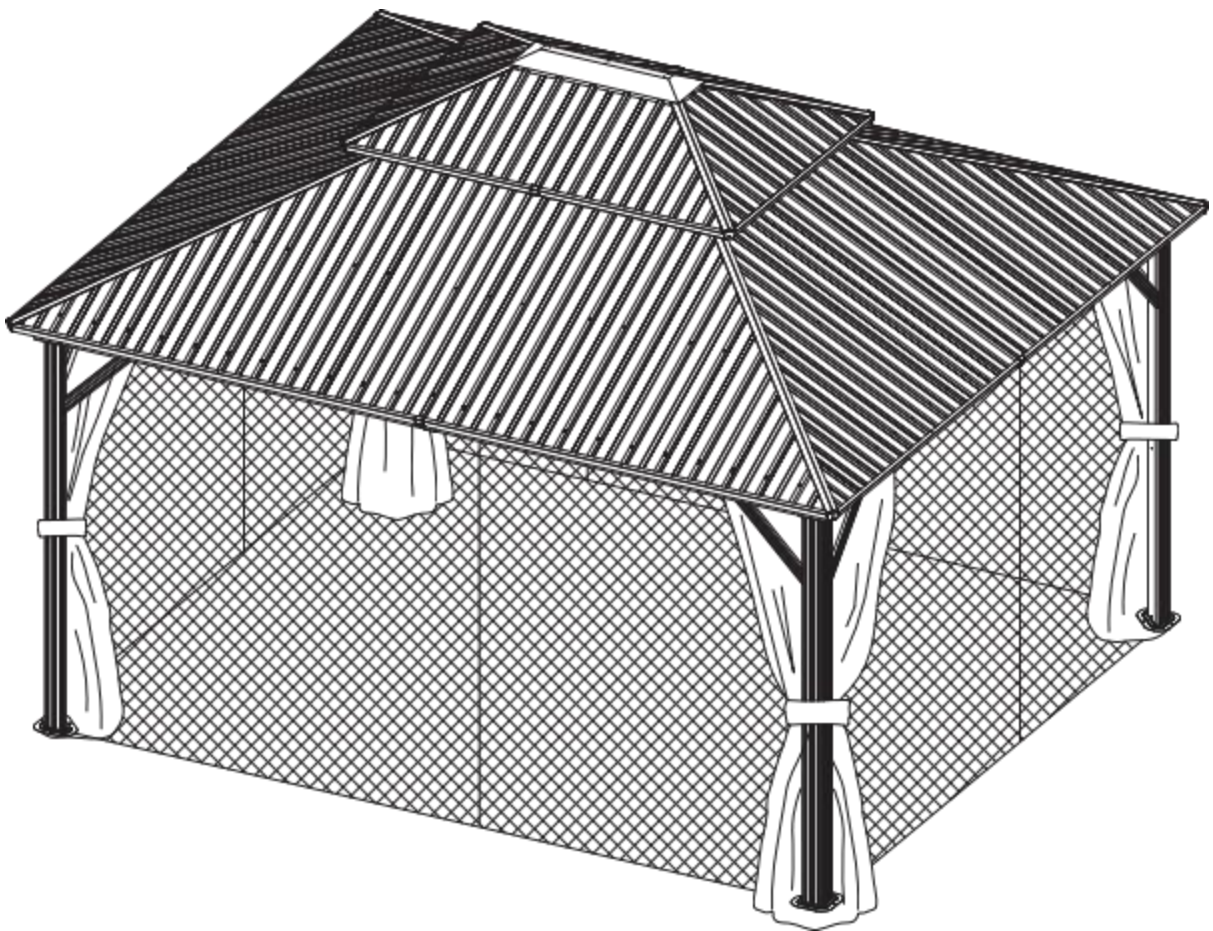


12' ×14' Metal Patio Gazebo

ASSEMBLY MANUAL



MODEL# : LGMF1589

Missing part? Damaged? Contact us via email at
domiservice01@outlook.com

Pre-assembly



1. Two or more people are required for assembly.



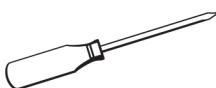
2. You will need one or more stepladders.



3. Wearing protective gloves is recommended.



4. You may need a safety hat.



5. Please use a Phillips screw driver.



6. For ease of construction, you may need a drill.



7. You may need a safety goggle.



8. Do not fully tighten screws prior to complete assembly.

Warning & Attention

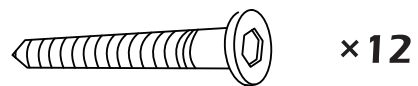
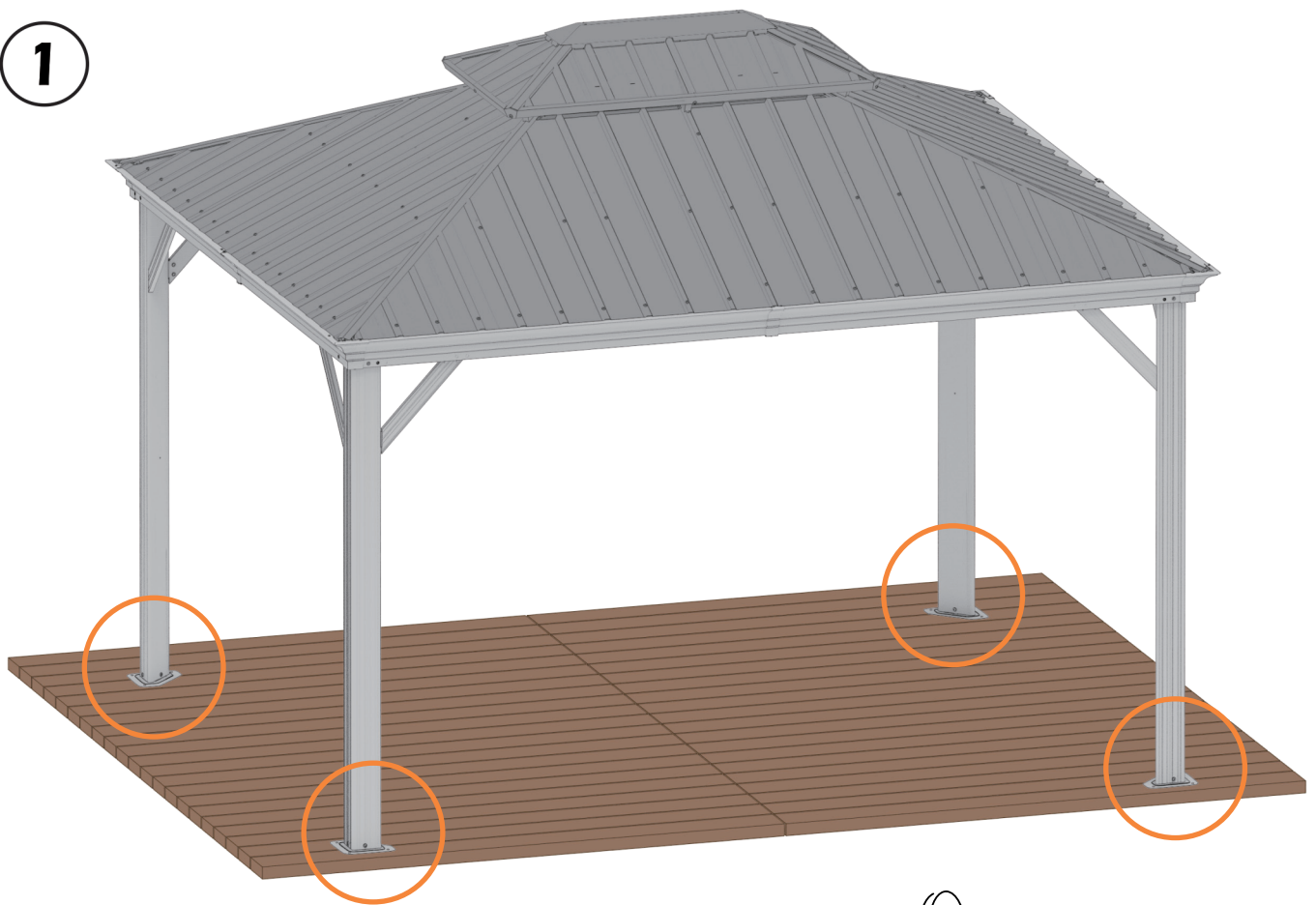
-Try to assemble this product on the flat ground, otherwise it is difficult to carry out;

-It would be much easier to assemble the product with three or more people;

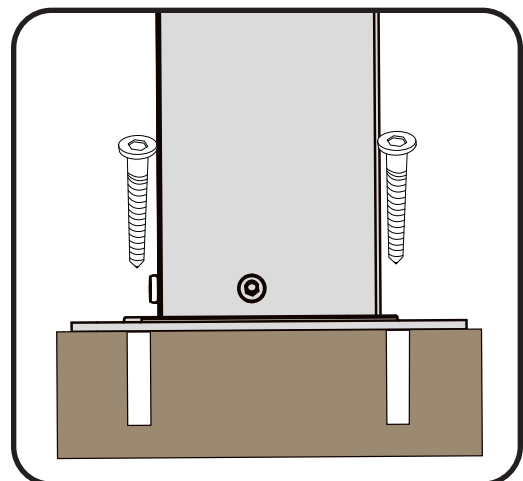
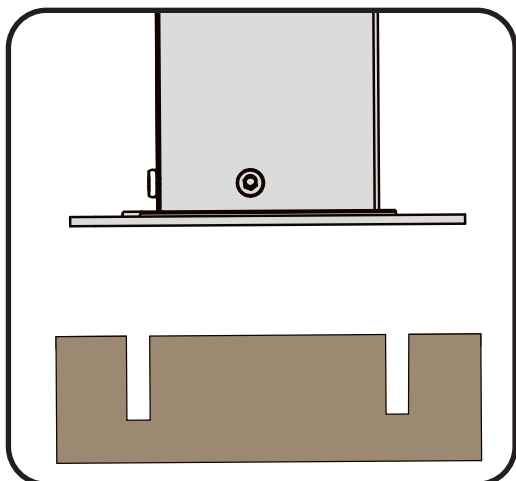
-After assembly, please check whether all screws are tightened, to prevent parts from falling apart.

▲ Use bolts to secure the frame to the ground to against the strong wind.

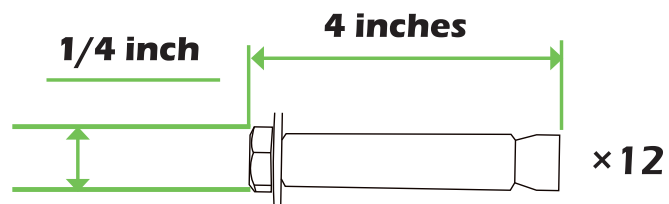
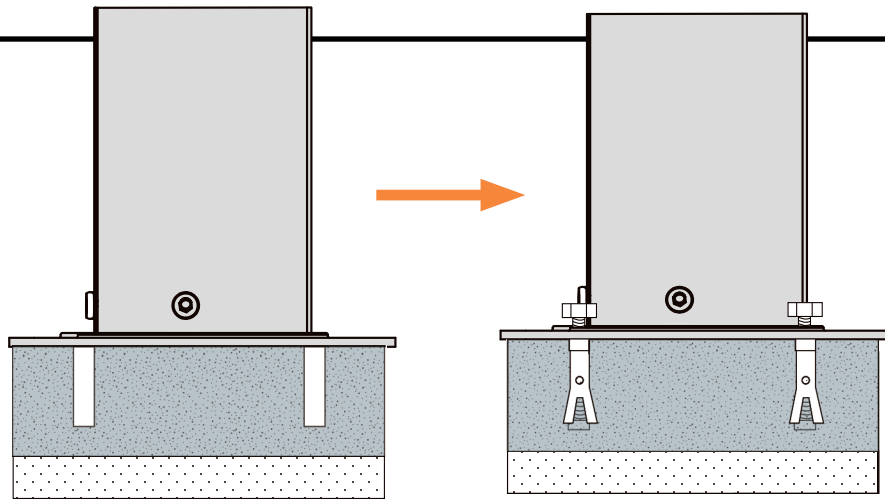
1



If the deck is hard wood and the depth of it is over 3 inch, you can use **5/16 in. x4 in. Structural Wood Screw** to mount the gazebo.

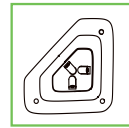
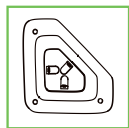
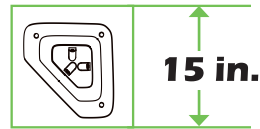
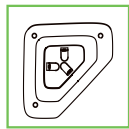


2



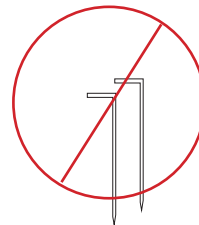
If the ground is concreted and the depth of it is over 3 inch, you can use 1/4 inch expansion bolts to mount the gazebo

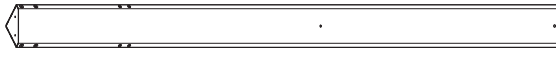
3



Or you can make a concrete footing for gazebo, **15×15×15 inches** is recommended. use expansion bolts to mount the pergola like (2) shows.

IMPORTANT:
Anchor is not recommended





A 4x Pole



C 2x Beam



C1 2x Beam



D 2x Beam



D1 2x Beam



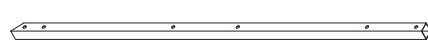
E 4x Corner Roof Bar



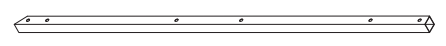
E1 4x Corner Roof Bar Connector



E2 4x Roof Bar



F 4x Solidfying Bar



G 2x Solidfying Bar



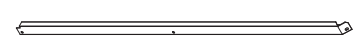
G1 2x Solidfying Bar



H 2x Finishing Bar



H1 2x Finishing Bar



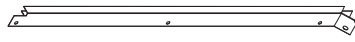
H2 2x Finishing Bar



J 2x Finishing Bar



J1 2x Finishing Bar



J2 2x Finishing Bar



K 2x Finishing Bar



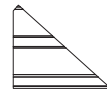
K1 2x Finishing Bar



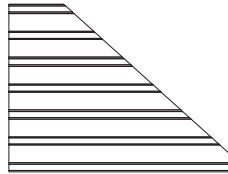
K2 2x Finishing Bar



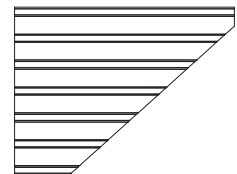
K3 2x Finishing Bar



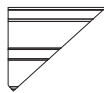
L1 2x Roof Panel



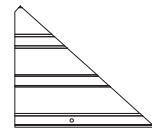
L2 2x Roof Panel



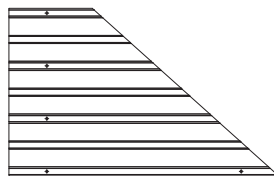
L3 2x Roof Panel



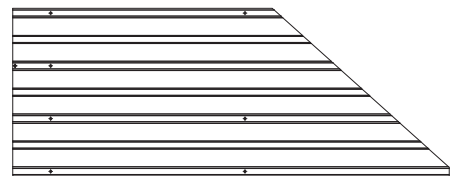
L4 2x Roof Panel



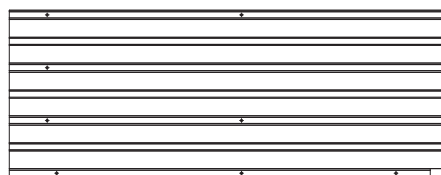
M1 2x Roof Panel



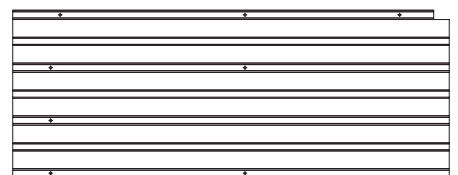
M2 2x Roof Panel



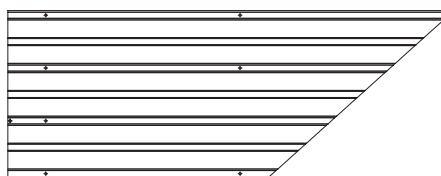
M3 2x Roof Panel



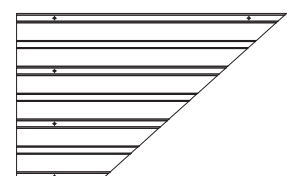
M4 2x Roof Panel



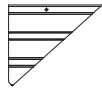
M5 2x Roof Panel



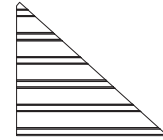
M6 2x Roof Panel



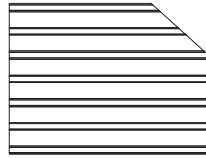
M7 2x Roof Panel



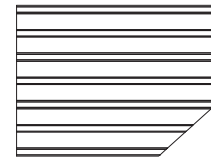
M8 2x Roof Panel



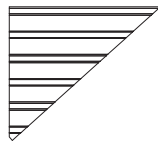
N1 2x Roof Panel



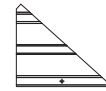
N2 2x Roof Panel



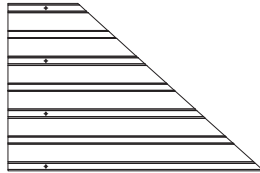
N3 2x Roof Panel



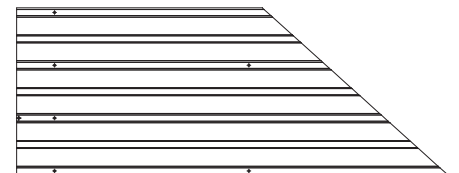
N4 2x Roof Panel



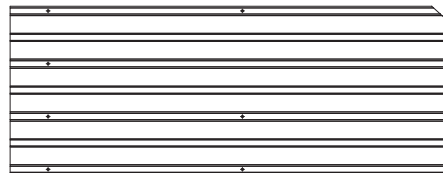
P1 2x Roof Panel



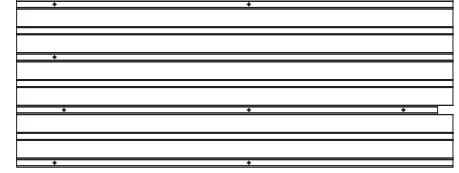
P2 2x Roof Panel



P3 2x Roof Panel



P4 2x Roof Panel



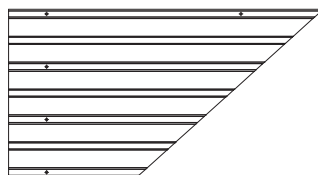
P5 2x Roof Panel



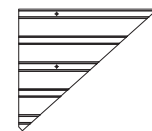
P6 2x Roof Panel



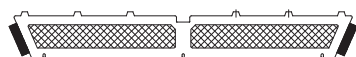
P7 2x Roof Panel



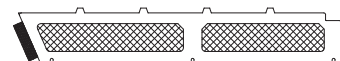
P8 2x Roof Panel



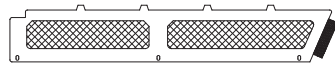
P9 2x Roof Panel



Q 2x Net Frame



Q1 2x Net Frame



Q2 2x Net Frame



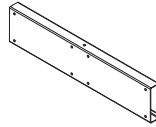
B 4x Base



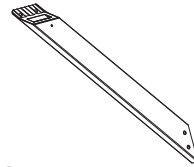
B1 8x Joint Cover



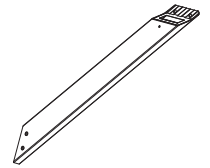
B2 8x Joint Cover



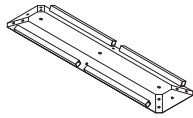
C2 4x Union Bar



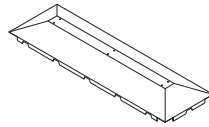
R 4x Corner Solidifying Bar



R1 4x Corner Solidifying Bar



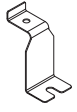
S 1x Inside Roof Connector



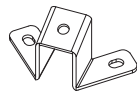
S1 1x Outside Roof Connector



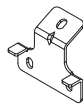
T 3x J-Hook



T1 4x Bracket



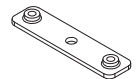
U 4x Bracket



U1 4x Bracket



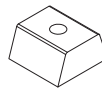
U2 4x Bracket



U3 4x Joint Cover



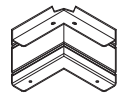
V 120x Hook



W 126x Spacer



X 4x Bracket



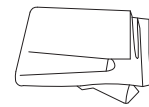
X1 4x Corner Cover



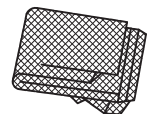
X2 6x Finishing End



X3 12x Finishing End



Y 4x Solid Sidewall



Y1 4x Mosquito Sidewall



Z 76x Plastic Bracket



Z1 4x Plastic Bracket



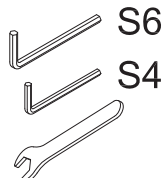
Z2 4x Plastic Bracket



Z3 2x Plastic Bracket



Z4 2x Plastic Bracket



1 1x



ST6.3x15

2 12x



ST5x16

3 24x



M6x15

4 32x



M6

5 130x



M5x12

6 16x



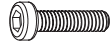
M6x10

7 20x



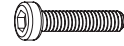
M6x16

8 188x



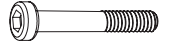
M6x25

9 8x



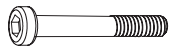
M6x28

10 80x



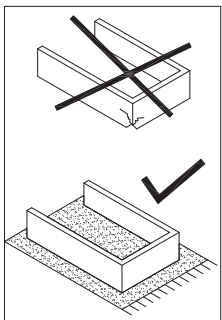
M6x45

11 4x


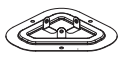
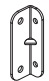
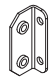





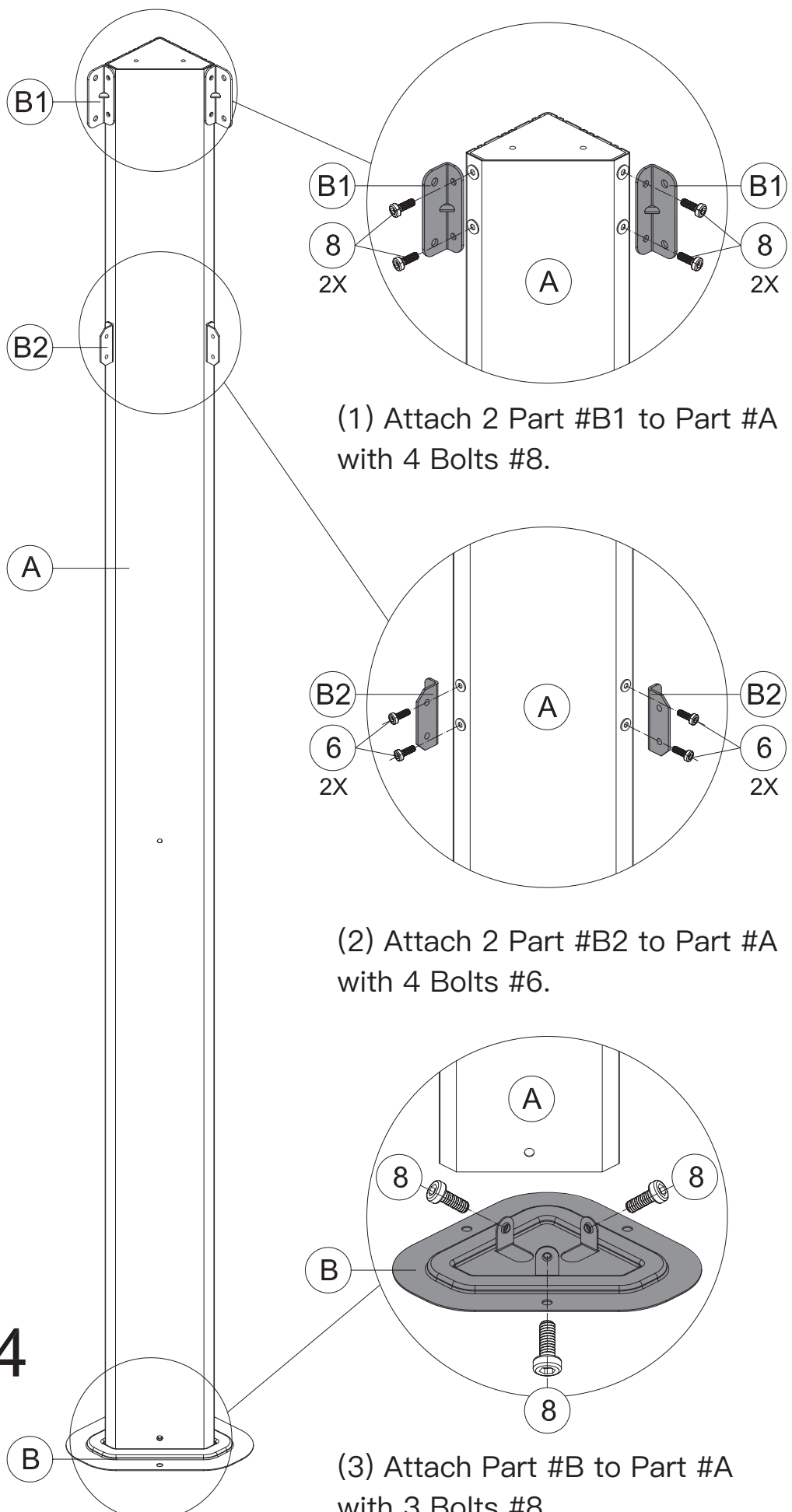
M6x50

12 34x


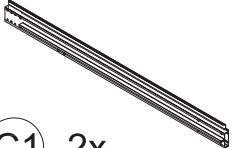



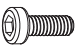


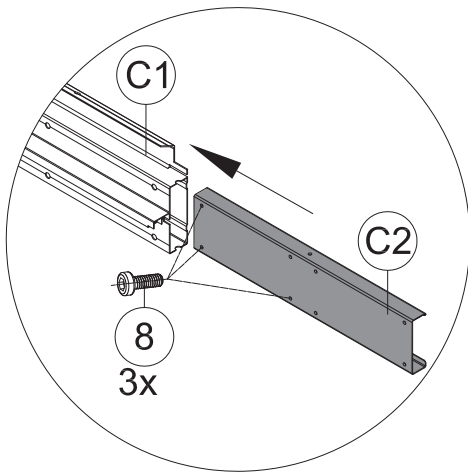
6

	A 4x
	B 4x
	B1 8x
	B2 8x
	1 1x S4
	6 16x M5x12
	8 28x M6x16
7	

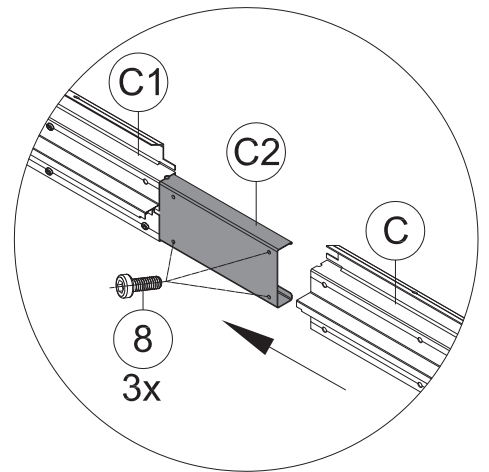


X4

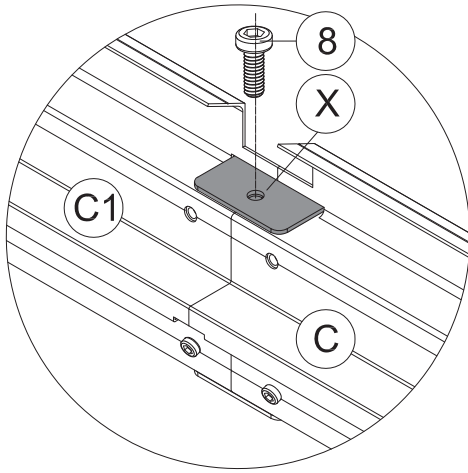
-  **C** 2x
-  **C1** 2x
-  **C2** 2x
-  **X** 2x
-  **1** 1x
-  **8** 20x
M6x16
- 8**



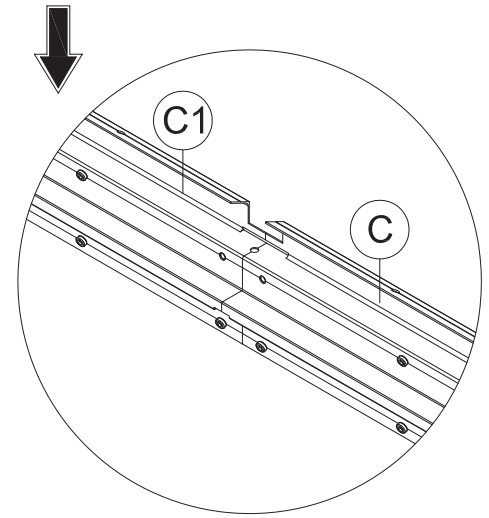
(1) Insert Part #C2 into Part #C1 and secure with 3 Bolts #8.



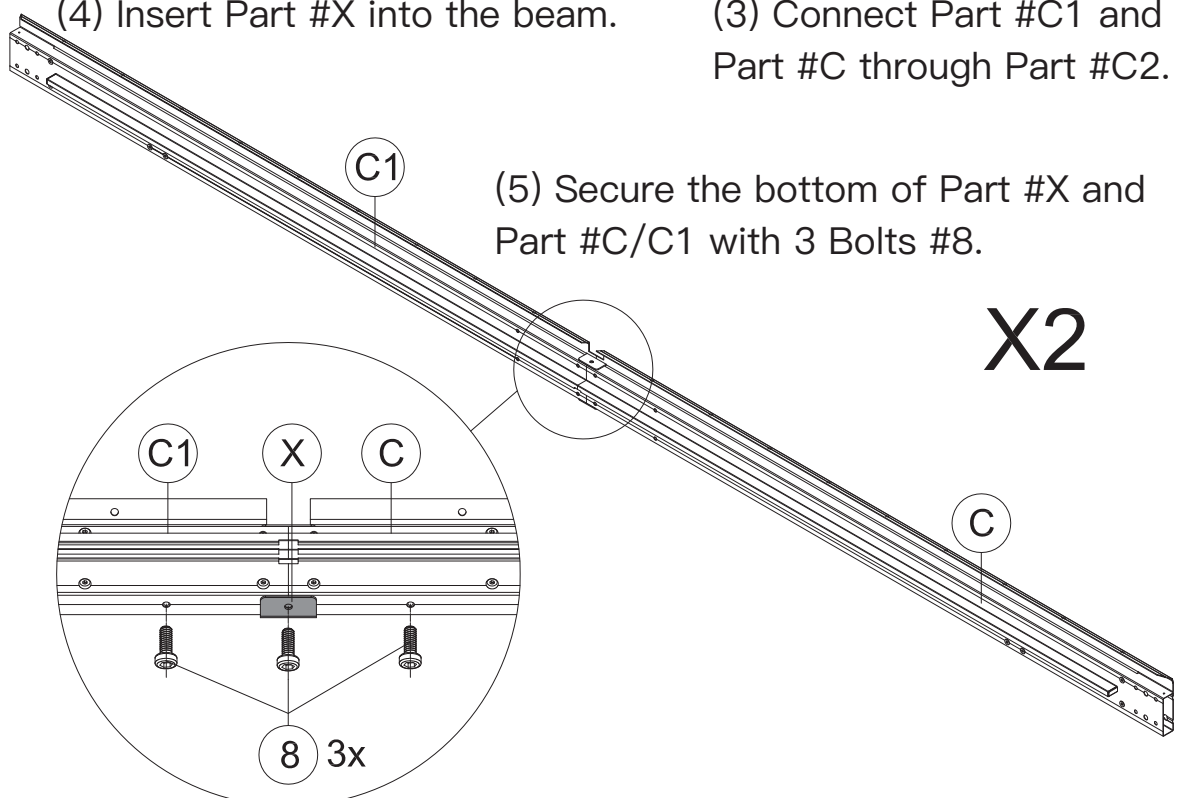
(2) Insert the other side of Part #C2 into Part #C and secure with 3 Bolts #8.



(4) Insert Part #X into the beam.



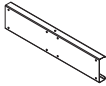




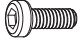
(3) Connect Part #C1 and Part #C through Part #C2.

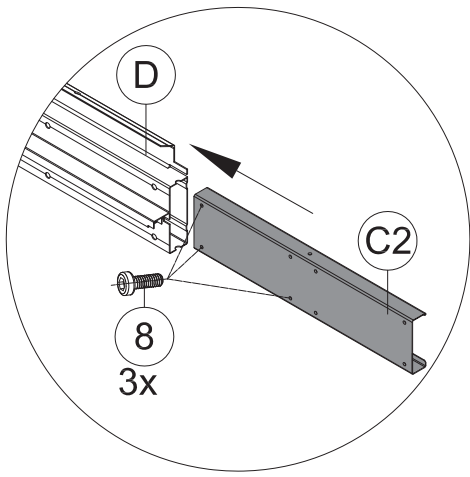


(5) Secure the bottom of Part #X and Part #C/C1 with 3 Bolts #8.

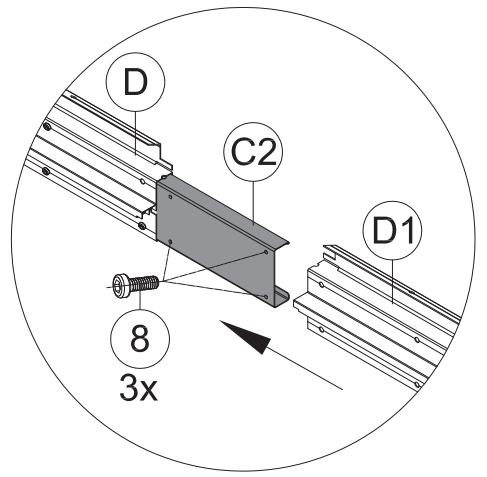
X2

(6) Repeat the above procedures to assemble the other Part #C and Part #C1.

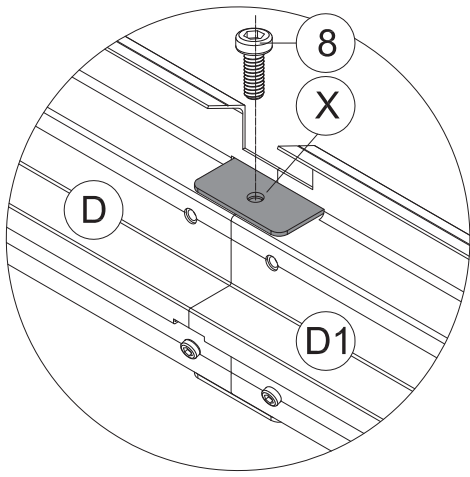
-  **C2** 2x
-  **D** 2x
-  **D1** 2x
-  **X** 2x
-  **1** 1x
-  **8** 20x
M6x16



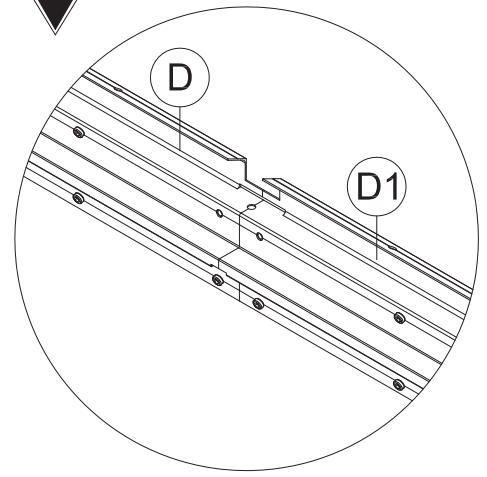
(1) Insert Part #C2 into Part #D, and secure with 3 Bolts #8.



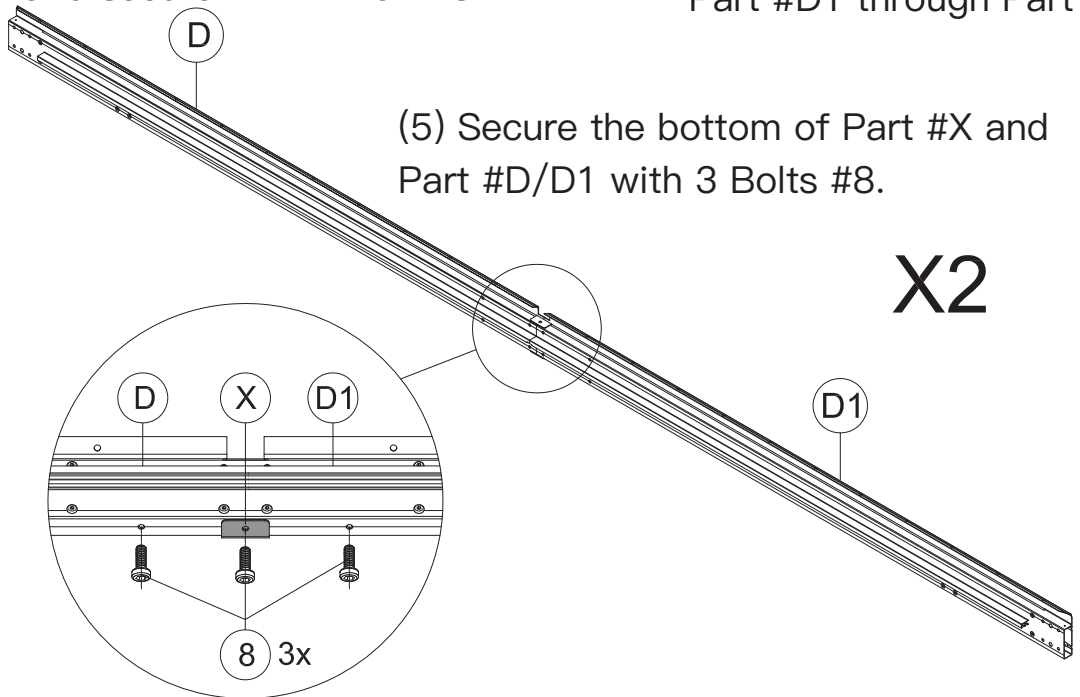
(2) Insert the other side of Part #C2 into Part #D1 and secure with 3 Bolts #8.



(4) Insert Part #X into the beam and secure with 1 Bolt #8.



(3) Connect Part #D and Part #D1 through Part #C2.



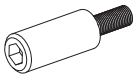
(5) Secure the bottom of Part #X and Part #D/D1 with 3 Bolts #8.

X2

(6) Repeat the above procedures to assemble the other Part #D and Part #D1.

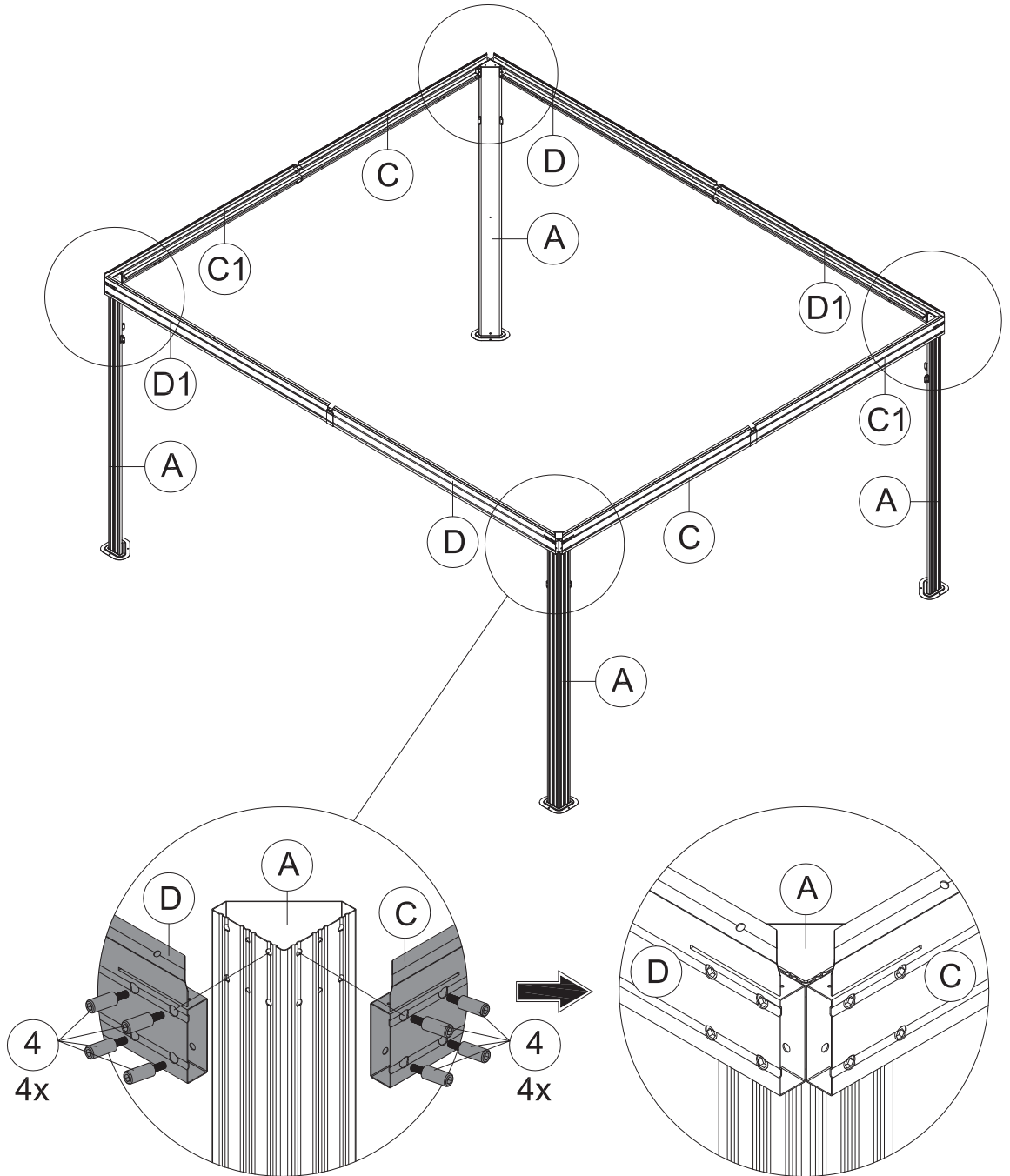


1 1x



M6x15

4 32x



(1) Connect Part #C/C1 and #D/D1 to Part #A with 8 Bolts #4.
(From Outside)

(2) Repeat the above procedures to assemble the other 3 corners.

▲ Please don't tighten all bolts.

✓ S4

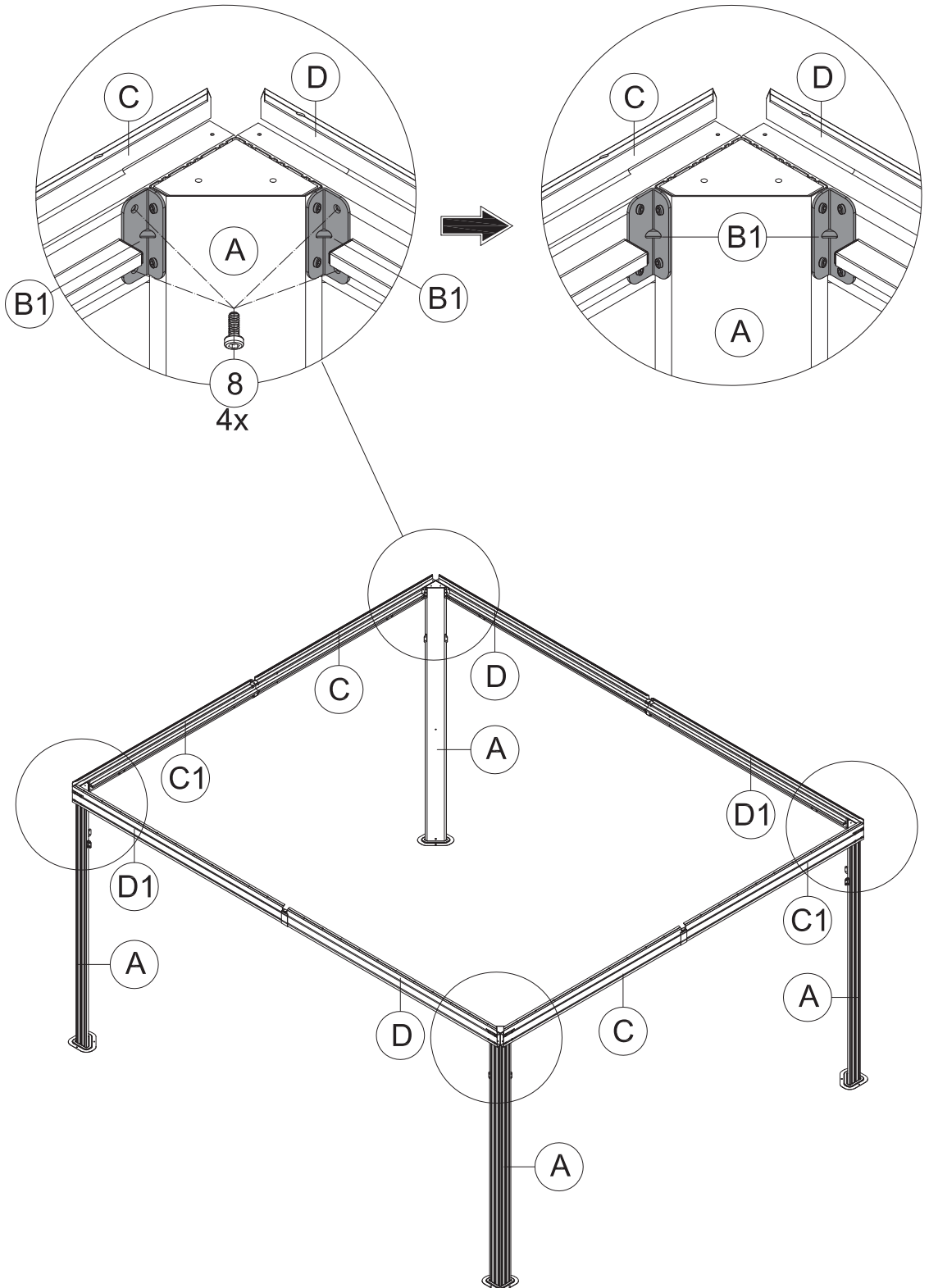
1 1x



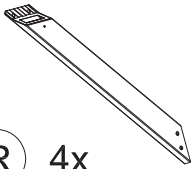
M6x16

8 16x

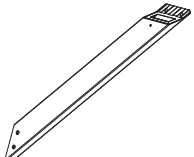
(1) Connect Part #C/C1 and #D/D1 to Part #A with 4 Bolts #8.
(From Inside)



(2) Repeat the above procedures to assemble the other 3 corners.
▲ Please don't tighten all bolts.



R 4x



R1 4x



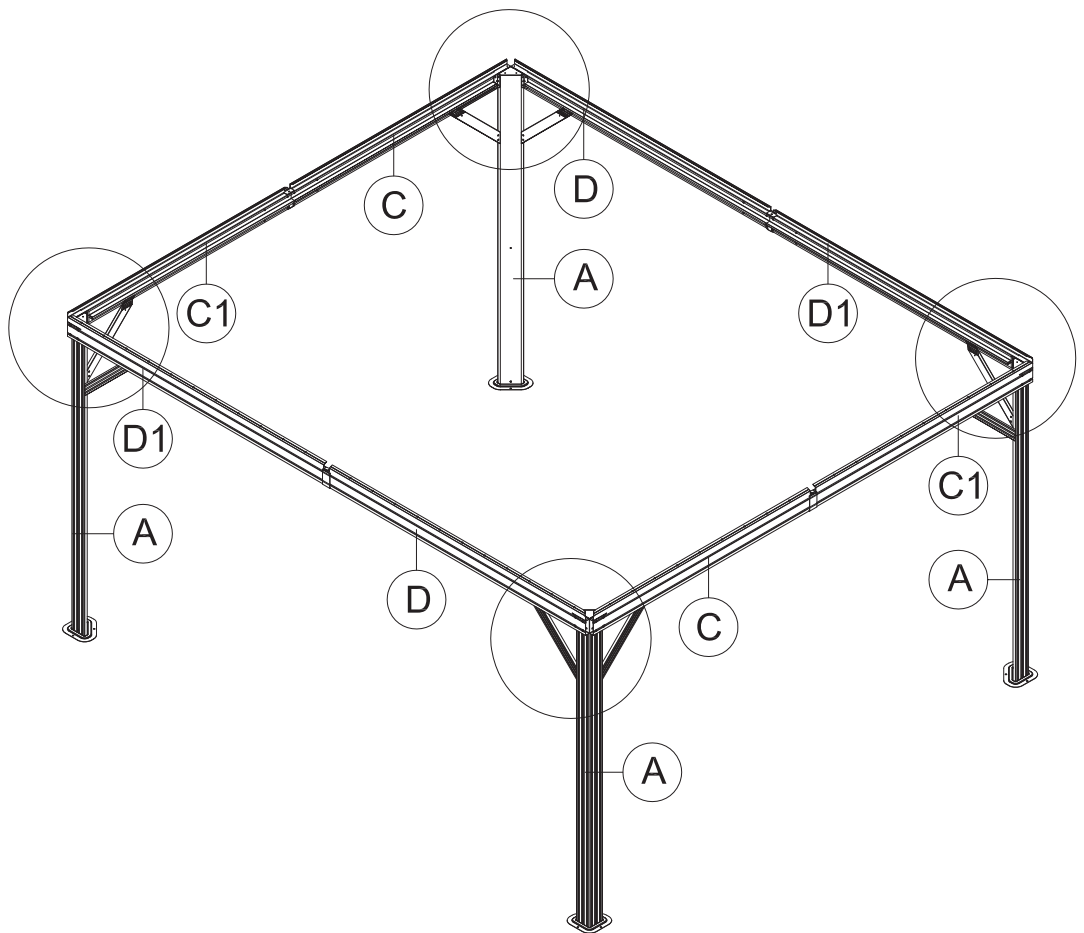
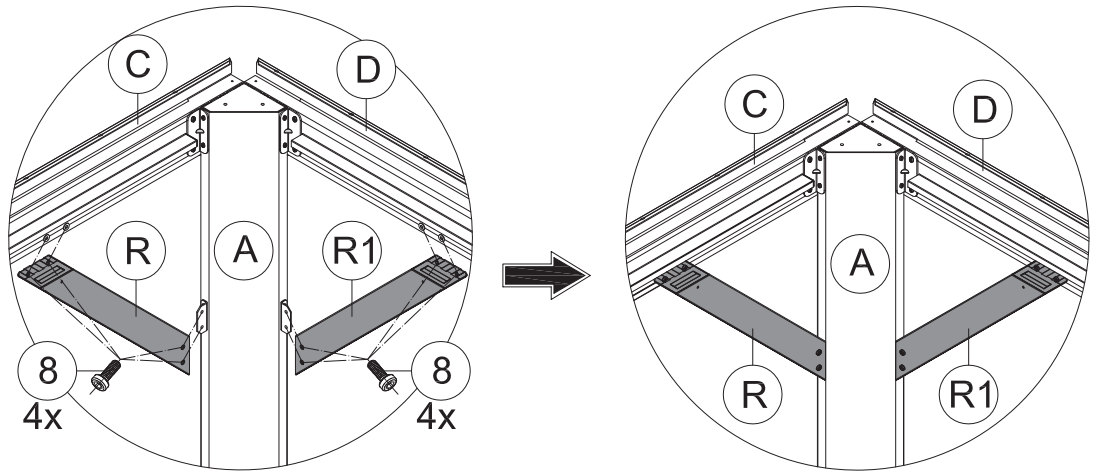
1 1x



M6x16

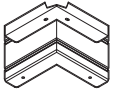
8 32x

(1) Affix Part #R and Part #R1 to the frame with 8 Bolts #8.



(2) Repeat the above procedures to assemble the other 3 corners.

▲ Please don't tighten all bolts.

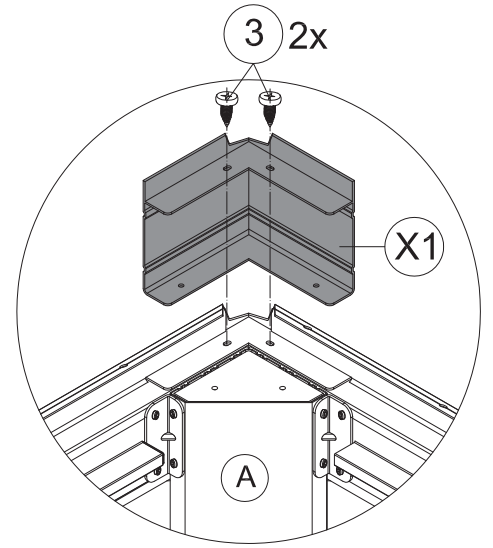
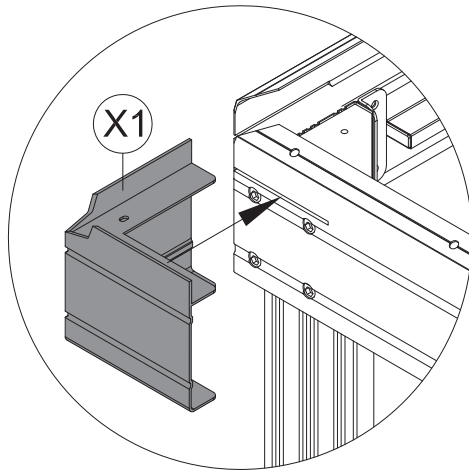


X1 4x



ST5x16

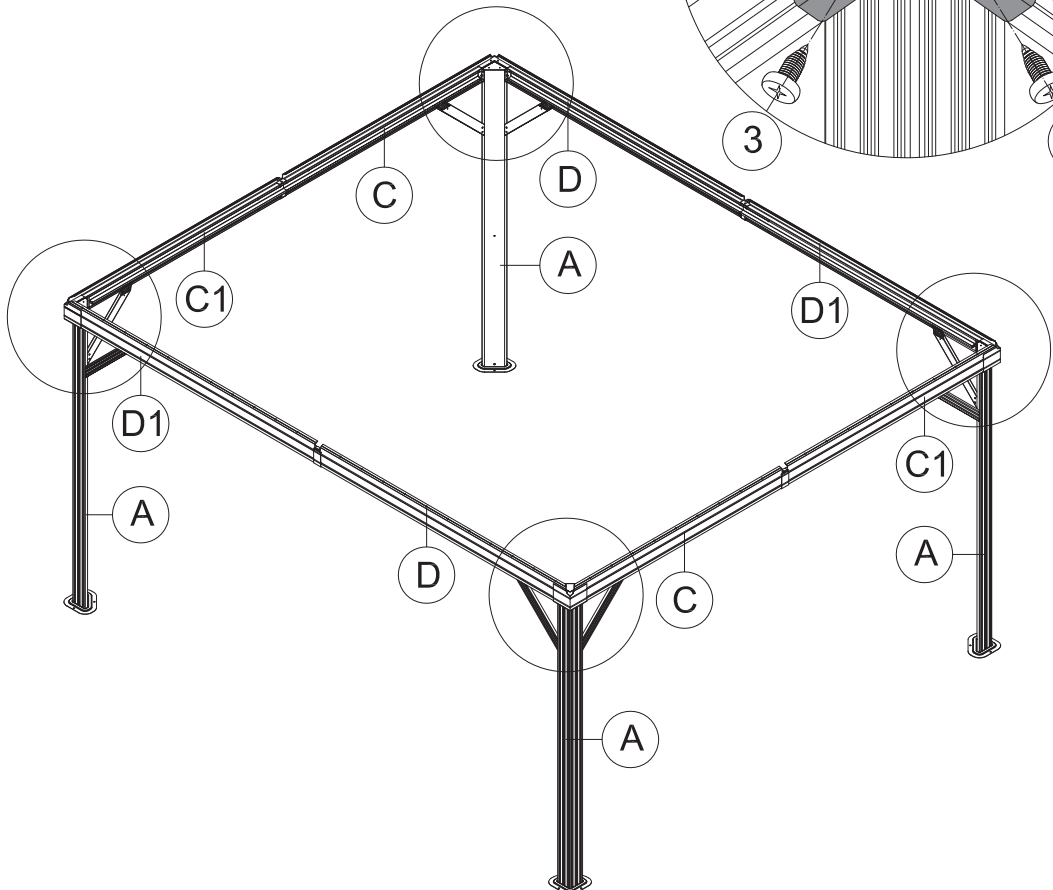
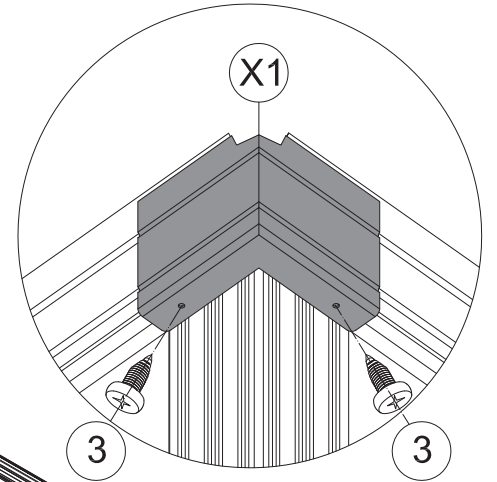
3 16x



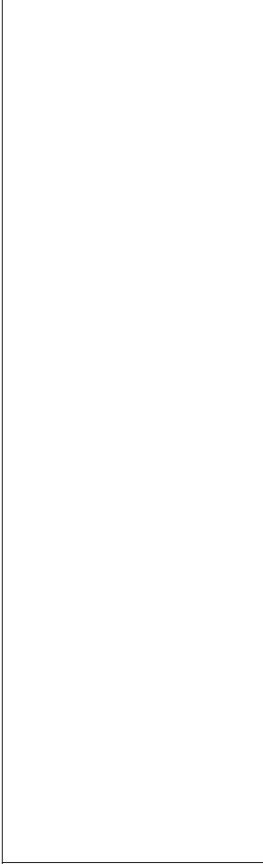
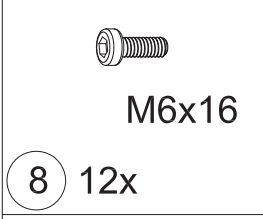
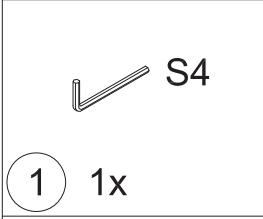
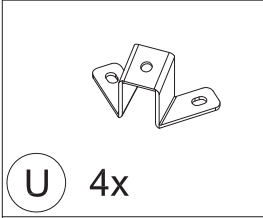
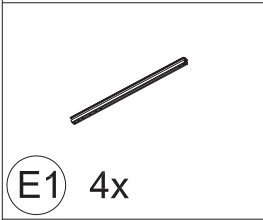
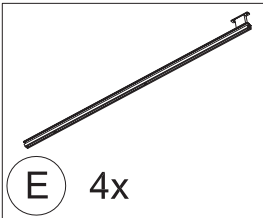
(1) Cover the corner with Part #X1. (2) Secure with 2 Self-tapping Screws #3. (from top to bottom)



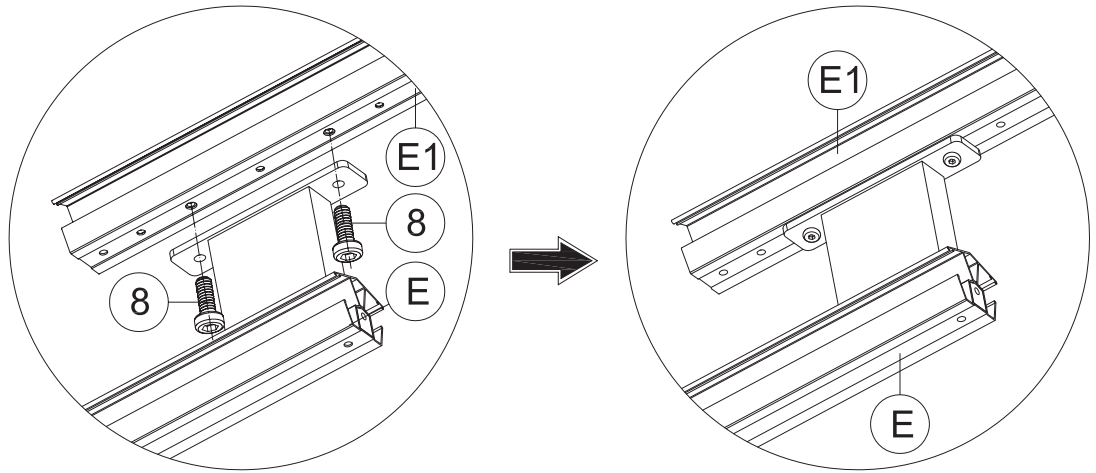
(3) Secure with 2 Self-tapping Screws #3. (from bottom to top)



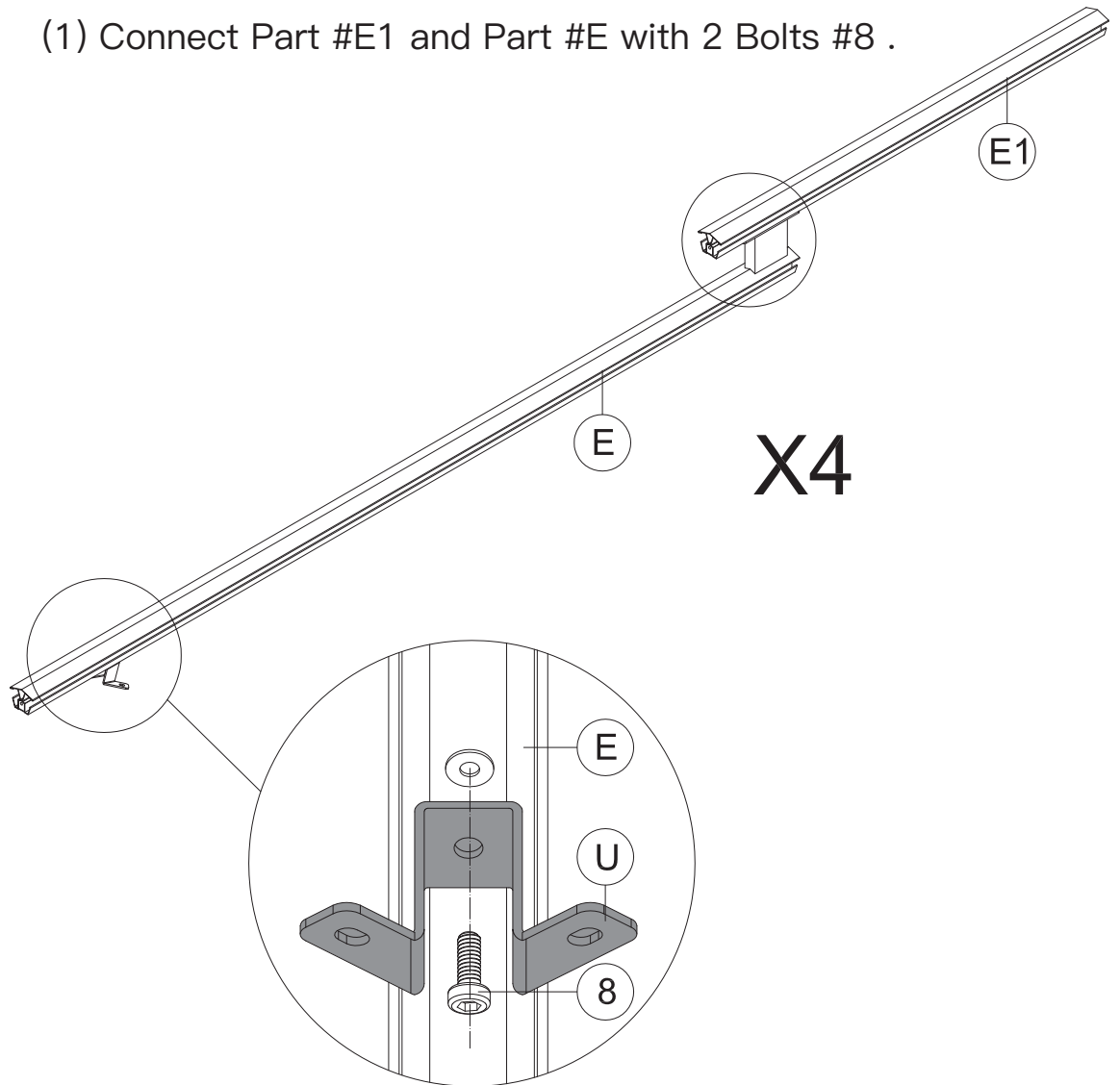
(4) Repeat the above procedures to assemble the other 3 corners. **▲ Tighten all bolts.**



Assemble the 4 Corner Roof Bars:

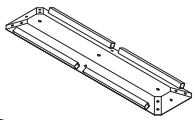


(1) Connect Part #E1 and Part #E with 2 Bolts #8 .



(2) Attach Part #U to Part #E with Bolt #8 .

(3) Repeat the above procedures to assemble the other 3 corner roof bars.



S 1x



1 1x



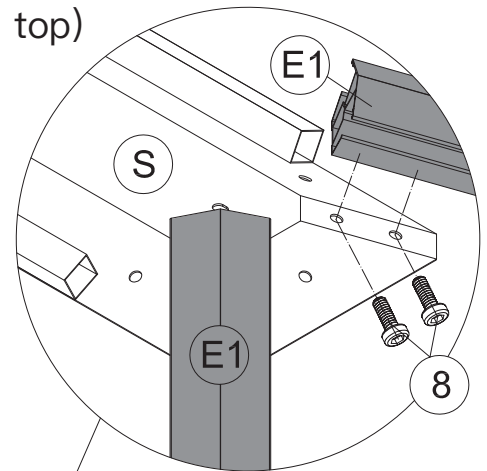
M6x16

8 16x

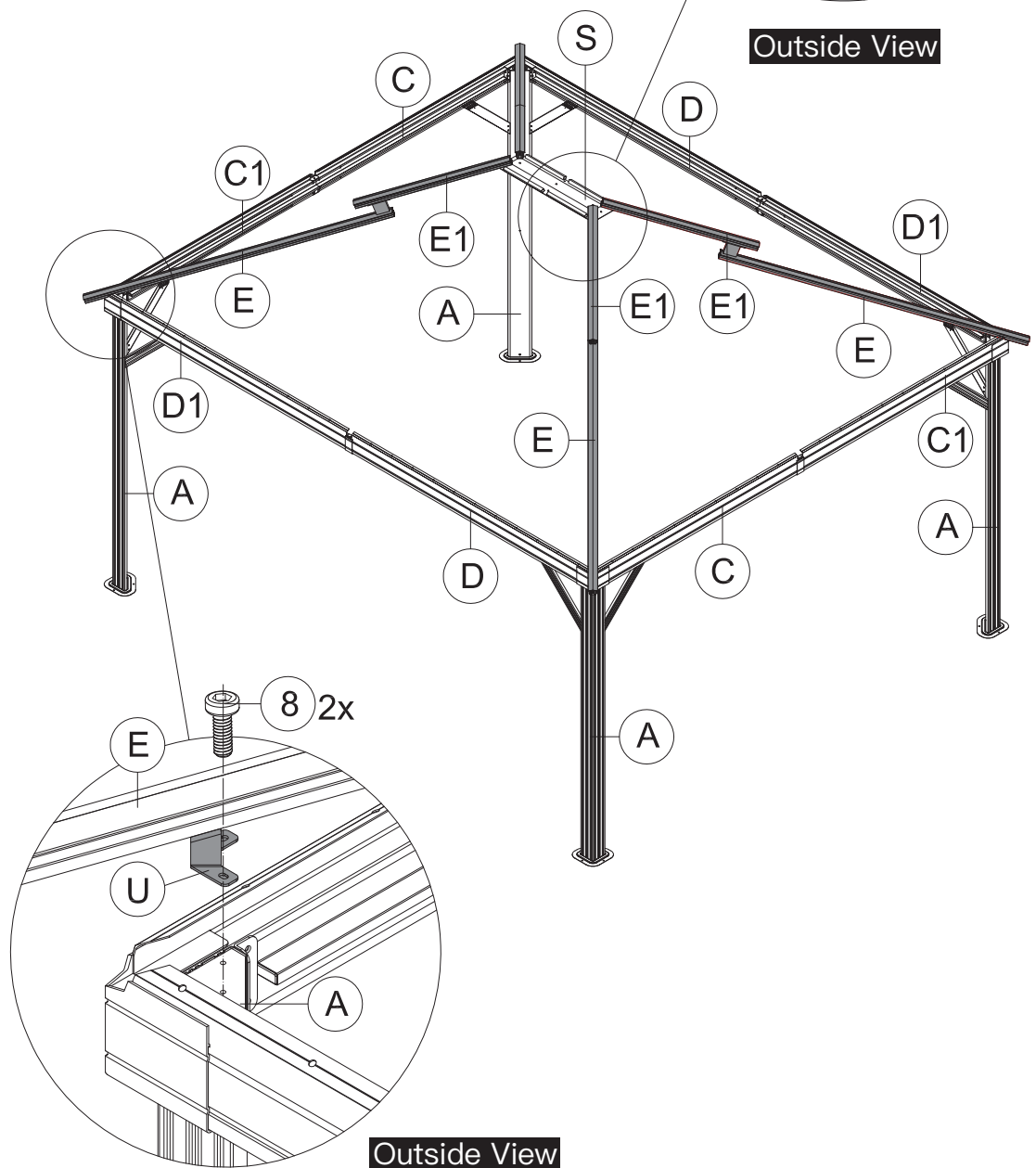
Please have a freestanding ladder ready at the center of the gazebo.

(1) Place 4 Part #E1 on the 4 corners of Part #S.
Secure with 8 Bolts #8 (from bottom to top)

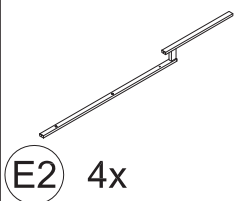
ATTENTION: You can also finish this step on the ground and then lift 4 corner roof bar and inside roof connector to the top together. (Need 2 people and 2 ladder)



Outside View



(2) Place 4 Part #E on 4 Part #A; Secure with 8 Bolts #8.



E2 4x



U1 4x

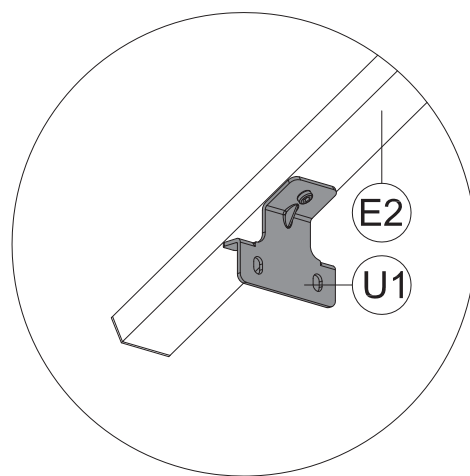
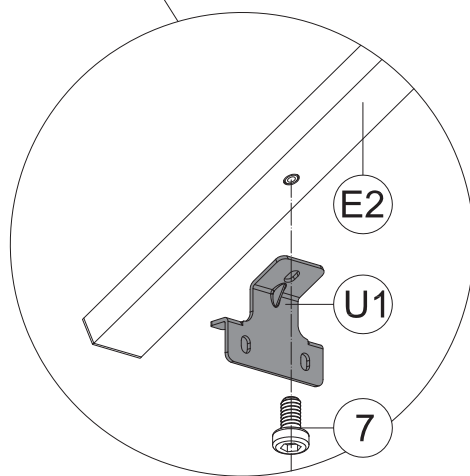
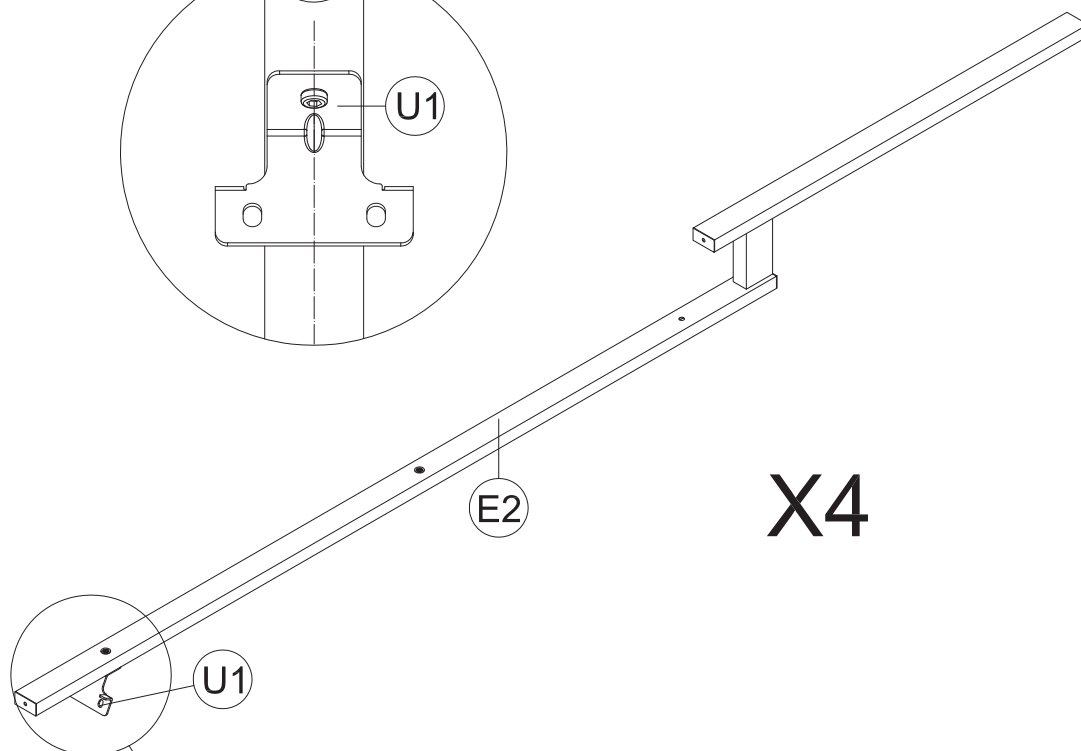
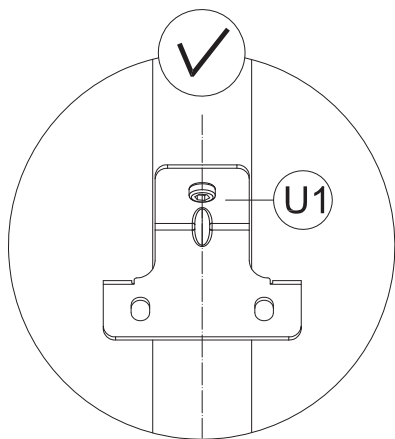
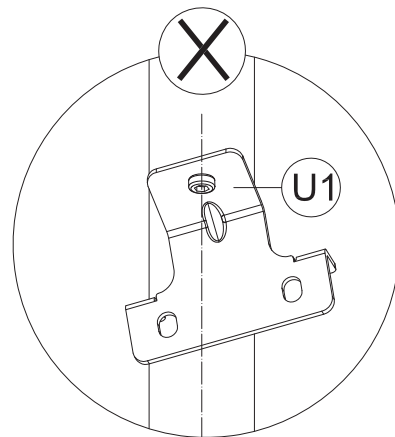
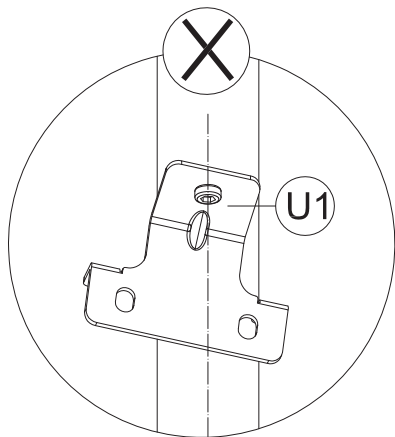


1 1x



M6x10

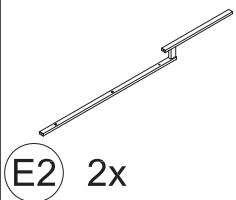
7 4x



16

(1) Attach Part #U1 to Part #E2 with Bolt #7 .

(2) Repeat the above procedures to assemble the other 3 roof bars.



E2 2x



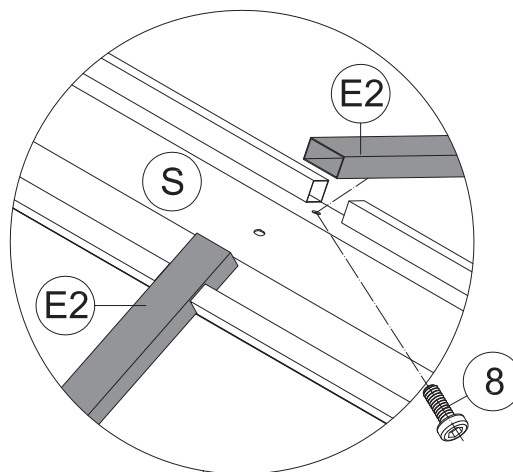
S4

1 1x



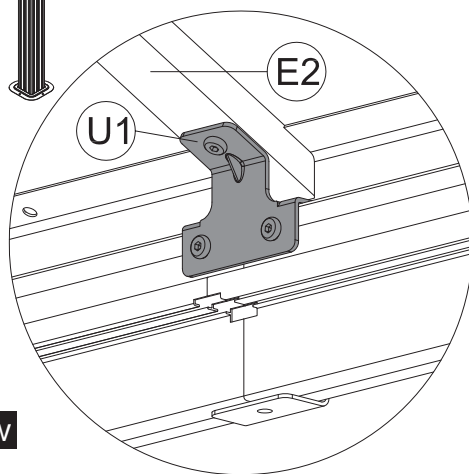
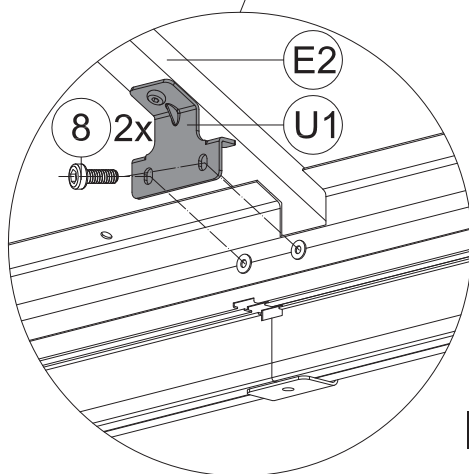
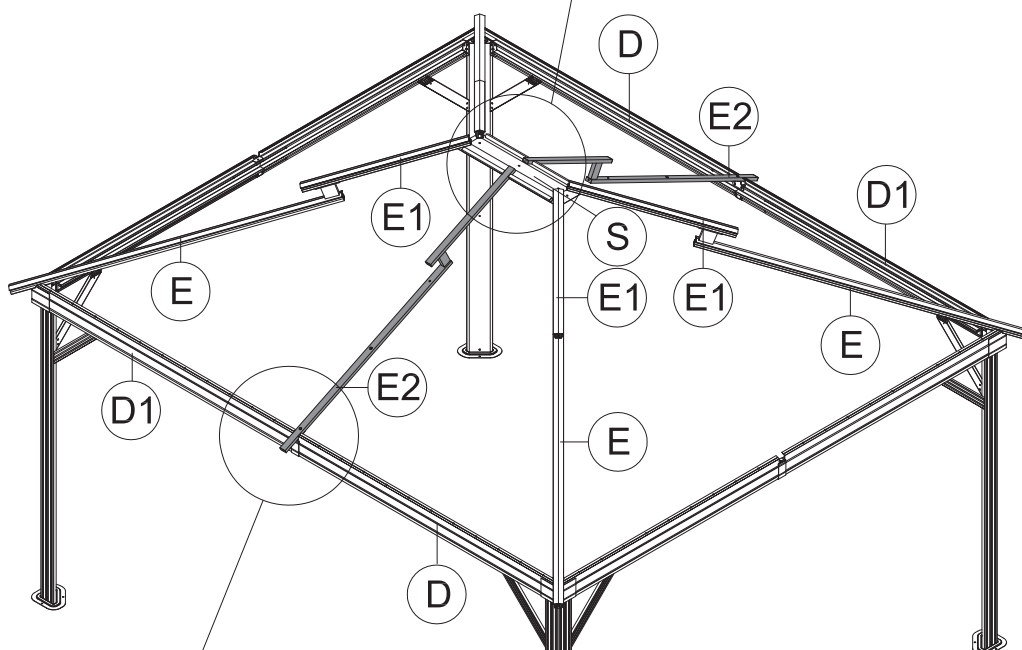
M6x16

8 6x



(1) Place Part #E2 on Part #S.
Secure with Bolt #8 (from bottom to top).

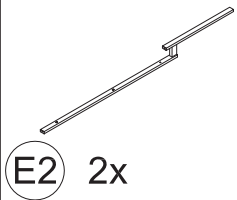
Outside View



Inside View

(2) Connect Part #E2 and the Assembled Beam(D&D1) with part #U1.
Secure with 2 Bolts #8.

(3) Repeat the above procedures to assemble the opposite side.



E2 2x



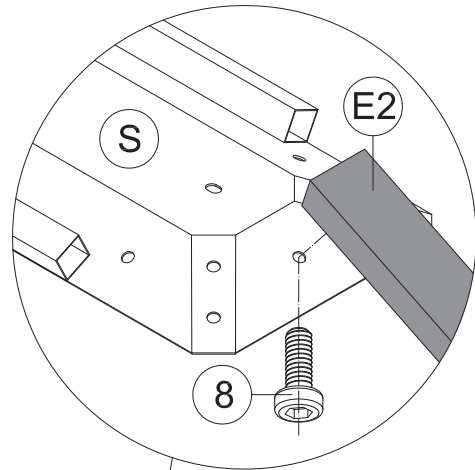
1 1x



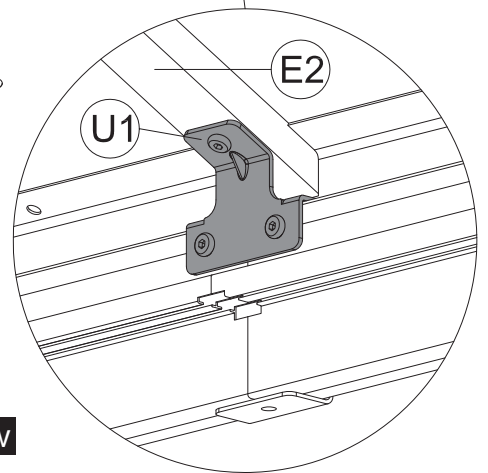
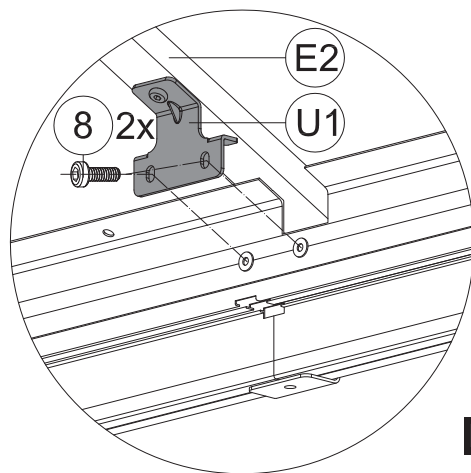
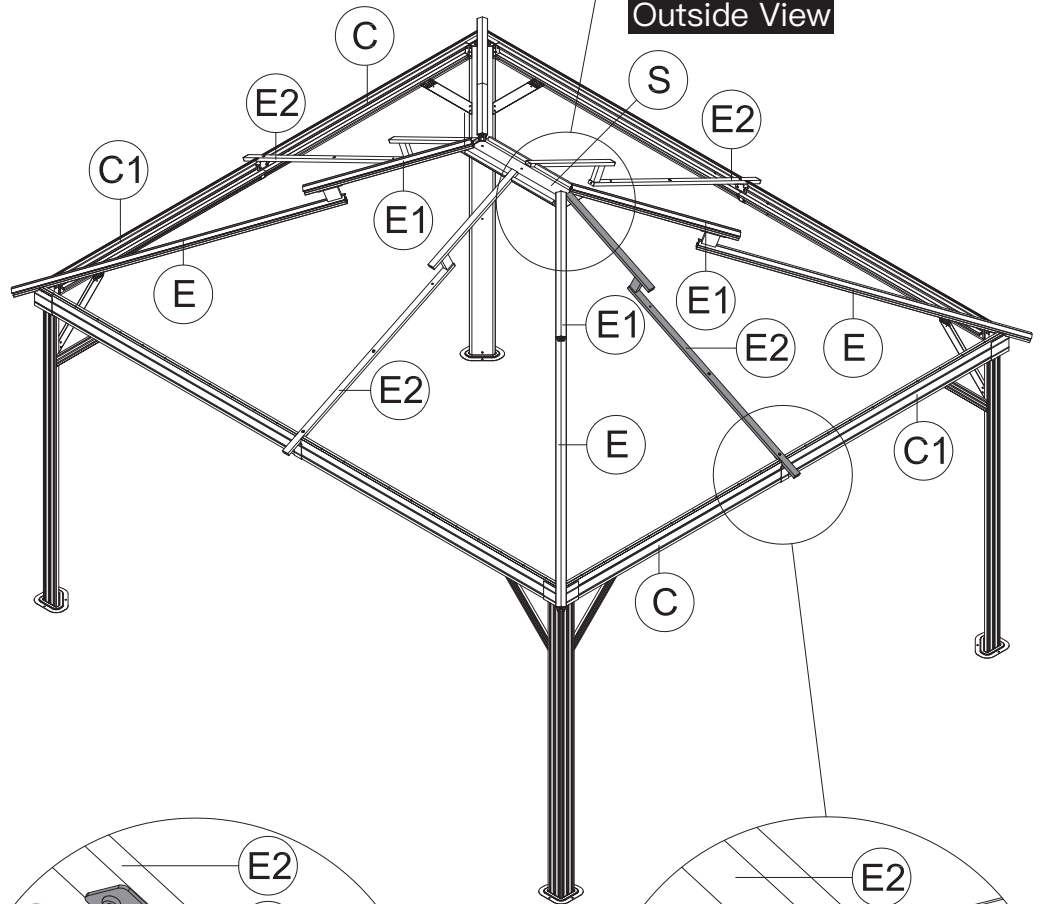
M6x16

8 6x

(1) Place Part #E2 on part #S. Secure with Bolt #8 (from bottom to top).



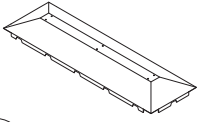
Outside View



Inside View

(2) Connect Part #E2 and the Assembled Beam(C&C1) with part #U1. Secure with 2 Bolts #8 .

(3) Repeat the above procedures to assemble the opposite side.

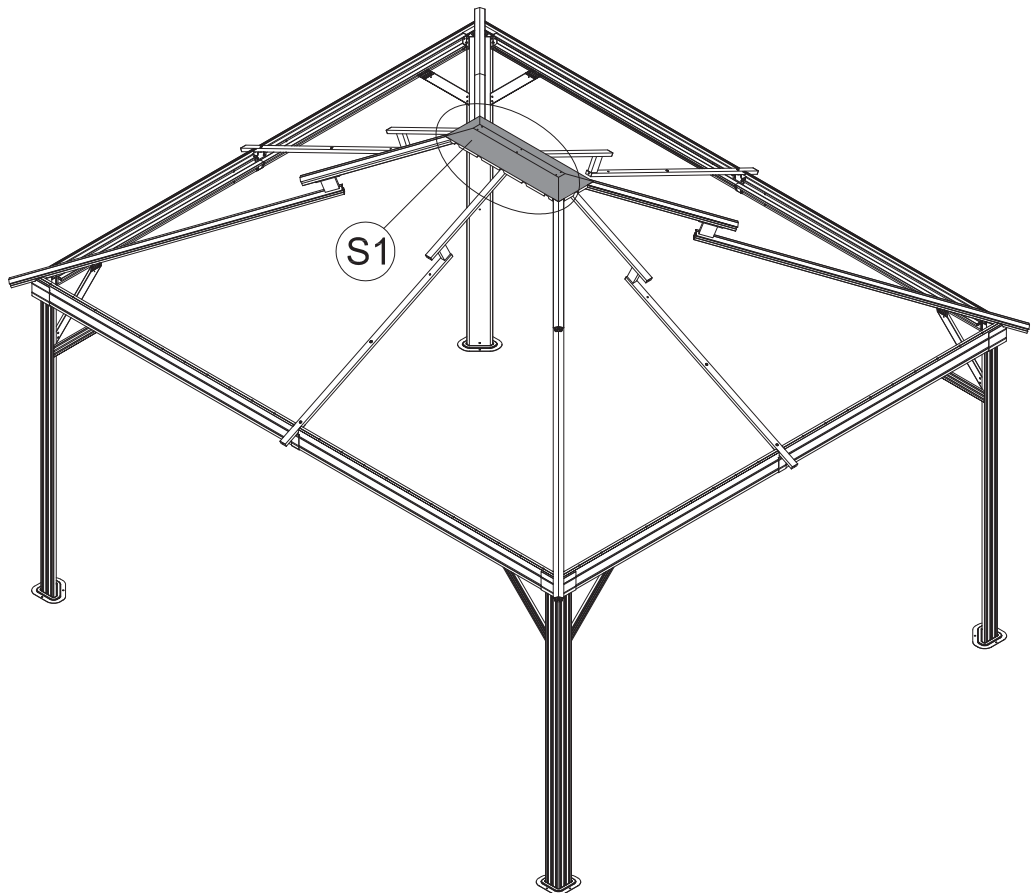
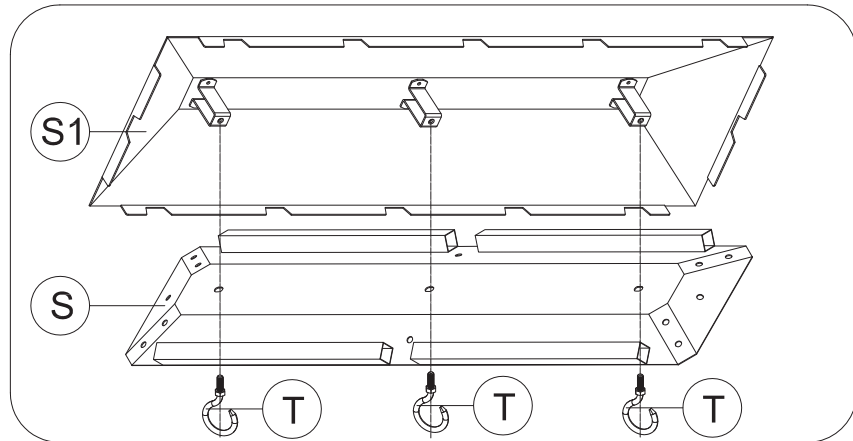


(S1) 1x

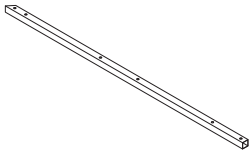


(T) 3x

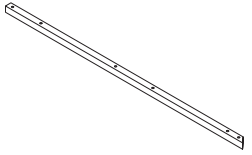
Secure Part #T to Part #S and Part #S1.
(From Bottom to Top)



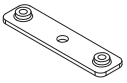
ATTENTION: The holes of Part #S and Part #S1 need to be aligned, on the same vertical line.



G 2x



G1 2x



U3 2x



1 1x



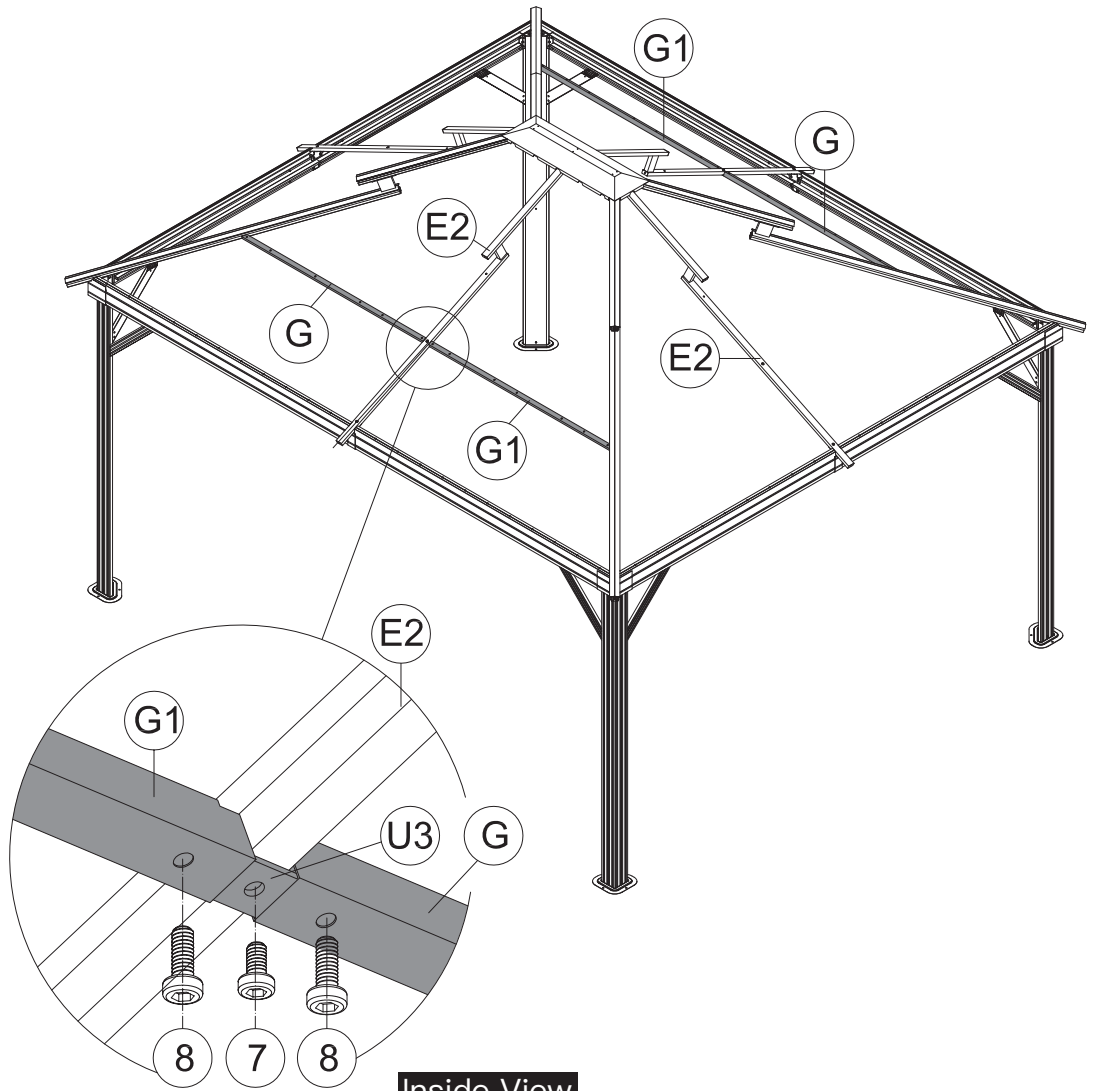
M6x10

7 2x



M6x16

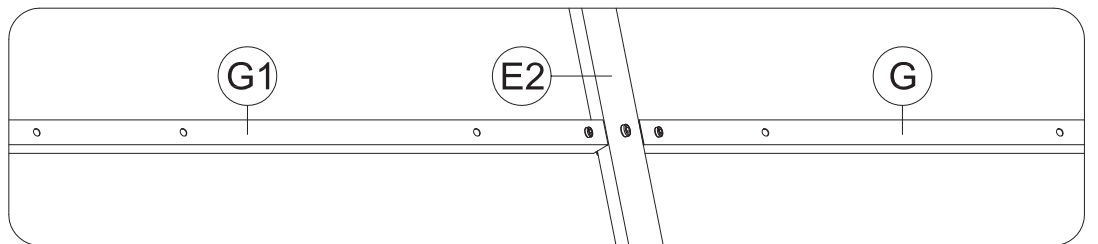
8 4x

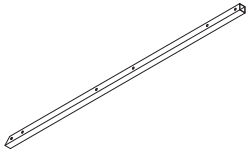


(1) Insert Part #U3 into Part #G and Part #G1.

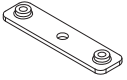
(2) Attach Part #G and Part #G1 to the Part #E2 with 1 Bolt #7 and 2 Bolts #8.

(3) Repeat the above procedures to assemble the opposite side.





F 4x



U3 2x



1 1x



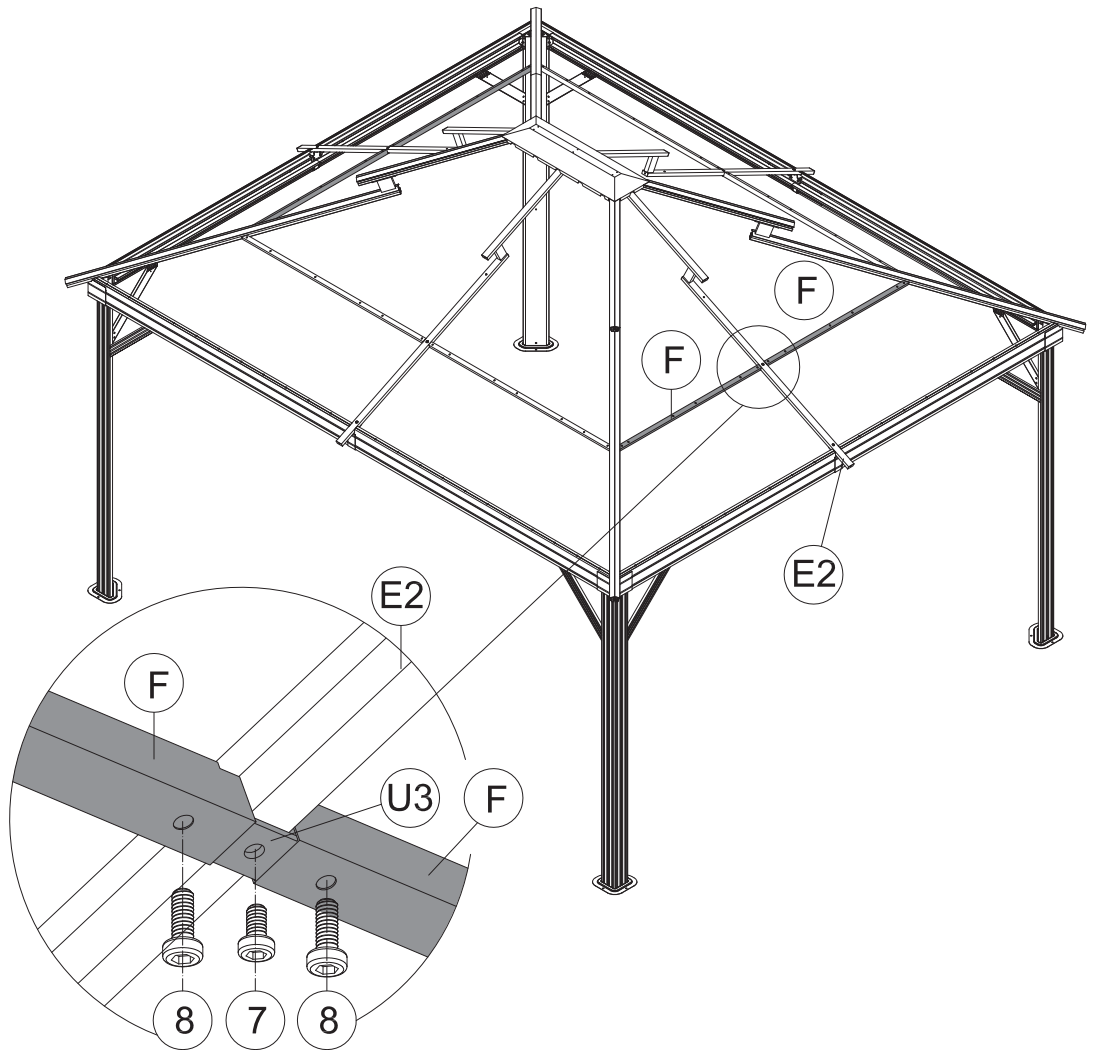
M6x10

7 2x



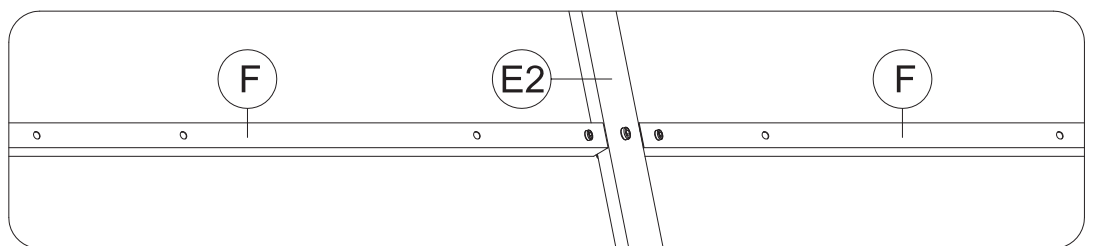
M6x16

8 4x



Inside View

- (1) Insert Part #U3 into 2 Part #F.
- (2) Attach Part #F to the Part #E2 with 1 Bolt #7 and 2 Bolts #8.
- (3) Repeat the above procedures to assemble the opposite side.



Outside View



U2 4x

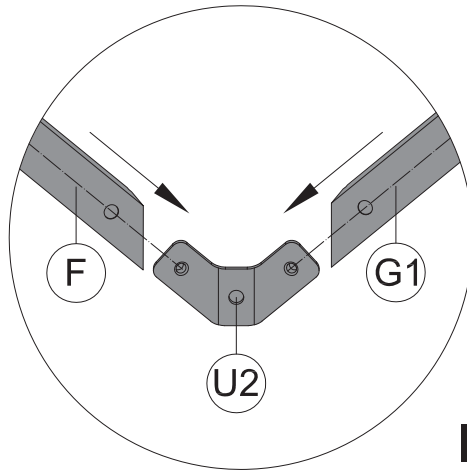


1 1x

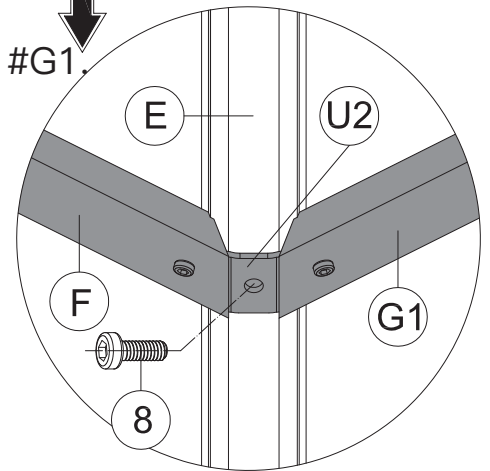
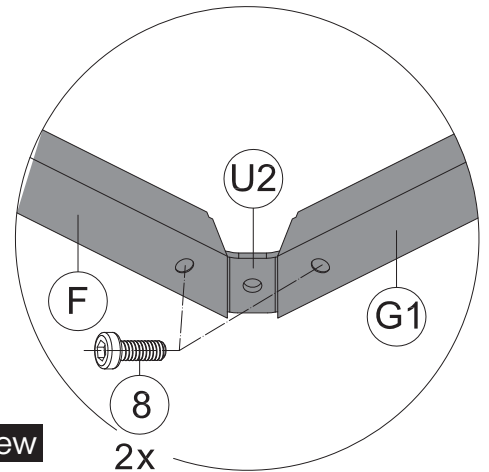


M6x16

8 12x



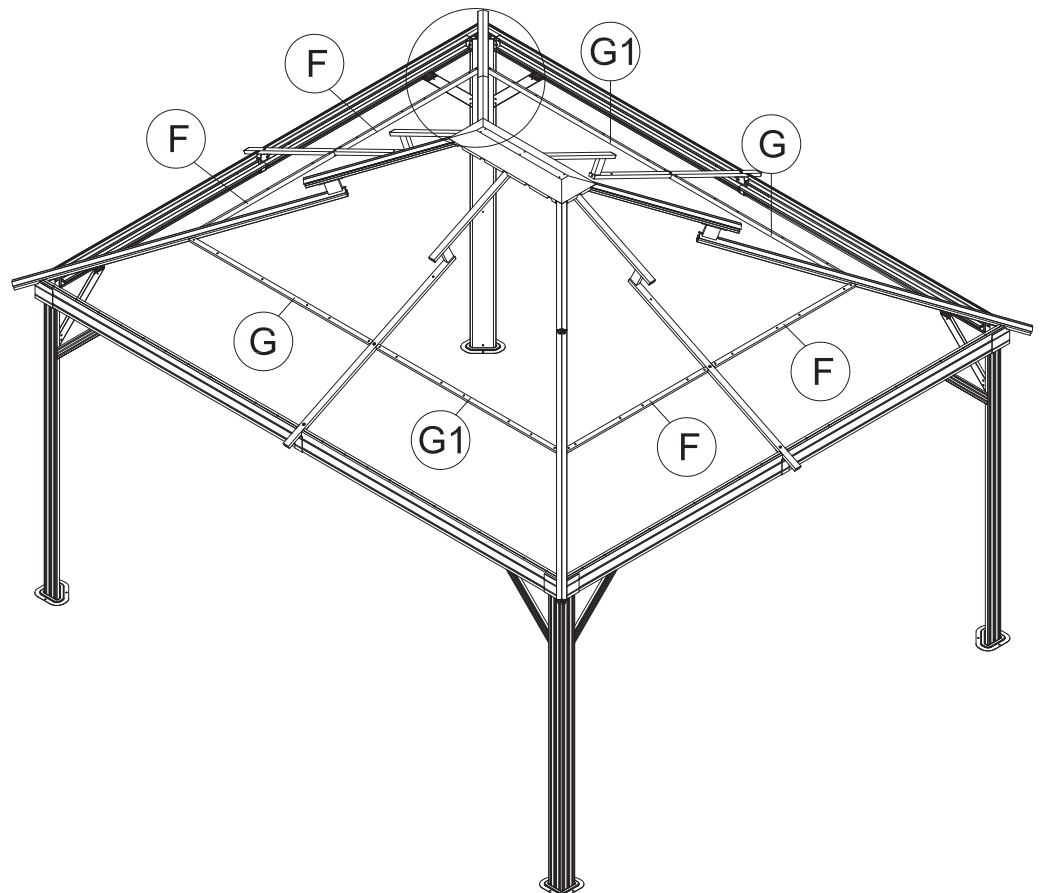
Inside View



(1) Insert Part #U2 into Part #F and Part #G1.

(2) Secure with 2 Bolts #8.

(3) Secure them to Part #E with Bolt #8.



(4) Repeat the above procedures to assemble the opposite sides.



U2 4x

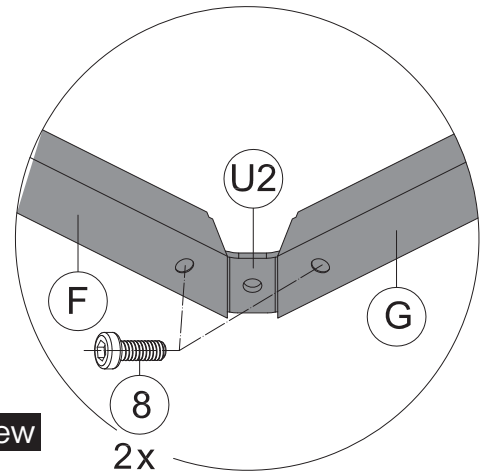
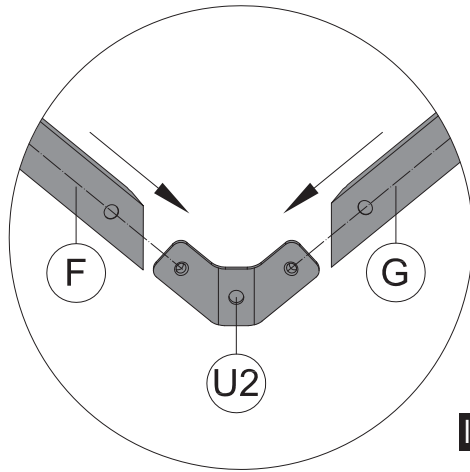


1 1x

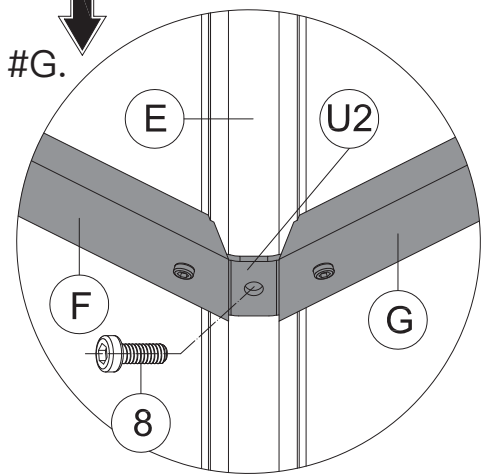


M6x16

8 12x



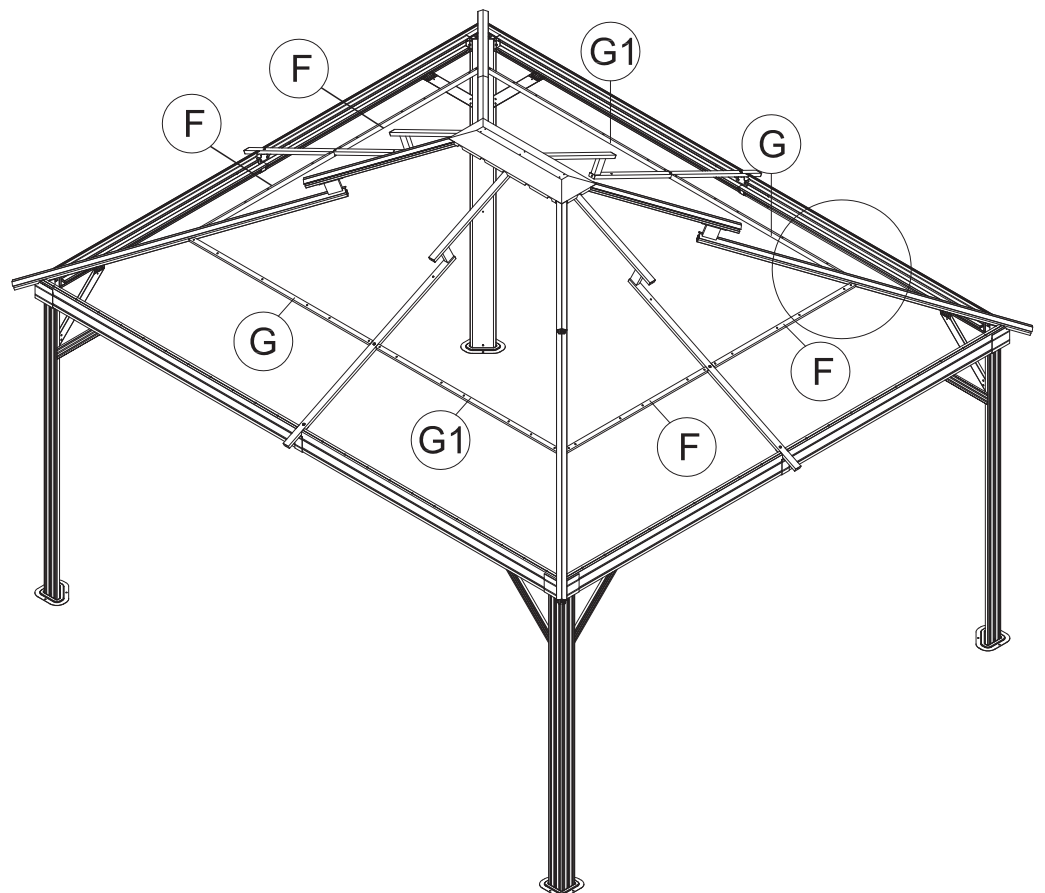
Inside View



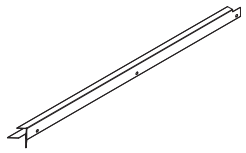
(1) Insert Part #U2 into Part #F and Part #G.

(2) Secure with 2 Bolts #8.

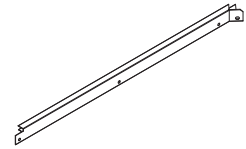
(3) Secure them to Part #E with Bolt #8.



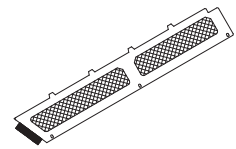
(4) Repeat the above procedures to assemble the opposite sides.



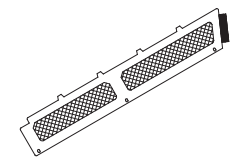
J1 2x



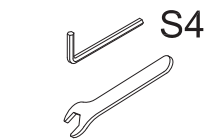
J2 2x



Q1 2x



Q2 2x



1 1x



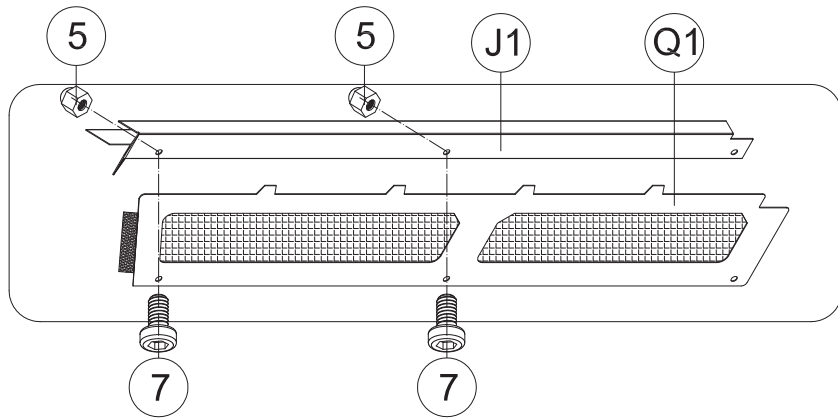
5 8x



7 8x

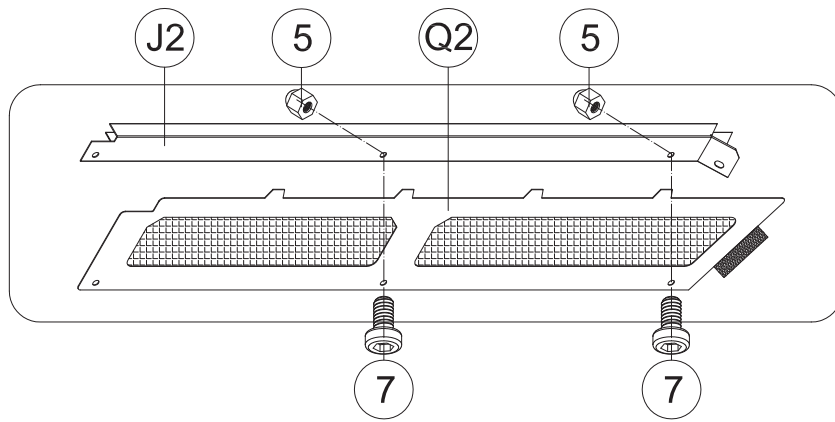
24

(1) Connect Part #J1 and Part #Q1 with 2 Bolts #7 and 2 Nuts #5.

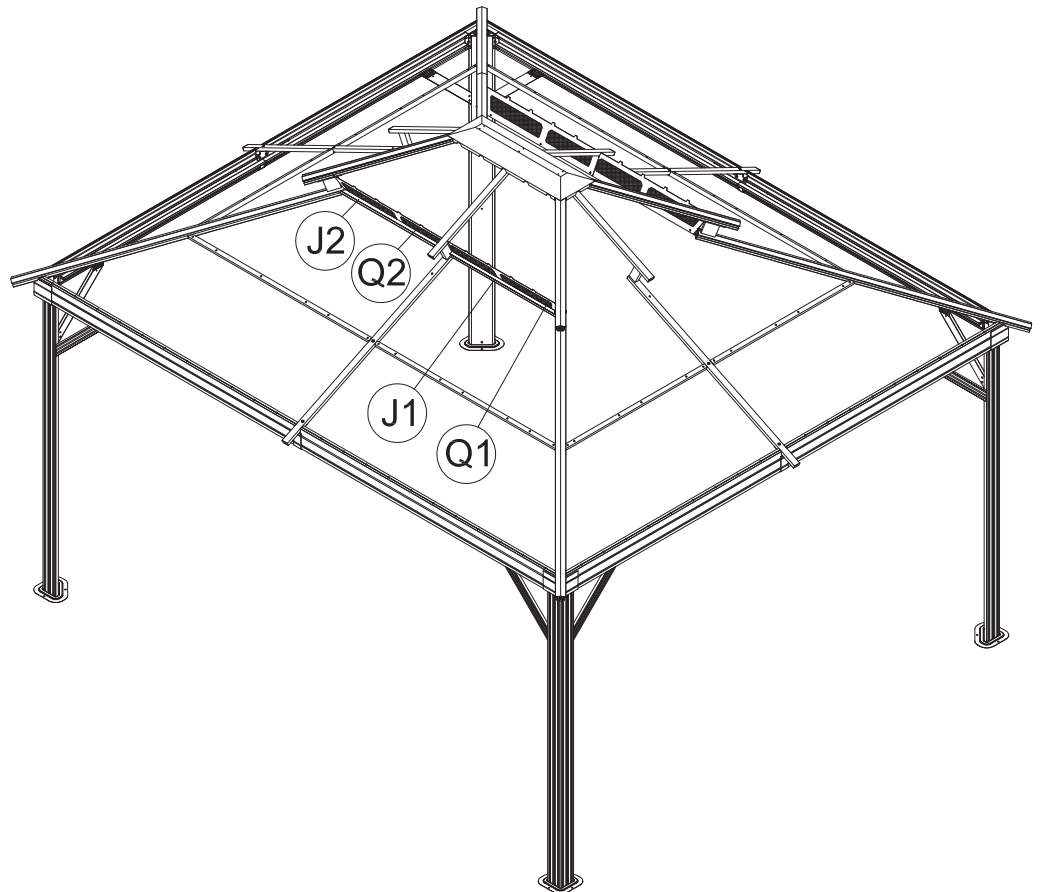


X2

(2) Connect Part #J2 and Part #Q2 with 2 Bolts #7 and 2 Nuts #5.



X2



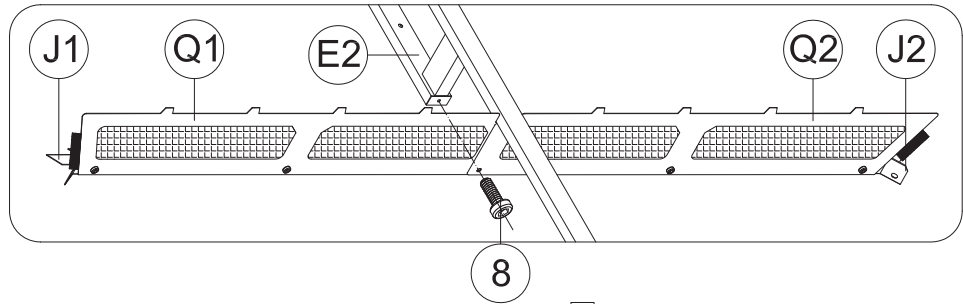


1 1x

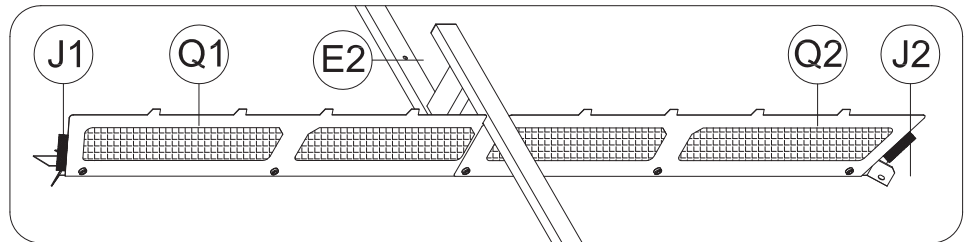


M6x16

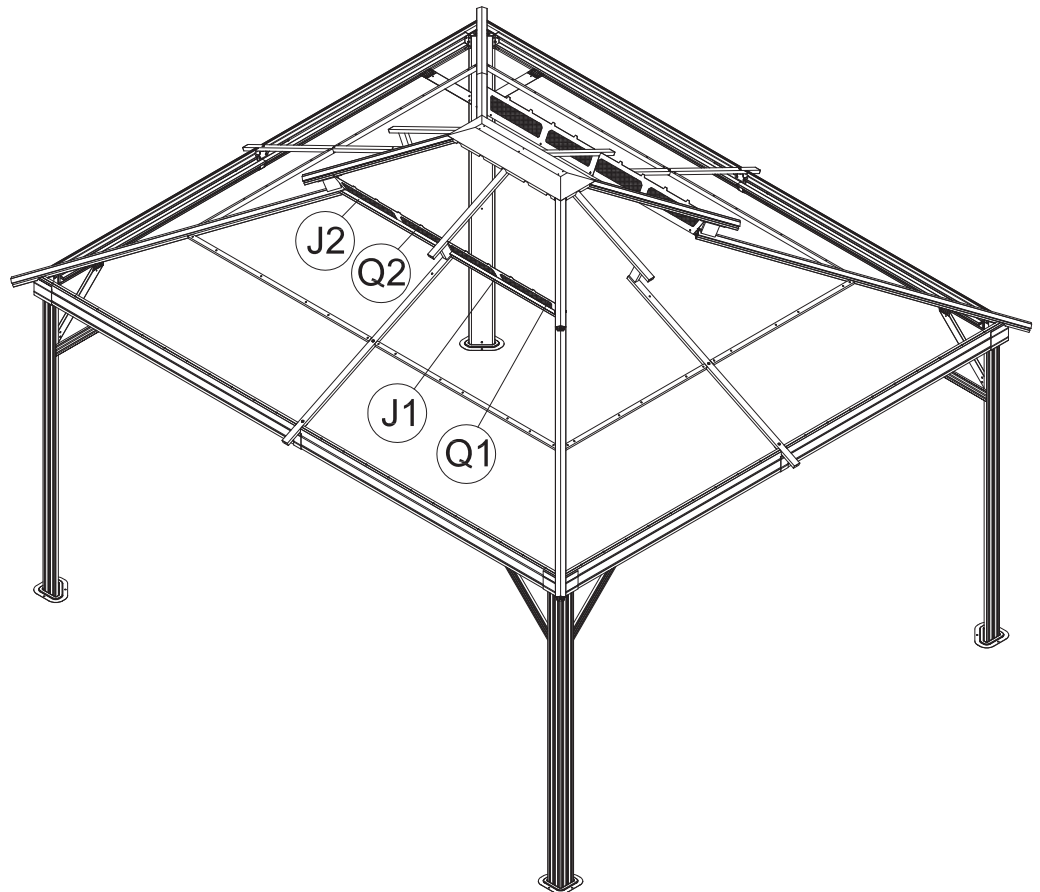
8 2x



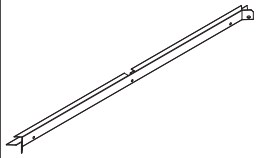
Inside View



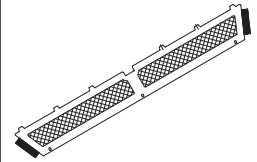
(1) Place the Assembled J1 & Q1 and J2 & Q2 on Part #E2, securing with 1 Bolt #8.



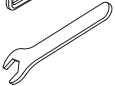
(2) Repeat the above procedures to assemble the opposite side.



J 2x



Q 2x



1 1x



M6

5 4x



M6x10

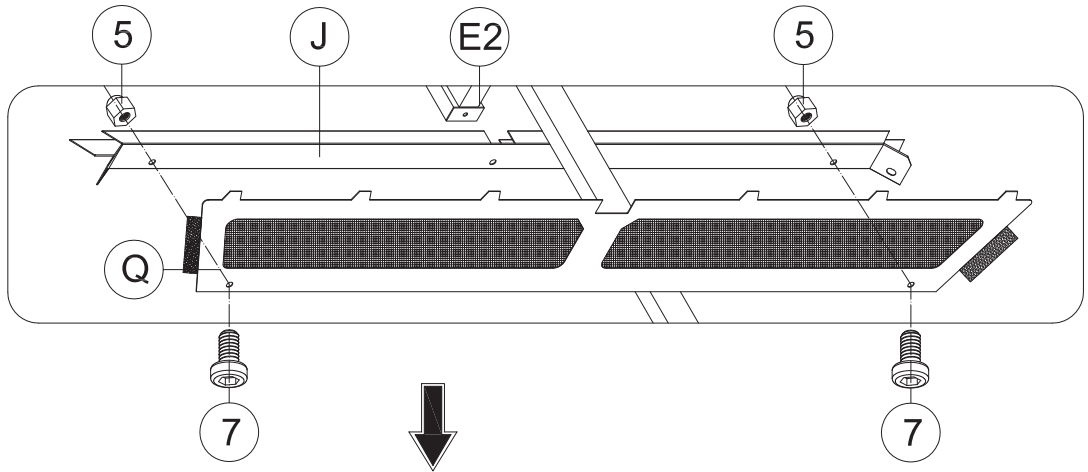
7 4x



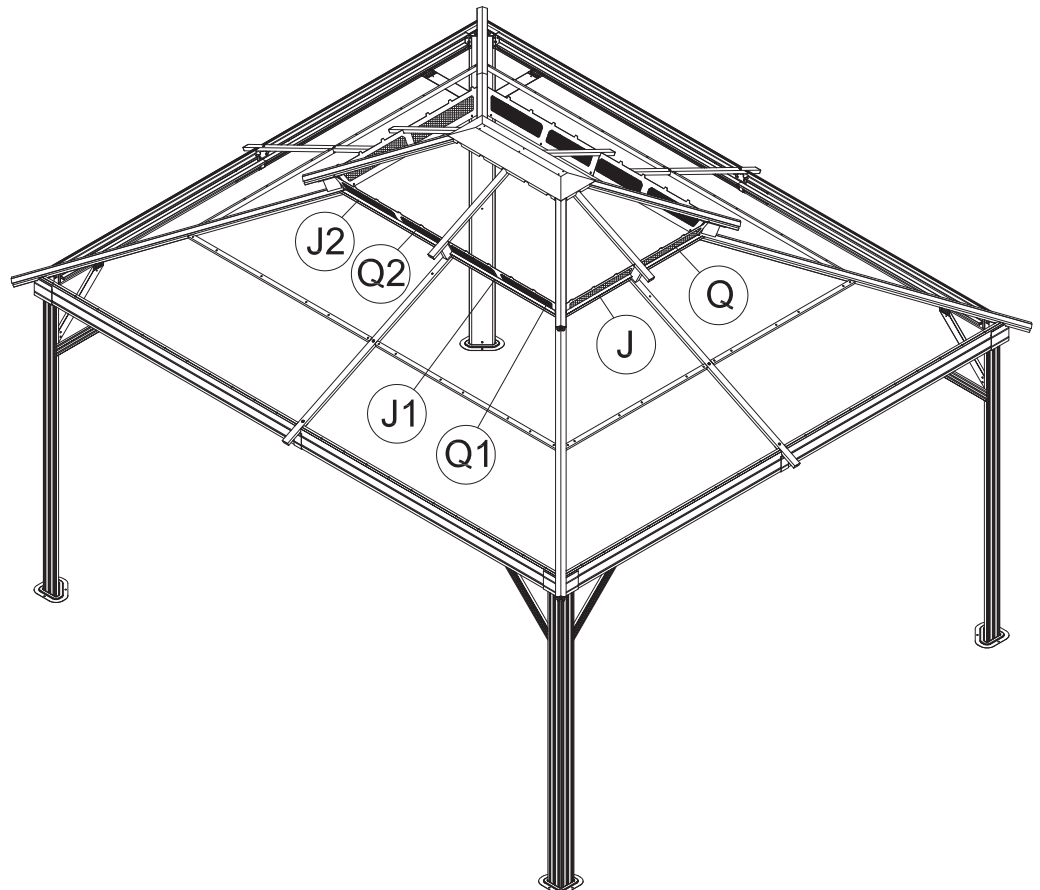
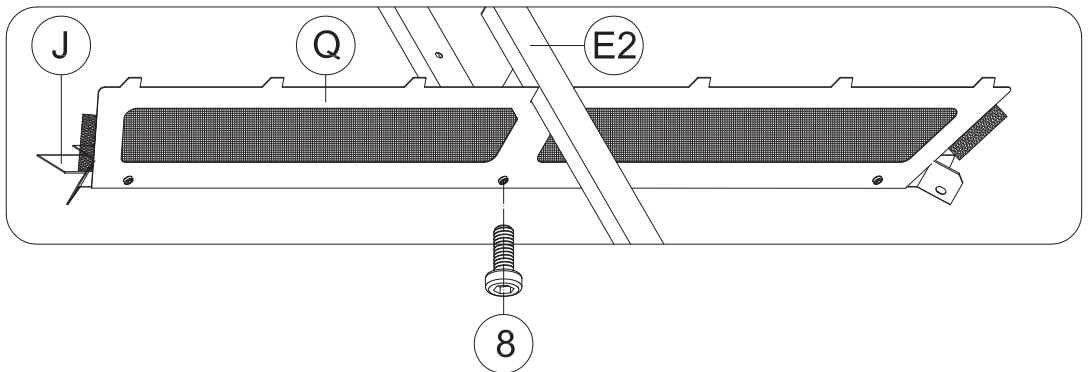
M6x16

8 2x

(1) Connect Part #J and Part #Q with 2 Bolts #7 and 2 Nuts #5.



(2) Place the Assembled Part #J & #Q on Part #E2, securing with 1 Bolt #8.



(3) Repeat the above procedures to assemble the opposite side.



(X3) 4x



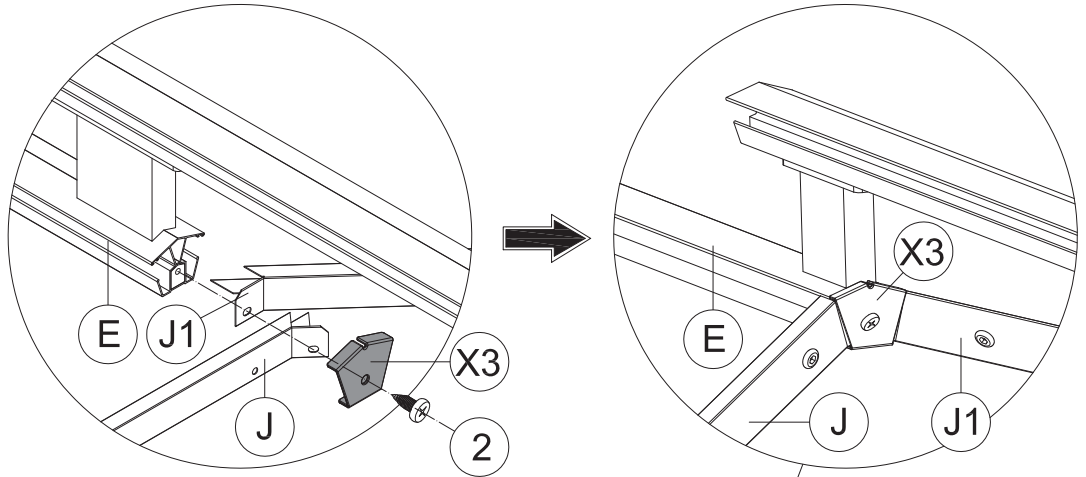
(1) 1x



ST6.3x15

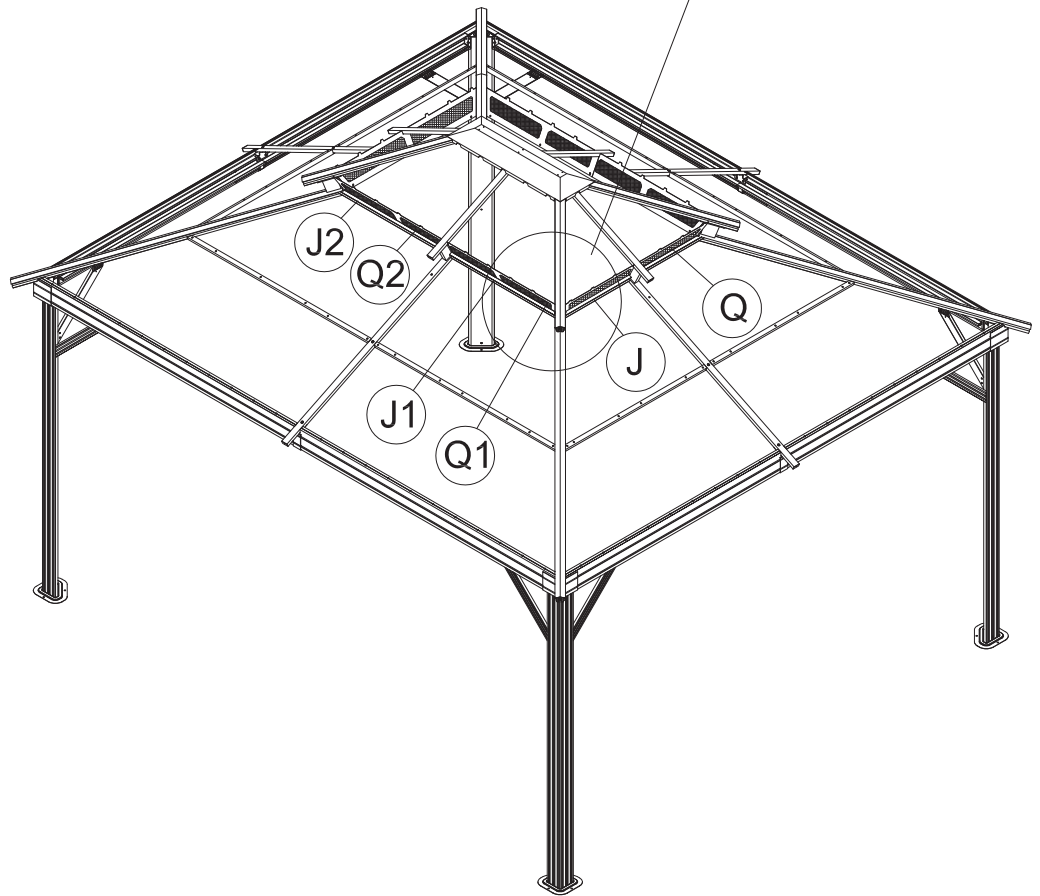
(2) 4x

(1) Place Part #J and Part #J1 on Part #E;
put on Part #X3 and secure with Self-tapping Screw #2.



Inside View

Inside View

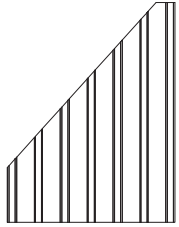


(2) Repeat the above procedures to assemble the other 3 corners.

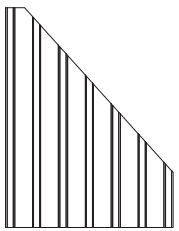
Cover Part #Z, #Z1 & #Z2 to Roof Panels.



L1 2x



L2 2x



L3 2x



L4 2x



Z 8x

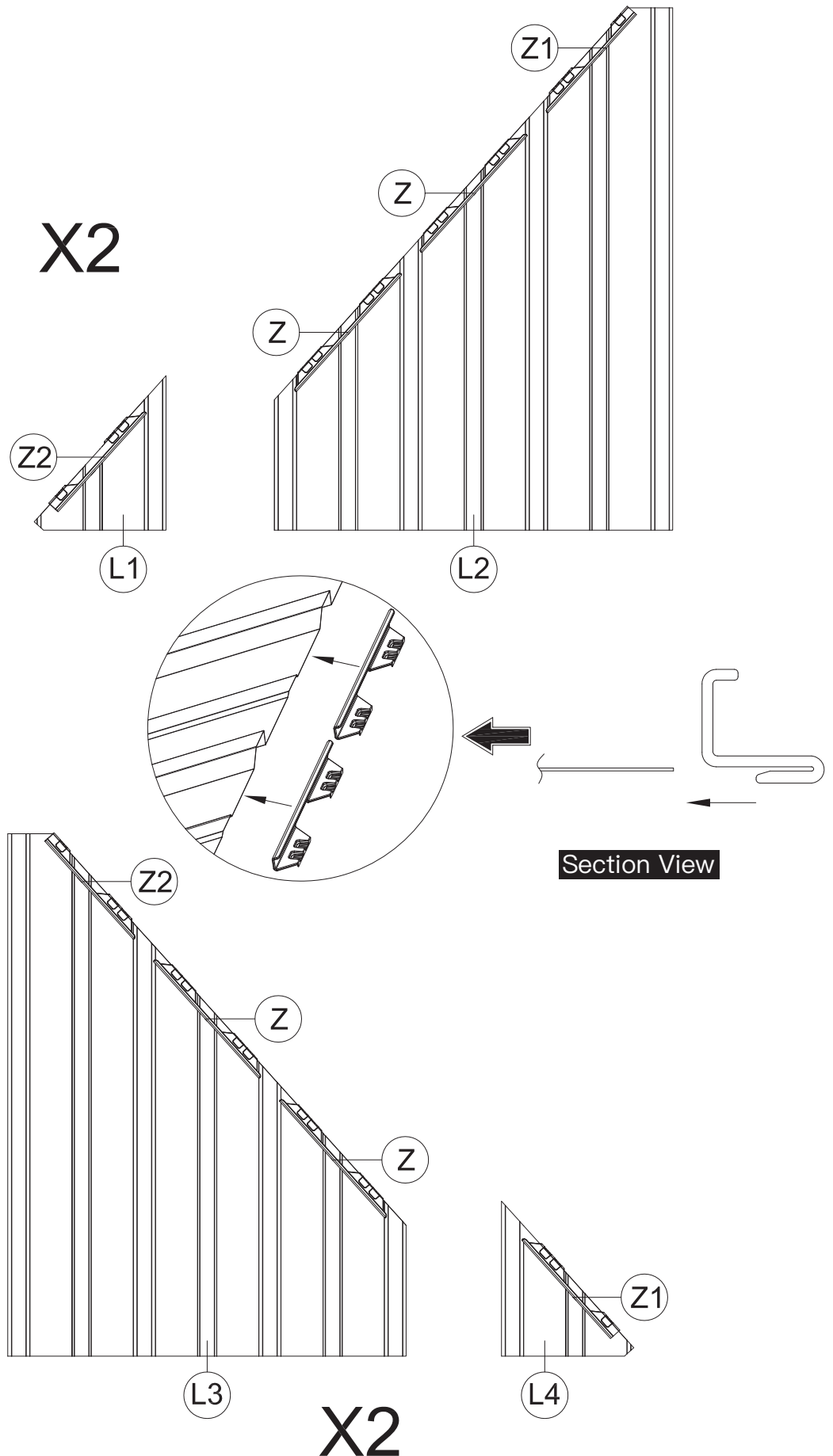


Z1 4x



Z2 4x

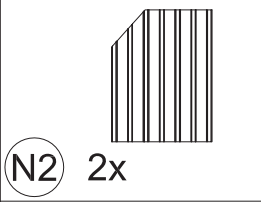
28



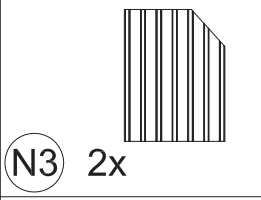
Cover Part #Z, #Z3 & #Z4 to Roof Panels.



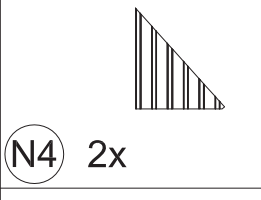
N1 2x



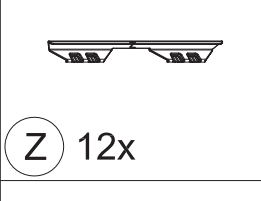
N2 2x



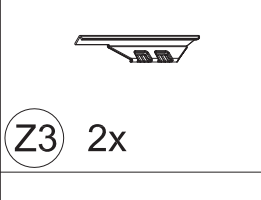
N3 2x



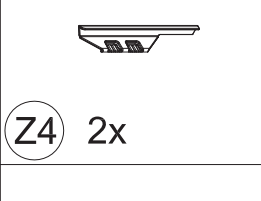
N4 2x



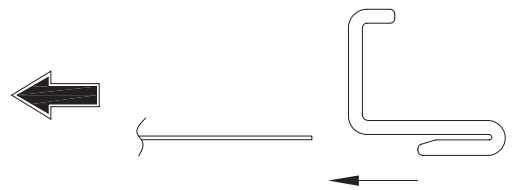
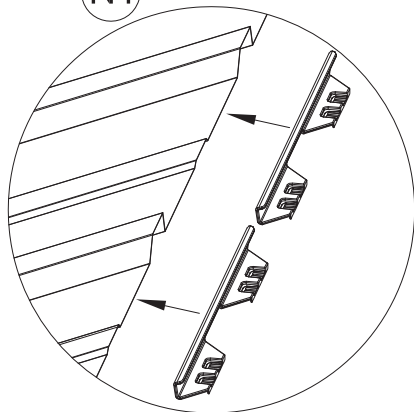
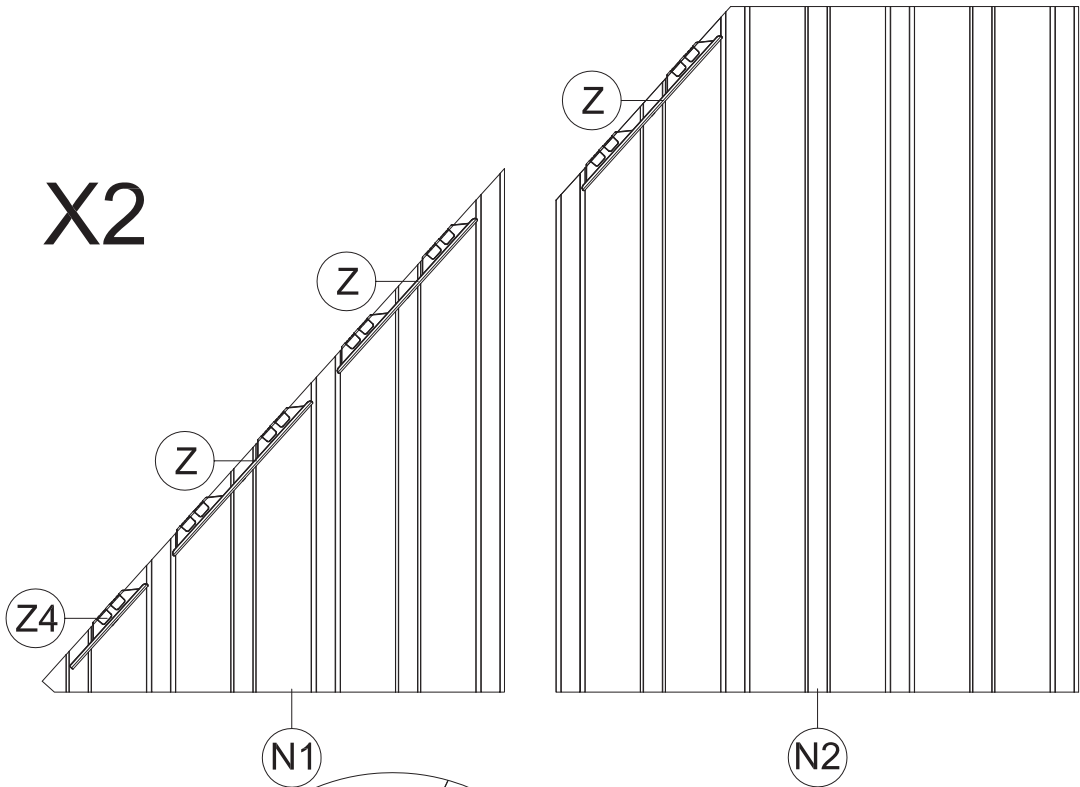
Z 12x



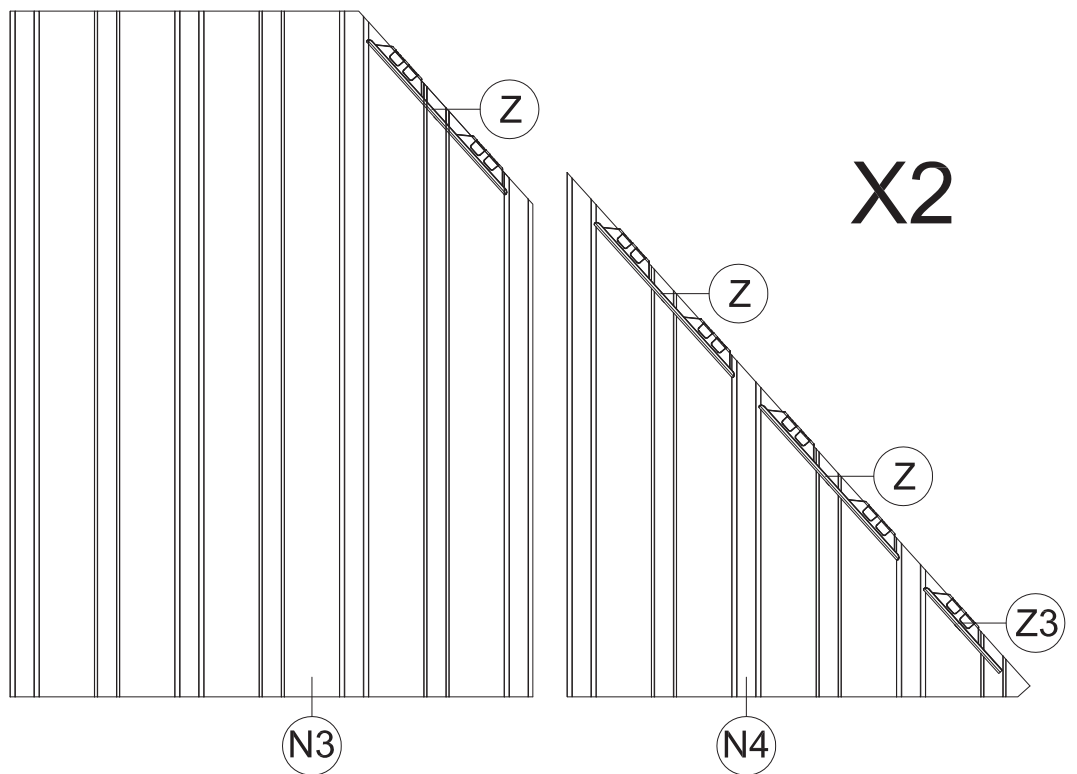
Z3 2x



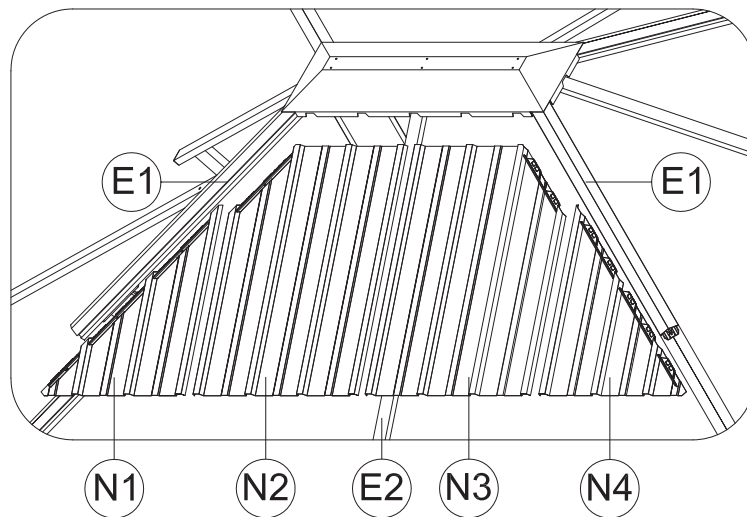
Z4 2x



Section View

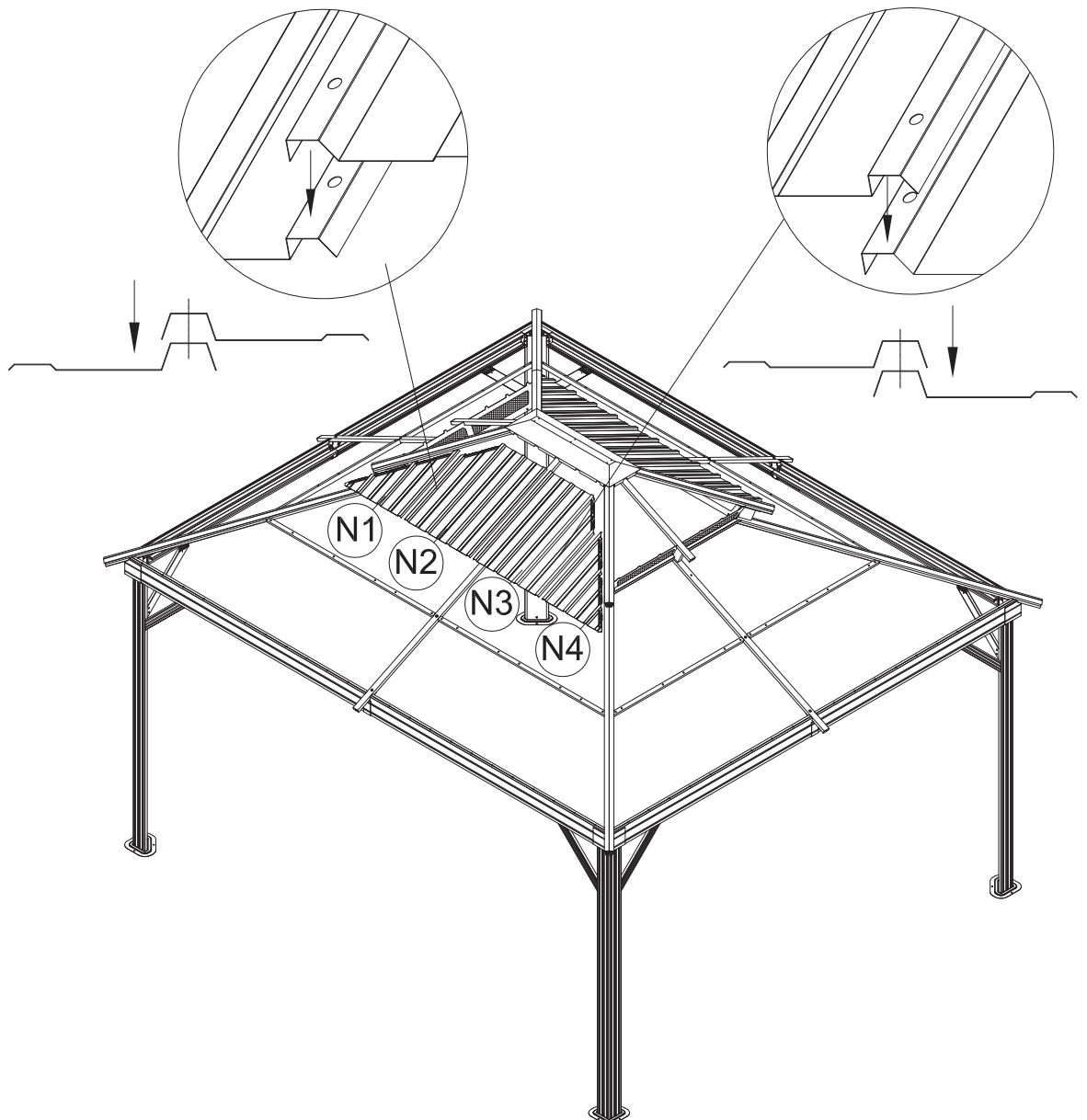


ATTENTION: The bigger roof panel need to cover the smaller one.

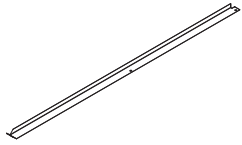


(1) Insert Part #N1 and Part #N2 into the frame.

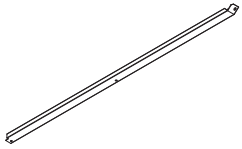
(2) Insert Part #N4 and Part #N3 into the frame.



(3) Repeat the above procedures to assemble the opposite side.



H1 2x



H2 2x



X2 2x



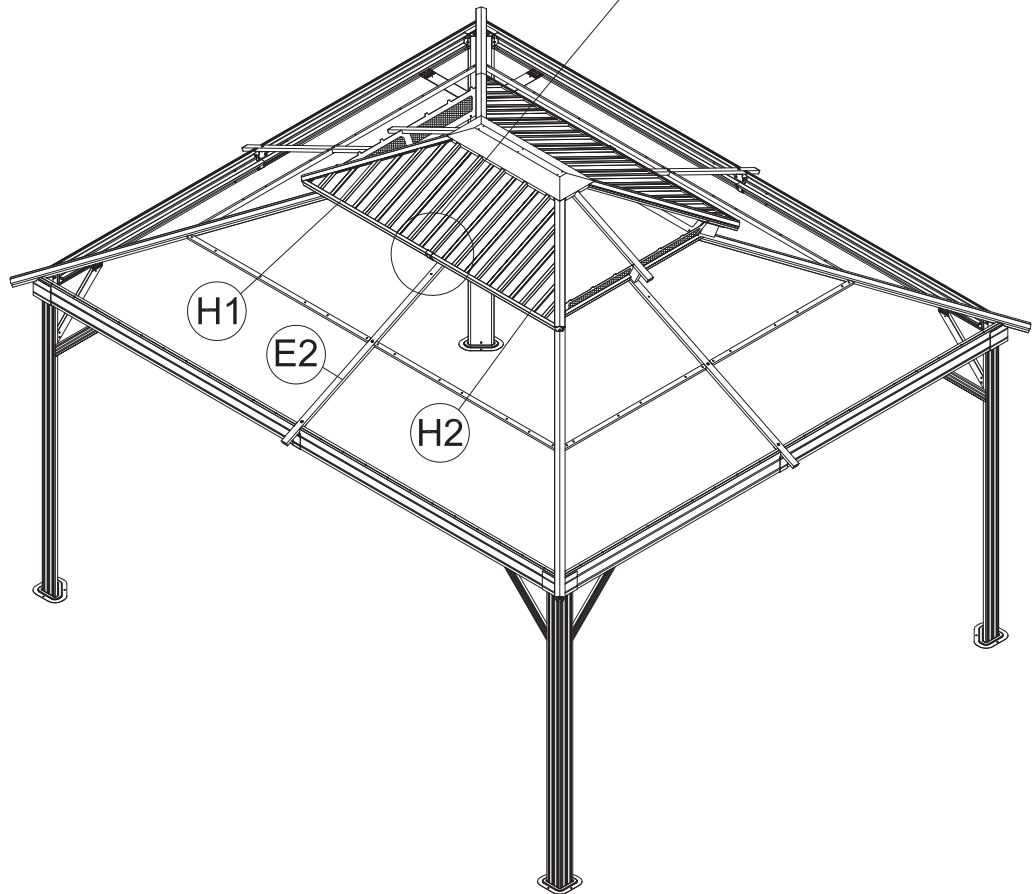
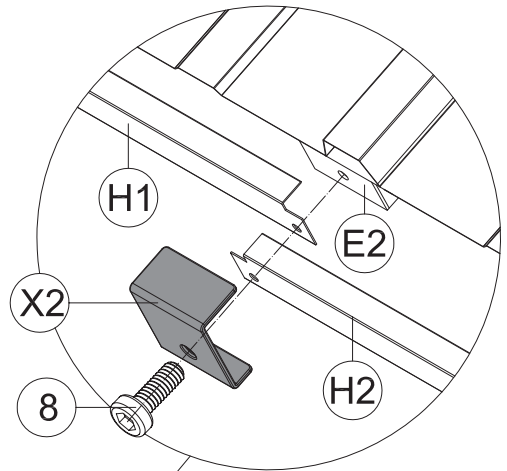
1 1x



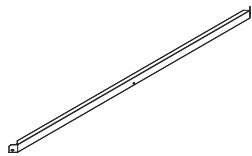
M6x16

8 2x

(1) Place Part #H1 and Part #H2 on Part #E2; put on Part #X2 and secure with Bolt #8.



(2) Repeat the above procedures to assemble the opposite side.



H 2x



1 1x



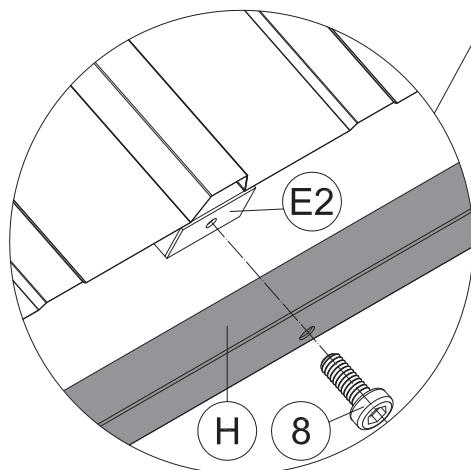
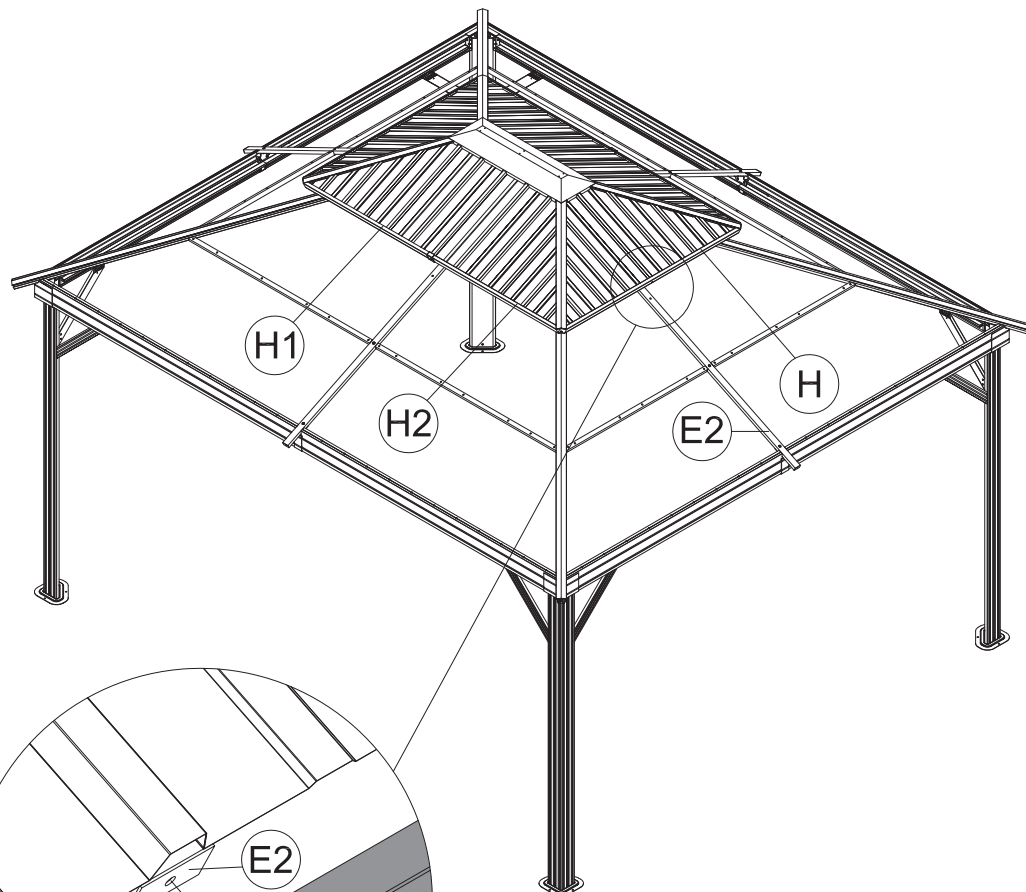
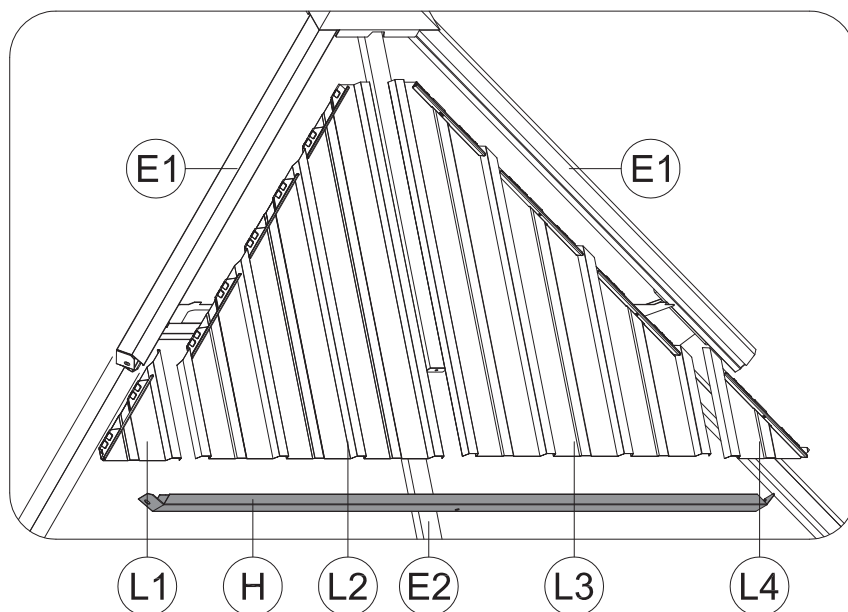
M6x16

8 2x

ATTENTION: The bigger roof panel need to cover the smaller one.

(1) Insert Part #L1 and Part #L2 into the frame.

(2) Insert Part #L4 and Part #L3 into the frame.



(3) Attach Part #H to Part #E2, securing with Bolt #8.

(4) Repeat the above procedures to assemble the opposite side.



X3 4x



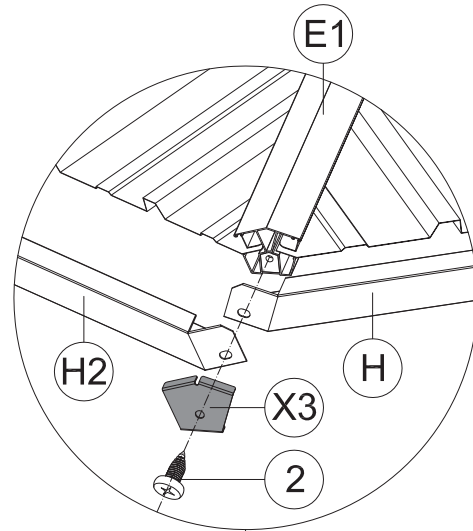
1 1x



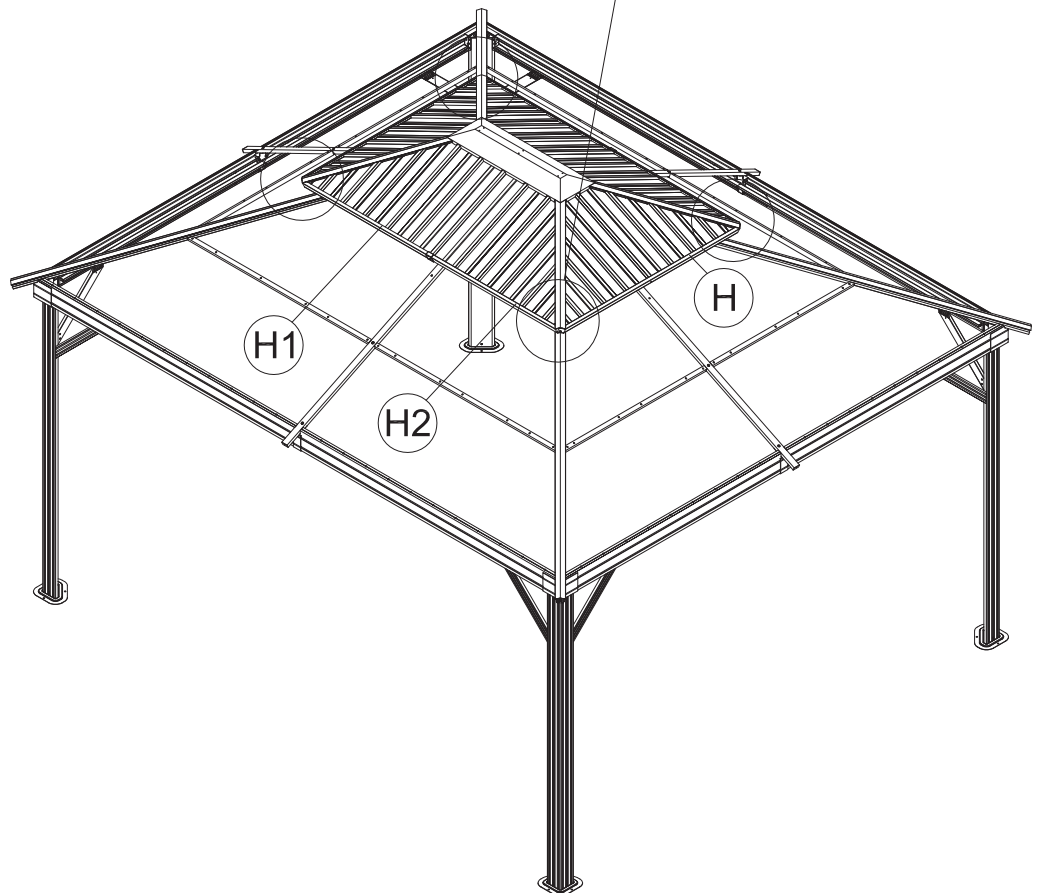
ST6.3x15

2 4x

(1) Place Part #H and Part #H2 on Part #E1;
put on Part #X3 and secure with Self-tapping Screw #2



Outside View

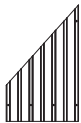


(2) Repeat the above procedures to assemble the other 3 corners.

Cover Part #Z to Roof Panels



M1 2x



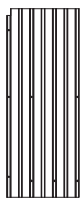
M2 2x



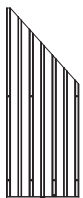
M3 2x



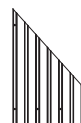
M4 2x



M5 2x



M6 2x



M7 2x

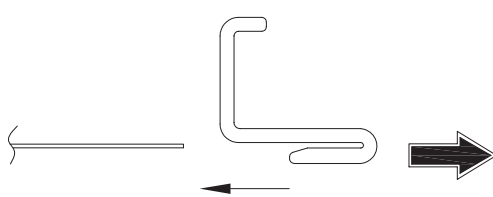
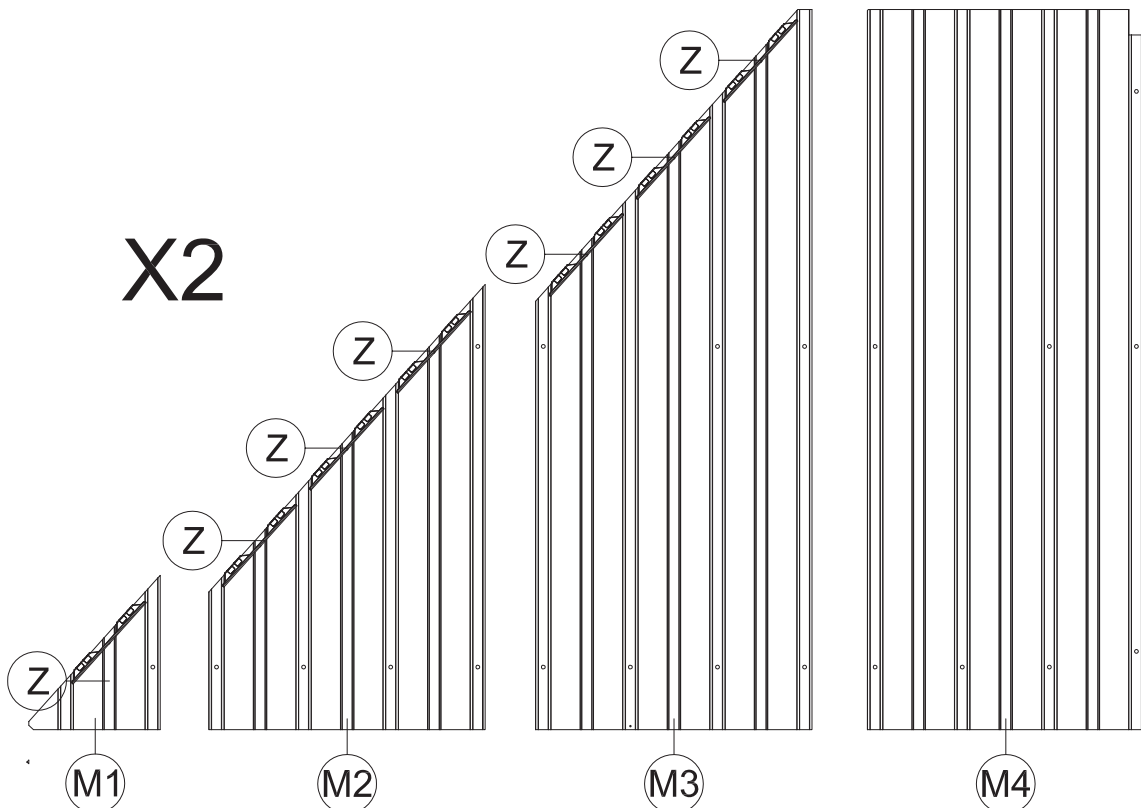


M8 2x

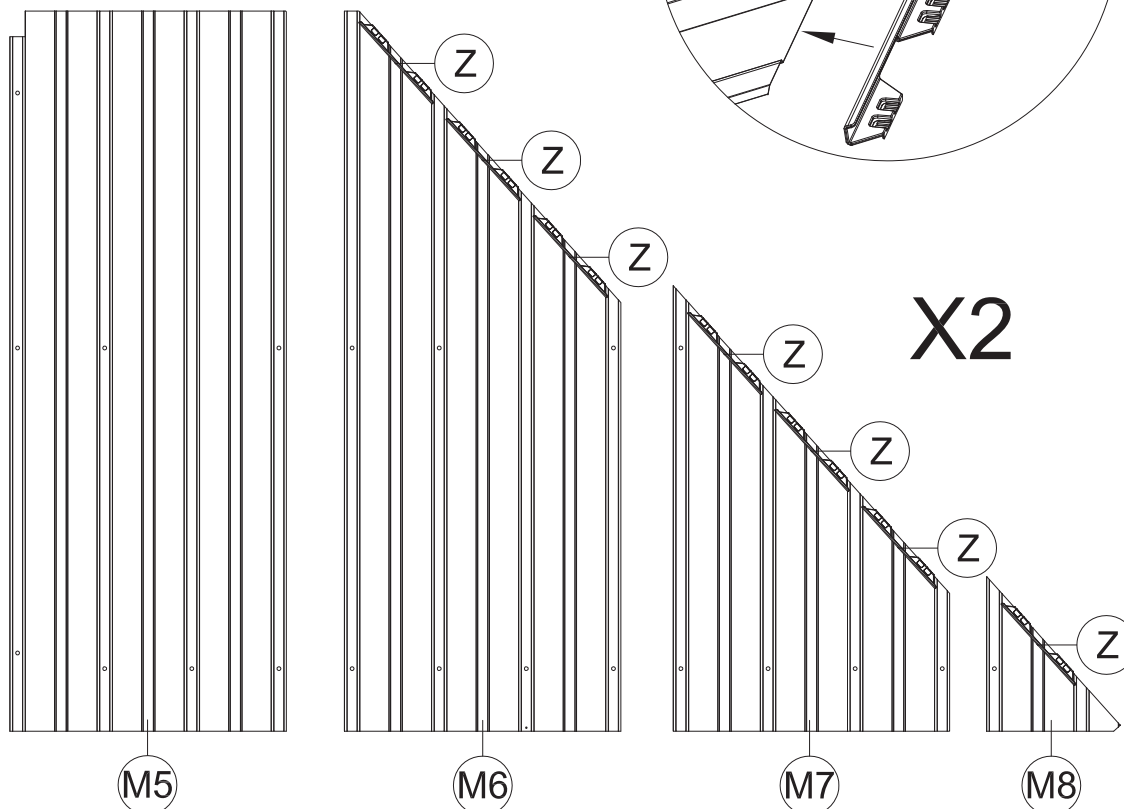
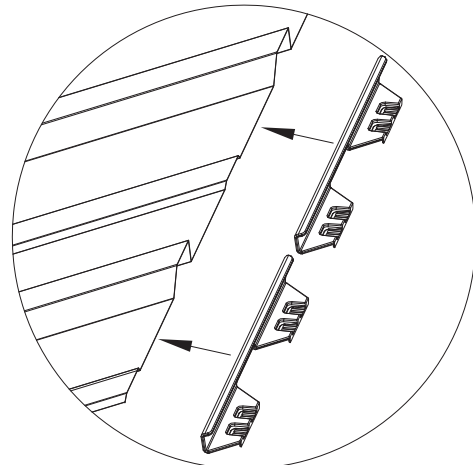


Z 28x

34



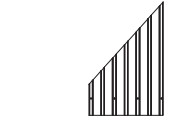
Section View



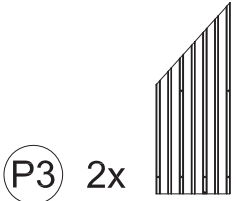
Cover Part #Z to Roof Panels



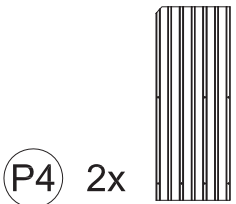
P1 2x



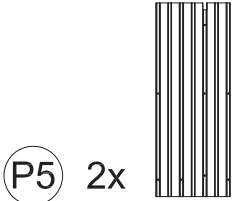
P2 2x



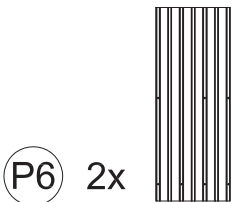
P3 2x



P4 2x



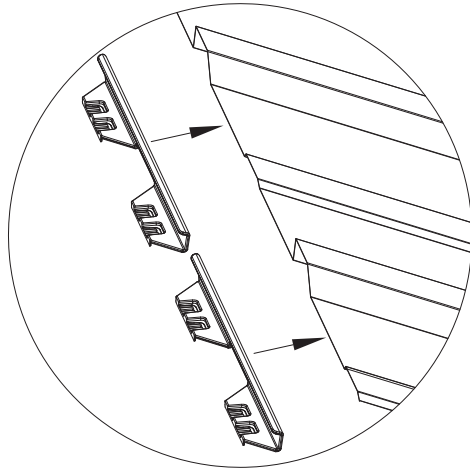
P5 2x



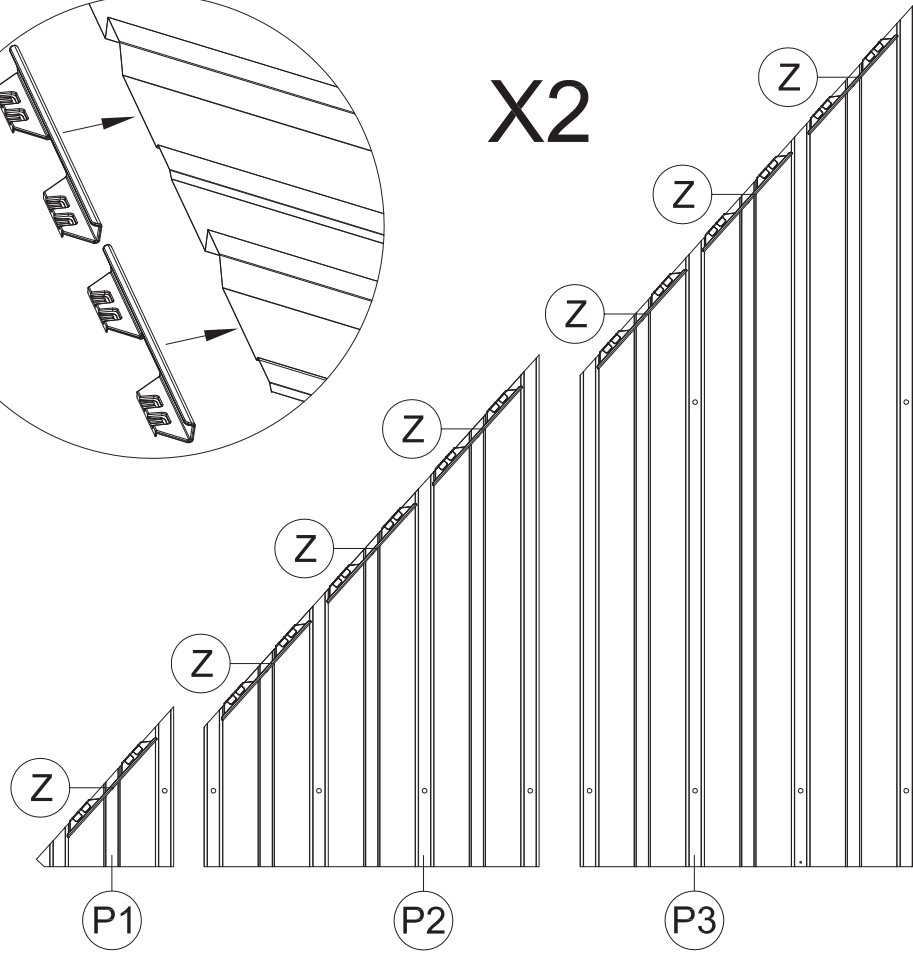
P6 2x



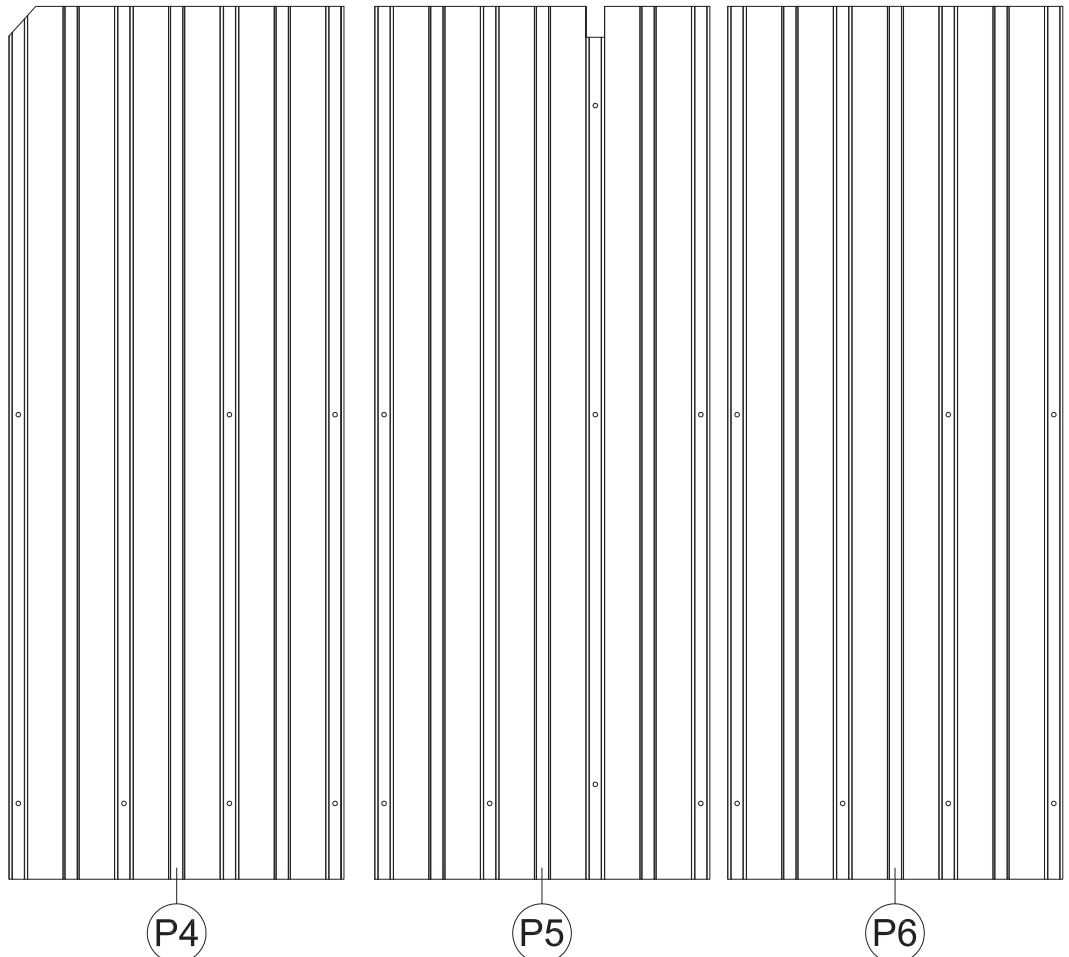
Z 14x



X2

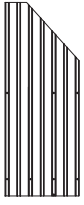


X2

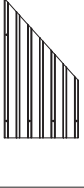


Cover Part #Z to Roof Panels

P7 2x



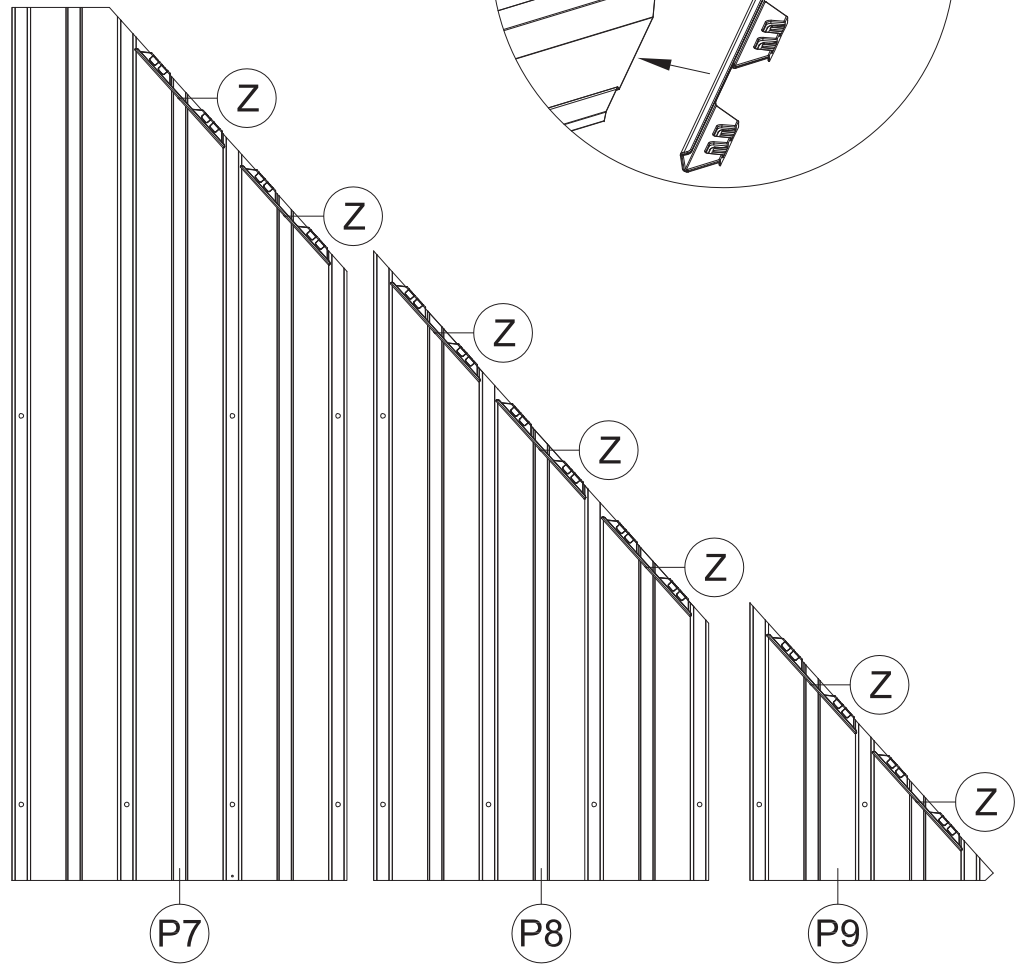
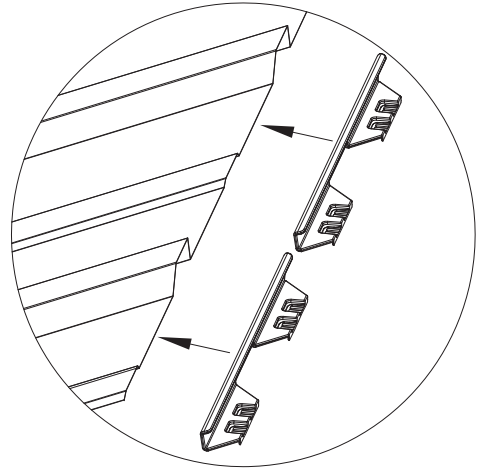
P8 2x



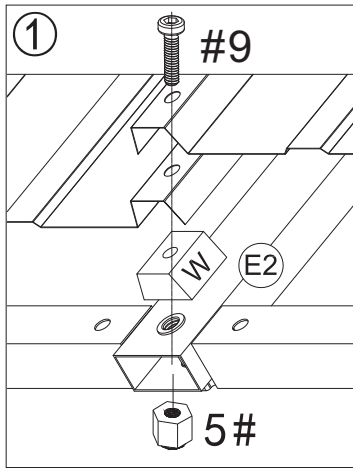
P9 2x



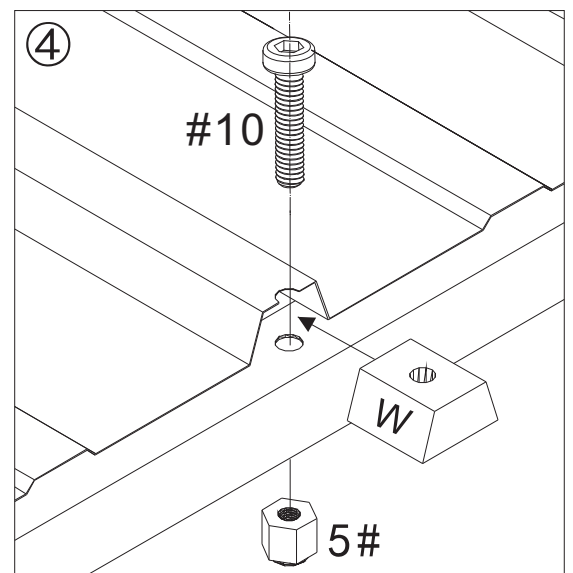
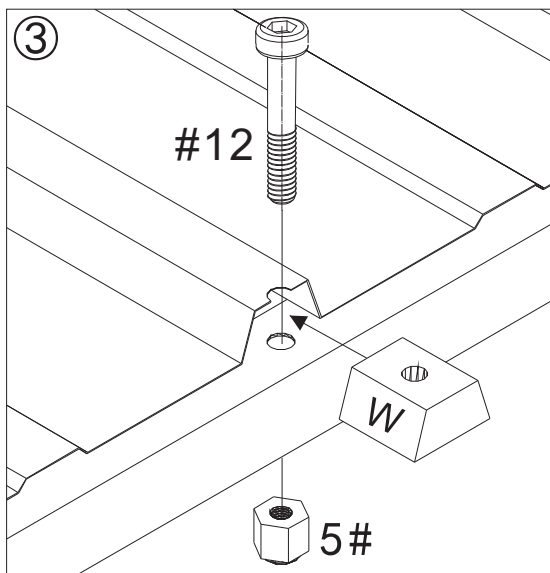
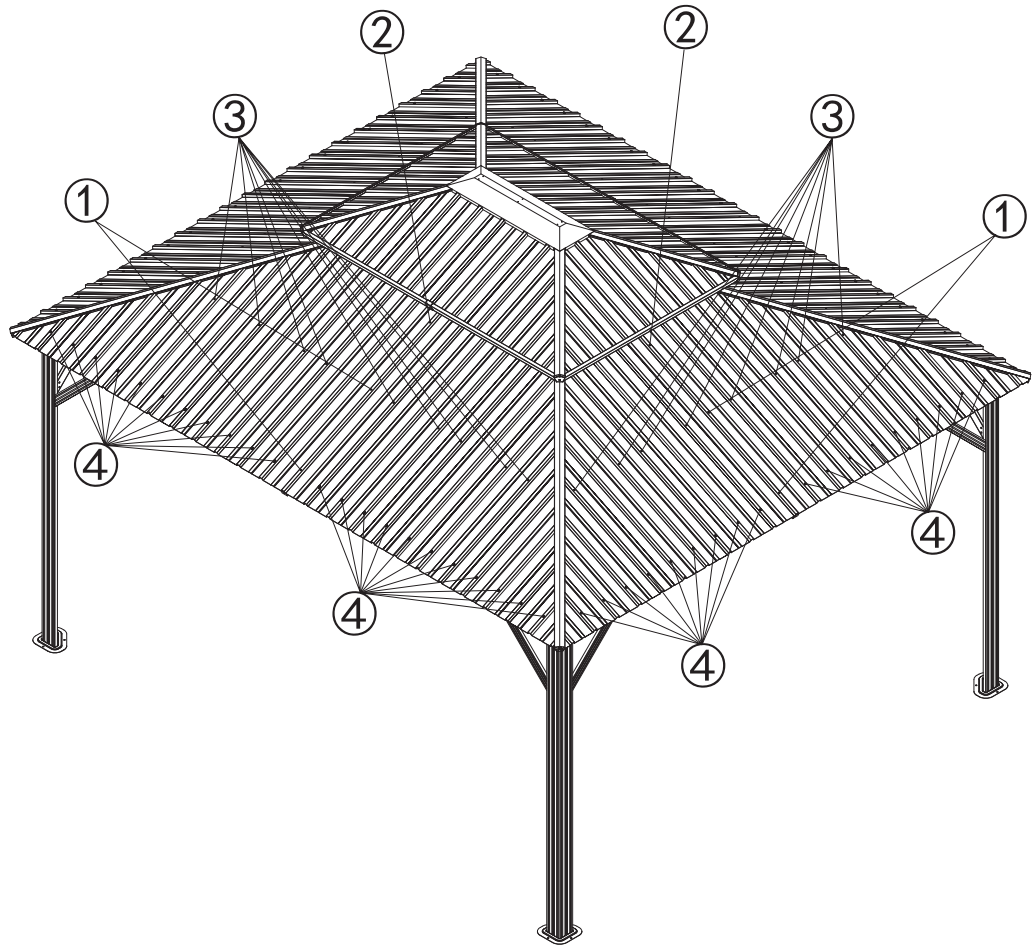
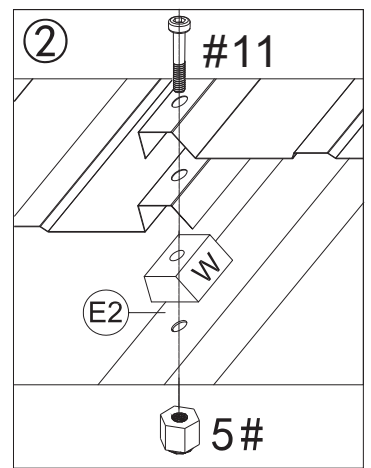
Z 14x

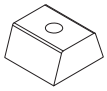


X2



▲ Part #W should be inserted between roof panels and solidifying bar or beams, then secure with bolts and nuts.





(W) 14x



(1) 1x



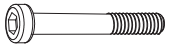
M6

(5) 14x



M6x28

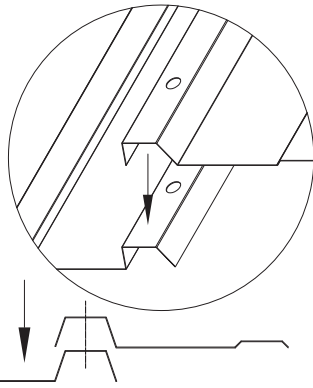
(10) 12x



M6x50

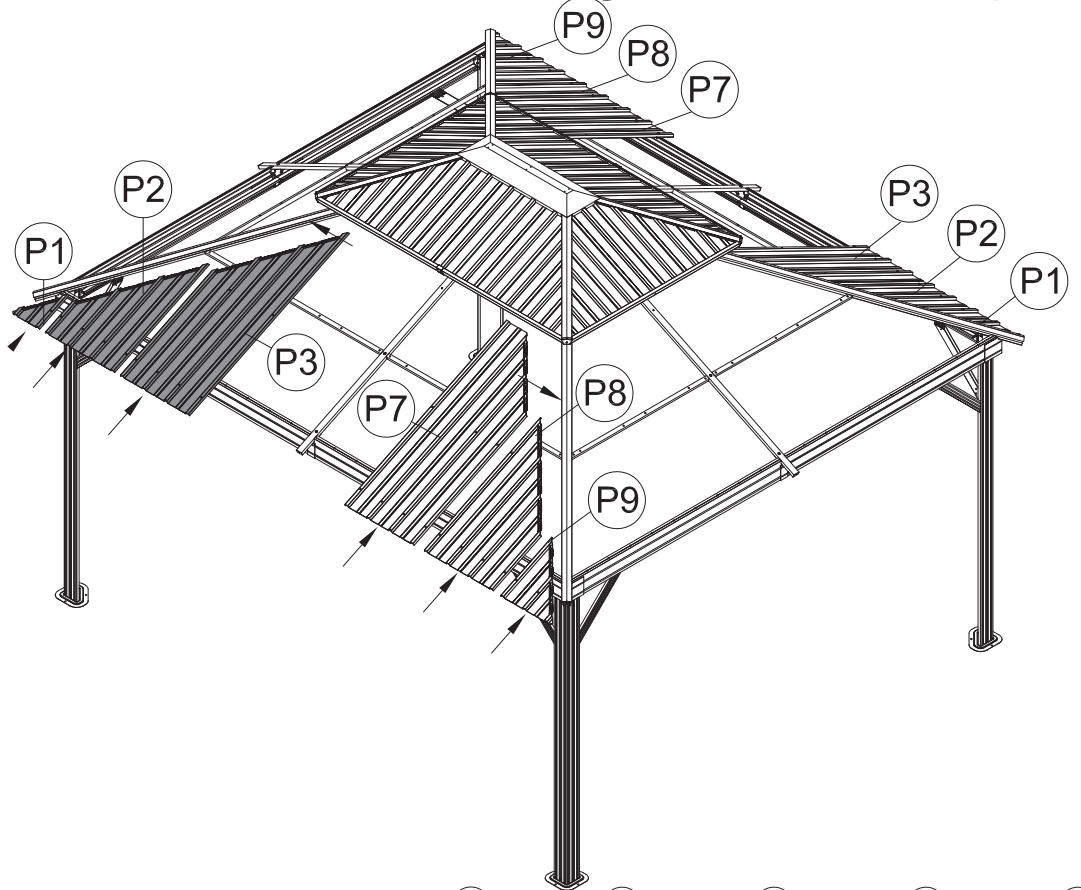
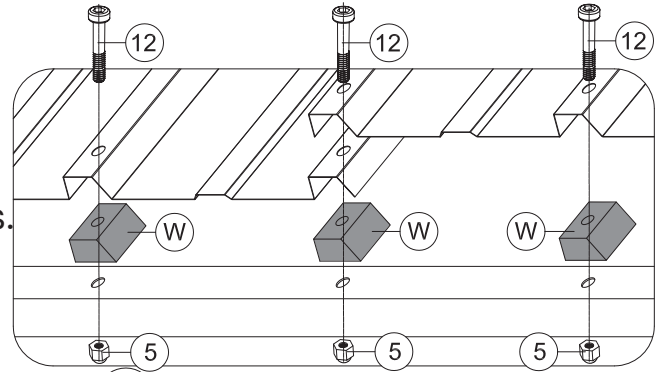
(12) 2x

ATTENTION: The bigger roof panel need to cover the smaller one.

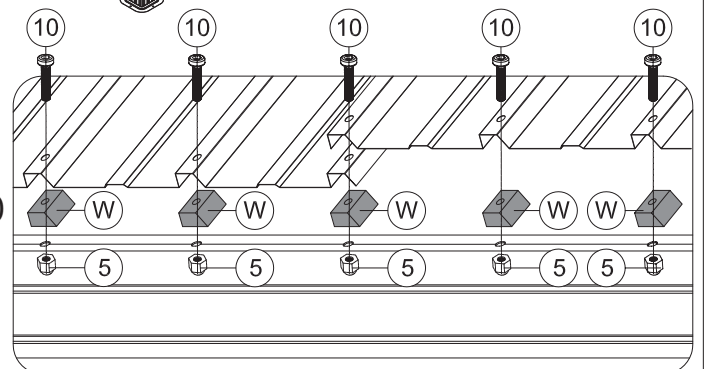


(1) Insert Part #P1, Part #P2 and Part #P3 into the frame.

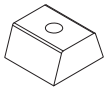
(3) Place 1 Part #W between roof panels and solidifying bars. Then secure with 1 Bolt #12 and 1 Nut #5.



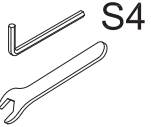
(2) Place 6 Part #W between roof panels and beams. Then secure with 6 Bolts #10 and 6 Nuts #5.



(4) Repeat the above procedures to assemble the opposite side.



W 18x

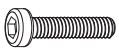


1 1x



M6

5 18x



M6x28

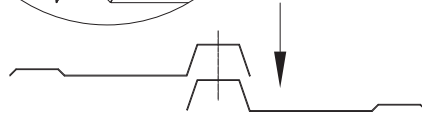
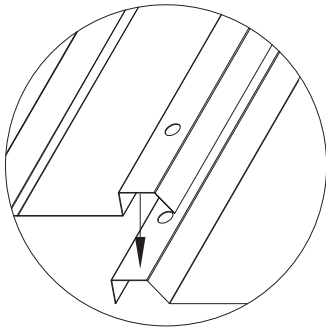
10 14x



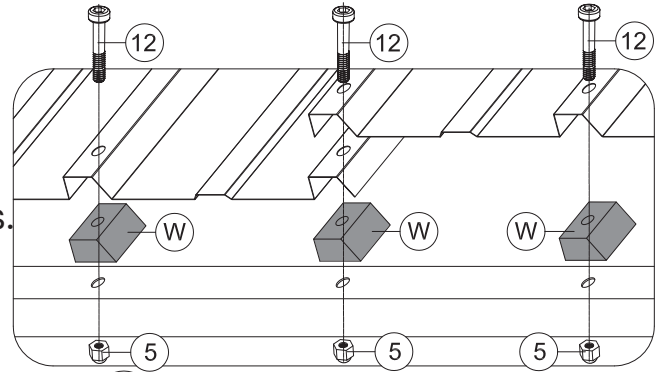
M6x50

12 14x

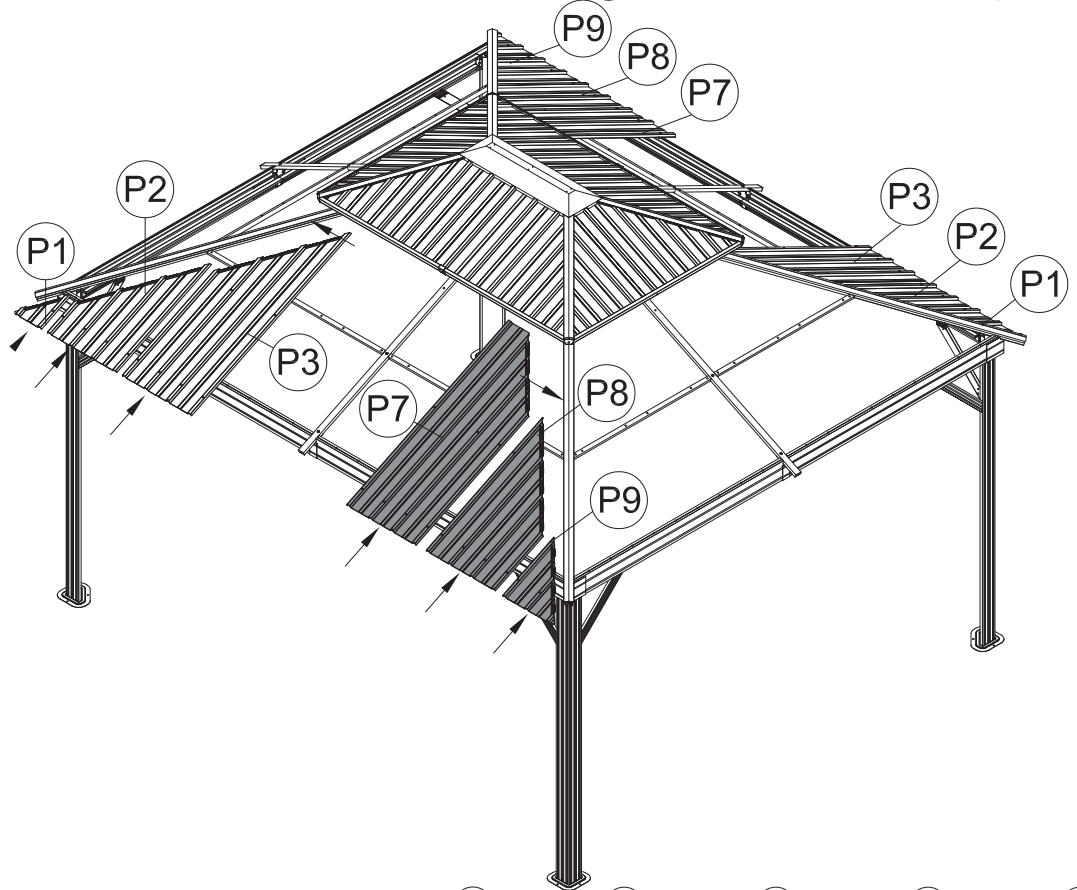
ATTENTION: The bigger roof panel need to cover the smaller one.



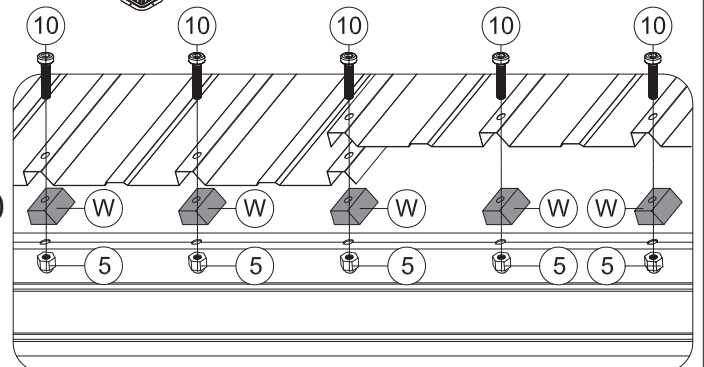
(1) Insert Part #P9,
Part #P8 and Part #P7 into the frame.



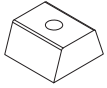
(3) Place 2 Part #W between
roof panels and solidifying bars.
Then secure with 2 Bolt #12
and 2 Nut #5.



(2) Place 7 Part #W between
roof panels and beams.
Then secure with 7 Bolts #10
and 7 Nuts #5.



(4) Repeat the above procedures to assemble the opposite side.



W 30x



1 1x



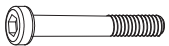
M6

5 30x



M6x28

10 18x



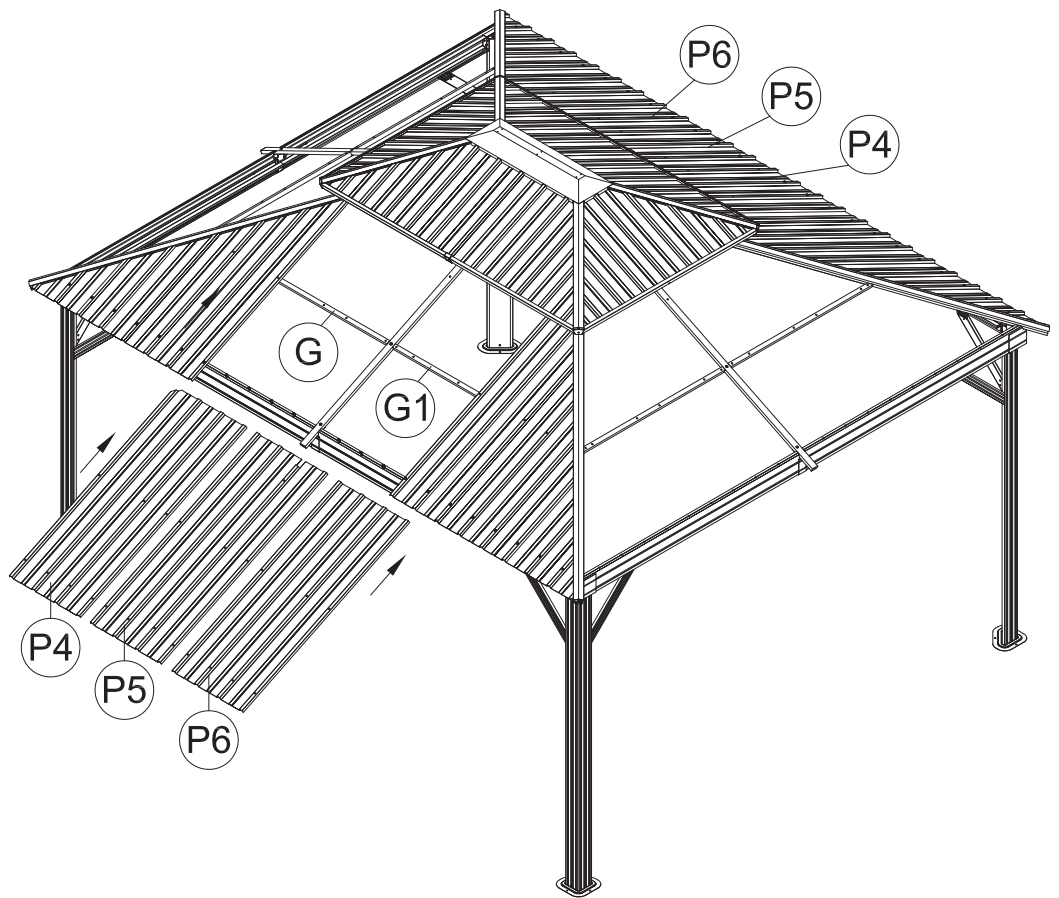
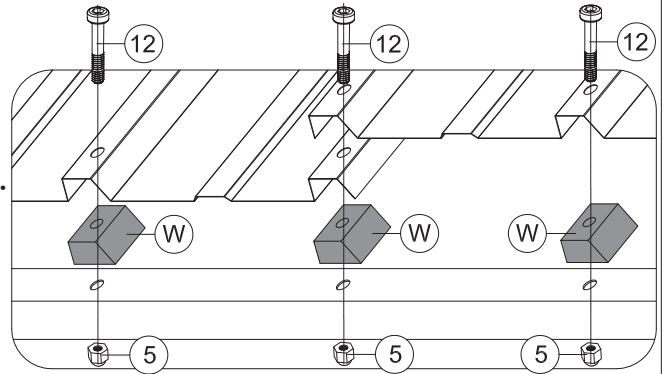
M6x50

12 12x

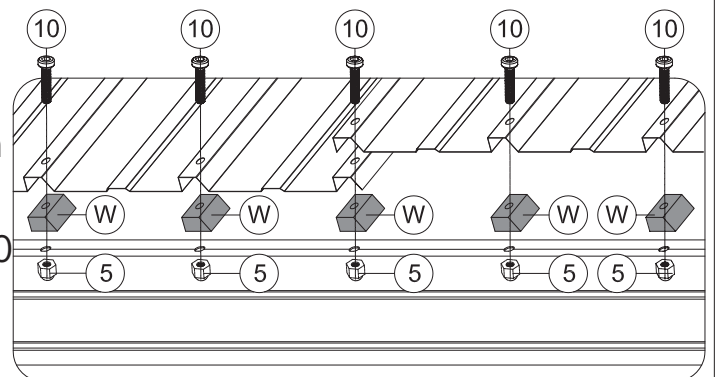
ATTENTION: The bigger roof panel need to cover the smaller one.

(1) Insert Part #P4, Part #P5 and Part #P6 into the frame.

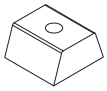
(3) Place 6 Part #W between roof panels and solidifying bars. Then secure with 6 Bolts #12 and 6 Nuts #5.



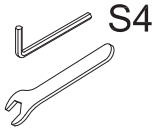
(2) Place 9 Part #W between roof panels and beams. Then secure with 9 Bolts #10 and 9 Nuts #5.



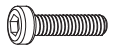
(4) Repeat the above procedures to assemble the opposite side.



W 4x

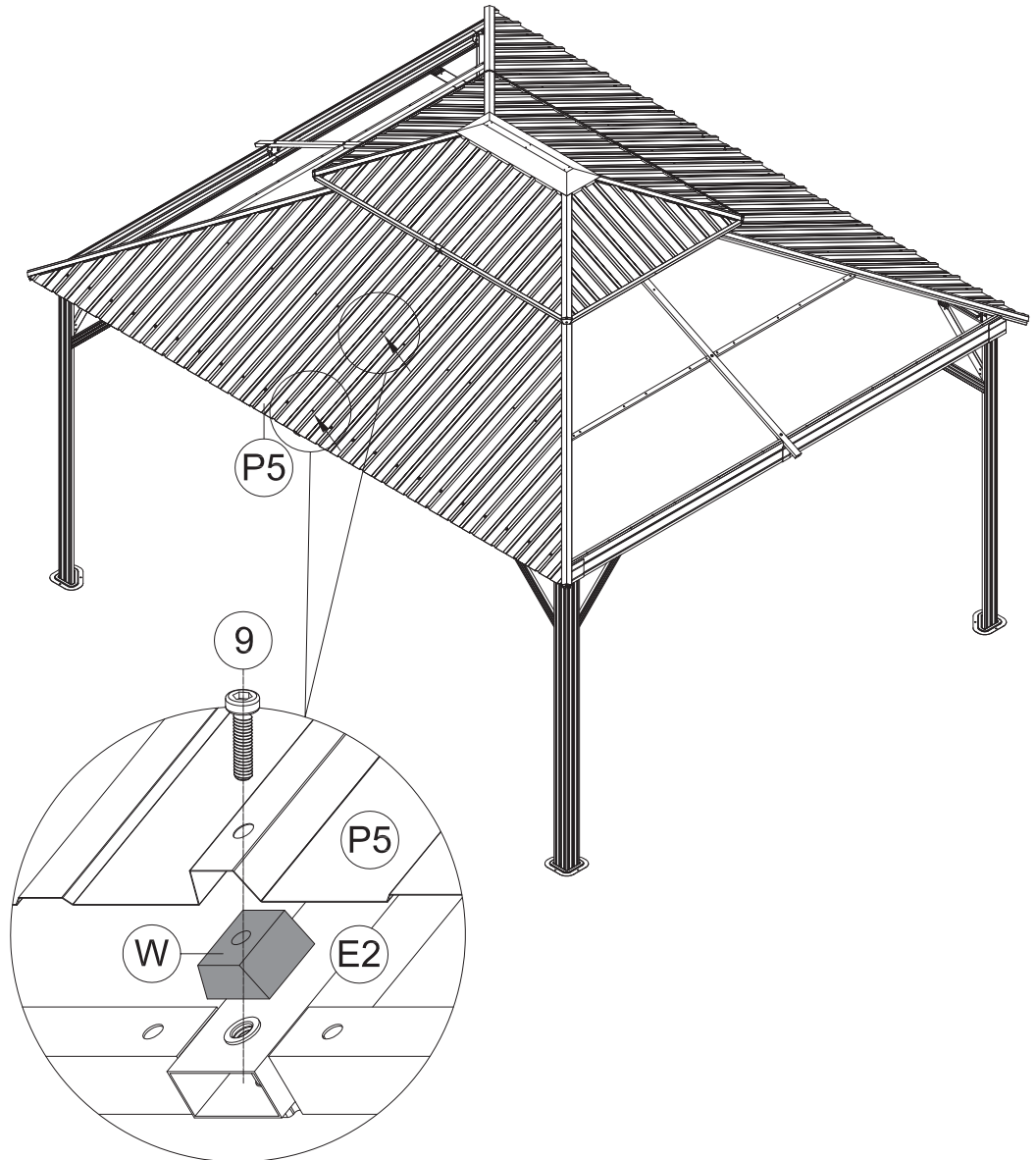


1 1x



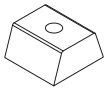
M6x25

9 4x

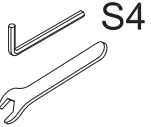


(1) Place 2 Part #W between Part #P5 and Part #E2.
Then secure with 2 Bolts #9 and 2 Nuts #5.

(2) Repeat the above procedures to assemble the opposite side.



W 12x



1 1x



M6

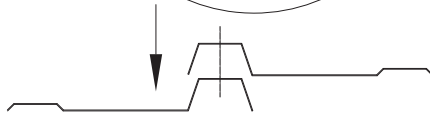
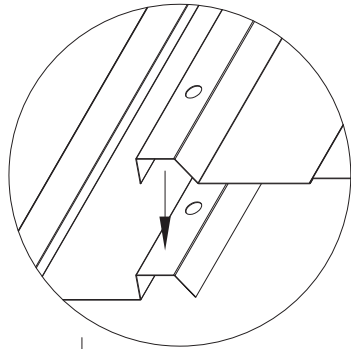
5 12x



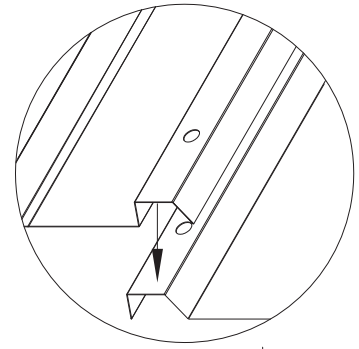
M6x28

10 12x

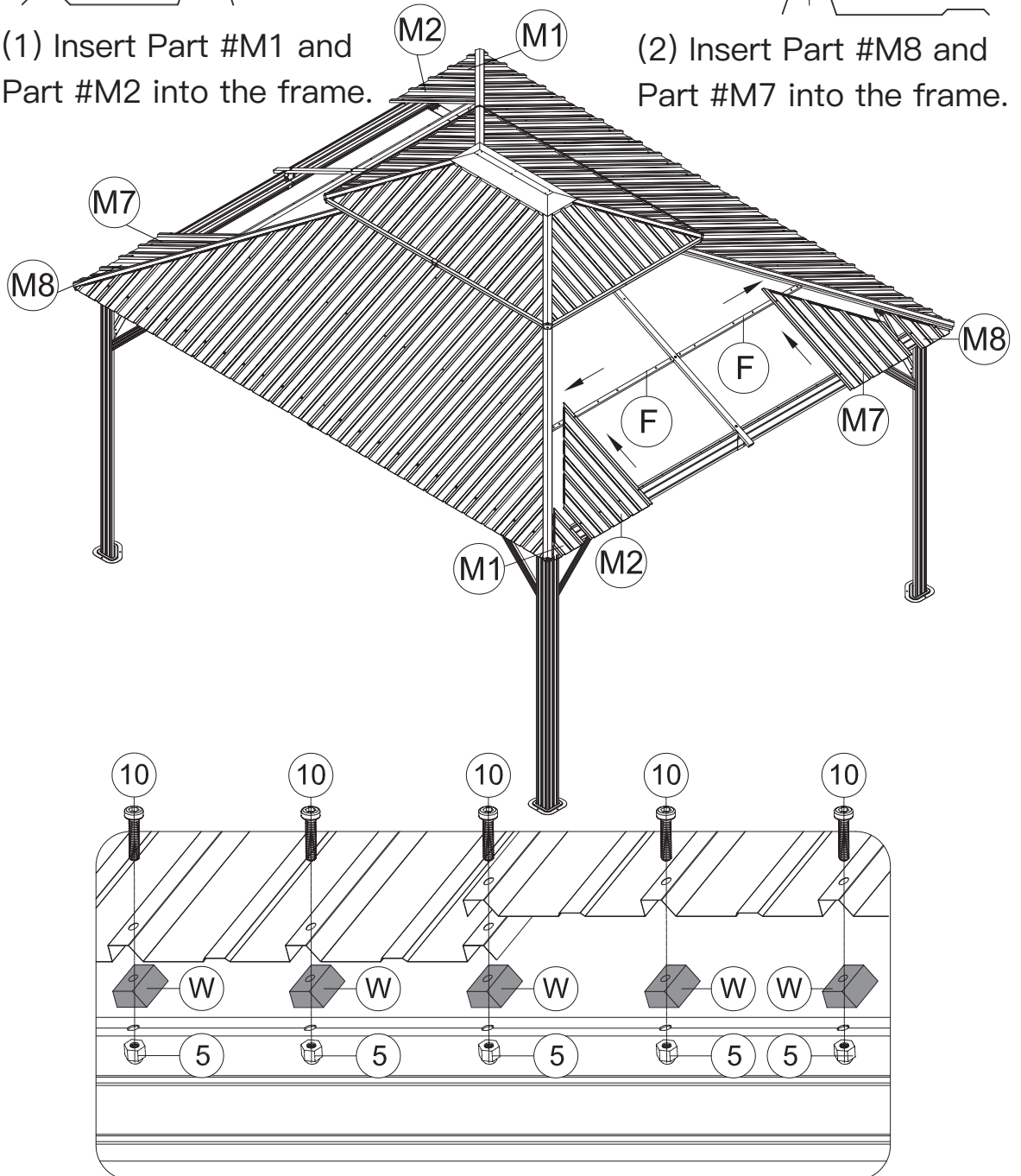
ATTENTION: The bigger roof panel need to cover the smaller one.



(1) Insert Part #M1 and Part #M2 into the frame.

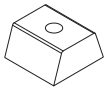


(2) Insert Part #M8 and Part #M7 into the frame.



(3) Place 6 Part #W between roof panels and beams. Then secure with 6 Bolts #10 and 6 Nuts #5.

(4) Repeat the above procedures to assemble the opposite side.



(W) 20x



(1) 1x



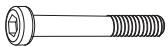
M6

(5) 20x



M6x28

(10) 12x

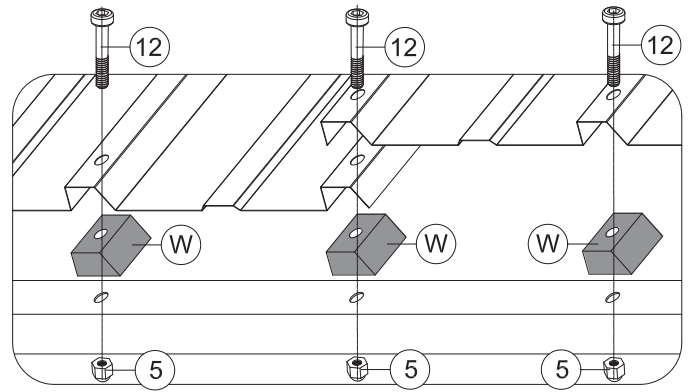
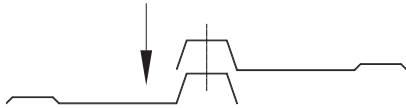


M6x50

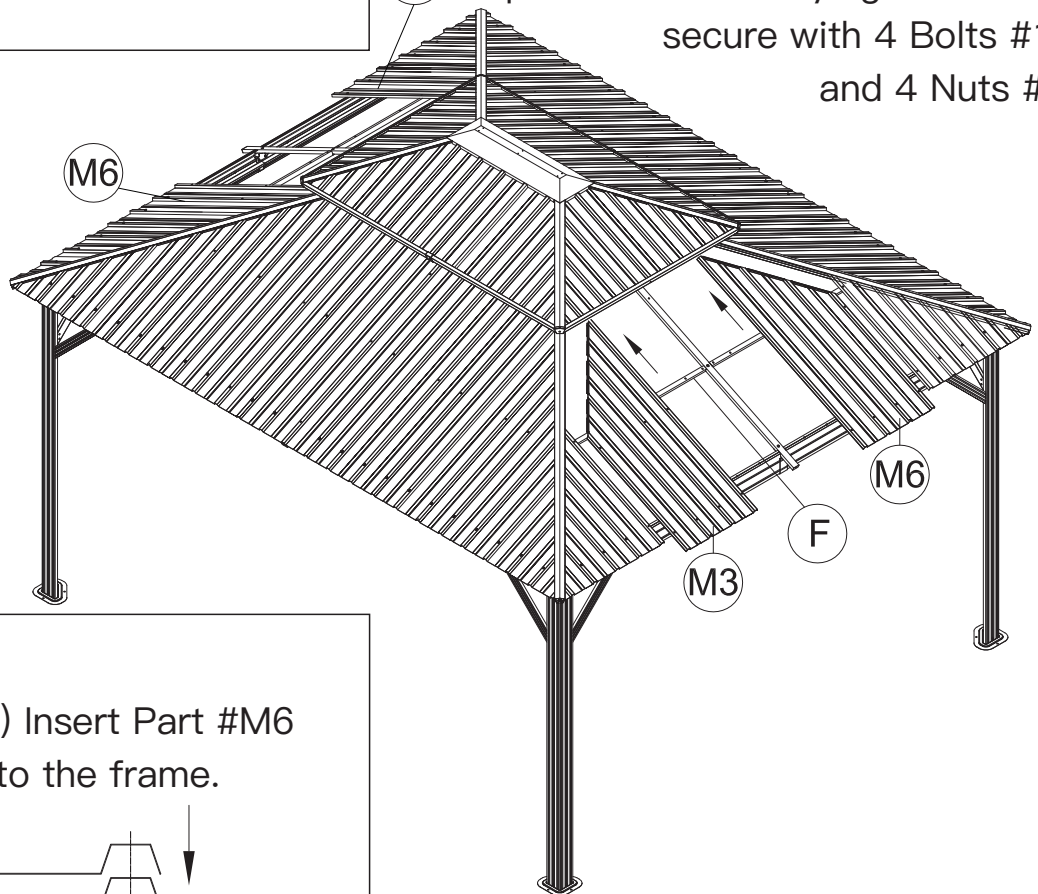
(12) 8x

ATTENTION: The bigger roof panel need to cover the smaller one.

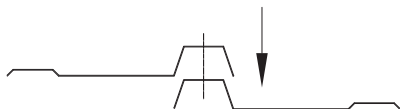
(1) Insert Part #M3 into the frame.



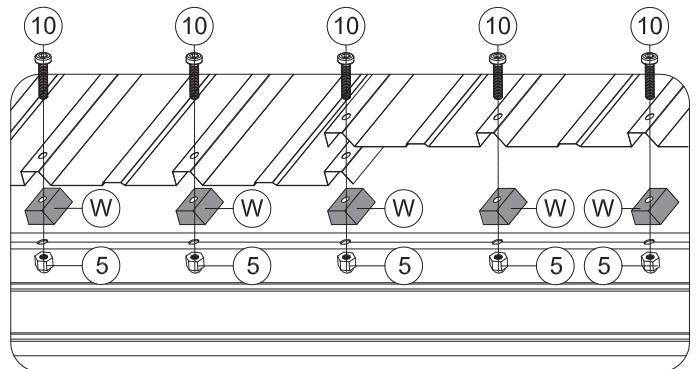
(3) Place 4 Part #W between roof panels and solidifying bars. Then secure with 4 Bolts #12 and 4 Nuts #5.



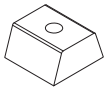
(2) Insert Part #M6 into the frame.



(4) Place 6 Part #W between roof panels and beams. Then secure with 6 Bolts #10 and 6 Nuts #5.



(5) Repeat the above procedures to assemble the opposite side.



W 24x



1 1x



M6

5 20x



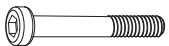
M6x25

9 4x



M6x28

10 12x

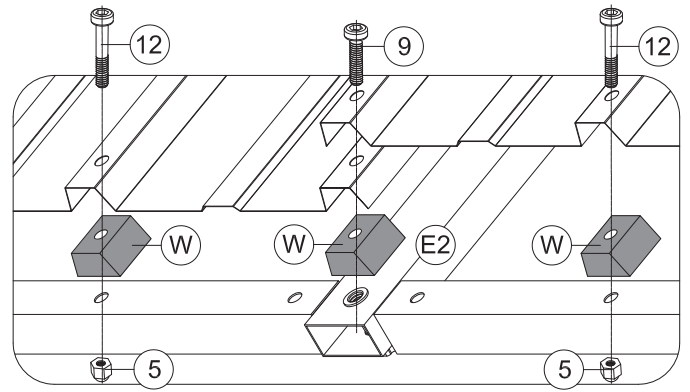
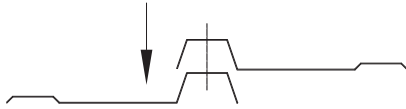


M6x50

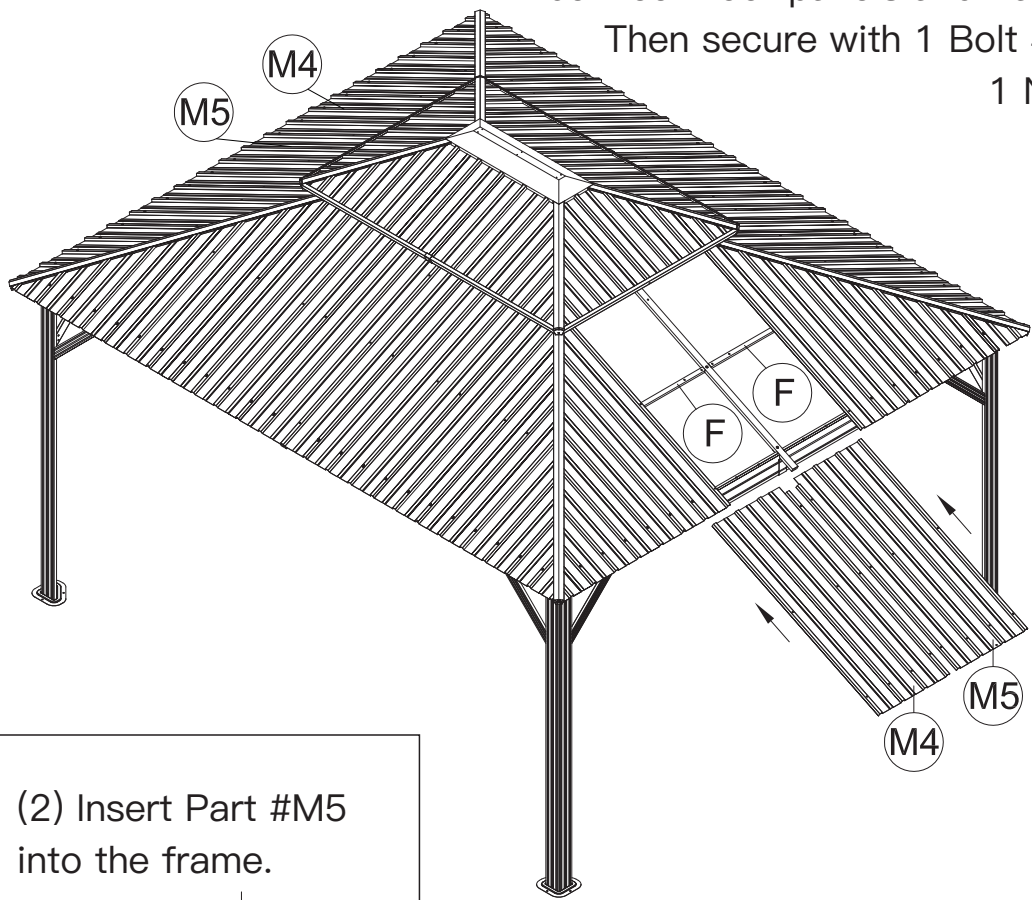
12 8x

ATTENTION: The bigger roof panel need to cover the smaller one.

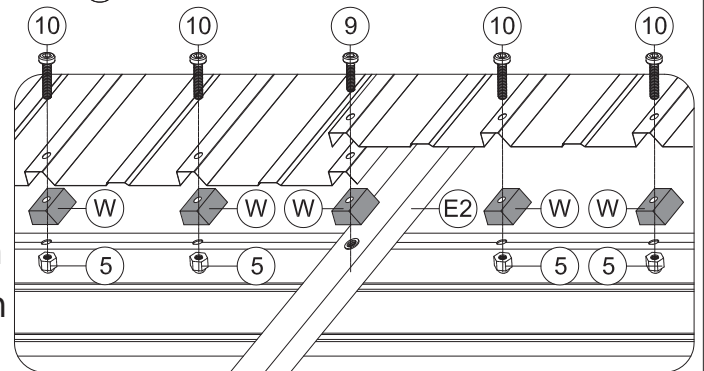
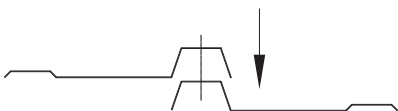
(1) Insert Part #M4 into the frame.



(3) Place 4 Part #W between roof panels and solidifying bars. Then secure with 4 Bolts #12 and 4 Nuts #5; Place 1 Part #W between roof panels and Part #E2. Then secure with 1 Bolt #9 and 1 Nut #5.

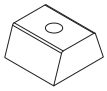


(2) Insert Part #M5 into the frame.



(4) Place 6 Part #W between roof panels and beams. Then secure with 6 Bolts #10 and 6 Nuts #5; Place 1 Part #W between roof panels and Part #E2. Then secure with 1 Bolt #9 and 1 Nut #5.

(5) Repeat the above procedures to assemble the opposite side.



W 4x

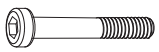


1 1x



M6

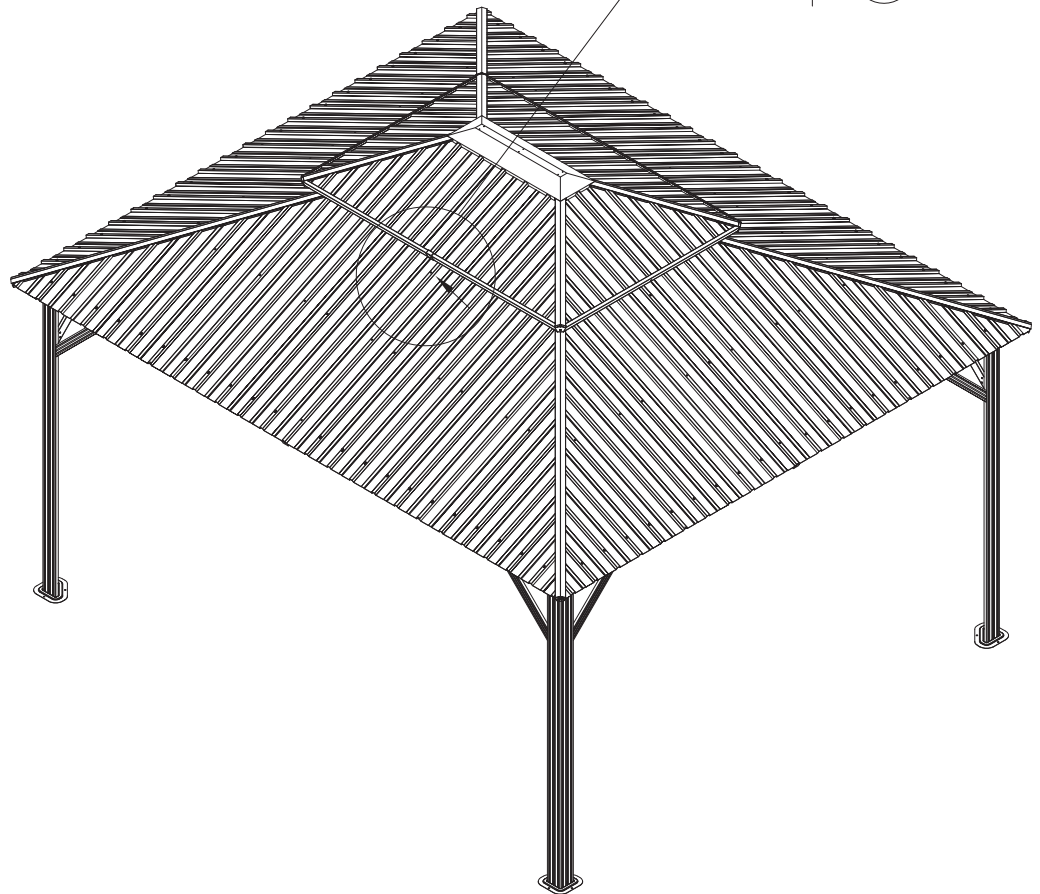
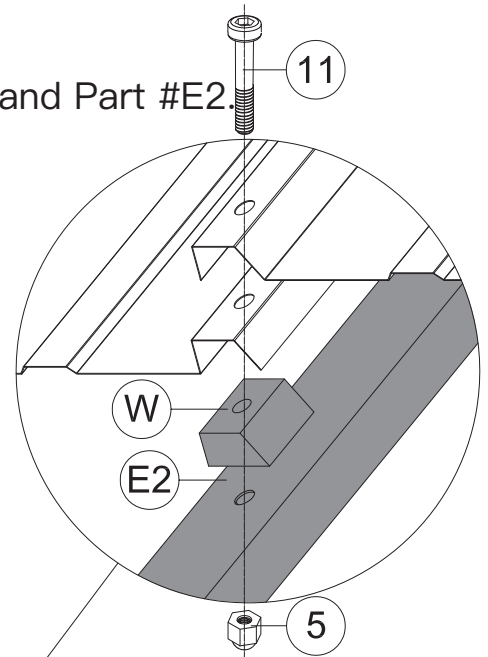
5 4x



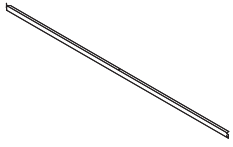
M6x45

11 4x

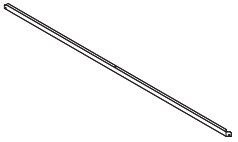
(1) Place Part #W between roof panels and Part #E2. Then secure with Bolt #11 and Nut #5.



(2) Repeat the above procedures to assemble the other 3 sides.



(K2) 2x



(K3) 2x



(X2) 2x

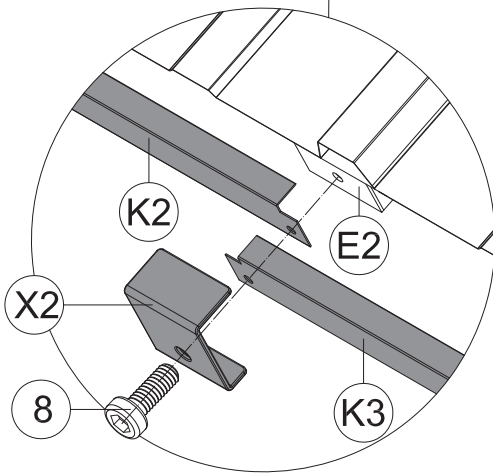
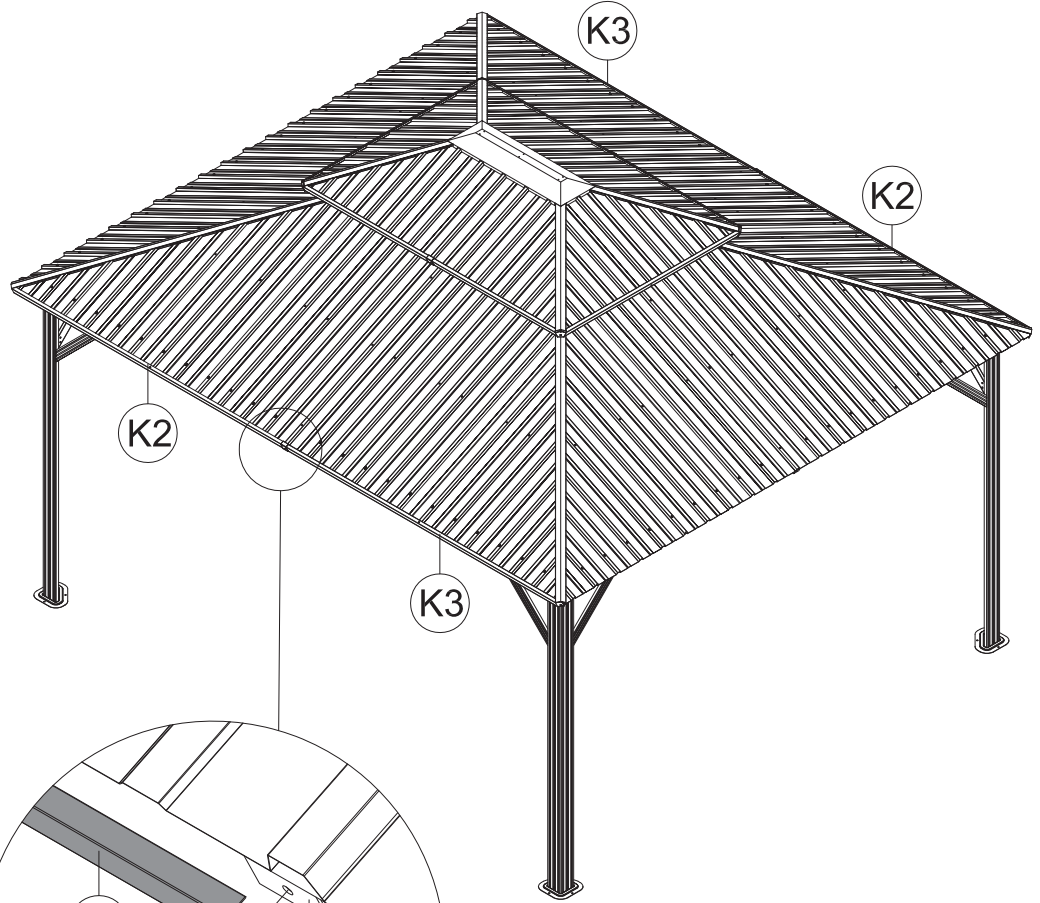


(1) 1x



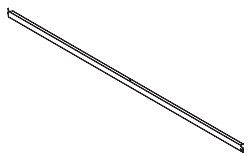
M6x16

(8) 2x

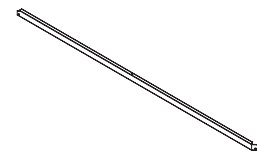


(1) Place Part #K2 and Part #K3 on Part #E2;
Put on Part #X2 and secure with Bolt #8.

(2) Repeat the above procedures to assemble the opposite side.



(K) 2x



(K1) 2x



(X2) 2x



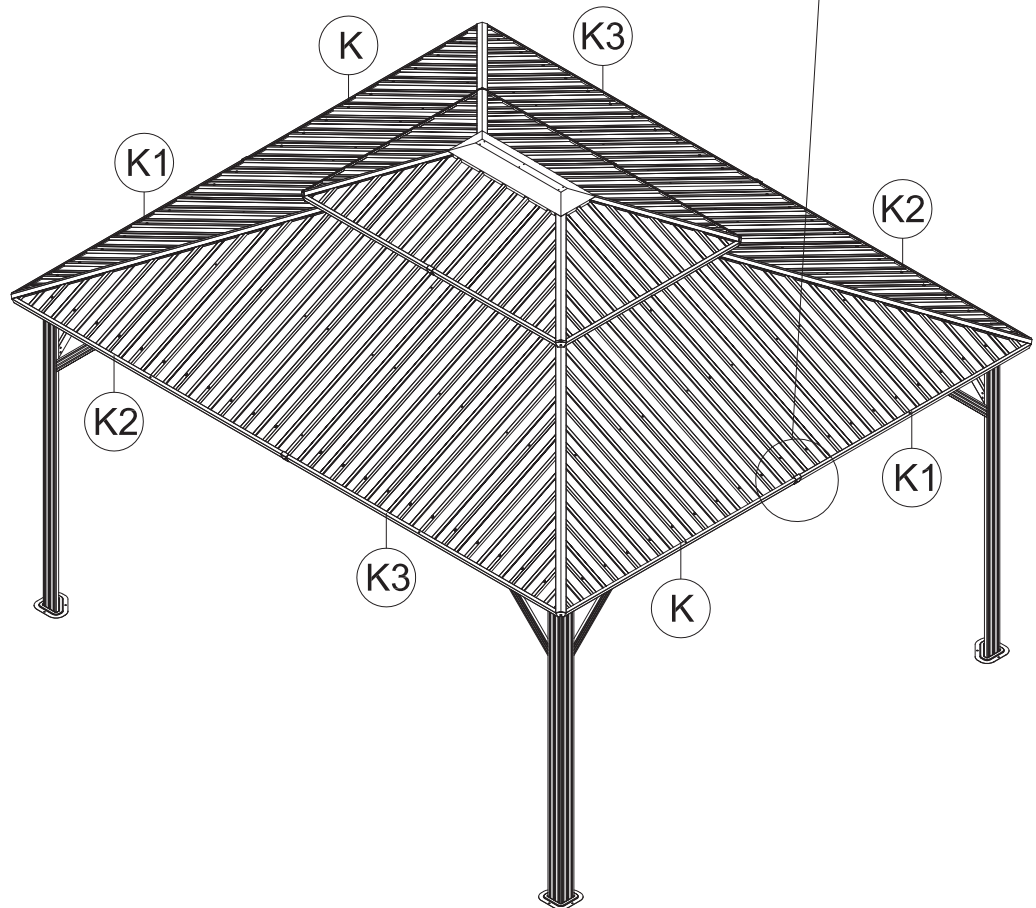
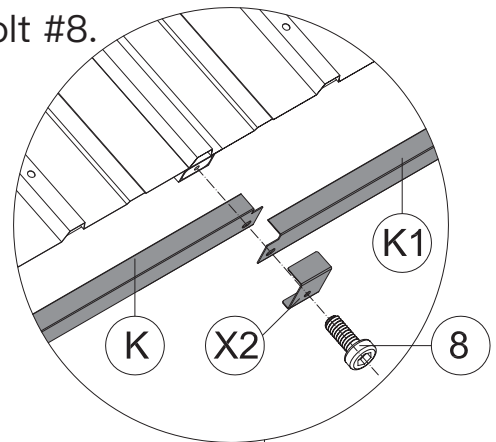
(1) 1x



M6x16

(8) 2x

(1) Place Part #K and Part #K1 on Part #E2;
Put on Part #X2 and secure with Bolt #8.



(2) Repeat the above procedures to assemble the opposite side.



X3 4x

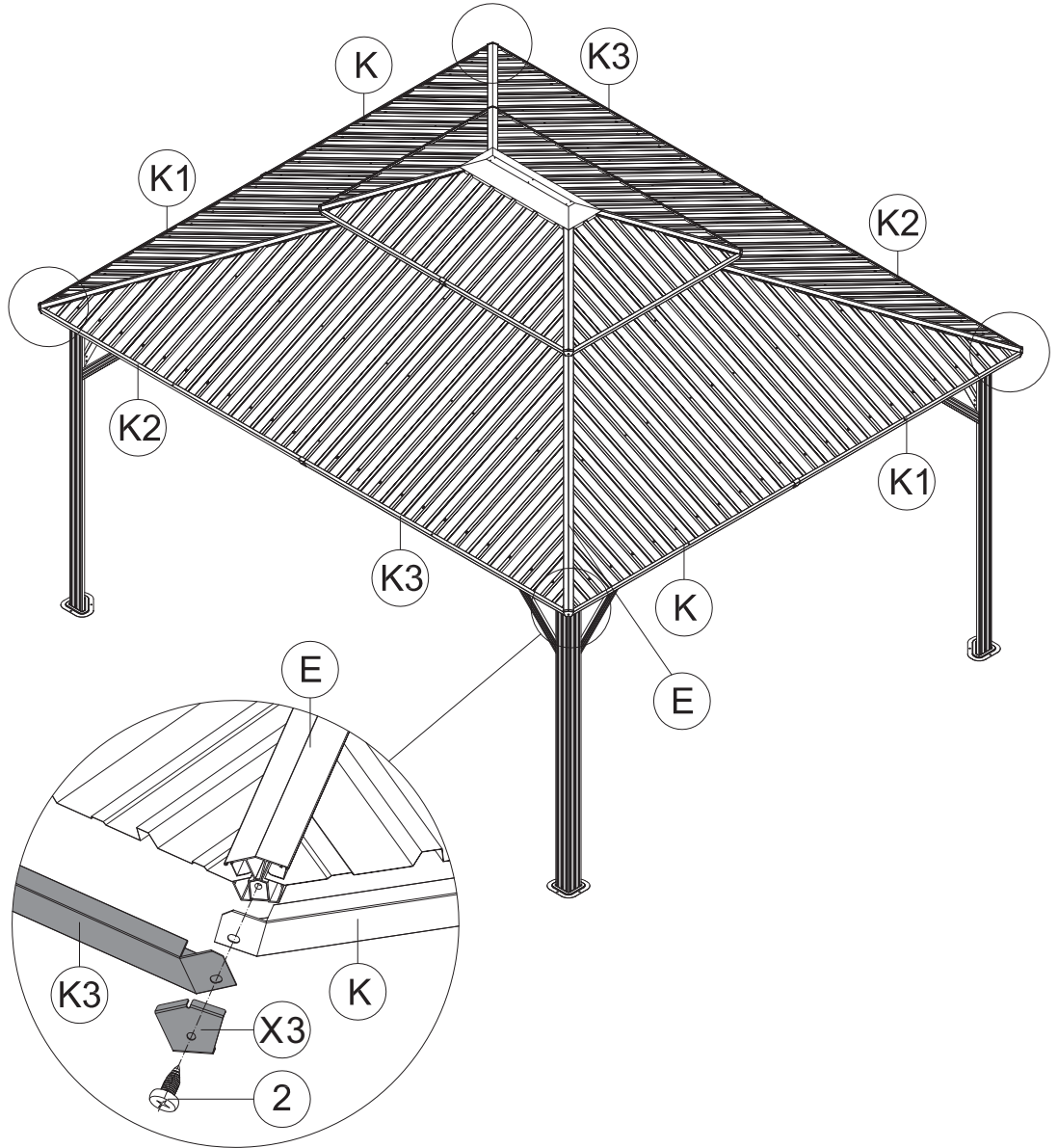


1 1x



ST6.3x15

2 4x



(1) Place Part #K3 and Part #K on Part #E;
Put on Part #X3 and secure with Self-tapping Screw #2.

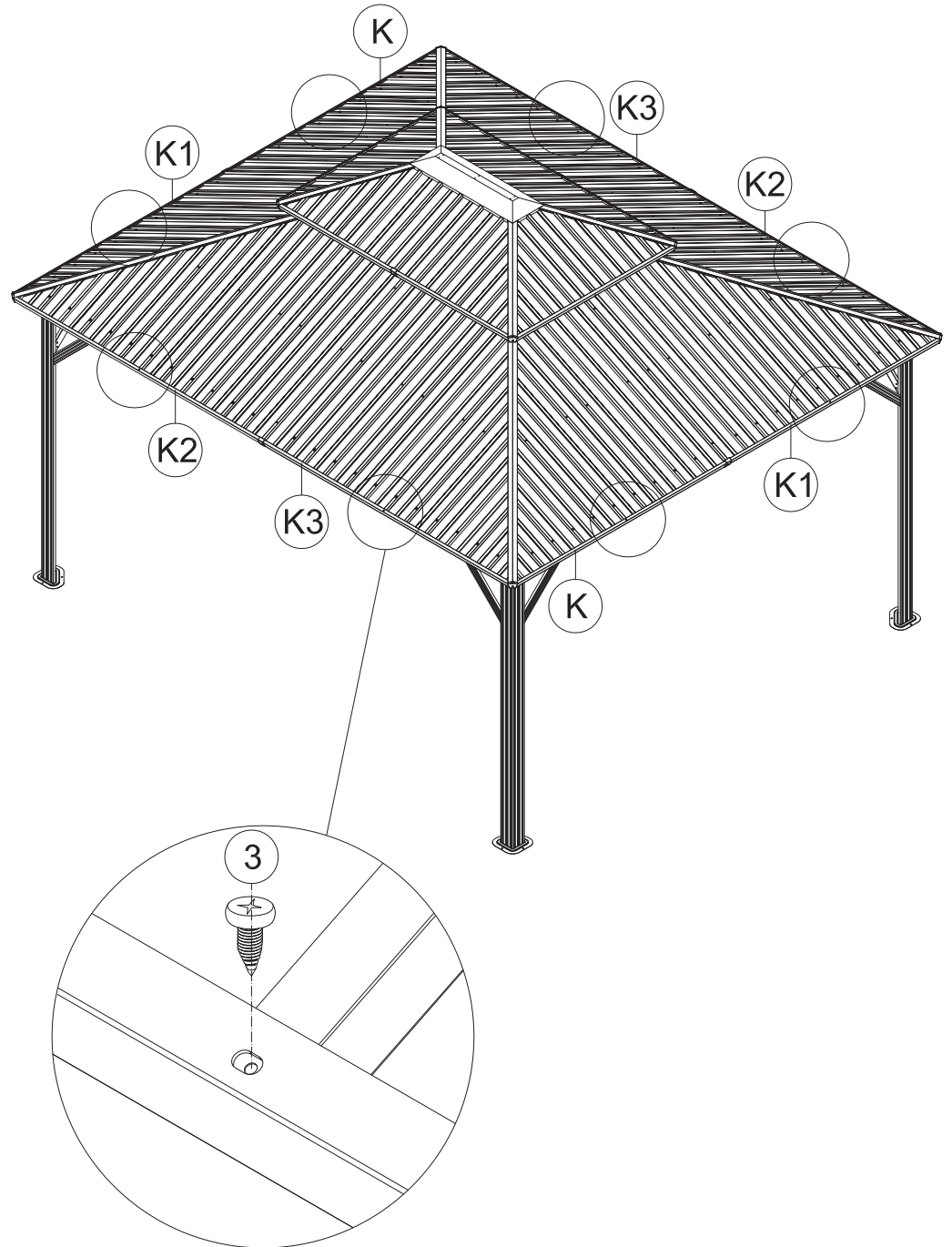
(2) Repeat the above procedures to assemble the other 3 corners.



ST5x16

3

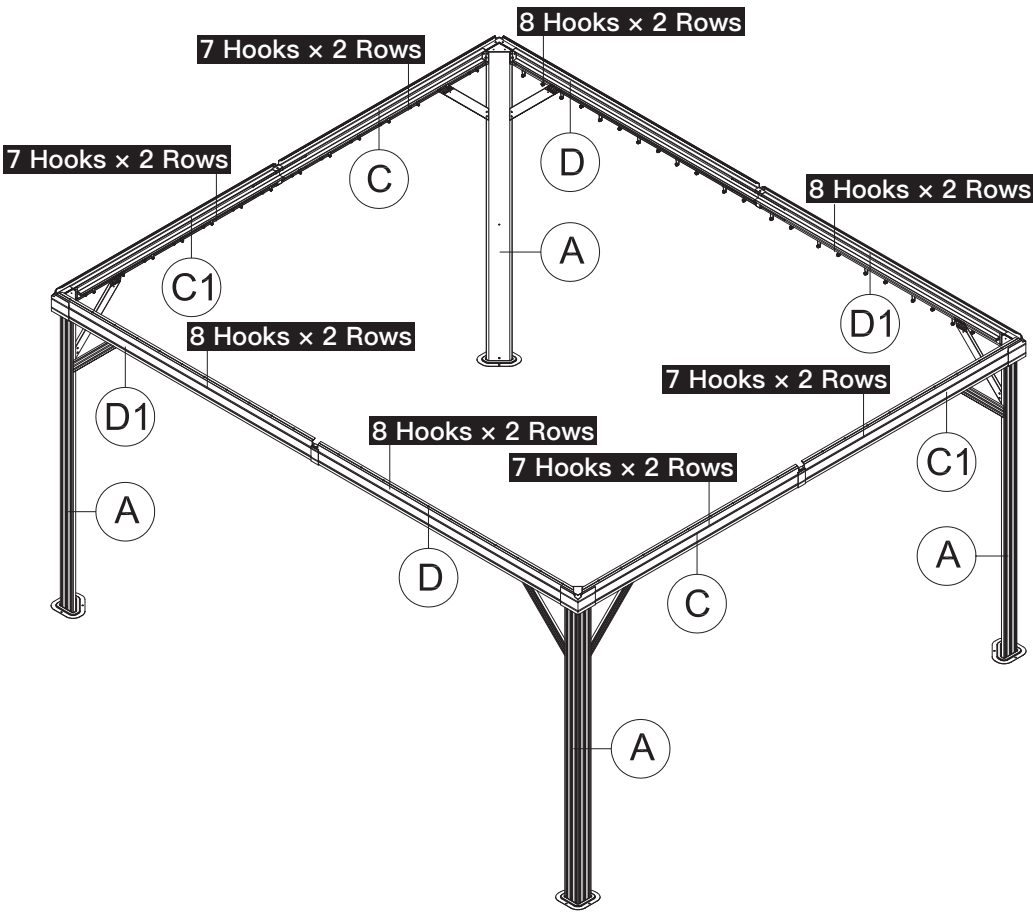
8x



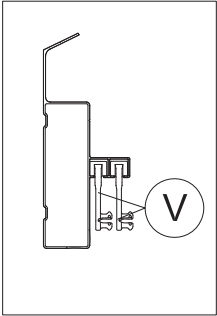
(1) Attach roof panels to finishing bars with 2 Self-tapping Screws #3.

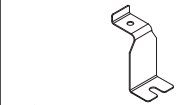
(2) Repeat the above procedures to assemble the other 3 sides.

How to Put the 92 Hooks into the Double-track



Double-track





T1 2x

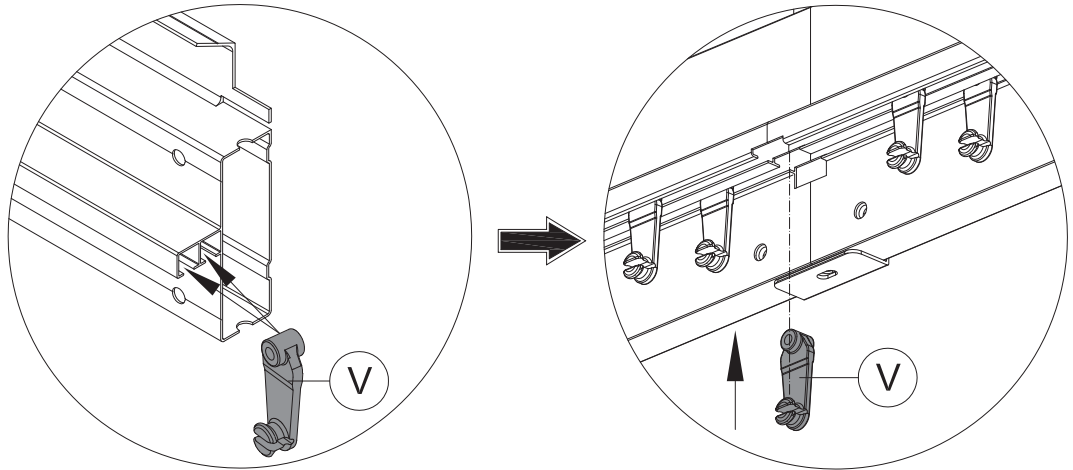


V 56x

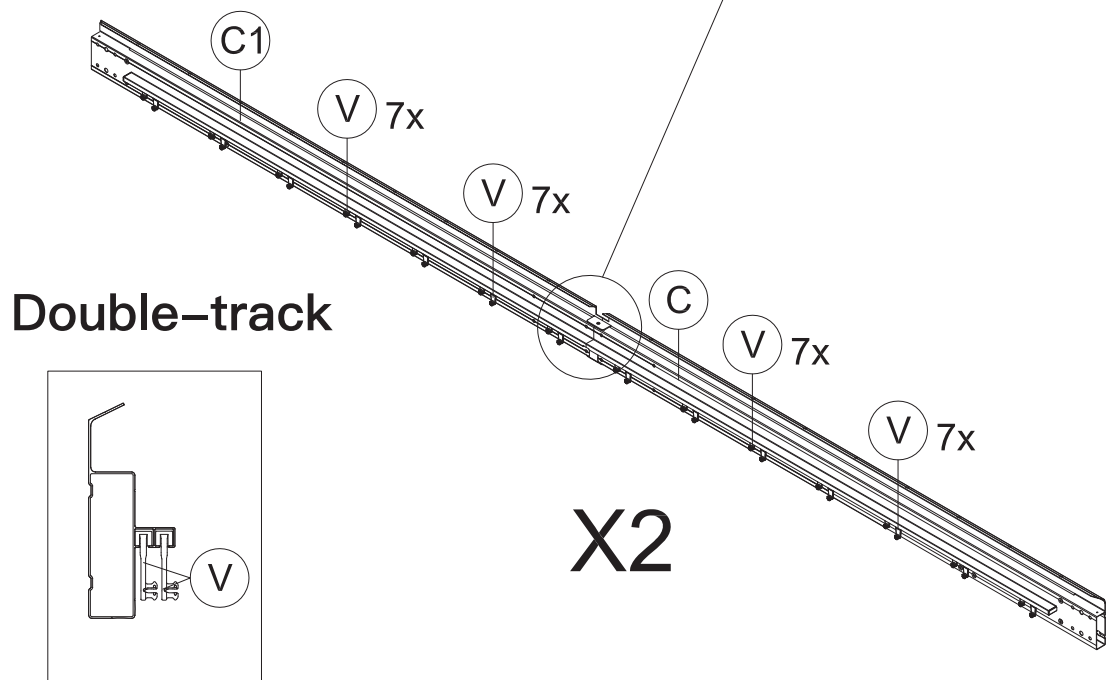
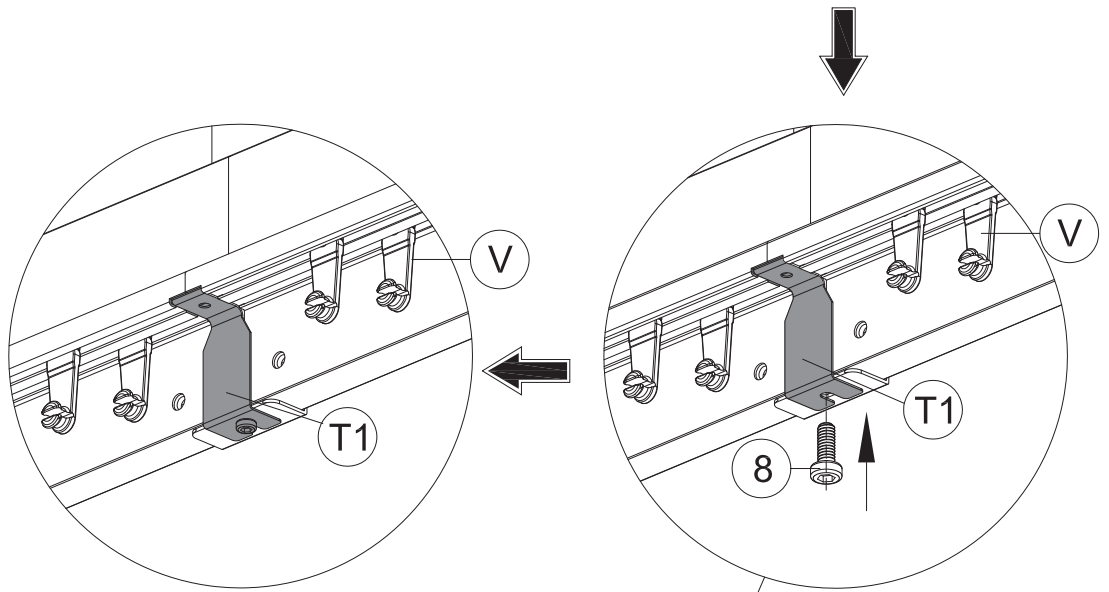


1 1x

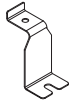



(1) Place 7 hooks on each slot of the Sidewall Track(C1&C).



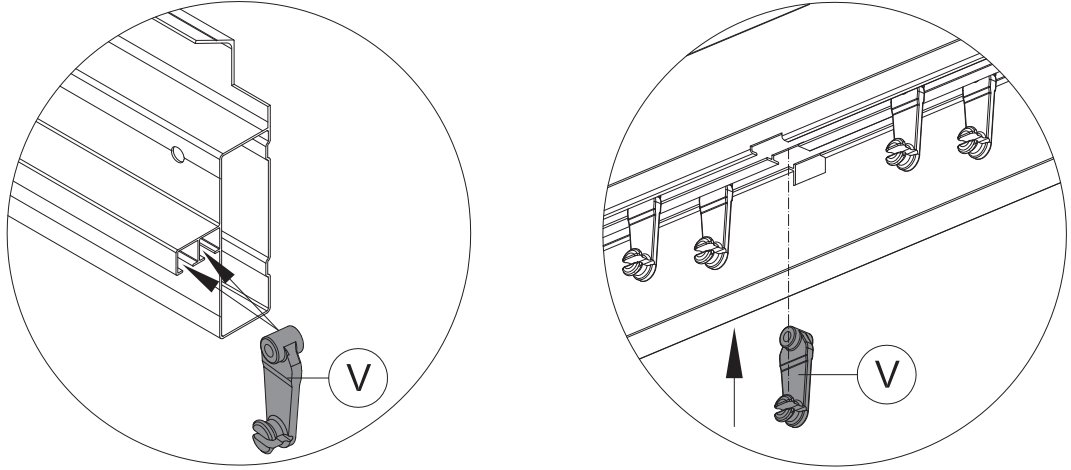
(2) Install Part #T1 at the joint of Part C&C1 with Bolt #8.



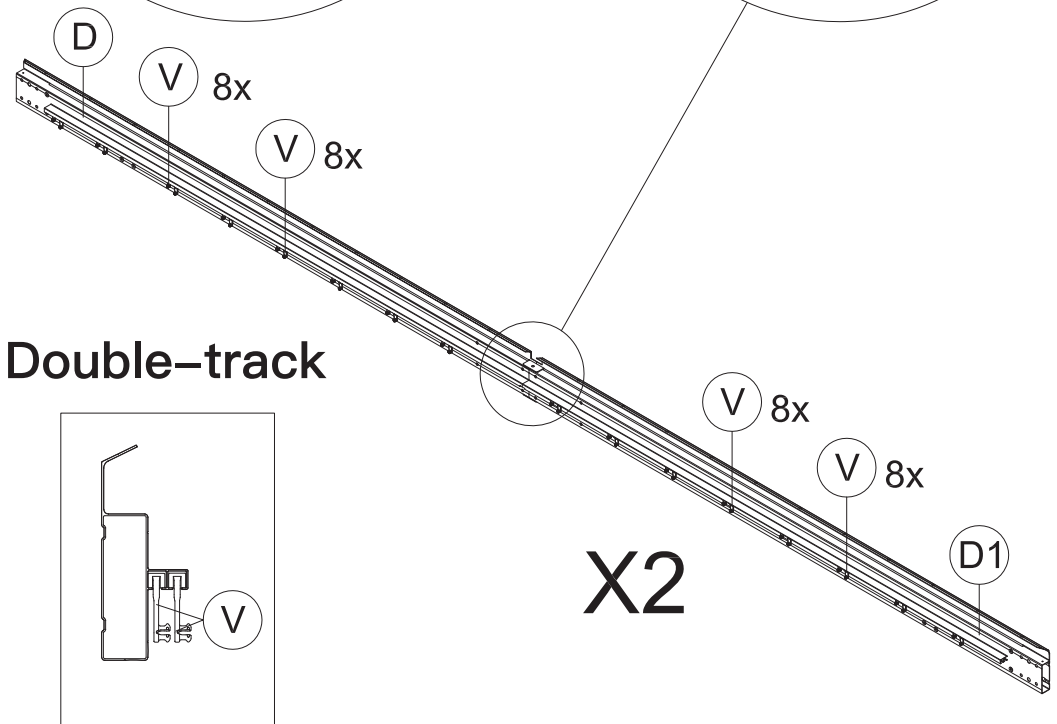
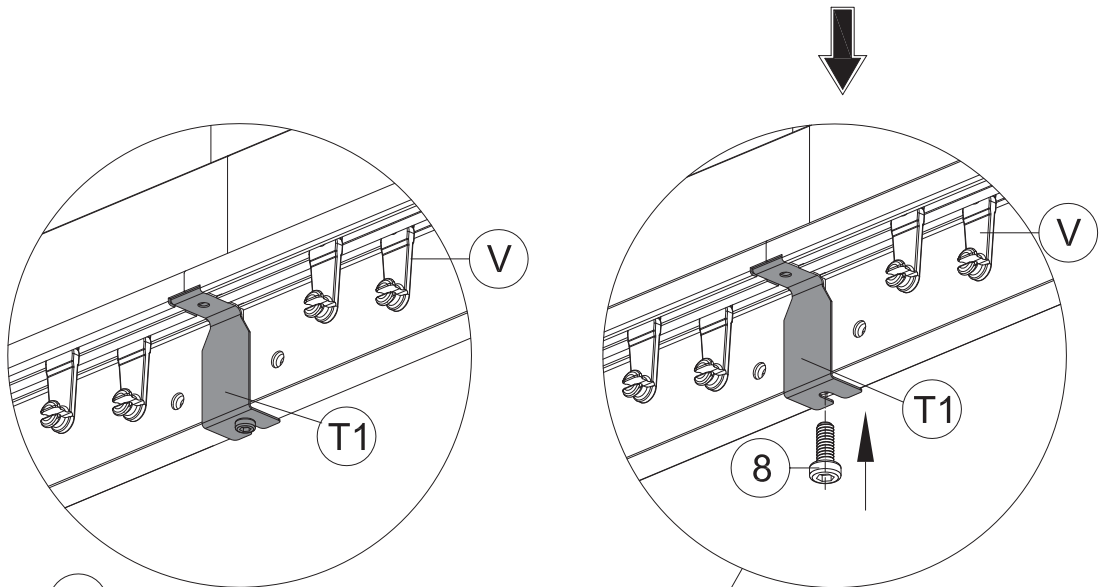
(3) Repeat the above procedures to assemble the opposite side.

-  T1 2x
-  V 64x
-  S4
-  1 1x

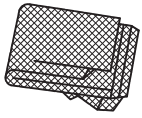
(1) Place 8 hooks on each slot of the Sidewall Track(D&D1&D2).



(2) Install Part #T1 at the middle of Part #D2 with Bolt #8.

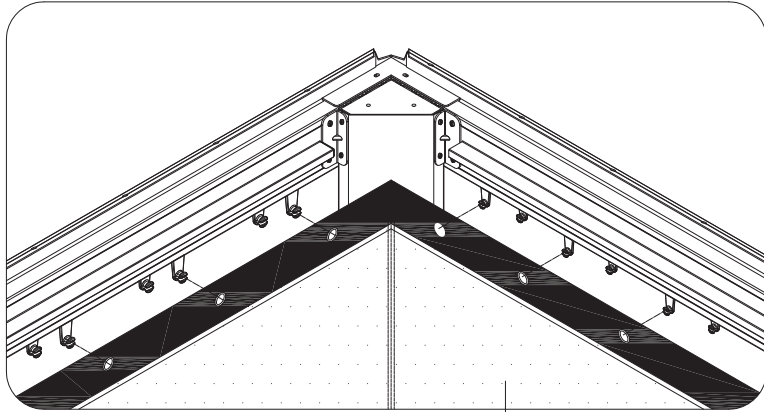


(3) Repeat the above procedures to assemble the opposite side.

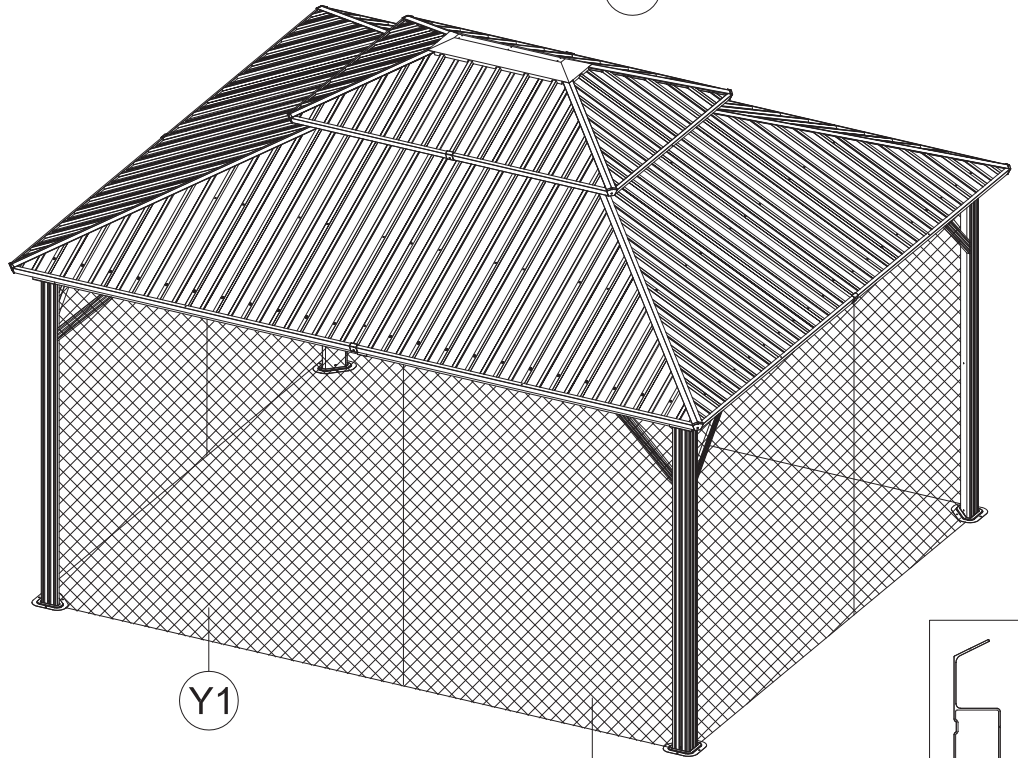


Y1 4x

Hang up Mosquito Sidewalls to **Inside Track**



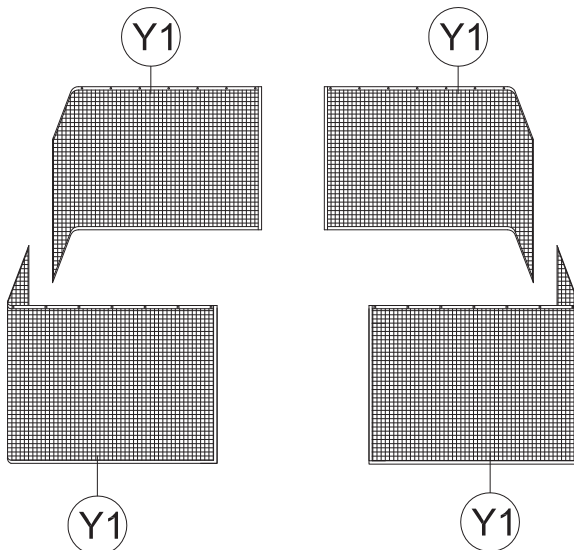
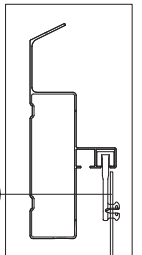
Y1



Y1

Y1

Y1

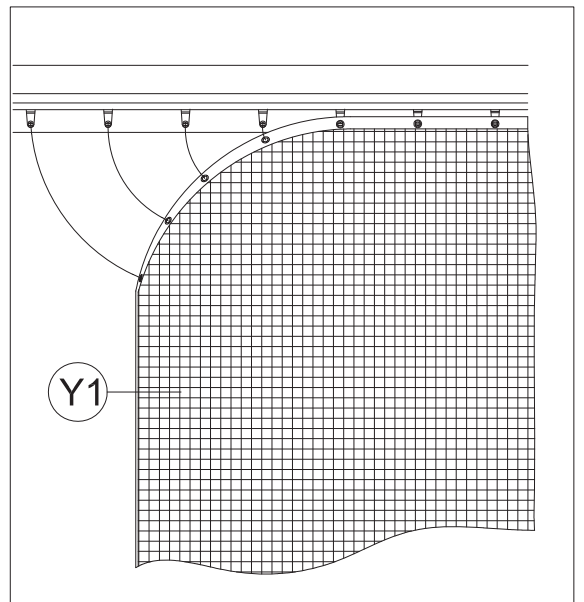


Y1

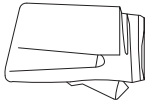
Y1

Y1

Y1



Y1



Y 4x

Hang up Solid Sidewalls to **Outside Track**

