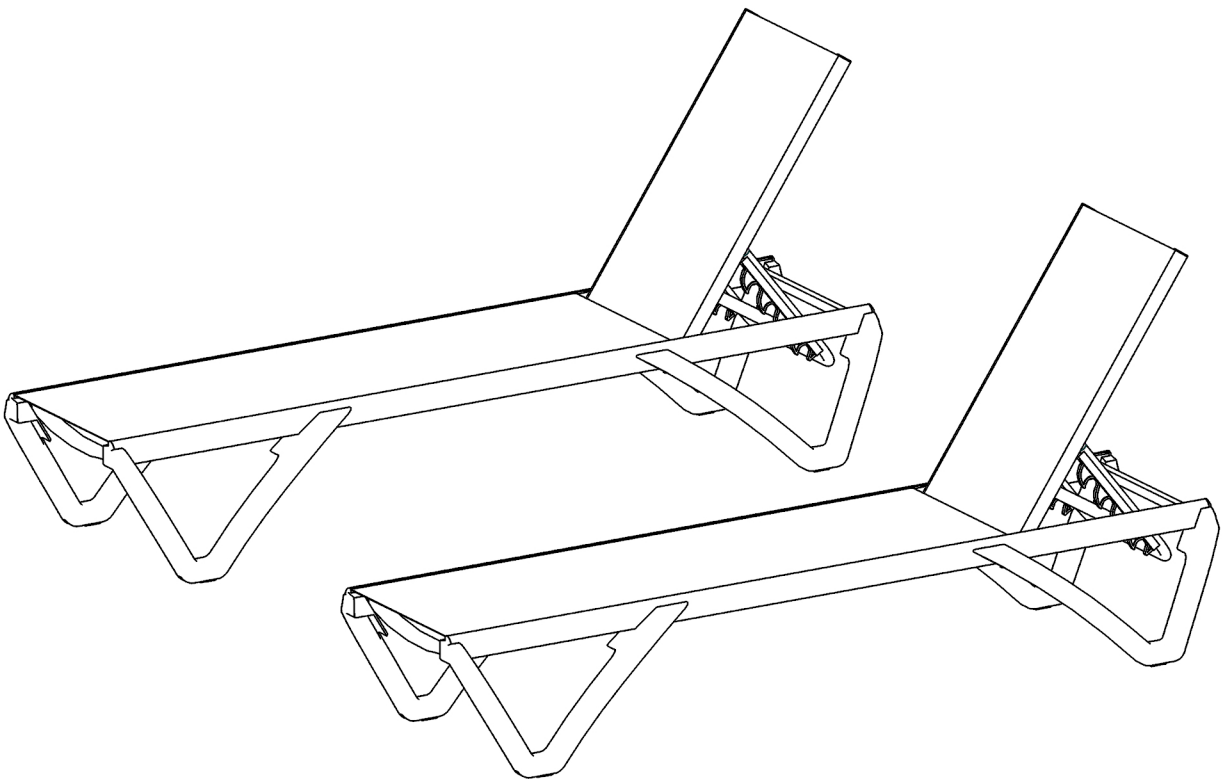




PATIO LOUNGE CHAIR

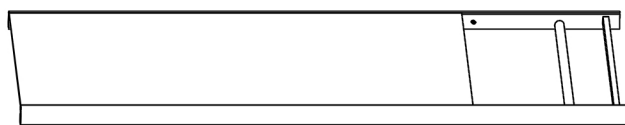
MODEL#: LLDZ0585

# ASSEMBLY MANUAL

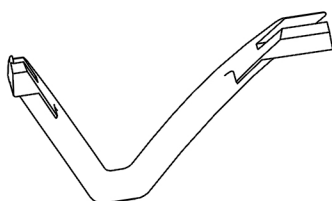


Missing part? Damaged? Contact us via email at  
[domiservice01@outlook.com](mailto:domiservice01@outlook.com)

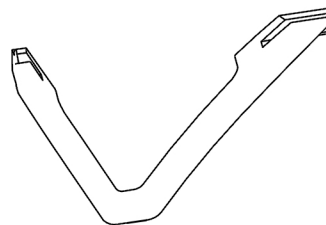
**A** 2X Main Seat Frame



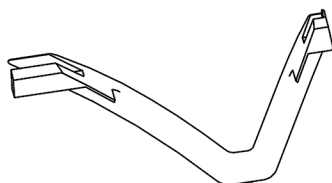
**B** 2X Leg



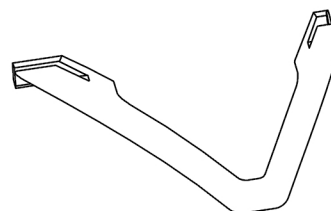
**C** 2X Leg



**D** 2X Leg



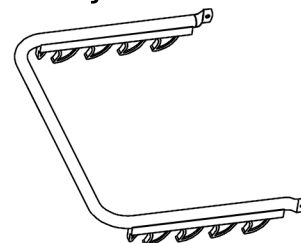
**E** 2X Leg



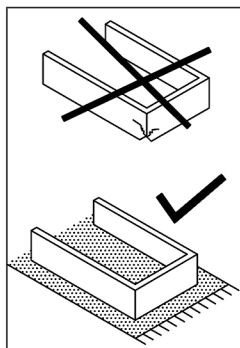
**F** 2X Back



**G** 2X Adjustment Tube



Please assemble the lounge chair on the carton or carpet to avoid scratch.



**H** 24X Bolts



**M6X30**

**J** 4X Bolts



**M6X35**

**K** 4X Bolts

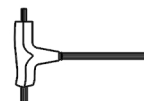


**M6X20**

**M** 4X Plastic Cylinder

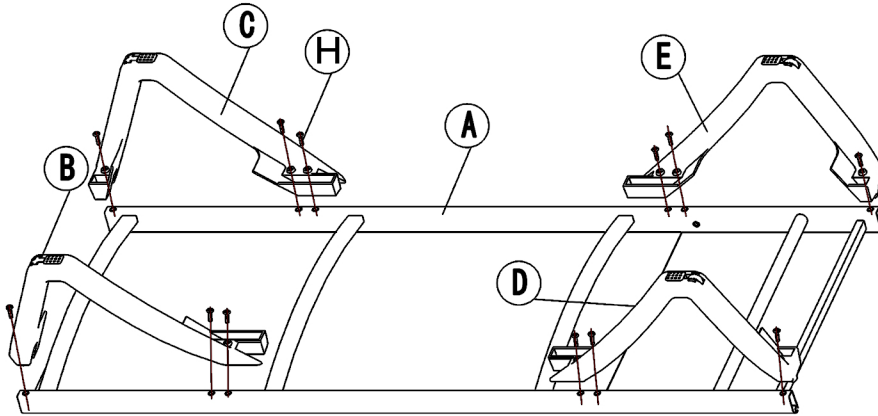


**N** 1X Allen Wrench

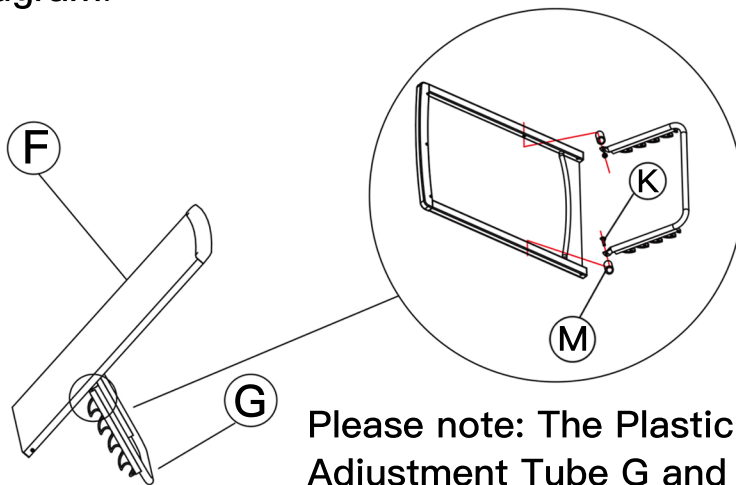


**! Warm Tip:** Please don't tighten screws before finish assemble.

Step 1: Fix 4 legs (Parts B,C, D, E) to Main Seat Frame A separately using 12X Bolts H (M6×30) as shown in diagram.

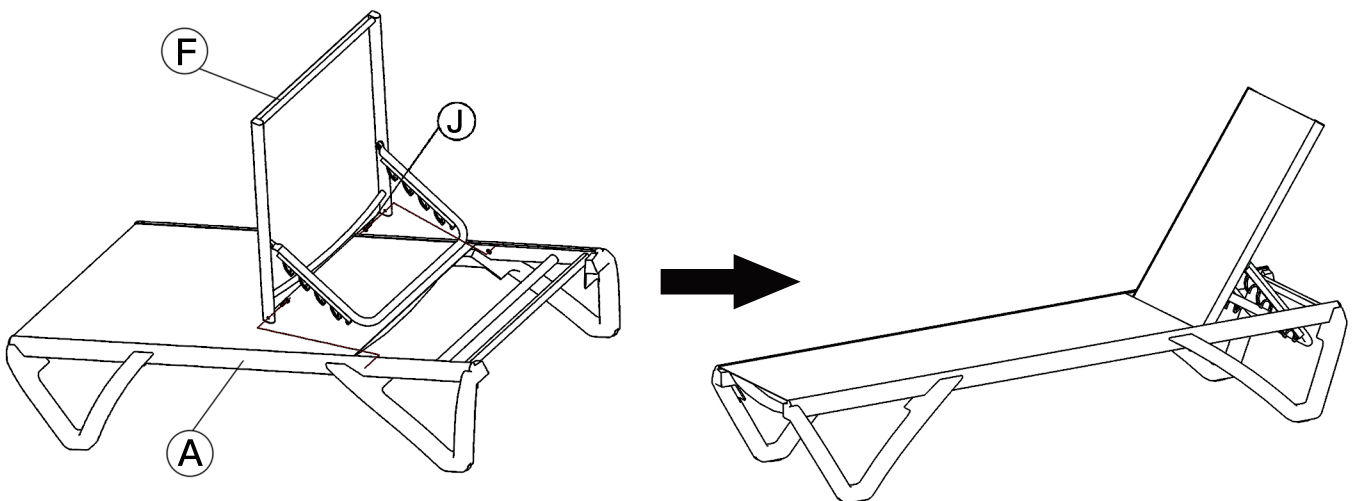


Step 2: Link Adjustment Tube G to Back F using Bolts K (M6×20) as shown in diagram.



Please note: The Plastic Cylinder M must be between Adjustment Tube G and Back F.

Step 3: Connect Back F to Main Seat Frame A using Bolts J (M6×35) as shown in diagram.





RESORT COMFORT IN YOUR  
OWN BACKYARD

## Thanks for your purchase.

At domi outdoor living, we believe in our products.

That's why we provide a 12-month warranty and

friendly, easy-to-reach after-sales service. So if you

have any questions about our product and assembly-

, please feel free to contact us. We will be here for you.

**Support:**  

email: [domiservice01@outlook.com](mailto:domiservice01@outlook.com)

Please tell us your order ID when contact.

Attach photos of damaged part for instant reply.