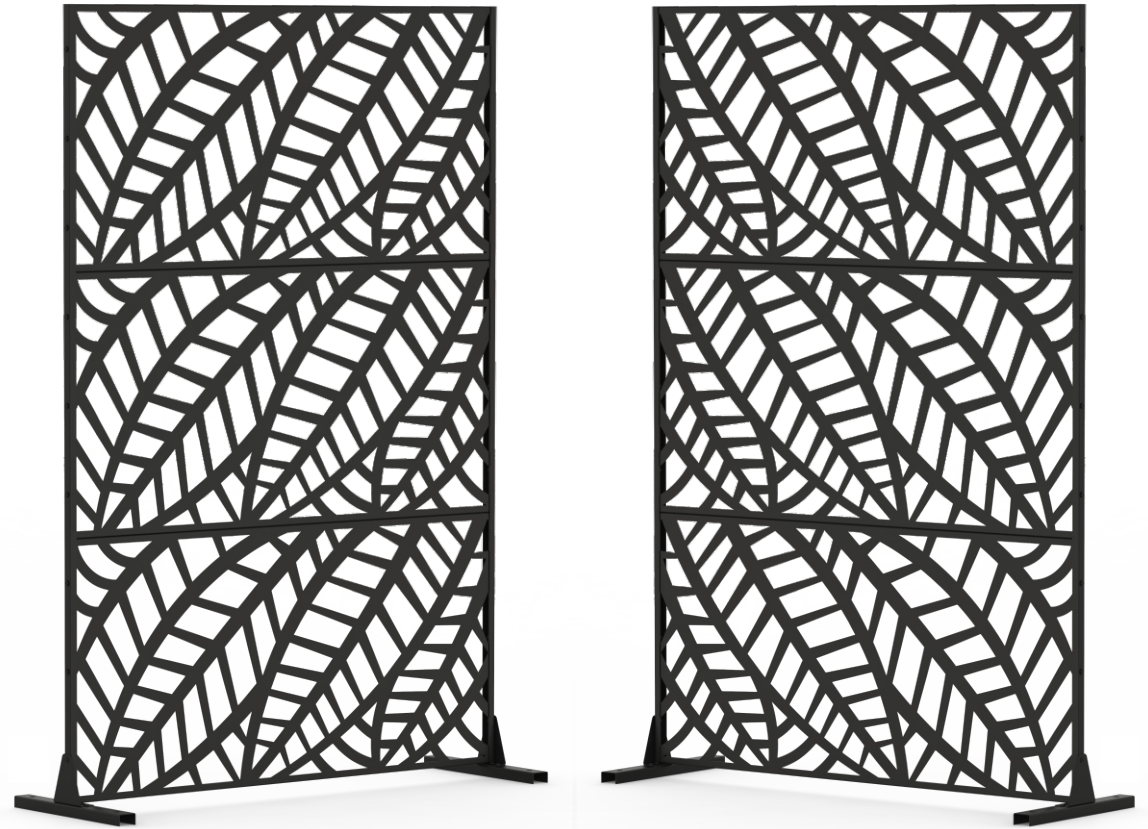


Outdoor Privacy Screen

ASSEMBLY MANUAL



Missing part? Damaged? Contact us via email at
service@domioutdoorliving.com

www.domioutdoorliving.com

SKU: LNCF0560



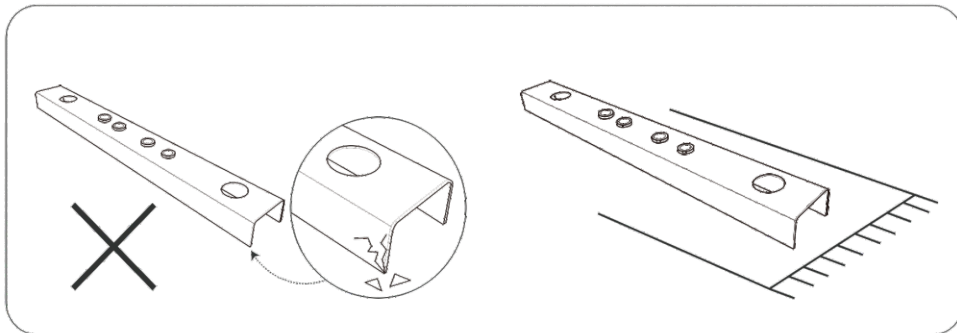
If the privacy screen will be used in a strong wind area, we highly recommend you using four Hex-Head Sleeve Anchors to fix the privacy screen on solid ground.

Before assembling, we recommend:

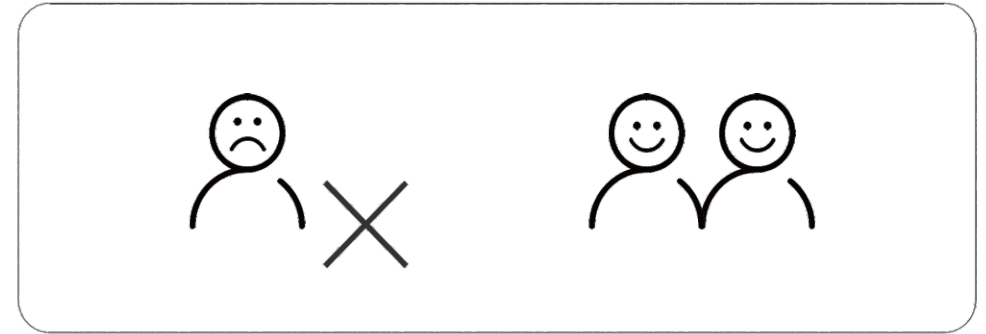
1. Wear Gloves.



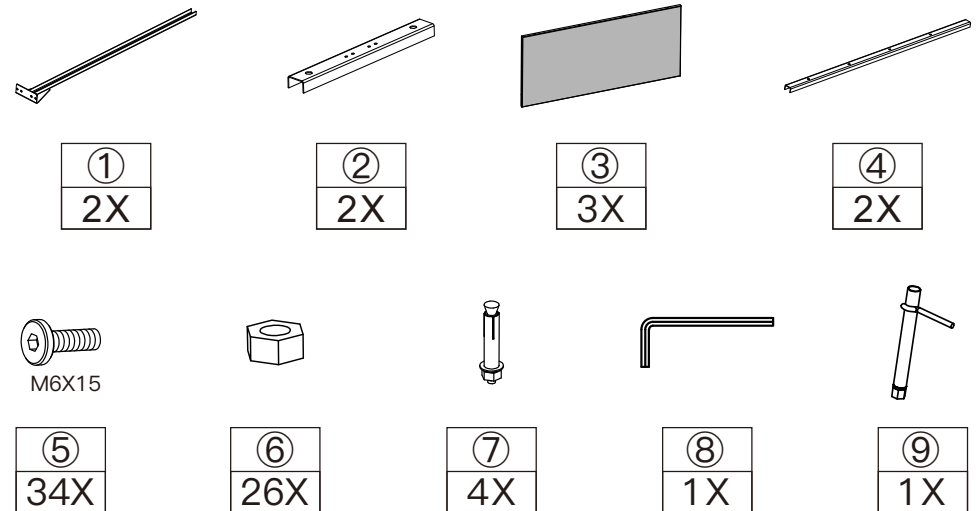
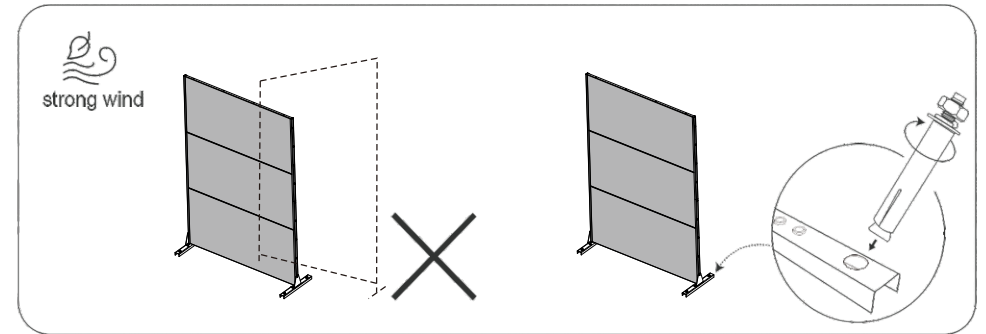
2. Don't assemble the privacy screen on a Hard Surface.



3. Ask for a Helping Hand.



4. Use Hex-Head Sleeve Anchors to fix the privacy screen on solid ground if necessary.

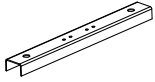


Vertically Install

①



①
2X



②
2X



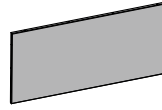
M6X15

⑤
8X



⑧
1X

②



③
1X



M6X15

⑤
6X



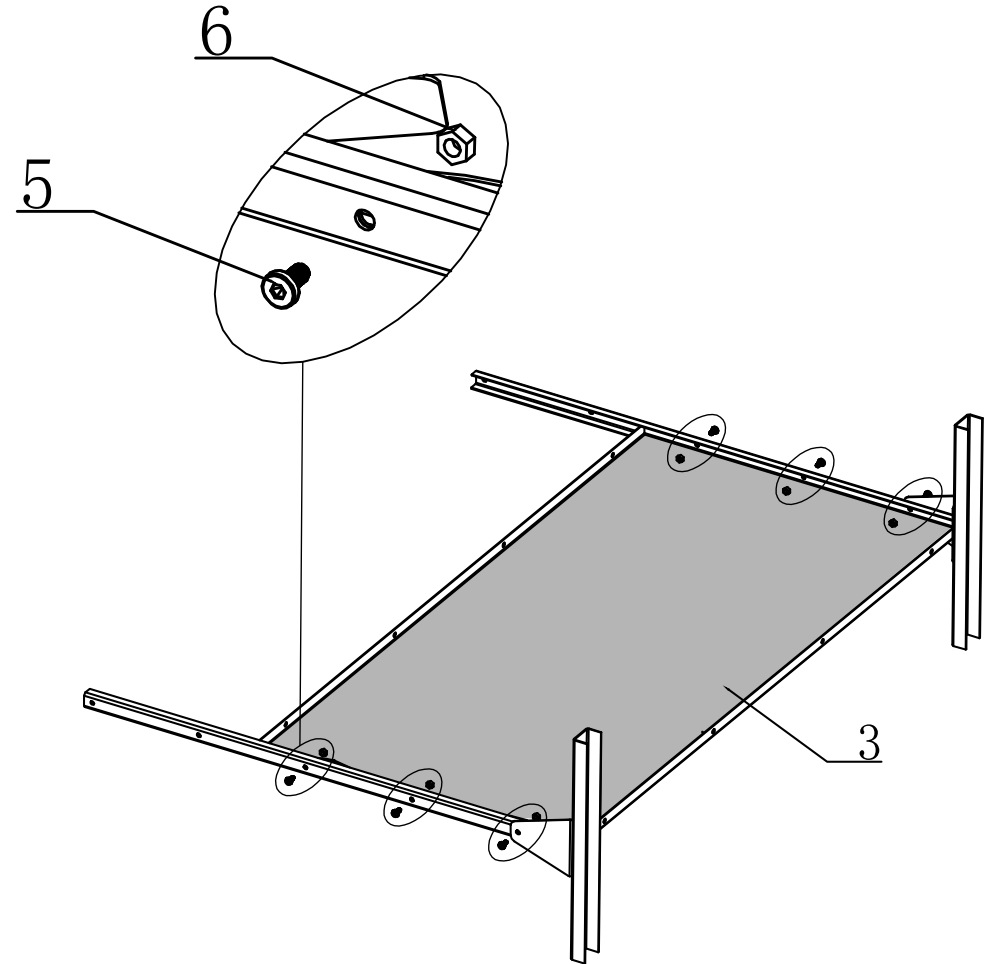
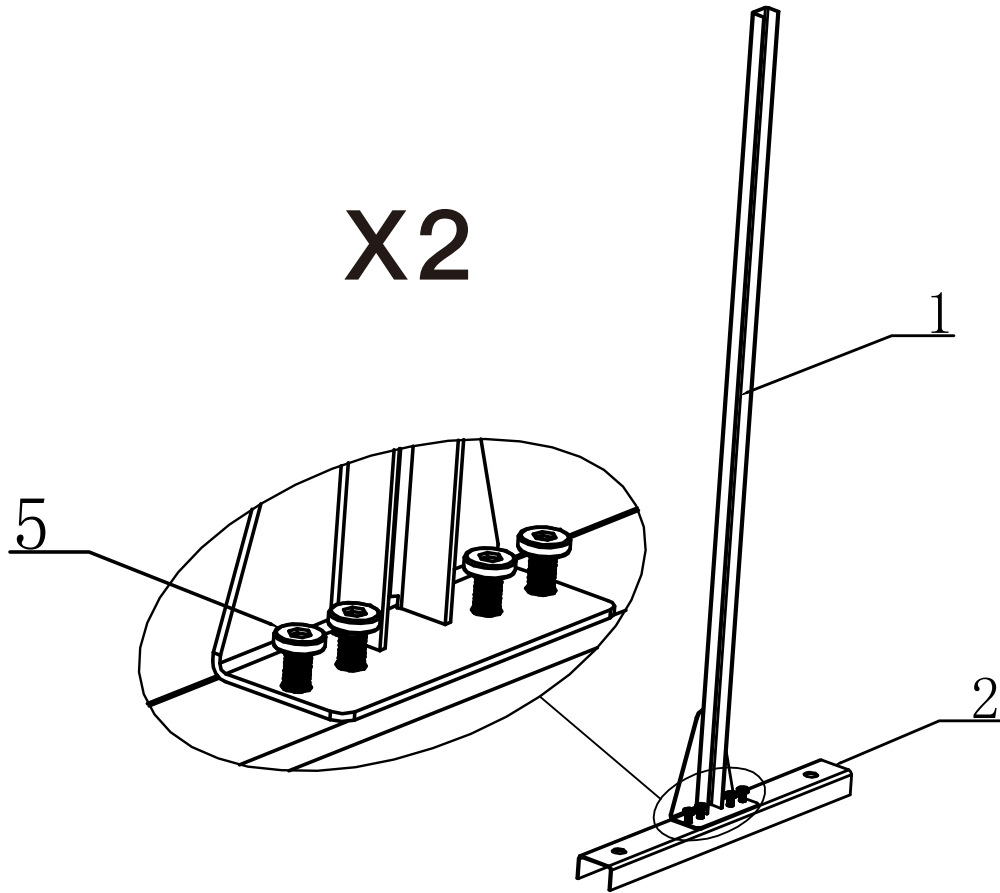
⑥
6X

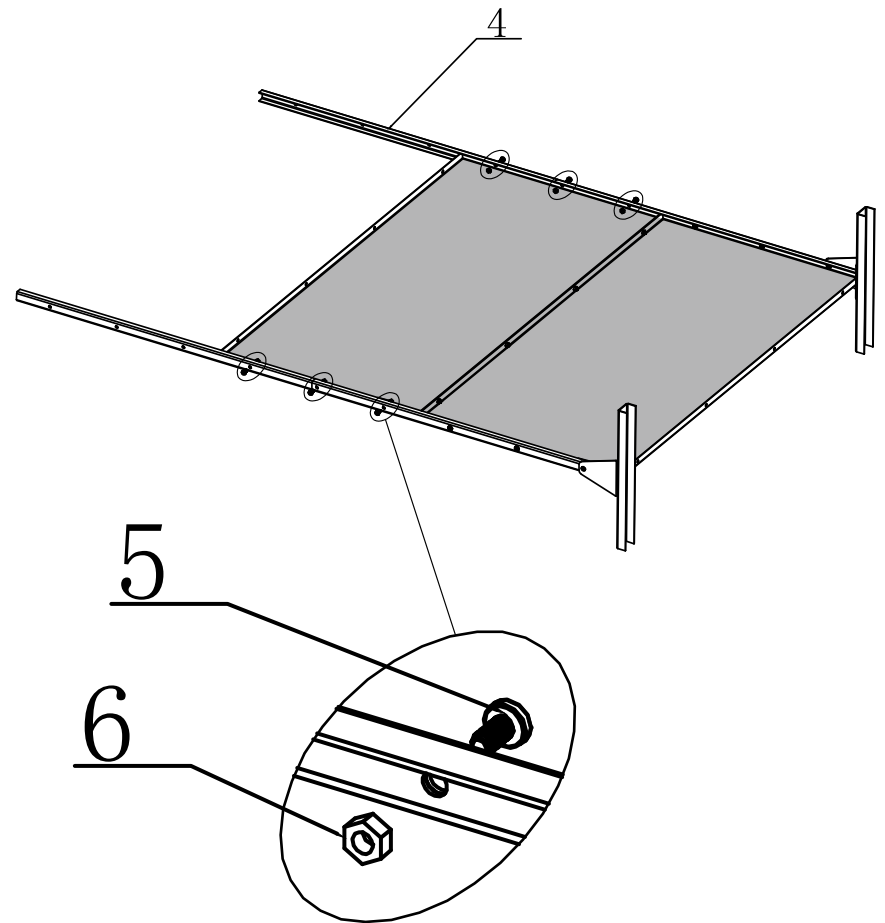
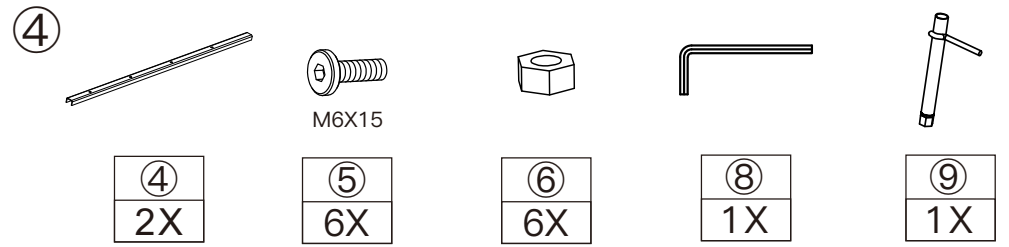
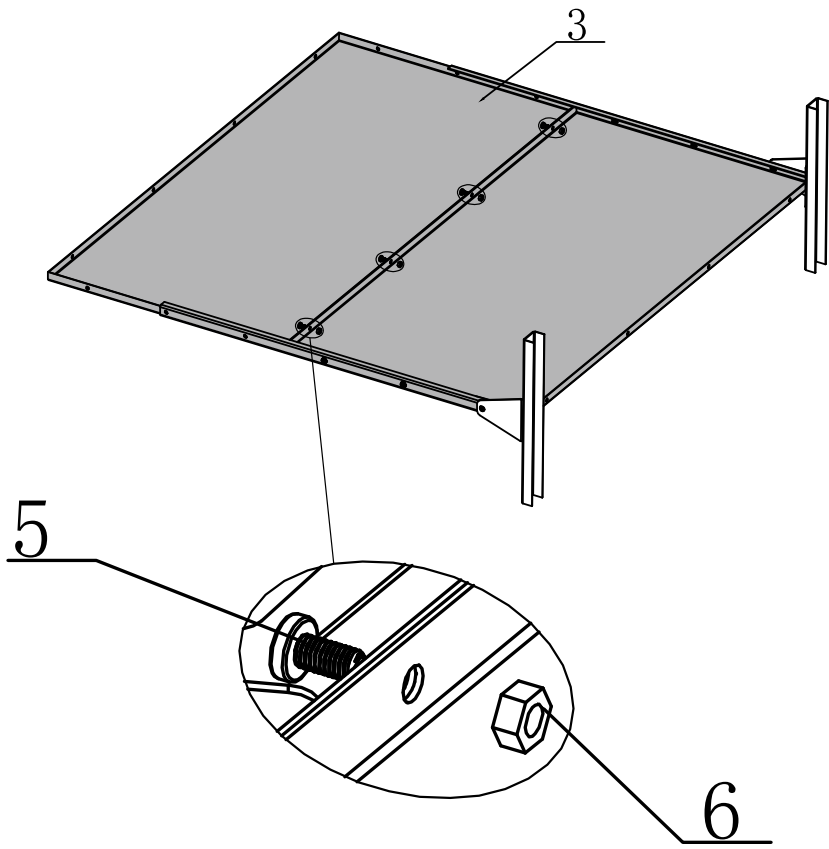
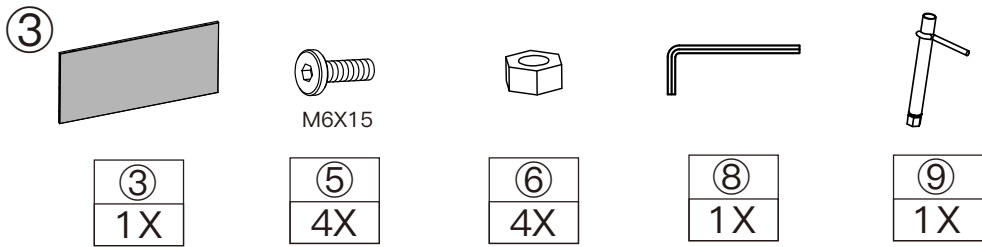


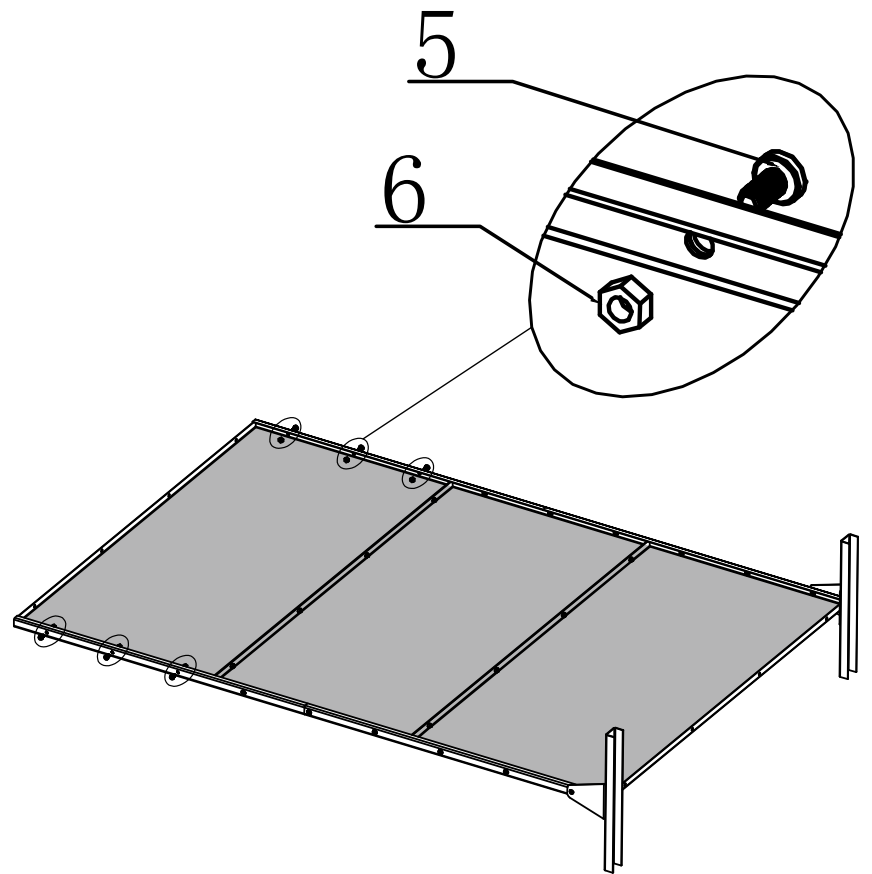
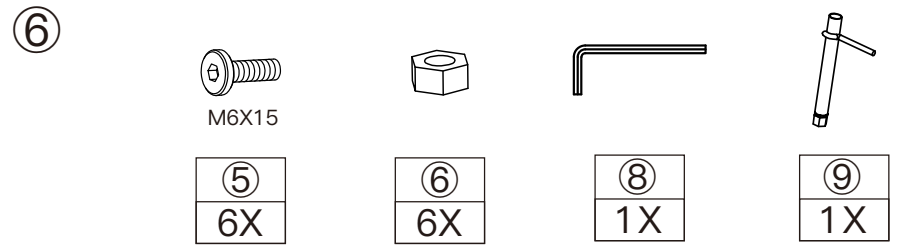
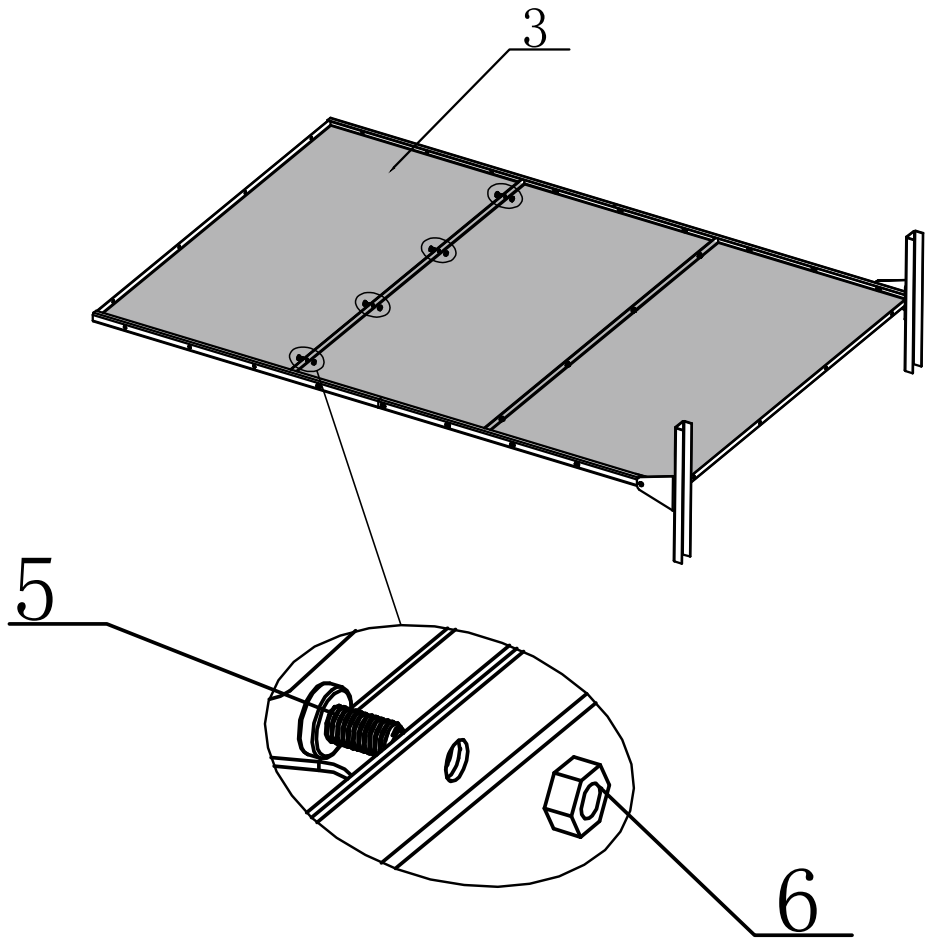
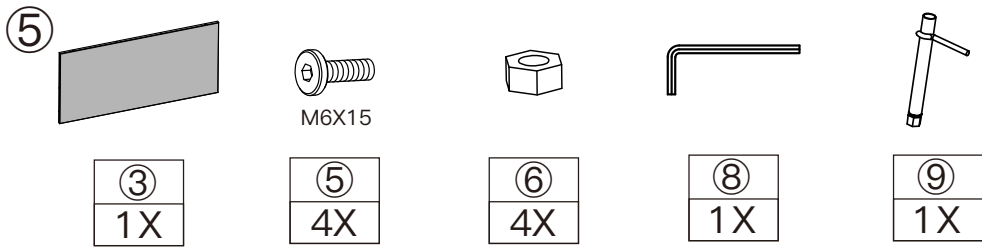
⑧
1X



⑨
1X





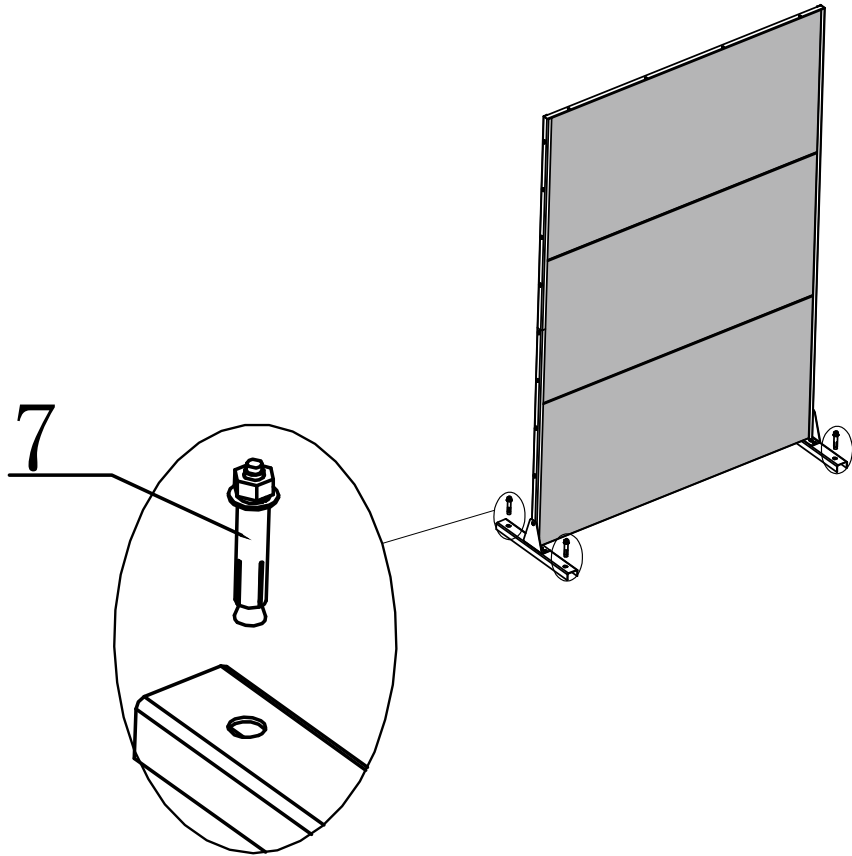


Single Panel Installation

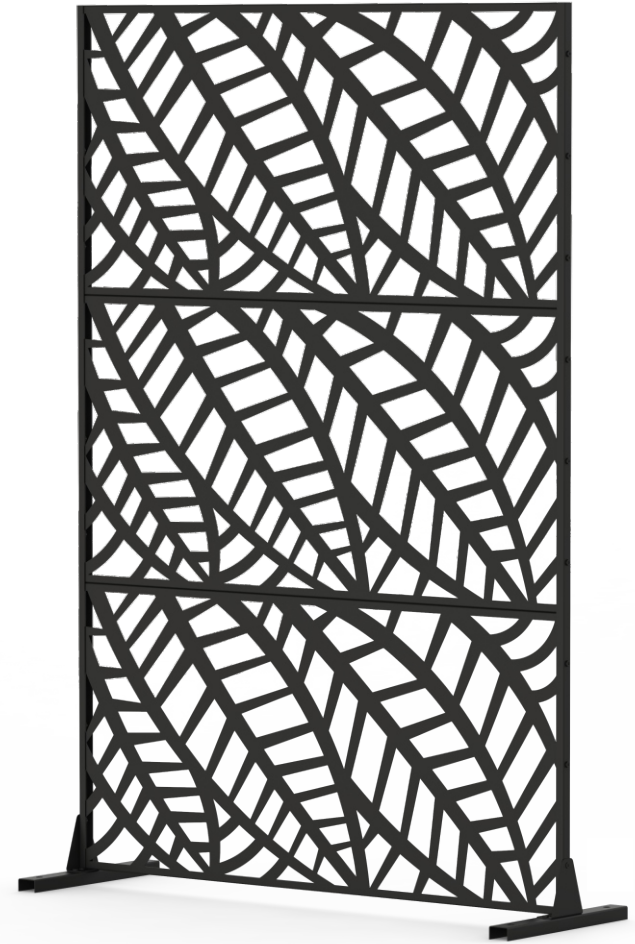
⑦



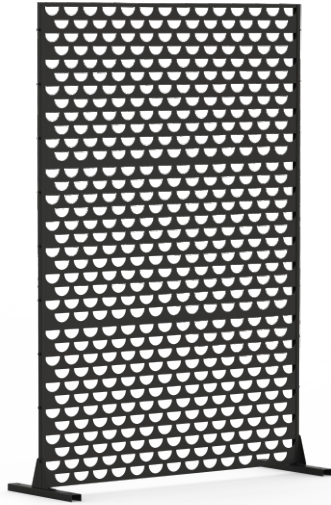
⑦
4X



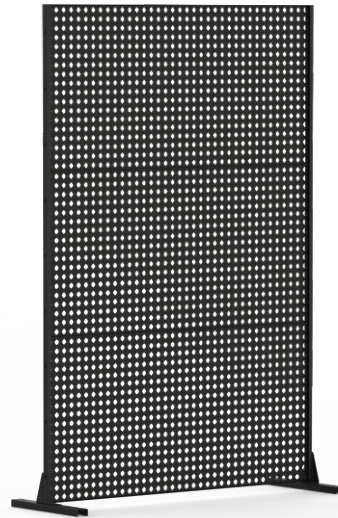
⑧



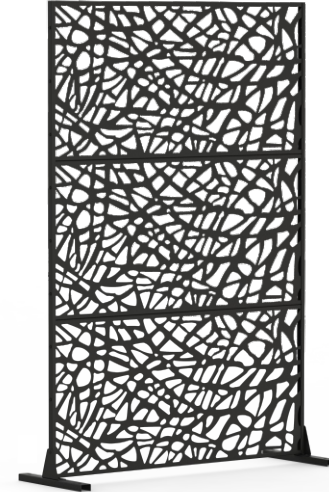
We have various choices of pattern for you:



LNCN0552



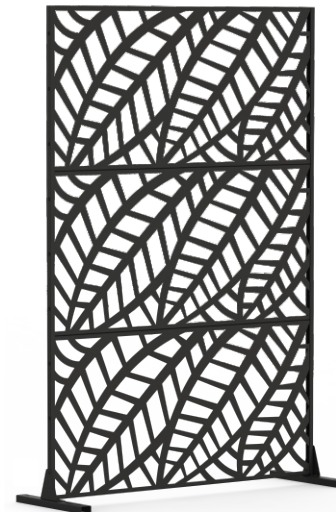
LNCN0557



LNCN0558



LNCN0559



LNCN0560

RESORT COMFORT IN YONR OWN BACKYARD

Support:  

After-sales contact email:
service@domioutdoorliving.com

Please tell us your order ID when contact.

Attach photos of damaged part for instant reply.