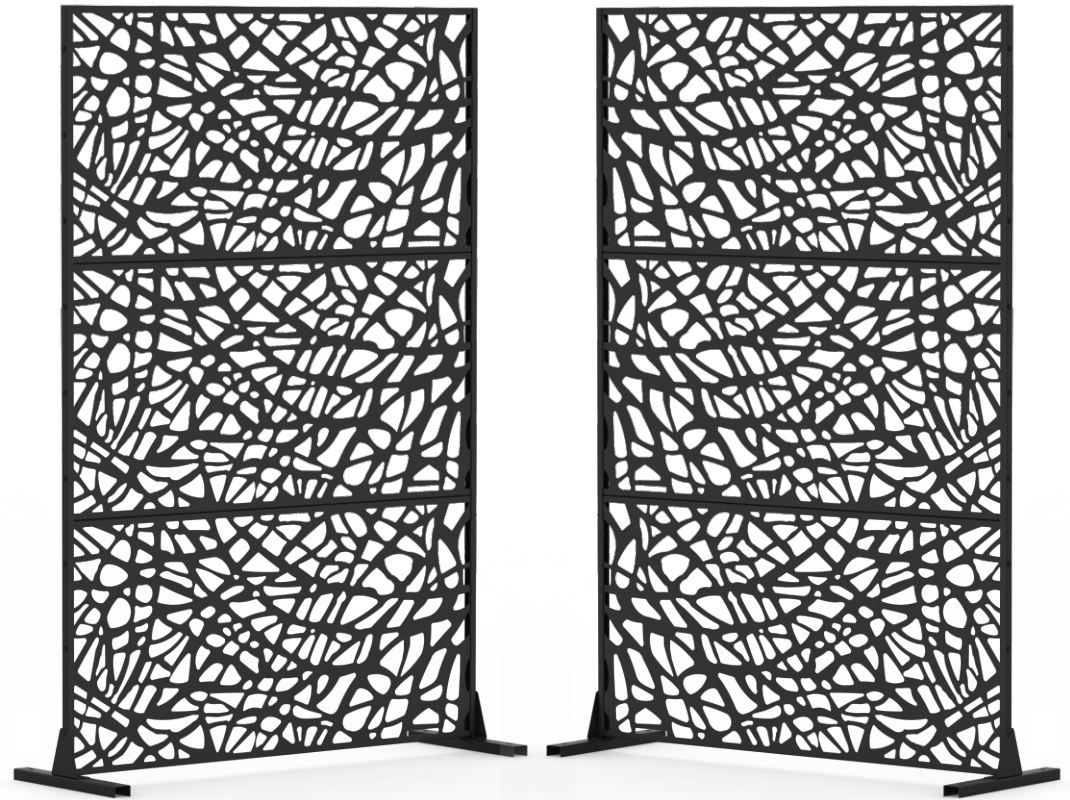


# Outdoor Privacy Screen

## ASSEMBLY MANUAL



Missing part? Damaged? Contact us via email at  
[service@domioutdoorliving.com](mailto:service@domioutdoorliving.com)

[www.domioutdoorliving.com](http://www.domioutdoorliving.com)

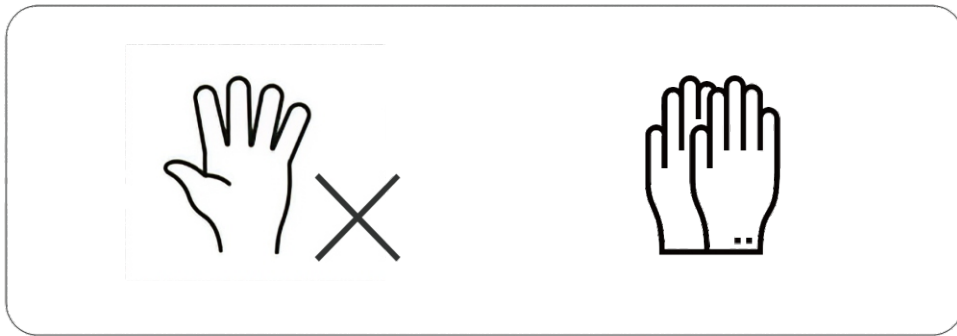
SKU: LNCF0558



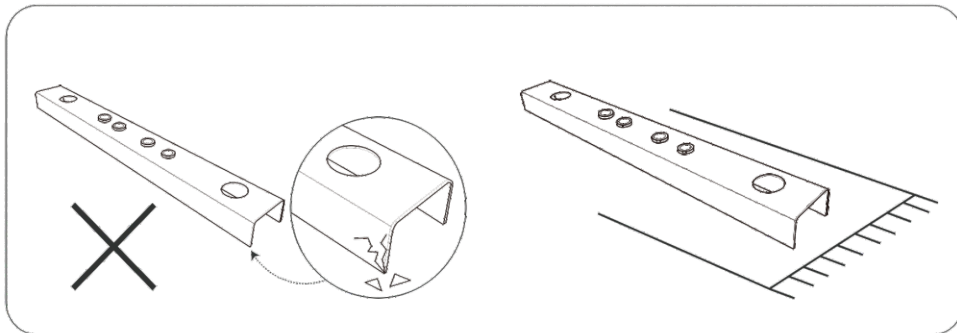
If the privacy screen will be used in a strong wind area, we highly recommend you using four Hex-Head Sleeve Anchors to fix the privacy screen on solid ground.

Before assembling, we recommend:

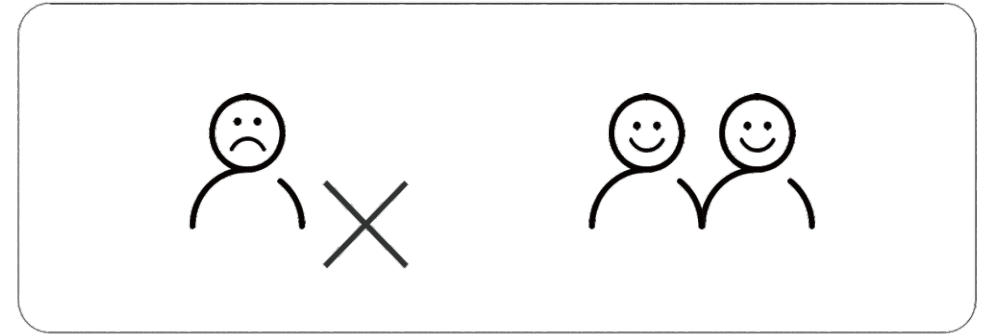
1. Wear Gloves.



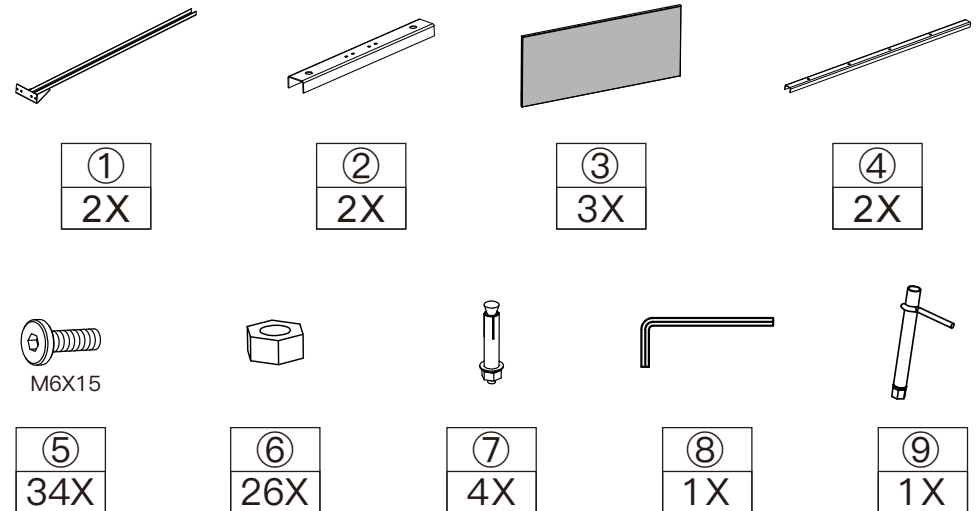
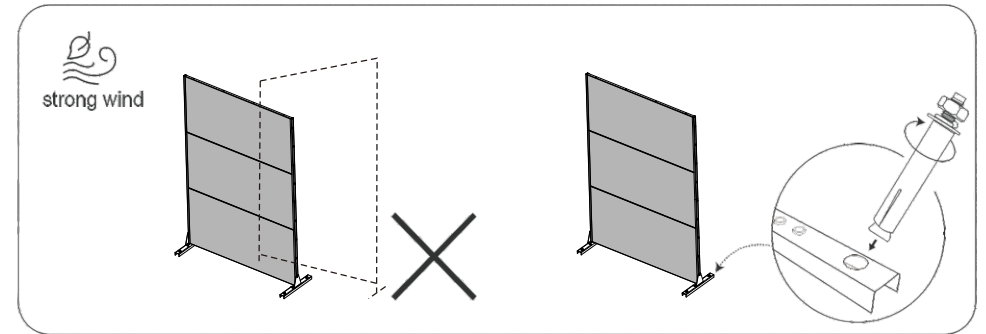
2. Don't assemble the privacy screen on a Hard Surface.



3. Ask for a Helping Hand.



4. Use Hex-Head Sleeve Anchors to fix the privacy screen on solid ground if necessary.

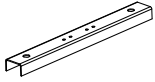


# Vertically Install

①



①  
2X



②  
2X



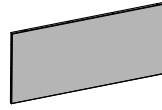
M6X15

⑤  
8X



⑧  
1X

②



③  
1X



M6X15

⑤  
6X



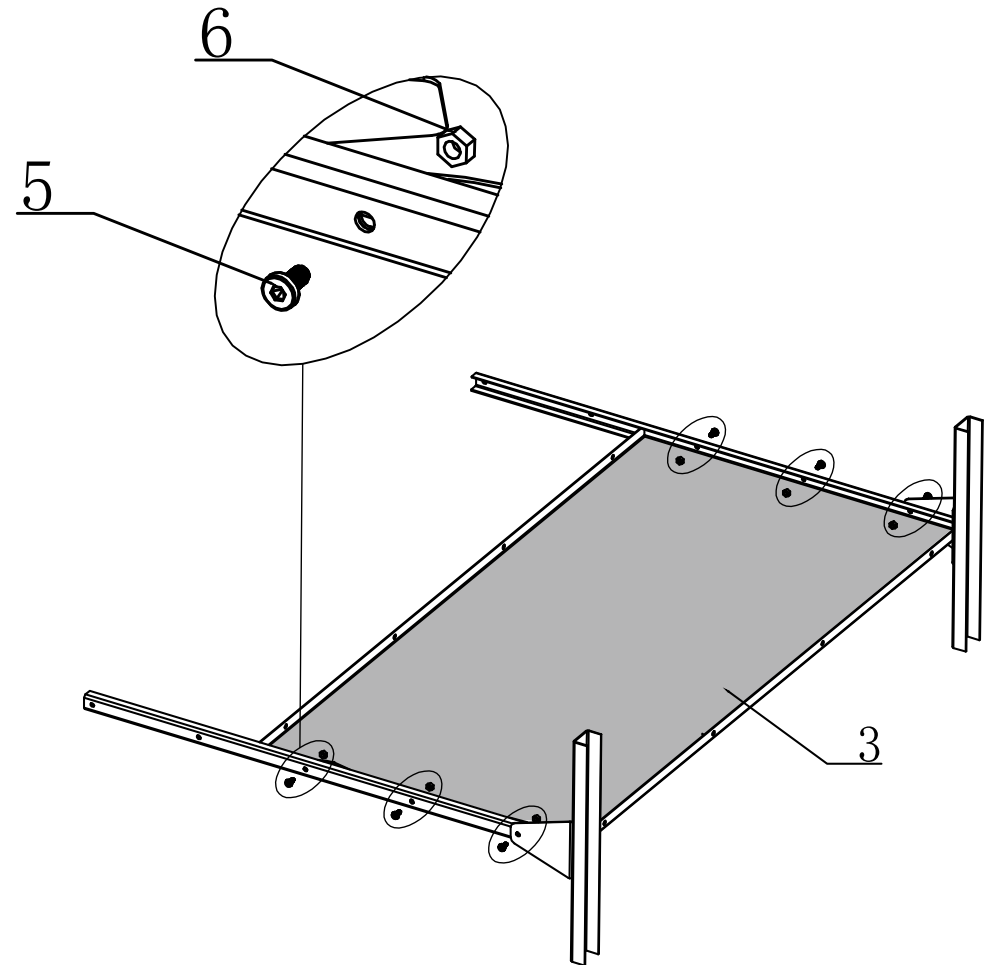
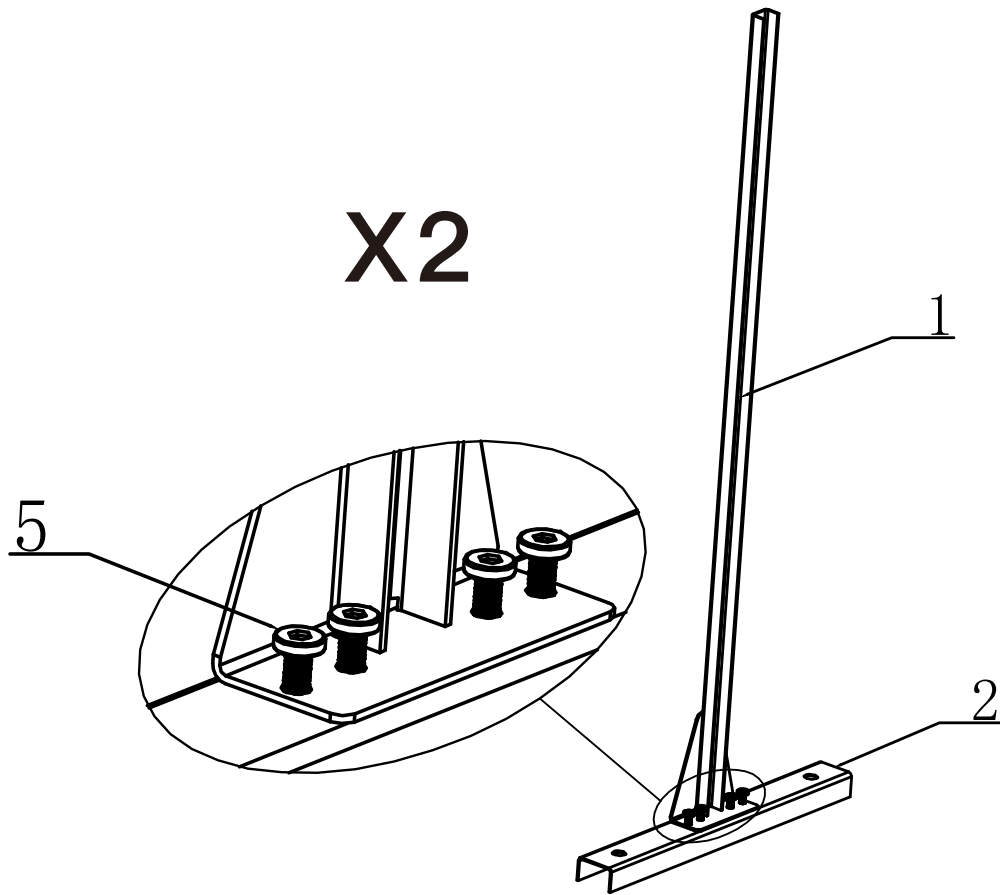
⑥  
6X

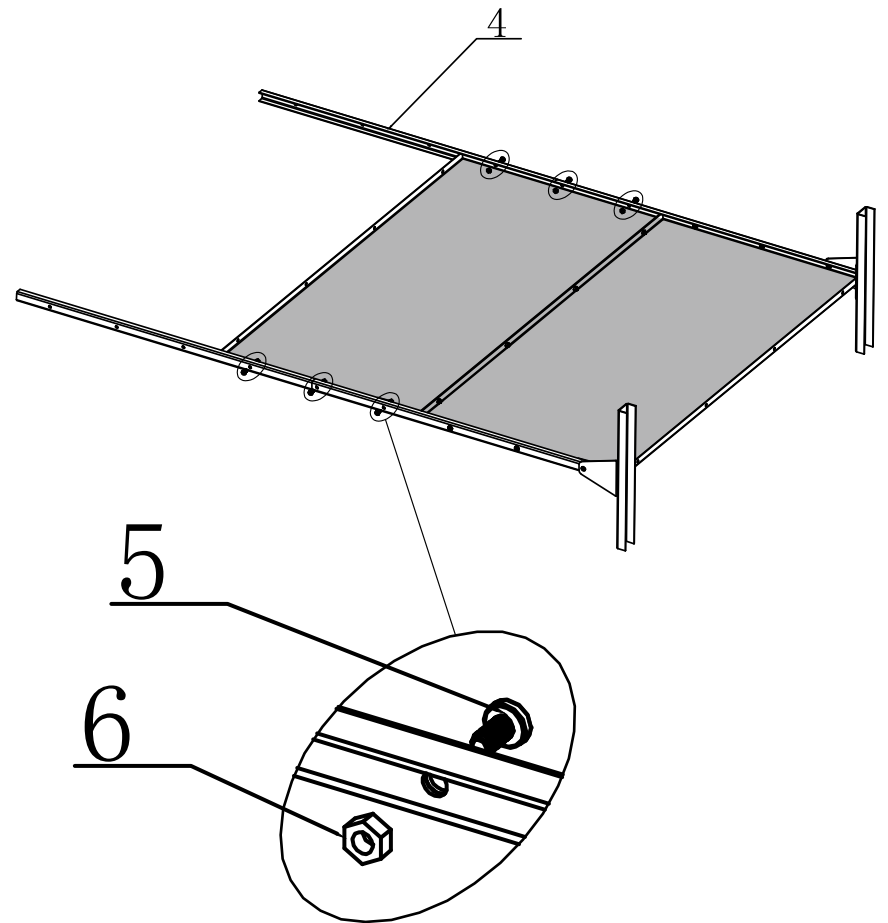
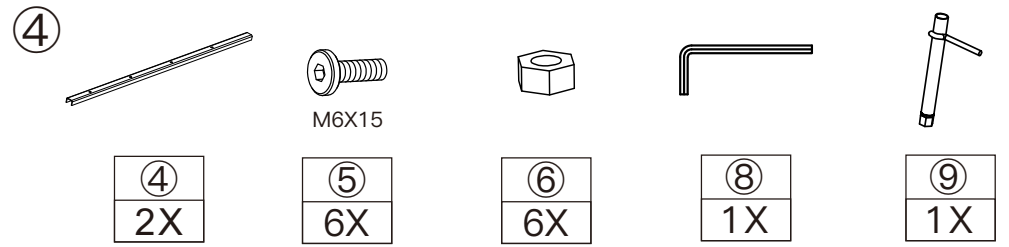
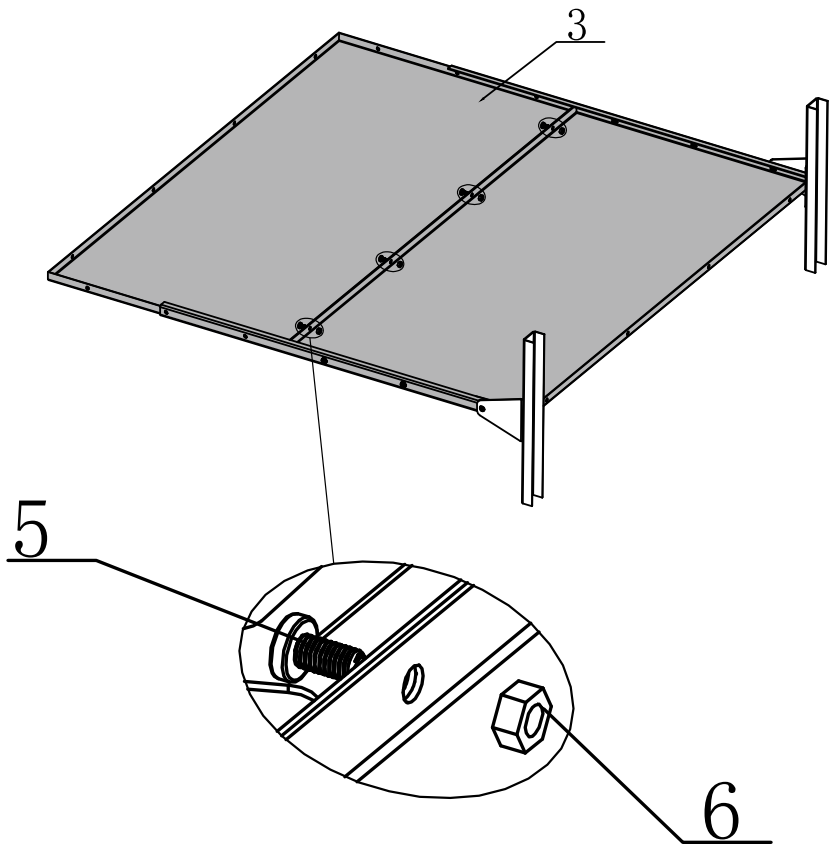
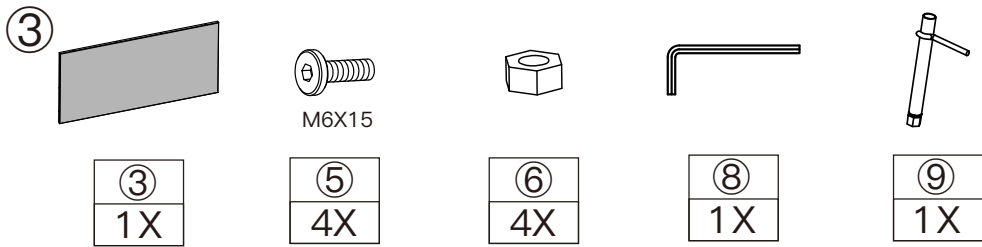


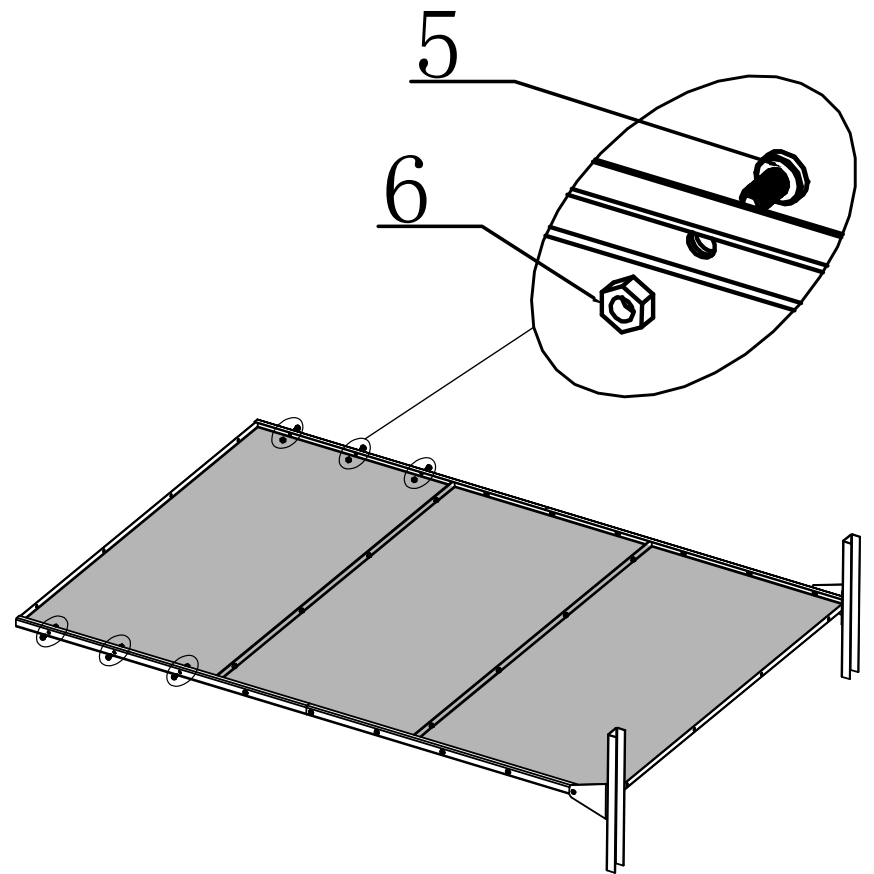
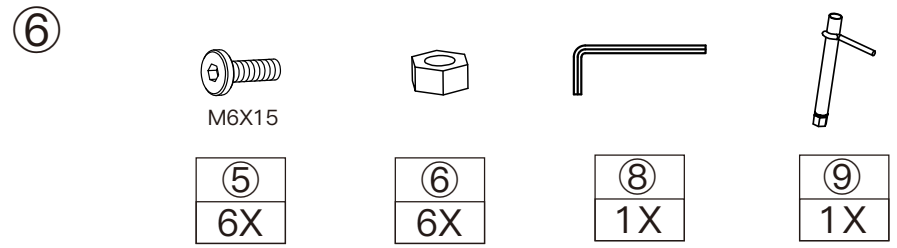
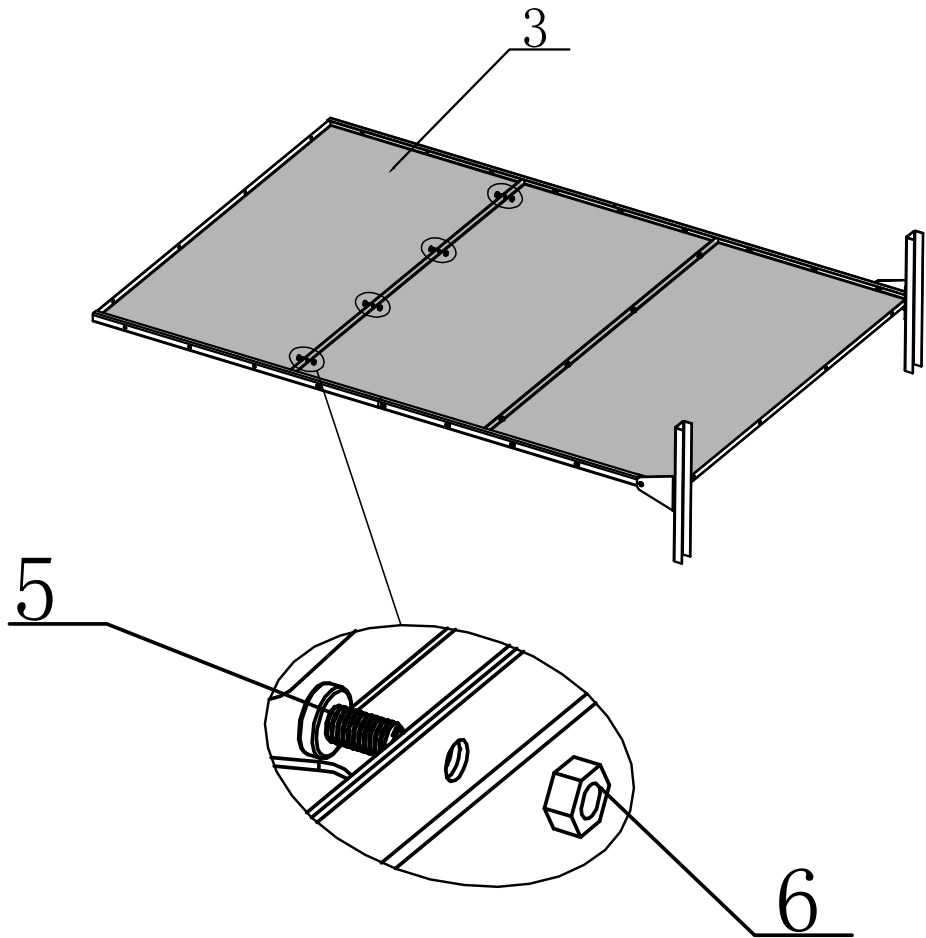
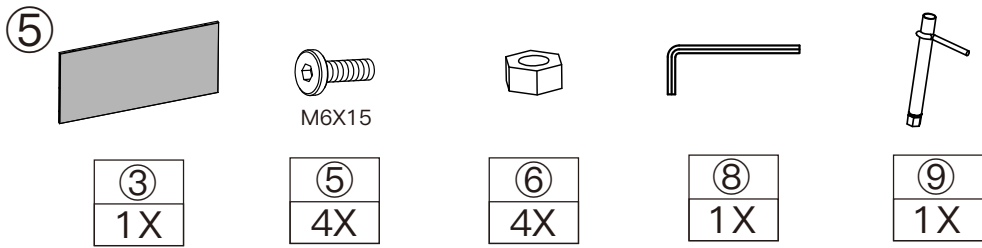
⑧  
1X



⑨  
1X





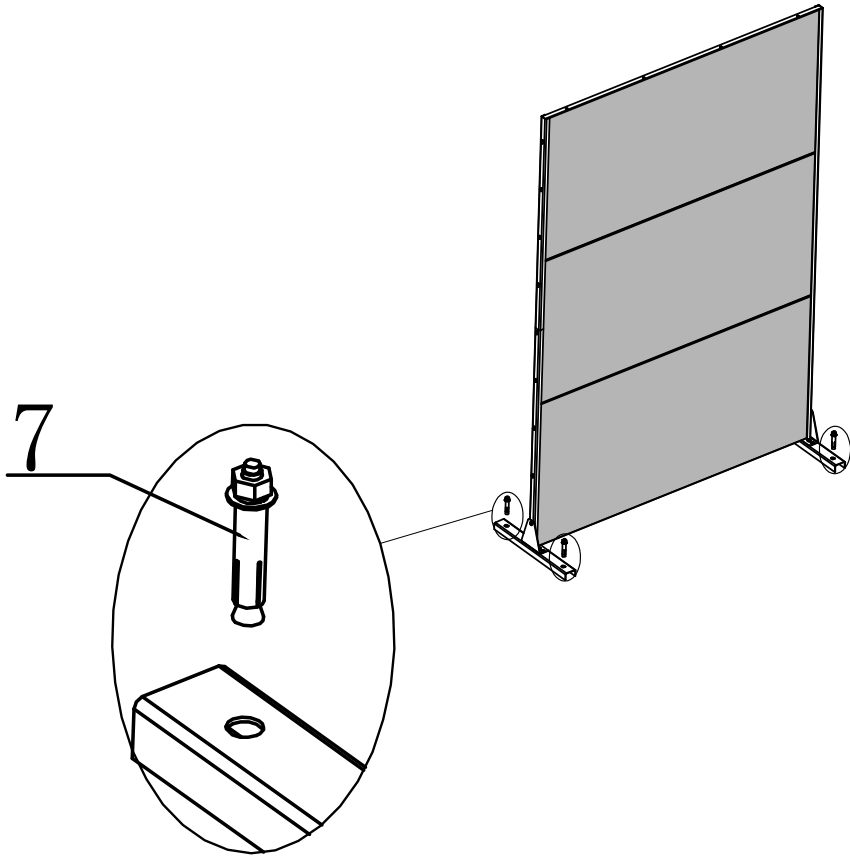


# Single Panel Installation

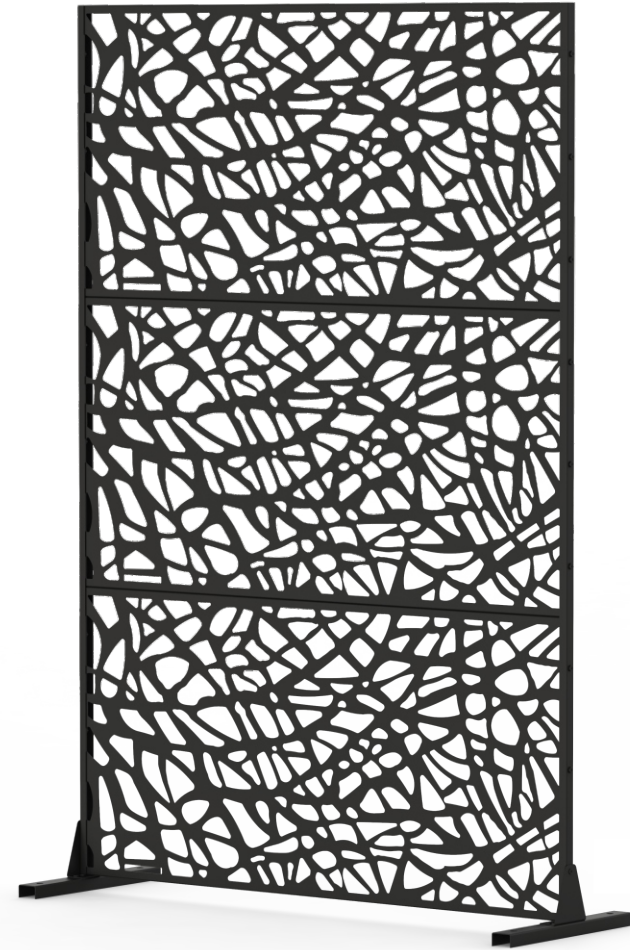
⑦



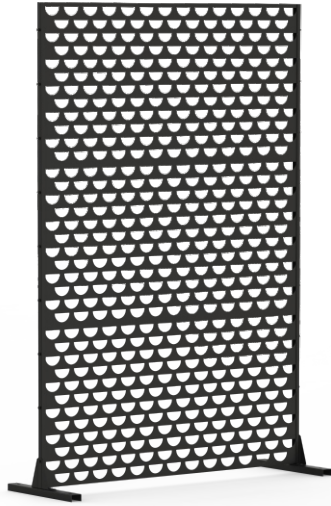
⑦  
4X



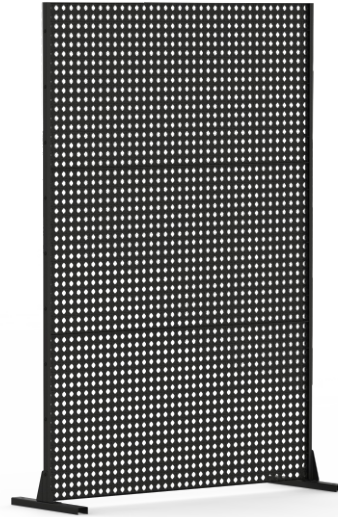
⑧



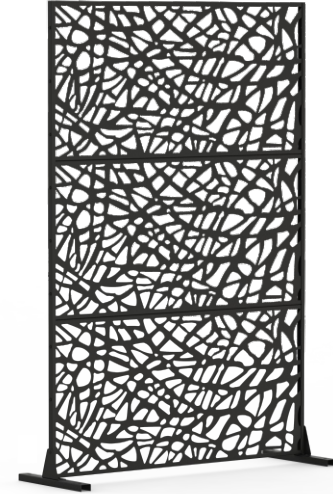
We have various choices of pattern for you:



LNCN0552



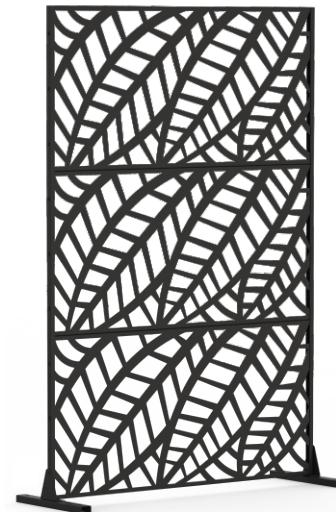
LNCN0557



LNCN0558



LNCN0559



LNCN0560

## RESORT COMFORT IN YONR OWN BACKYARD

**Support:**  

**After-sales contact email:**  
[service@domioutdoorliving.com](mailto:service@domioutdoorliving.com)

Please tell us your order ID when contact.

Attach photos of damaged part for instant reply.