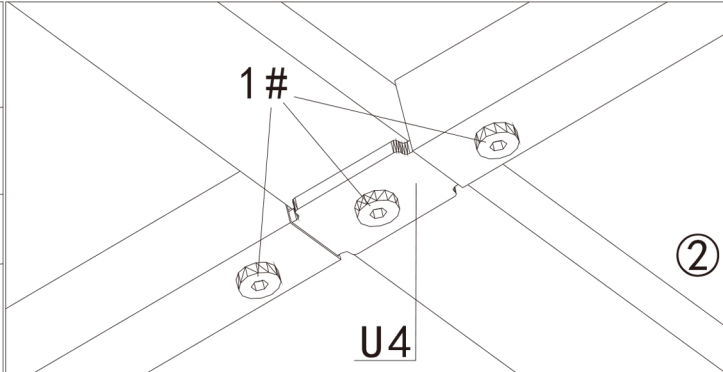
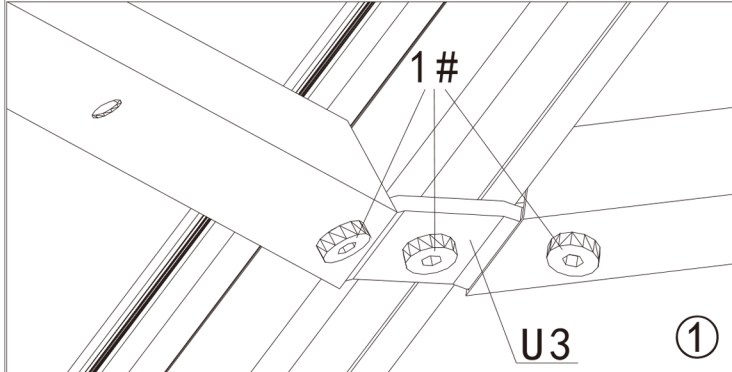
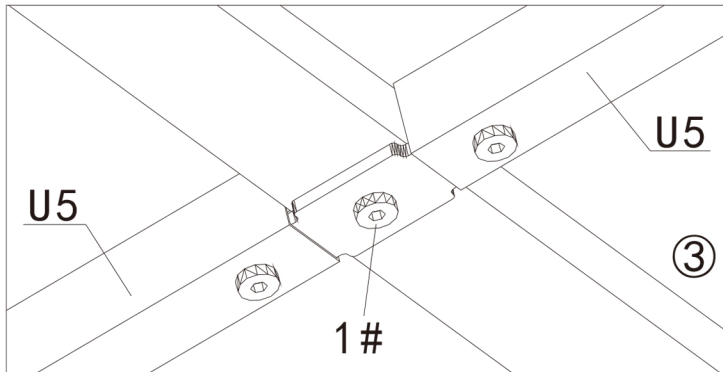


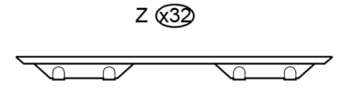
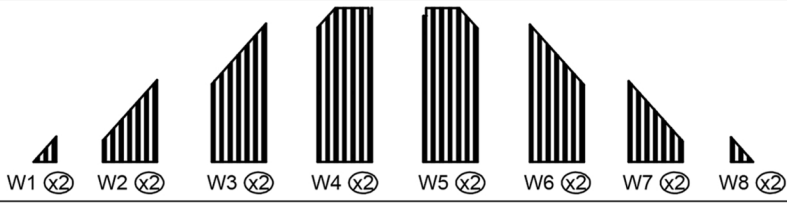
Attach Part U1,U2&U5 to roof bar or corner roof bar using Part U4 and screws 1#.

Notice:  
Please loose two bolts on U5 if it is too tightly to fix to roof bar.

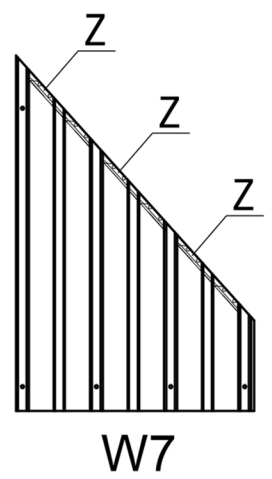
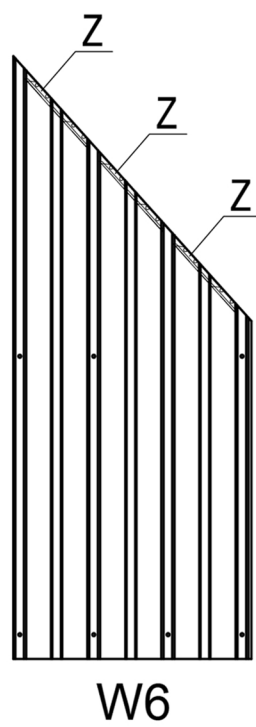
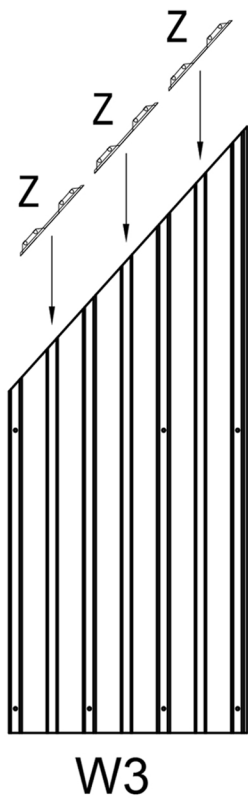
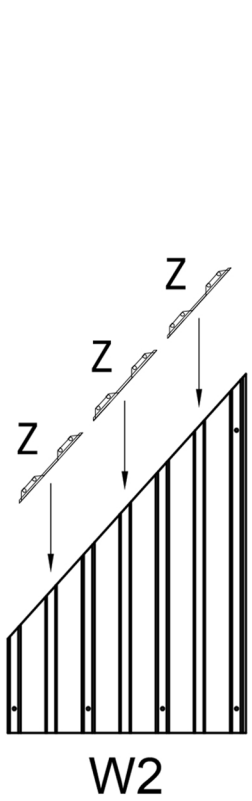
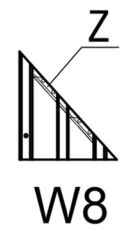
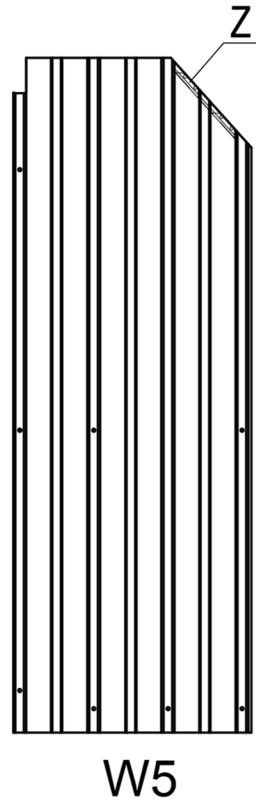
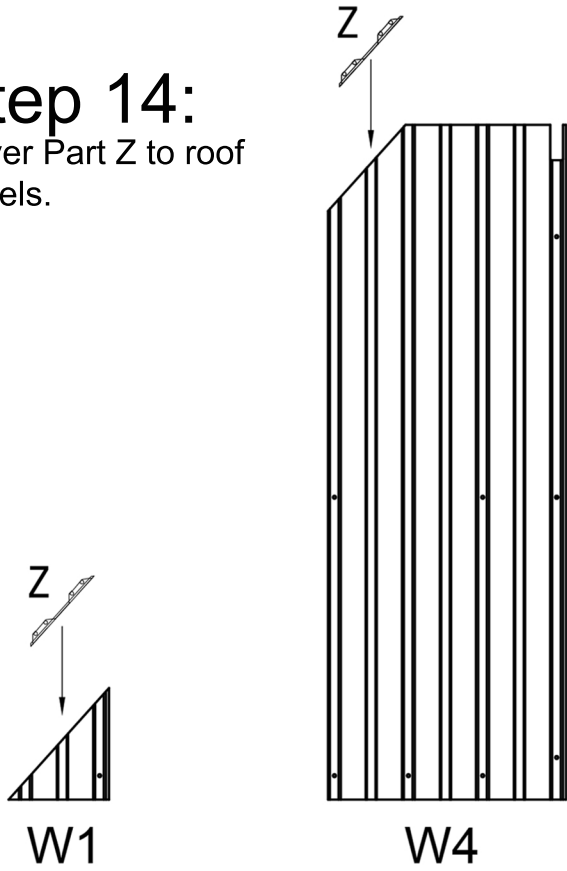
### Step 13:

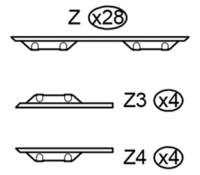
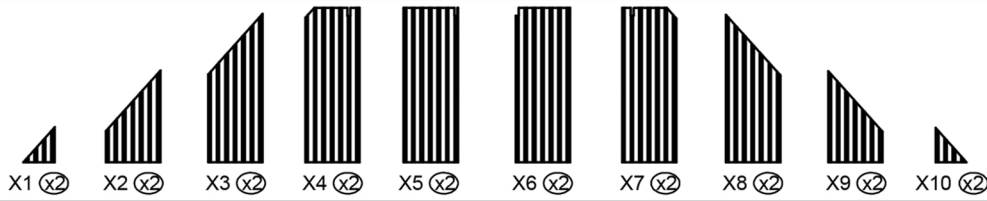
Affix Part U1,U2&U5 to corner bar using Part U3 and screw 1#.



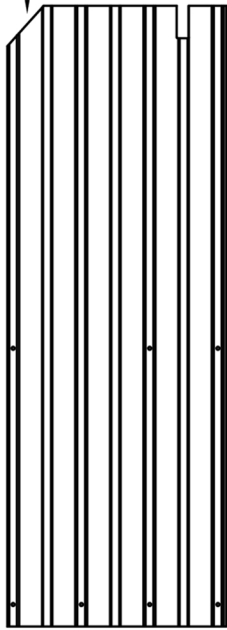


**Step 14:**  
Cover Part Z to roof panels.

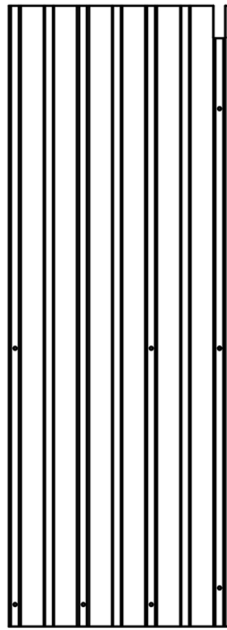




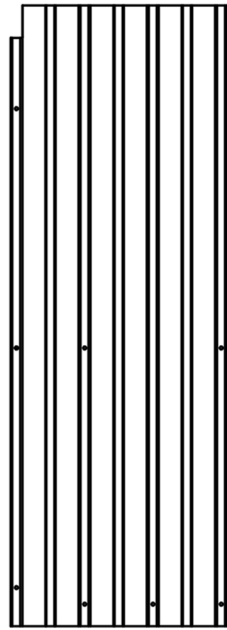
Z3



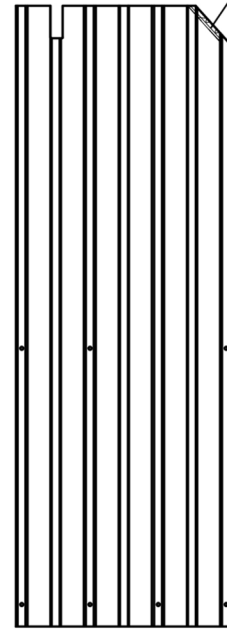
X4



X5



X6

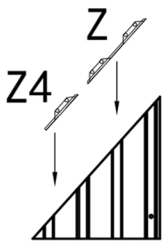


X7

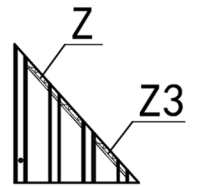
Z4

## Step 15:

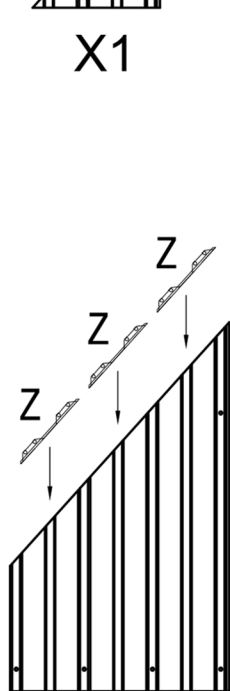
Cover Part Z,Z3,Z4 to roof panel.



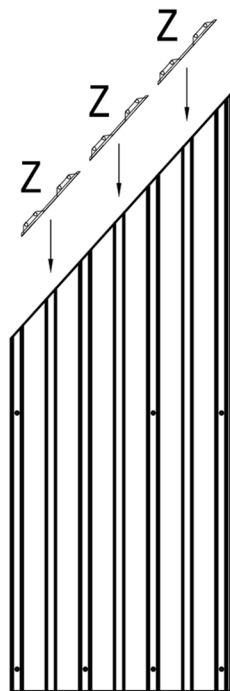
X1



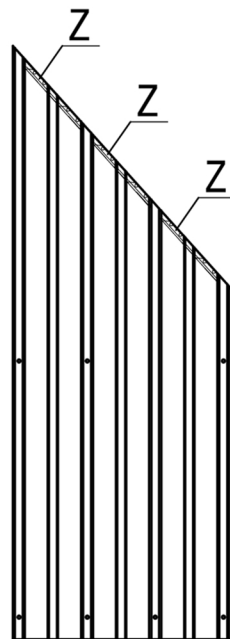
X10



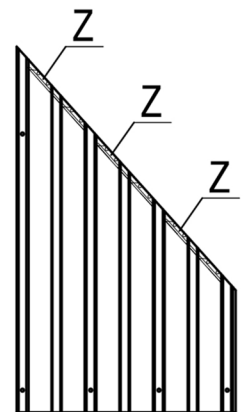
X2



X3



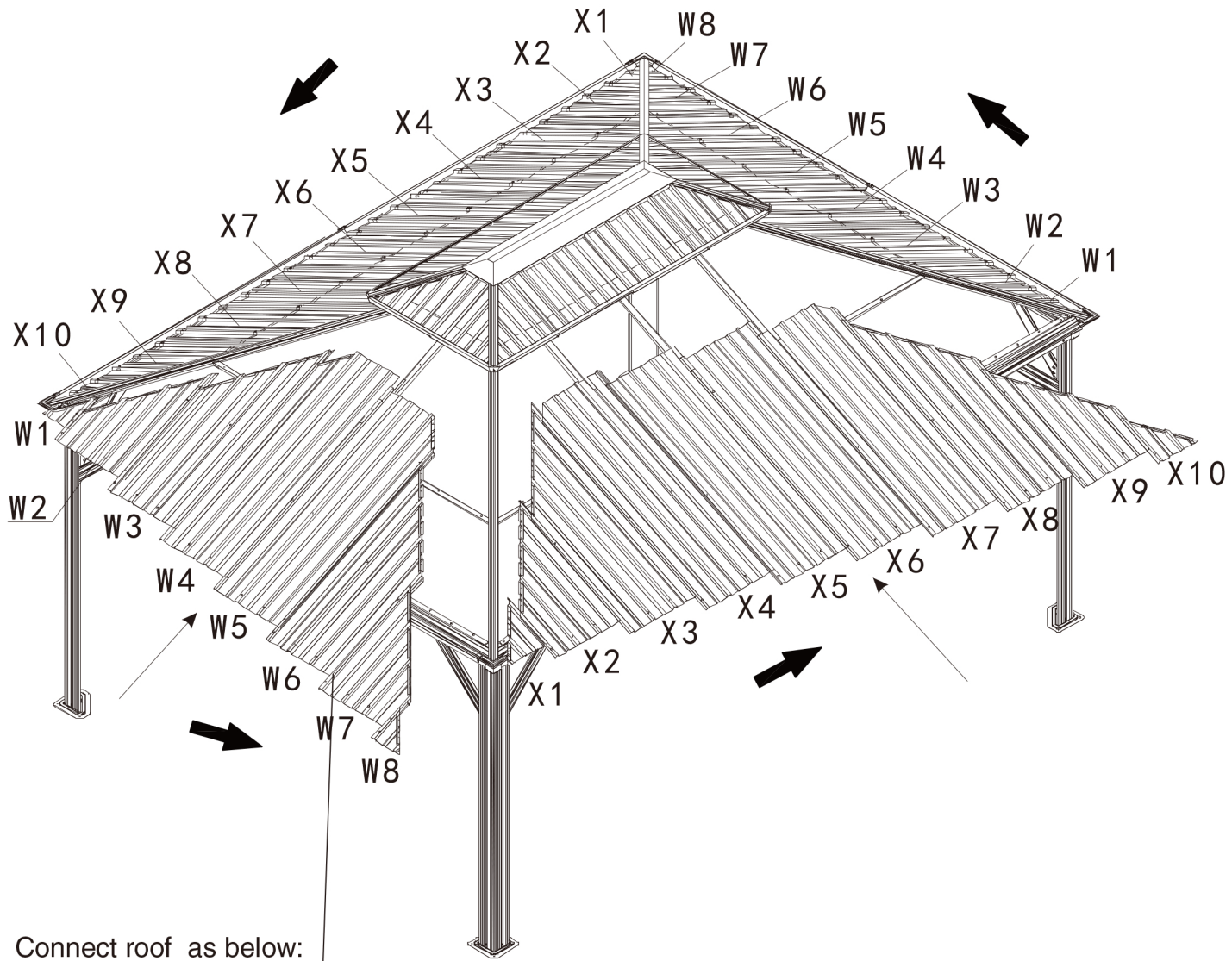
X8



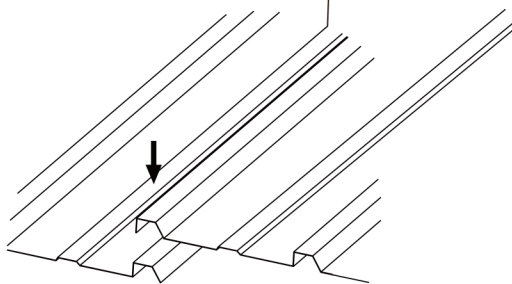
X9

# Overall roof assembly:

Please put the panels on the frame anti-clockwisely



Connect roof as below:



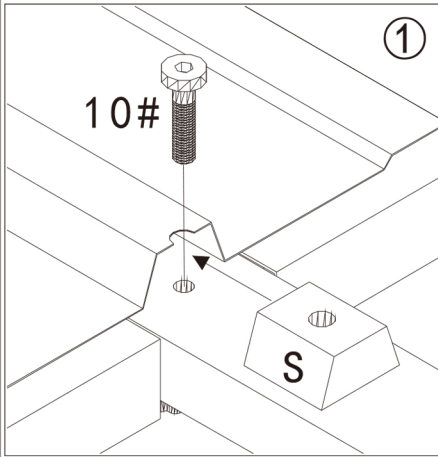
S x136

5# x84

6# x8

7# x40

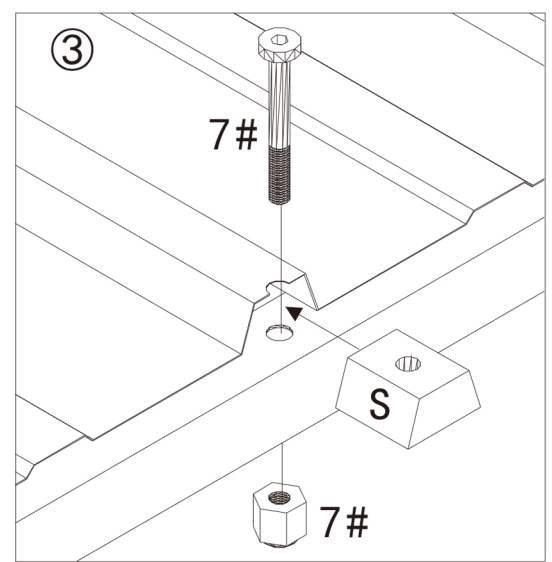
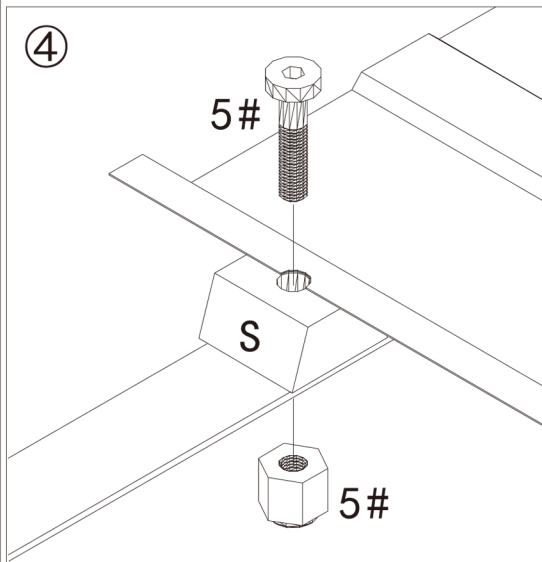
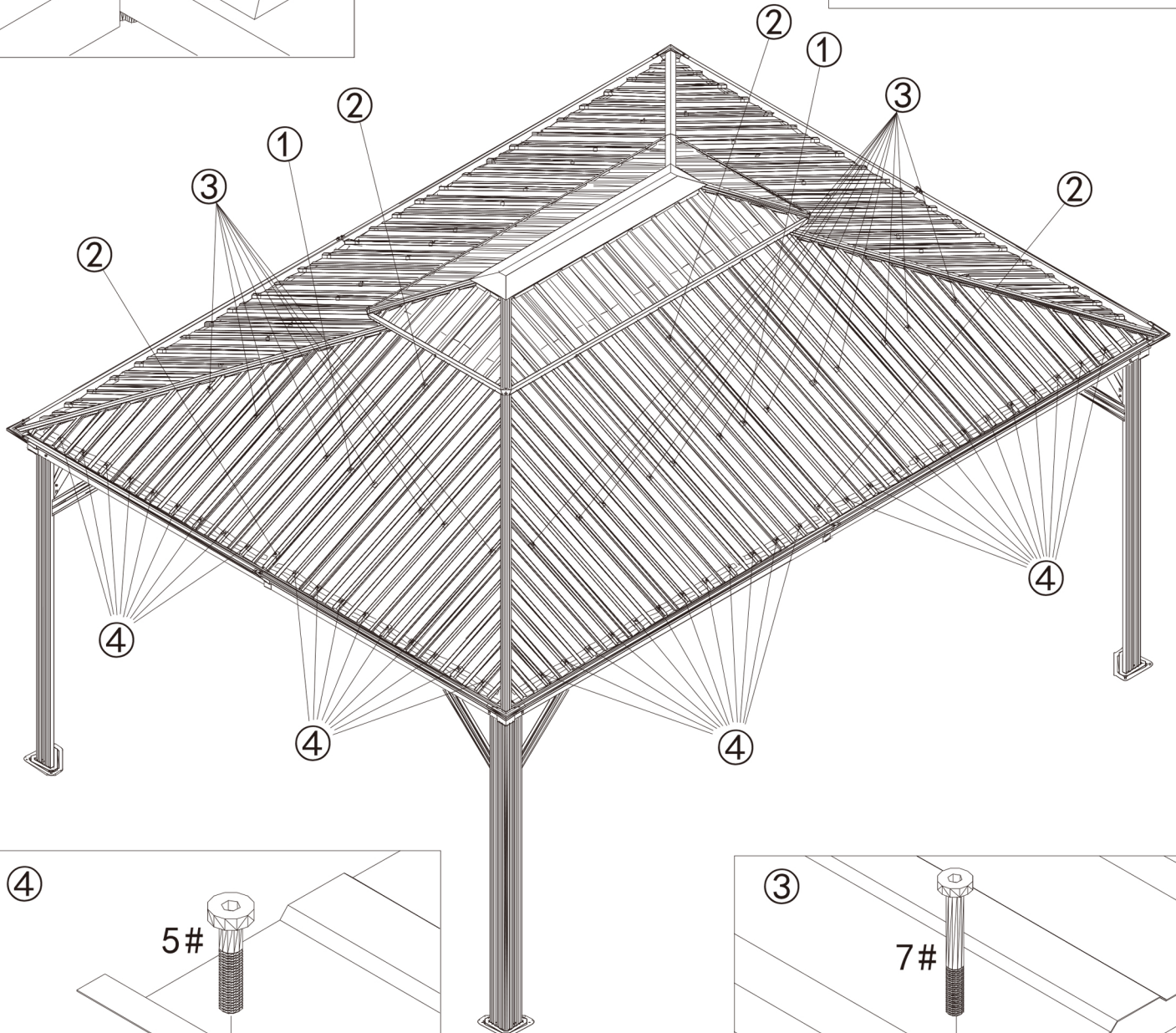
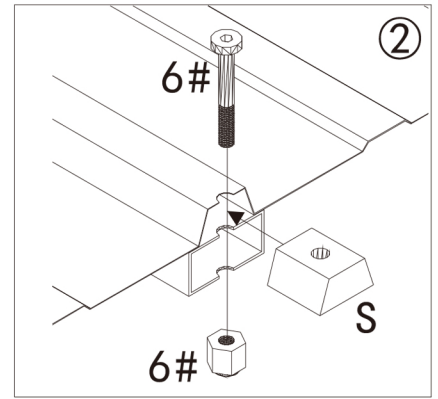
10# x4

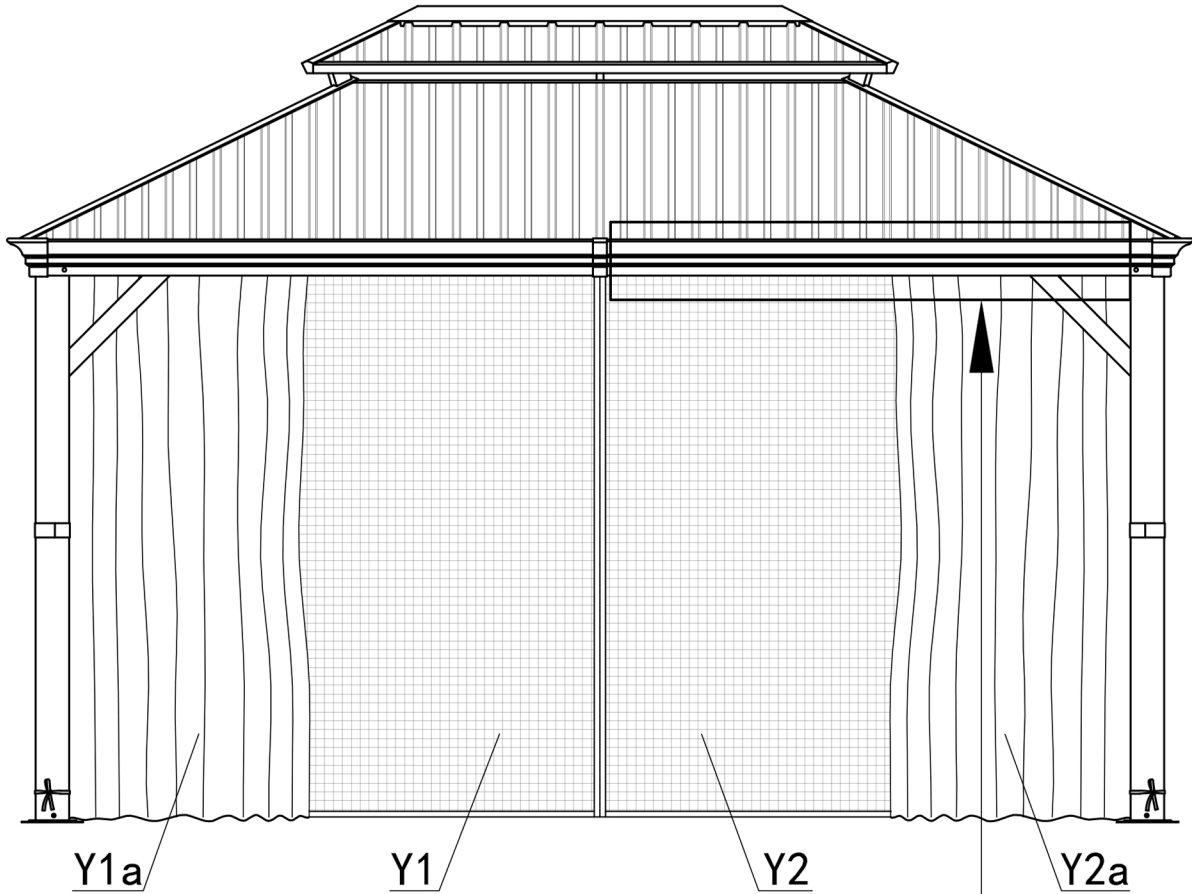
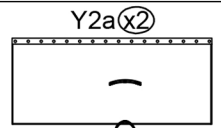
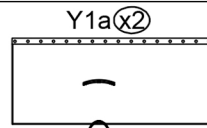
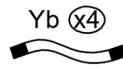
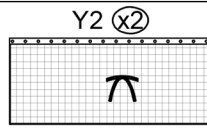
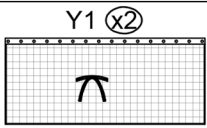


# Step 16:

Affix roof panels using screws and Part S.

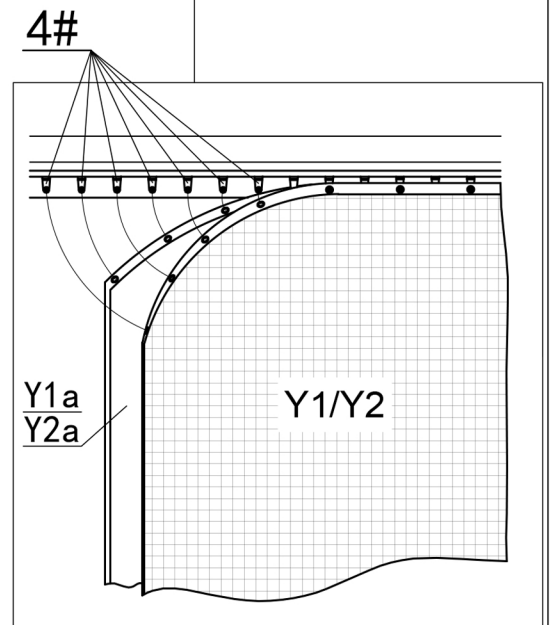
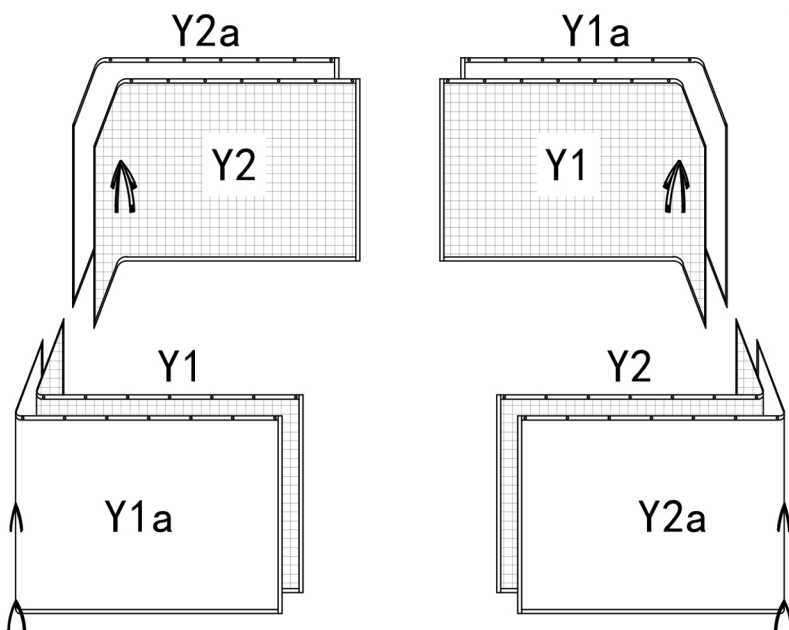
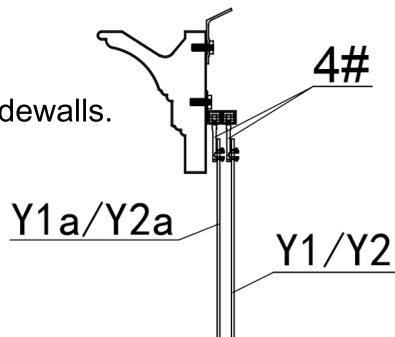
Notice:  
Put on one roof panel and fasten it accordingly before attaching

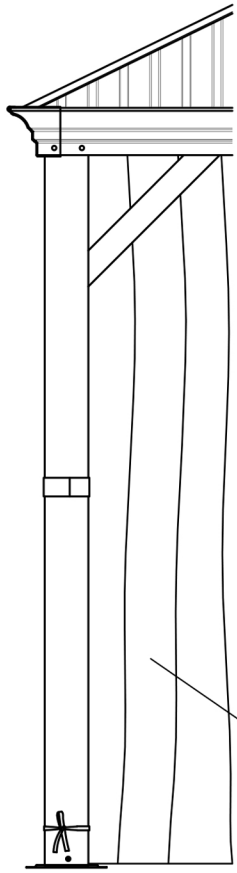




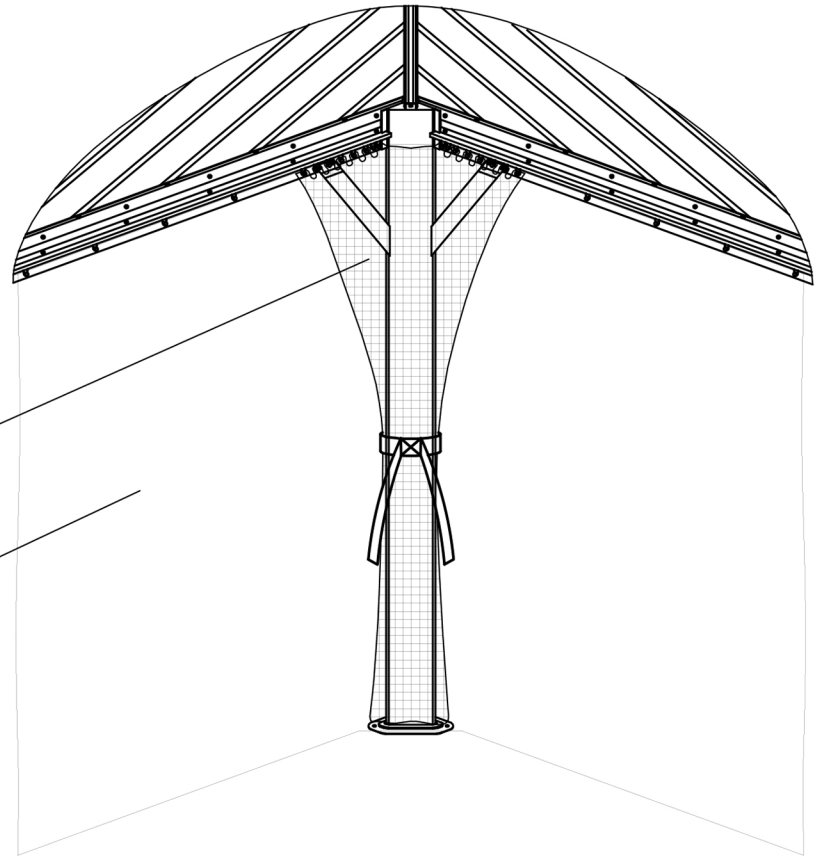
**Step 17:**

Hang up Mosquito Sidewalls and Solid Sidewalls.



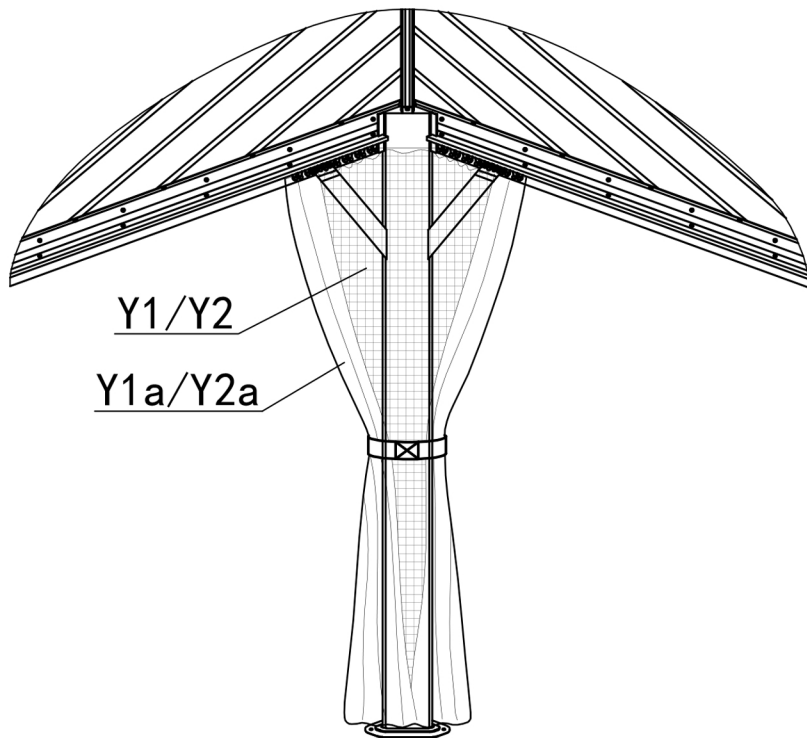


Y1a/Y2a



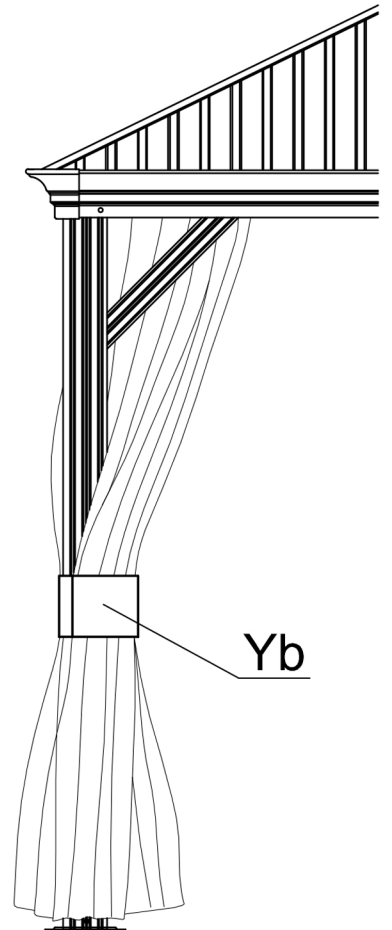
Y1/Y2

Y1a/Y2a



Y1/Y2

Y1a/Y2a



Yb