

K (x1)



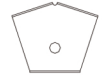
M (x4)



P (x2)



Q (x2)

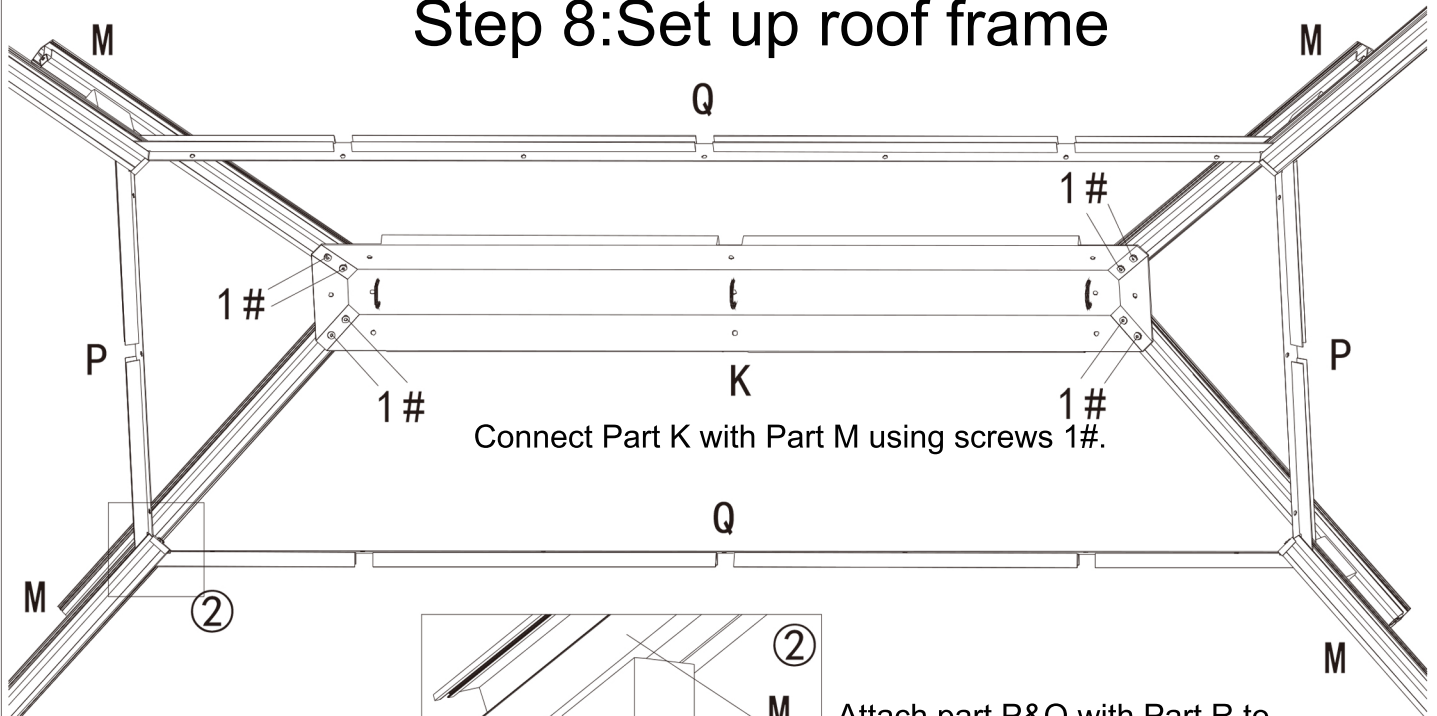


R (x4)

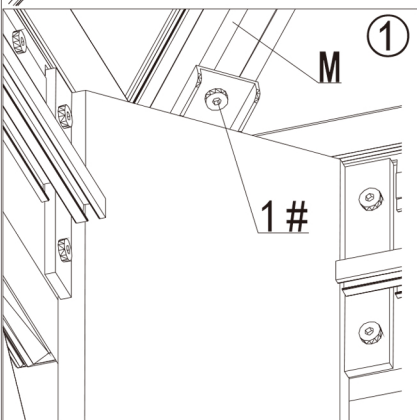


1#  
x16

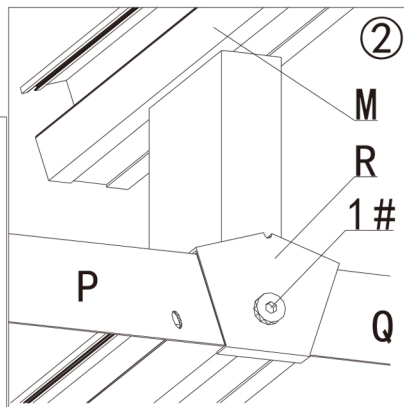
# Step 8: Set up roof frame



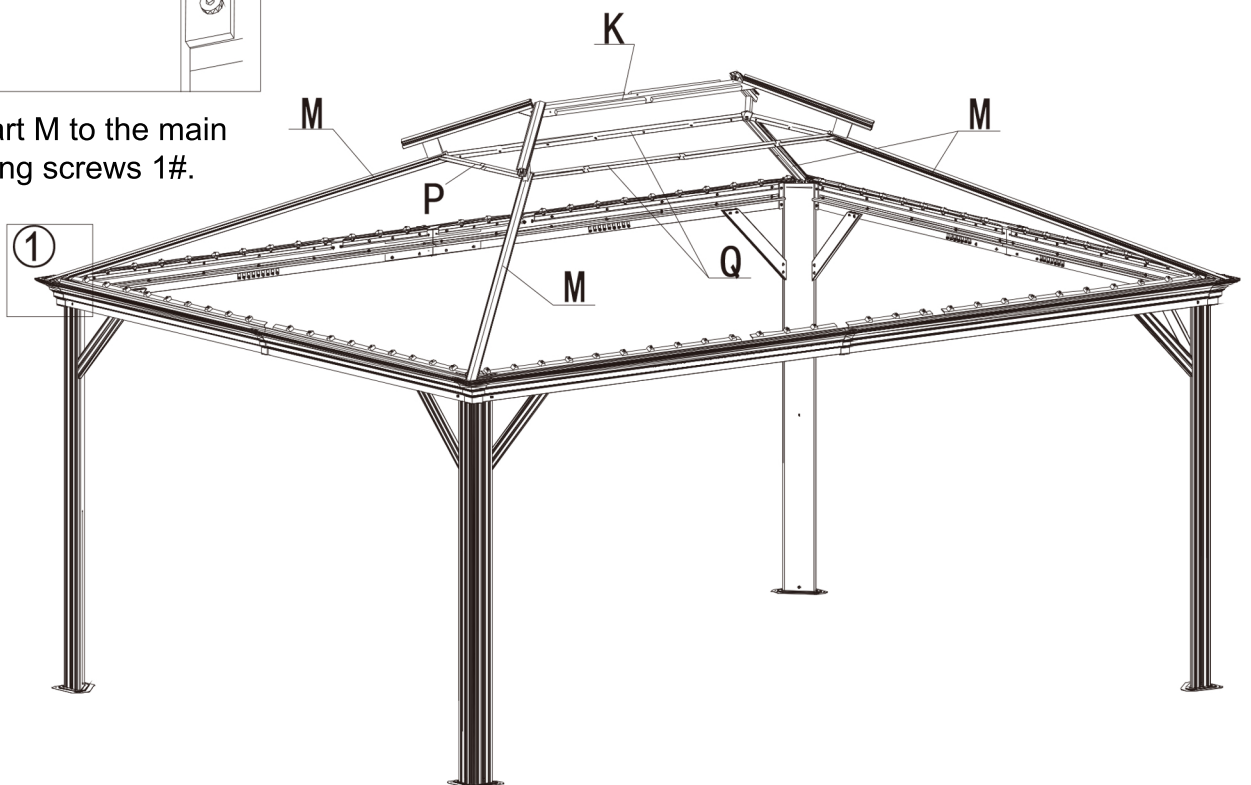
Connect Part K with Part M using screws 1#.



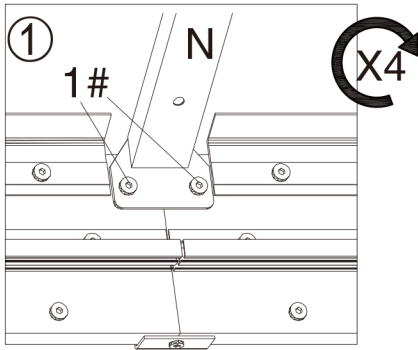
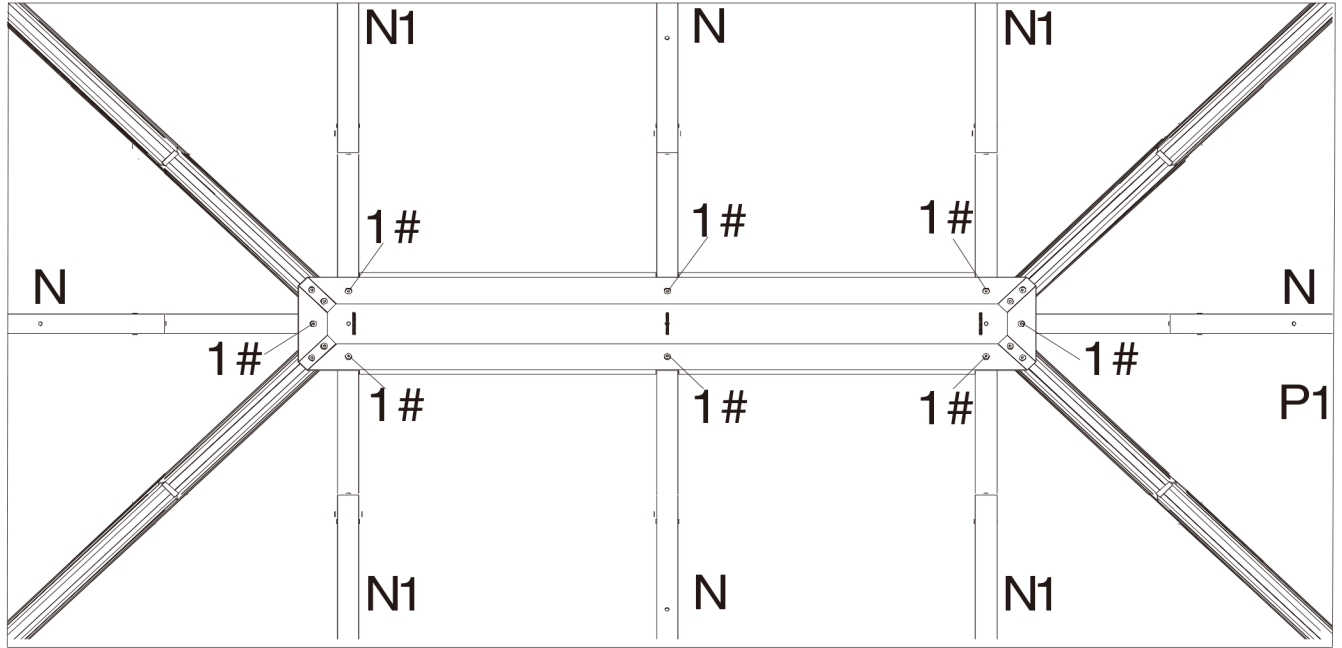
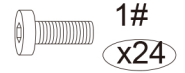
Attach Part M to the main frame using screws 1#.



Attach part P&Q with Part R to part M using screws 1# .

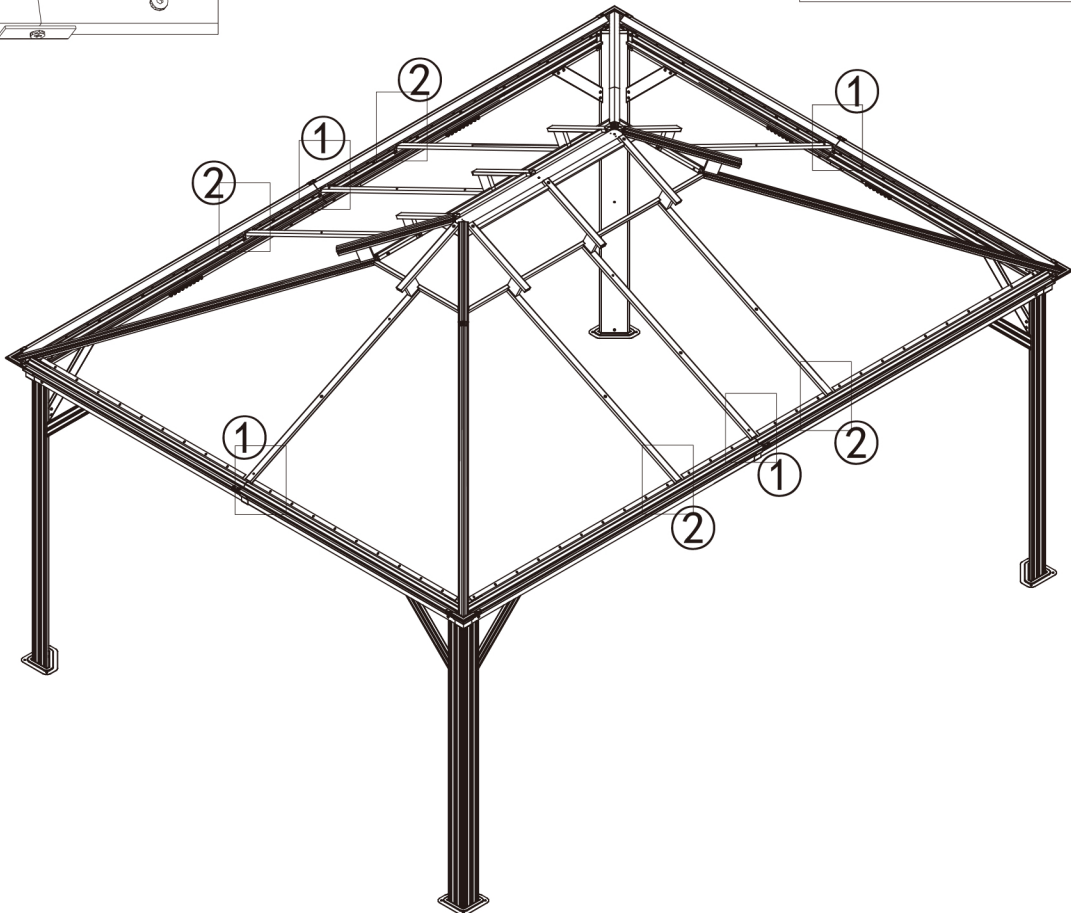
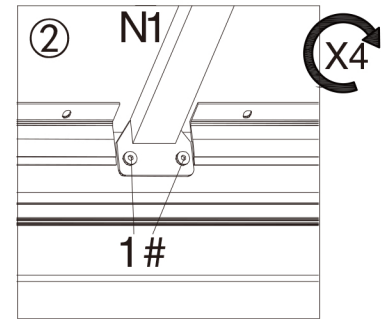


Parts Required:

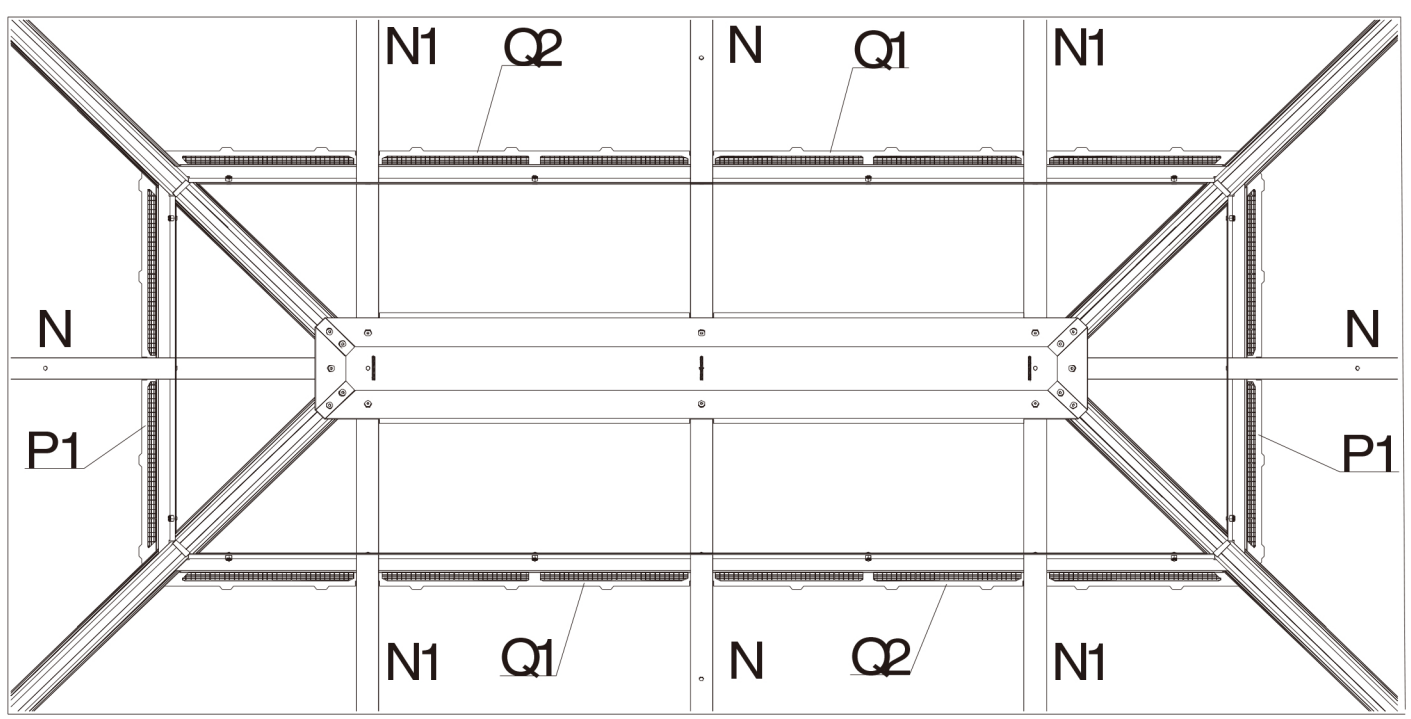
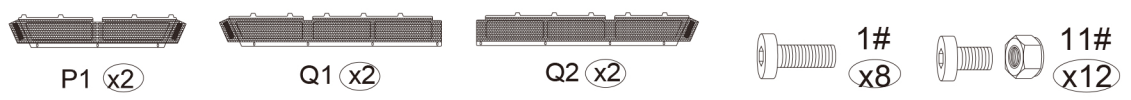


Step 9:

Attach roof bar (Part N&N1) to main frame using screw 1#.

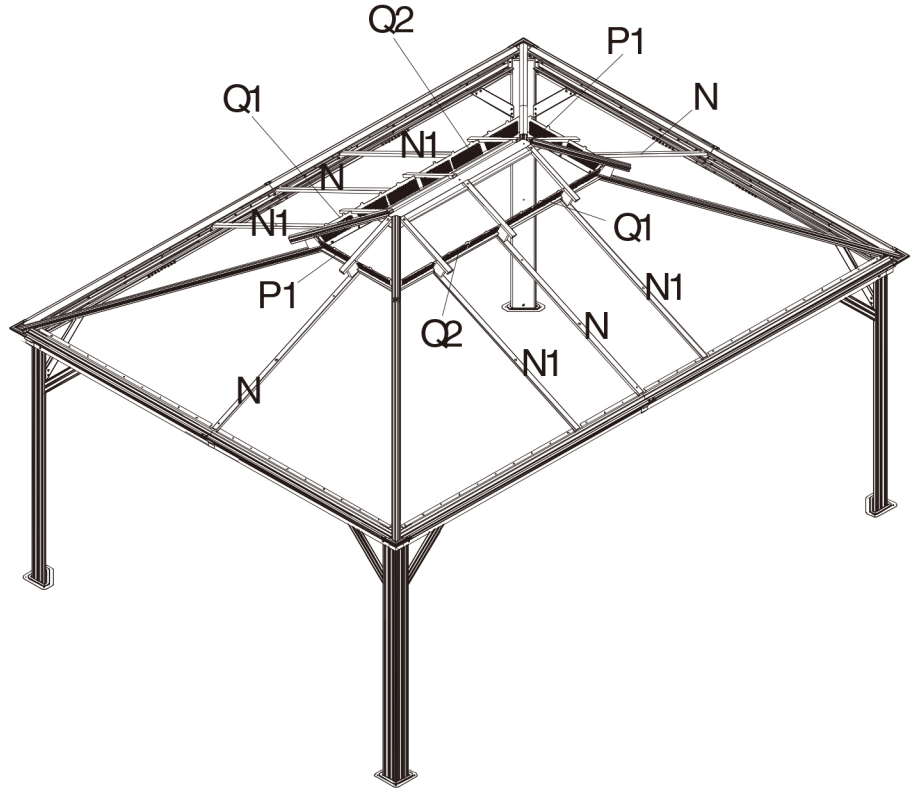
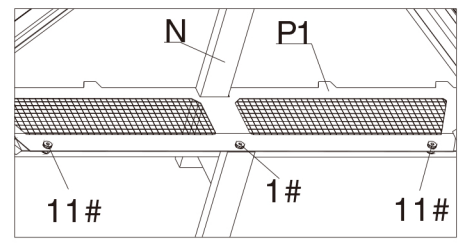
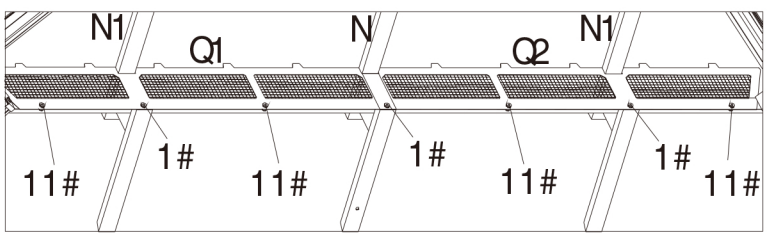


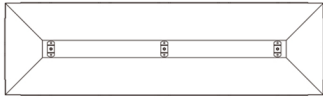
Parts Required:



Step 10:

Attach net frames (Part P1,Q1&Q2) to finishing bars (Part P &Q) using screws 1#&11# as shown in diagram.

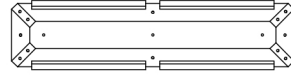




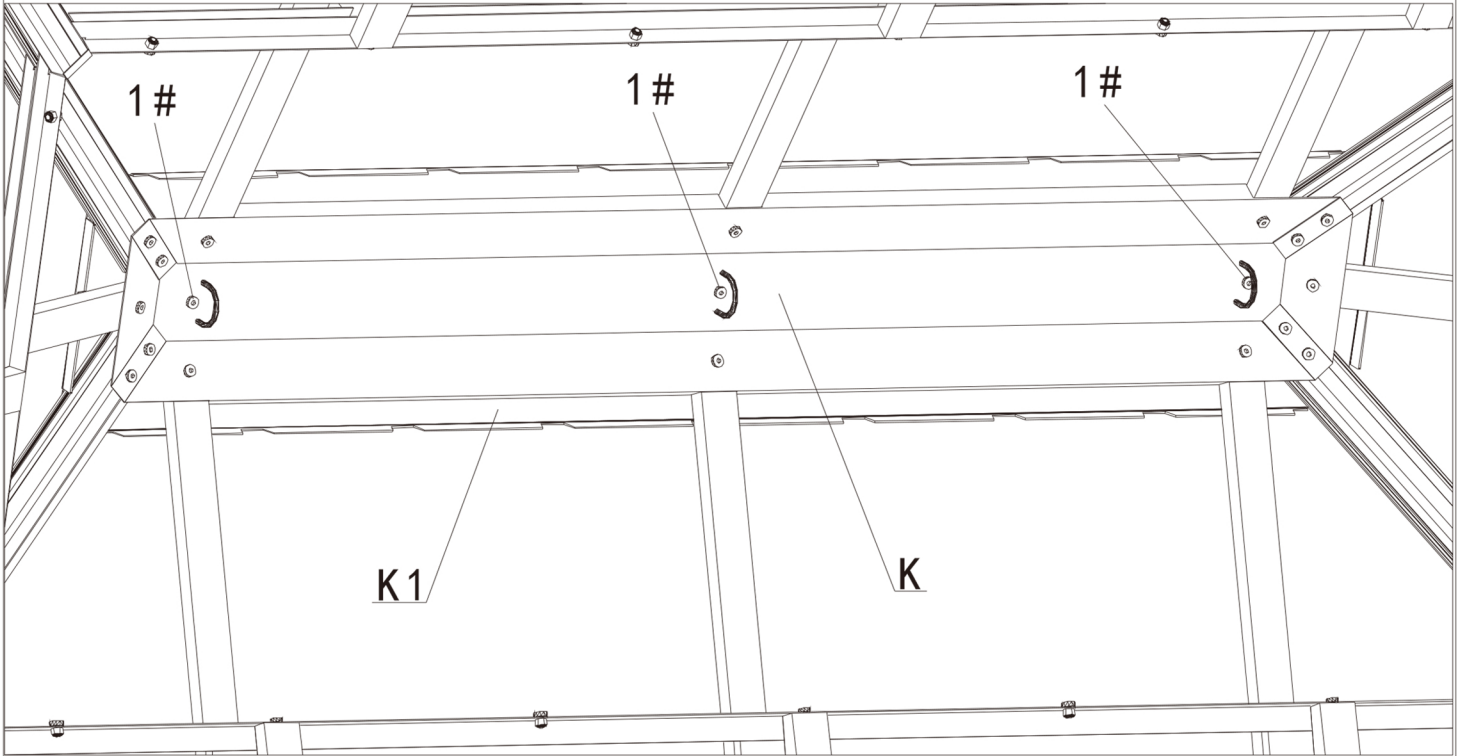
K1 (x1)



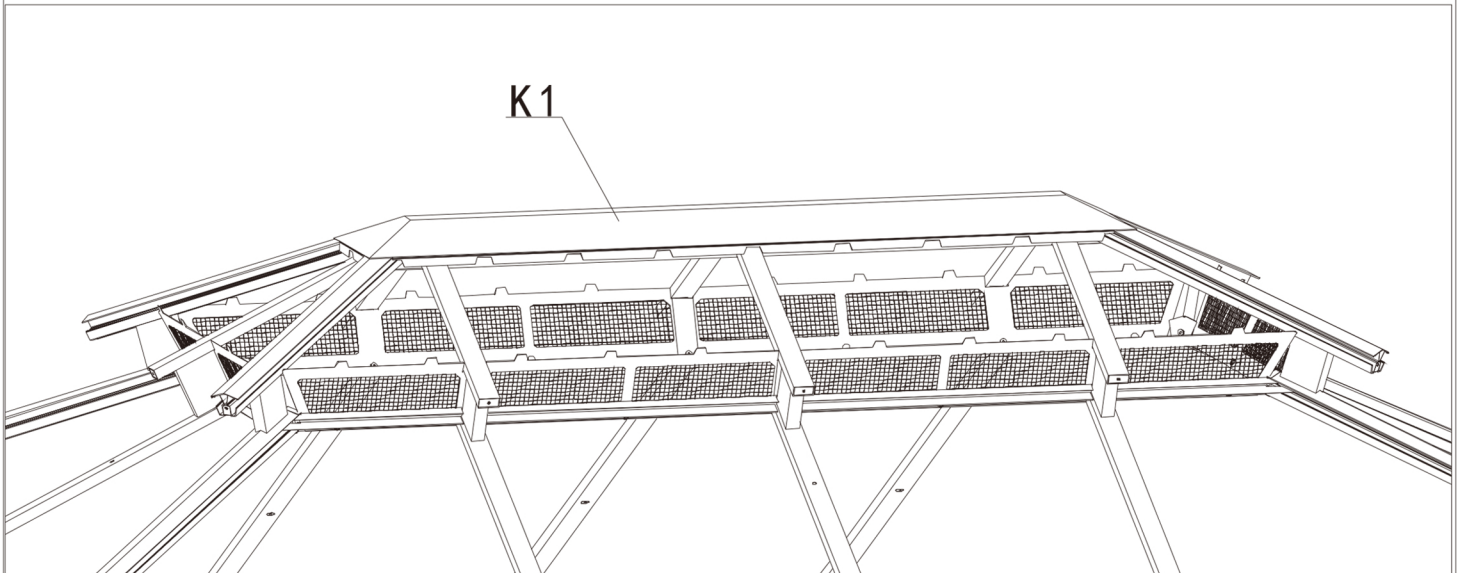
1#  
x3

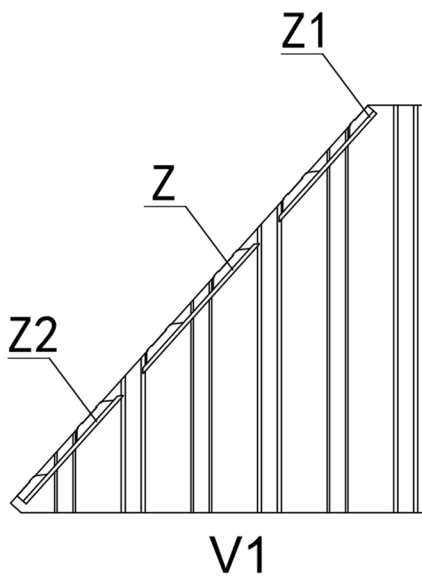
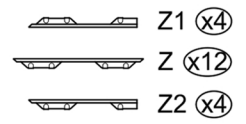
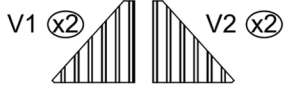


Kx1

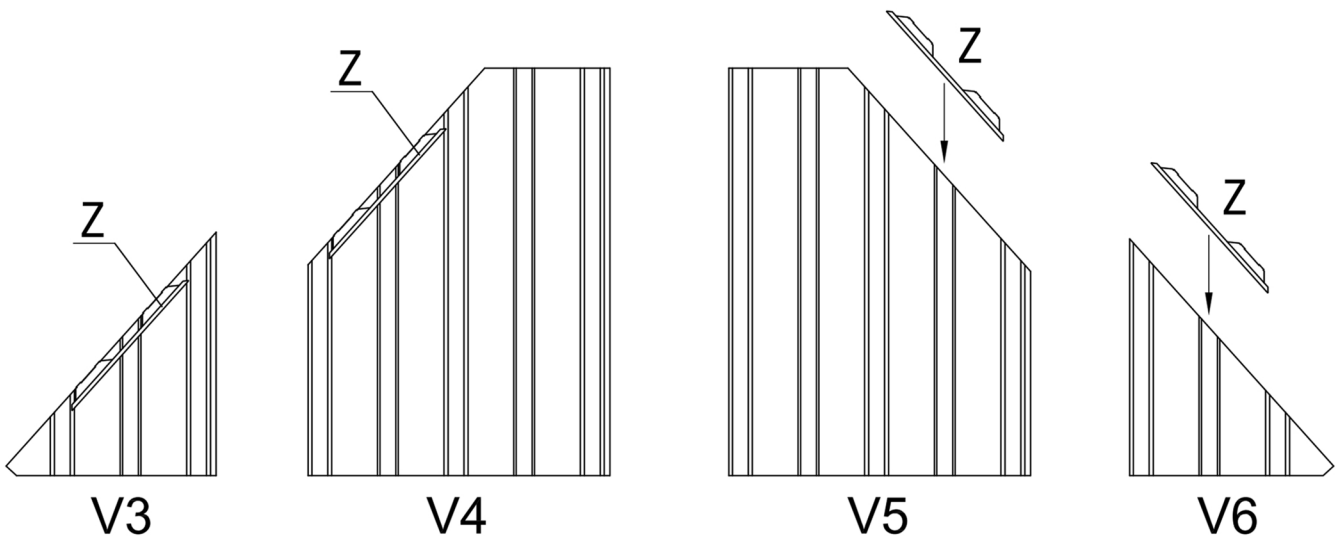
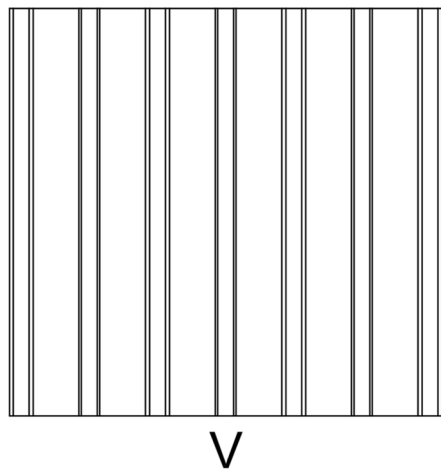
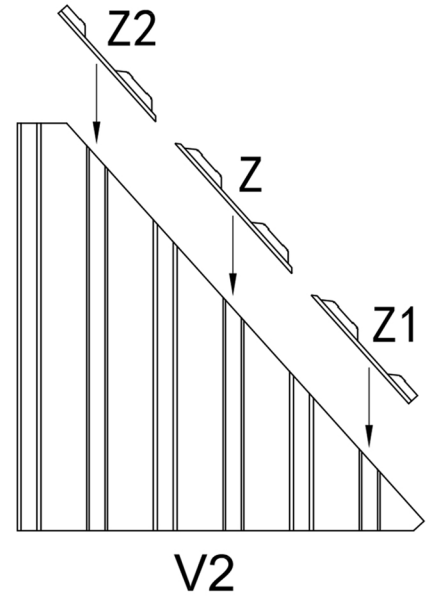


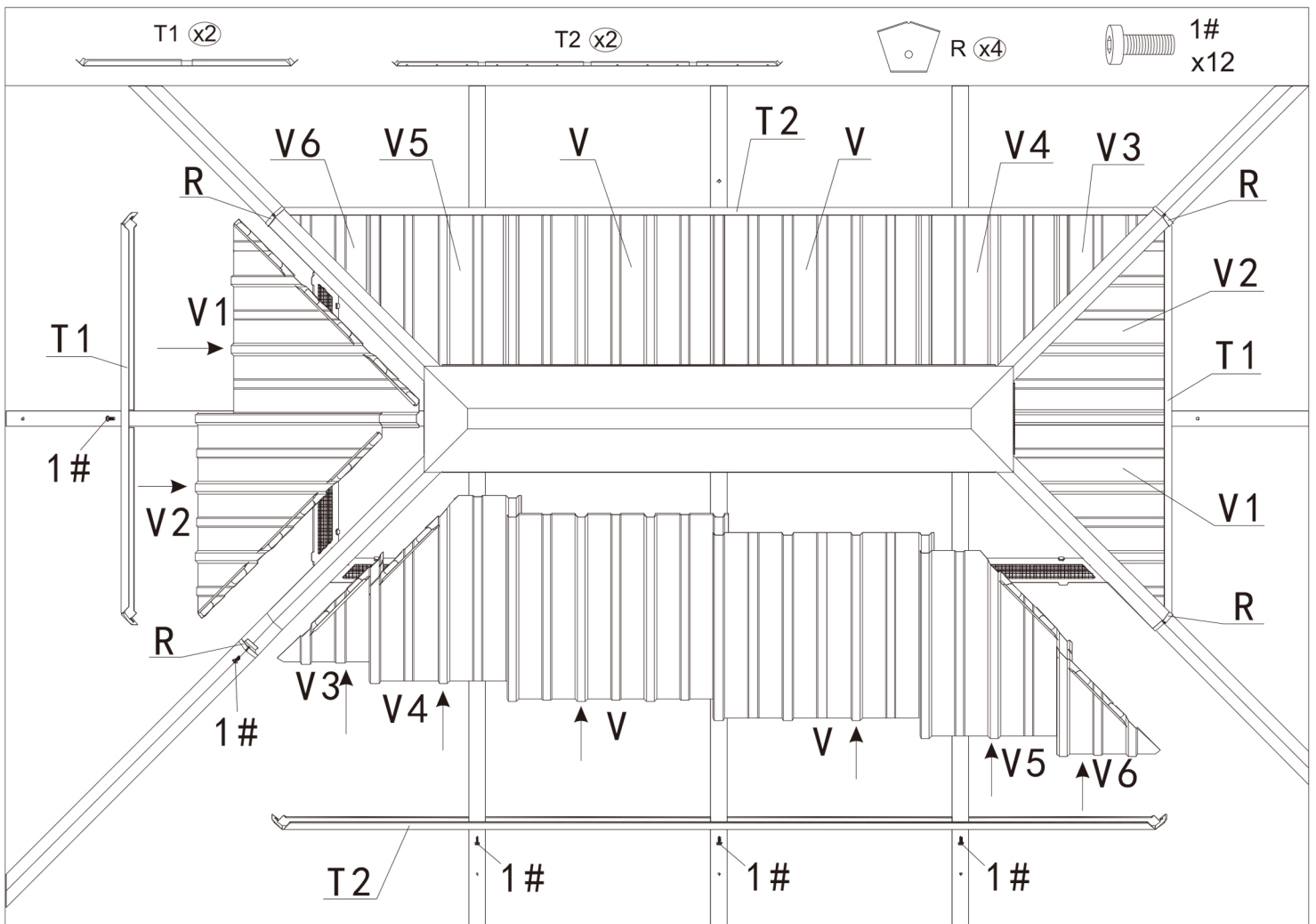
Connect Part K1 to Part K using screw 1#.





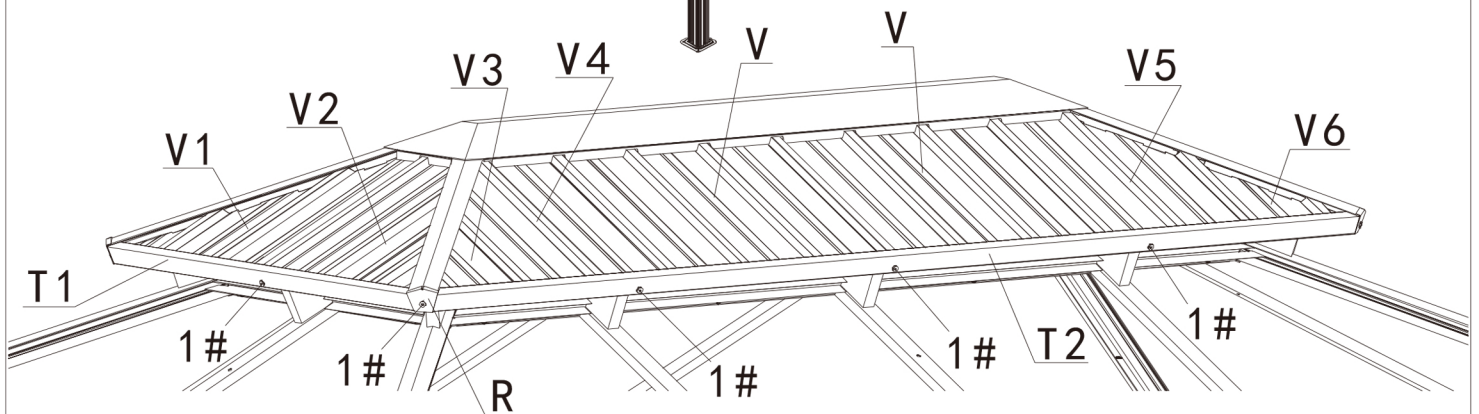
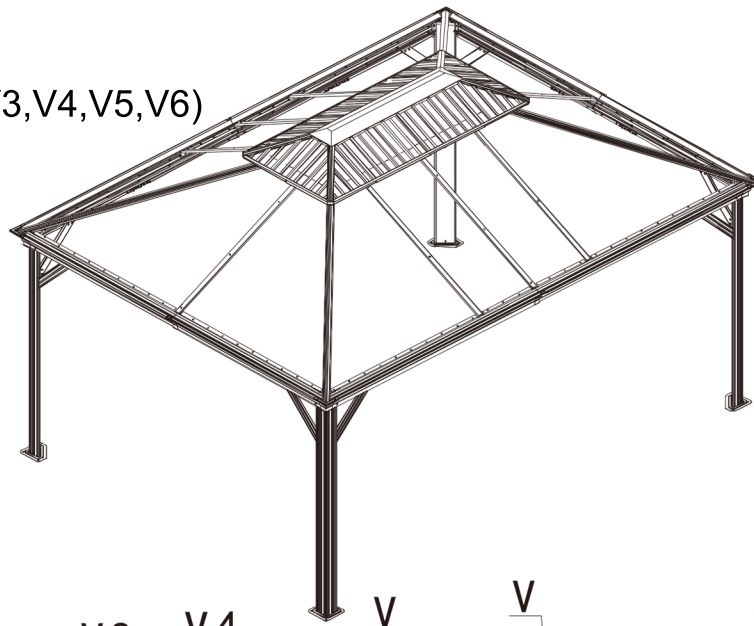
**Step 11:**  
Cover Part Z,Z1&Z2 to  
roof panels.





## Step 12:

Push Part (V,V1,V2,V3,V4,V5,V6) to upper roof.



Attach Part T1&T2 to upper roof with Part R using screws 1#.