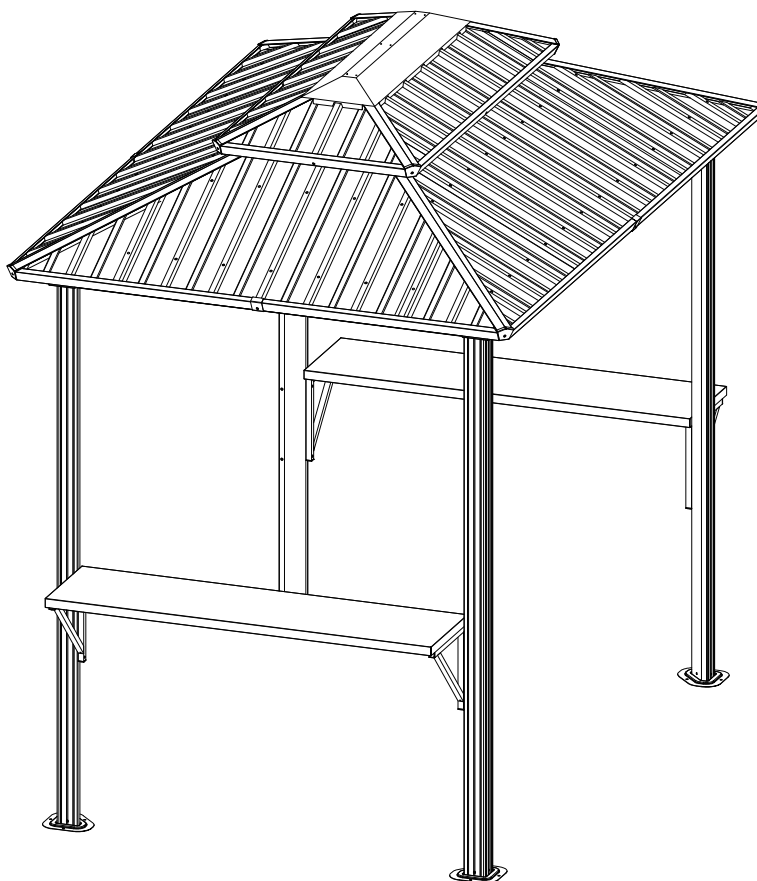
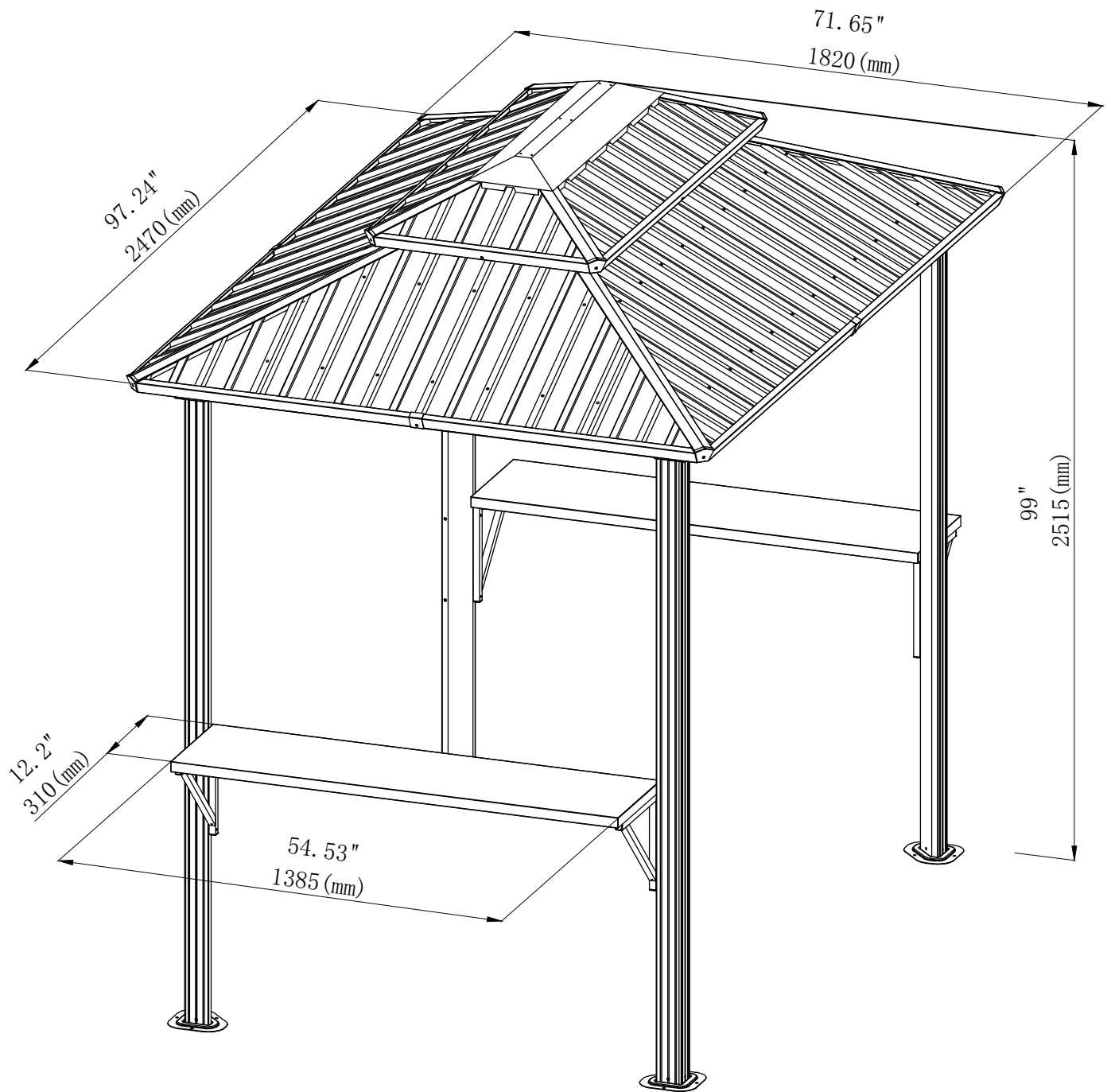


8' x 6' Metal Grill Gazebo

ASSEMBLY MANUAL



MODEL#:LGMD1608



Pre-assembly



1. Two or more people are required for assembly.



2. You will need one or more stepladders.



3. Wearing protective gloves is recommended.



4. You may need a safety hat.



5. Please use a Phillips screw driver.



6. For ease of construction, you may need a drill.



7. You may need a safety goggle.



8. Do not fully tighten screws prior to complete assembly.

Warning & Attention

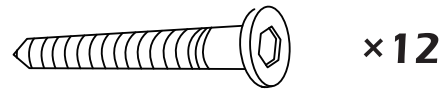
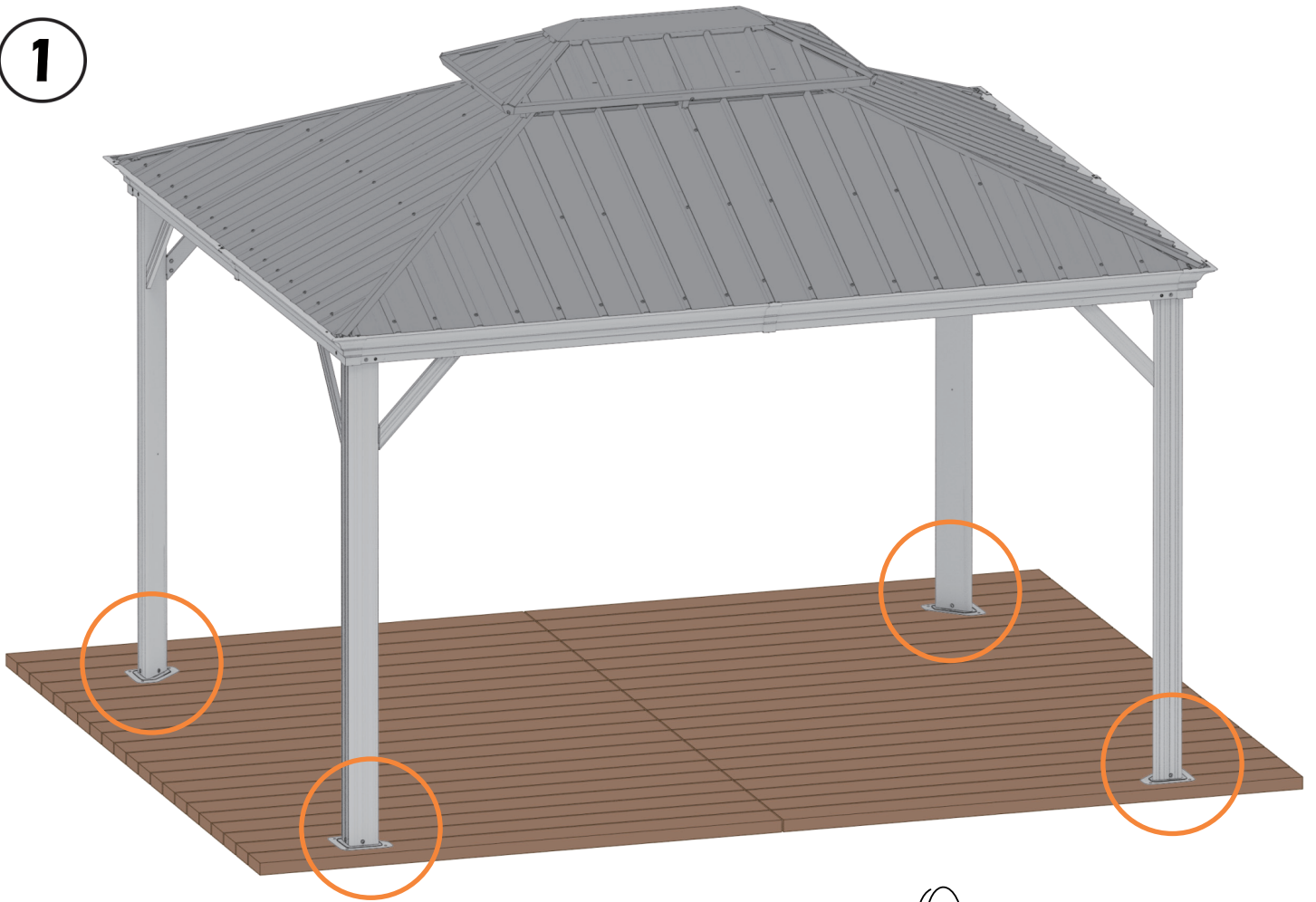
-Try to assemble this product on the flat ground, otherwise it is difficult to carry out;

-It would be much easier to assemble the product with three or more people;

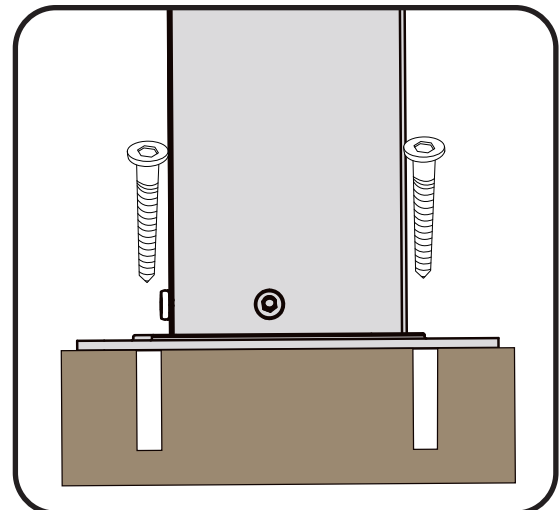
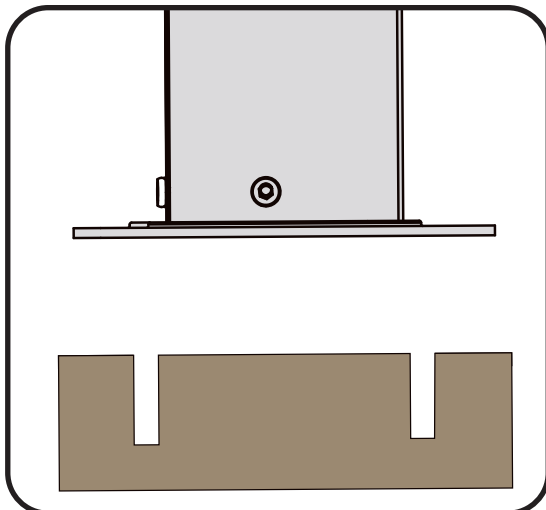
-After assembly, please check whether all screws are tightened, to prevent parts from falling apart.

▲ Use bolts to secure the frame to the ground to against the strong wind.

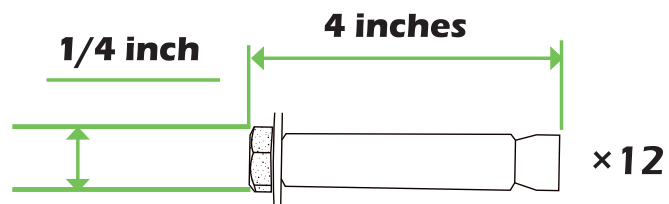
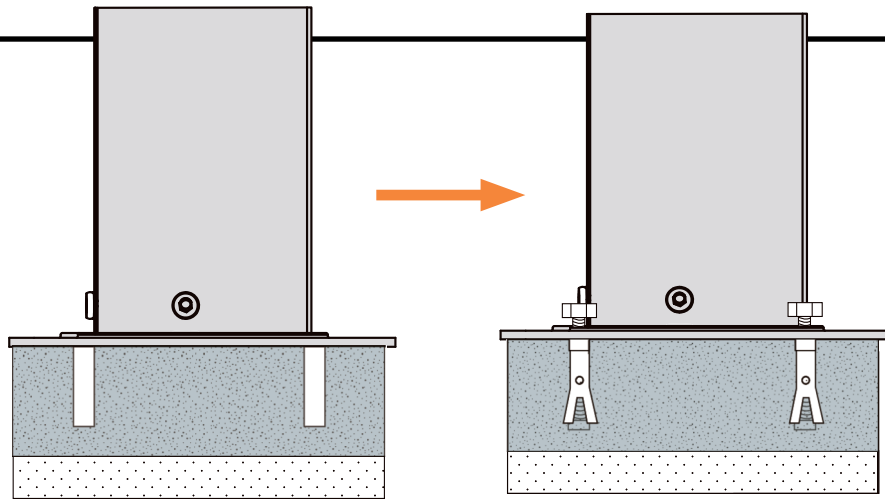
1



If the deck is hard wood and the depth of it is over 3 inch, you can use **5/16 in. ×4 in. Structural Wood Screw** to mount the gazebo.

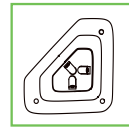
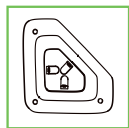
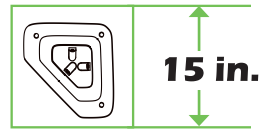
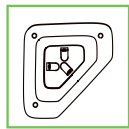


2



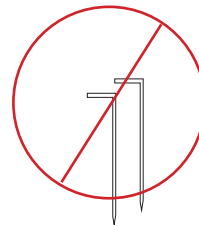
If the ground is concreted and the depth of it is over 3 inch, you can use 1/4 inch expansion bolts to mount the gazebo






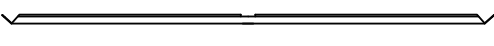






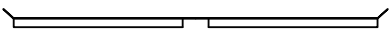

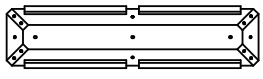
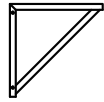

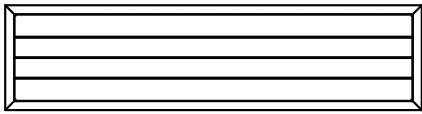
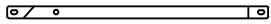

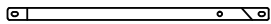
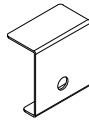

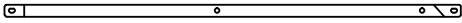


3

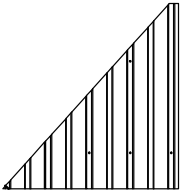
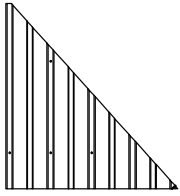
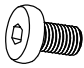
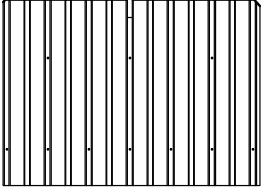
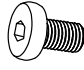
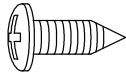
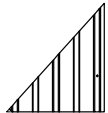
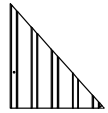
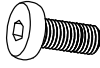
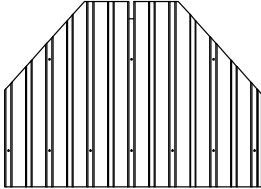
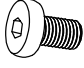
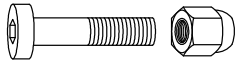


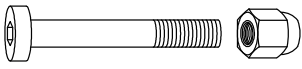
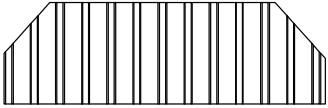

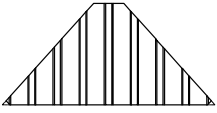
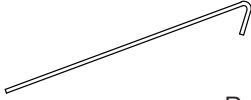
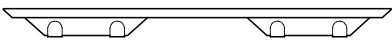

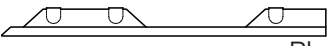
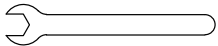
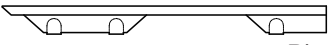
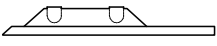
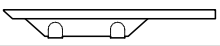


Or you can make a concrete footing for gazebo, **15×15×15 inches** is recommended. use expansion bolts to mount the pergola like ② shows.

IMPORTANT:
Anchor is not recommended



A	 Post	2	M	 Finishing Bar	2
A1	 Post	2	M1	 Finishing Bar	2
B	 Beam	2	N	 Selftapping screw	2
C	 Beam	2	P	 Finishing Bar	2
D	 4  Base Corner Cover	4	Q	 Solidfying Bar	2
F	 Corner Roof Tube	4	R	 Solidfying Bar	2
G	 Middle Roof Tube	4			
H	 Inside Roof Cover	1	S	 Tabletop Support Frame	4
I	 Outside Roof Cover	1	T	 Tabletop	2
J	 Solidfying Bar	2	U	 Fixing Bracket	12
J1	 Solidfying Bar	2	V	 Fixing Bracket	4
K	 Solidfying Bar	2			
K1	 Solidfying Bar	2			
1			L	 Finishing Bar	2
			L1	 Finishing Bar	2

X		2	X2		2	1#	 M5×10	12	
								Bolt	
X1					2	3#	 M6×16	83	
						4#	 ST4.8×12	16	
								Bolt	
Y		2	Y2		2	5#	 M6×25	4	
								Bolt	
Y1					2	6#	 M6×10	4	
						7#	 M6×28	32	
								Bolt and Nut	
Z		2	Z2		2	8#	 M6×45	16	
								Bolt and Nut	
Z1					2	9#	 M6×28	16	
								Bolt	
AA					2	10#		8	
								Post Anchor	
AB					36	11#		1	
								Wrench	
AB1					2	12#		1	
								Wrench	
AB2					2				
AB3					4				
AB4					4				
2									



A (x2)



D (x2)

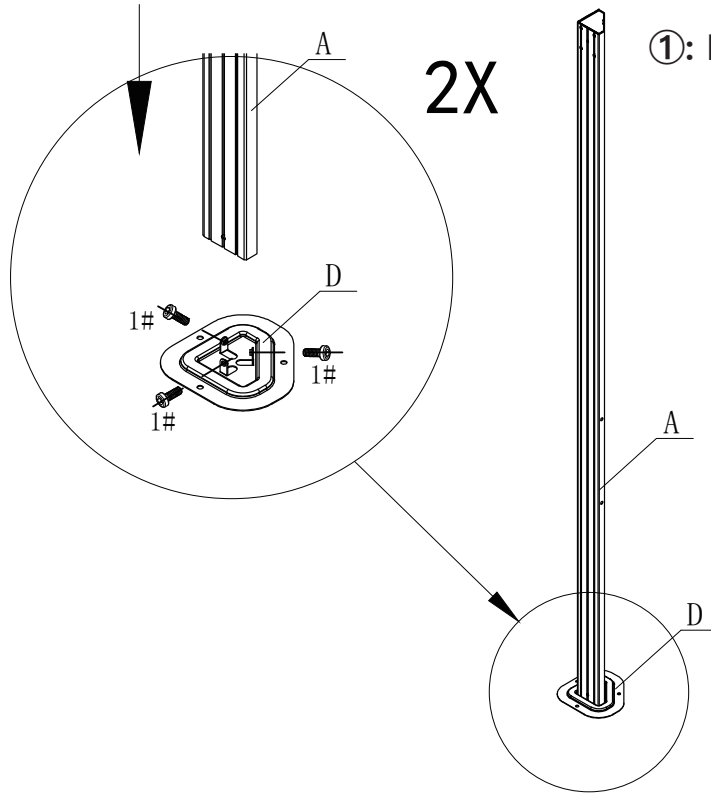


M5x10

1# (x6)



11# (x1)



A1 (x2)

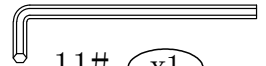


D (x2)

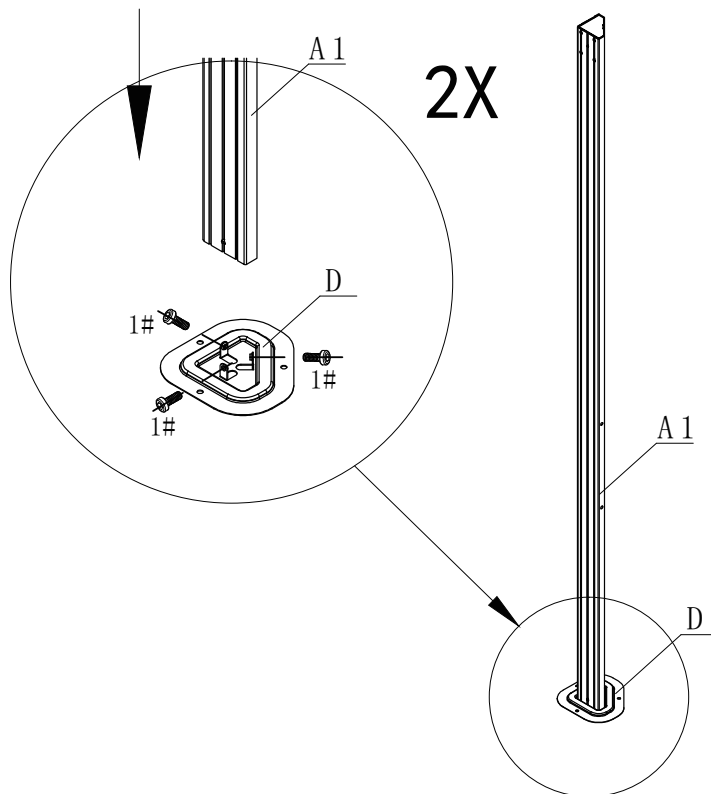


M5x10

1# (x6)



11# (x1)



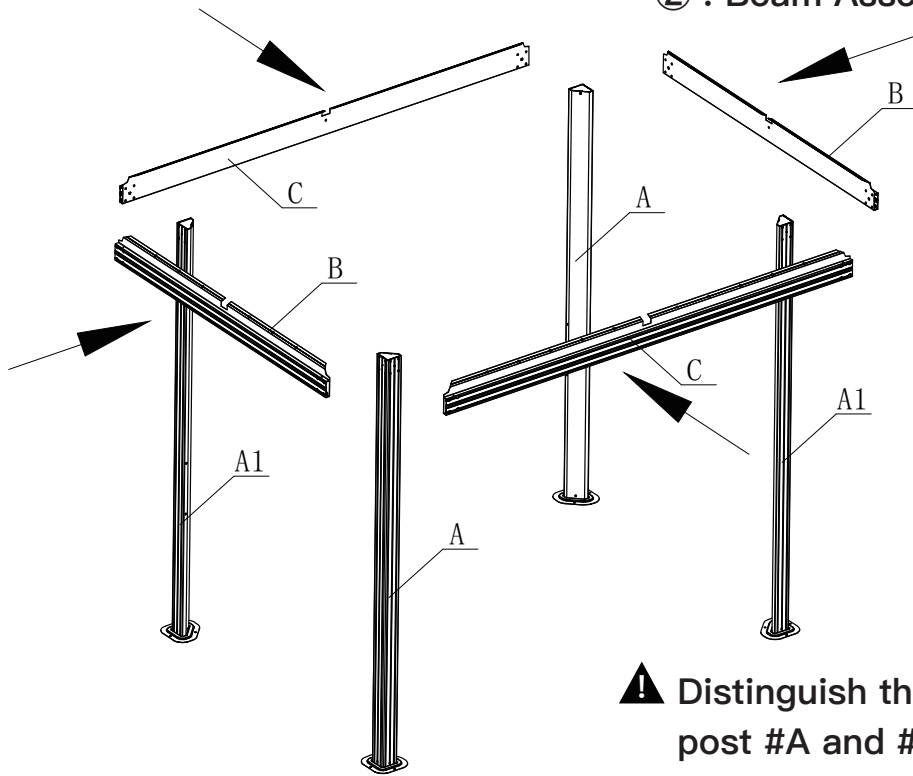


B (x2)



C (x2)

② : Beam Assembly Instruction



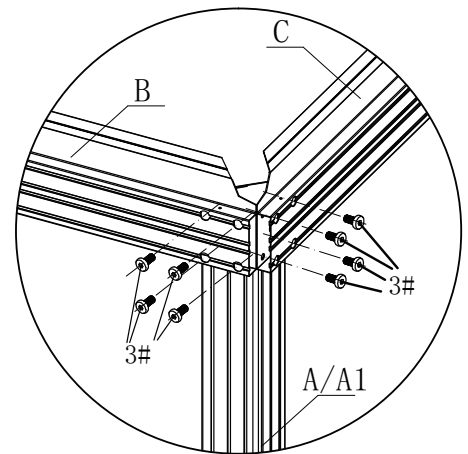
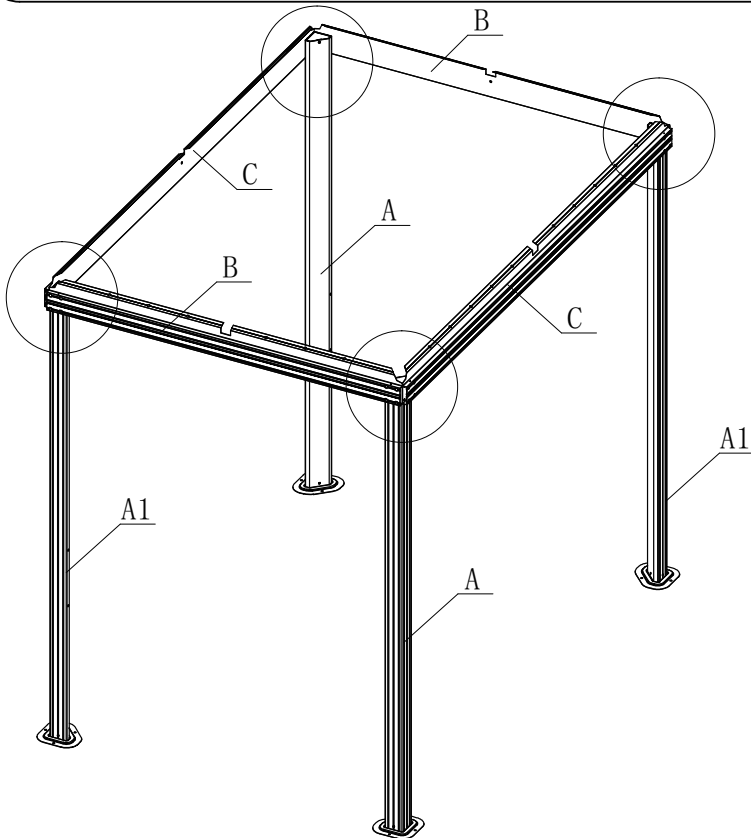
! Distinguish the position of post #A and # A1.



3# (x32)



11# (x1)



4X

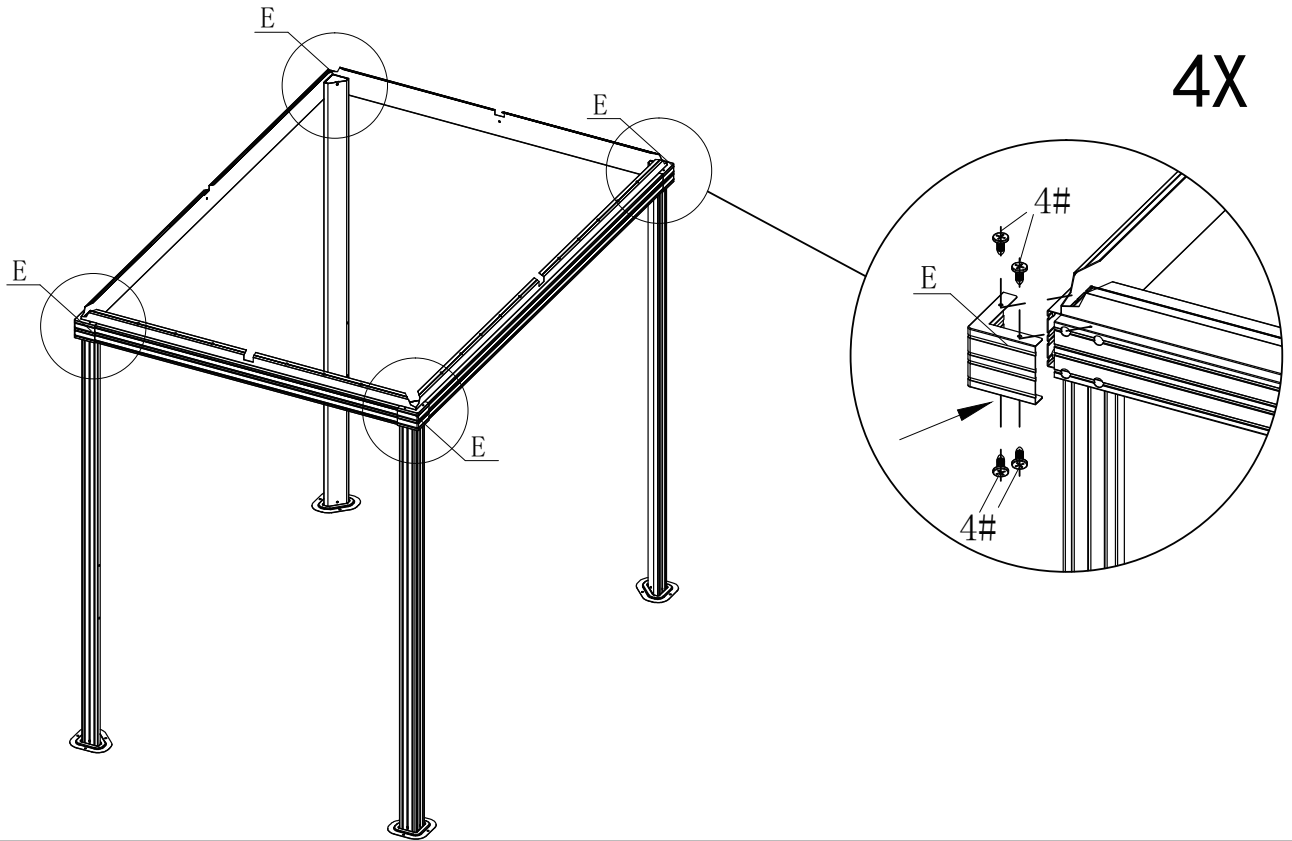


E (x4)

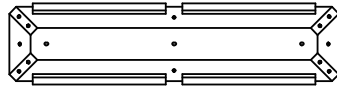


ST4.8x12

4# (x16)

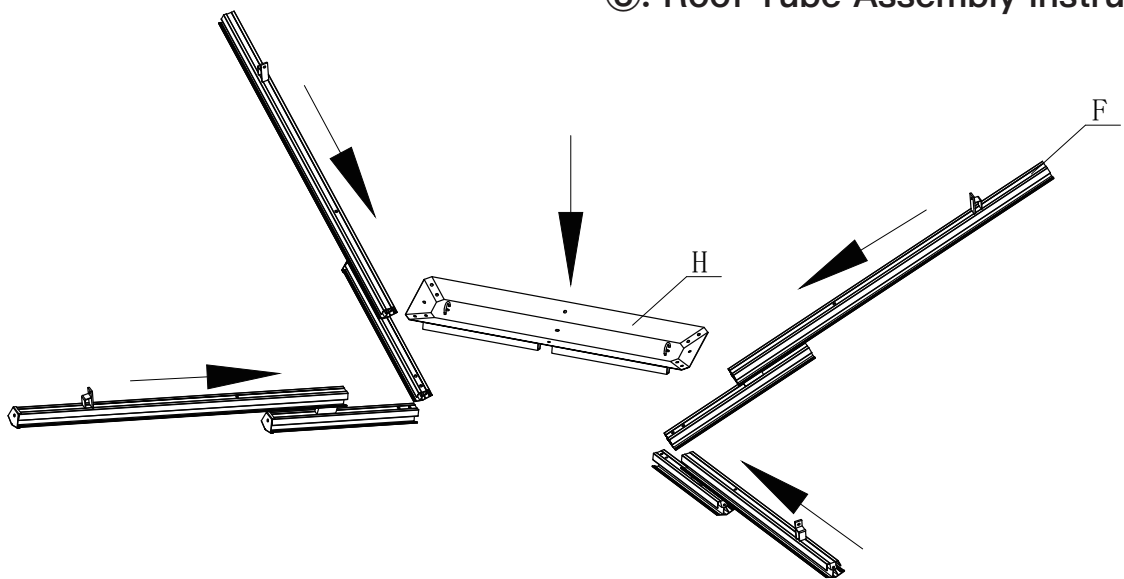


F (x4)



H (x1)

③: Roof Tube Assembly Instruction



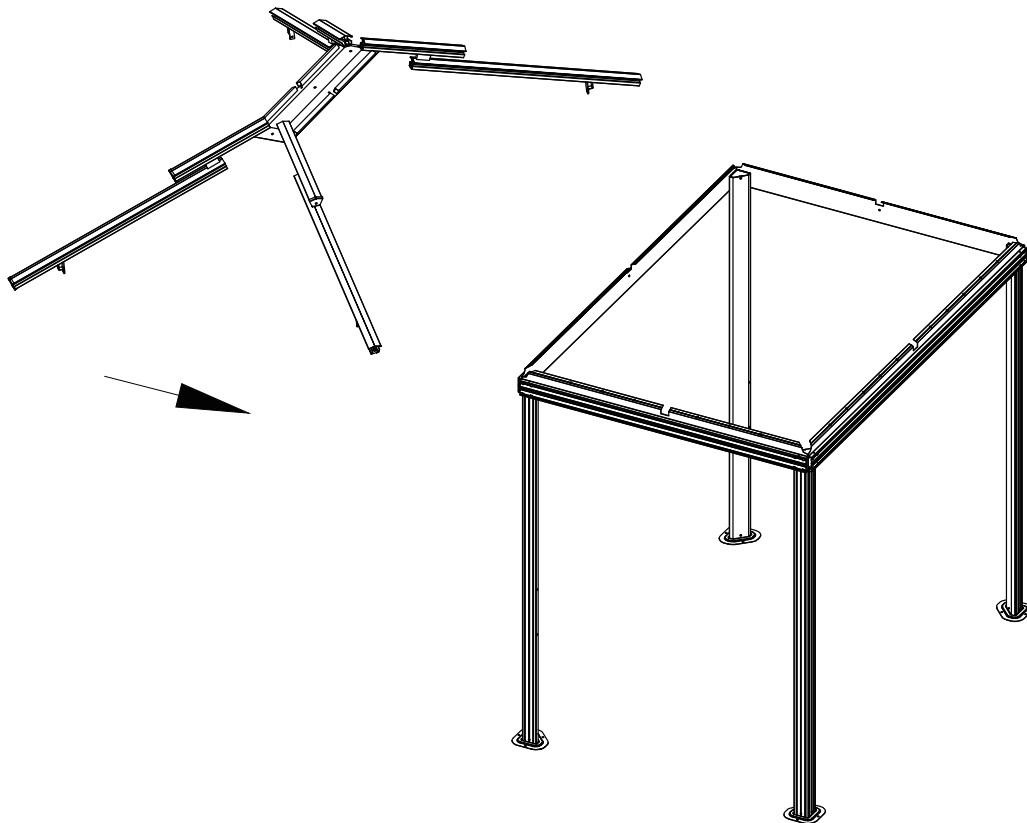
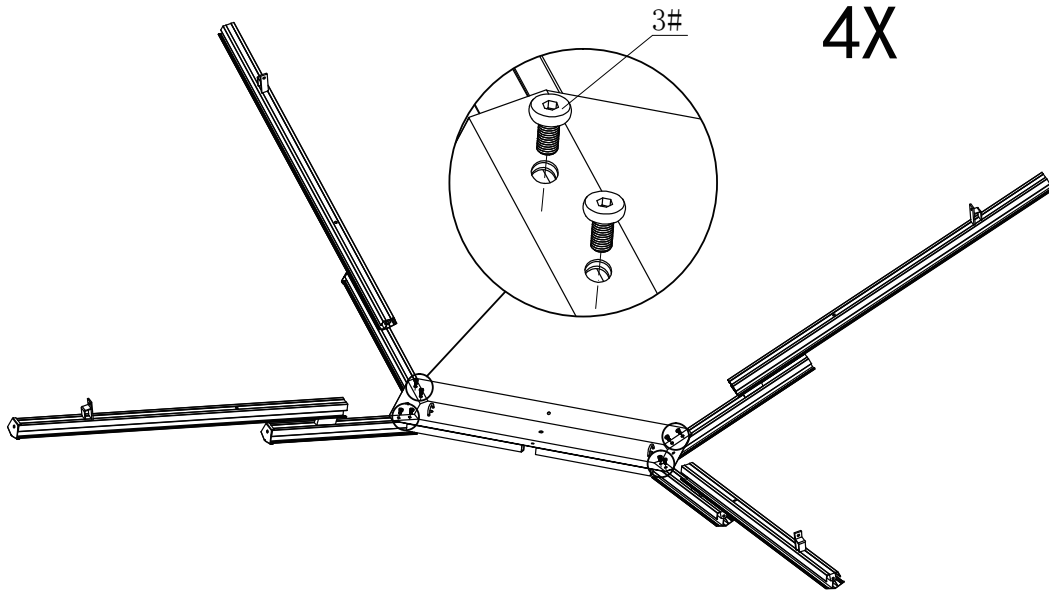


M6x16

3# **x8**



11# **x1**



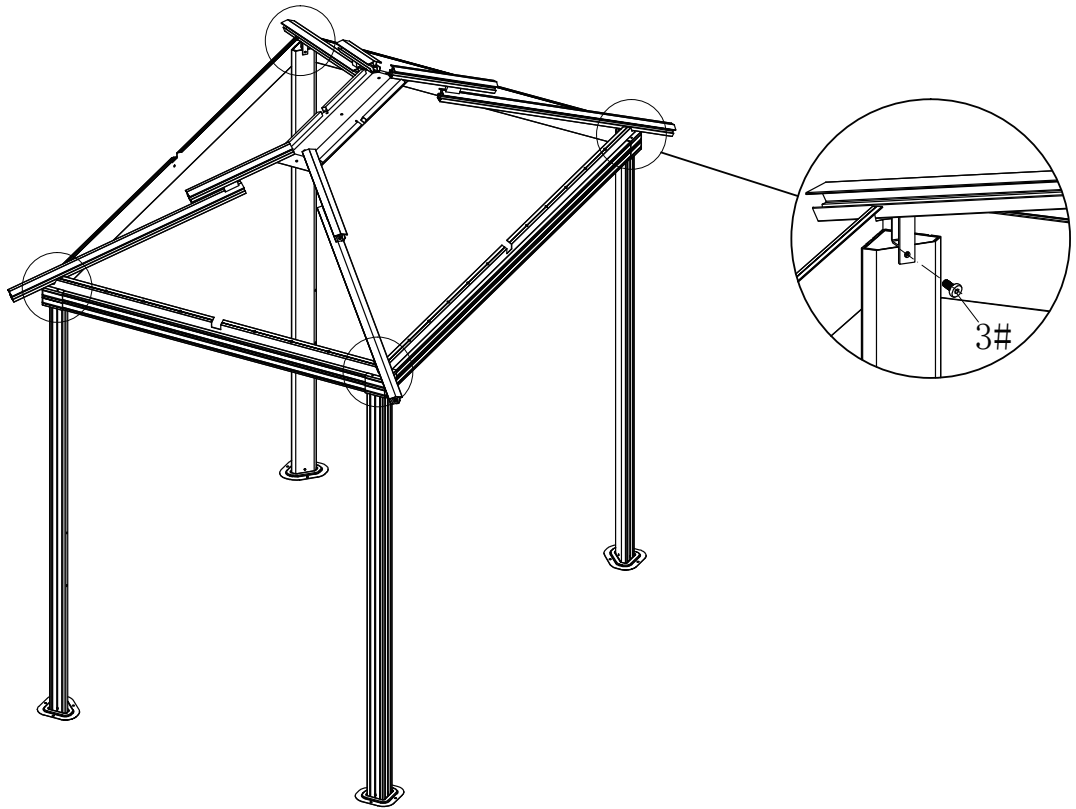


M6x16

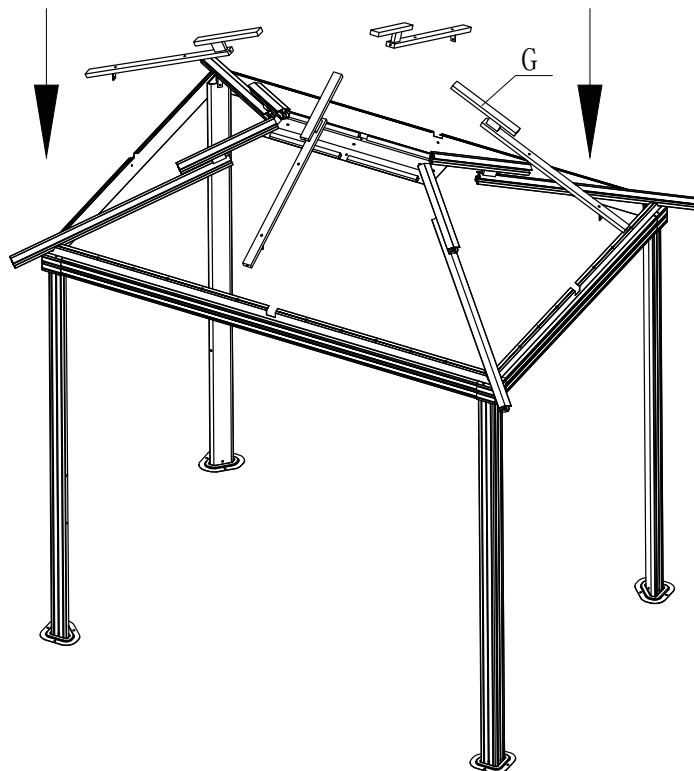
3# (x4)



11# (x1)



G (x4)



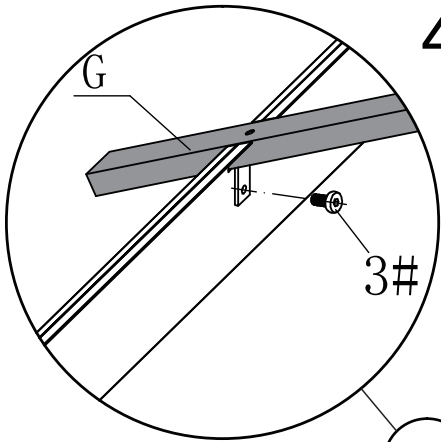


M6x16

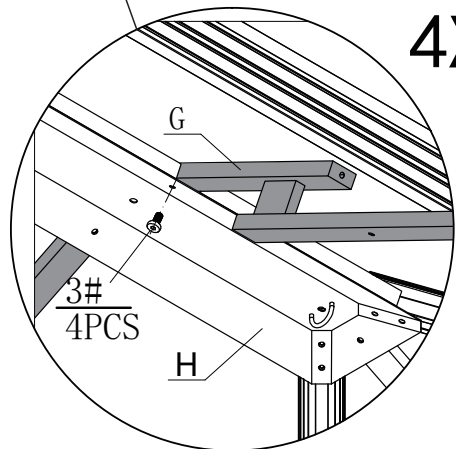
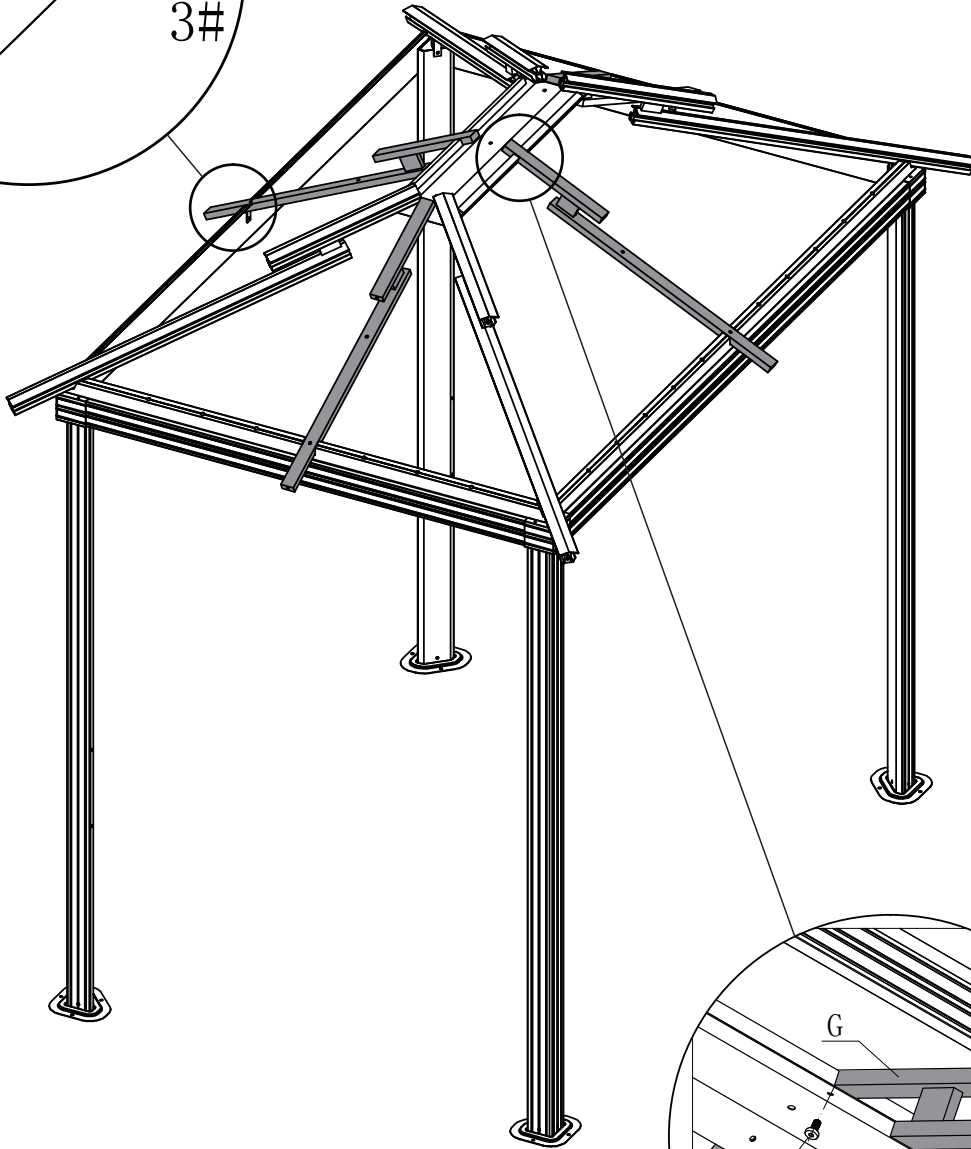
3# (x8)



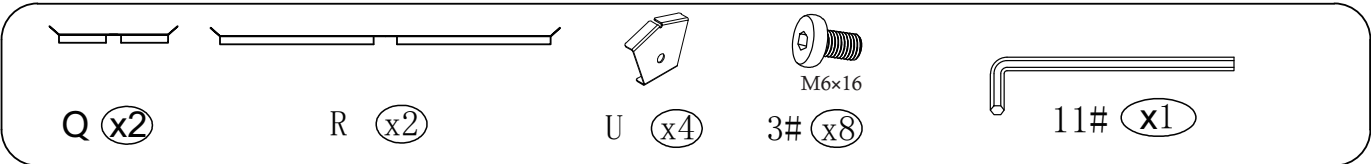
11# (x1)



4X

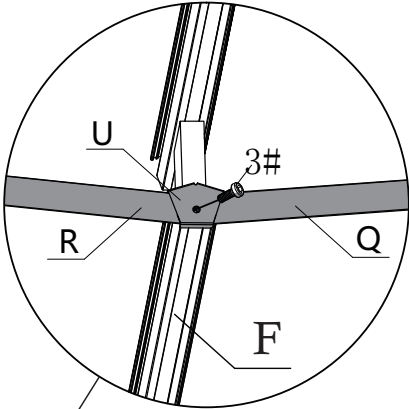
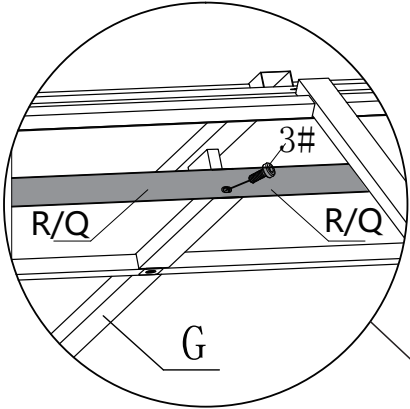


(From bottom to top)

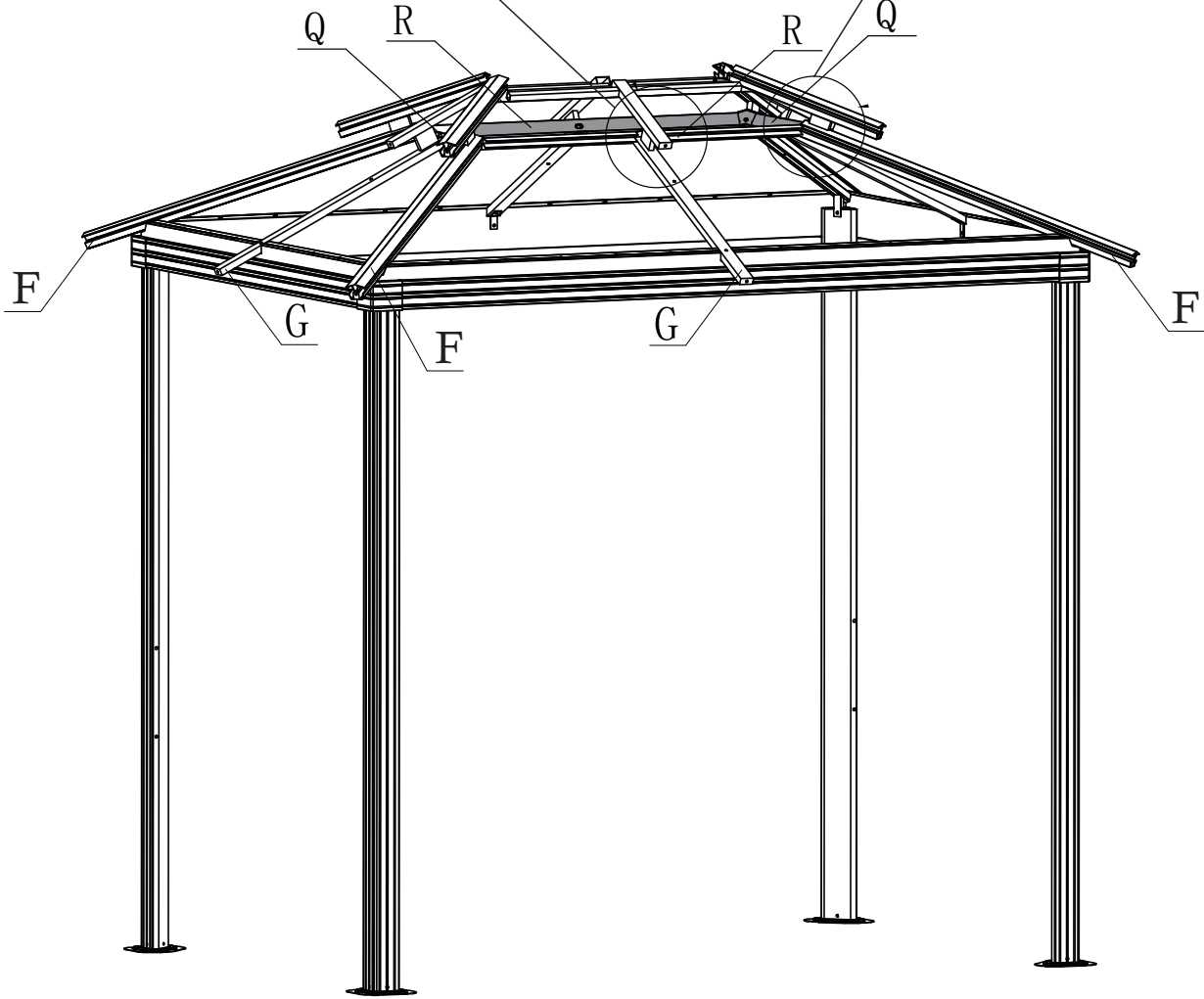


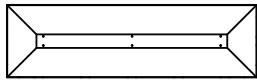
①: Use 4 bolts #3 to install part #Q or #R to the middle roof tube #G.

②: Use 4 bolts #3 to install part #Q and #R to corner roof tube #F.



Inside View





I (x1)

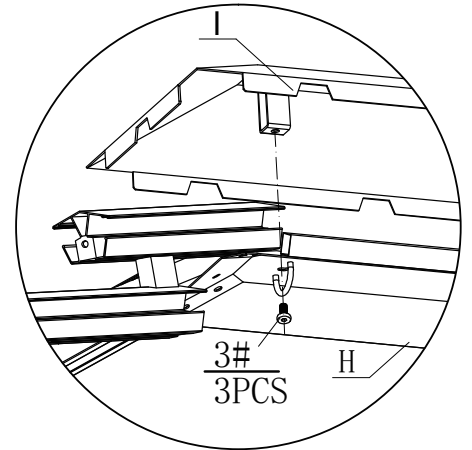
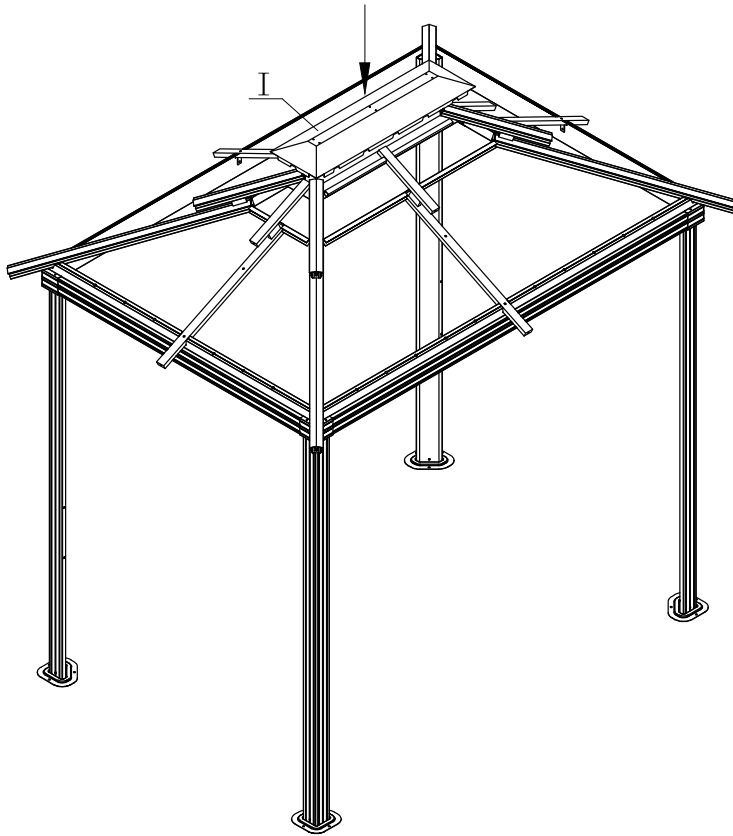


M6x16

3# (x3)

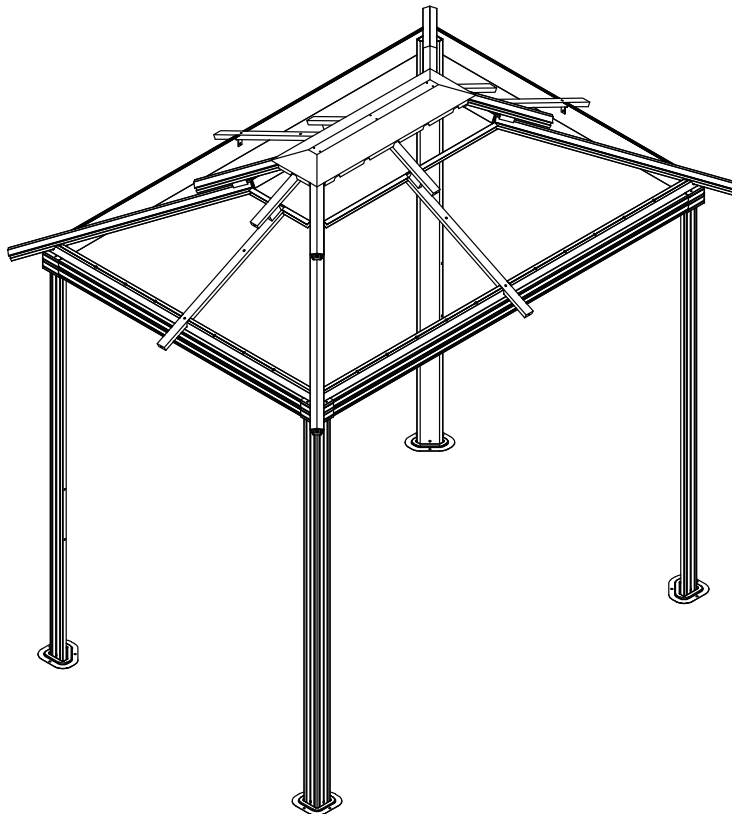


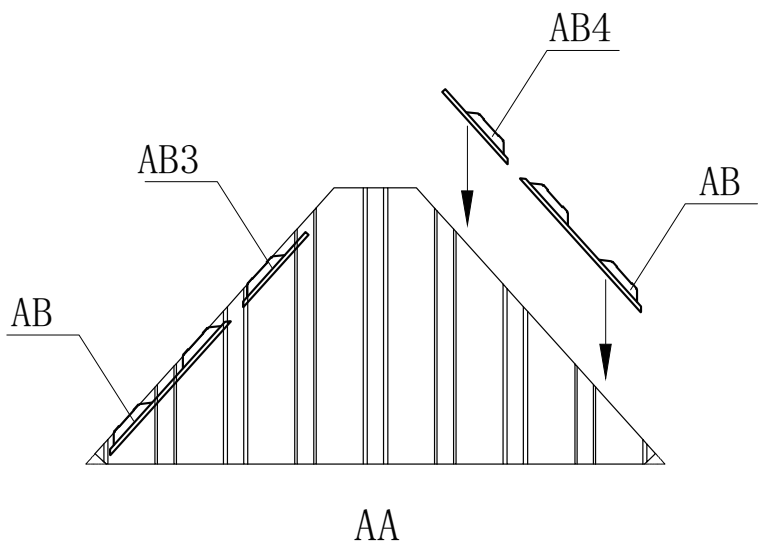
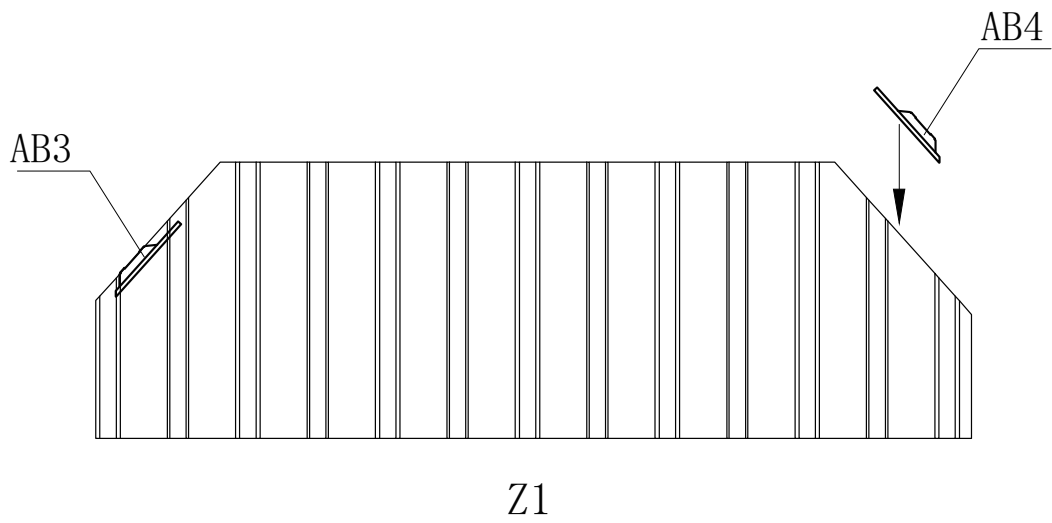
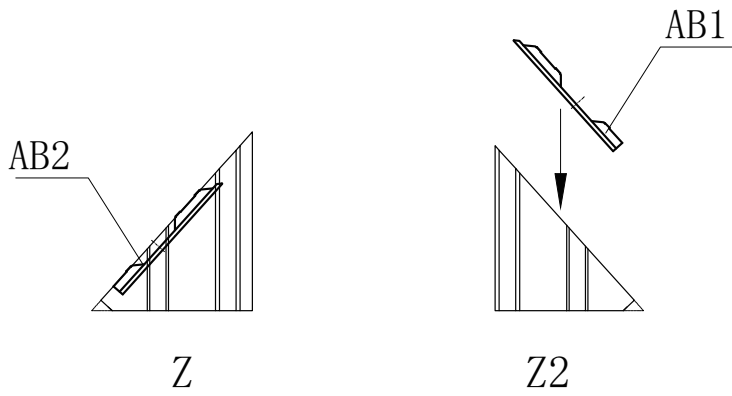
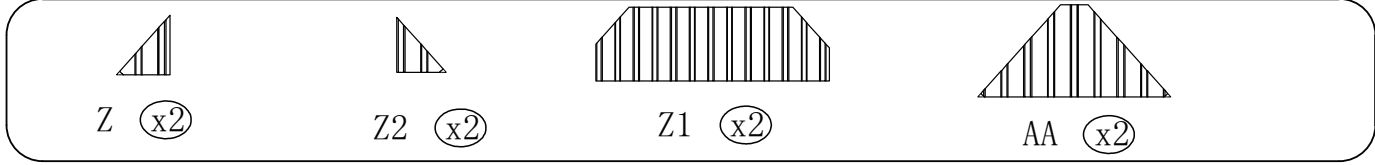
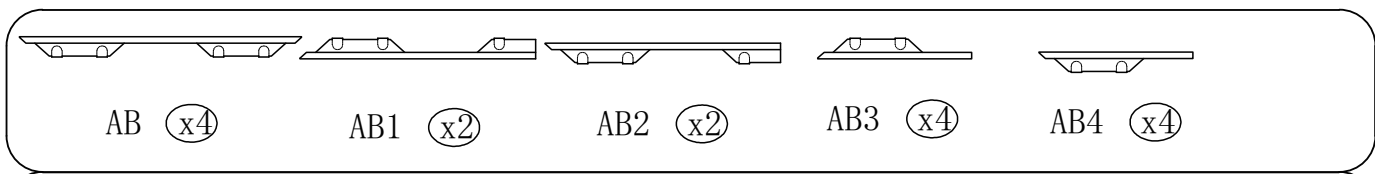
11# (x1)

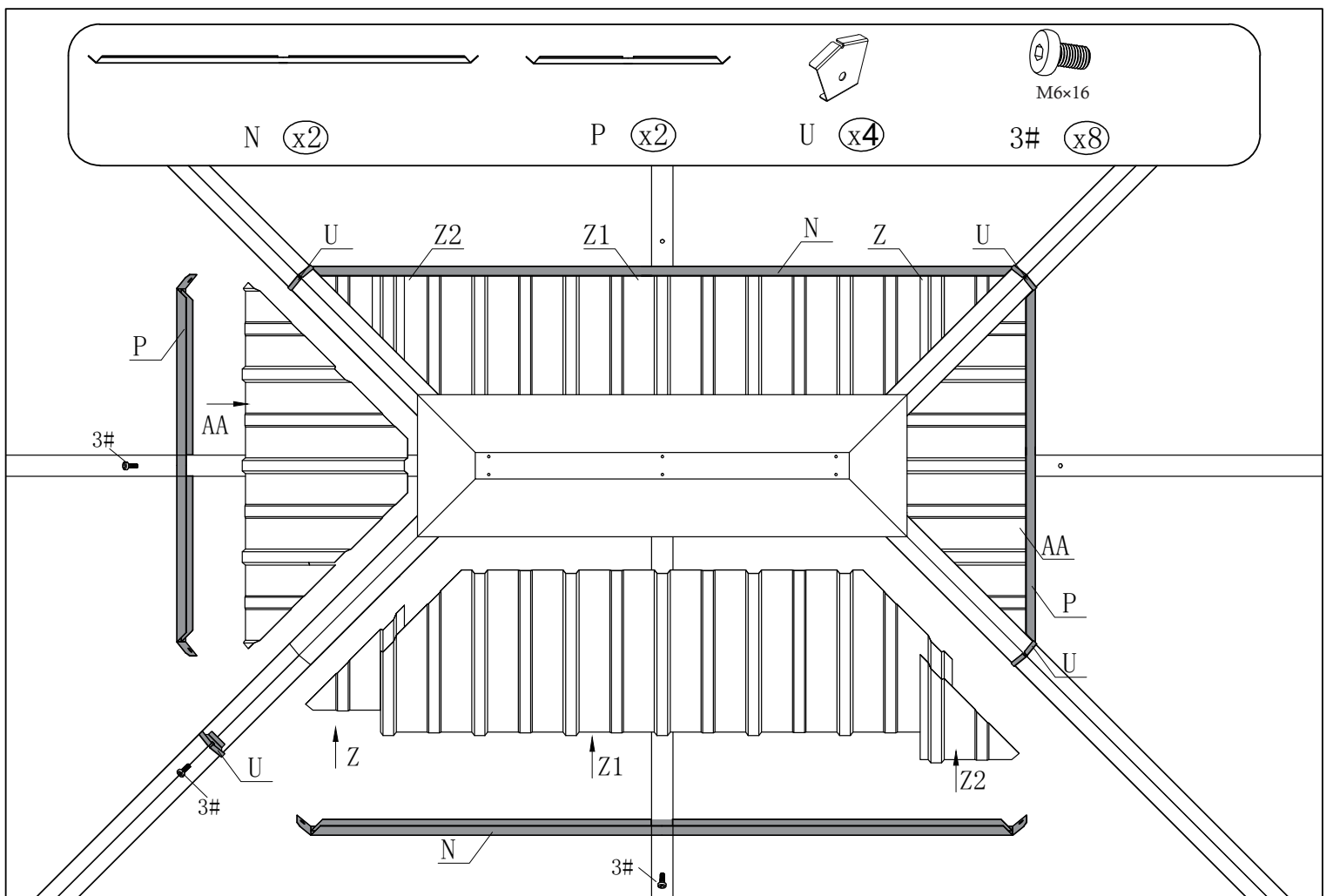


Install the outside roof cover #I onto the inside roof cover #H.

④: Roof Panel Assembly Instruction







Step 1: Insert roof panel #Z, Z1, Z2 into the frame, use bolt #3 to fix part #N to the middle roof tube.

Repeat the above procedures to assemble the opposite side.


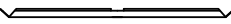


Step 2: Insert roof panel #AA, use bolt #3 to fix part #P to the middle roof tube.

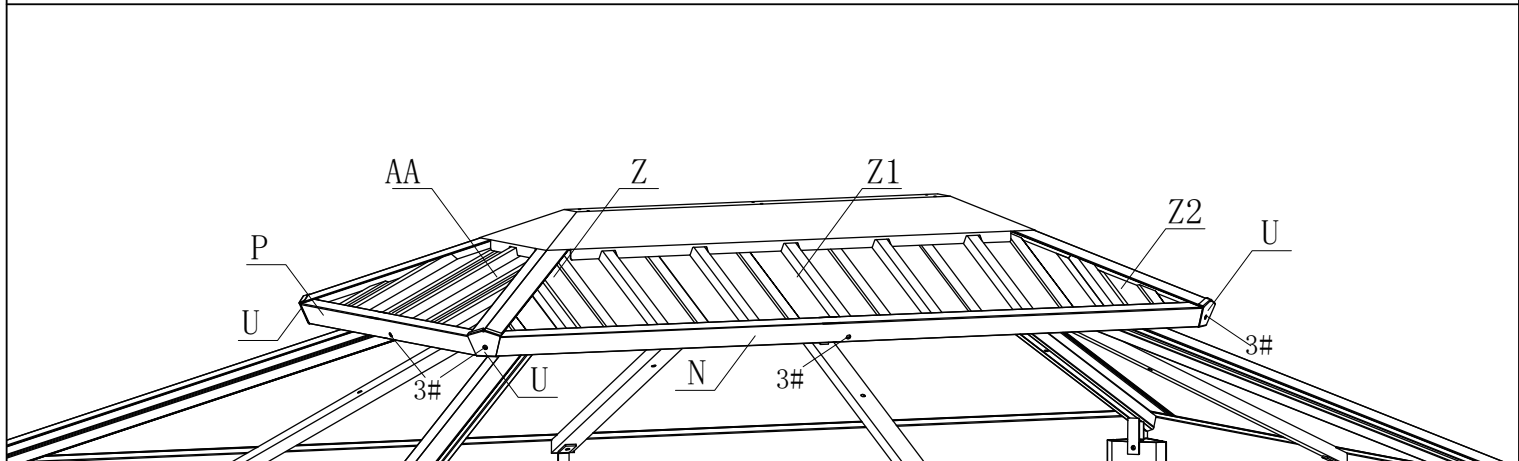
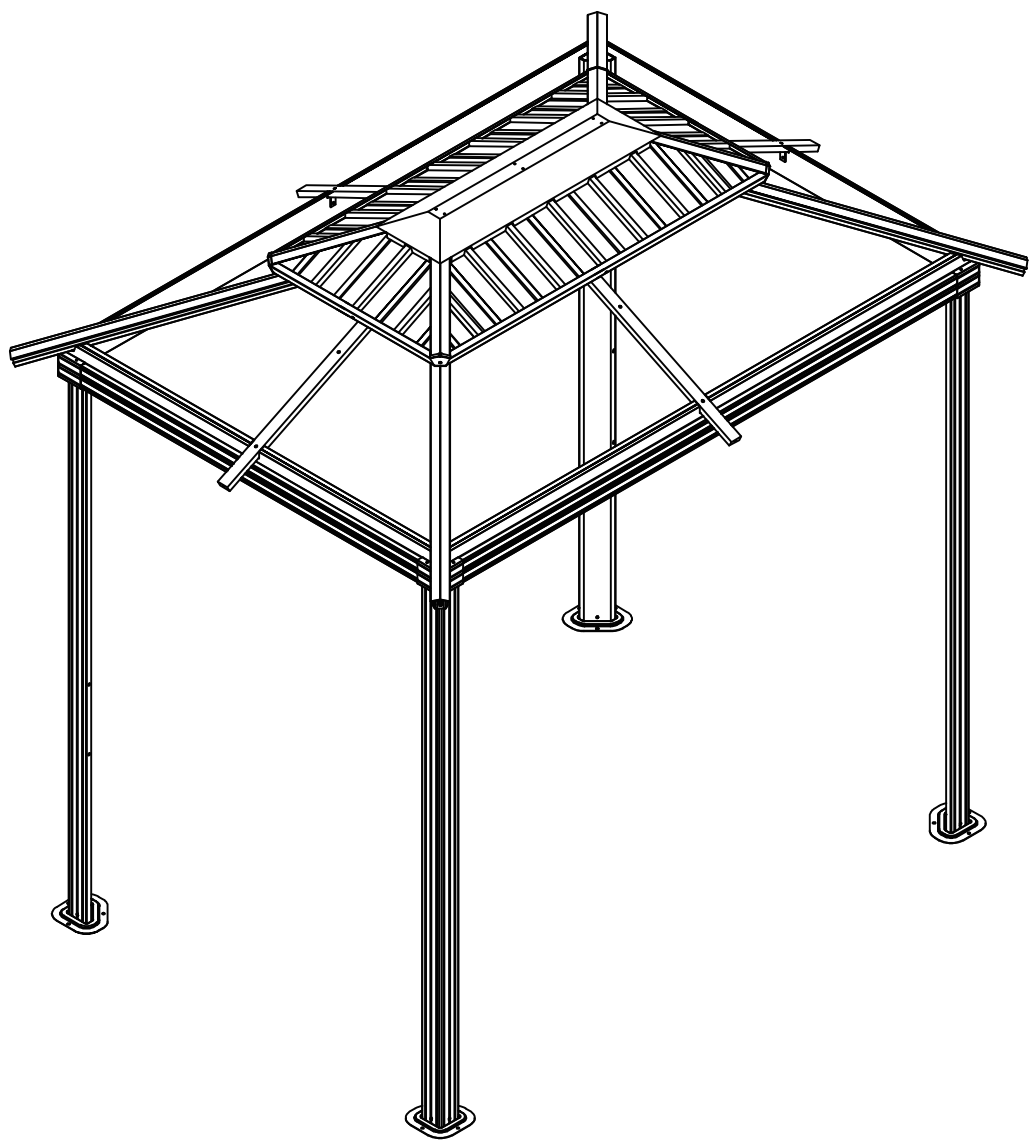
Repeat the above procedures to assemble the opposite side.

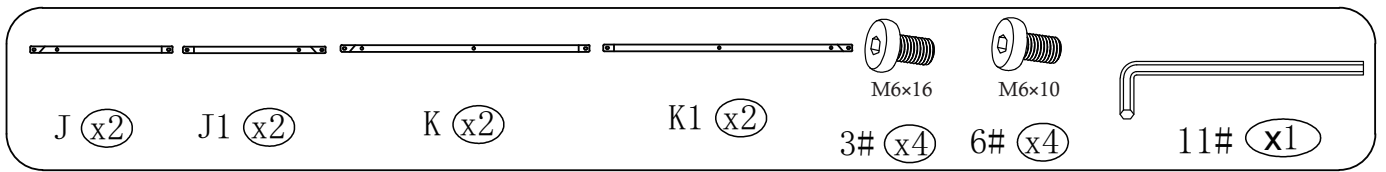
Step 3: Place part #N and part #P on corner roof tube, put on fixing bracket #U and secure with bolt #3.

Repeat the above procedures to assemble the other 3 corners.

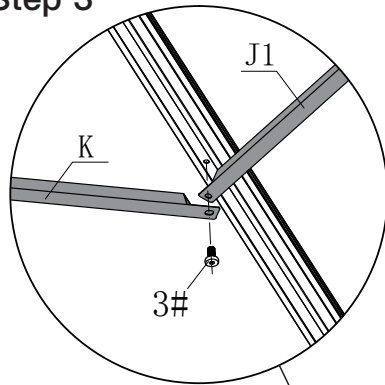
▲ The bigger roof panel need to cover the smaller one. If you can't install roof panel #Z1, push the outside roof cover up and try to insert it again.

			
N (x2)	P (x2)	U (x4)	M6x16 3# (x8)

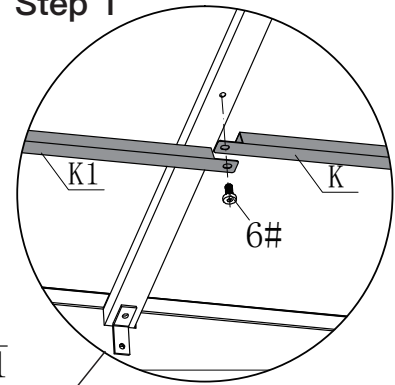




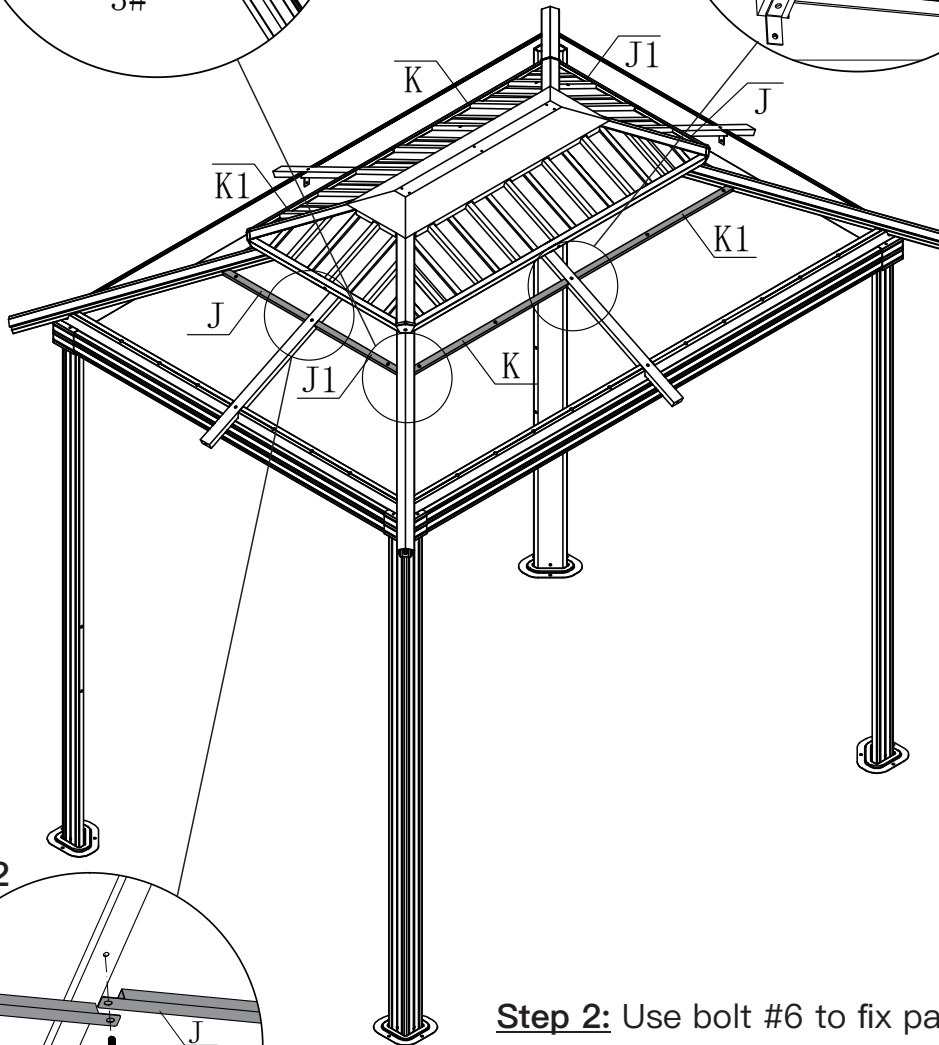
Step 3



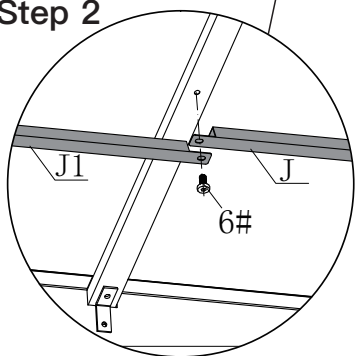
Step 1



Inside View



Step 2



Step 2: Use bolt #6 to fix part #J and #J1 to the middle roof tube.

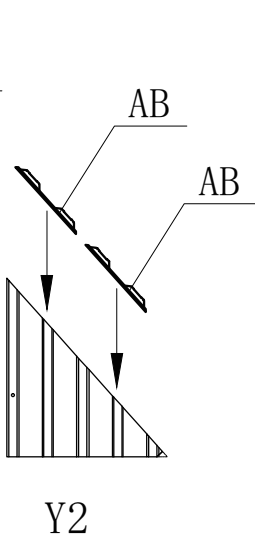
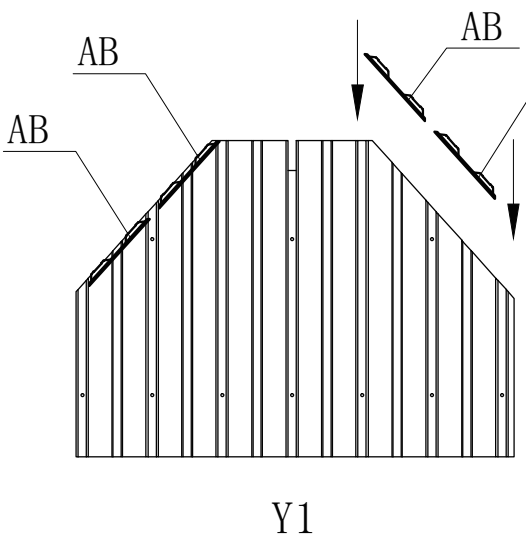
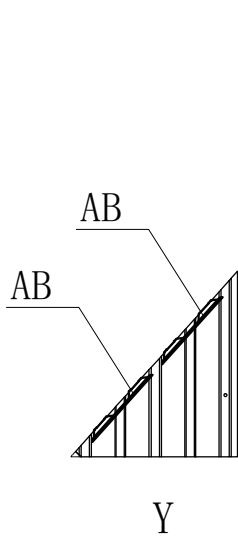
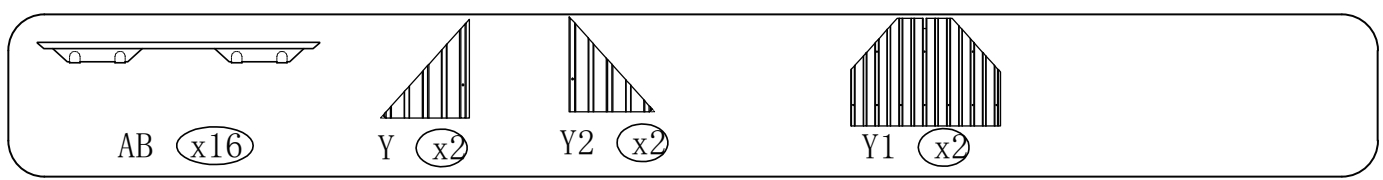
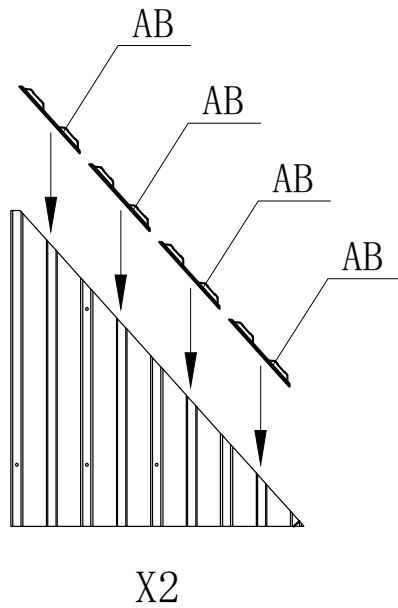
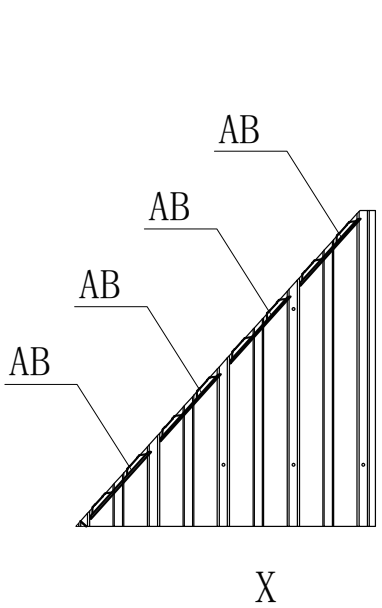
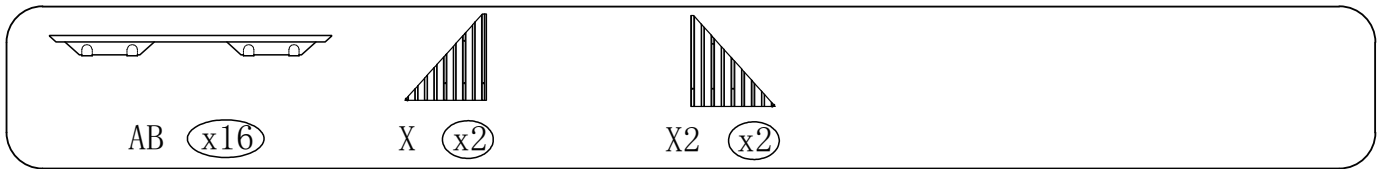
Repeat the above procedures to assemble the opposite side.

Step 1: Use bolt #6 to fix part #K and #K1 to the middle roof tube.

Repeat the above procedures to assemble the opposite side.

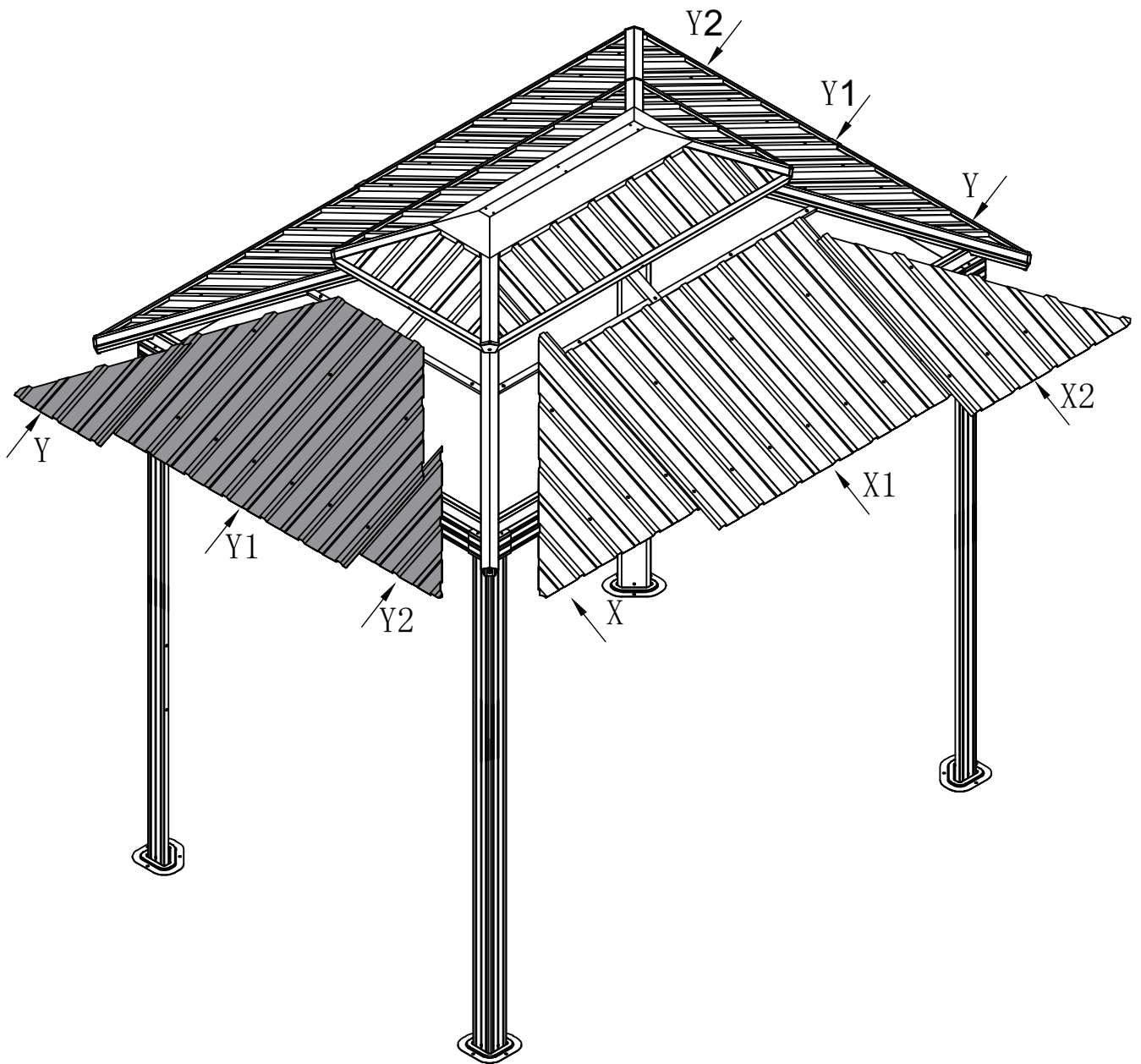
Step 3: Use bolt #3 to fix part #J1 and #K, #J and #K1 to the corner roof tube.

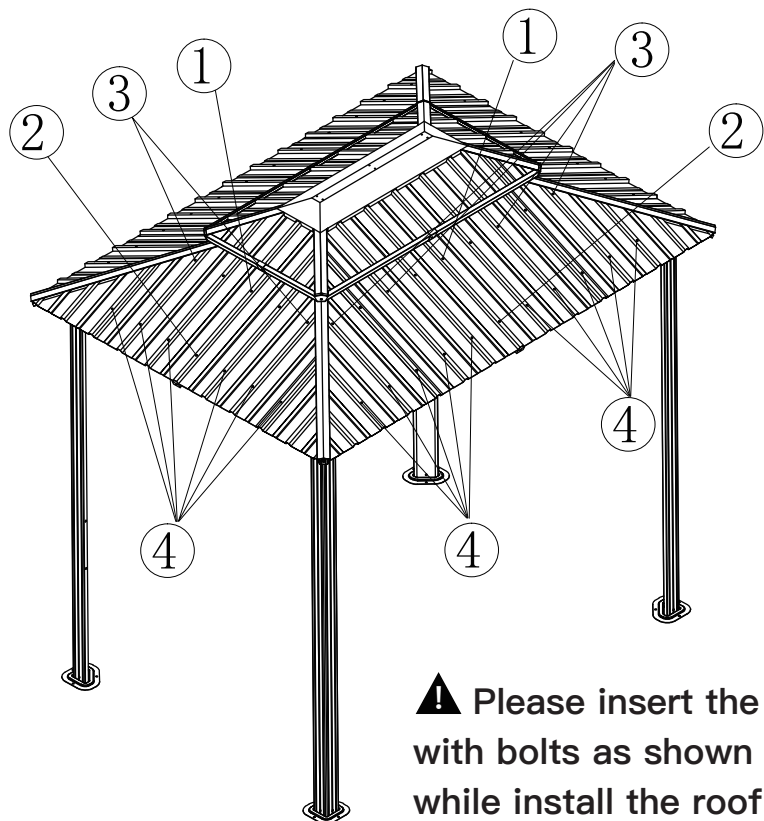
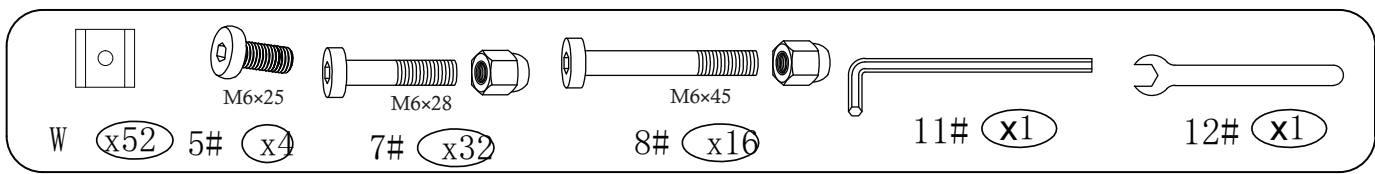
Repeat the above procedures to assemble the other 3 corners.



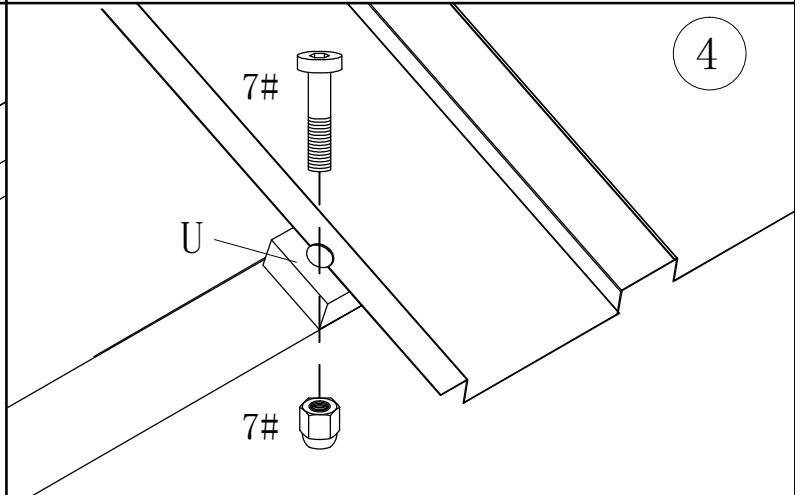
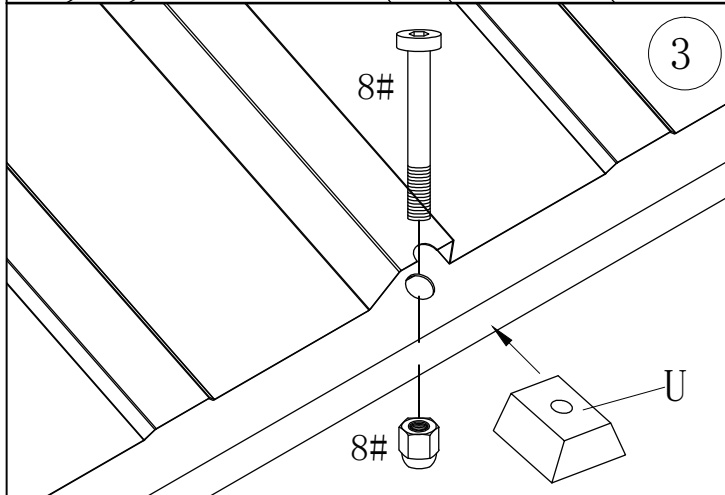
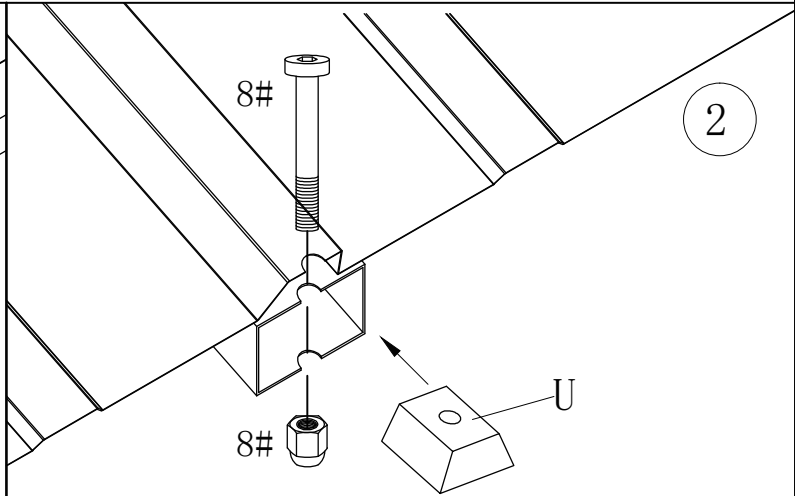
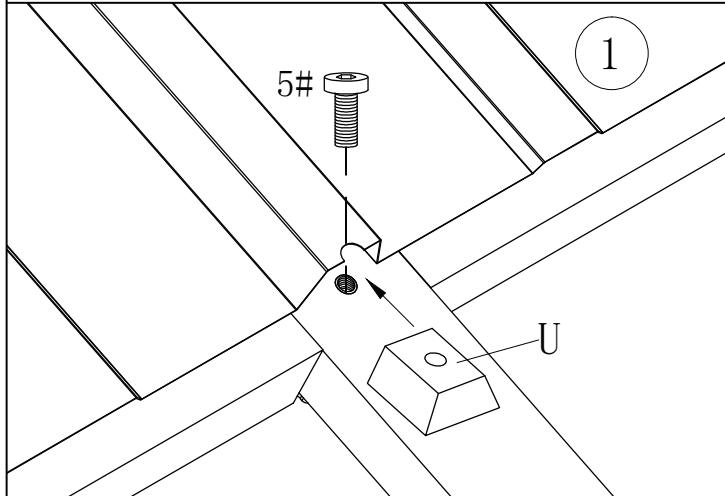
Insert roof panel #Y, #Y1 and #Y2 into the frame.

⚠ Please insert the spacer #W and fix with bolts as shown in the next page while install the roof panel.



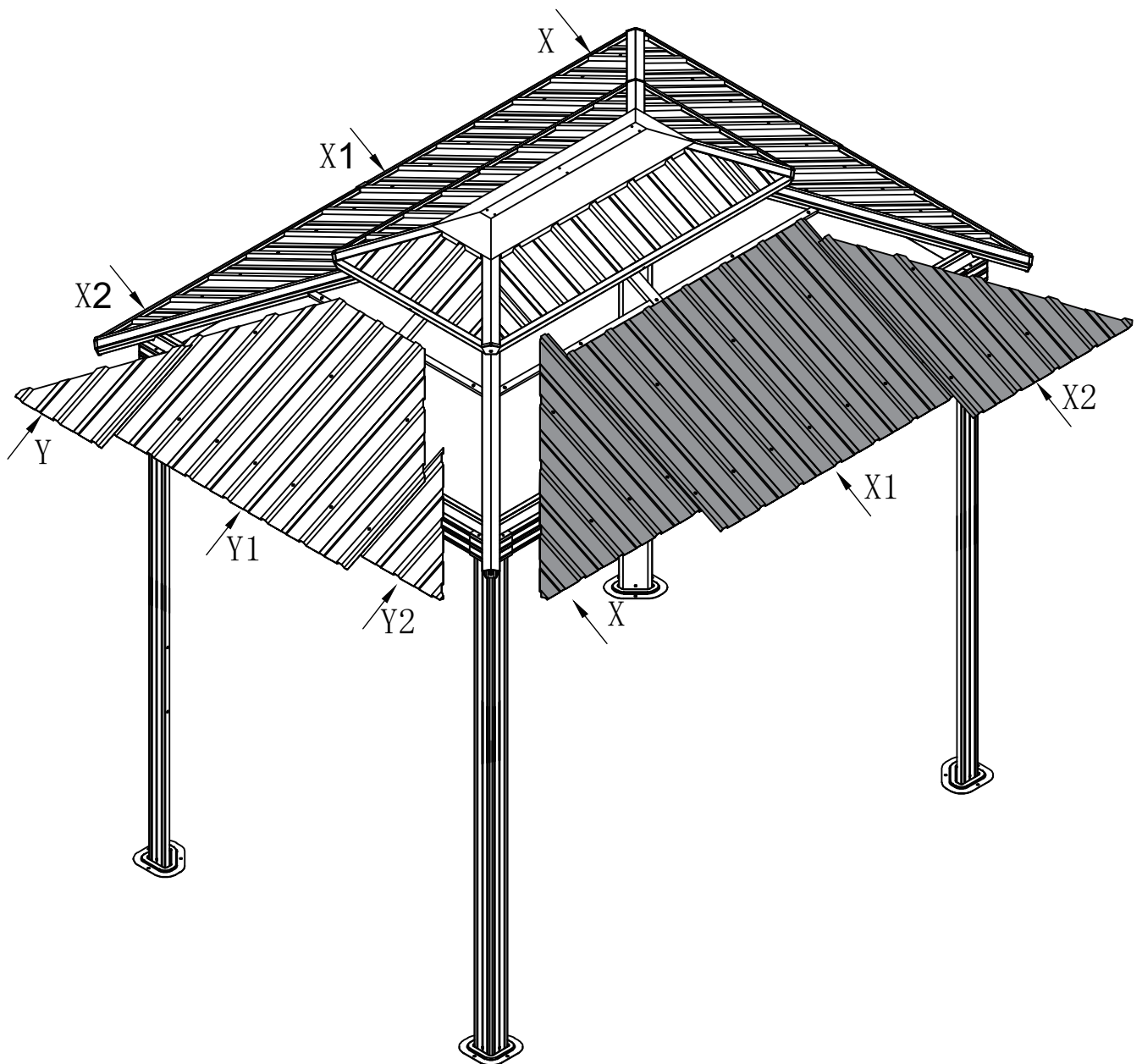


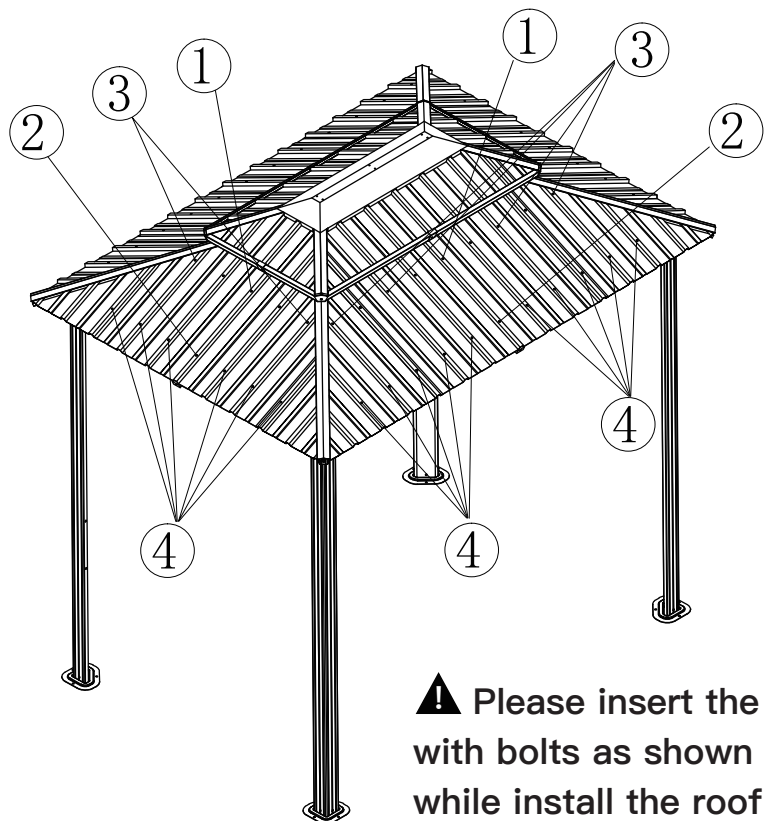
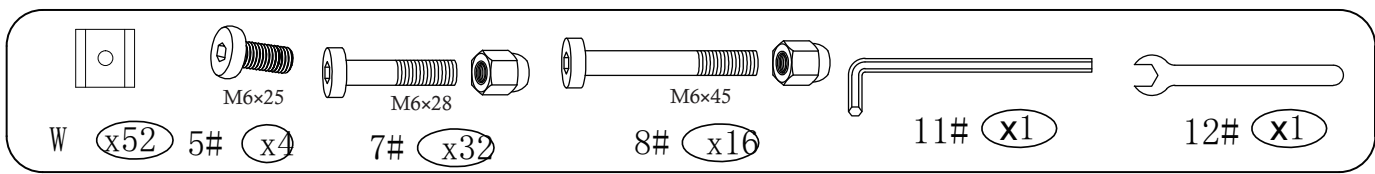
▲ Please insert the spacer #W and fix with bolts as shown in the next page while install the roof panel.



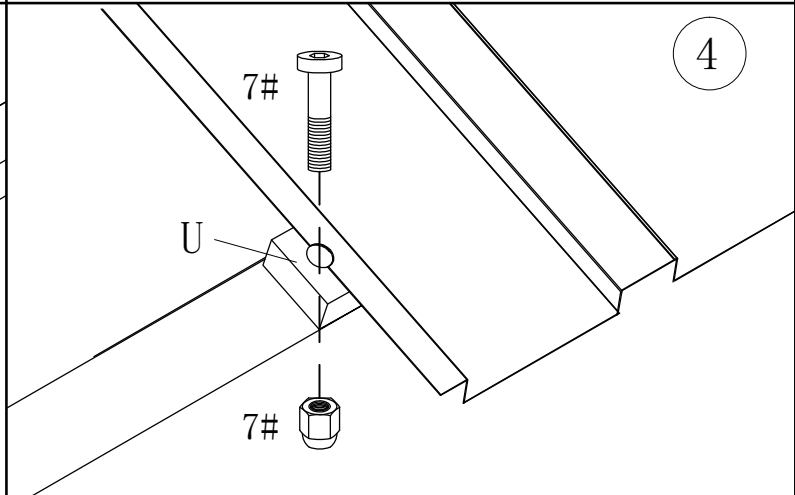
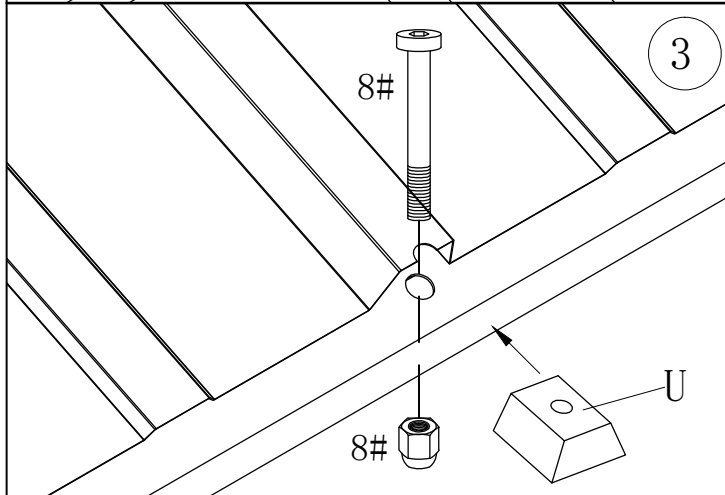
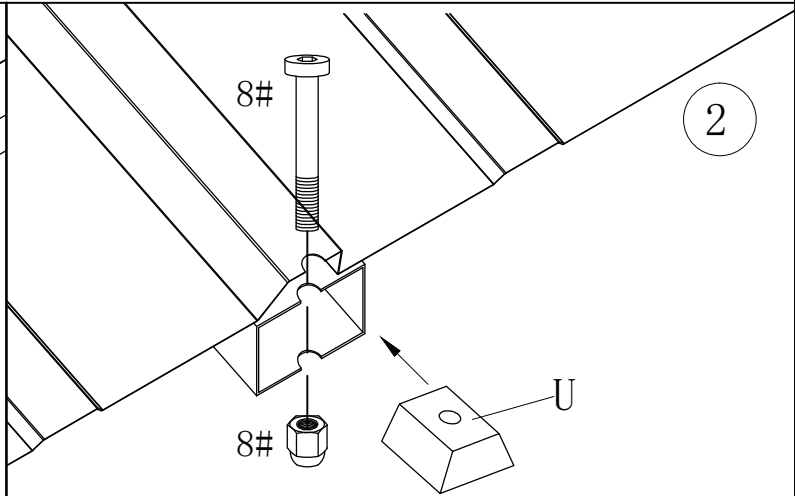
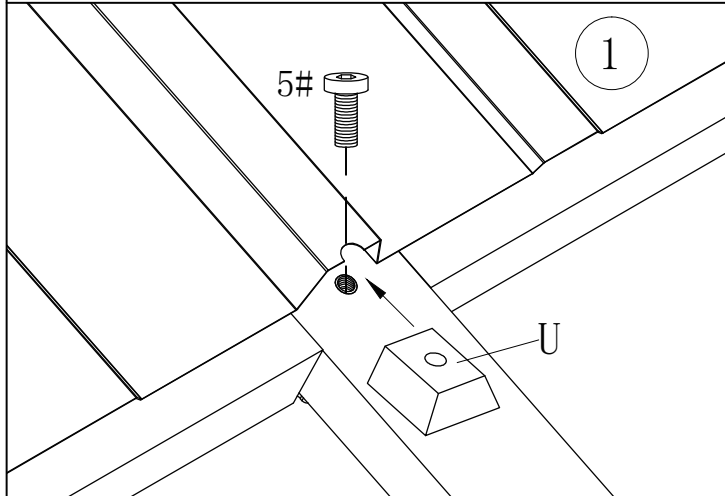
Insert roof panel #X, #X1, #X2 into the frame.

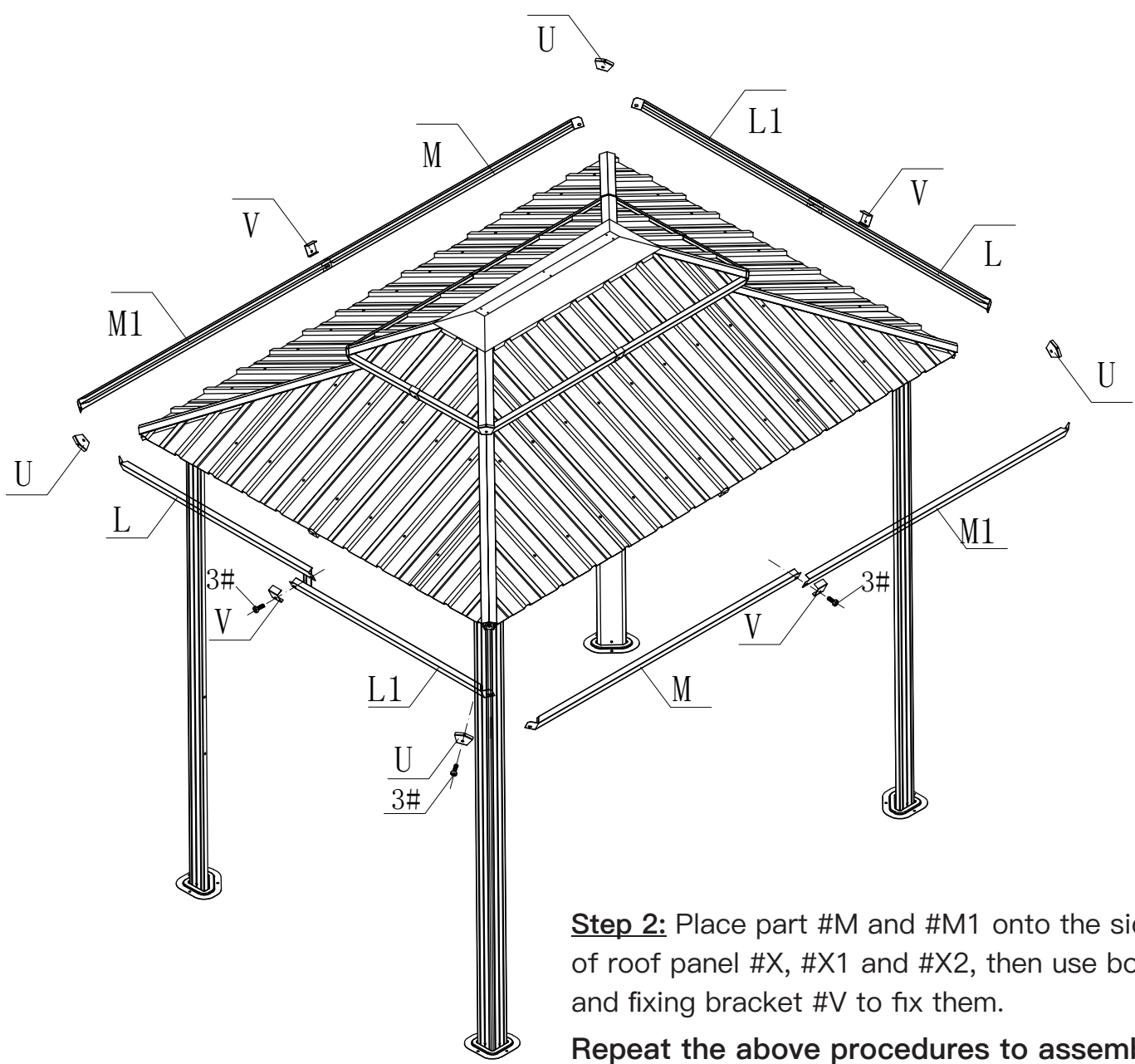
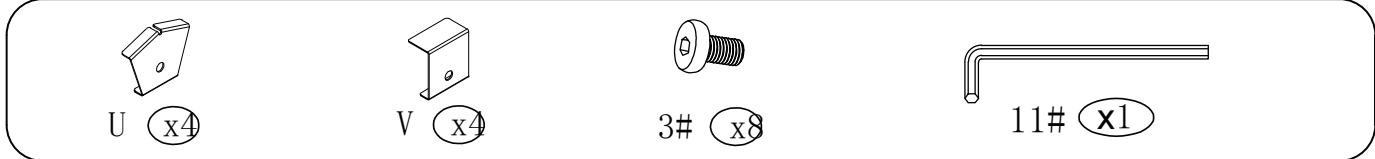
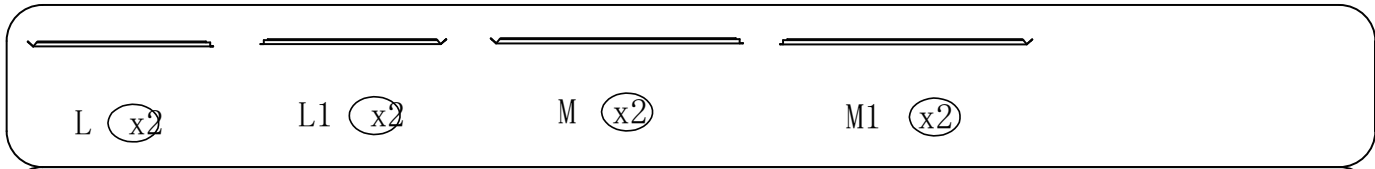
⚠ Please insert the spacer #W and fix with bolts as shown in the next page while install the roof panel.





▲ Please insert the spacer #W and fix with bolts as shown in the next page while install the roof panel.





Step 1: Place part #L and #L1 onto the side of roof panel #Y, #Y1 #Y2, then use bolt #3 and fixing bracket #V to fix them. Repeat the above procedures to assemble the opposite side.

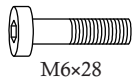
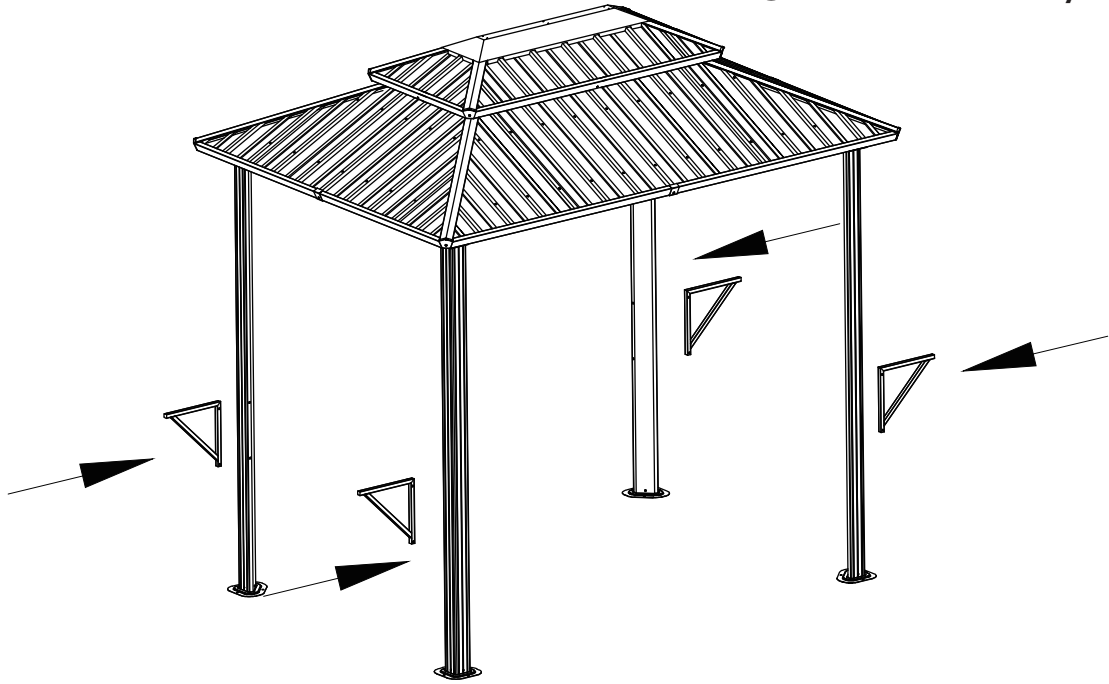
Step 2: Place part #M and #M1 onto the side of roof panel #X, #X1 and #X2, then use bolt #3 and fixing bracket #V to fix them. Repeat the above procedures to assemble the opposite side.

Step 3: Use bolt #3 and fixing bracket #U to fix the finishing bar #L1 & #M, #M1 & #L. Repeat the above procedures to assemble the other 3 corners.



S (x4)

⑤: Table Assembly Instruction

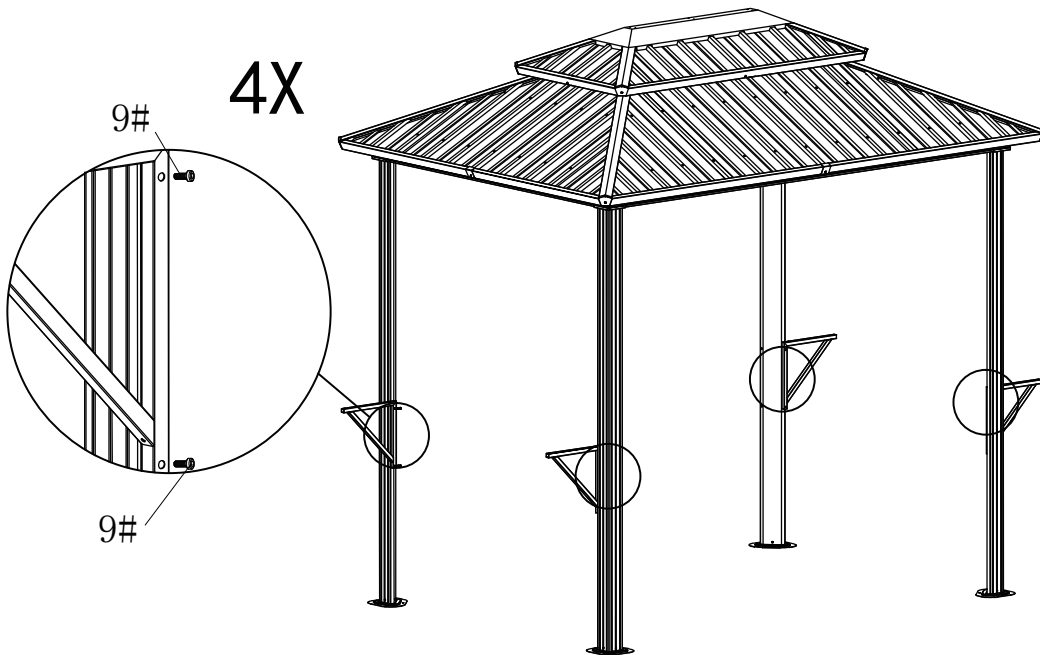


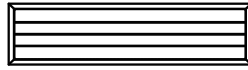
M6x28

9# (x8)

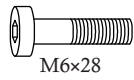
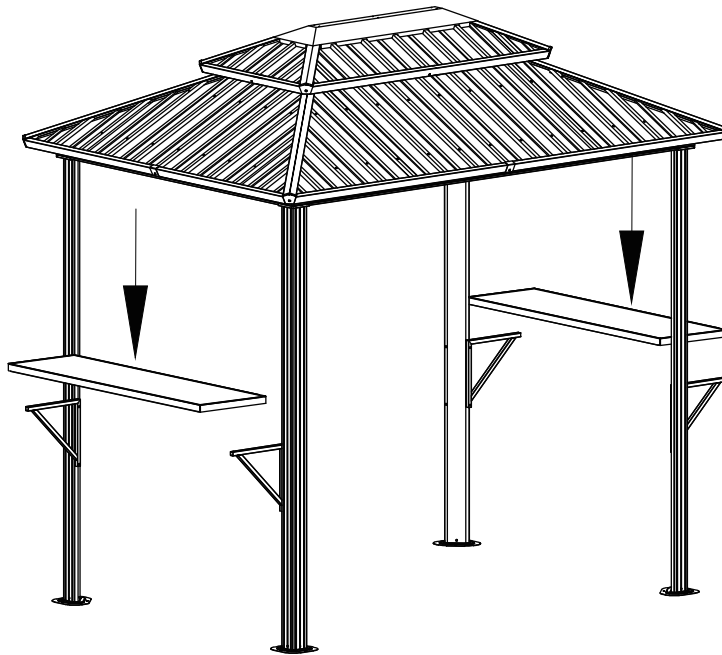


11# (x1)





T (x2)

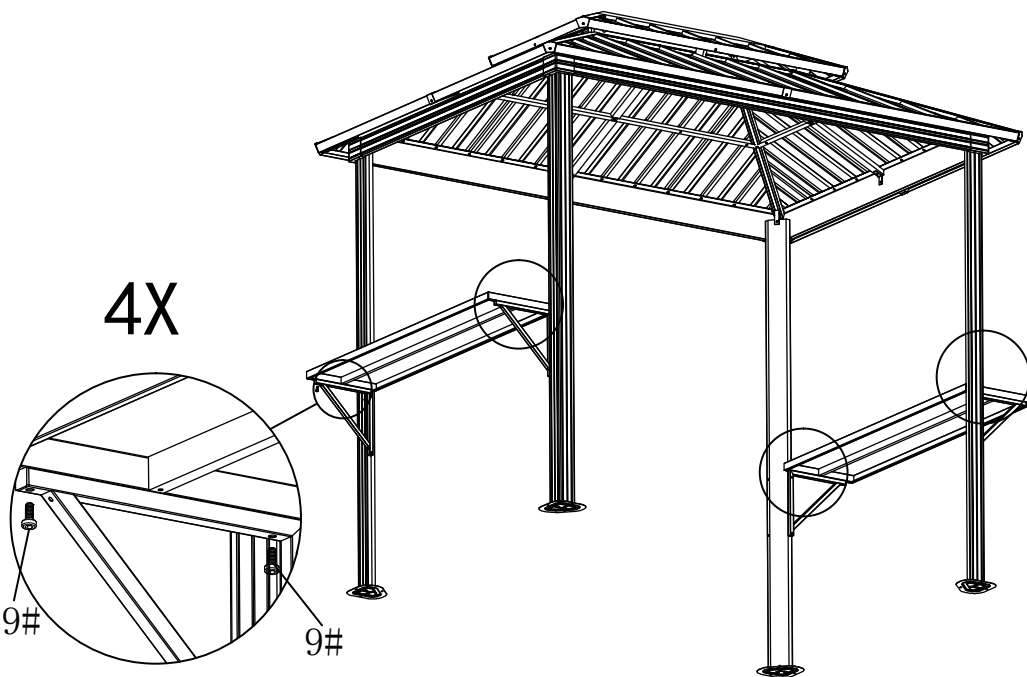


M6x28

9# (x8)

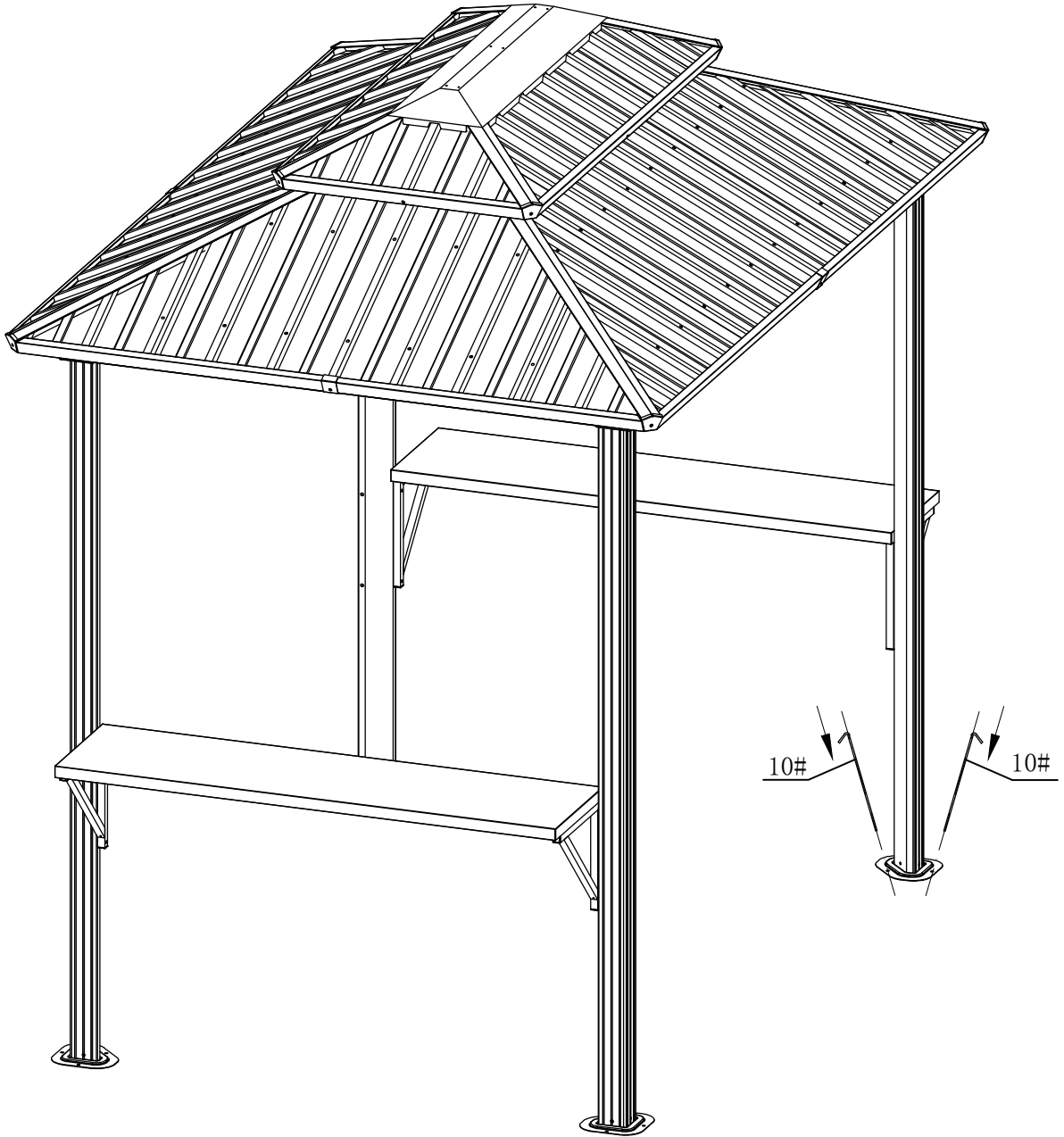


11# (x1)





10# x8



You can secure each base with 2 Post anchor to the soft ground as a temporary use.

⚠ The anchor can not be used as expansion bolts which can stand against the strong wind.