

5.4' × 3.7' Tool Storage Shed

ASSEMBLY MANUAL



MODEL#: LGCF1602

Pre-assembly



1. Two or more people are required for assembly.



2. You will need one or more stepladders.



3. Wearing protective gloves is recommended.



4. You may need a safety hat.



5. Please use a Phillips screw driver.



6. For ease of construction, you may need a drill.



7. You may need a safety goggle.



8. Do not fully tighten screws prior to complete assembly.

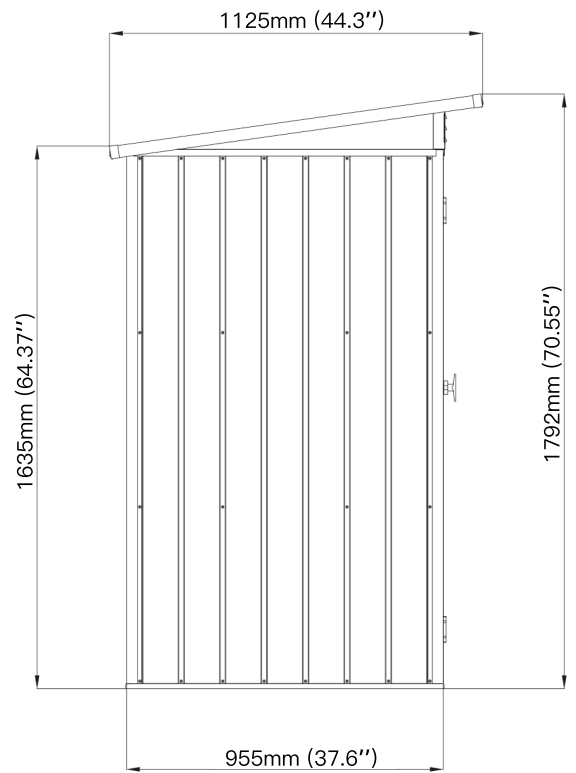
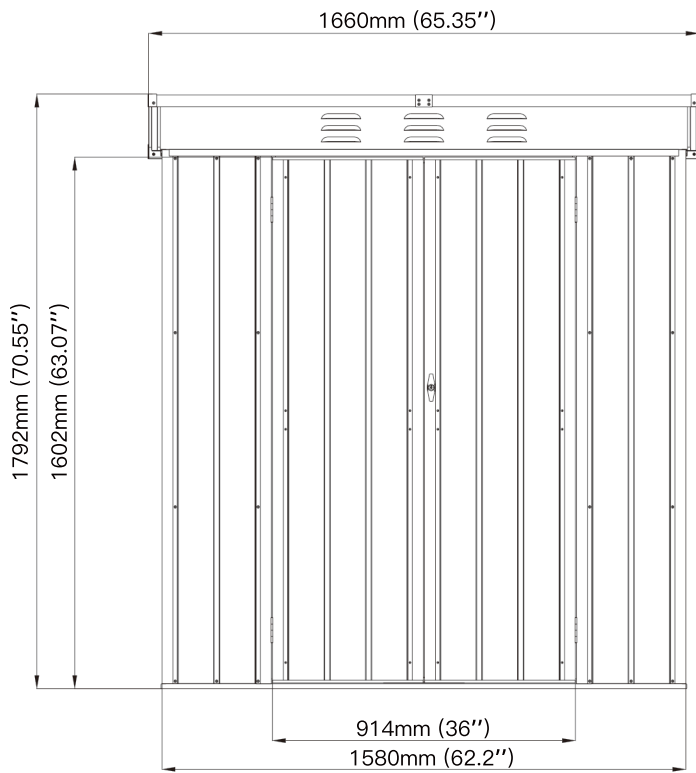
Warning & Attention

-Try to assemble this product on the flat ground, otherwise it is difficult to carry out;

-It would be much easier to assemble the product with three or more people;

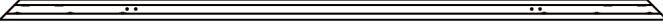





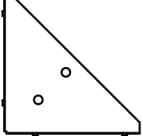
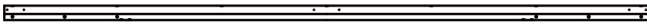
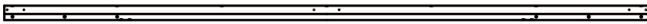

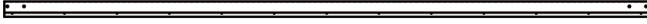




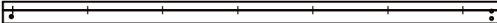
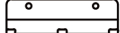

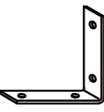

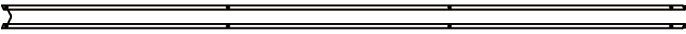
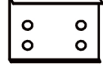


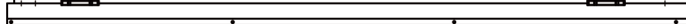

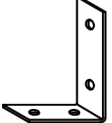
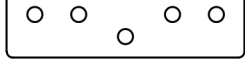
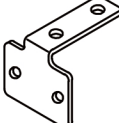
-After assembly, please check whether all screws are tightened, to prevent parts from falling apart.

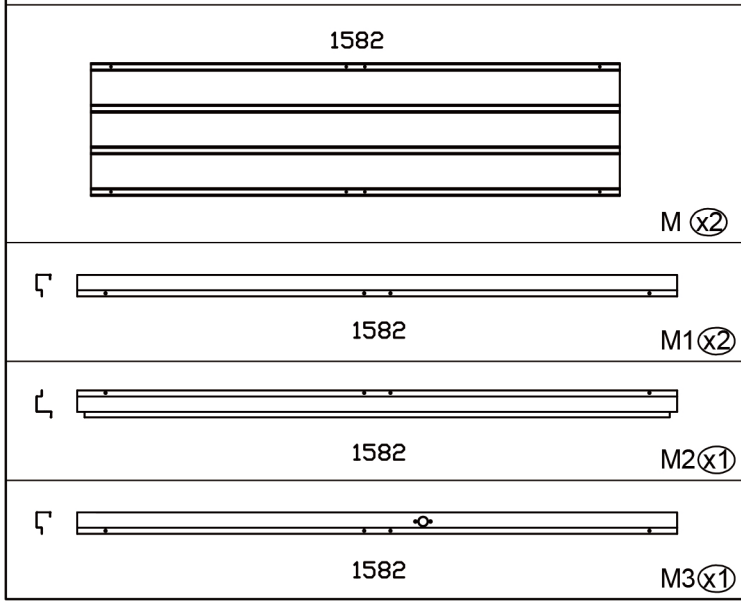
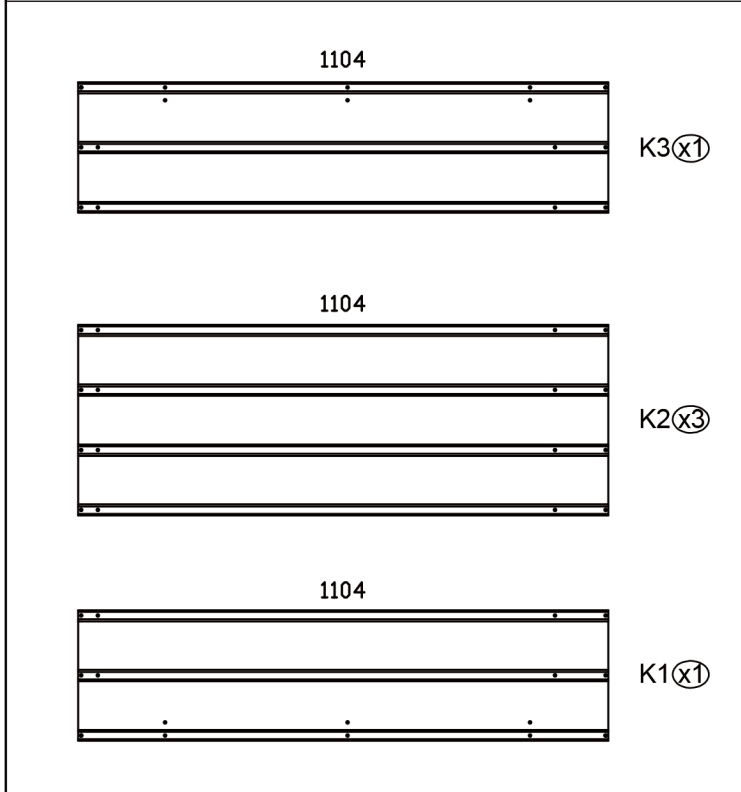
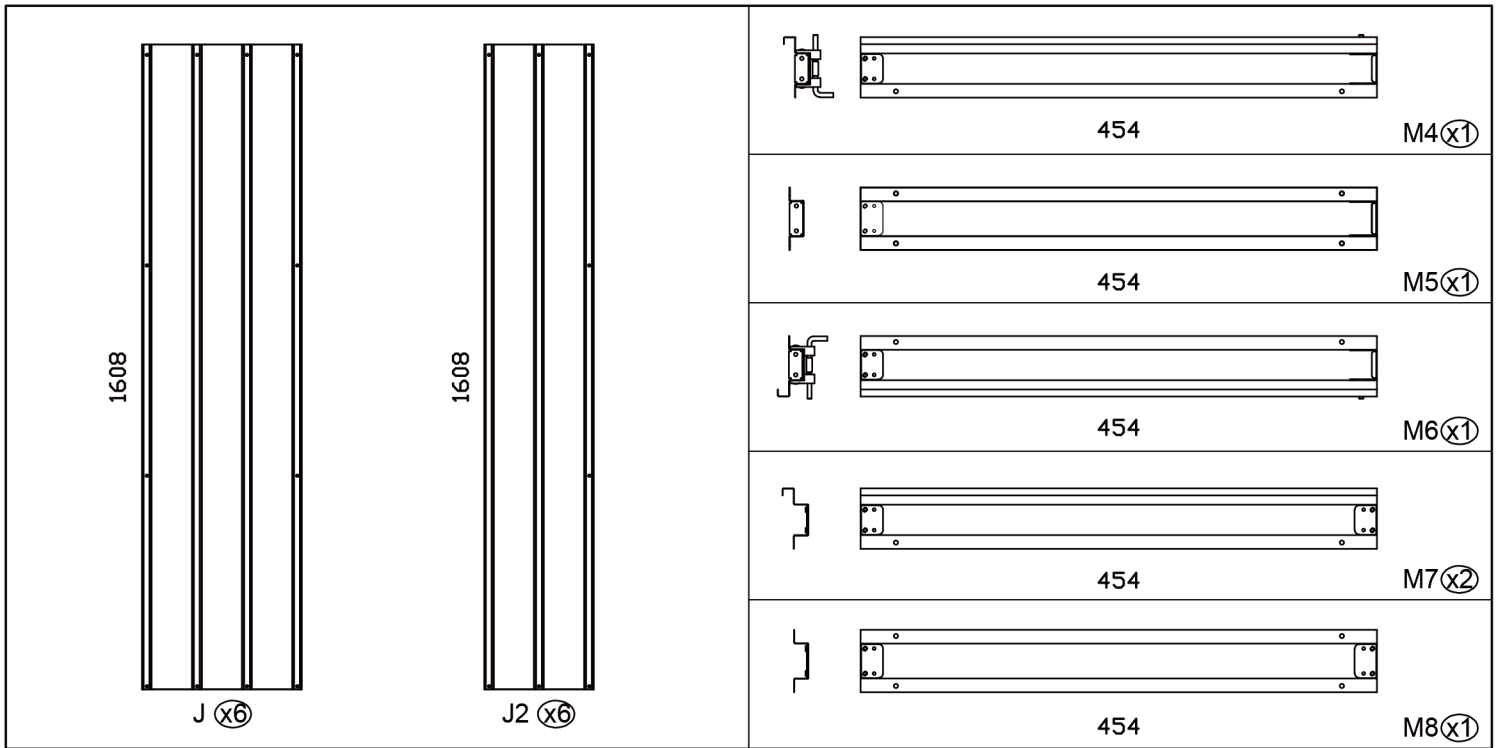
▲ Use bolts to secure the frame to the ground to against the strong wind.







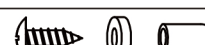





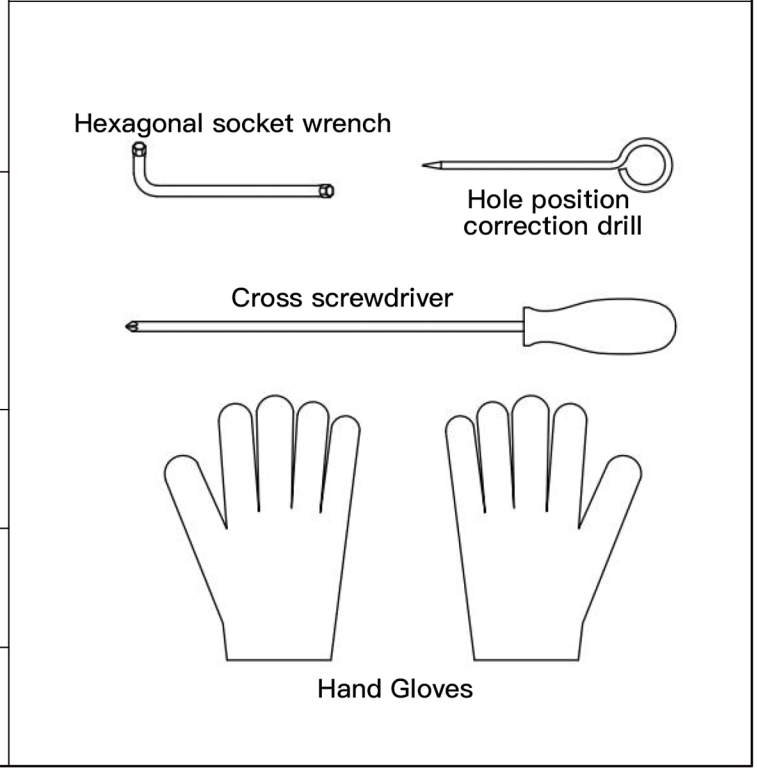
1602-00

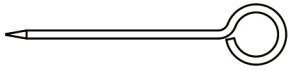
The manual will assist you during the whole process of assembling.
 Make sure you have all the parts & hardware as list 1 and list 2 shown;
 Prepare the level ground for installation.

	1582	A1(x1)		928,5	D1(x1)
	1582	A2(x1)		928,5	D2(x1)
	957	A3(x2)		1590	E(x1)
		A(x4)		1537	B1(x1)
	1537	B1(x1)		1104	G1(x1)
	1537	B2(x1)		1104	G2(x1)
	912	B3(x2)		829	G3(x2)
	B4(x1)			829	G4(x2)
	B8(x1)			G5(x2)	
	B(x4)			G6(x2)	
	1608,5	C(x4)		G7(x2)	
	1609	C1(x1)		1524	H(x2)
	1609	C2(x1)		899	H1(x4)
	C3(x2)				Y(x4)
	C4(x2)				

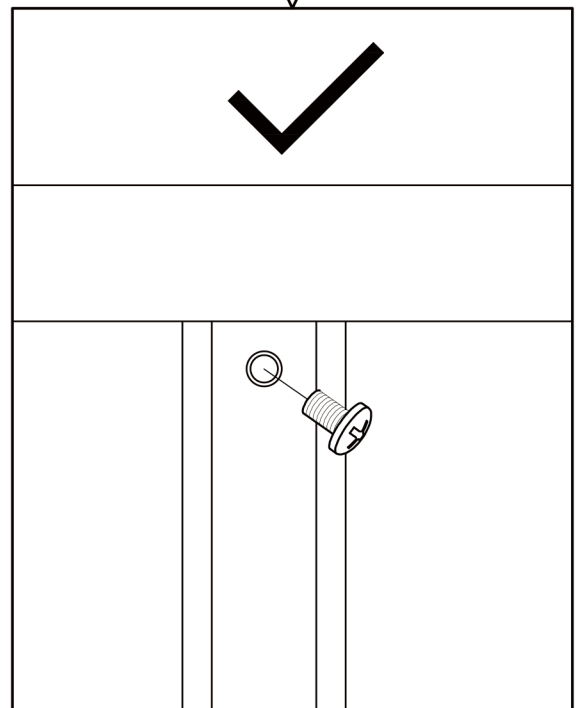
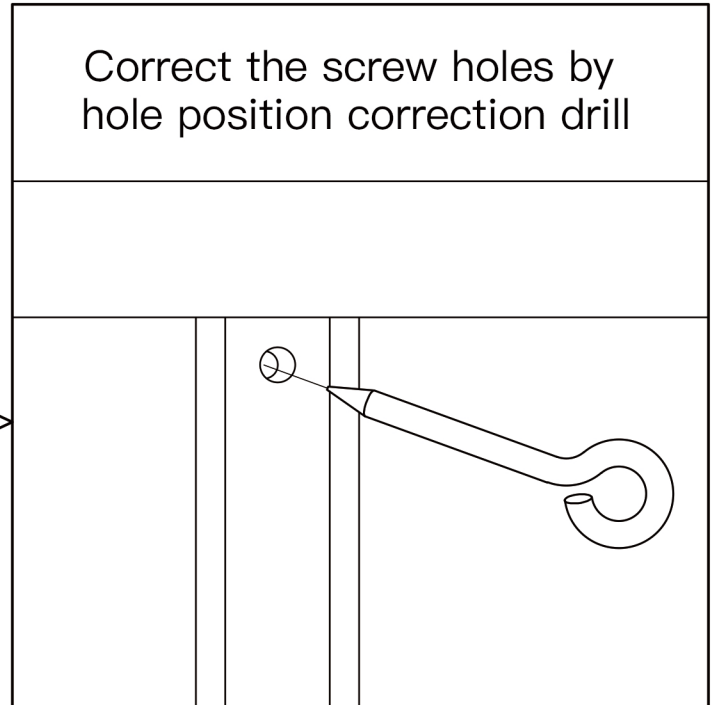
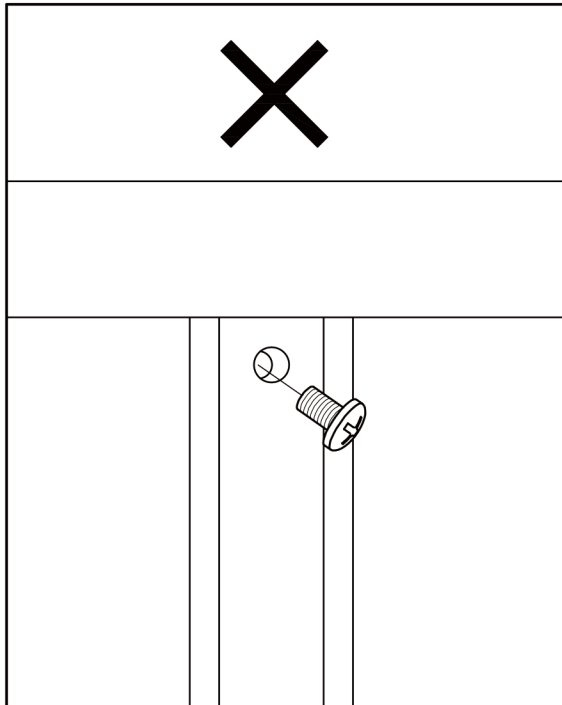


	M9 (x1)		M10 (x1)
	4x10	1#	(x115)
	M4x6	2#	(x80)
	M4x8	3#	(x16)
	M4x8	8#	(x8)
	4x12	9#	(x34)
	Flat head screw M4x8	10#	(x24)
	4x16	12#	(x18)
	M4x8	15#	(x4)

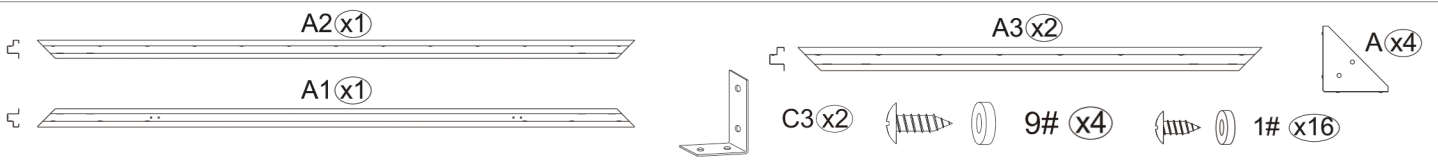




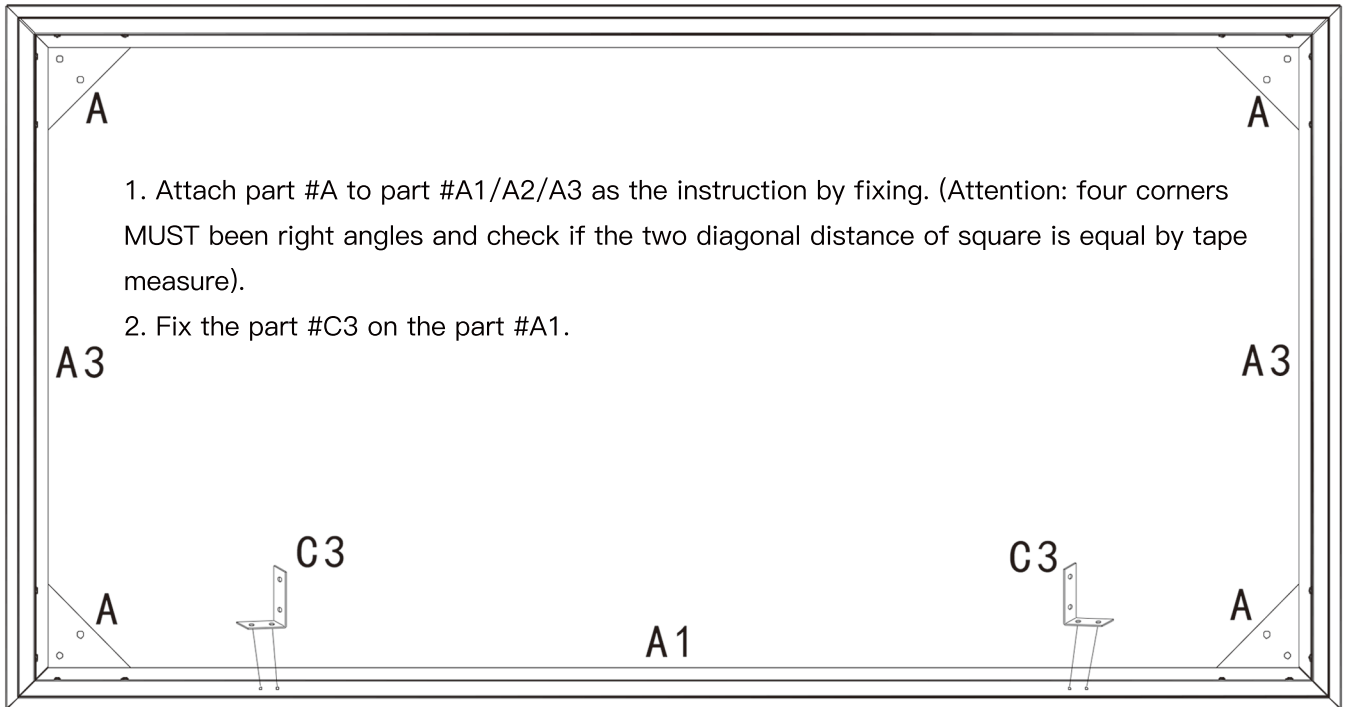
Hole position correction drill



If the screw holes are not symmetrical, you can use this tool to correct the hole position.

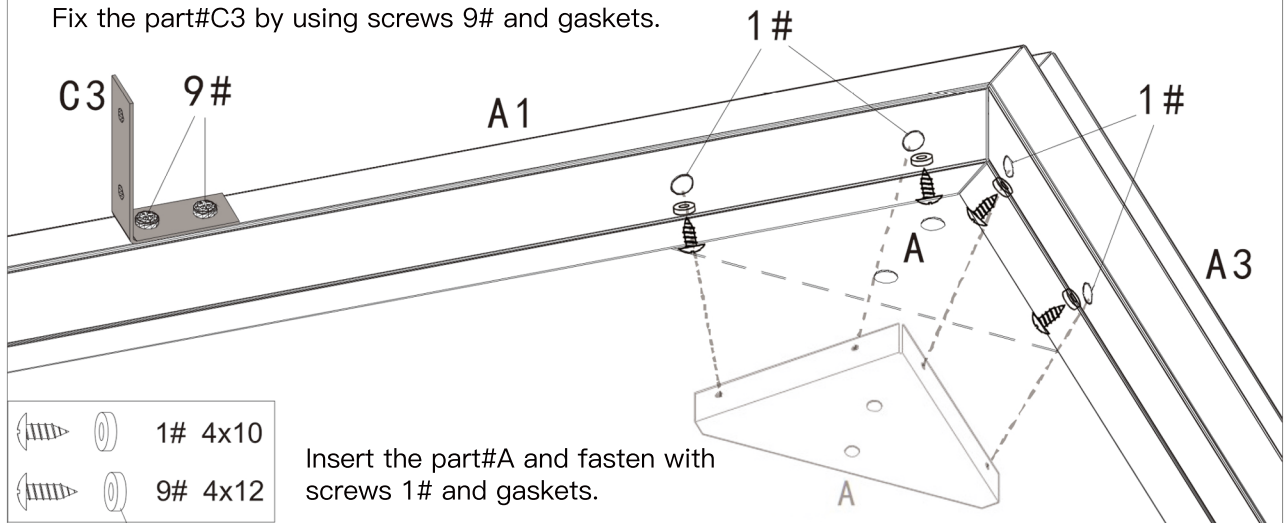


A2



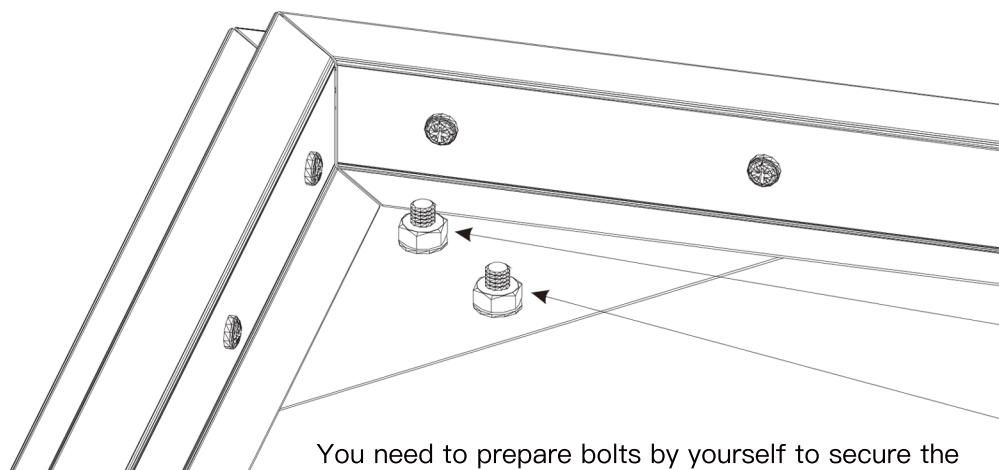
1. Attach part #A to part #A1/A2/A3 as the instruction by fixing. (Attention: four corners MUST be right angles and check if the two diagonal distance of square is equal by tape measure).
2. Fix the part #C3 on the part #A1.

Fix the part#C3 by using screws 9# and gaskets.



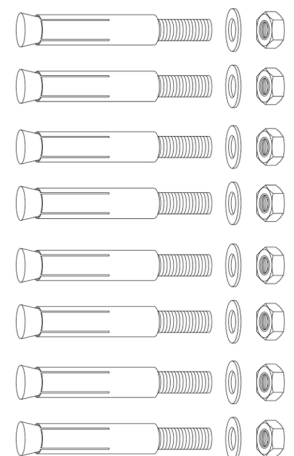
Insert the part#A and fasten with screws 1# and gaskets.

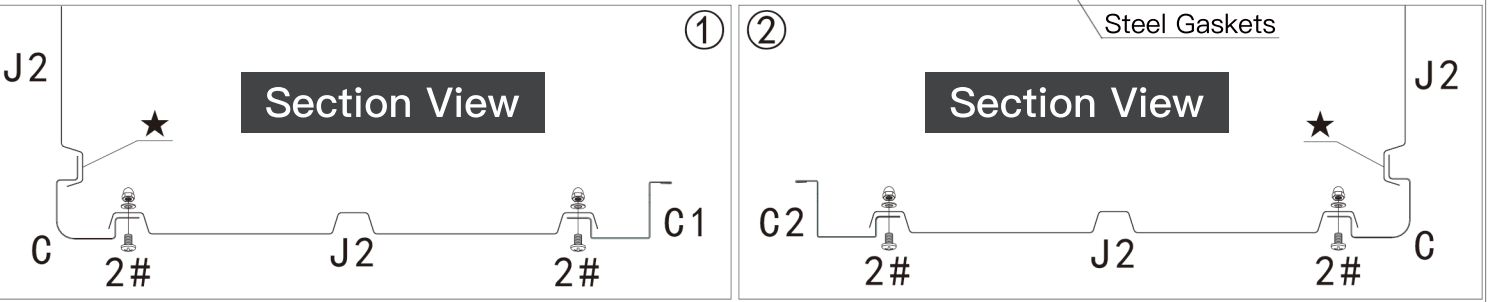
Plastic Gasket



You need to prepare bolts by yourself to secure the frame to the ground.

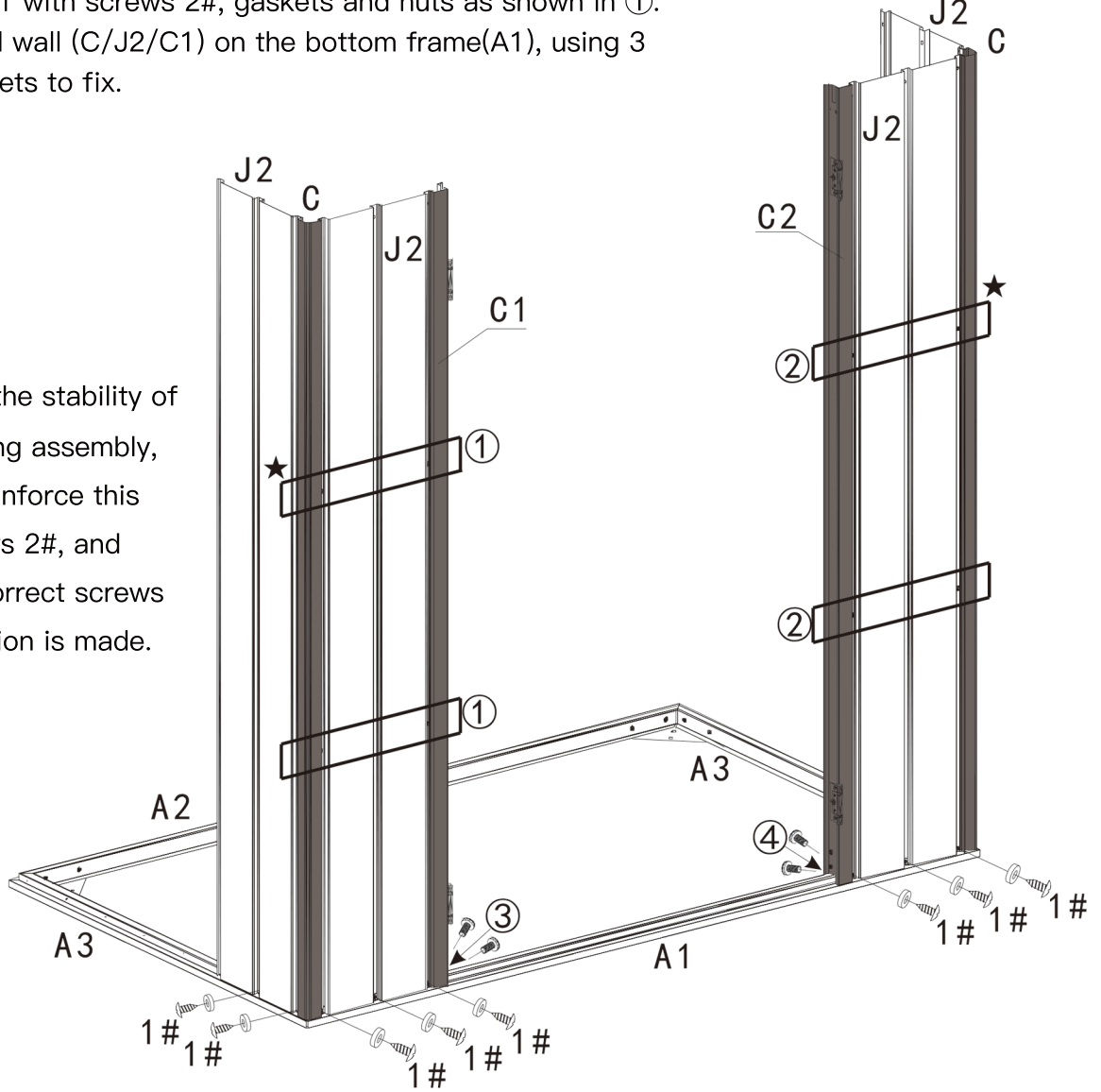
M6-8pcs





1. Install part #C/J2/C1 with screws 2#, gaskets and nuts as shown in ①.
2. Place the assembled wall (C/J2/C1) on the bottom frame(A1), using 3 screws 1# and gaskets to fix.

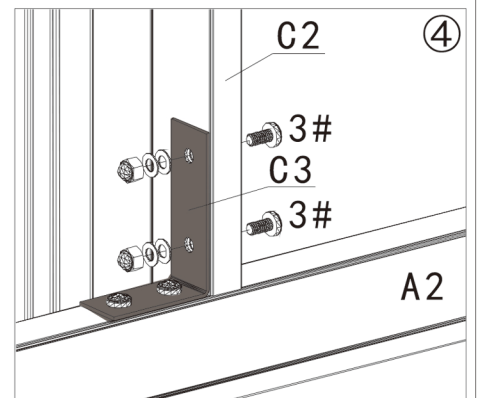
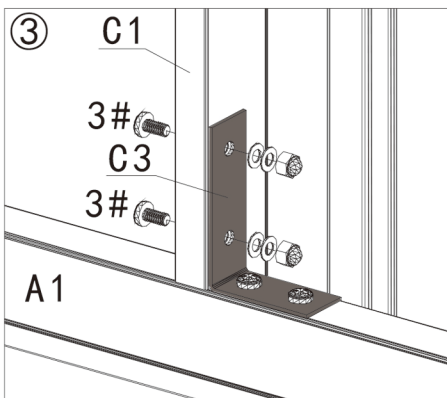
Attention: To ensure the stability of the wall panel(J2) during assembly, you can temporarily reinforce this position(☆) with screws 2#, and replace it with other correct screws when the next installation is made.

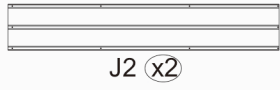
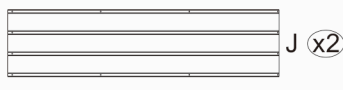


3. Place part#J2 on the bottom frame(A3), using 2 screws 1# and gaskets to fix.

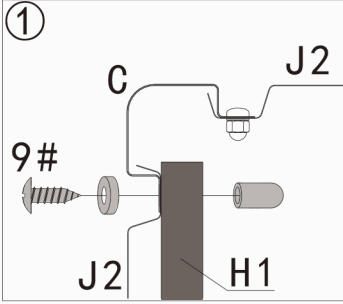
Repeat the above procedures to assemble the another side.

4. Fix the part #C3 to the part #C1(C2) with 4 screws 3#, 8 gaskets and 4 nuts, (the gaskets and nuts are on the back side as shown in ③④).

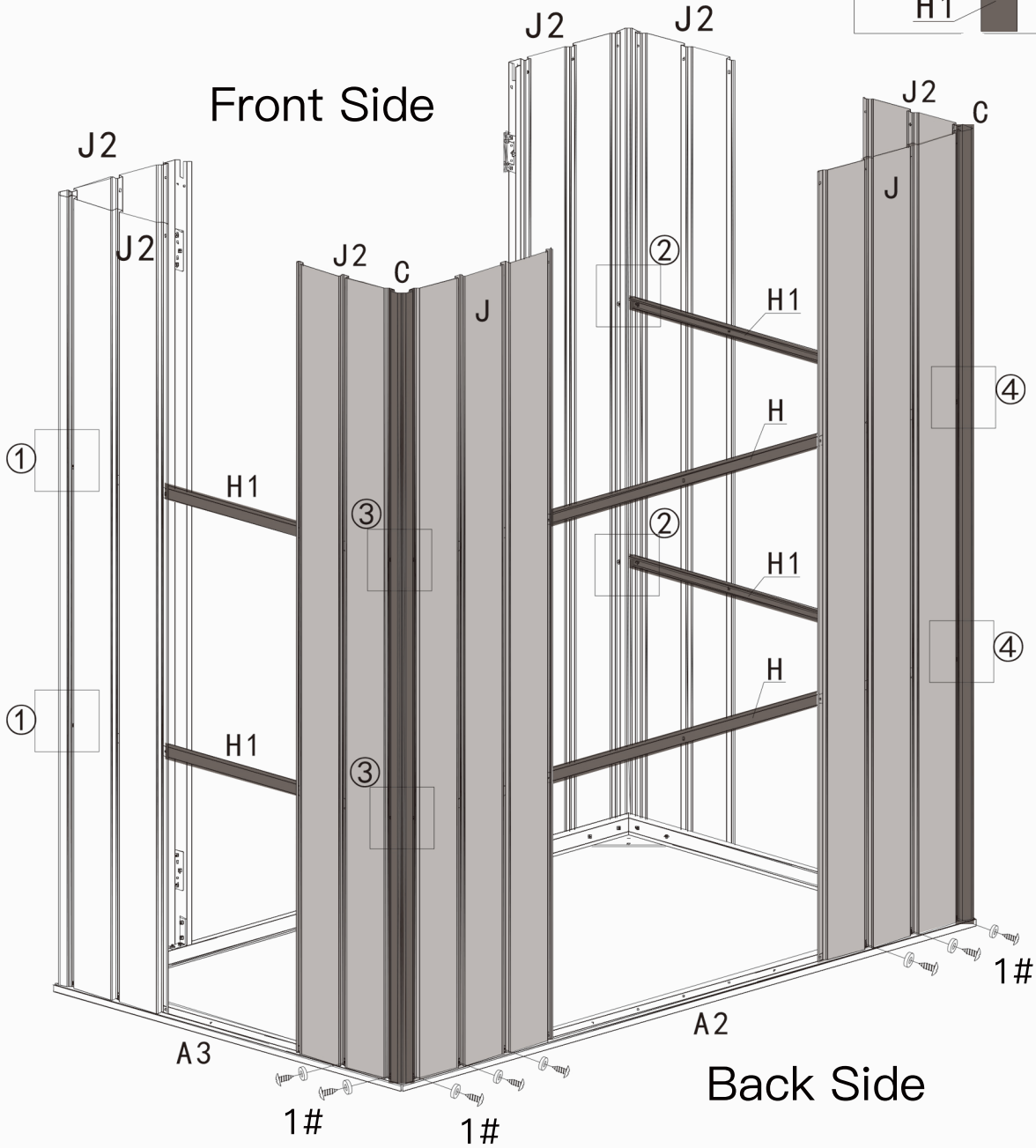
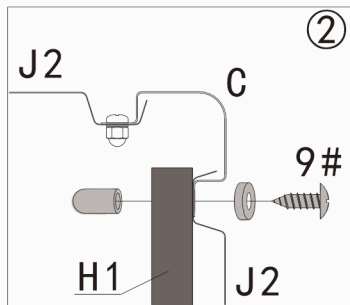




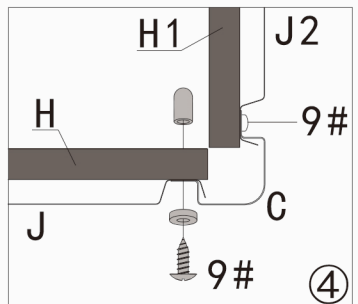
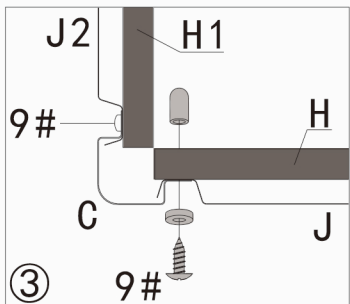
Plastic Gasket
 1# x10
 9# x12
 Plastic Gasket

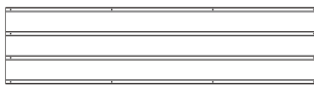


1. Place part #J/C/J2 on the bottom frame(A2/A3), using 5 screws 1# and gaskets to fix.
 2. Install 2 part #H1 with 4 screws 9# and gaskets, then put on the plastic caps as shown in ① ③/② ④.
 Repeat the above procedures to assemble the another side.



3. Install 2 part #H with 4 screws 9# and gaskets, then put on the plastic caps as shown in ③④.





J (x4)

Plastic Gasket

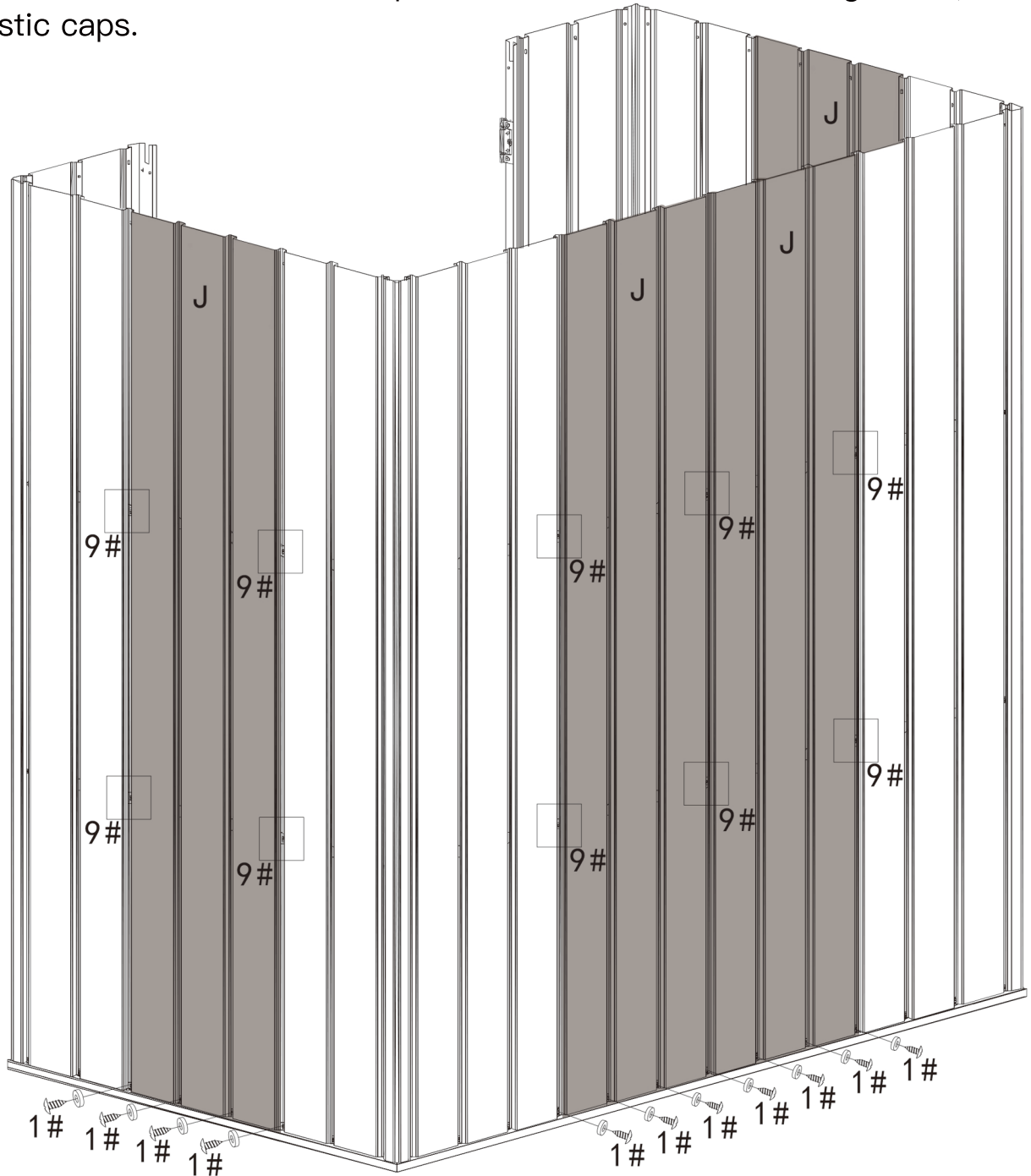
1# (x15)

Plastic Gasket

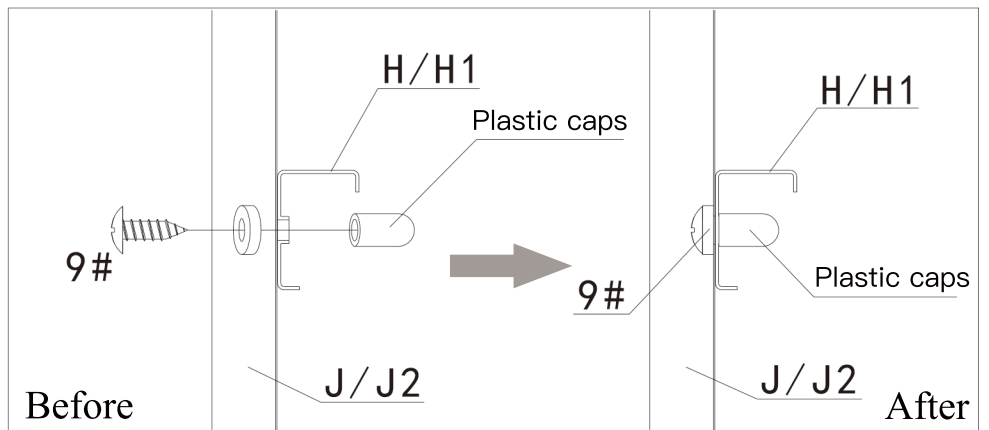
9# (x14)

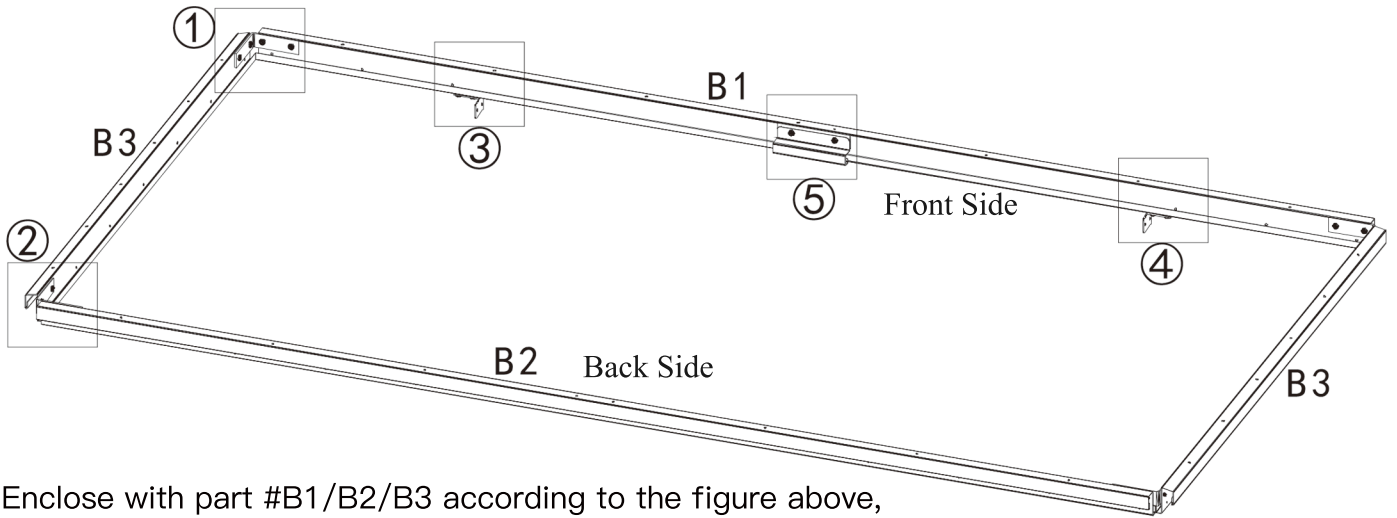
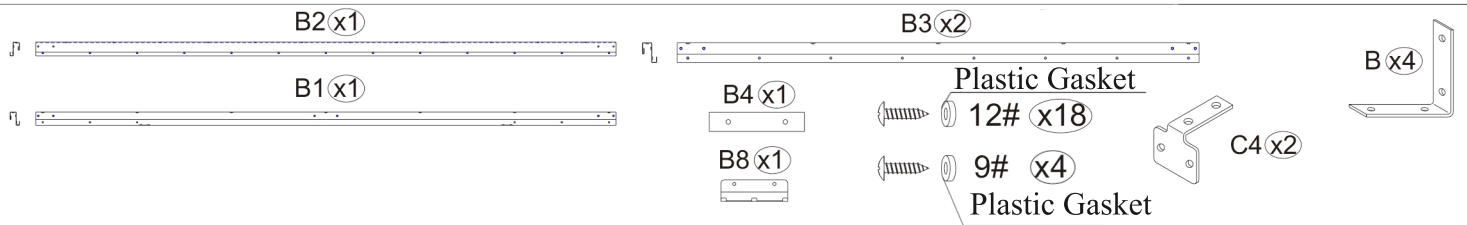
1. Install 2 part #J (Back Wall Panel): Use 7 screws 1# and gaskets to fix them on the bottom frame.

2. Fix 2 part #J (Back Wall Panel) to part #H with 6 screws 9# and gaskets, then put on the plastic caps.



Repeat the above procedures to assemble 2 part #J on Side Wall.



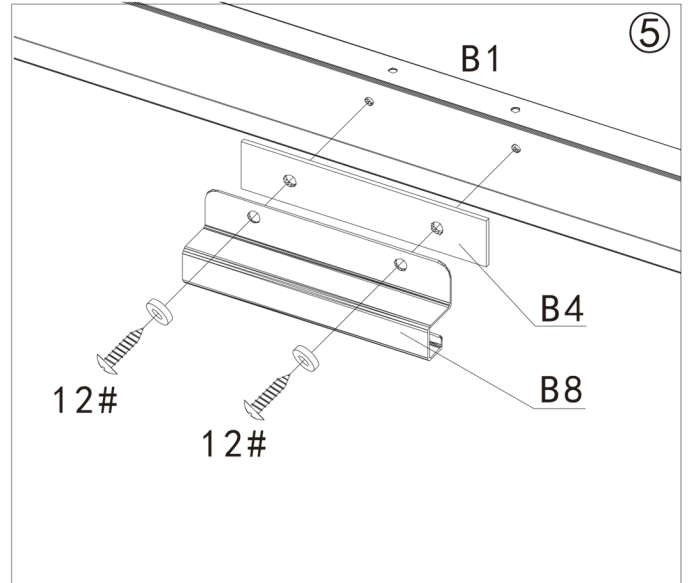
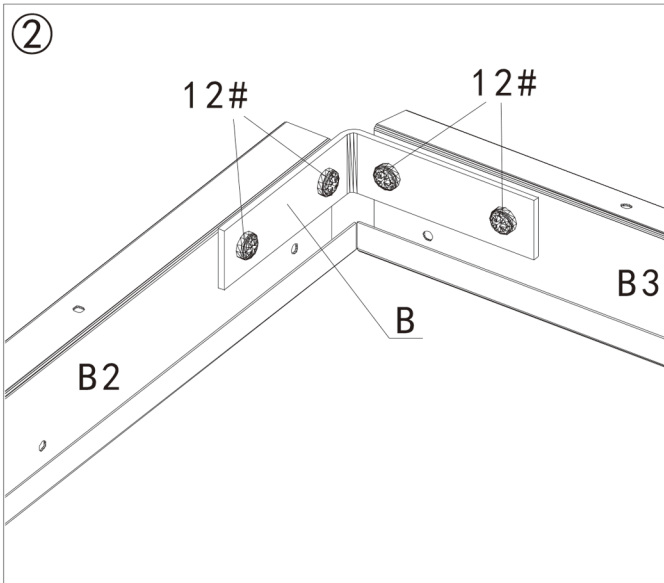
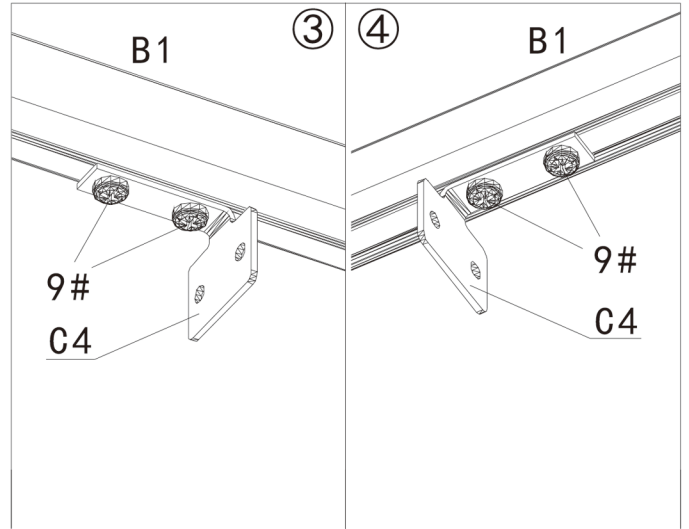
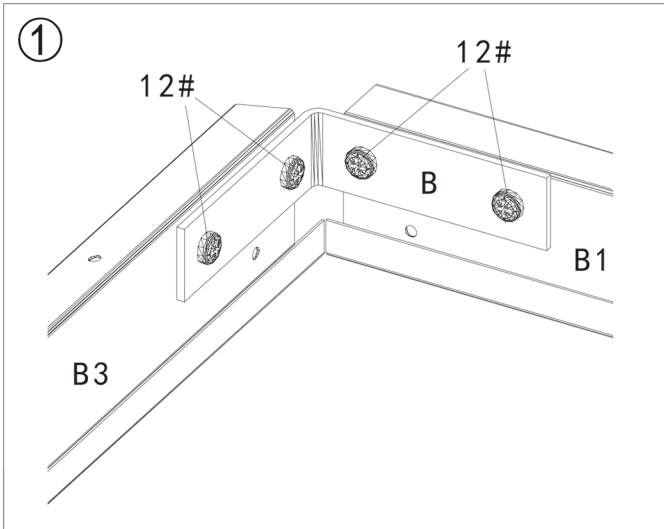


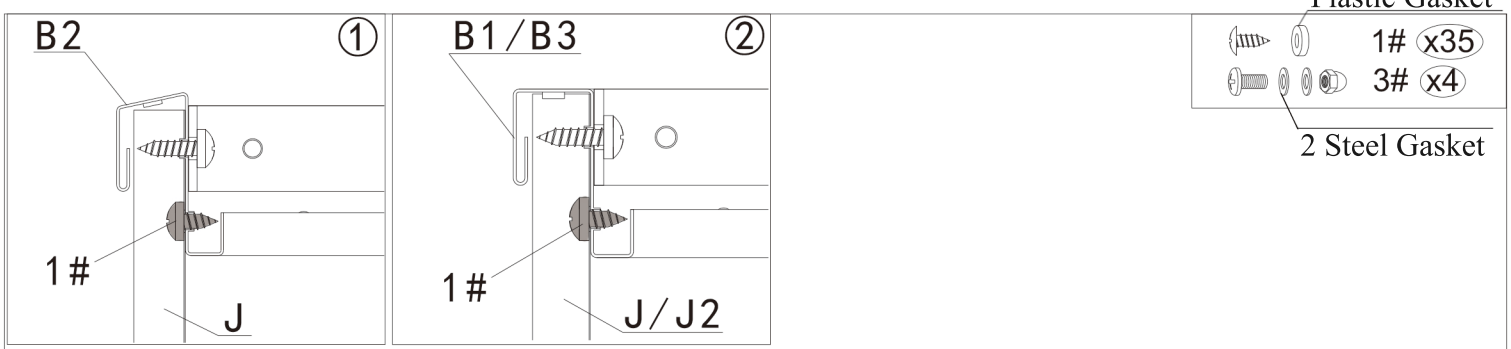
1. Enclose with part #B1/B2/B3 according to the figure above, and the part #B connects the four corners, then fixed with 16 screws 12# and gaskets as shown in ① ②.

2. Use 4 screws 9# and gaskets to fix 2 part #C4 on part #B1 as shown in ③ ④.

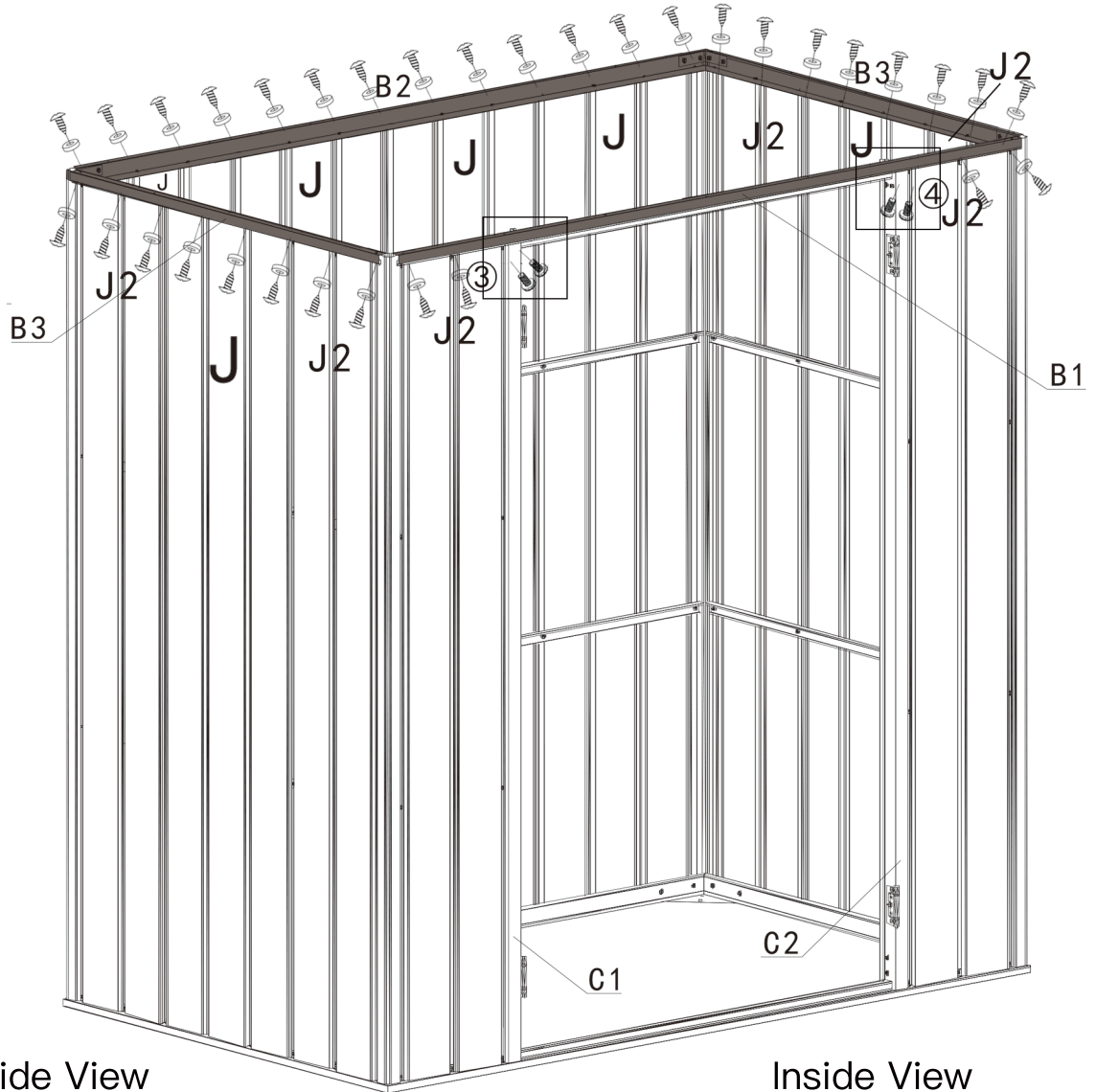
3. Fix the part #B4 & B8 on the inside of part #B1 with 2 screws 12# and gasket as shown in ⑤.

! You can also install the top frame on each wall separately.



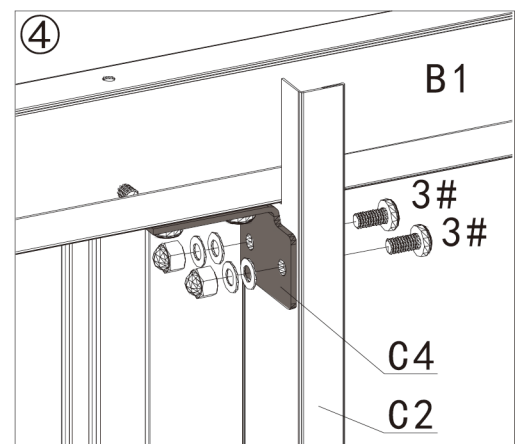
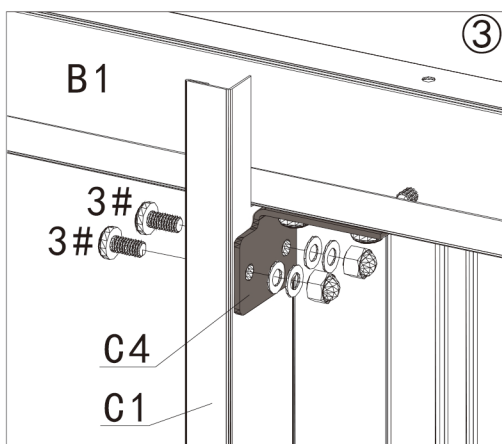


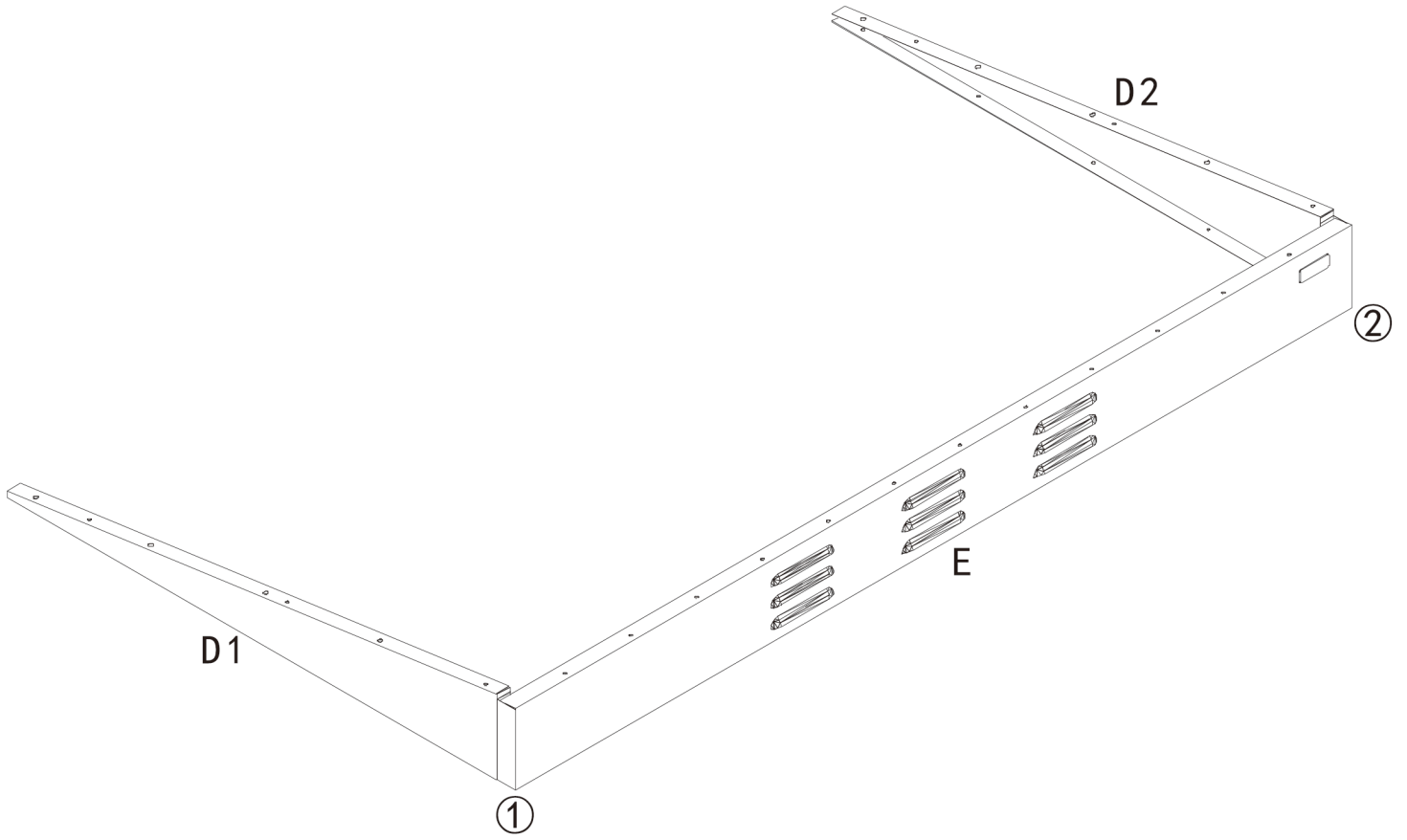
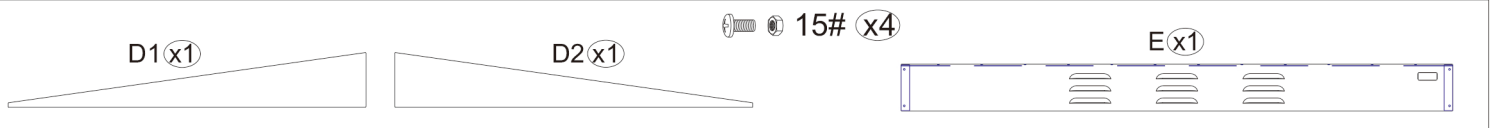
1. Place the assembled beam (B1, B2, B3) on the upper end of the wall panel, and fix with 35 screws 1# and gaskets as shown in ①②.
2. Fix the part #C4 to the upper end of part #C1(C2) with 4 screws 3#, 8 gaskets and 4 nuts, (the gaskets and nuts are on the back side as shown in ③④).



Inside View

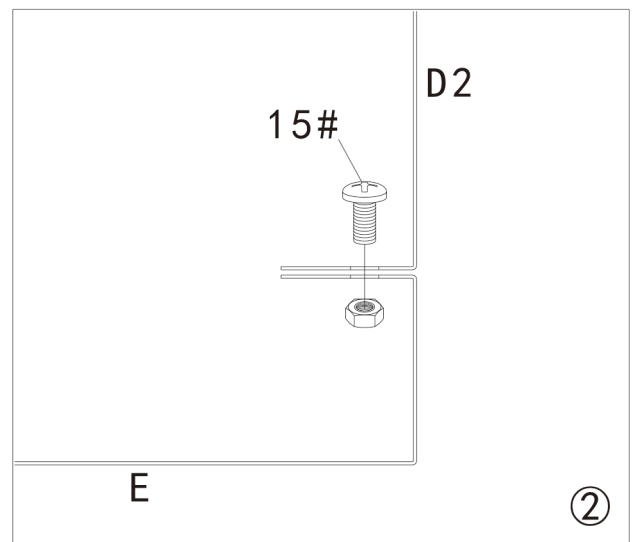
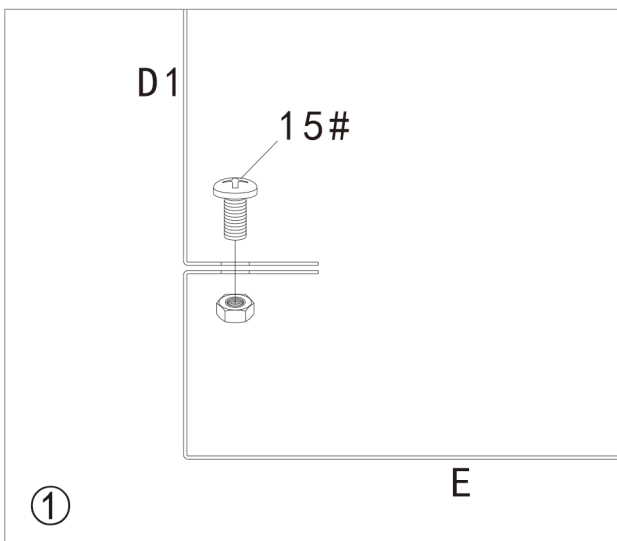
Inside View



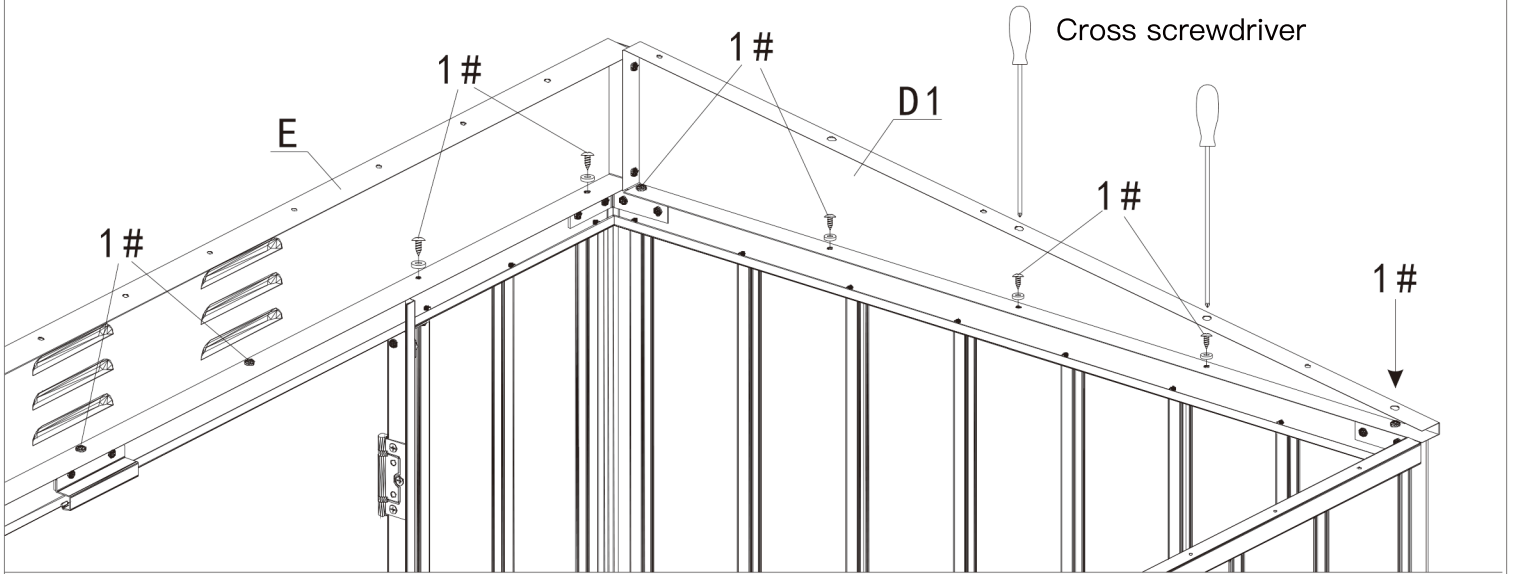
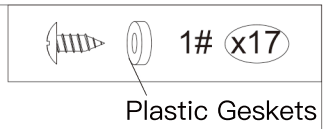


Assemble the top frame:

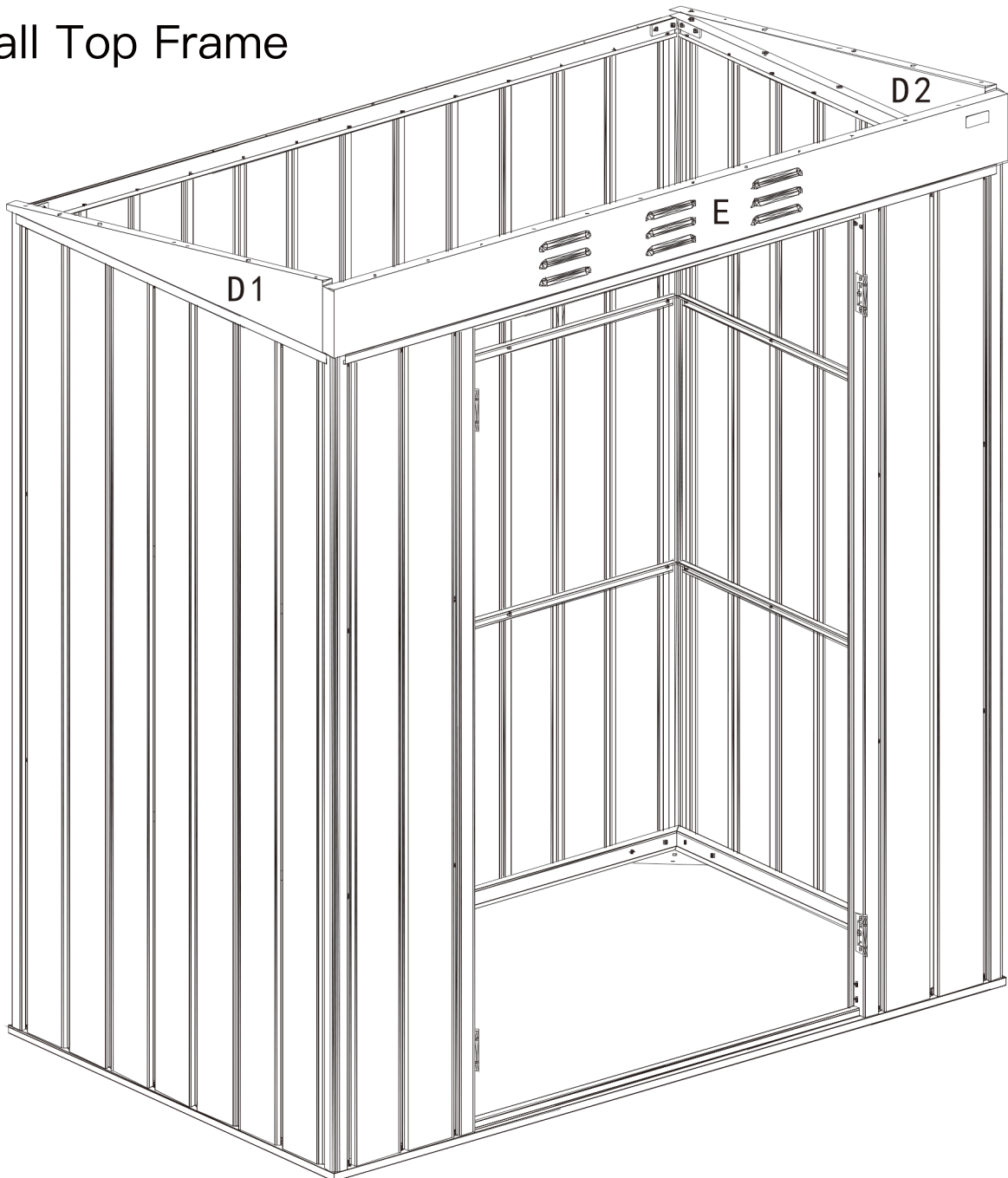
Use 2 screws 15# and nuts to combine Part E with Part D1 as shown in ①.
 Use 2 screws 15# and nuts to combine Part E with Part D2 as shown in ②.

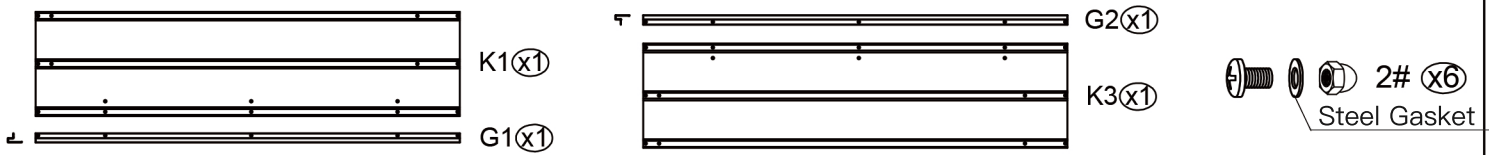


Put the top frame on beam(B3/B1/B3), fix it with 17 screws1# and gaskets.

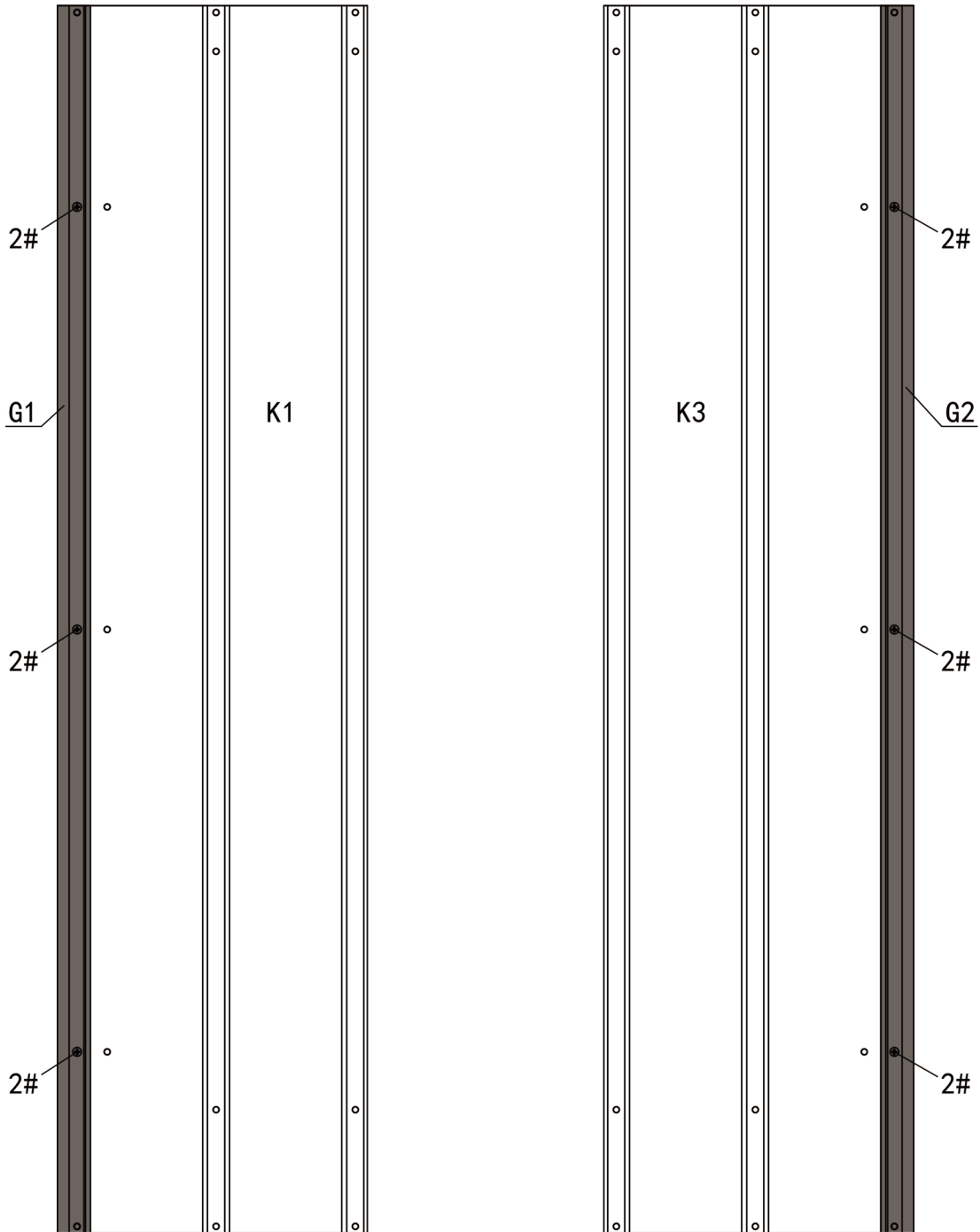


Install Top Frame

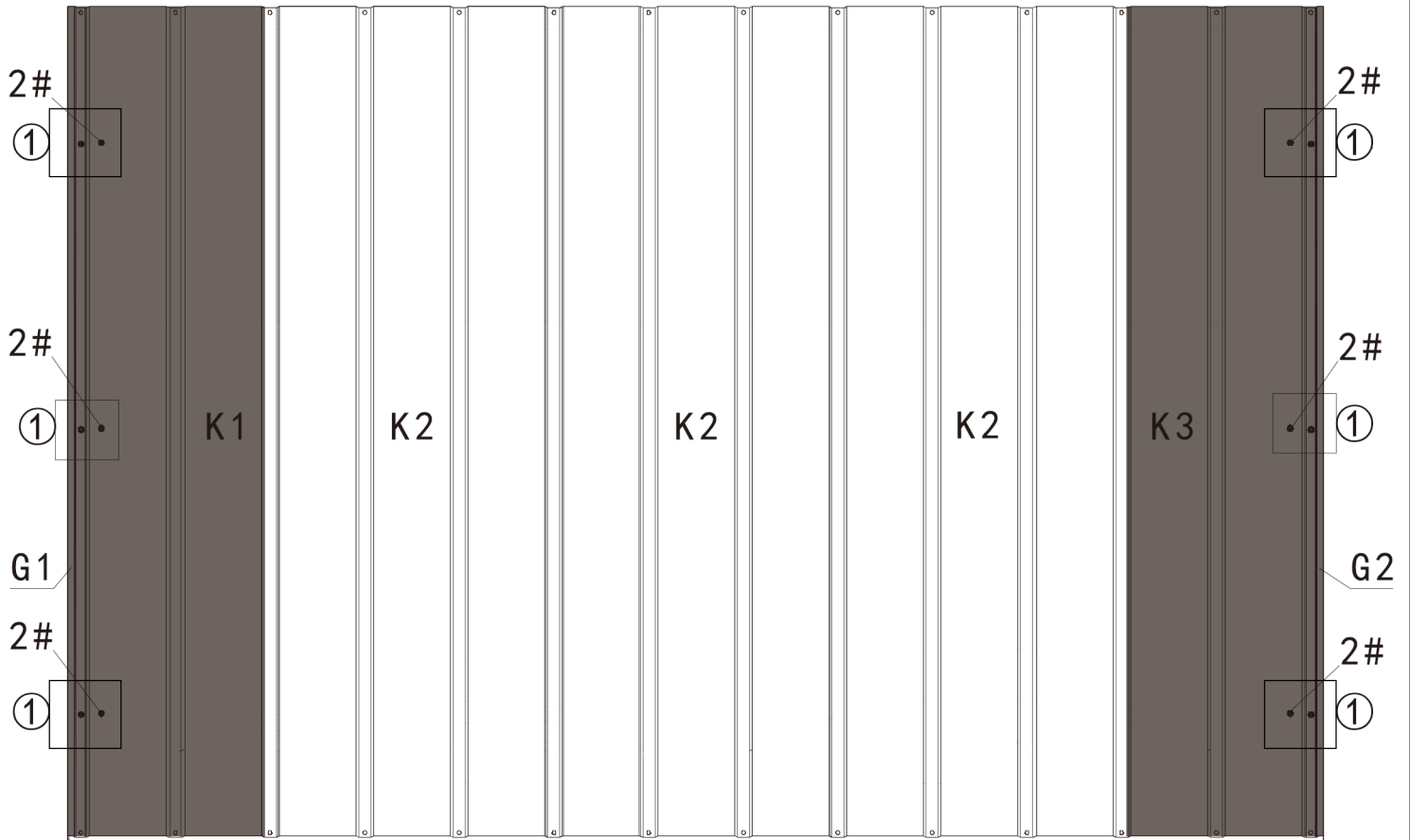
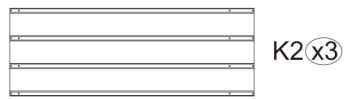




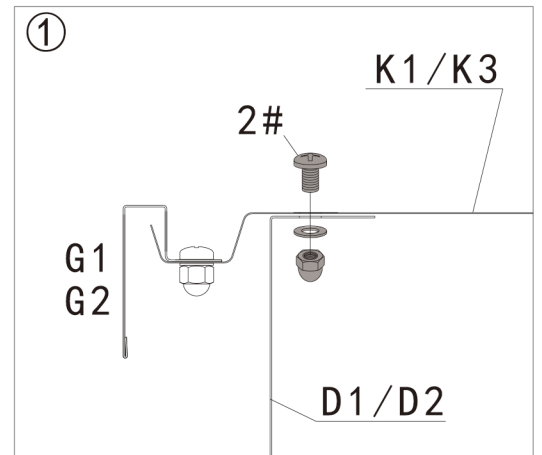
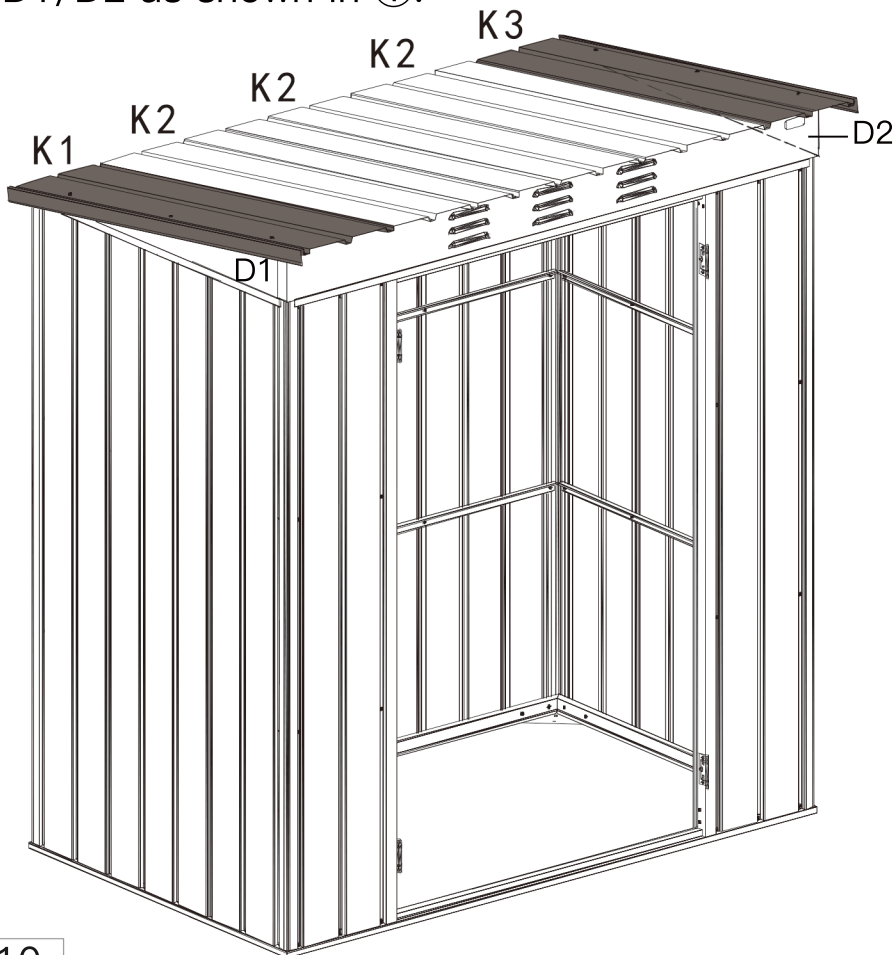
The section view of how to place part #G1/G2 on part #K1/K3.

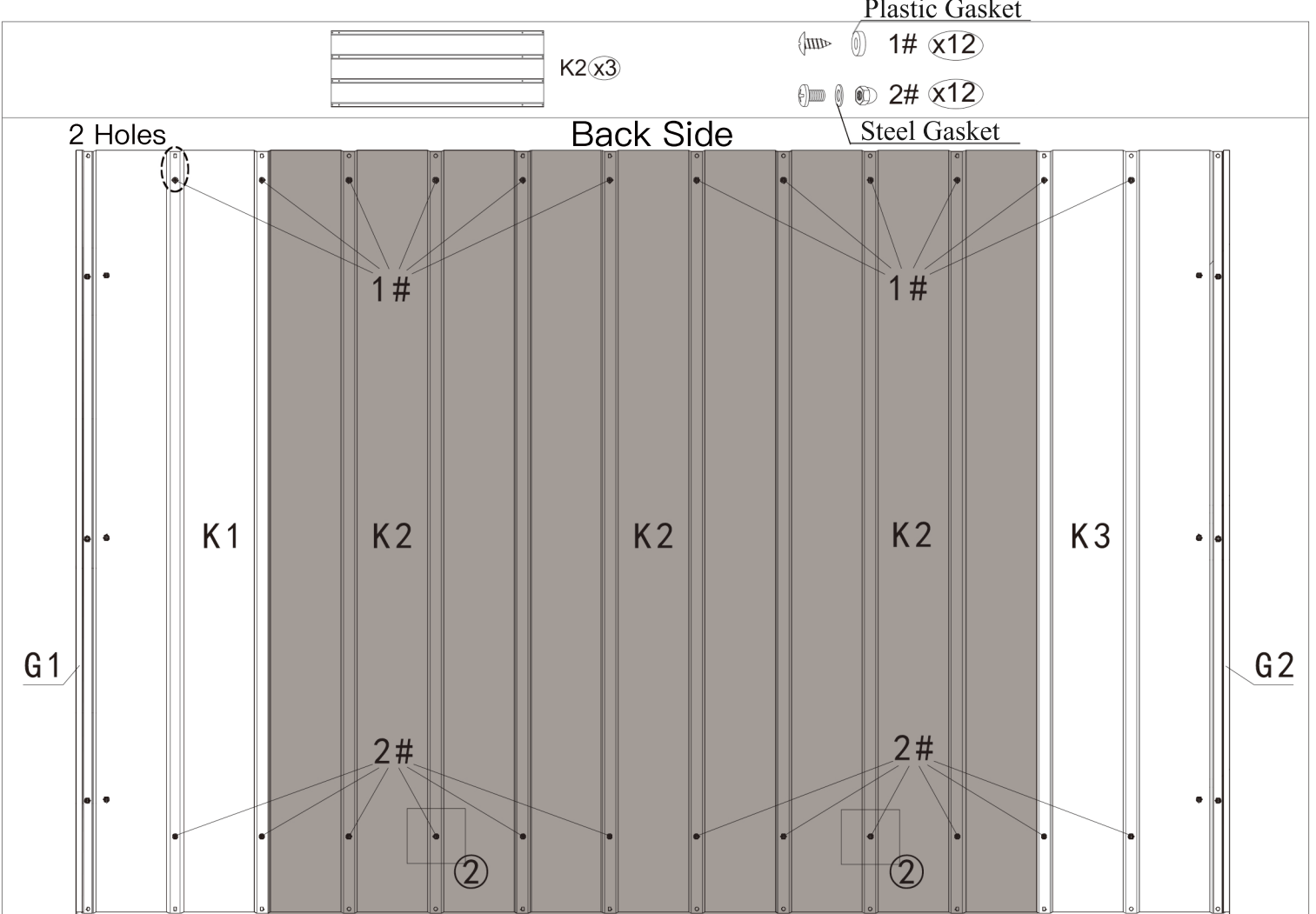


Assemble the part #G1 to the one side of part #K1 with 3 screws 2#, gaskets and nuts.
 Assemble the part #G2 to the one side of part #K3 with 3 screws 2#, gaskets and nuts.

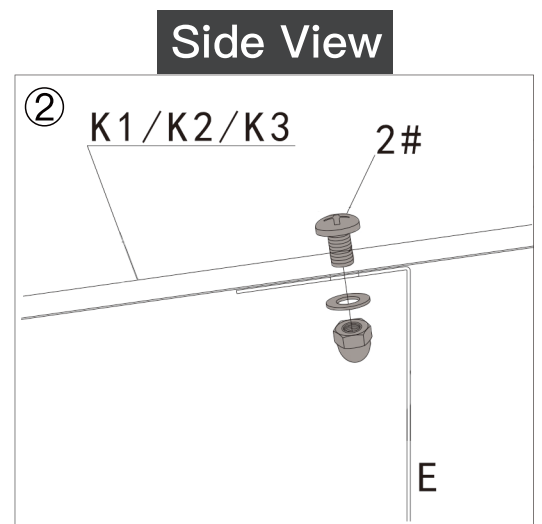
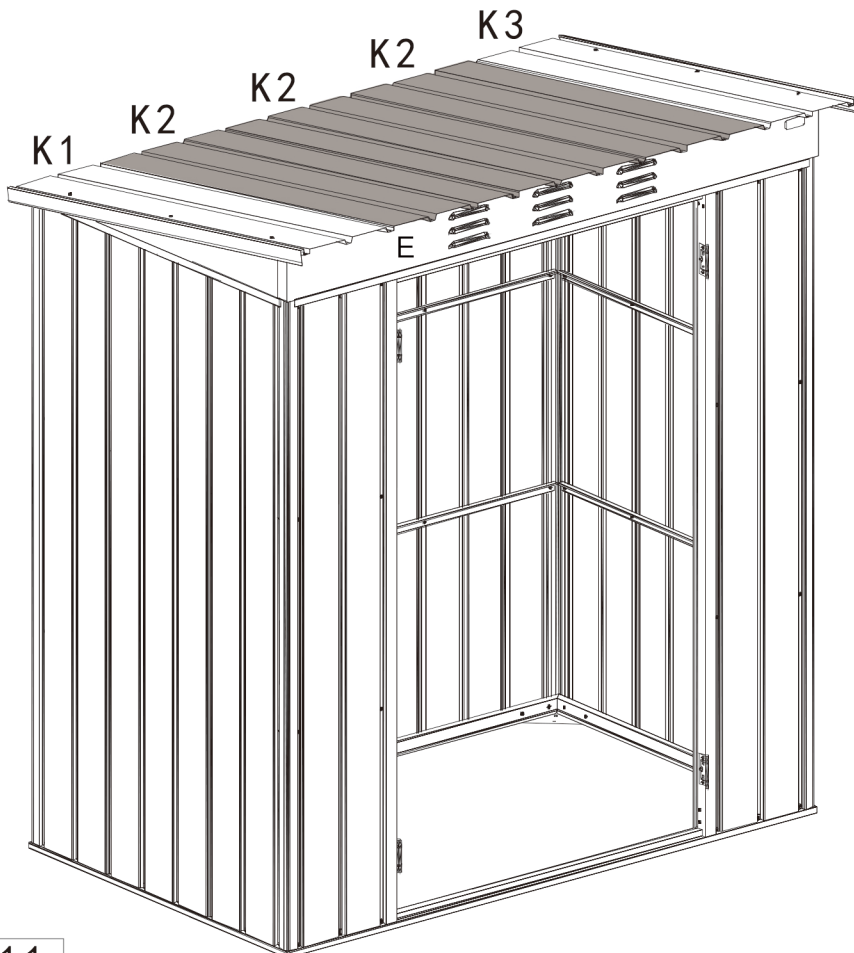


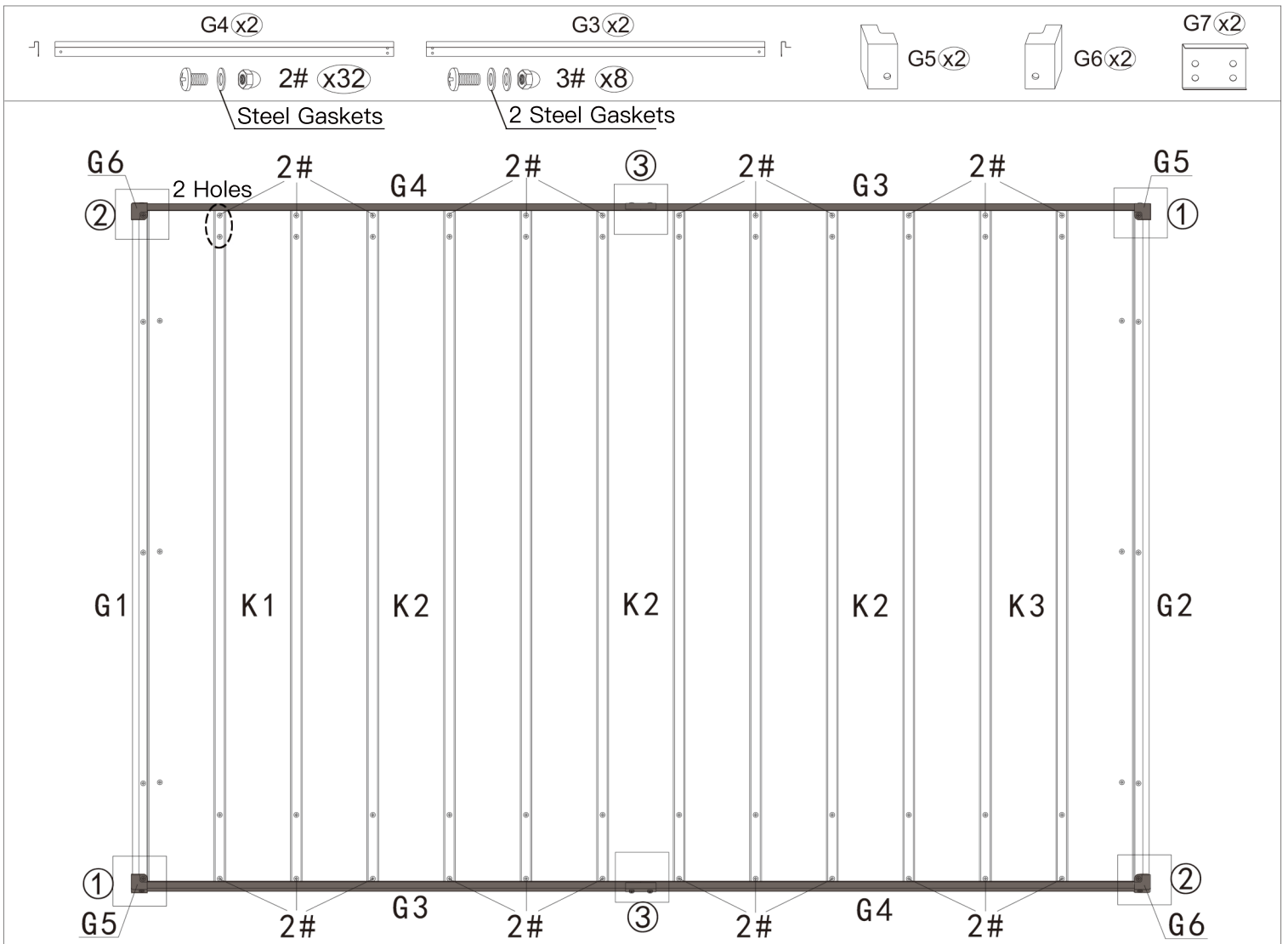
The roof panel part #K1/K2/K2/K2/K3 is laid in order as shown.
 Use 6 screws 2#, gaskets and nuts to fix the roof panel K1/K3 on top frame D1/D2 as shown in ①.





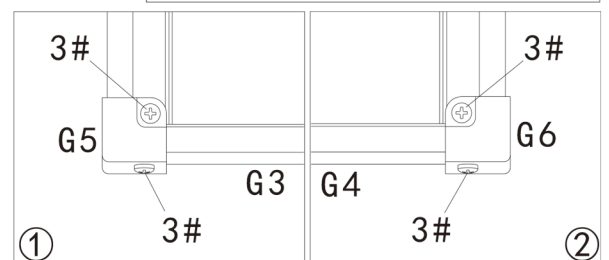
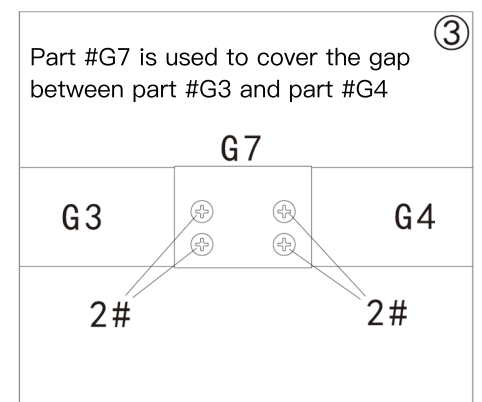
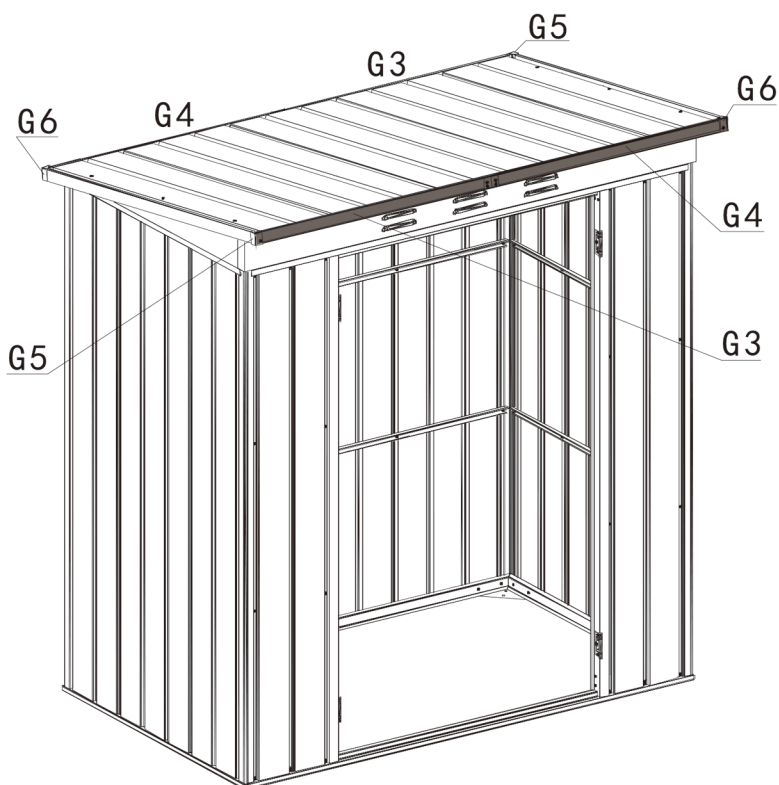
Use 12 screws 2#, gaskets and nuts to fix the roof panel K1/K2/K2/K2/K3 on top frame E as shown in ②.
 Use 12 screws 1#, gaskets to fix the roof panel K1/K2/K2/K2/K3 on the back side beam B2.





1. Use 24 screws 2# to install part #G3/G4 on both ends of the roof first (Note: Please follow the installation position as shown in the picture) .

2. Install part #G7 at the joint of part #G3/G4, and fix it with 8 screws 2#, gaskets and nuts as shown in ③.



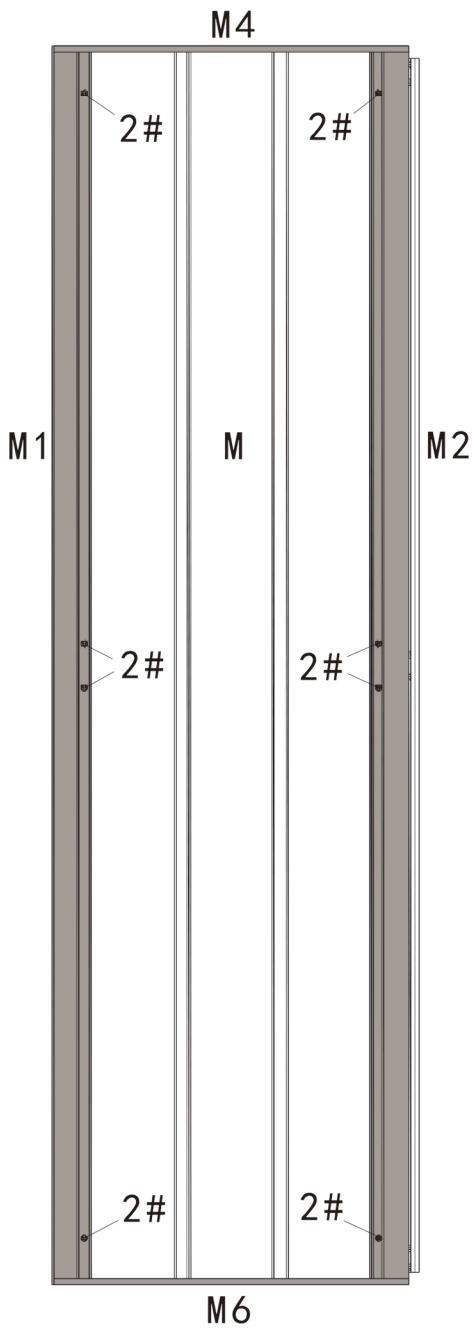
3. Part #G5/G6 is inlaid at the four corners and fixed with 8 screws 3#, 16 gaskets and 8 nuts as shown in ①②.



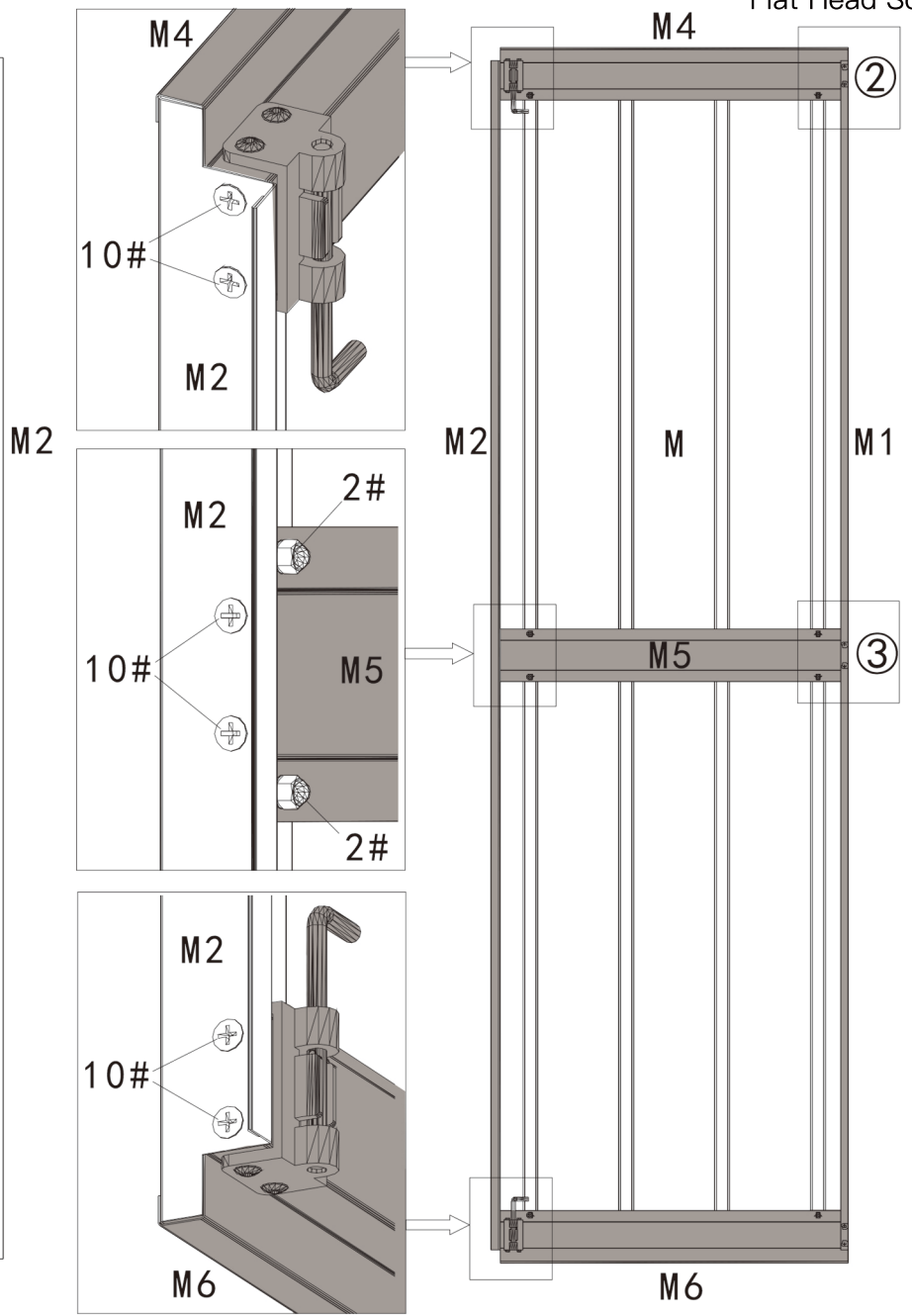
Steel Gaskets



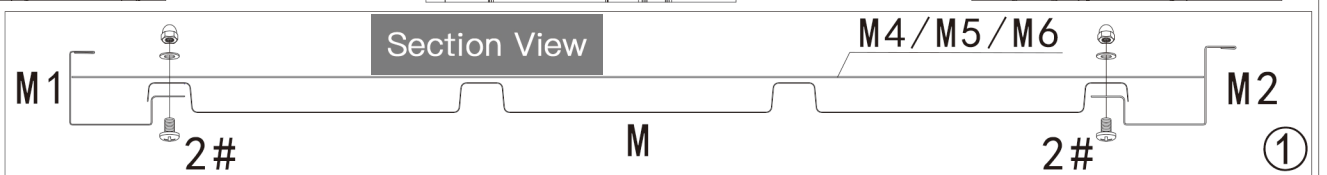
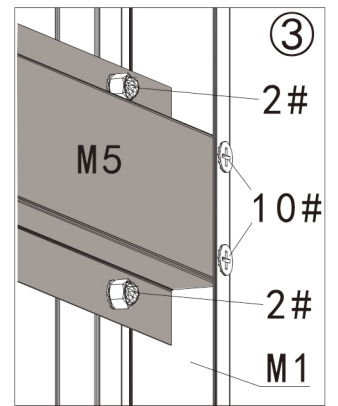
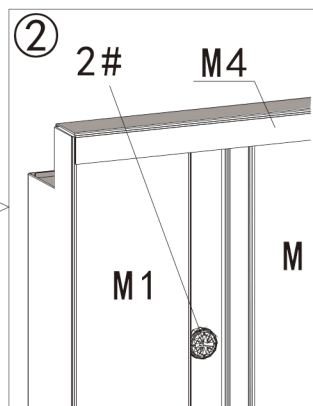
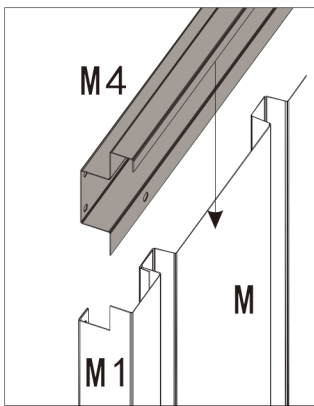
Flat Head Screws



The front side of the left door



The back side of the left door



13-M-1



M x1



M1 x1

M3 x1

M7 x2

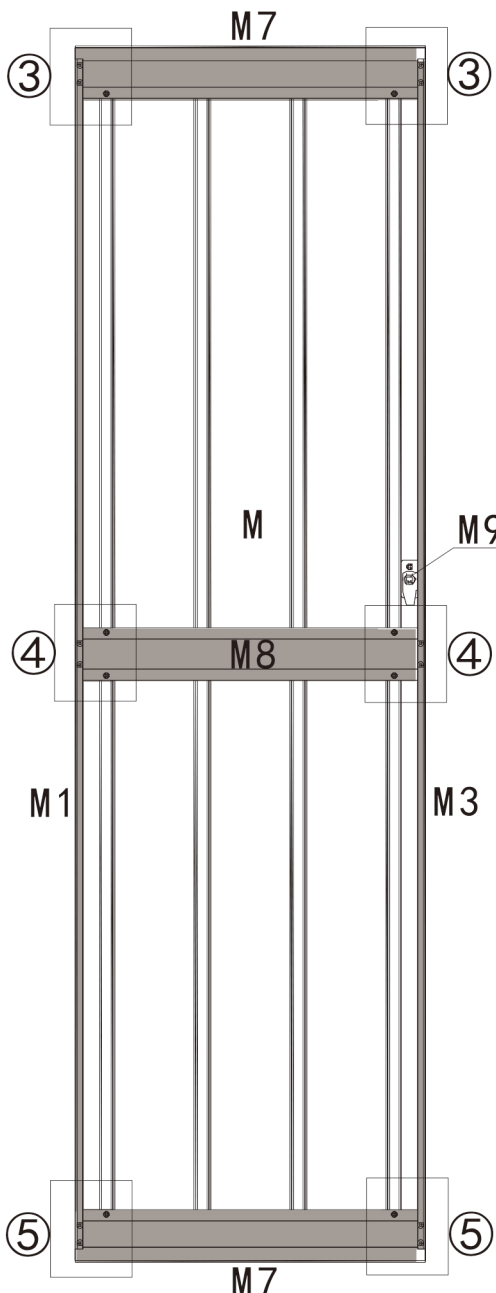
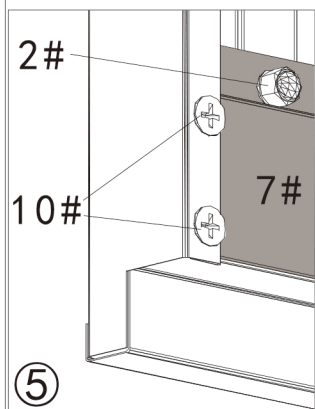
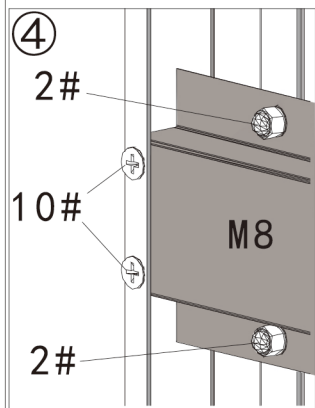
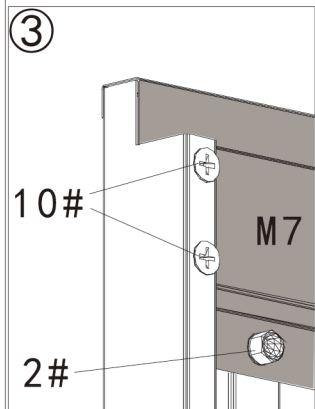
M8 x1

M9 x1

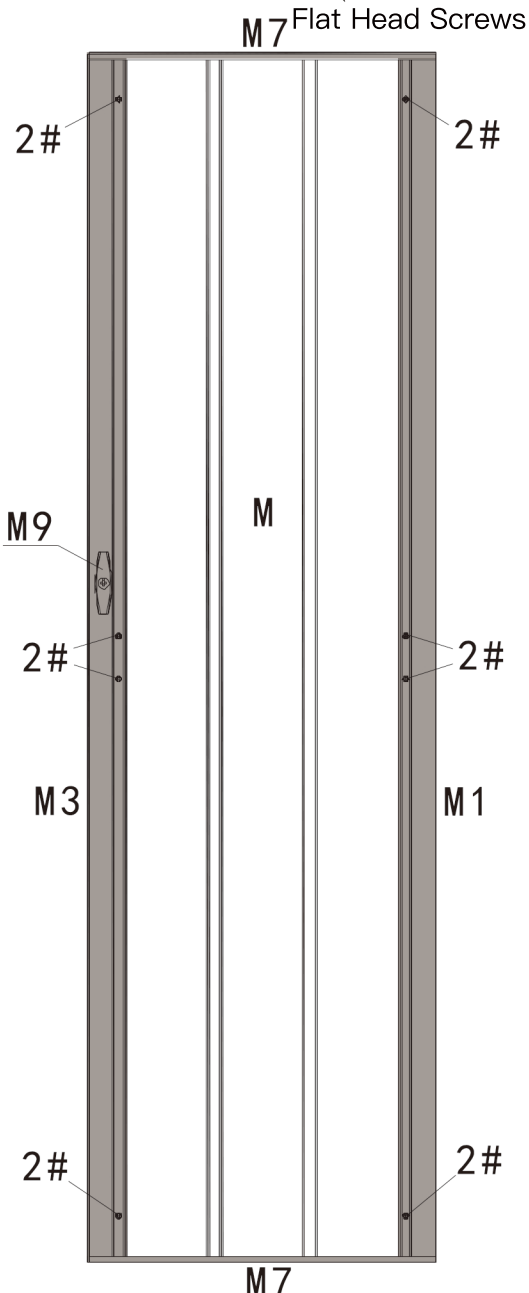
M10 x1

2# x8

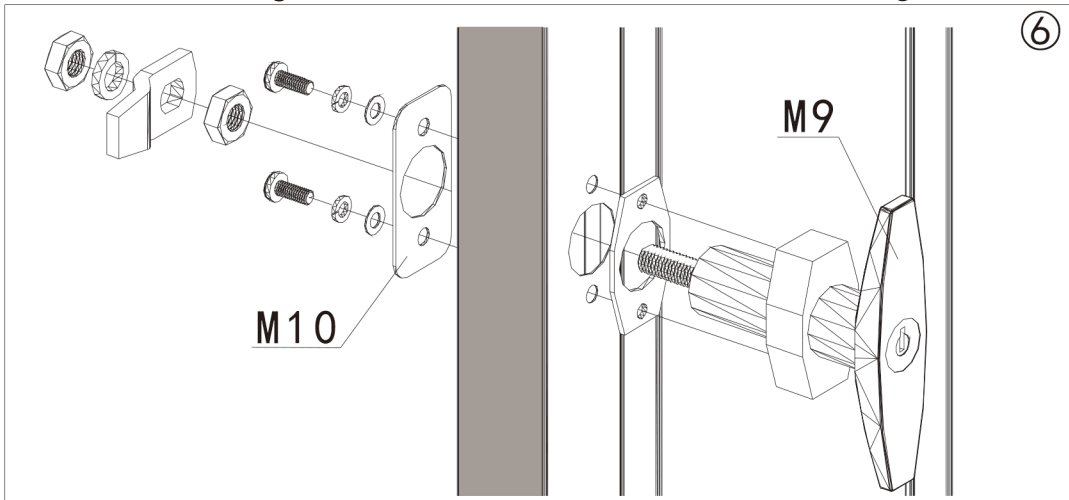
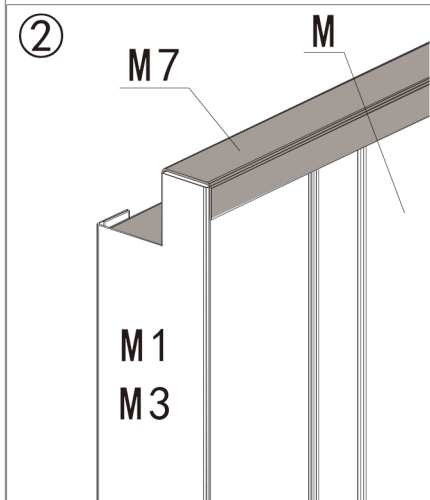
10# x12



The front side of the right door



The back side of the right door



Section View

M7/M8

13-M-2

1

Y(x4) 8#(x8)

Steel Gaskets

Flat Head Screws

How to install the door

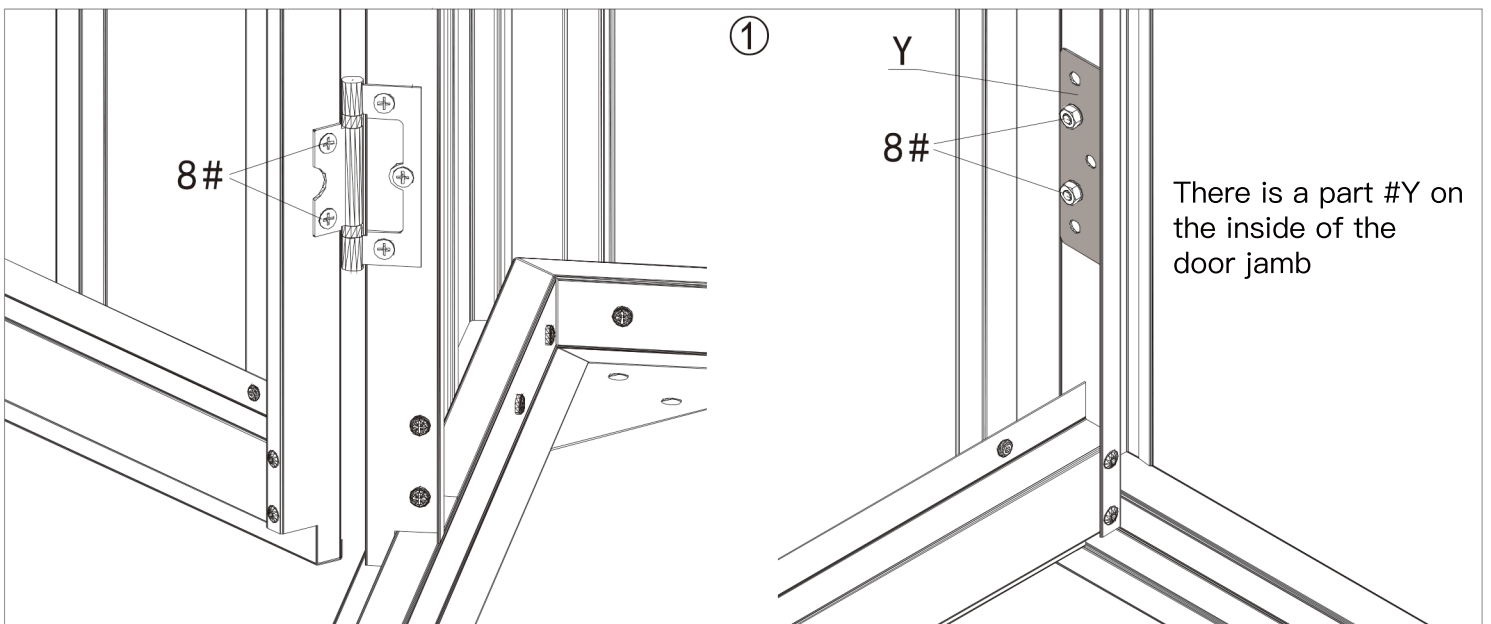
M1

M2

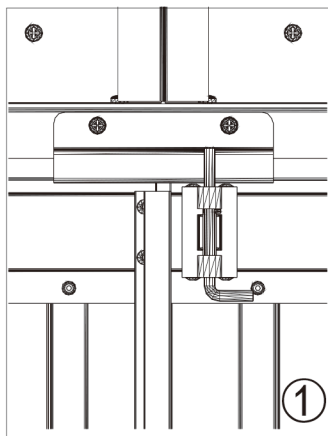
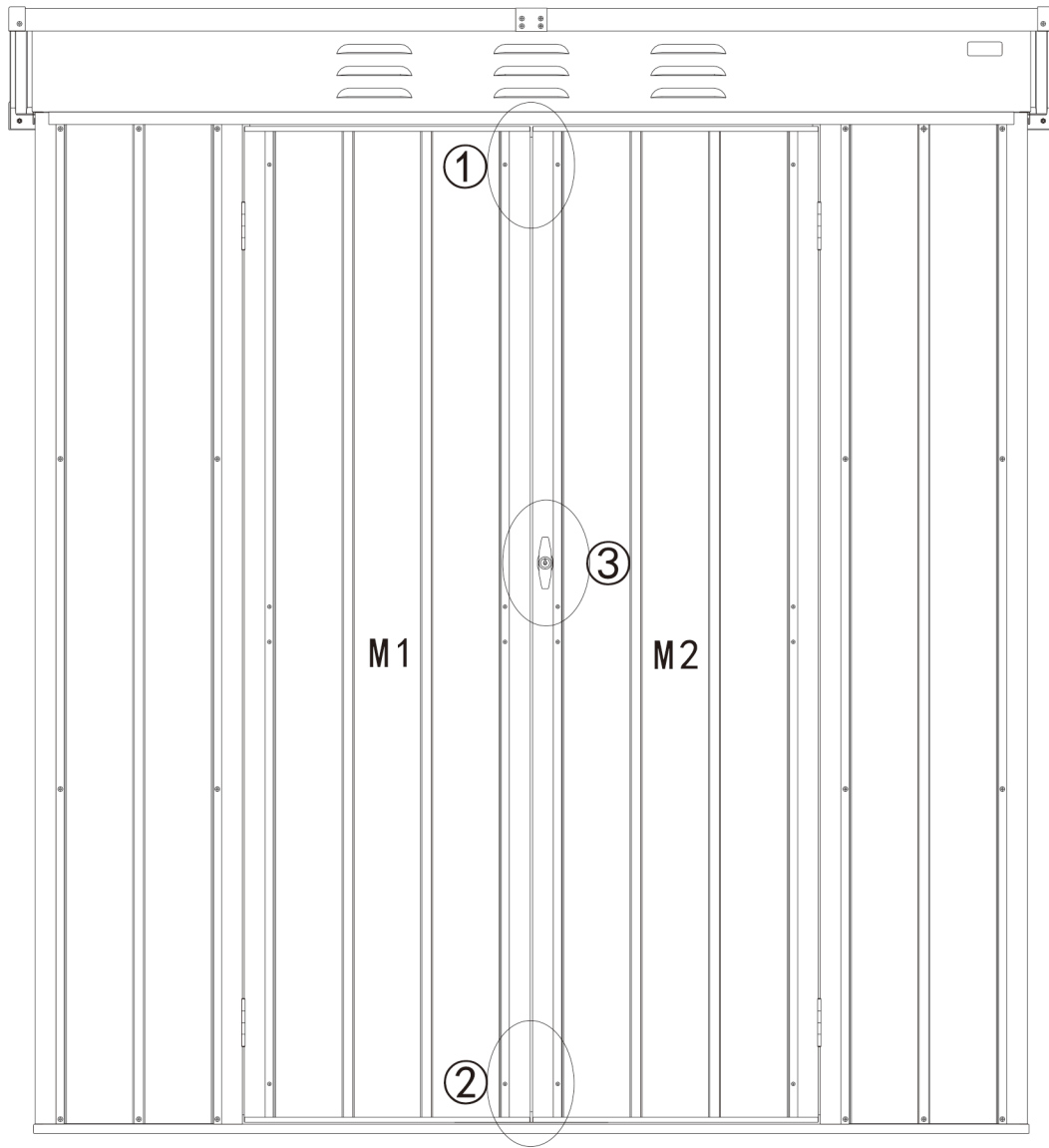
There is a bolt on the left door

There is a handle on the right door

Fix the hinge (part#Y) to the left/right door by 8 screws 8#, gaskets and nuts as shown in ①.



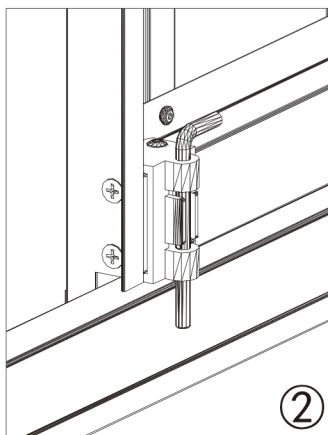
There is a part #Y on the inside of the door jamb



← Insert the bolt and lock the door

Open the door: insert the key, rotate 180° counterclockwise, and rotate the handle counterclockwise to open the door.

Lock the door: close the door, insert the key, rotate the handle clockwise, then rotate the key 180° clockwise and pull the key out.



← Insert the bolt and locks the door

