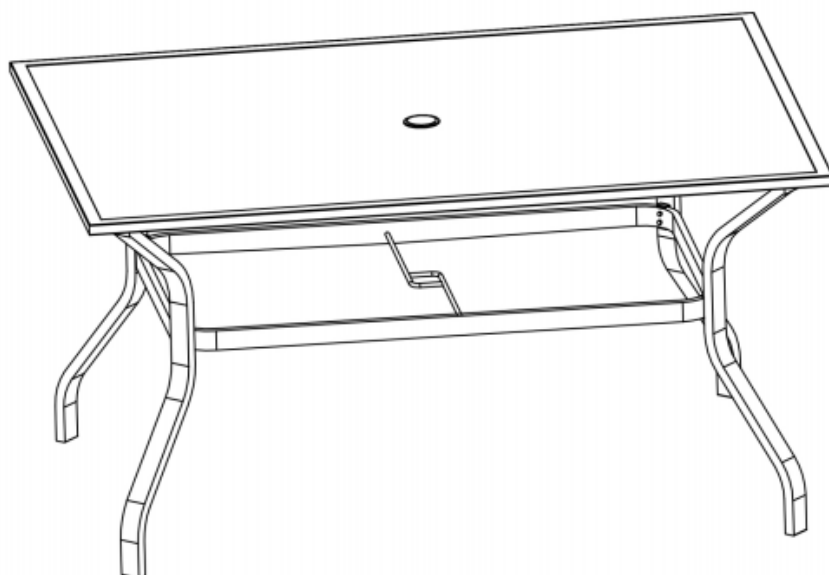
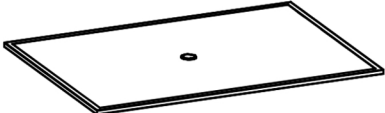

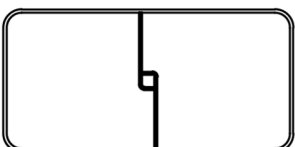







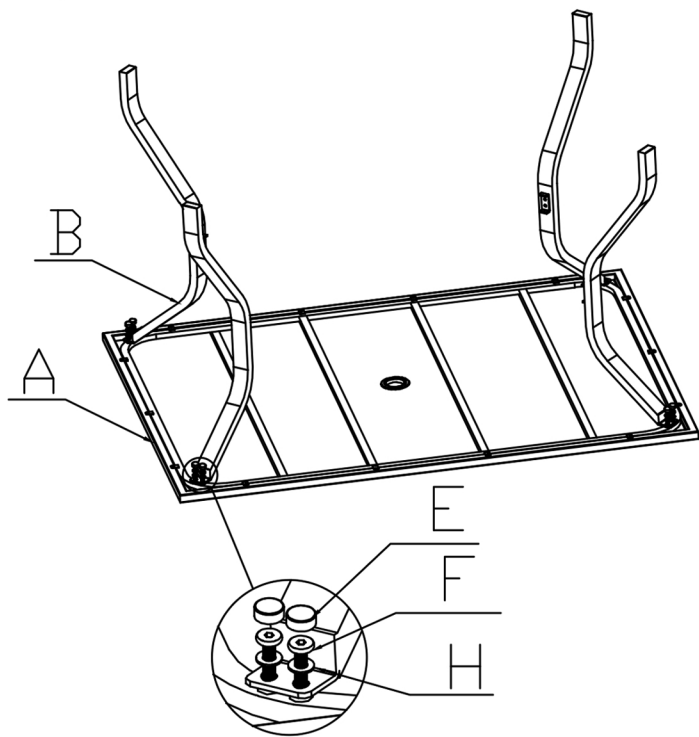
Patio Dining Table Assembly Manual



- Prior to assembly, please confirm all of the parts listed included.
- All bolts should be tightened before use. Maybe, you need allen wrench for assembly.

Parts List:

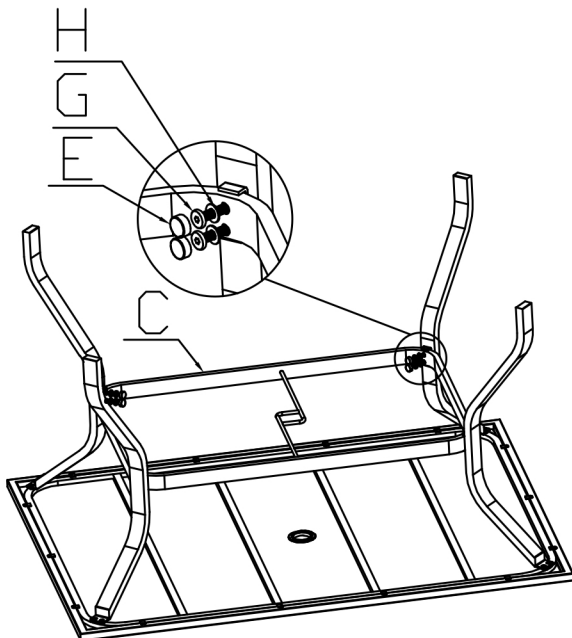
<p>(A)</p>  <p>1X</p>	<p>(B)</p>  <p>4X</p>	<p>(C)</p>  <p>1X</p>	<p>(D)</p>  <p>1X</p>
<p>(E)</p>  <p>16X</p>	<p>(F)</p>  <p>M6*16 8X</p>	<p>(G)</p>  <p>M6*25 8X</p>	<p>(H)</p>  <p>16X</p>



Step 1:

Put on Part E,F,H just as shown in the diagram. Assemble Part B(Legs) to Part A(Tabletop).

Please note: Don't tighten the screws before finish assembly.



Step 2:

Assemble Part C to the Part B(Legs) with Part H,G,E as shown in the diagram.

Notice: Please tighten all screws after assembly.