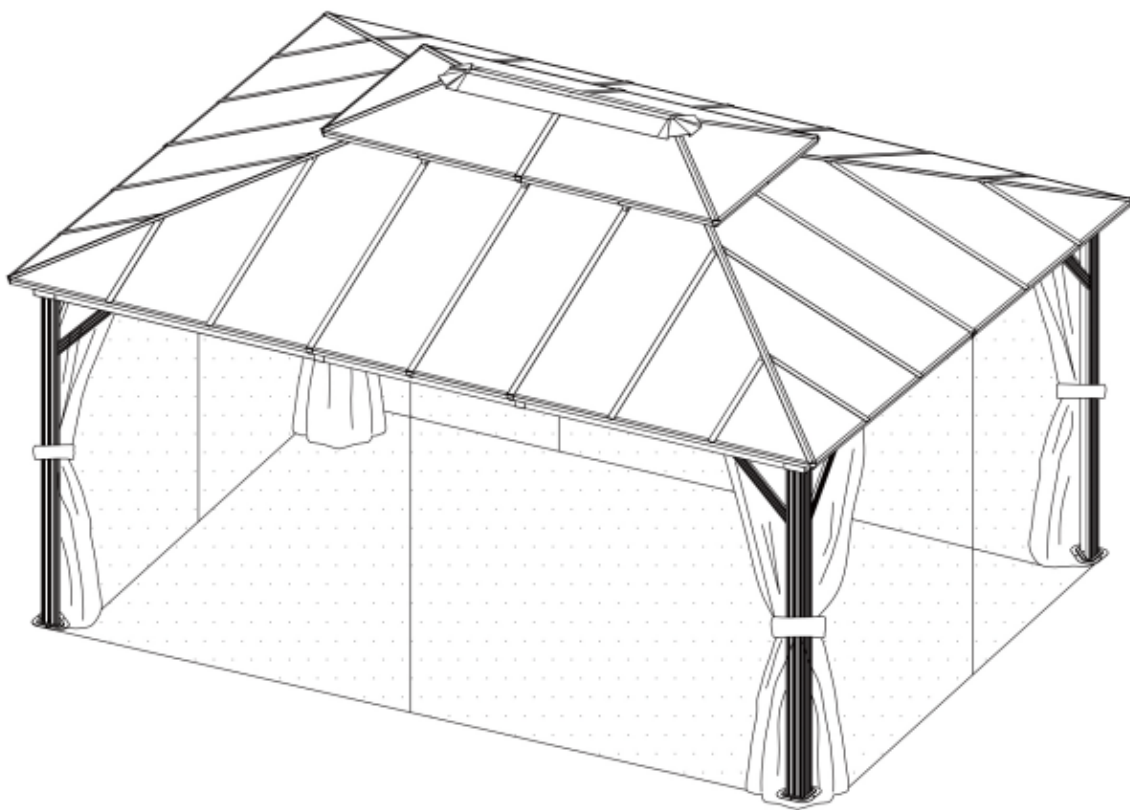


12'×16' HARDTOP ALUMINUM
POLYCARBONATE GAZEBO

ASSEMBLY MANUAL



MODEL#: LGFP1583

Pre-assembly



1. Two or more people are required for assembly.



2. You will need one or more stepladders.



3. Wearing protective gloves is recommended.



4. You may need a safety hat.



5. Please use a Phillips screw driver.



6. For ease of construction, you may need a drill.



7. You may need a safety goggle.



8. Do not fully tighten screws prior to complete assembly.

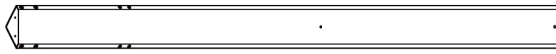
Warning & Attention

-Try to assemble this product on the flat ground, otherwise it is difficult to carry out;

-It would be much easier to assemble the product with three or more people;

-After assembly, please check whether all screws are tightened, to prevent parts from falling apart.

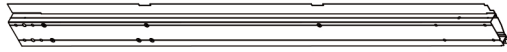
▲ Use bolts to secure the frame to the ground to against the strong wind.



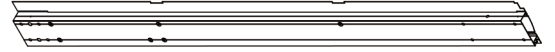
(A) 4x Pole



(C) 2x Beam



(C1) 2x Beam



(D) 2x Beam



(D1) 2x Beam



(D2) 2x Beam Connector



(E) 4x Corner Roof Bar



(E1) 4x Corner Roof Bar Connector



(E2) 6x Roof Bar



(E3) 2x Roof Bar



(F) 4x Corner Roof Solidifying Bar



(F1) 4x Corner Roof Solidifying Bar



(F2) 4x Corner Roof Solidifying Bar



(F3) 4x Corner Roof Solidifying Bar

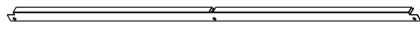


(G) 4x Finishing Bar



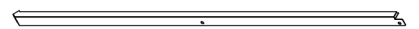
(G1) 4x Finishing Bar

F



G2 2x Finishing Bar

F



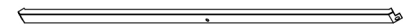
H 2x Finishing Bar

F



H1 2x Finishing Bar

F



H2 2x Finishing Bar

F



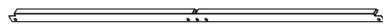
J 4x Finishing Bar

F



J1 4x Finishing Bar

F



J2 2x Finishing Bar

□



K 4x Solidfying Bar

□

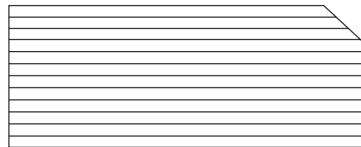


K1 4x Solidfying Bar

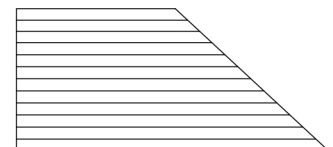
□



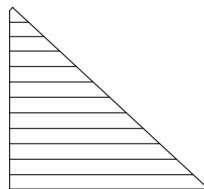
K2 4x Solidfying Bar



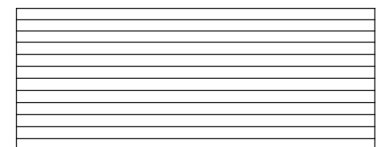
L 4x Roof Panel



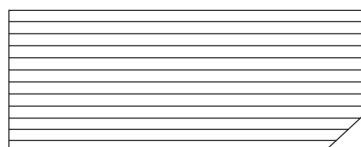
L1 4x Roof Panel



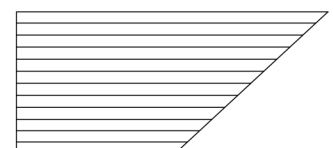
L2 4x Roof Panel



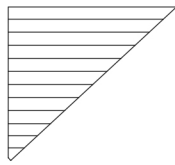
M 4x Roof Panel



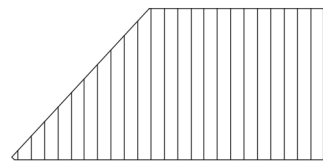
N 4x Roof Panel



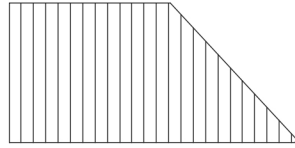
N1 4x Roof Panel



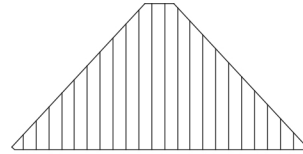
N2 4x Roof Panel



P 2x Roof Panel



P1 2x Roof Panel



P2 2x Roof Panel



Q 4x Plastic Bar



Q1 2x Plastic Bar



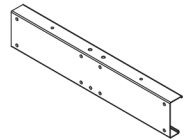
B 4x Base



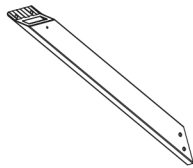
B1 8x Joint Cover



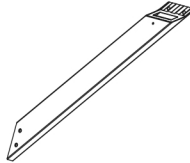
B2 8x Joint Cover



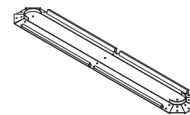
C2 2x Union Bar



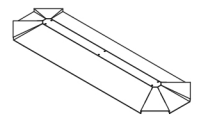
R 4x Corner Solidifying Bar



R1 4x Corner Solidifying Bar



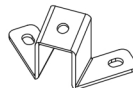
S 1x Inside Roof Connector



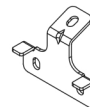
S1 1x Outside Roof Connector



T 3x J-Hook



U 4x Bracket



U1 8x Bracket



U2 16x Bracket



V 128x Hook



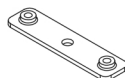
W 4x Bracket



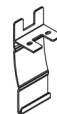
W1 8x Bracket



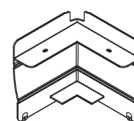
W2 4x Bracket



W3 8x Joint Cover





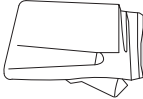
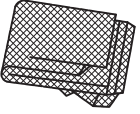
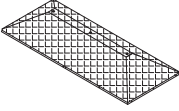




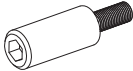
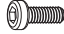

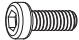

X 6x Joint Cover

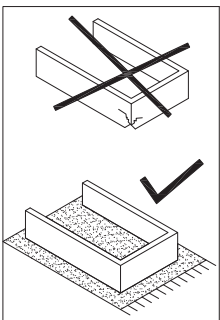



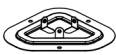
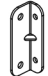




X1 4x Corner Cover

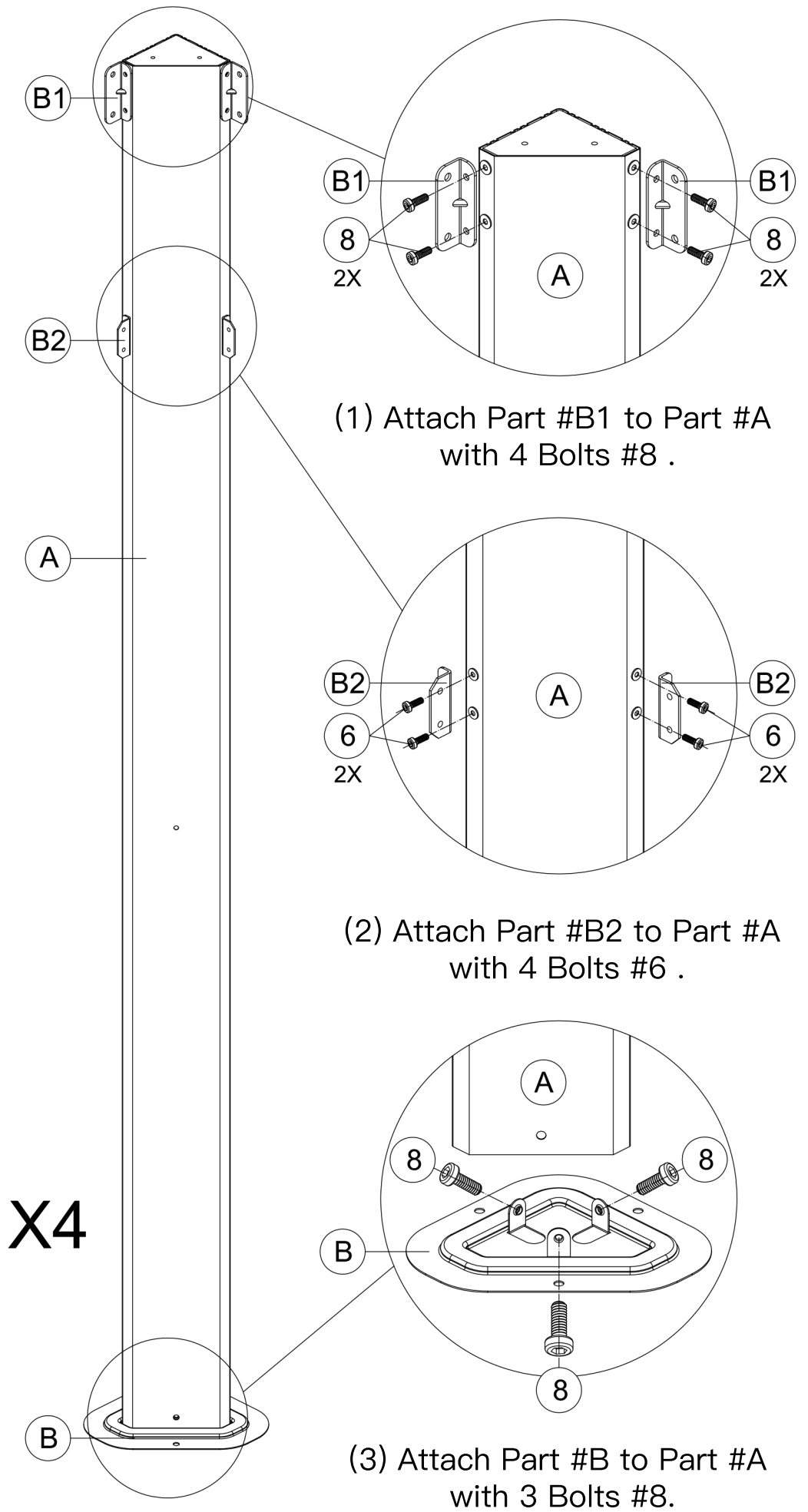


X2 8x Spacer

 Y 18x Finishing End	 Y1 12x Finishing End	 Z 4x Solid Sidewall	 Z1 4x Mosquito Sidewall
 Z2 1x Mesh	 1 1x	 2 8x	 3 20x
 4 16x	 5 16x	 6 64x	 7 12x
 8 276x	 9 8x		



-  **A** 4x
-  **B** 4x
-  **B1** 8x
-  **B2** 8x
-  **1** 1x S4
-  **6** 16x M5x12
-  **8** 28x M6x16

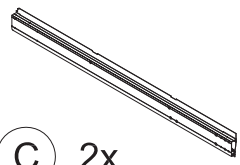


(1) Attach Part #B1 to Part #A with 4 Bolts #8 .

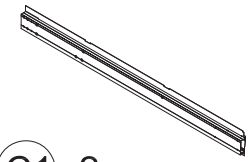
(2) Attach Part #B2 to Part #A with 4 Bolts #6 .

(3) Attach Part #B to Part #A with 3 Bolts #8.

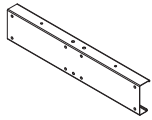
(4) Repeat the above procedures to assemble the other three Part #A.



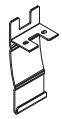
C 2x



C1 2x



C2 2x



X 2x



1 1x



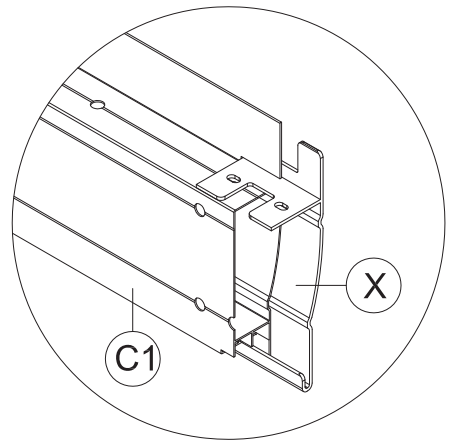
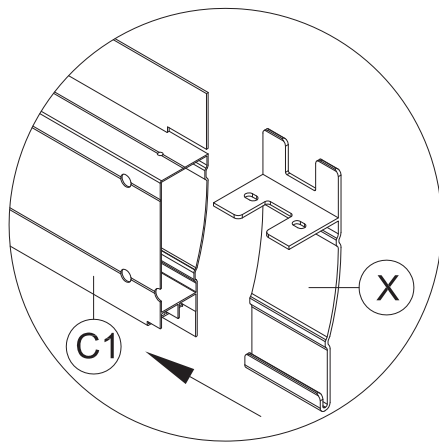
ST5x16

3 4x

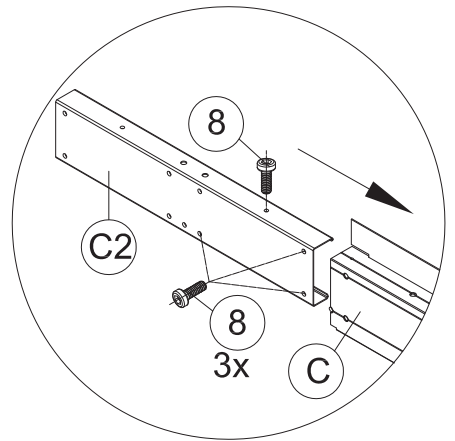
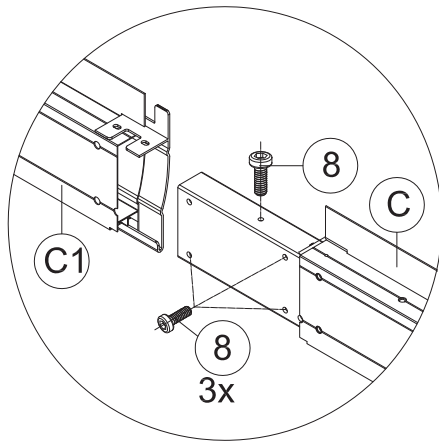


M6x16

8 16x

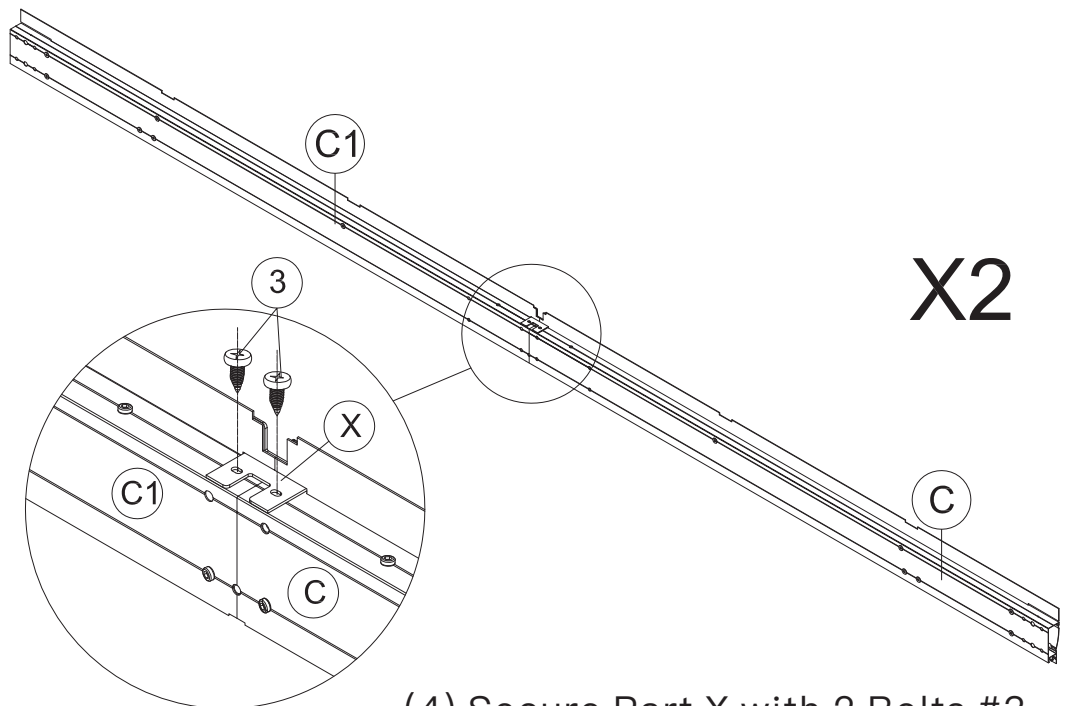


(1) Insert Part #X into Part #C1.



(3) Insert the other side of Part #C2 into Part #C1 and secure with 4 Bolts #8.

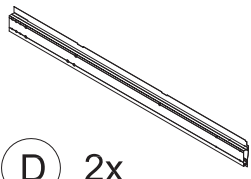
(2) Insert one side of Part #C2 into Part #C and secure with 4 Bolts #8.



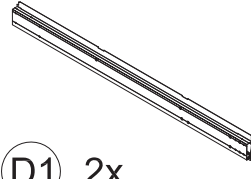
(4) Secure Part X with 2 Bolts #3.

(5) Repeat the above procedures to assemble the other Part #C and Part #C1.

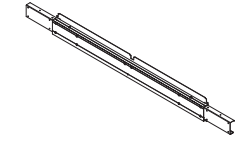
6



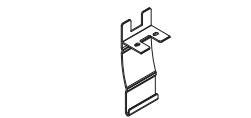
D 2x



D1 2x



D2 2x



X 4x



1 1x



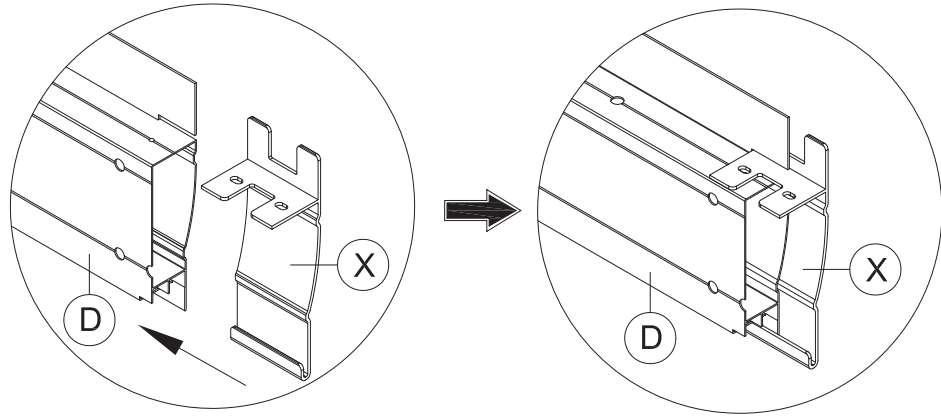
3 8x



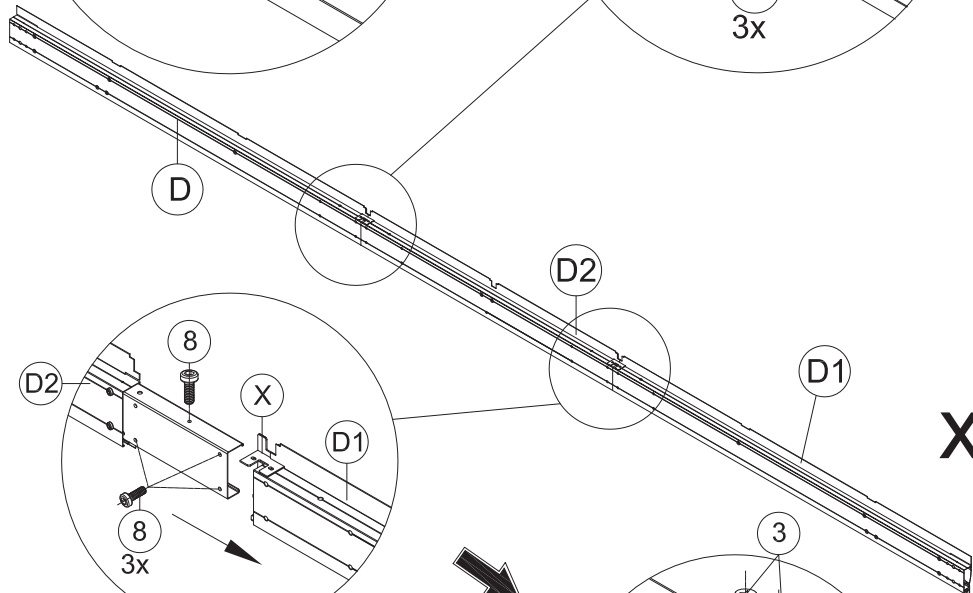
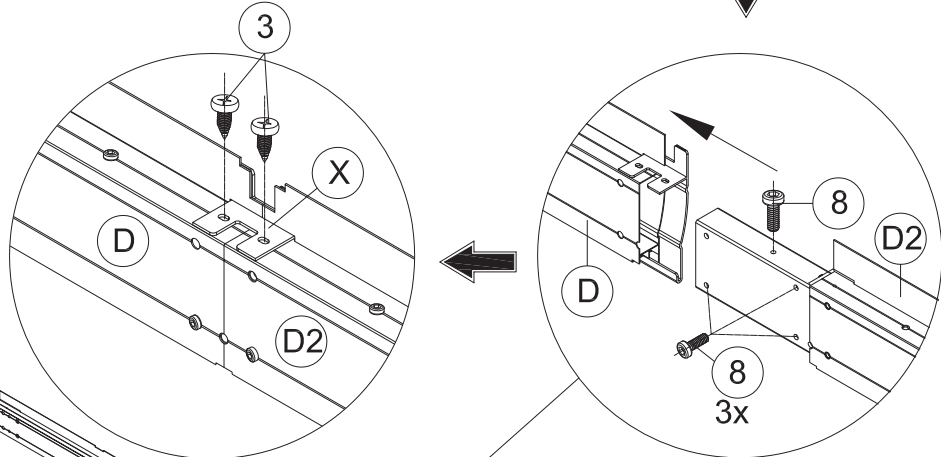
8 16x

7

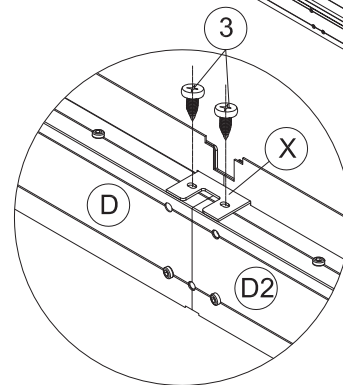
(1) Insert Part #X into Part #D;



(2) Insert one side of Part #D2 into Part #D and secure with 4 Bolts #8.



(3) Insert Part #X into Part #D1; insert the other side of Part #D2 into Part #D1 and secure with 4 Bolts #8.



(4) Secure Part #X with 2 Bolts #3.

(5) Repeat the above procedures to assemble the other Part #D and Part #D1.



S6

1 1x



M6x15

4 16x



M6x15

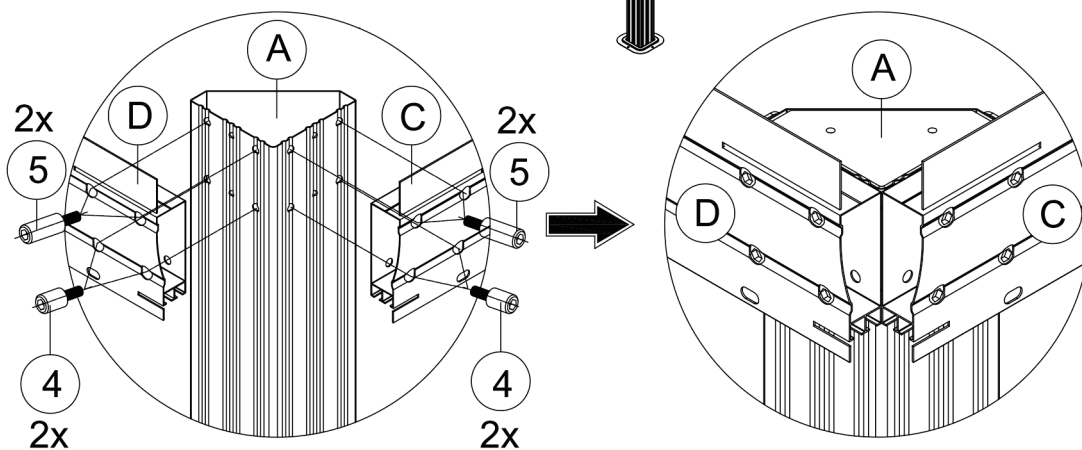
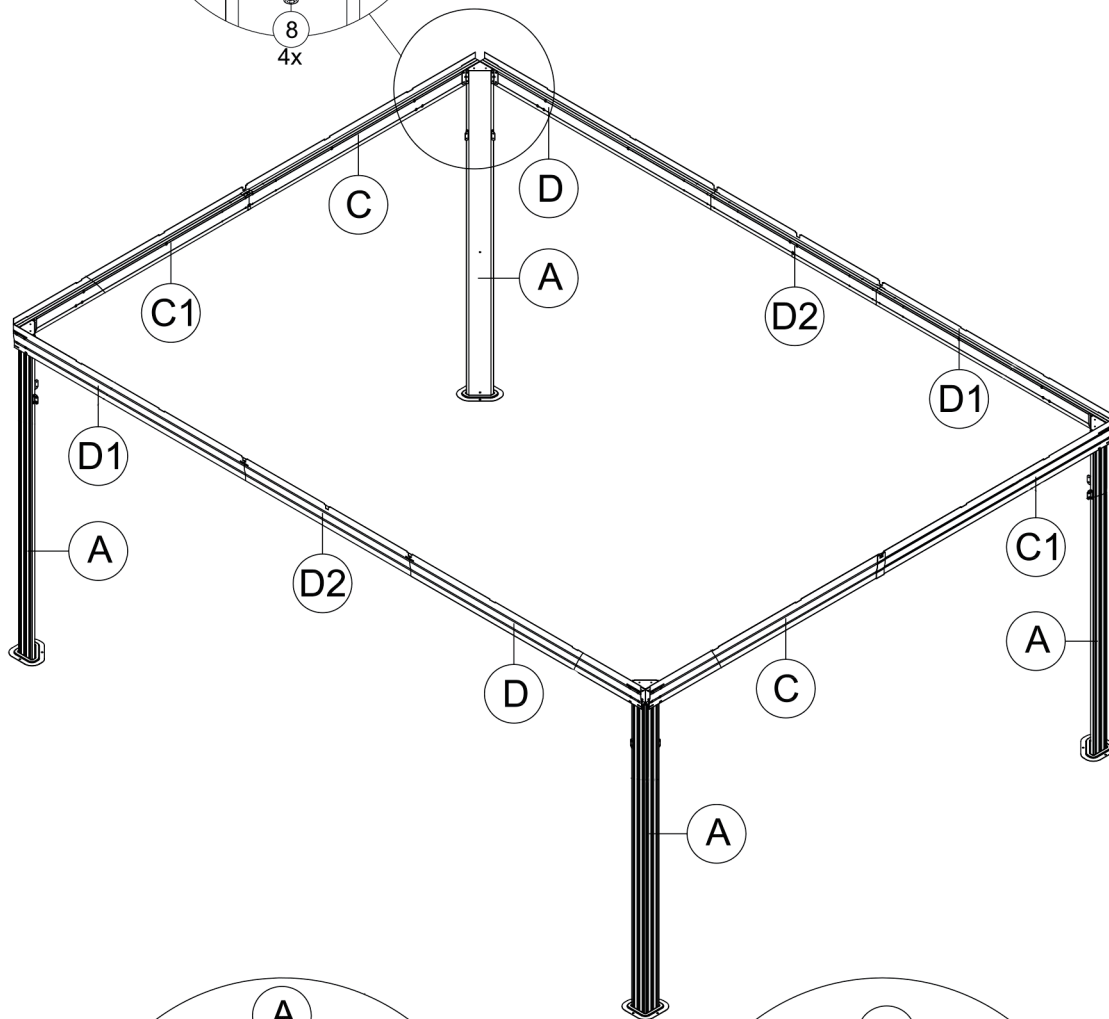
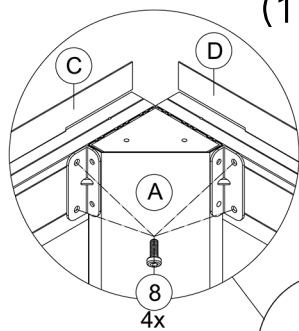
5 16x



M6x16

8 16x

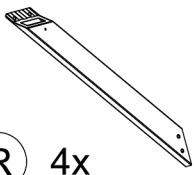
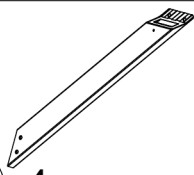
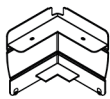




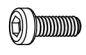
(1) Connect Part #C/C1 and #D/D1 to Part #A with 4 Bolts #8. (From Inside)



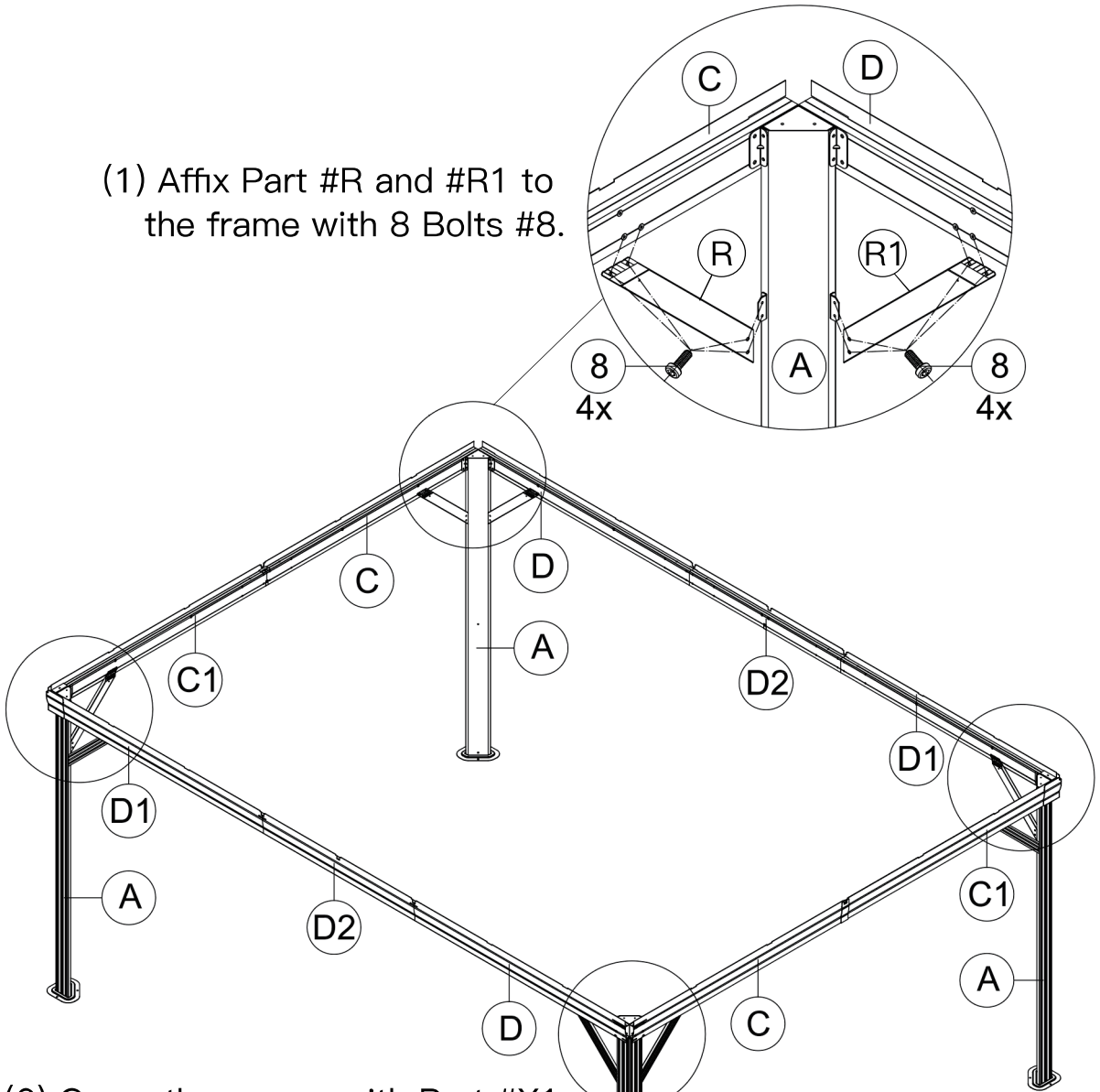
(2) Connect Part #C/C1 and #D/D1 to Part #A with 4 Bolts #4 and 4 Bolts #5. (From Outside)

(3) Repeat the above procedures to assemble the other three corners.

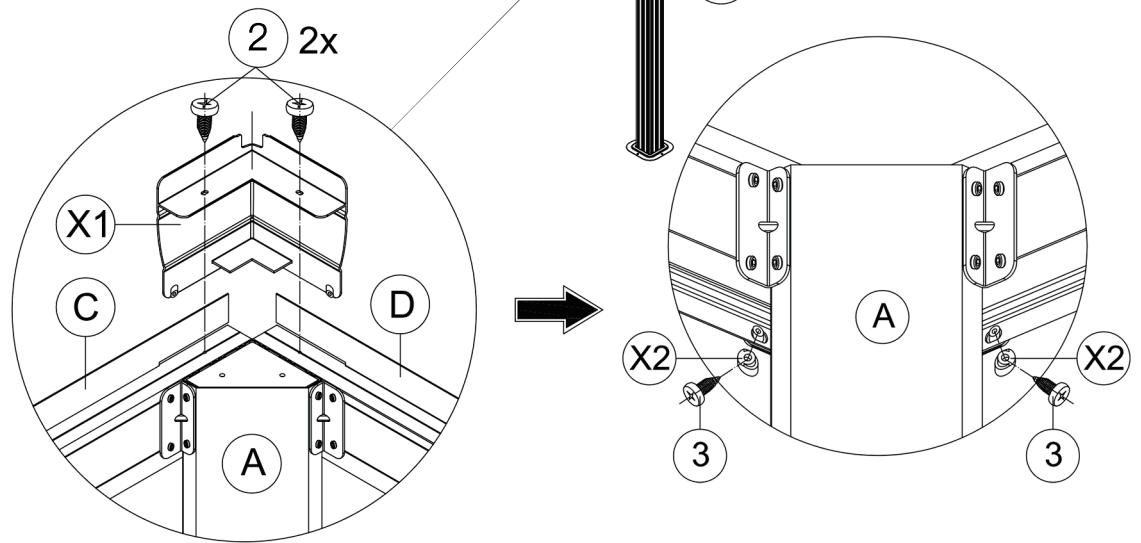
▲ Please don't tighten all the bolts.

-  **R** 4x
-  **R1** 4x
-  **X1** 4x
-  **X2** 8x
-  **S4**
- 1** 1x
-  **ST4.2x12**
- 2** 8x
-  **ST5x16**
- 3** 8x
-  **M6x16**
- 8** 32x

(1) Affix Part #R and #R1 to the frame with 8 Bolts #8.

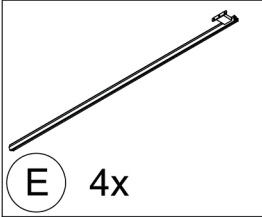


(2) Cover the corner with Part #X1 and secure with 2 Bolts #2.

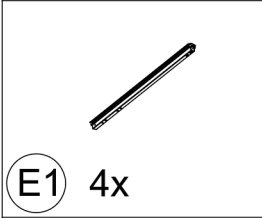


(3) Put Part #X2 on the protruding place and secure with 2 Bolts #3. (From Inside)

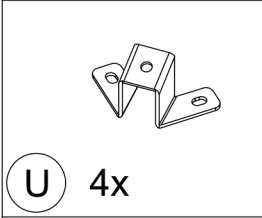
(4) Repeat the above procedures to assemble the other three corners.
▲ Tighten all the bolts.



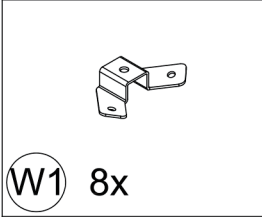
E 4x



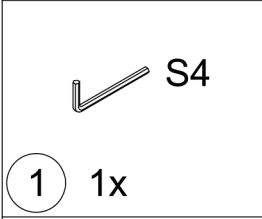
E1 4x



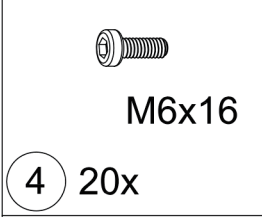
U 4x



W1 8x



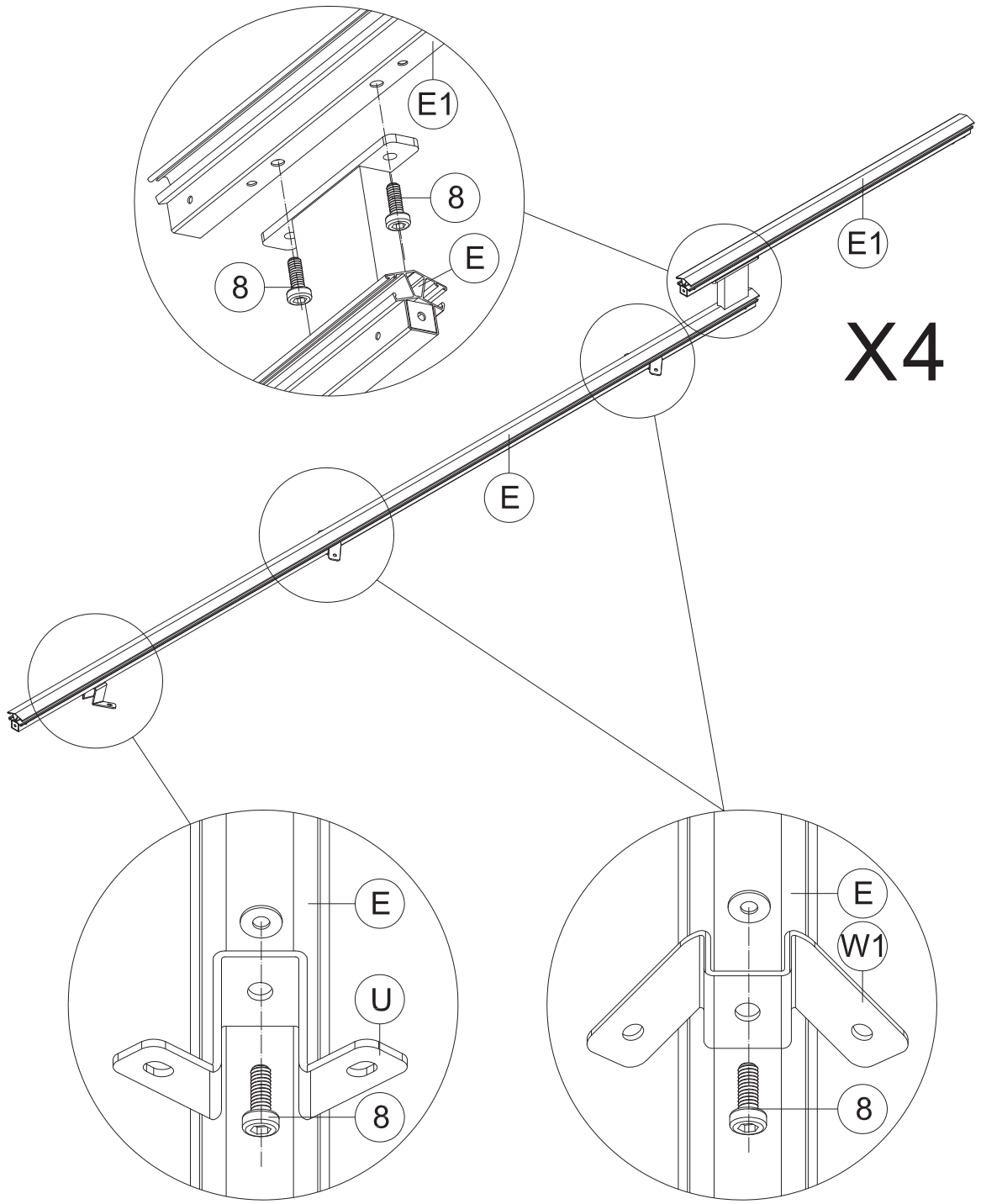
1 1x



4 20x

Assemble the 4 corner Roof Bar:

(1) Connect Part #E1 and Part #E with 2 Bolts #8 .

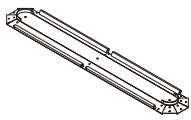


X4

(2) Attach Part #U to Part #E with Bolts #8.

(3) Attach 2 Part #W1 to Part #E with 2 Bolts #8.

(4) Repeat the above procedures to assemble the other sides.



S 1x



1 1x

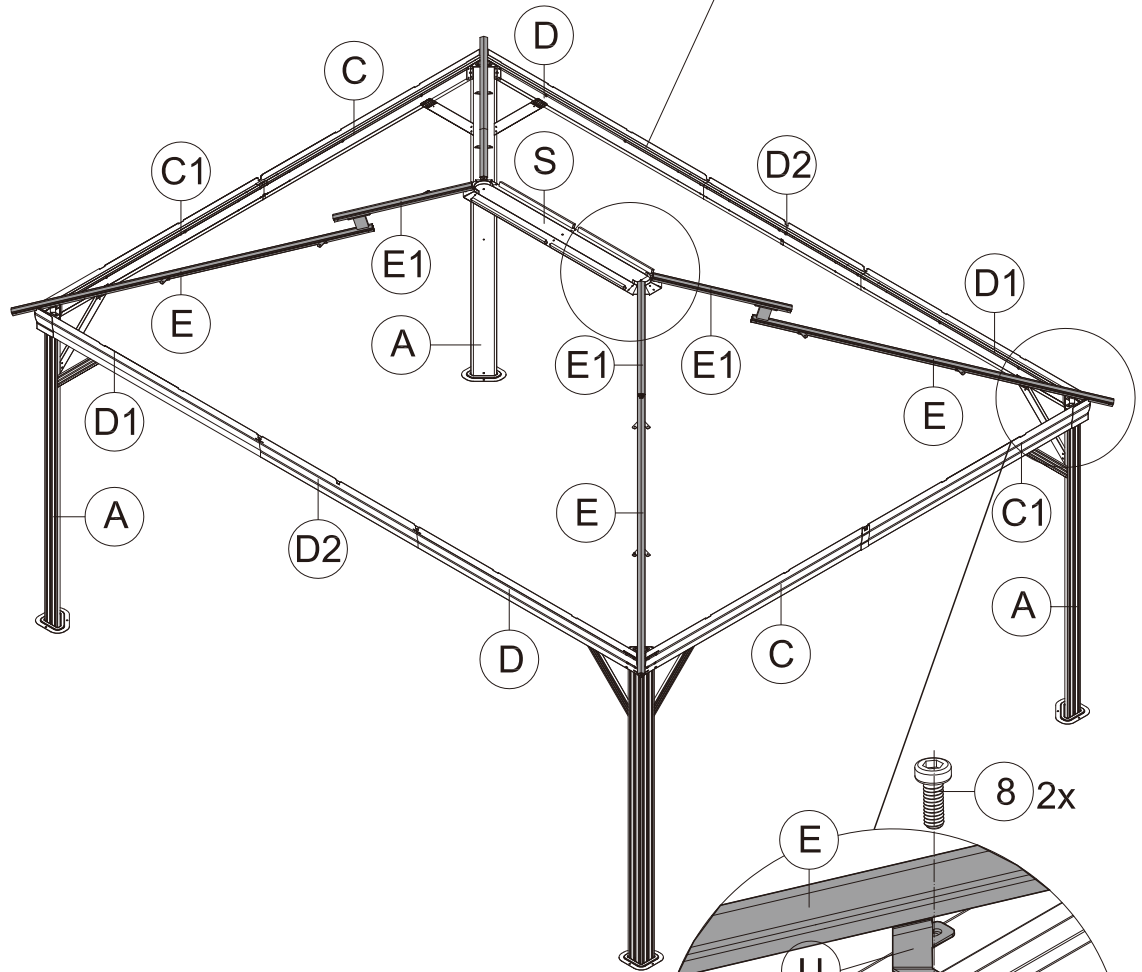
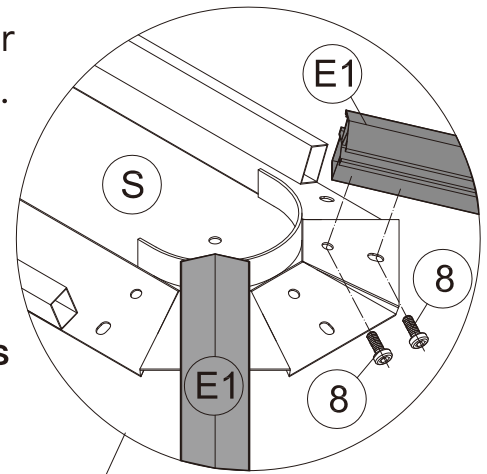


M6x16

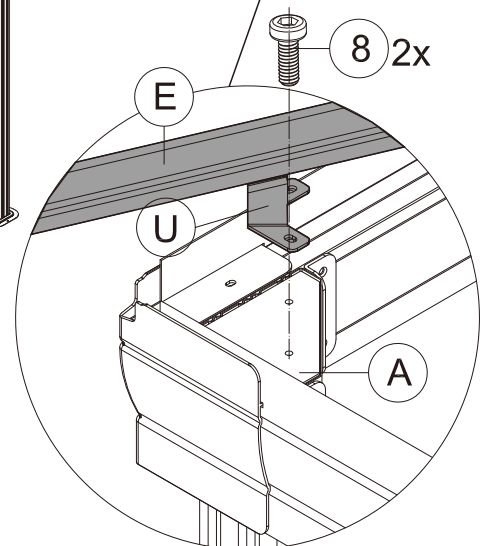
8 16x

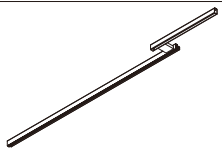
- (1) Please have a freestanding ladder ready at the center of the gazebo.
- (2) Place 4 Part #E1 on 4 corners of part #S; secure with 8 Bolts #8 (from bottom to top)

ATTENTION: You can also finish this step on the ground and then lift 4 corner roof bar and inside roof connector to the top together. (Need 2 people and 2 ladder)

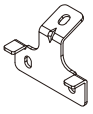


- (3) Place 4 Part #E on 4 Part #A; secure with 8 Bolts #8.





E2 2x



U1 2x



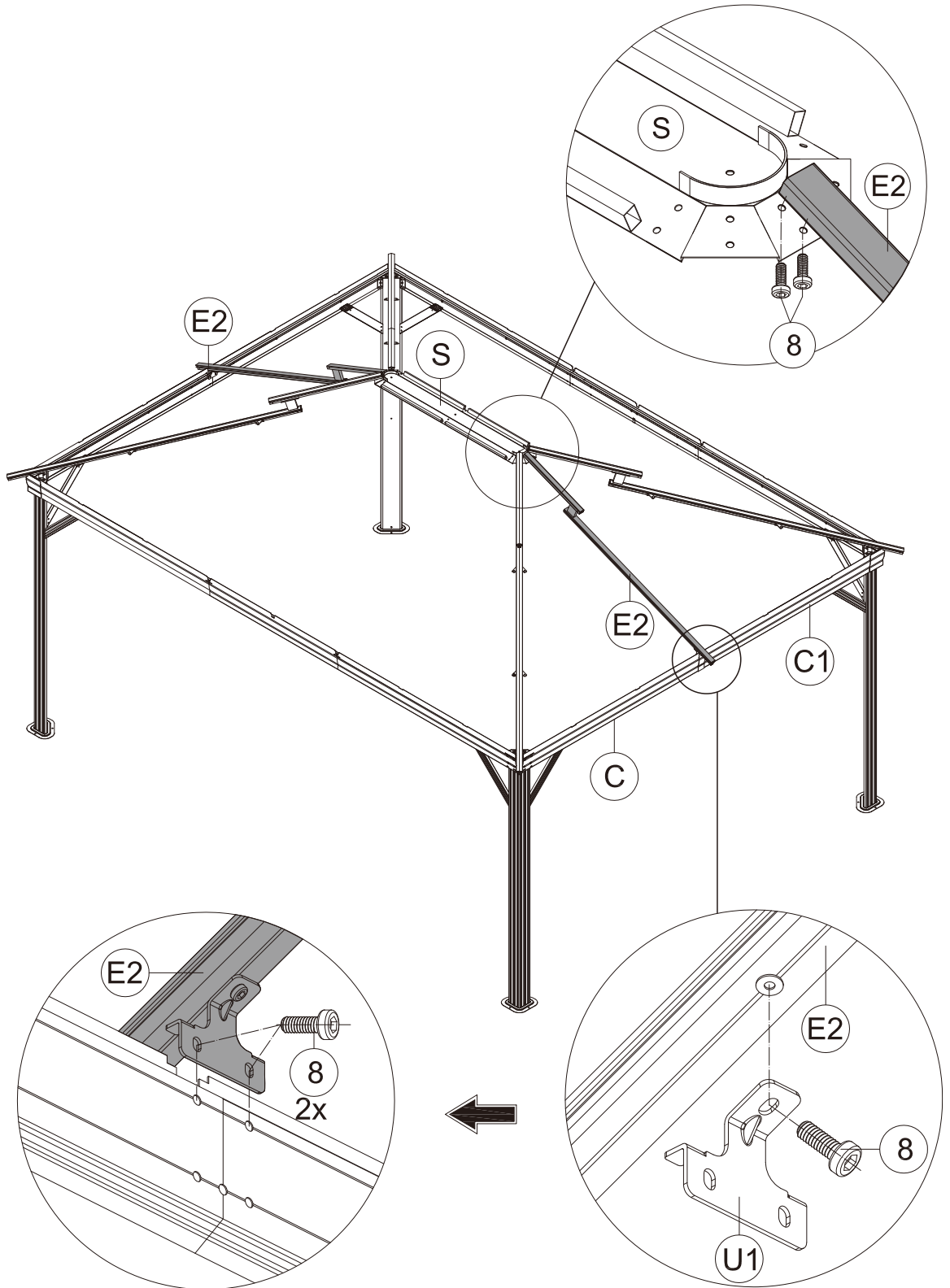
1 1x



M6x16

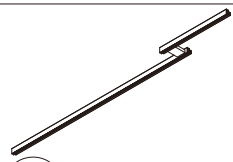
8 10x

(1) Place Part #E2 on part #S;
secure with 2 Bolts #8 (from bottom to top).

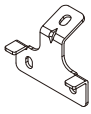


(2) Connect Part #E2 and the Assembled Beam (C/C1)
with part #U1; secure with 3 Bolts #8 .

(3) Repeat the above procedures to assemble another side.



(E3) 2x



(U1) 2x



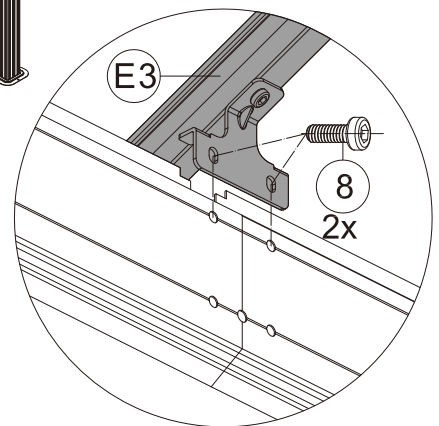
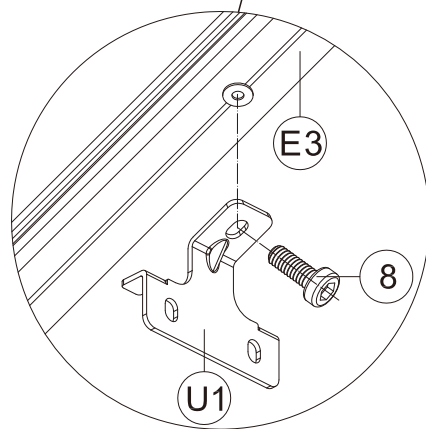
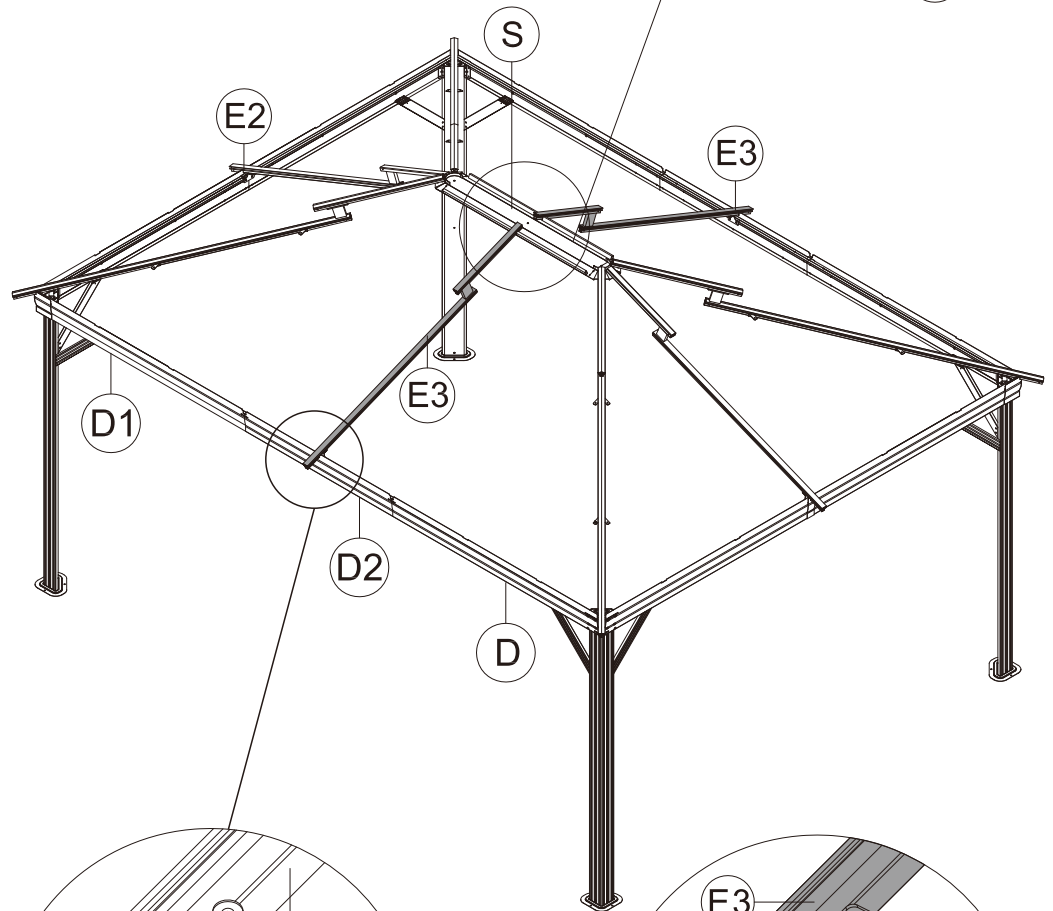
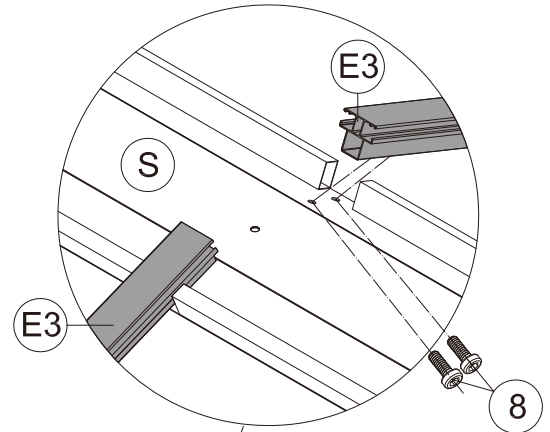
(1) 1x



M6x16

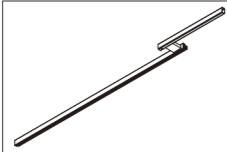
(8) 10x

(1) Place Part #E3 on Part #S; secure with 2 Bolts #8 (from bottom to top).

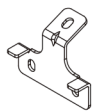


(2) Connect Part #E3 and the Assembled Beam (D1/D2/D) with part #U1; secure with 3 Bolts #8.

(3) Repeat the above procedures to assemble another side.



E2 4x



U1 4x



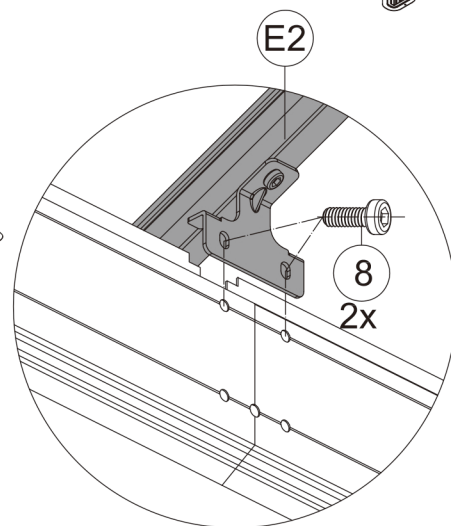
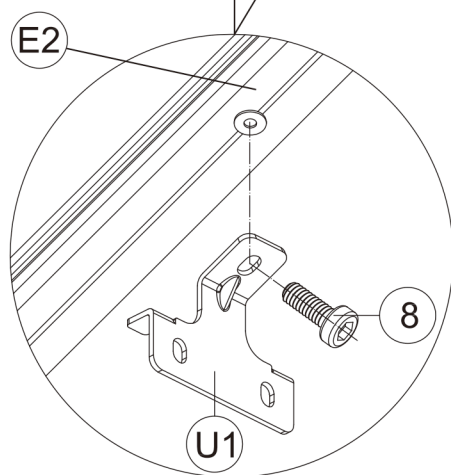
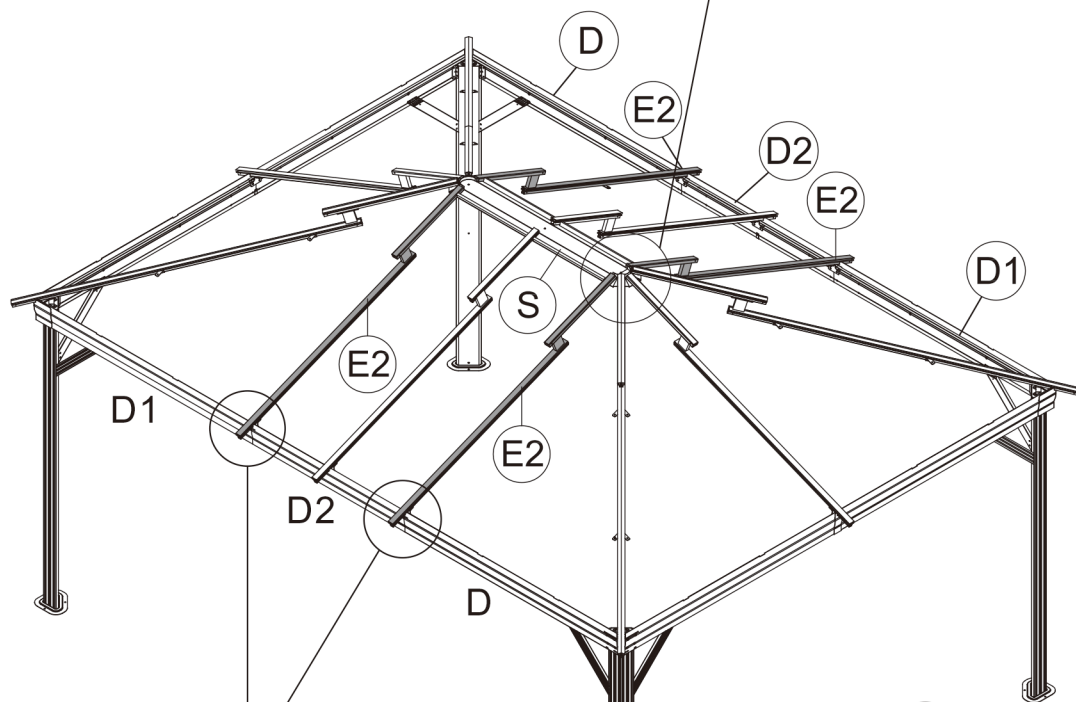
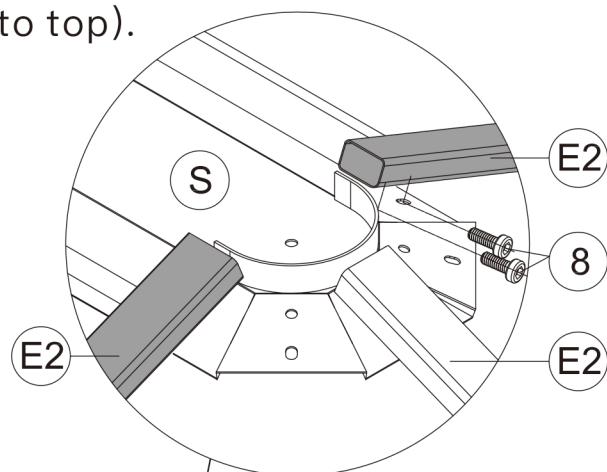
1 1x



M6x16

8 20x

(1) Place 2 Part #E2 on Part #S; secure with 4 Bolts #8 (from bottom to top).



(2) Connect 2 Part #E2 and the Assembled Beam (D1/D2/D) with part #U1; secure with 6 Bolts #8.

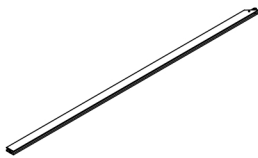
(3) Repeat the above procedures to assemble another side.



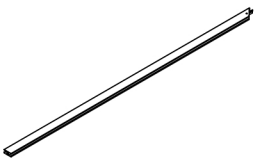
F 4x



F1 4x



F2 4x



F3 4x



U2 16x



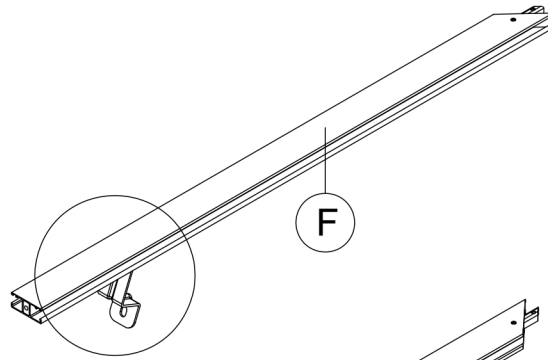
1 1x



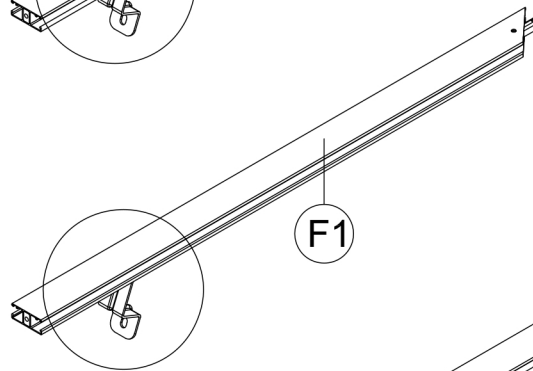
M5x12

6 16x

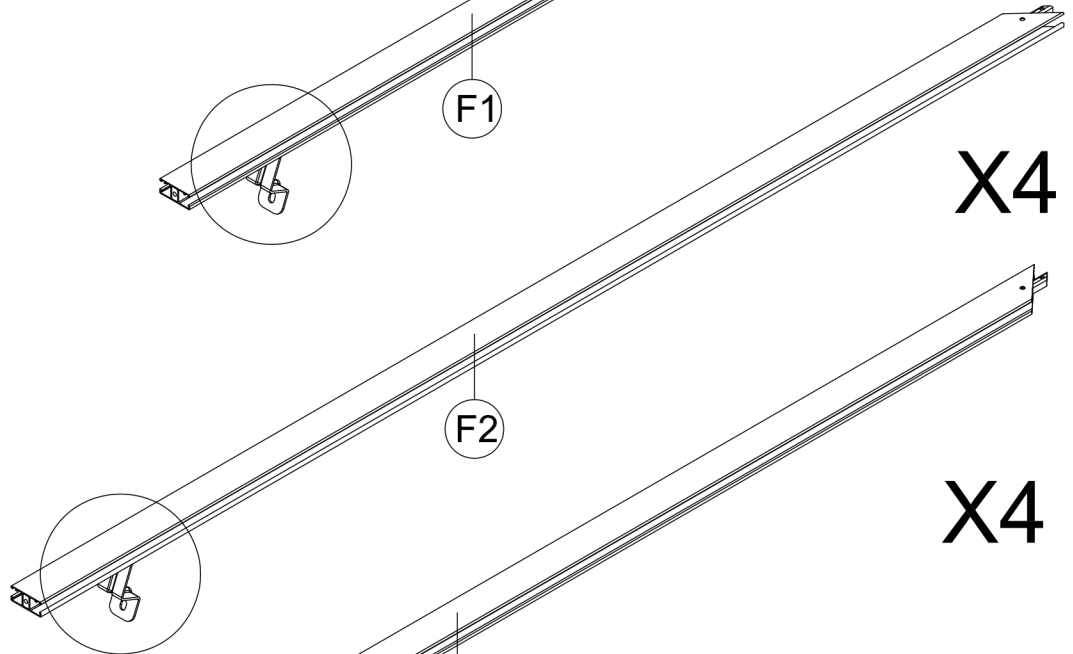
15



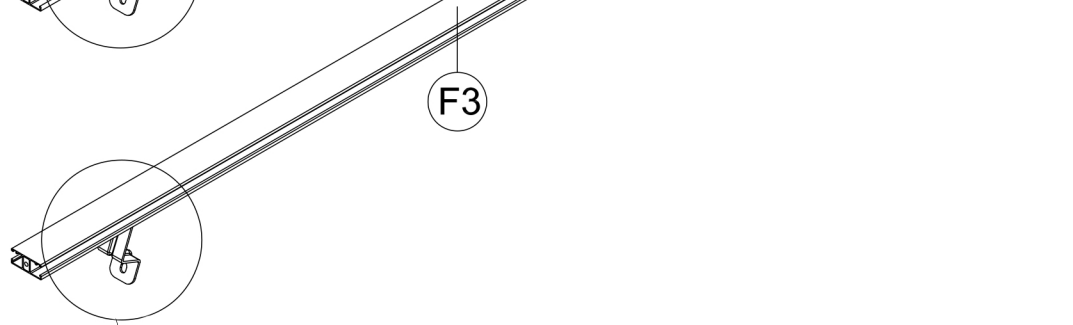
X4



X4



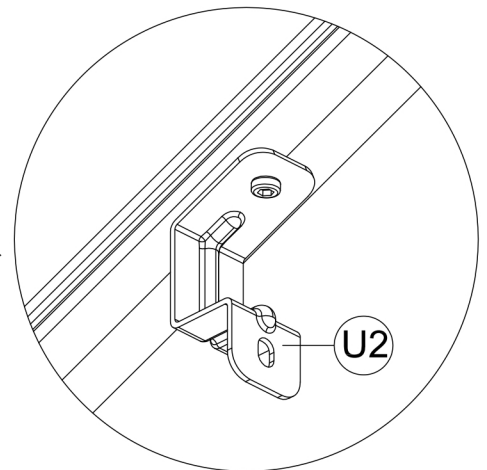
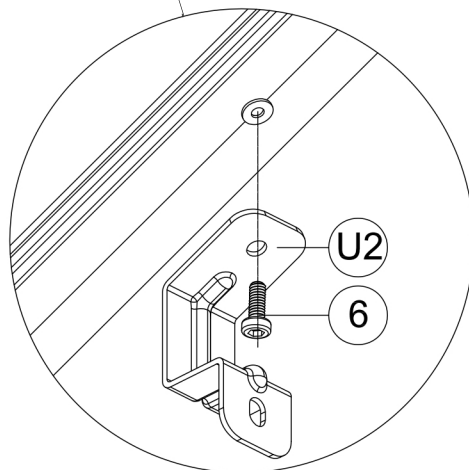
X4



X4

(1) Attach Part #U2 to Part #F/F1/F2/F3 with Bolts #6.

(2) Repeat the above procedures to assemble the other 3 pieces.



✓ S4

(1) Insert Part #F2 and Part #F3 into Part #E;
secure with 2 Bolts #6.

1 1x



M5x12

6 8x

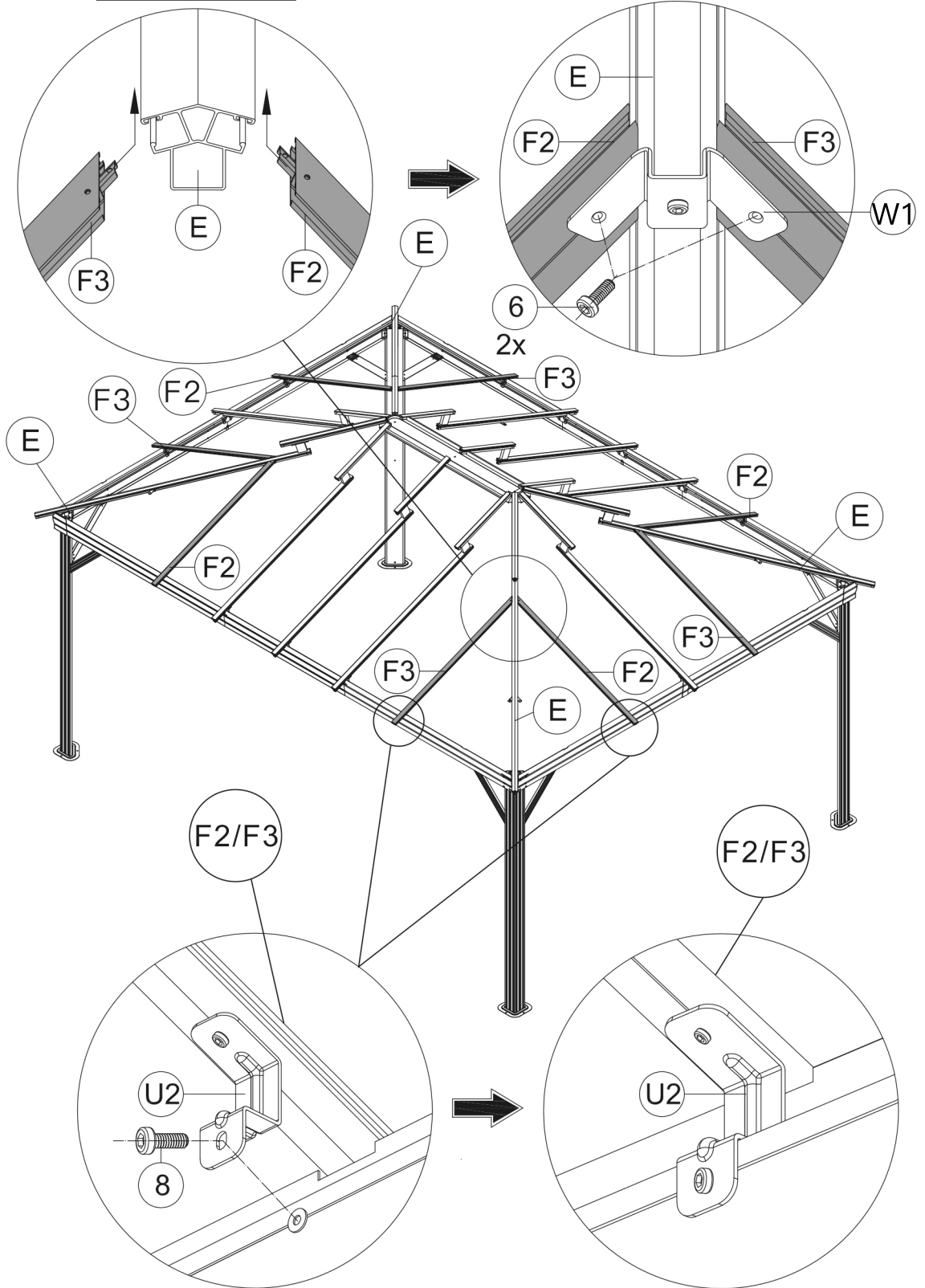


M6x16

8 8x

Outside View

Inside View



(2) Connect Part #F2/F3 and the Assembled Beam
with Part #U2; secure with Bolts #8.

(3) Repeat the above procedures to assemble
the other three sides.

✓ S4

(1) Insert Part #F and Part #F1 into Part #E;
secure with 2 Bolts #6.

1 1x



M5x12

6 8x

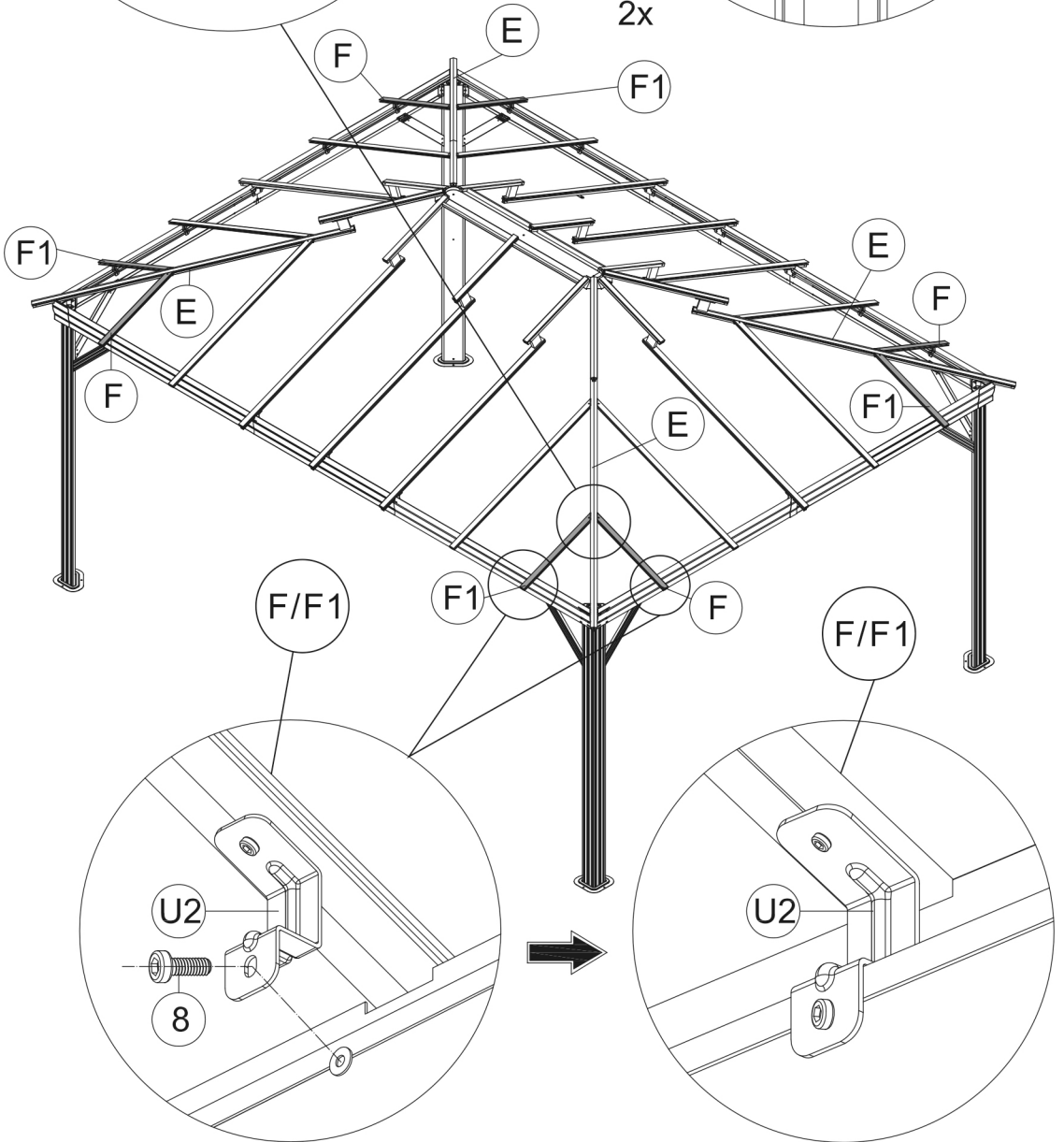
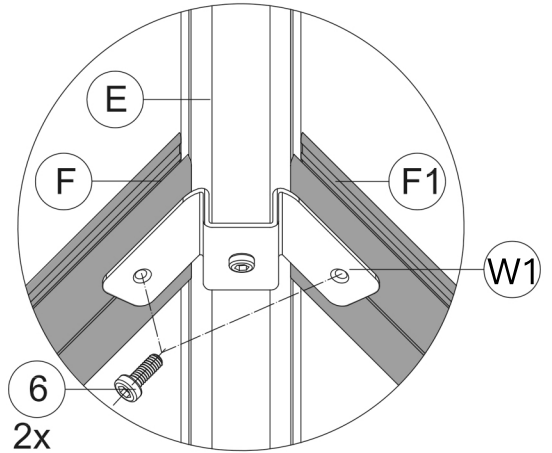
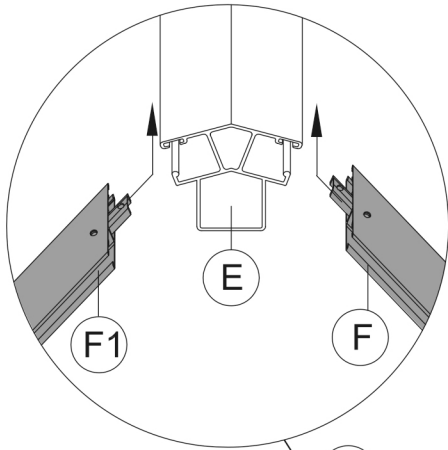


M6x16

8 8x

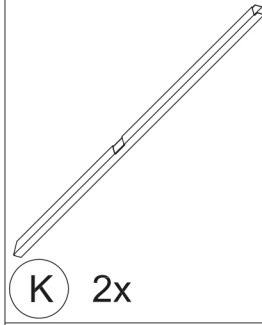
Outside View

Inside View

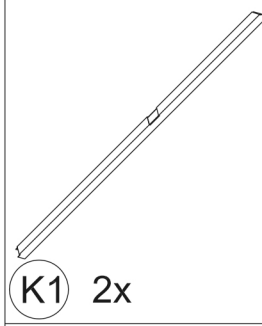


(2) Connect Part #F/F1 and the Assembled Beam
with Part #U2; secure with Bolts #8.

(3) Repeat the above procedures to assemble
the other three sides.



K 2x



K1 2x



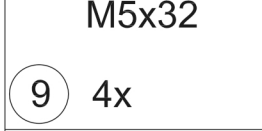
S4



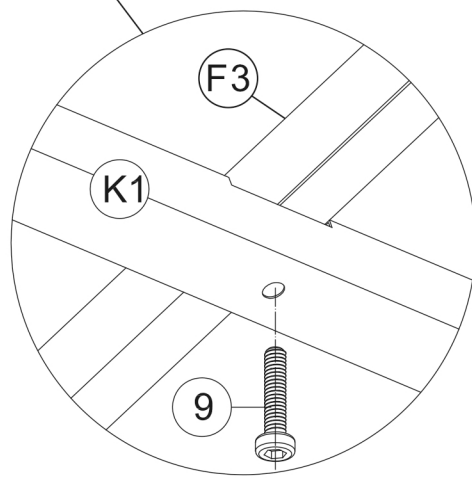
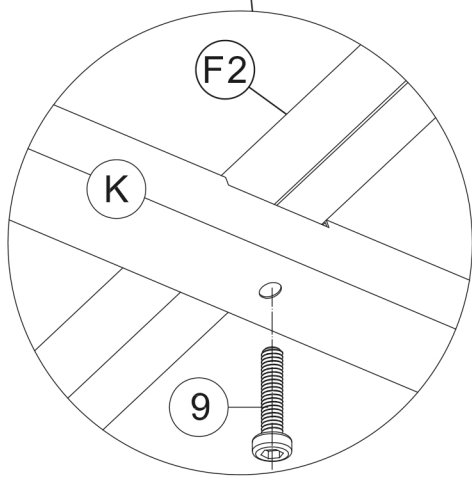
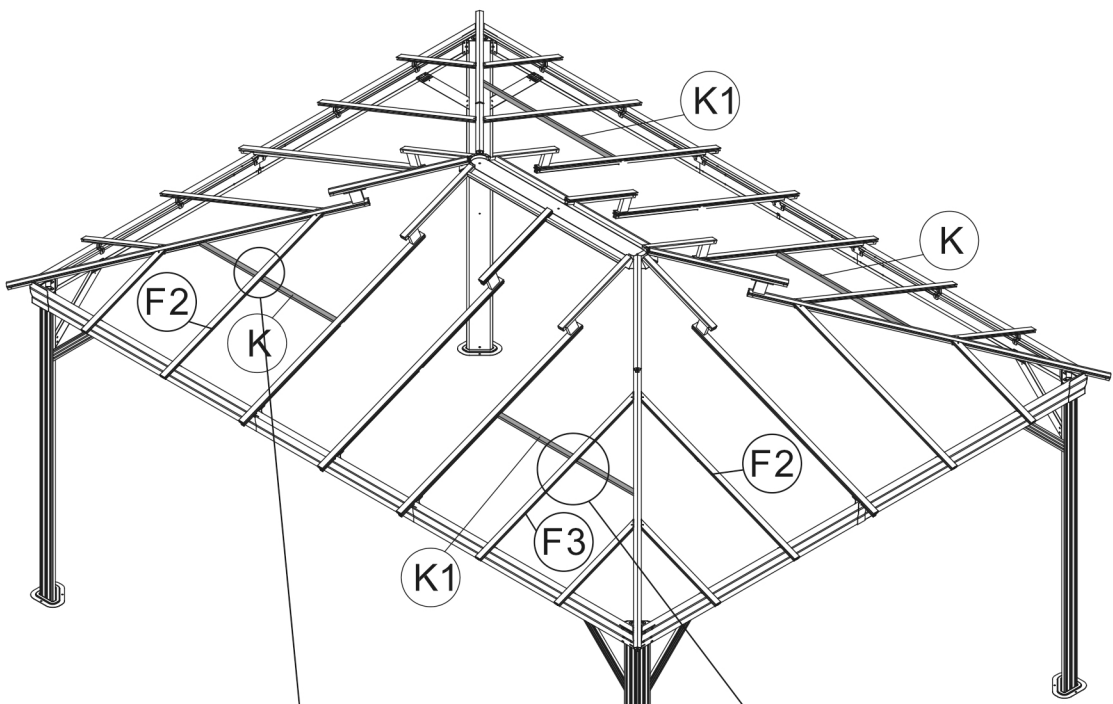
1 1x



M5x32



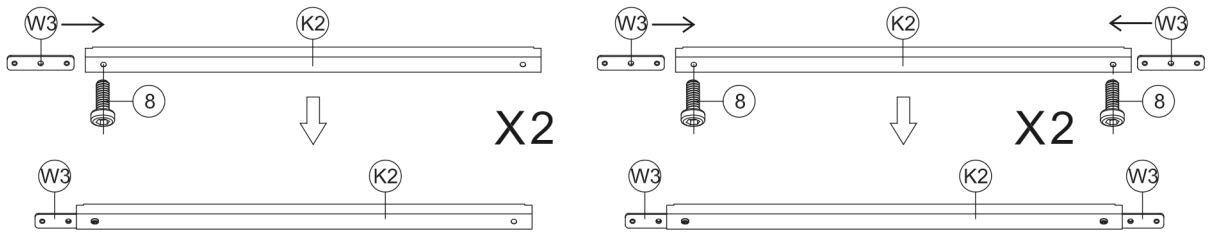
9 4x



Inside View

(1) Attach Part #K/K1 to Part #F2/F3 with Bolts #9.

(2) Insert Part #W3 to K2 and secure with Bolts #8.



K 2x

K1 2x

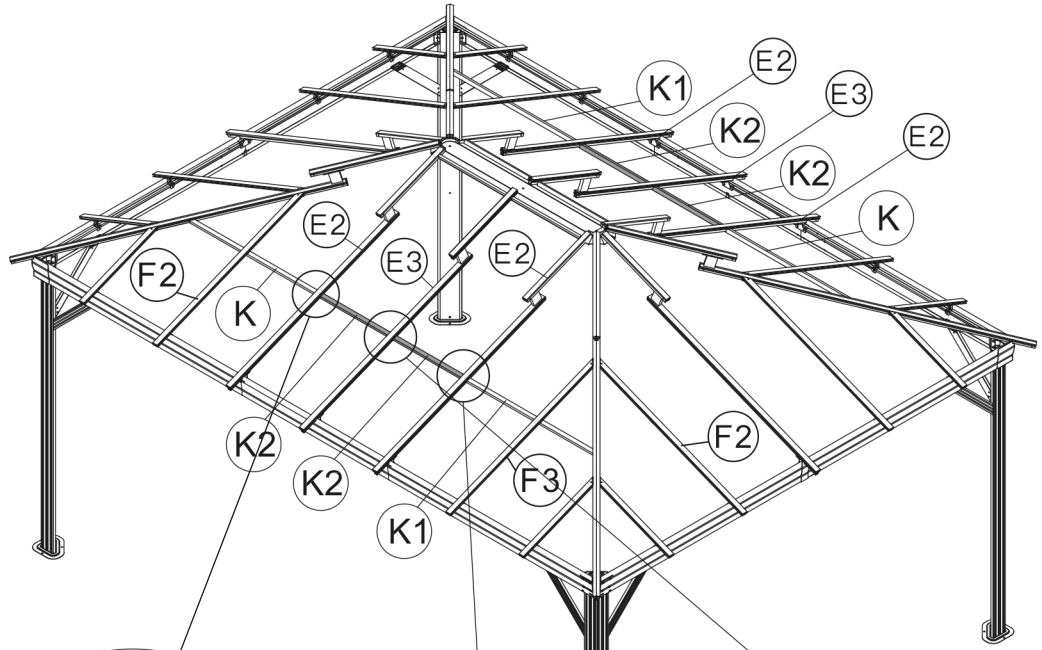
K2 4x

W3 6x

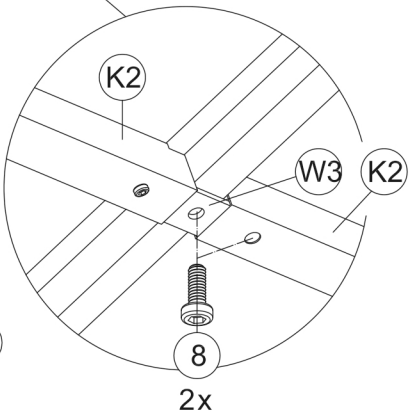
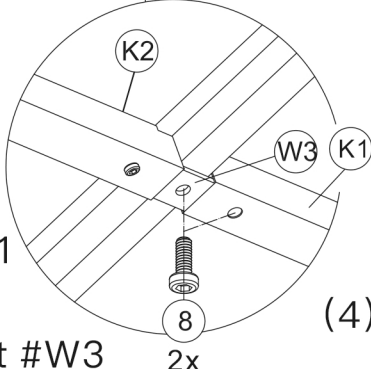
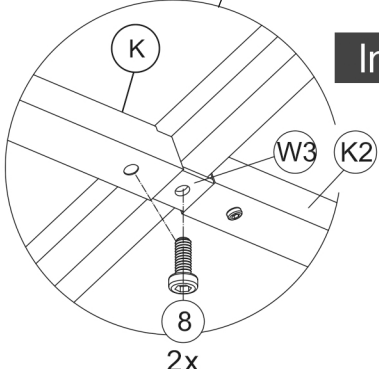
1 1x

M6x16

8 18x



Inside View

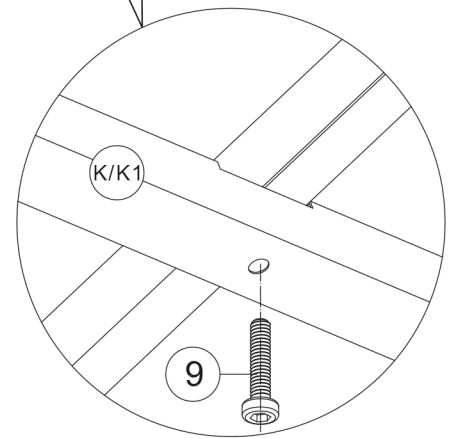
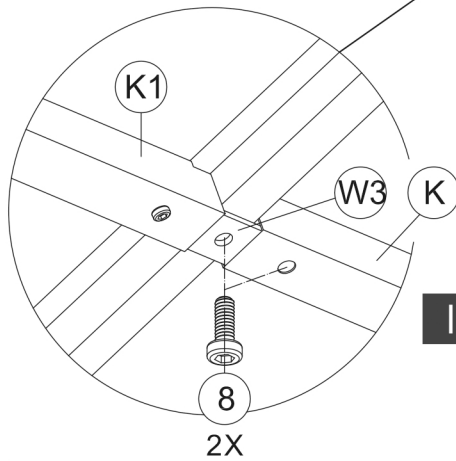
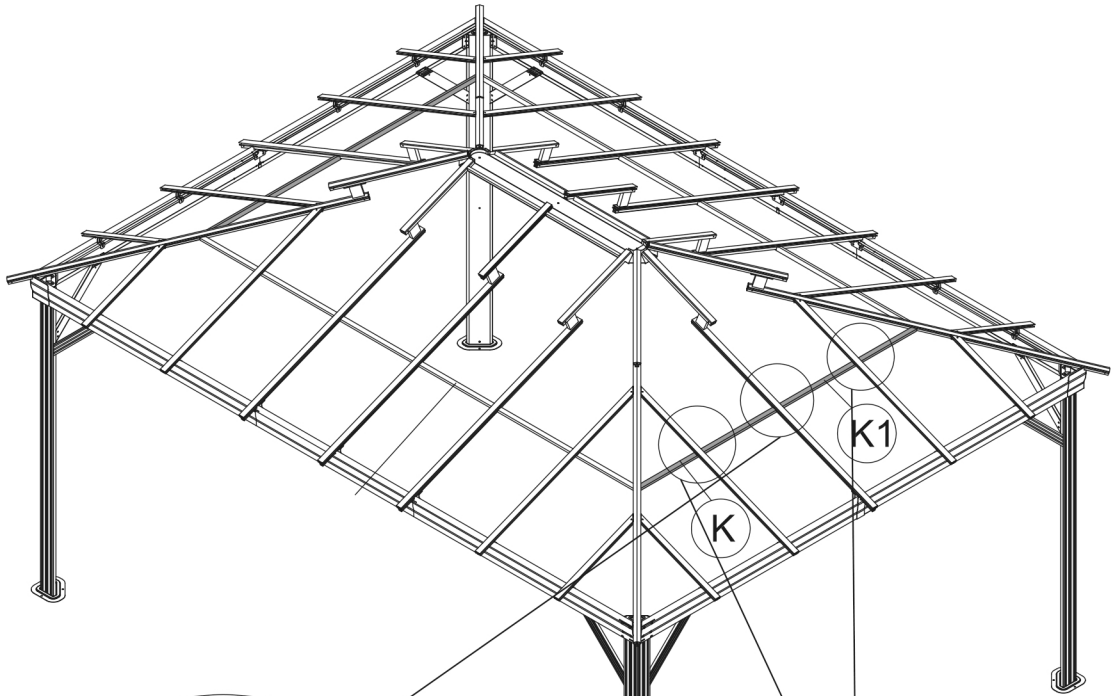
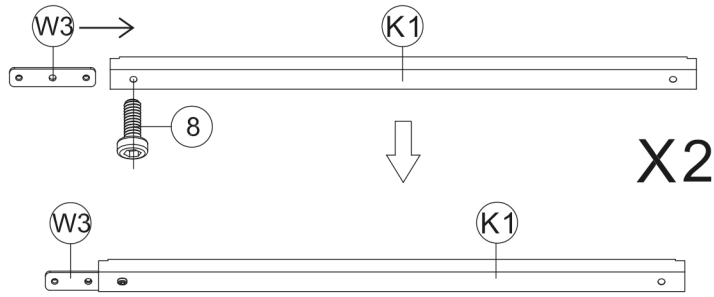


(3) Attach Part #K/K1 and Part #K2 to Part #E2 with Part #W3 and 2 Bolts #8.

(4) Attach Part #K2 and Part #K2 to Part #E3 with Part #W3 and 2 Bolts #8.

(5) Repeat the above procedures to assemble another side.

(1) Insert Part #W3 to K2 and secure with Bolts #8.



(2) Attach Part #K and Part #K1 to Part #E3 with Part #W3 and Bolts #8.

(3) Connect Part #K/K1 and Part #F2/F3 with Bolts #9.

(4) Repeat the above procedures to assemble another side.

K 2x

K1 2x

W3 2x

1 1x

8 6x

9 4x

M6x16

M5x32

S4

Inside View

2X