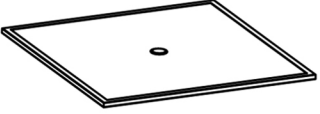

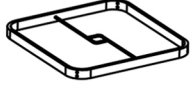







## **Patio Square Dining Table Assembly Manual**



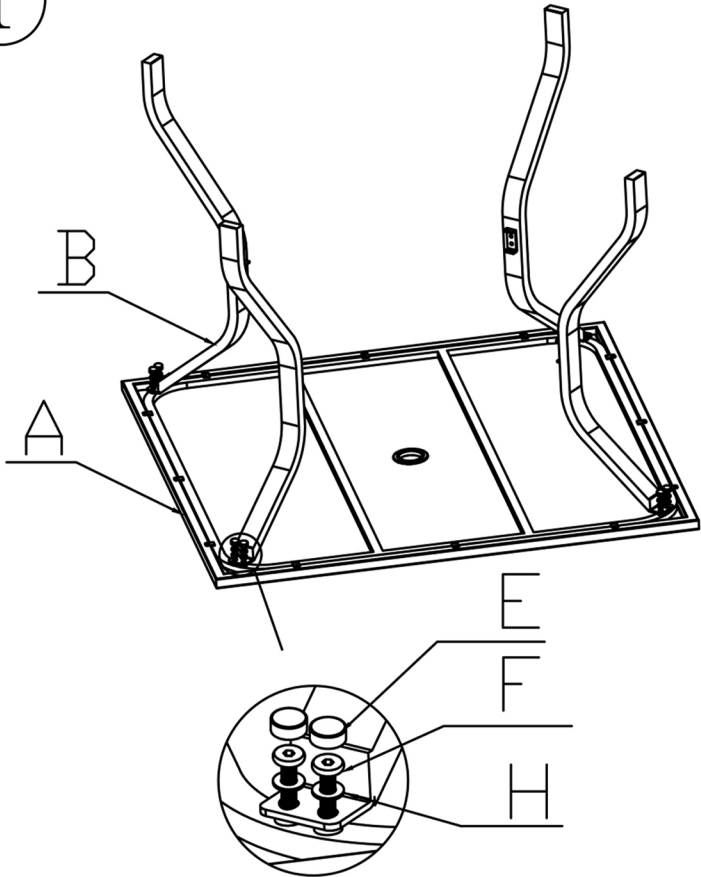
- Prior to assembly, please confirm all of the parts listed included.
- All bolts should be tightened before use. Maybe, you need allen wrench for assembly.

# Parts List:

<b>(A)</b>  1X	<b>(B)</b>  4X	<b>(C)</b>  1X	<b>(D)</b>  1X
<b>(E)</b>  16X	<b>(F)</b>  M6*16 8X	<b>(G)</b>  M6*25 8X	<b>(H)</b>  16X

## Step 1:

**1**

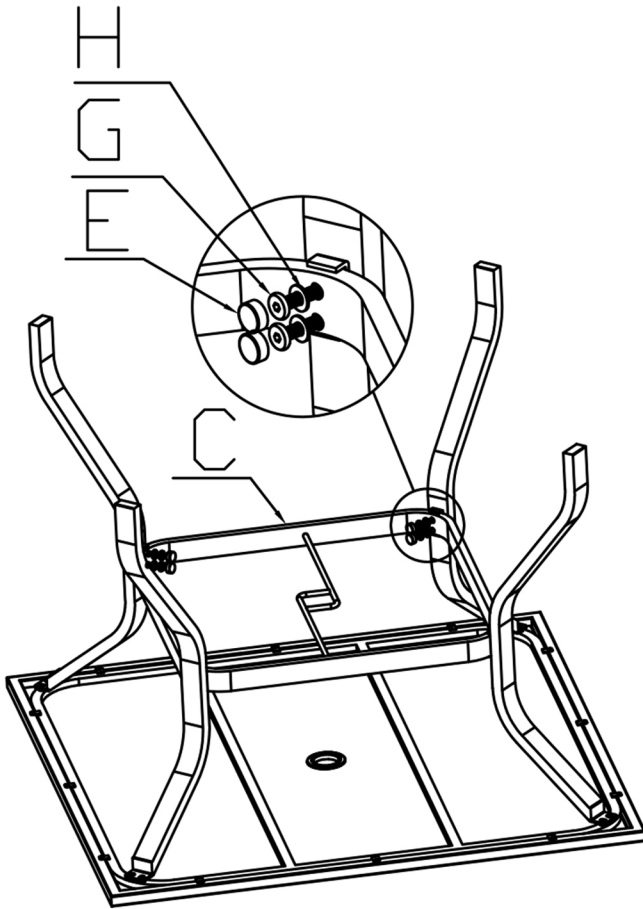


Assemble Part B( Legs ) to Part A(table top) with Part E,Part F and Part H as shown in the diagram.

Notice: Please don't tighten the screws before assemble Part C.

# Step 2:

2



Assemble Part C to the Part B(legs) with Part H,Part G and Part E.Then tighten the screws before using.

3

