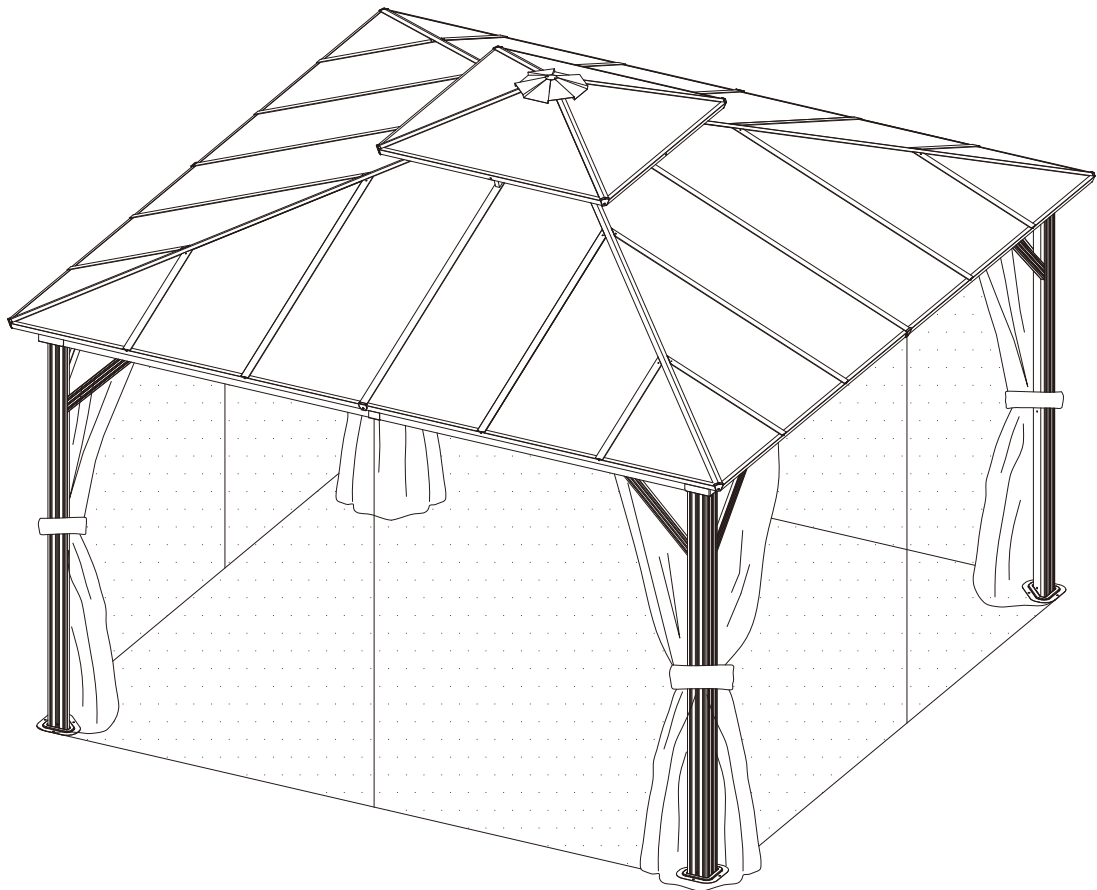


12'×12' HARDTOP ALUMINUM
POLYCARBONATE GAZEBO

ASSEMBLY MANUAL



MODEL#: LGFP1581

Pre-assembly



1. Two or more people are required for assembly.



2. You will need one or more stepladders.



3. Wearing protective gloves is recommended.



4. You may need a safety hat.



5. Please use a Phillips screw driver.



6. For ease of construction, you may need a drill.



7. You may need a safety goggle.



8. Do not fully tighten screws prior to complete assembly.

Warning & Attention

-Try to assemble this product on the flat ground, otherwise it is difficult to carry out;

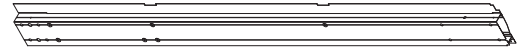
-It would be much easier to assemble the product with three or more people;

-After assembly, please check whether all screws are tightened, to prevent parts from falling apart.

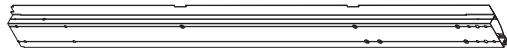
▲ Use bolts to secure the frame to the ground to against the strong wind.



A 4x Pole



C 4x Beam



C1 4x Beam



E 4x Corner Roof Bar



E1 4x Corner Roof Bar Connector



E2 4x Roof Bar



F 4x Corner Roof Solidifying Bar



F1 4x Corner Roof Solidifying Bar



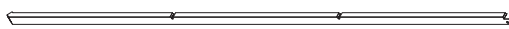
F2 4x Corner Roof Solidifying Bar



F3 4x Corner Roof Solidifying Bar



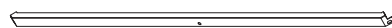
G 4x Finishing Bar



G1 4x Finishing Bar



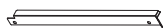
H2 4x Finishing Bar



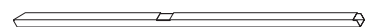
J 4x Finishing Bar

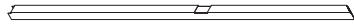


J1 4x Finishing Bar

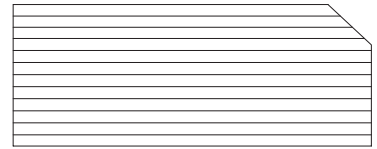


K 4x Solidifying Bar

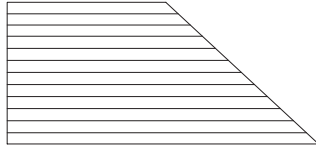




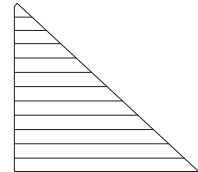
K1 4x Solidfying Bar



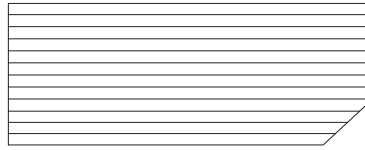
L 4x Roof Panel



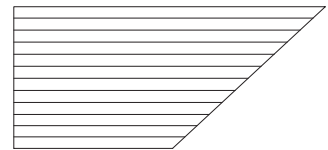
L1 4x Roof Panel



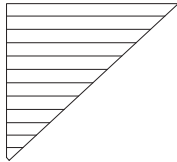
L2 4x Roof Panel



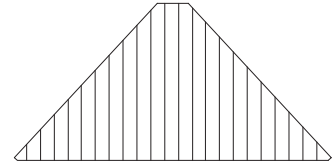
N 4x Roof Panel



N1 4x Roof Panel



N2 4x Roof Panel



P2 4x Roof Panel



Q1 4x Plastic Bar



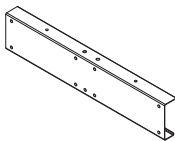
B 4x Base



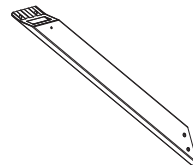
B1 8x Joint Cover



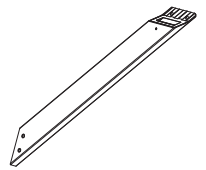
B2 8x Joint Cover



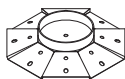
C2 4x Union Bar



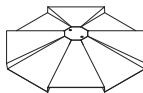
R 4x Corner Solidfying Bar



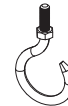
R1 4x Corner Solidfying Bar



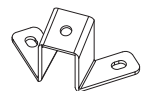
S 1x Inside Roof Connector



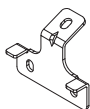
S1 1x Outside Roof Connector



T 1x J-Hook



U 4x Bracket



U1 4x Bracket



U2 16x Bracket



V 112x Hook



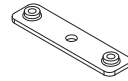
W 4x Bracket



W1 8x Bracket



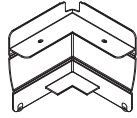
W2 4x Bracket



W3 4x Joint Cover



X 4x Joint Cover



X1 4x Corner Cover



X2 8x Spacer



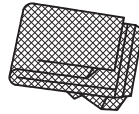
Y 8x Finishing End



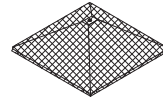
Y1 12x Finishing End



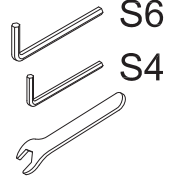
Z 4x Solid Sidewall



Z1 4x Mosquito Sidewall



Z2 1x Mesh



1 1x



ST4.2x12

2 8x



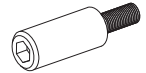
ST5x16

3 16x



M6x15

4 16x



M6x15

5 16x



M5x12

6 64x



M6x12

7 8x



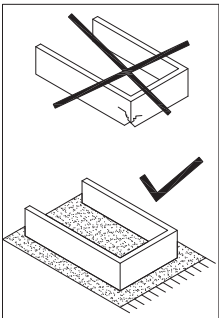
M6x16

8 232x



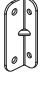
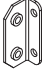

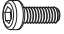



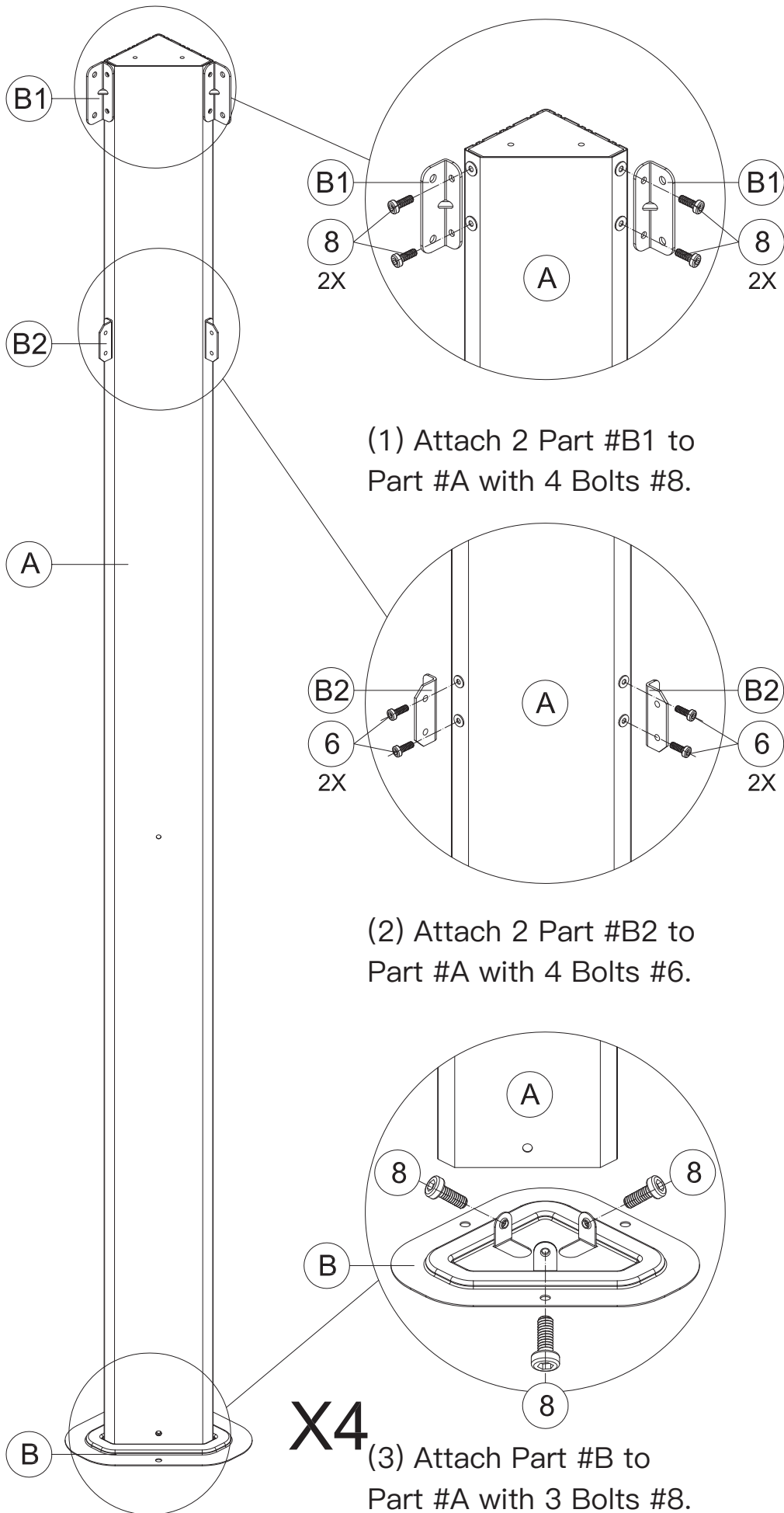
M5x32

9 8x

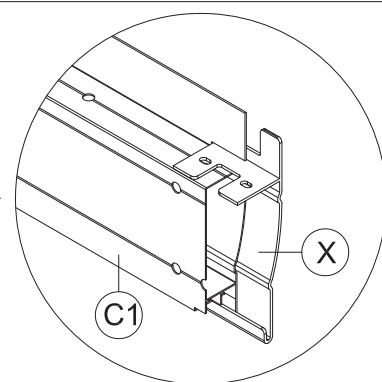
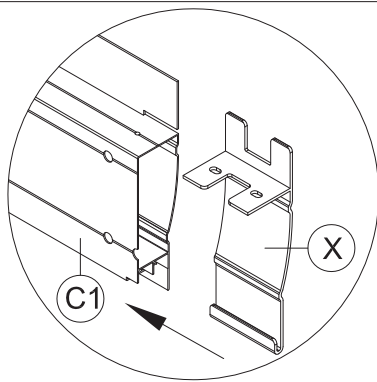
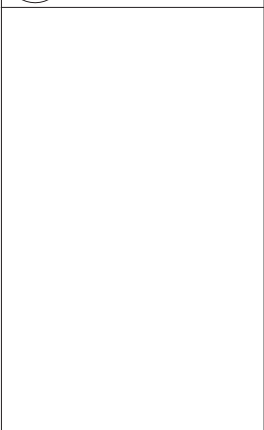
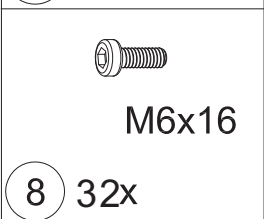
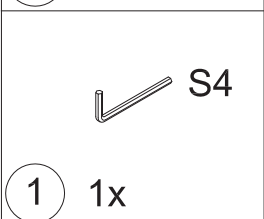
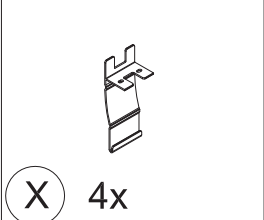
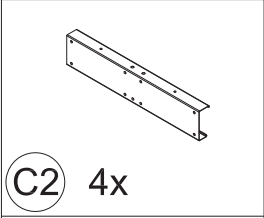
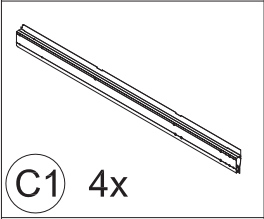
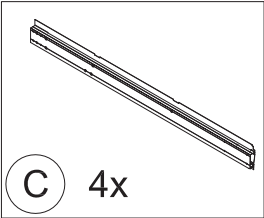


3

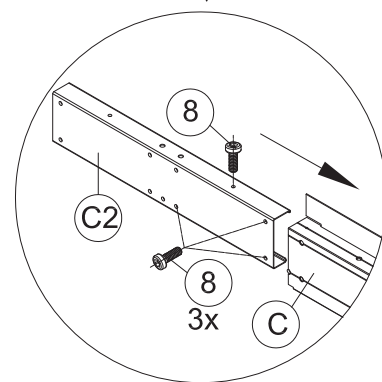
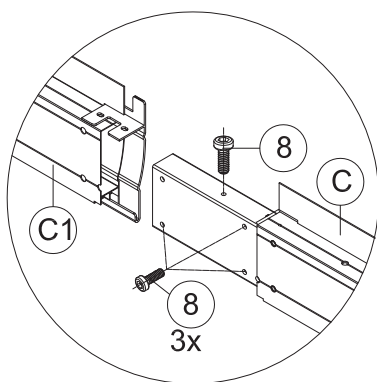
	A 4x
	B 4x
	B1 8x
	B2 8x
	1 1x
	6 16x M5x12
	8 28x M6x16
4	



(4) Repeat the above procedures to assemble the other three Part #A.

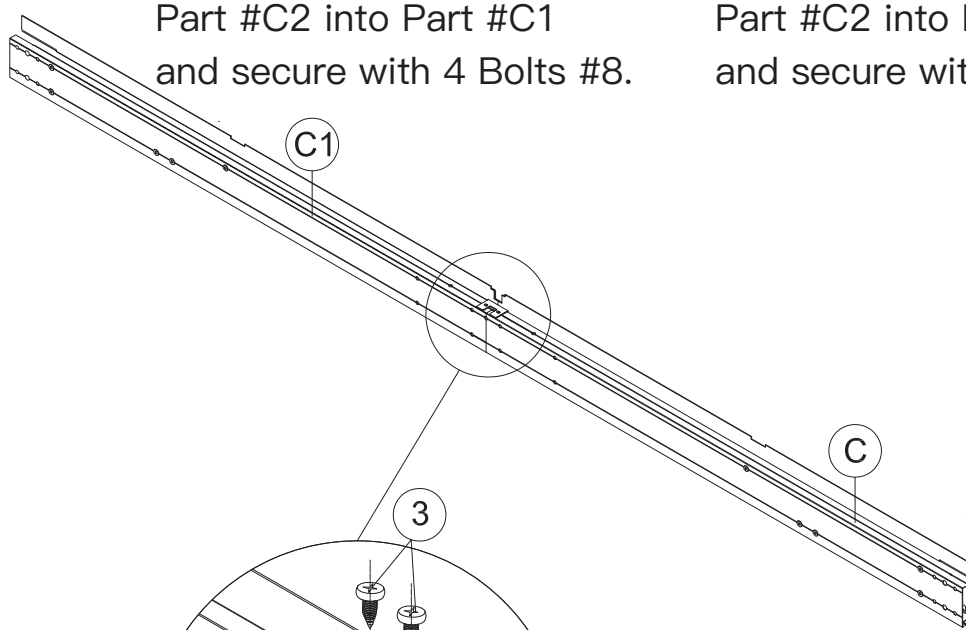


(1) Insert Part #X into Part #C1.



(3) Insert the other side of Part #C2 into Part #C1 and secure with 4 Bolts #8.

(2) Insert one side of Part #C2 into Part #C and secure with 4 Bolts #8.



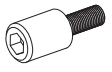
X4

(4) Secure Part #X with 2 Bolts #3.

(5) Repeat the above procedures to assemble the other three sides.

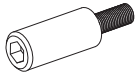


1 1x



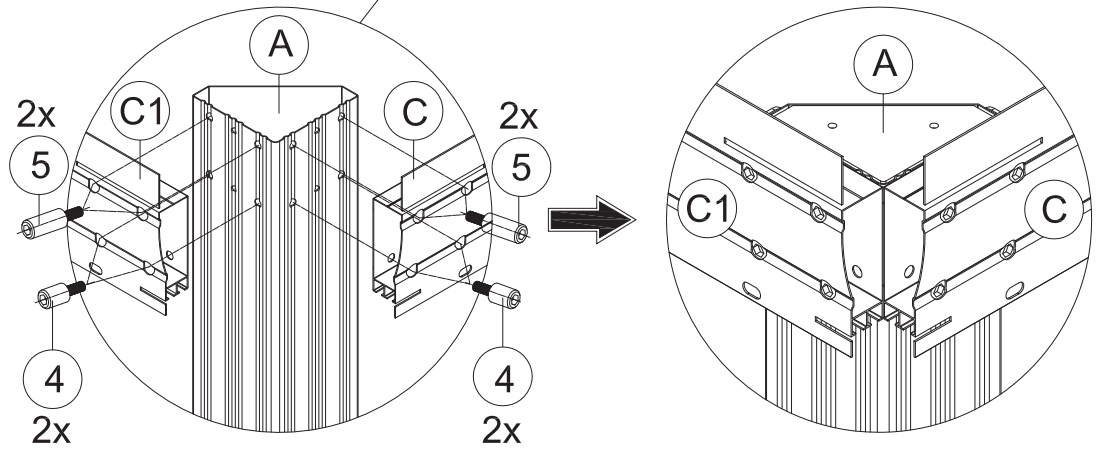
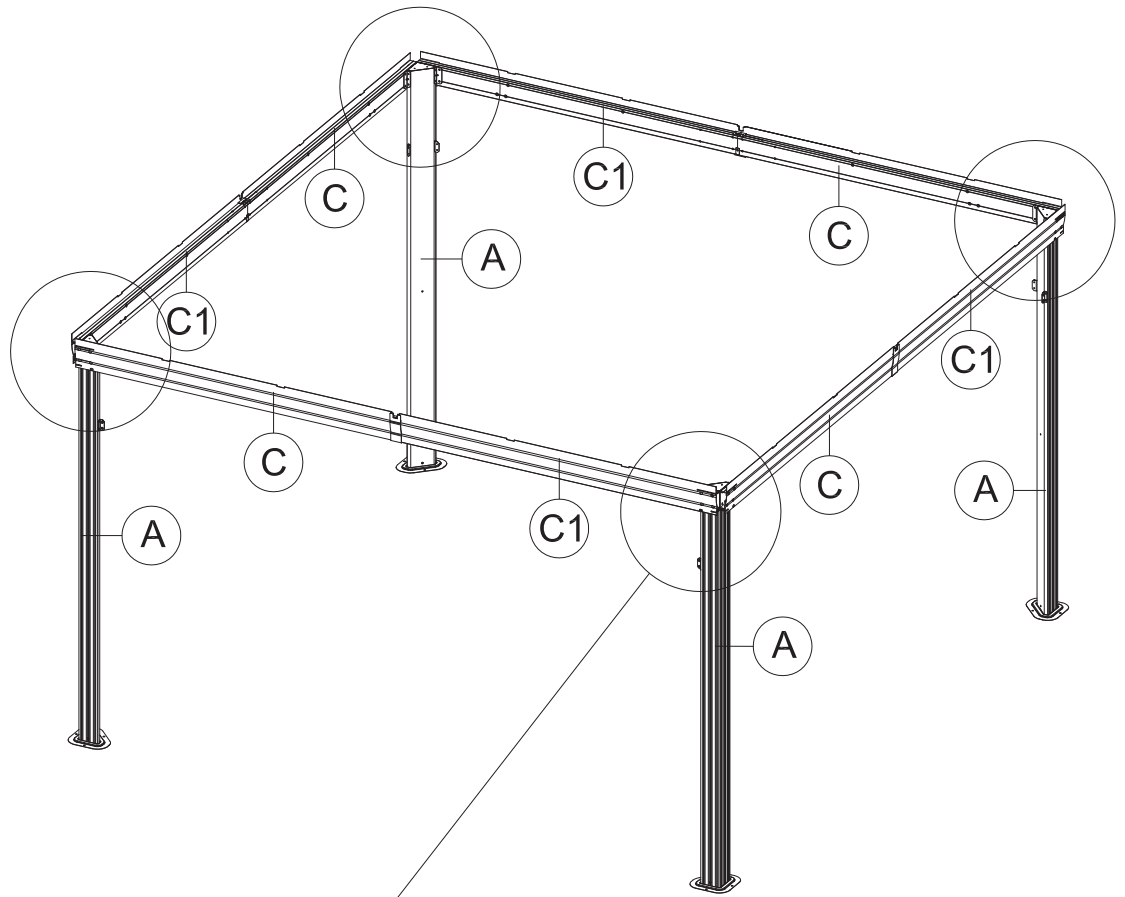
M6x15

4 16x



M6x15

5 16x



(1) Connect Part #C and #C1 to Part #A with 4 Bolts #4 and 4 Bolts #5 (From Outside).

(2) Repeat the above procedures to assemble the other three sides.

▲ Please don't tighten all the bolts.

✓ S4

1 1x

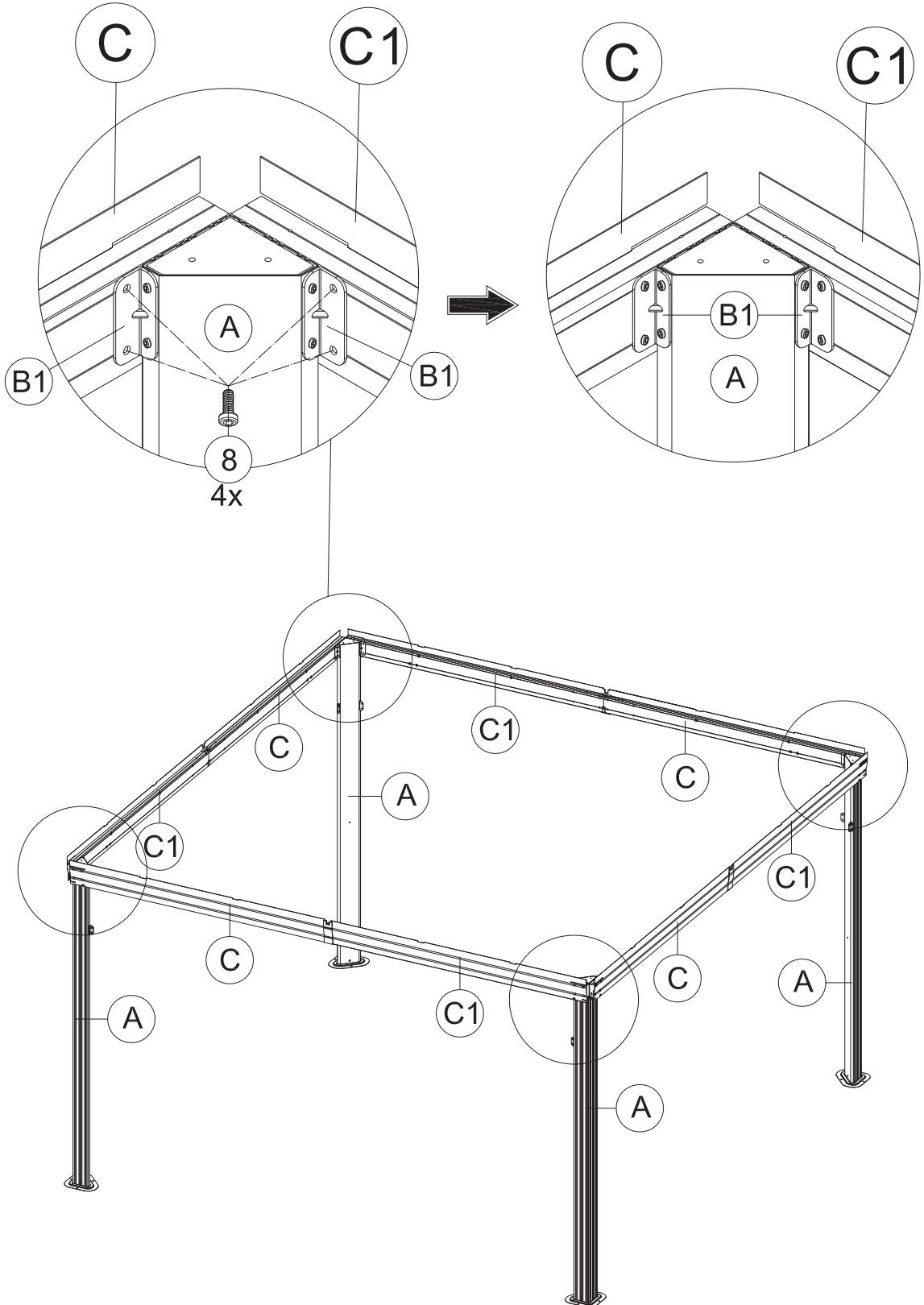


M6x16

8 16x

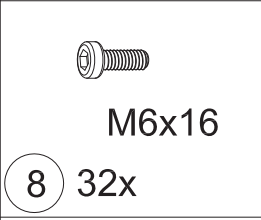
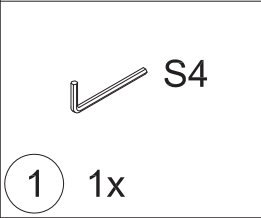
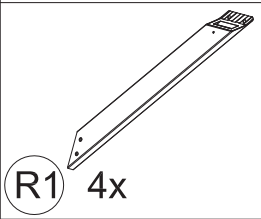
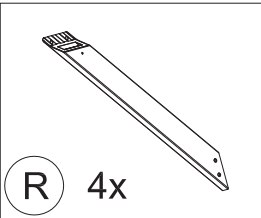
(1) Connect Part #C and #C1 to Part #A with 4 Bolts #8. (From Inside)

(2) Repeat the above procedures to assemble the other three sides.



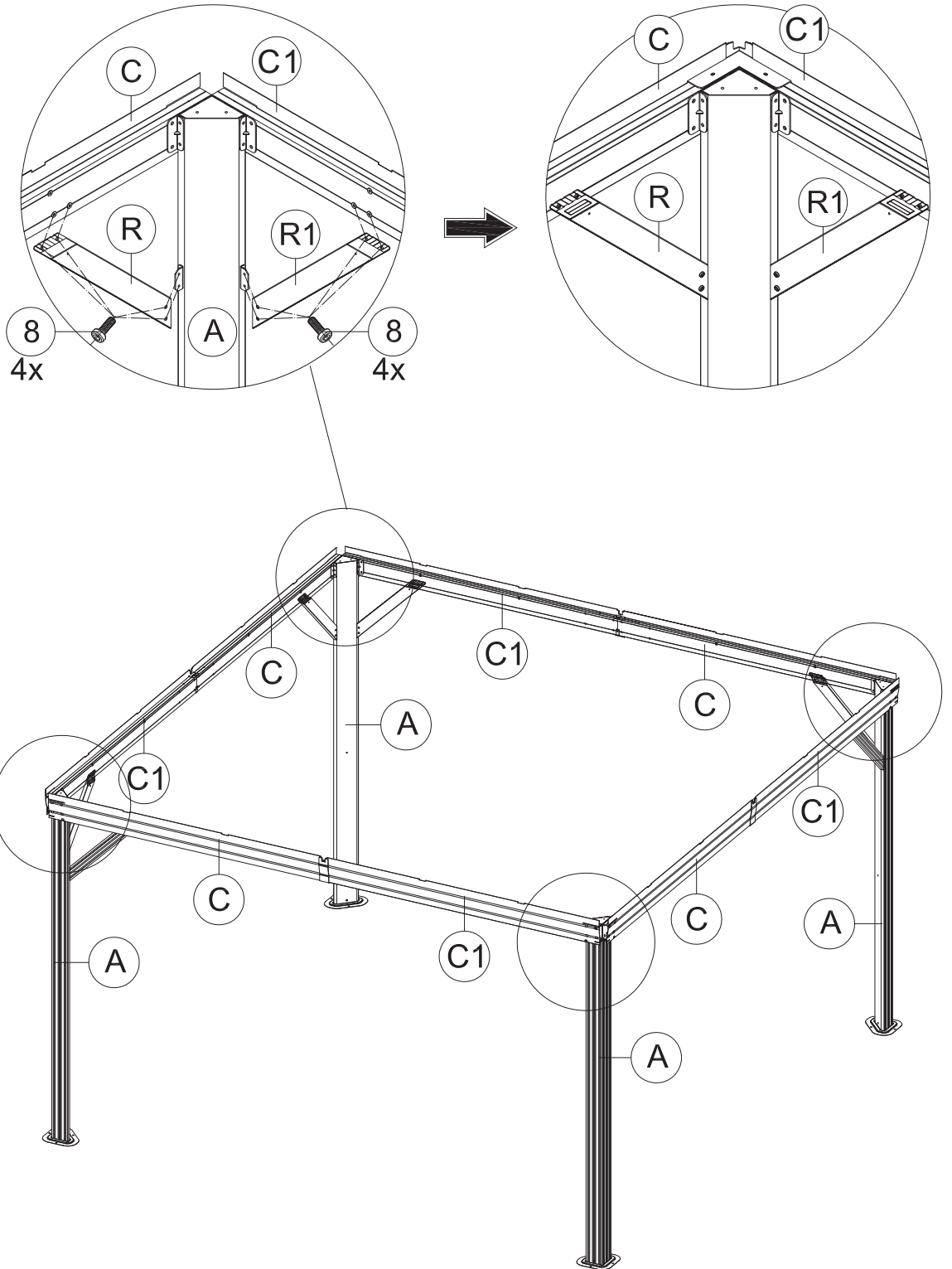
7

▲ Please don't tighten all the bolts.



(1) Affix Part #R and #R1 to the frame with 8 Bolts #8.

(2) Repeat the above procedures to assemble the other three sides.



▲ Please don't tighten all the bolts.



X1 4x



X2 8x



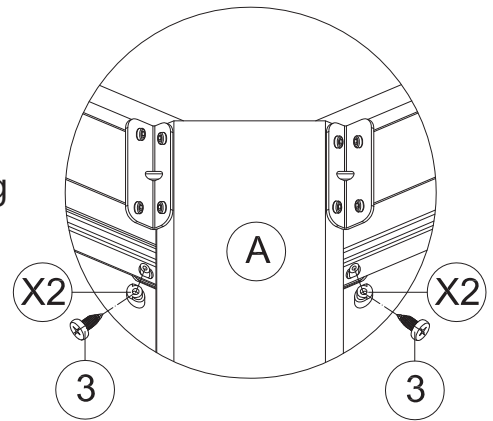
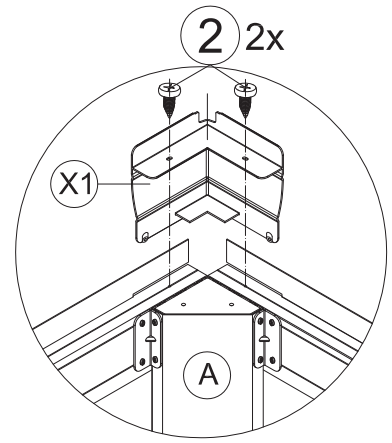
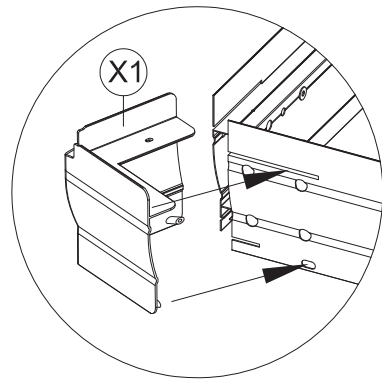
ST4.2x12

2 8x



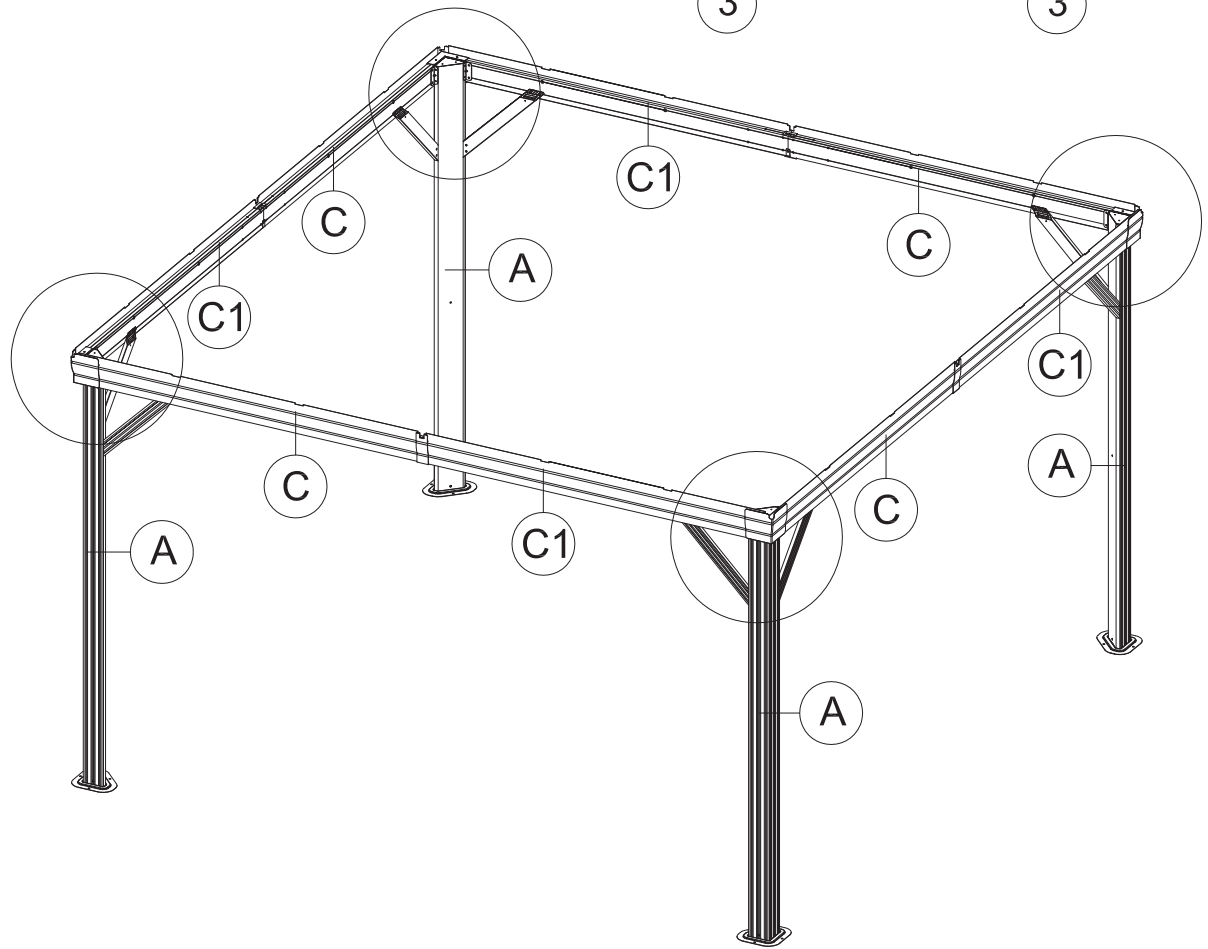
ST5x16

3 8x



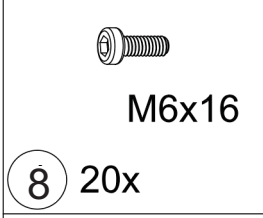
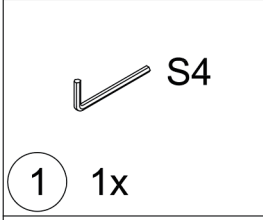
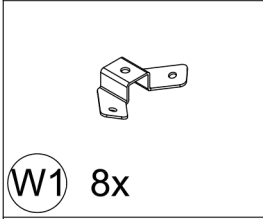
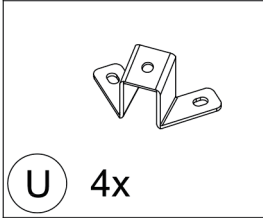
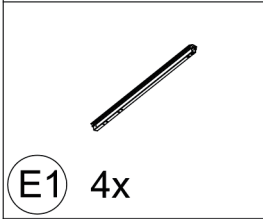
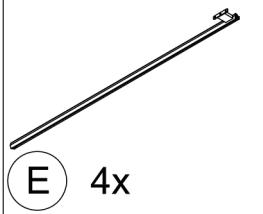
(1) Cover the corner with Part #X1 and secure with 2 Bolts #2.

(2) Put Part #X2 on the protruding place and secure with 2 Bolts #3.



(3) Repeat the above procedures to assemble the other three sides.

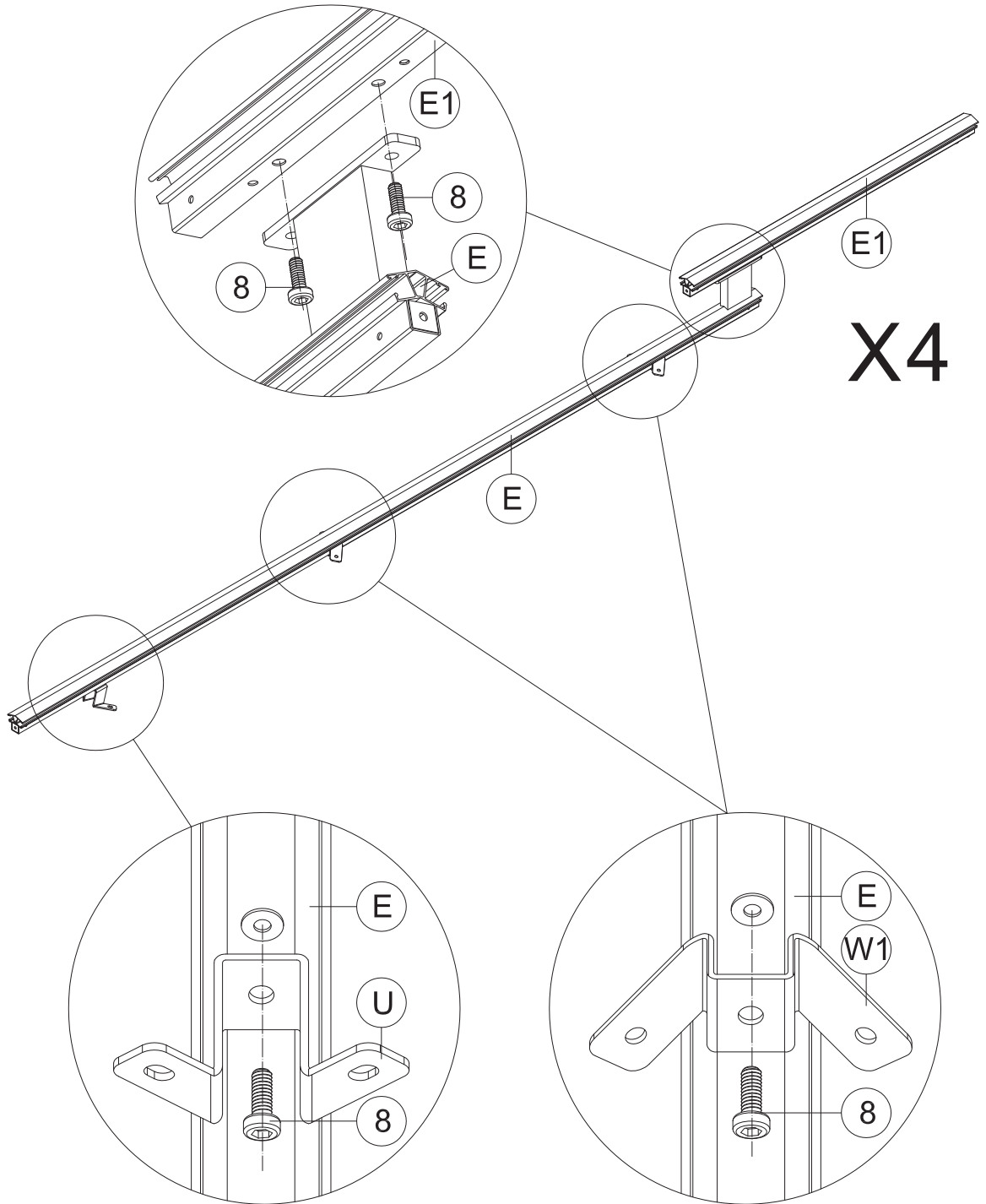
▲ Tighten all the bolts.



10

Assemble the 4 Corner Roof Bars:

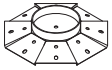
(1) Connect Part #E1 and Part #E with 2 Bolts #8 .



(2) Attach Part #U to Part #E with Bolts #8.

(3) Attach 2 Part #W1 to Part #E with 2 Bolts #8.

(4) Repeat the above procedures to assemble the other sides.



S 1x



1 1x



M6x16

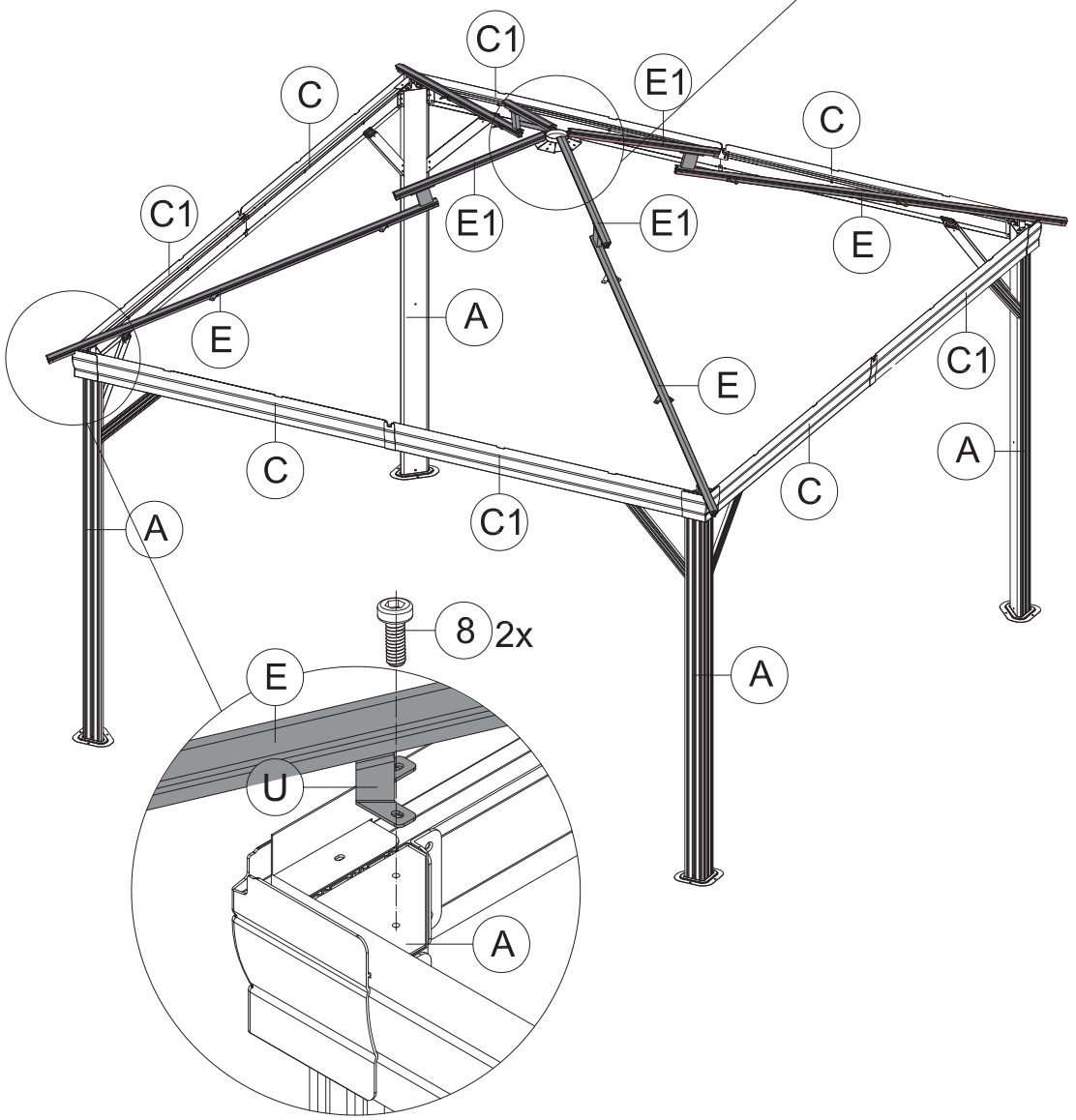
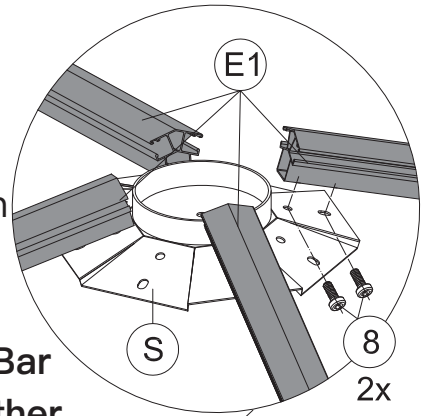
8 16x

(1) Please have a freestanding ladder ready at the center of the gazebo.

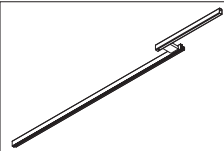
(2) Place 4 Part #E1 on Part #S; secure with 8 Bolts #8 (from bottom to top).

ATTENTION: You can also finish this step on the ground and then lift 4 Corner Roof Bar and Inside Roof Connector to the top together. (Need 2 people and 2 ladders)

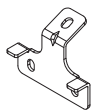
Outside View



(3) Place 4 Part #E on 4 Part #A; secure with 8 Bolts #8.



E2 4x



U1 4x



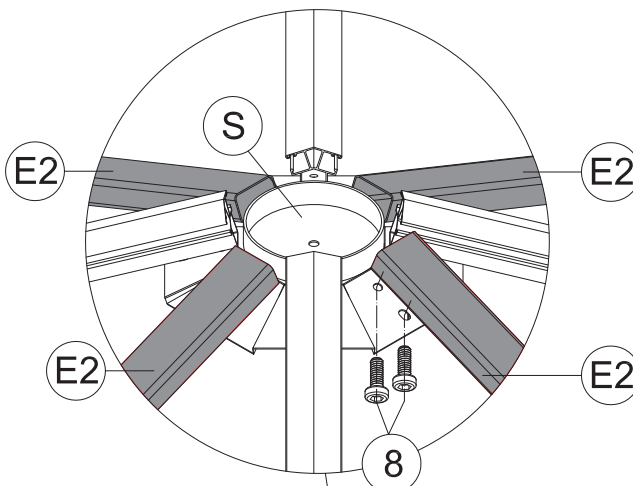
1 1x



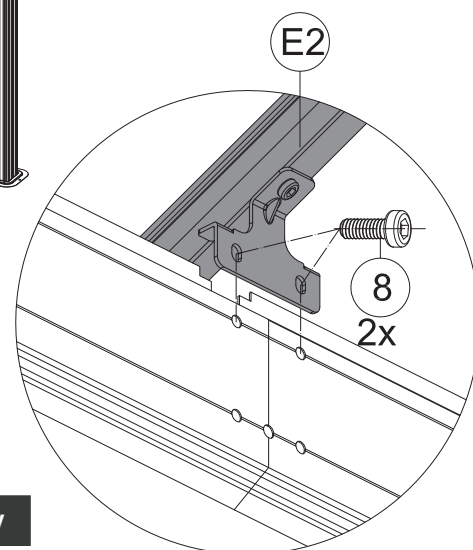
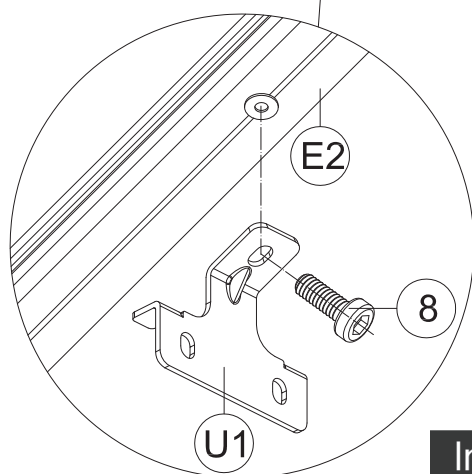
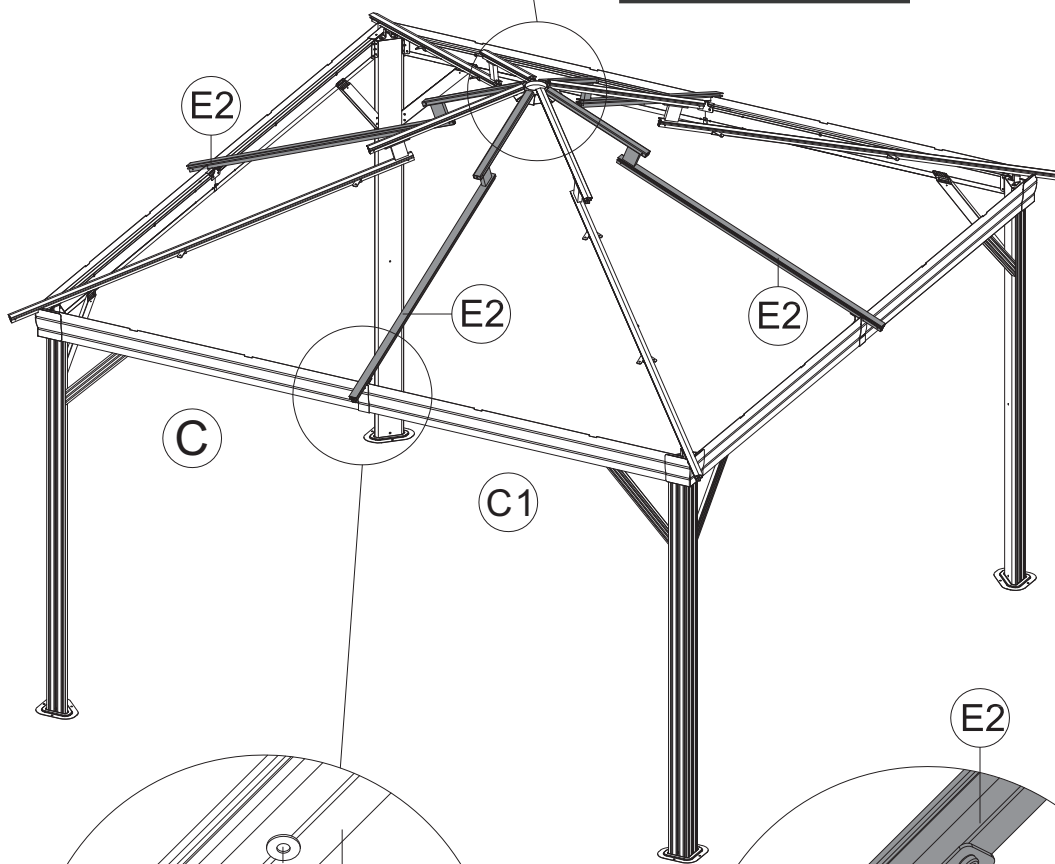
M6x16

8 20x

(1) Place Part #E2 on Part #S;
secure with 2 Bolts #8(from bottom to top).



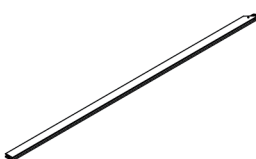
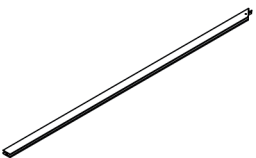

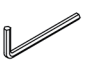



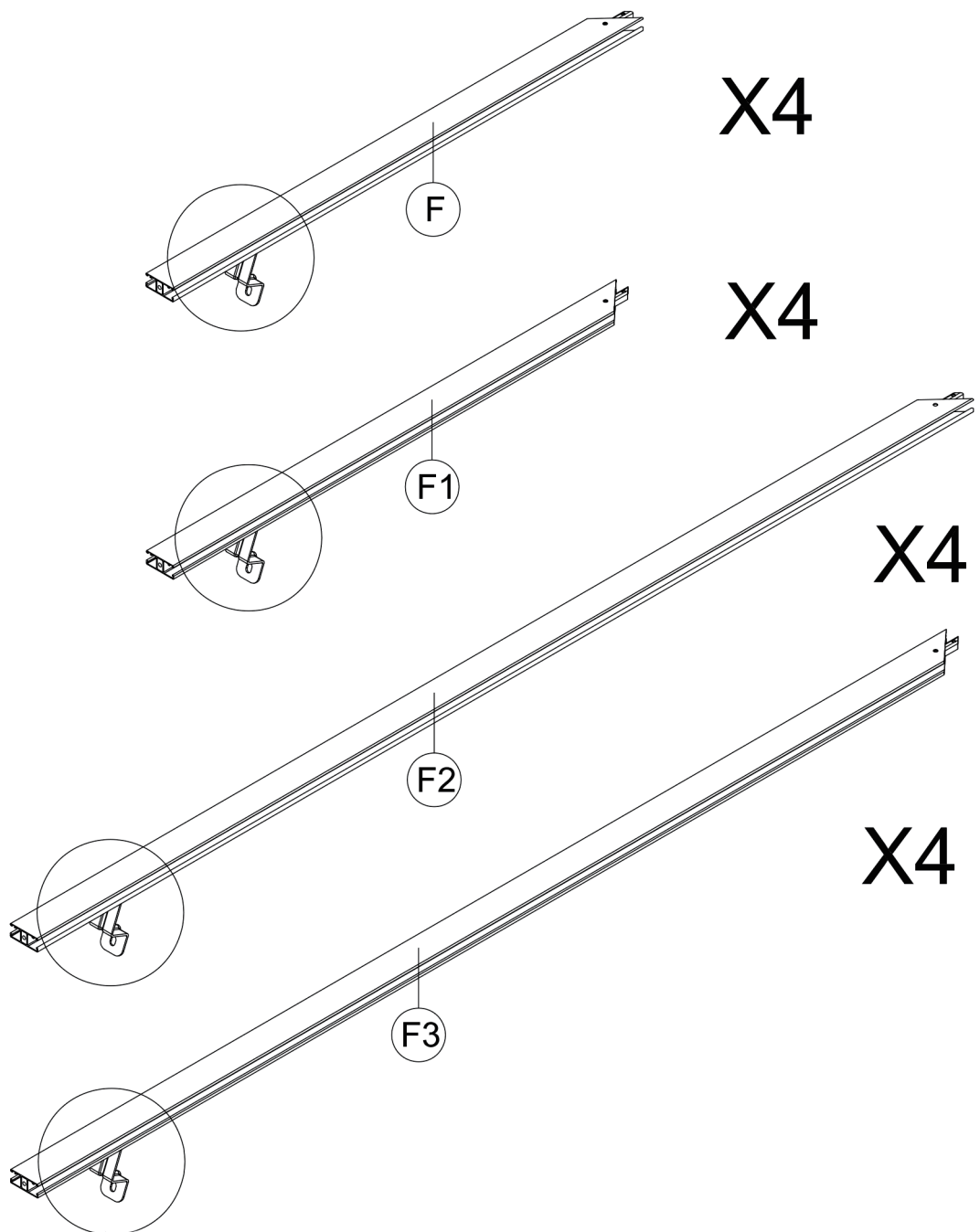
Outside View



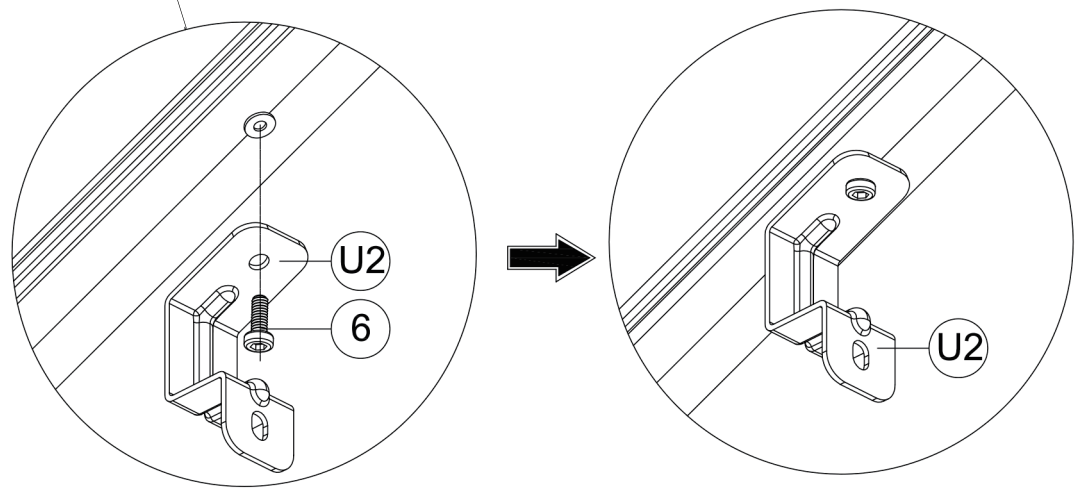
Inside View

(2) Connect Part #E2 and the Assembled Beam (C&C1)
with Part #U1. Secure with 3 Bolts #8.
(3) Repeat the above procedures to assemble the other three side.


F 4x

F1 4x

F2 4x

F3 4x

U2 16x

S4
1 1x

M5x12
6 16x
13



(1) Attach Part #U2 to Part #F/F1/F2/F3 with Bolt #6.
 (2) Repeat the above procedures to assemble the other 3 pieces.





S4

1 1x



M5x12

6 16x

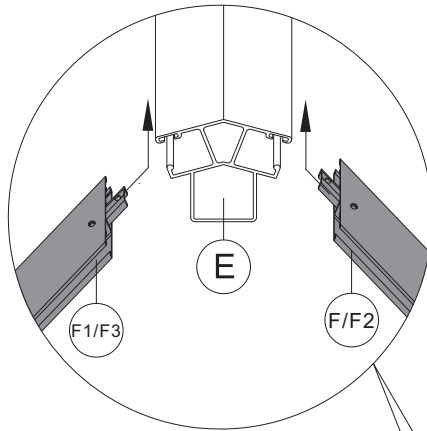


M6x16

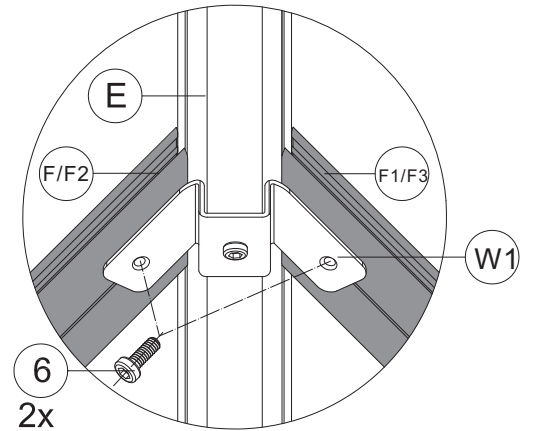
8 16x

(1) Insert Part #F2 and Part #F3 into Corner Roof Bar Part #E; secure with 2 Bolts #6.

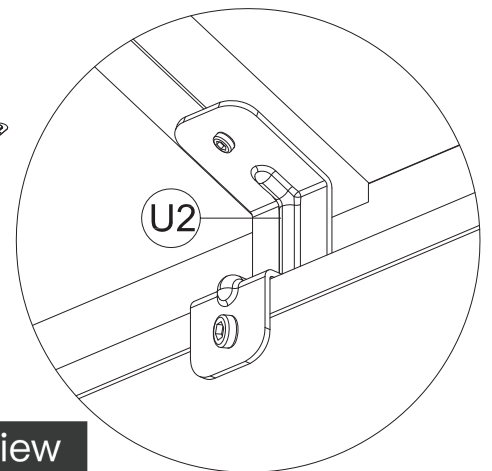
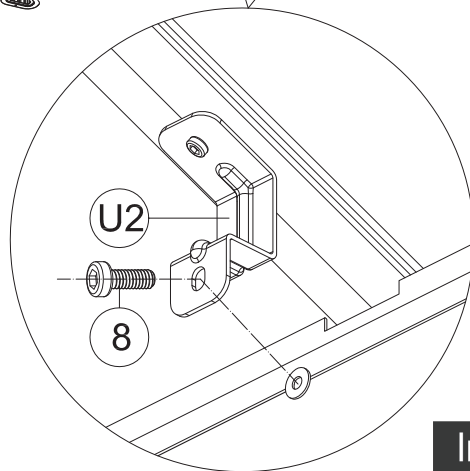
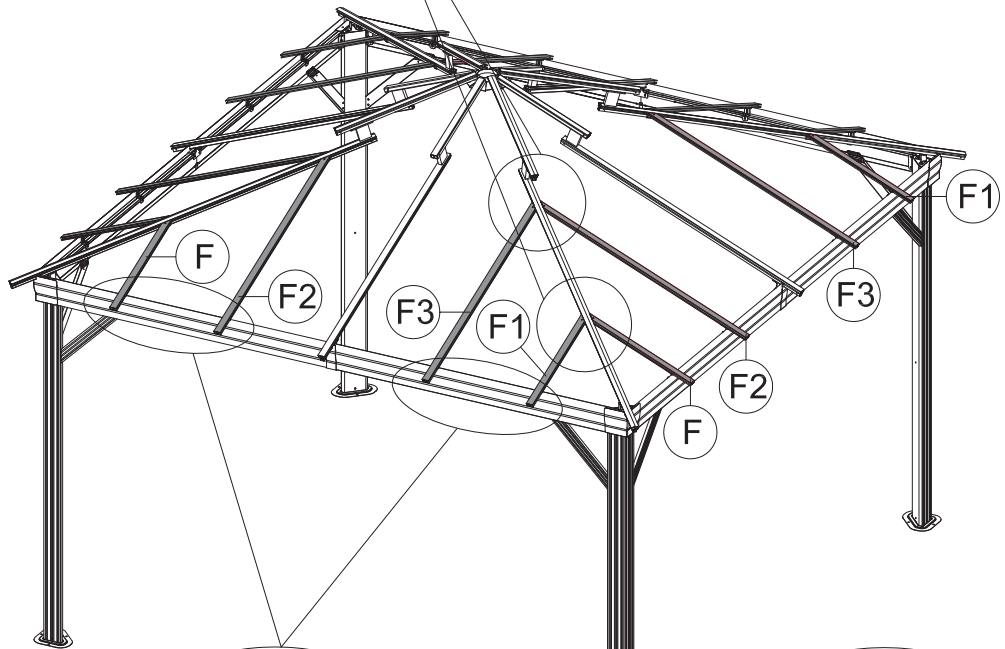
(2) Insert Part #F and Part #F1 into Corner Roof Bar Part #E; secure with 2 Bolts #6.



Outside View



Inside View

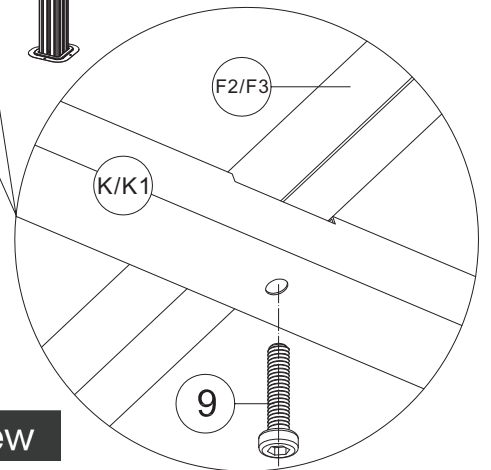
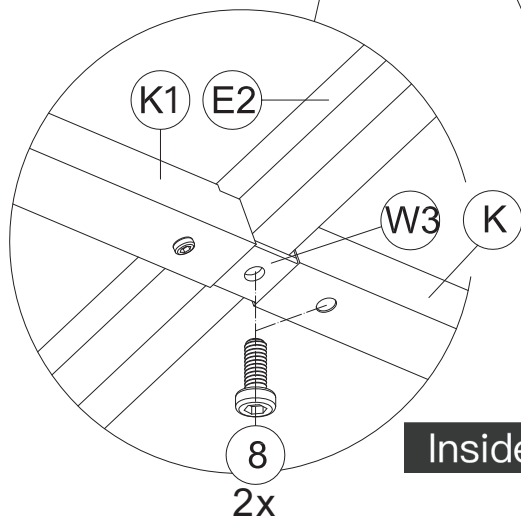
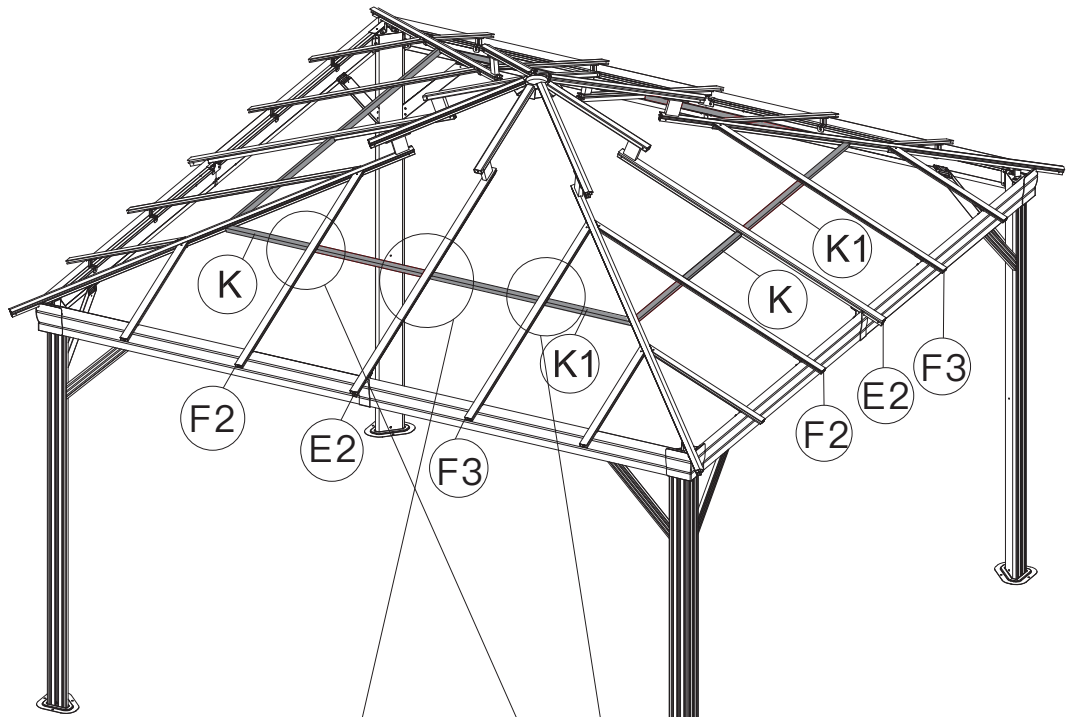
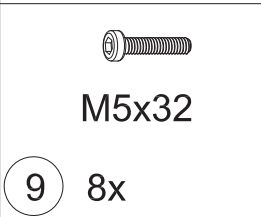
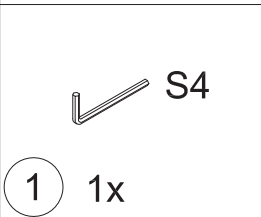
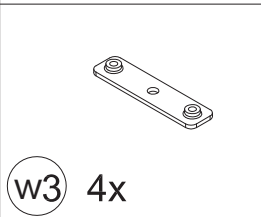
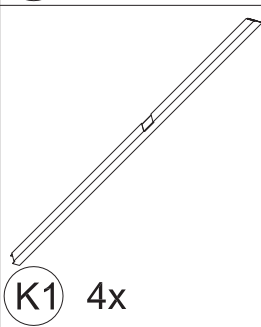
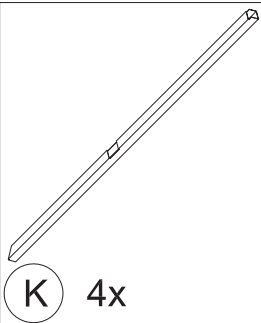
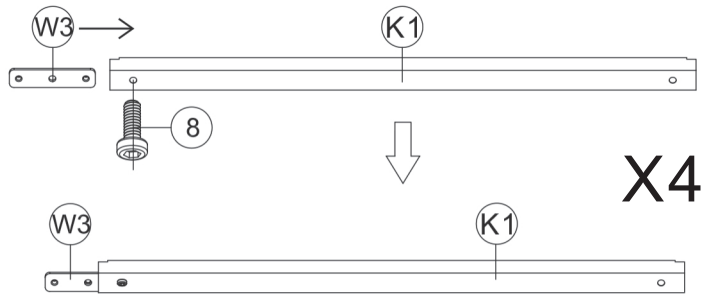


Inside View

(3) Connect Part #F/F1/F2/F3 and the Assembled Beam with Part #U2; secure with Bolt #8.

(4) Repeat the above procedures to assemble the other three sides.

(1) Insert Part #W3 to Part #K1 and secure with Bolt #8.



(2) Attach Part #K and Part #K1 with Part #W3 and 2 Bolts #8.

(3) Connect Part #K (K1) and Part #F2 (F3) with Bolt #9.

(4) Repeat the above procedures to assemble the other three sides.



W2 4x

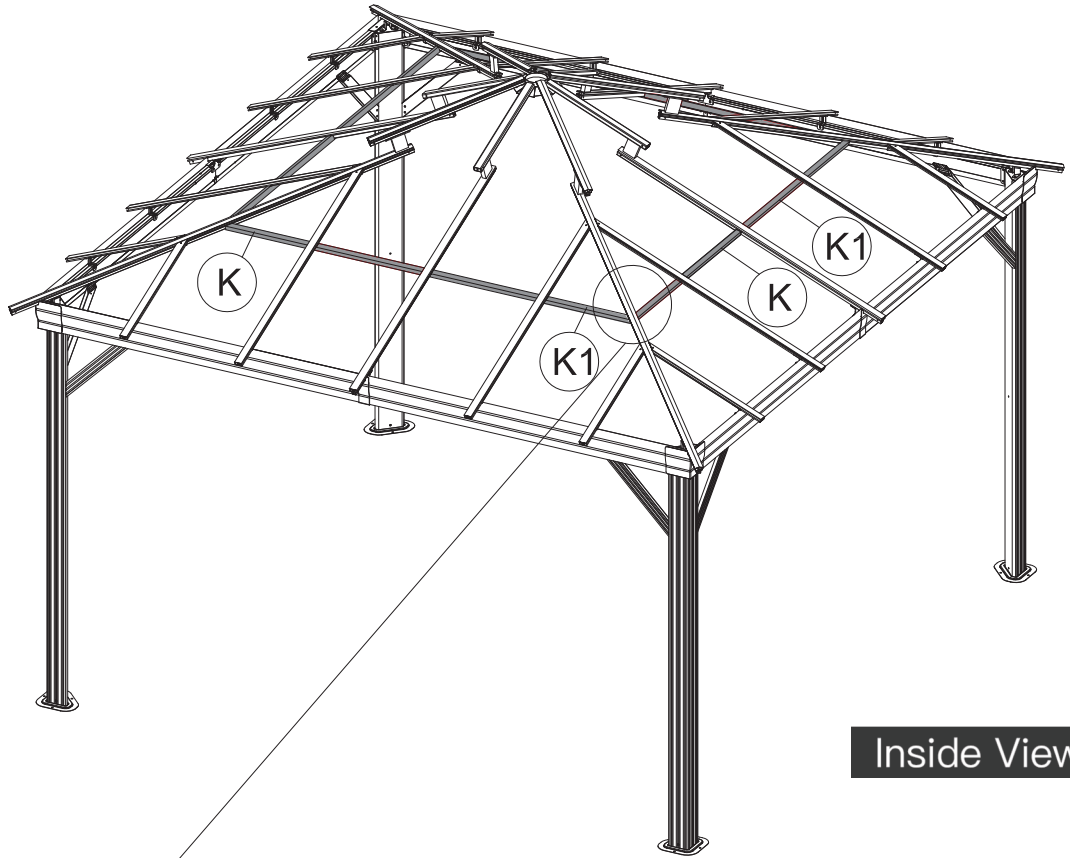


1 1x

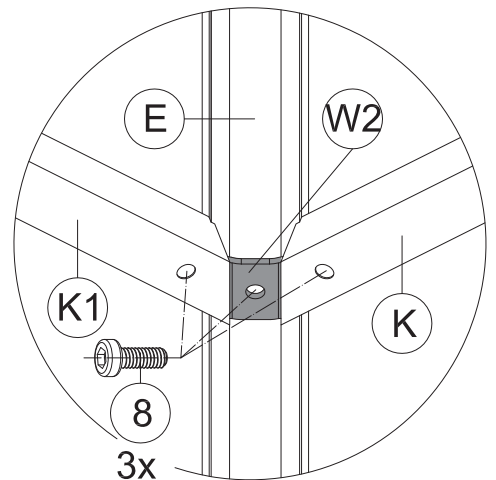
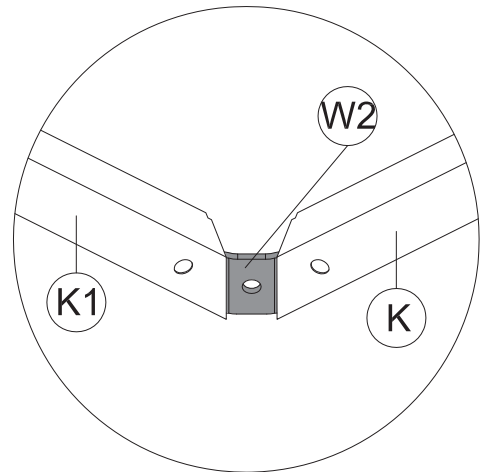
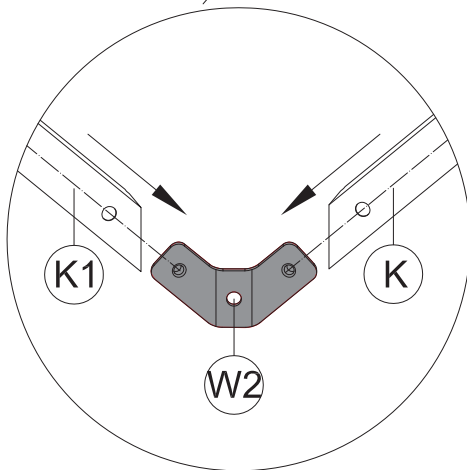


M6x16

8 12x



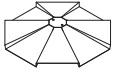
Inside View



(1) Insert Part #W2 into Part #K1 and Part #K.

(2) Secure them to Part #E with 3 Bolts #8.

(3) Repeat the above procedures to assemble the other three sides.



(S1) 1x



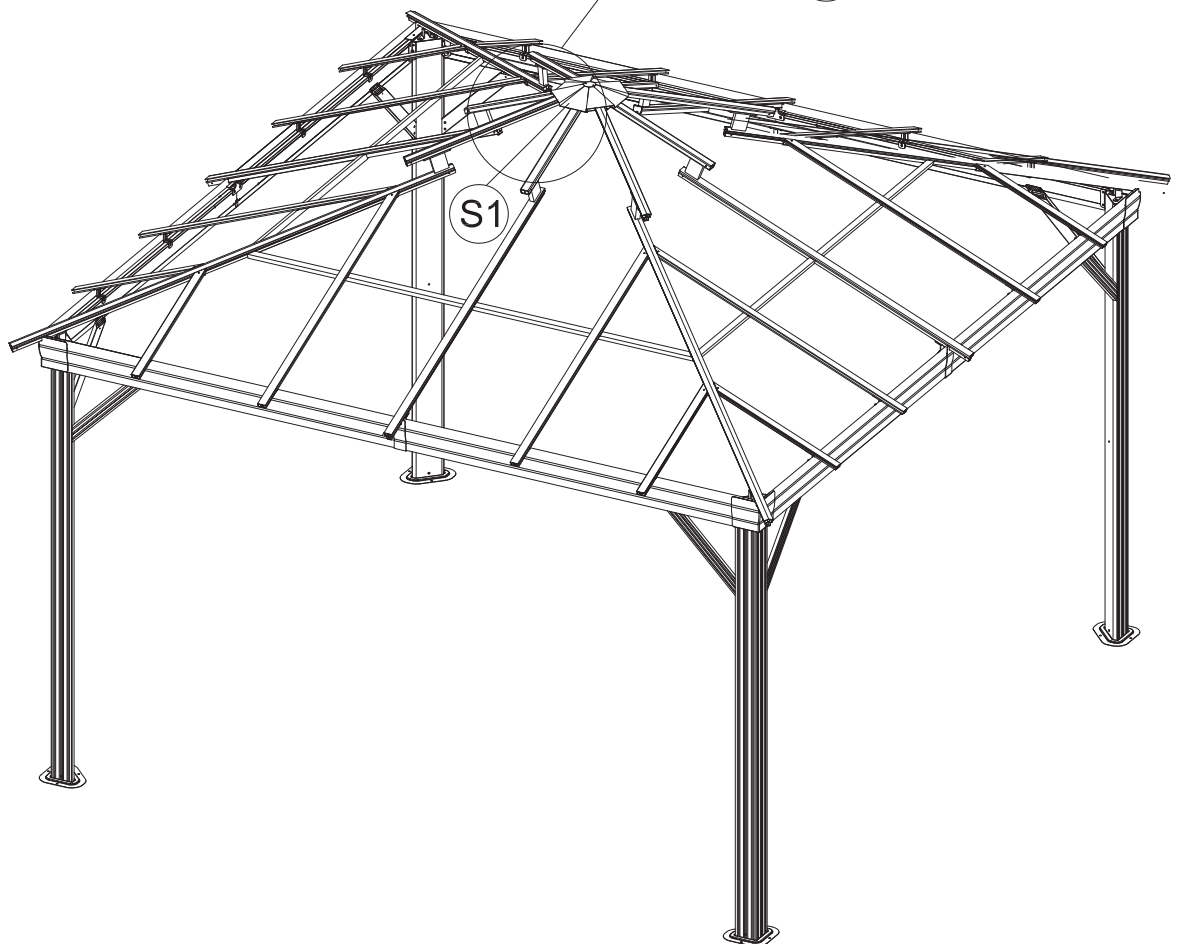
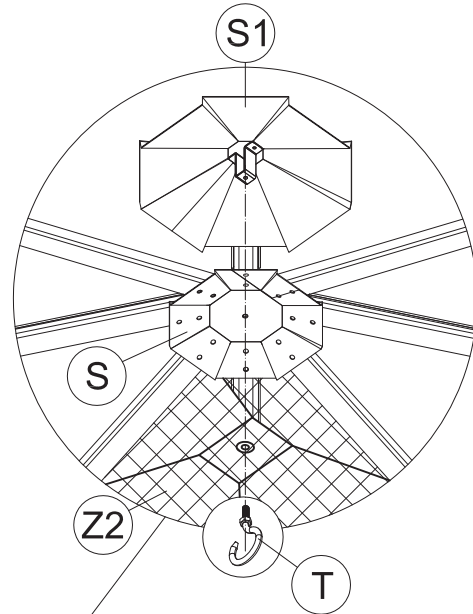
(T) 1x

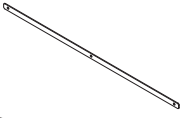


(Z2) 1x Mesh

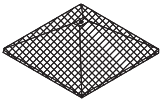
Secure Part #T to Part #Z2, Part #S and Part #S1.
ATTENTION: The holes of Part #Z2, Part #S and Part #S1
need to be aligned, on the same vertical line.

(From bottom to top)



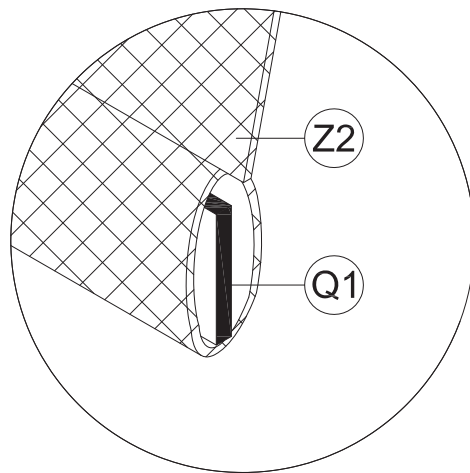
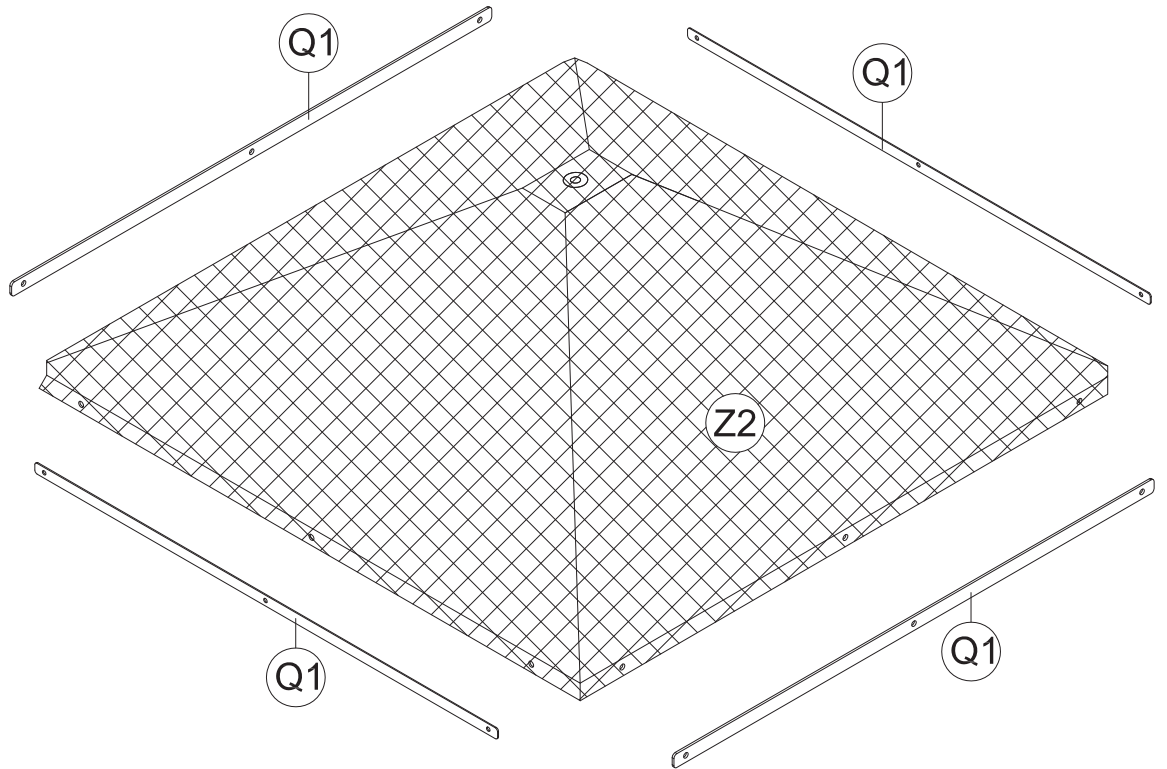


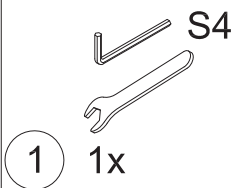
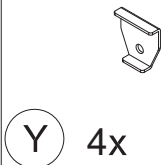
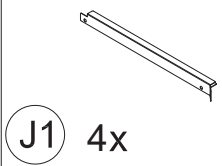
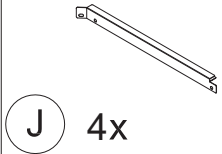
Q1 4x



Z2 1x Mesh

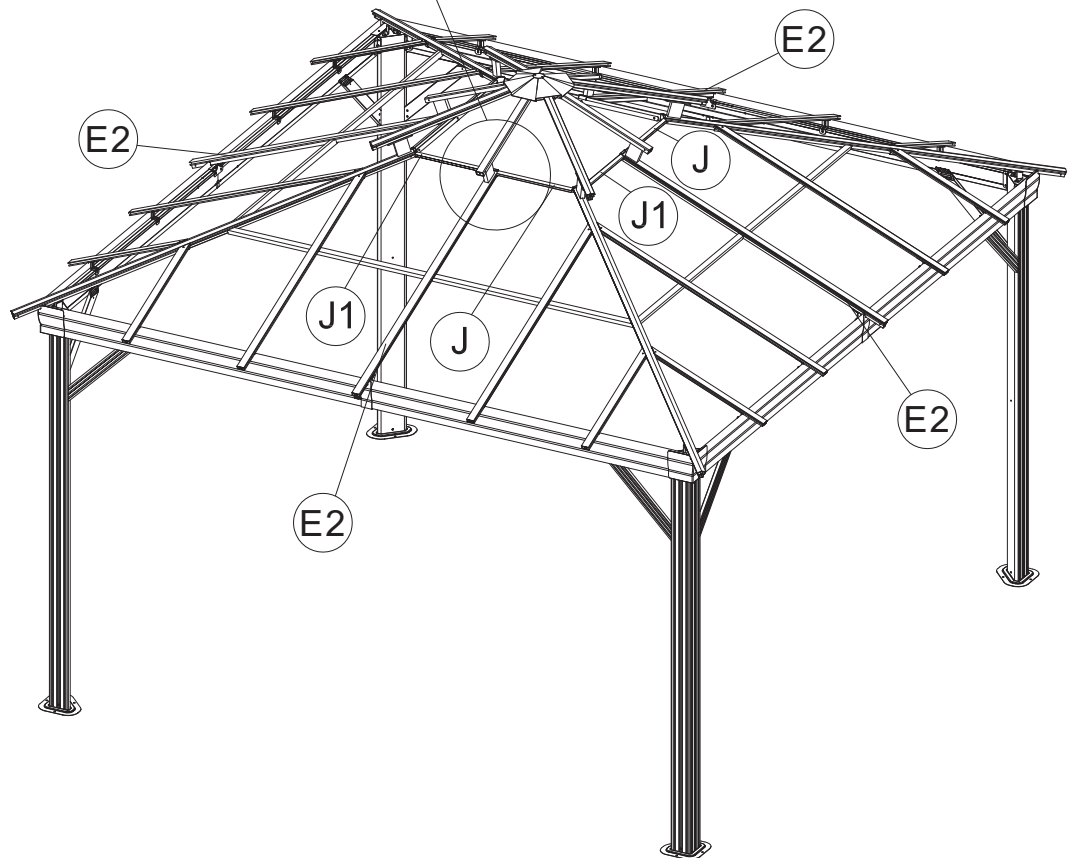
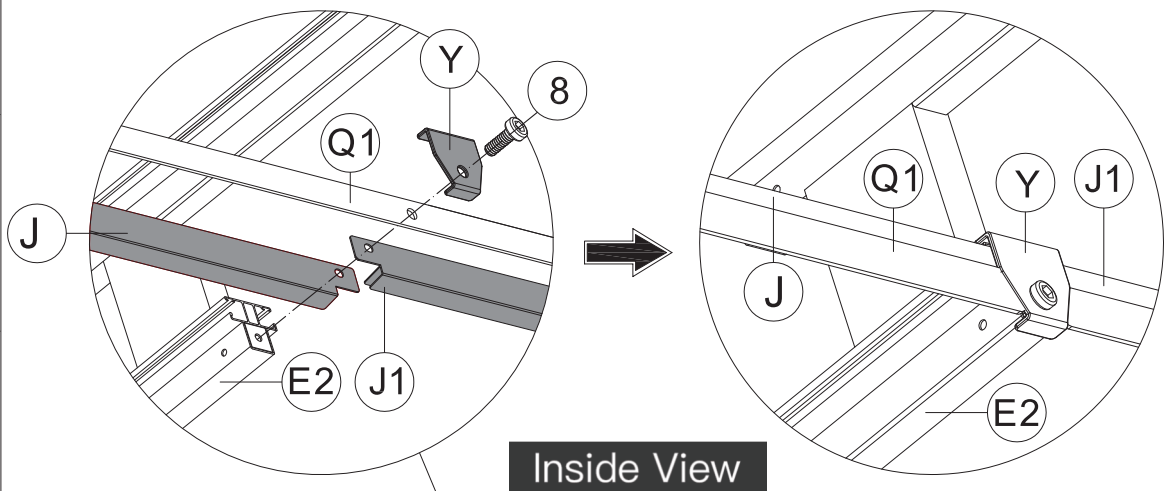
Insert Part #Q1 into the hole that
around the edge of Part #Z2.





(1) Place Part #J, Part #J1 and Part #Q1 into order on Part #E2; put on Part #Y and secure with Bolt #8.
ATTENTION: The holes need to be aligned.

(2) Repeat the above procedures to assemble the other three sides.





Y1 4x



1 1x



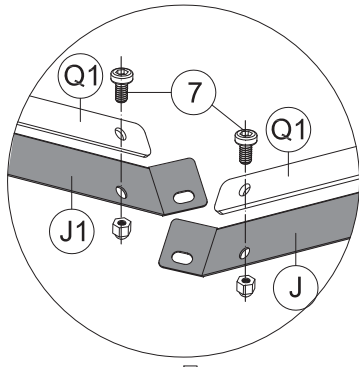
M6x12

7 8x

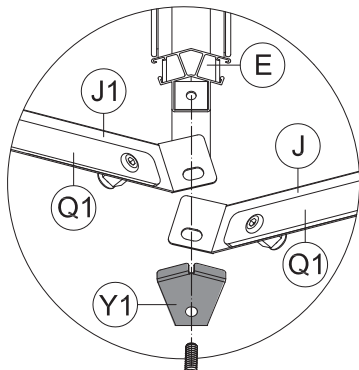


M6x16

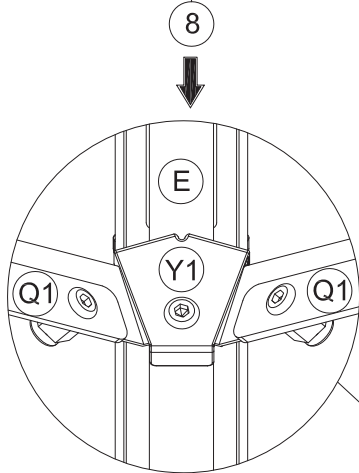
8 4x



(1) Attach Part #Q1 on Part #J&J1 with 2 Bolts and Nuts #7.

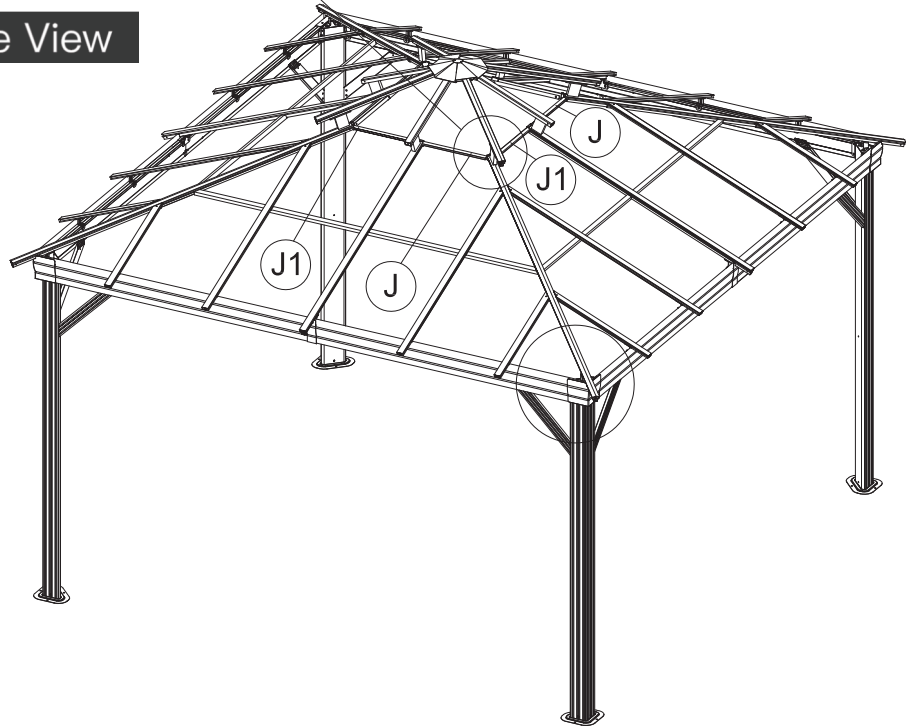


(2) Place Part #Y1 on Part #J/J1 and Part #E, securing with Bolt #8.

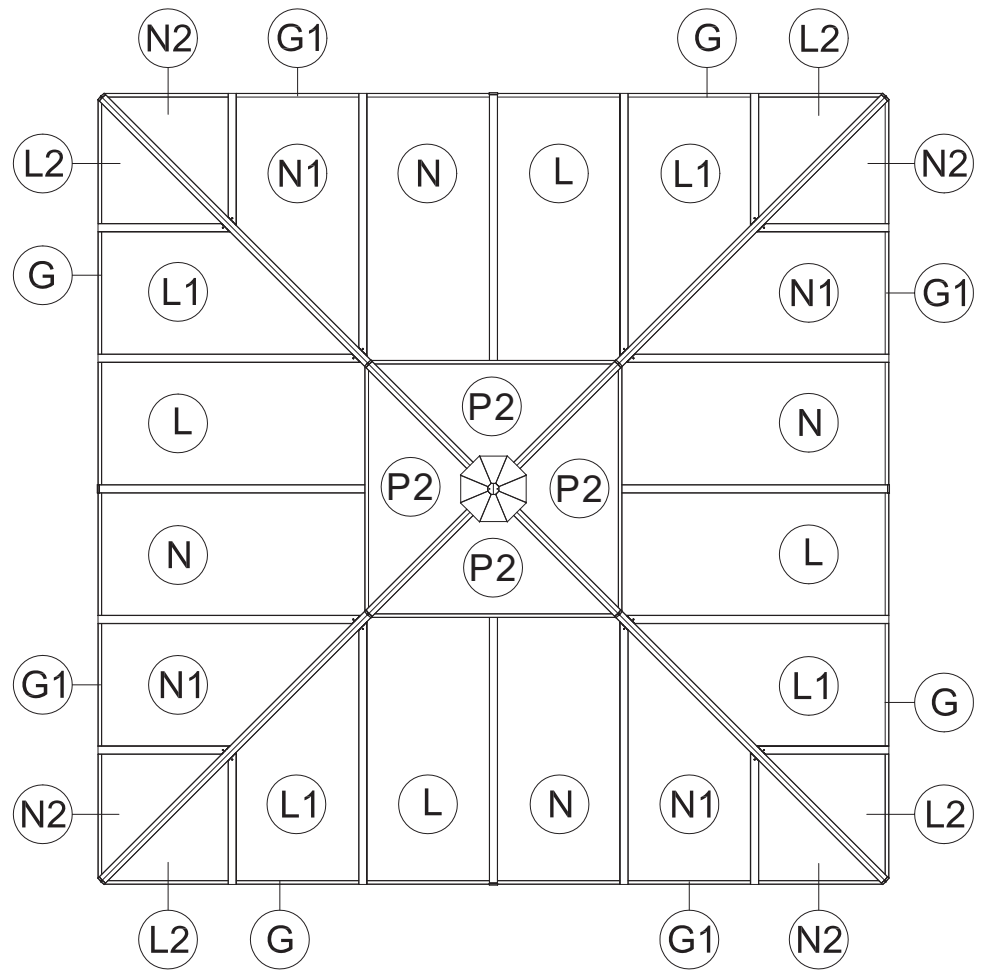


(3) Repeat the above procedures to assemble the other three sides.

Inside View

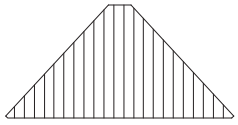


ASSAMBLE ROOF PANELS:





H2 4x



P2 4x

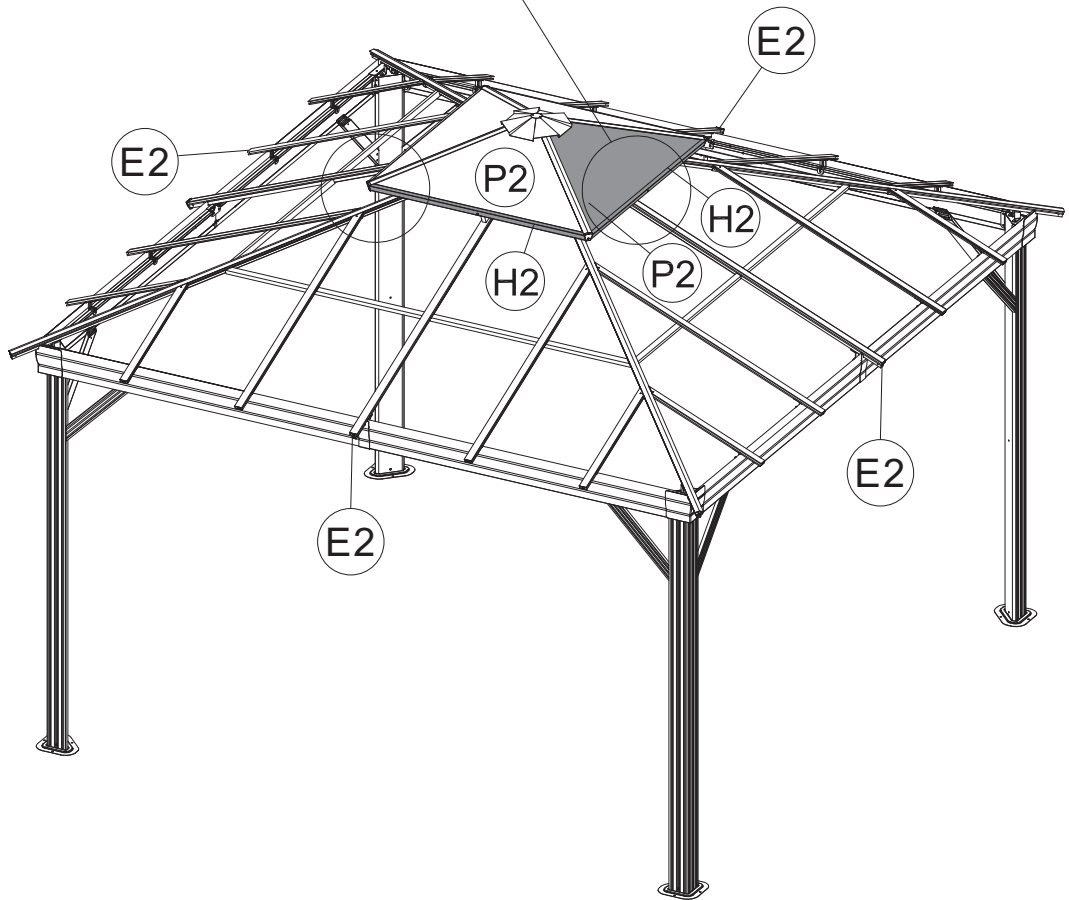
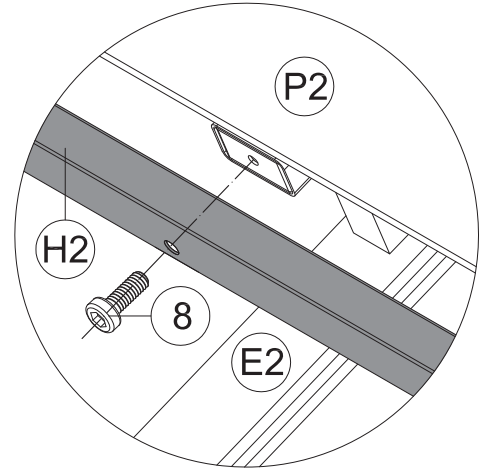
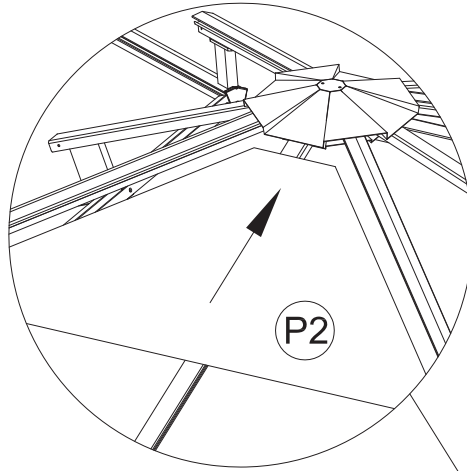


M6x16

8 4x

(1) Insert Part #P2 into the top roof.

(2) Place Part #H2 on Part #E2, securing with Bolt #8.



(3) Repeat the above procedures to assemble the other three sides.

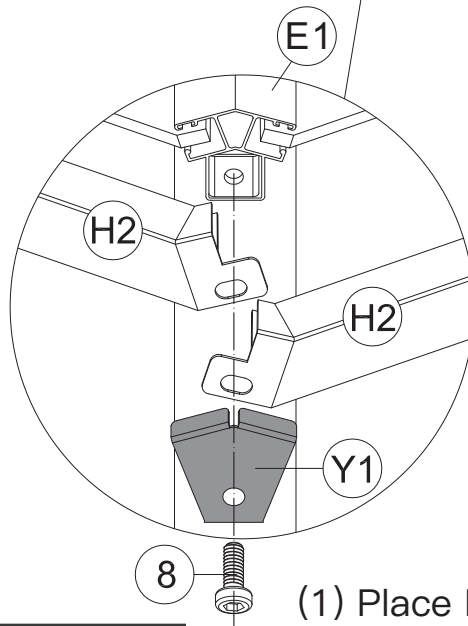
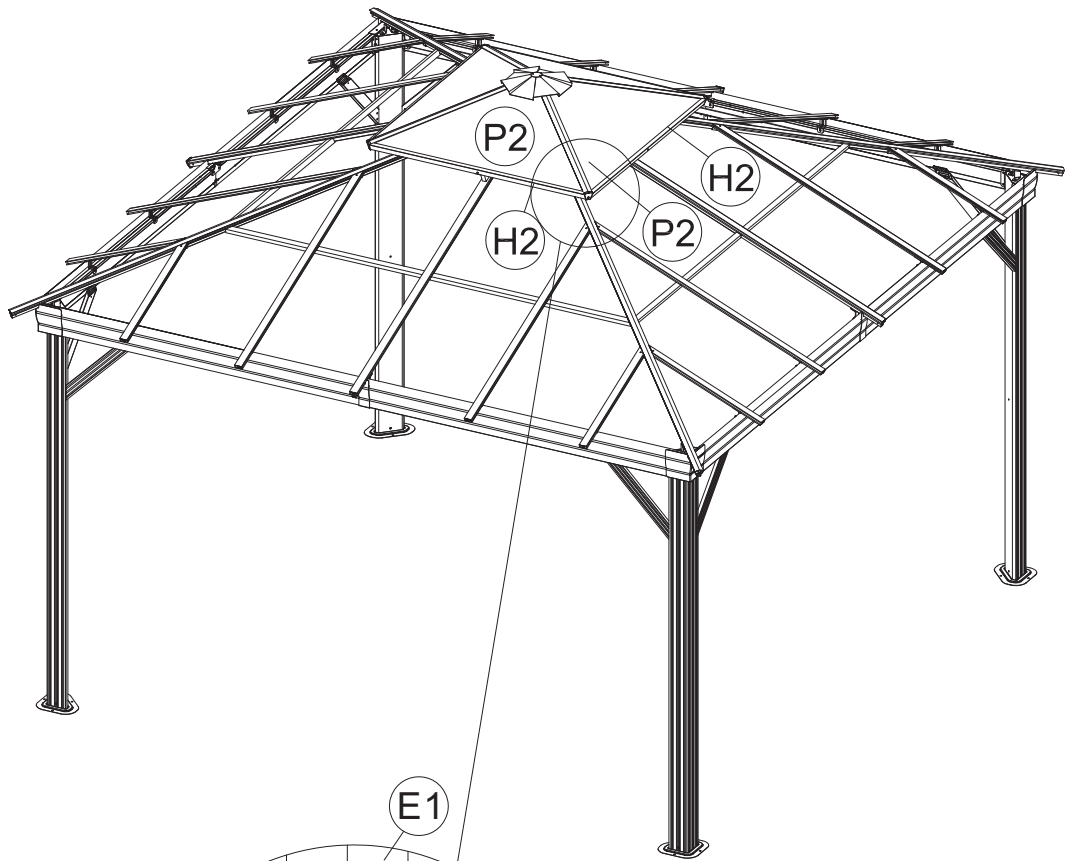


Y1 4x



M6x16

8 4x

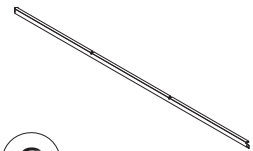


Outside View

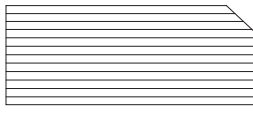
(1) Place Part #H2 on Part #E1; put on Part #Y1 and secure with Bolt #8.

(2) Repeat the above procedures to assemble the other three sides.

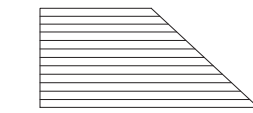
(1) Insert Part #L, Part #L1 and Part #L2 into the frame.



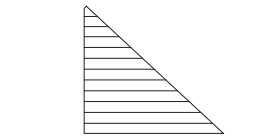
G 4x



L 4x



L1 4x

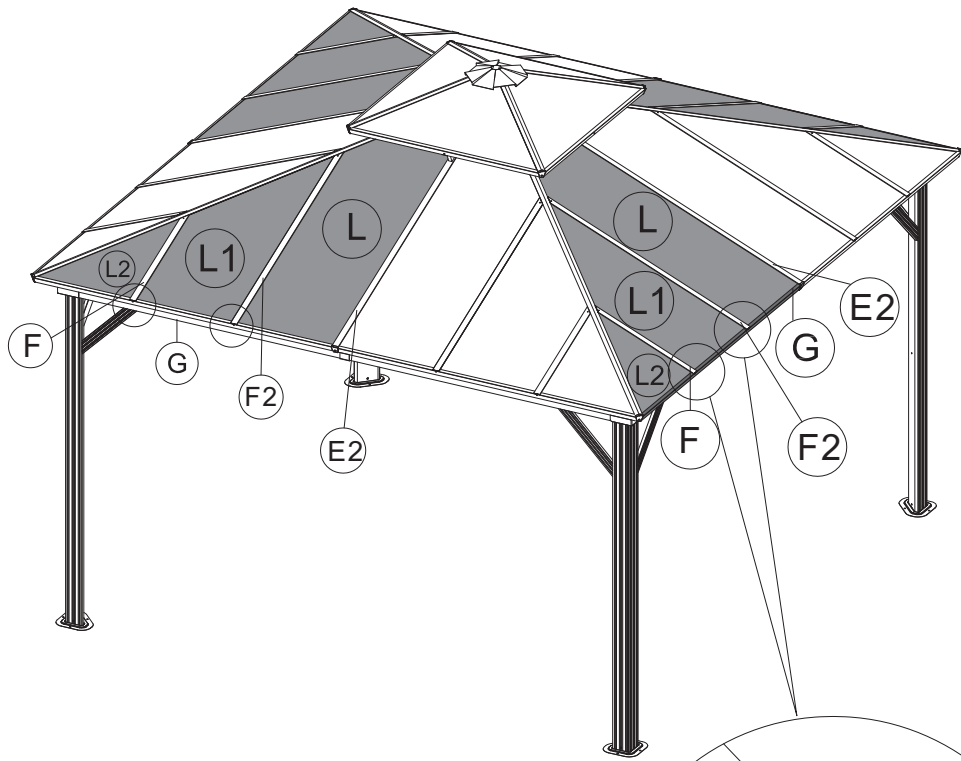
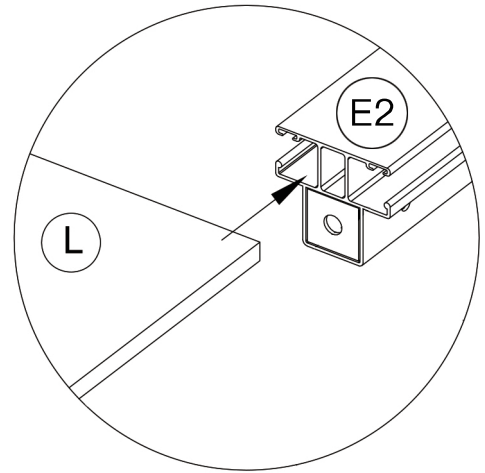
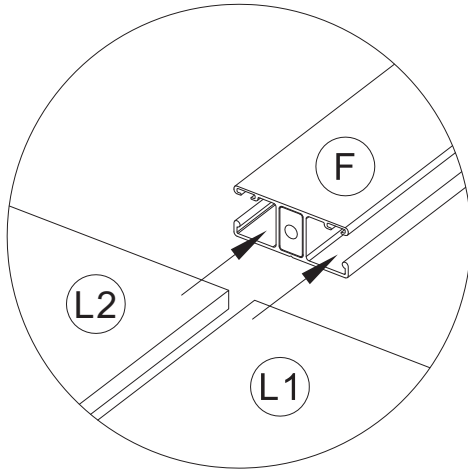


L2 4x

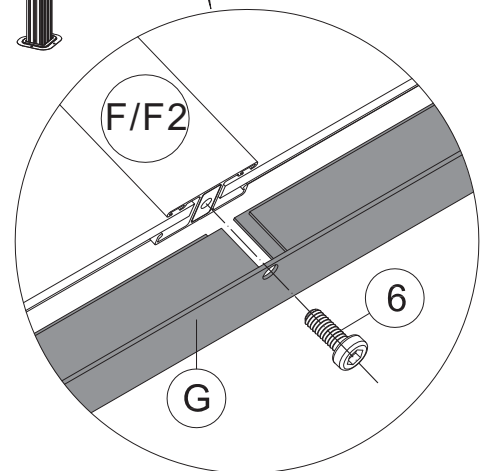


M5x12

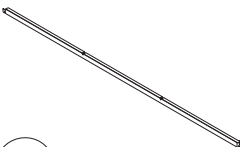
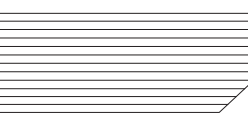
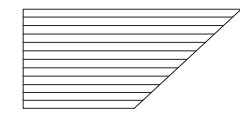
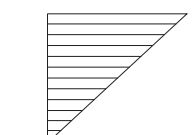

6 8x



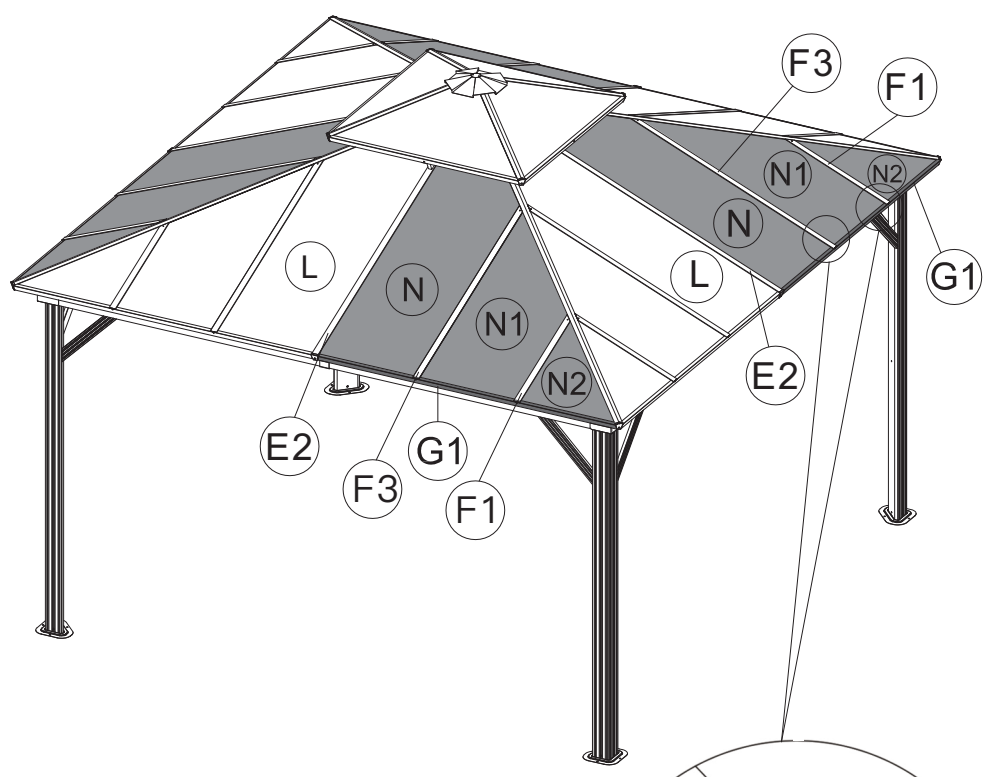
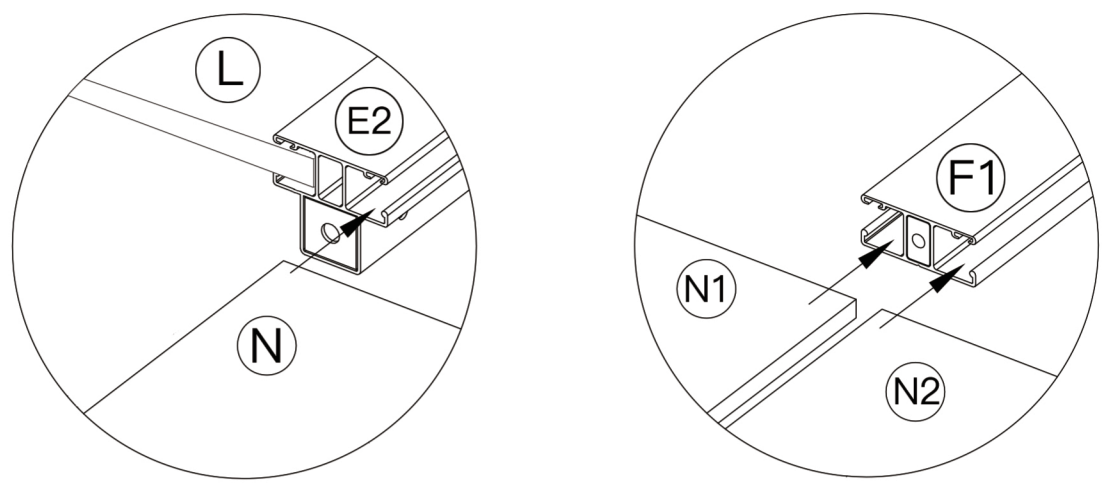
(2) Attach Part #G to the frame, securing with 2 Bolts #6.



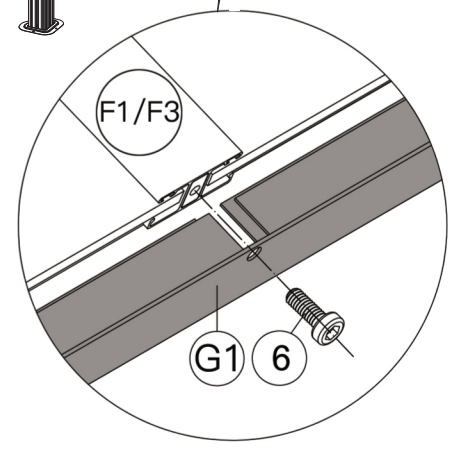
(3) Repeat the above procedures to assemble the other three sides.

-  **G1** 4x
-  **N** 4x
-  **N1** 4x
-  **N2** 4x
-  **6** 8x
M5x12

(1) Insert Part #N, Part #N1 and Part #N2 into the frame;



(2) Attach Part #G1 to the frame, securing with 2 Bolts #6.



(3) Repeat the above procedures to assemble the other three sides.

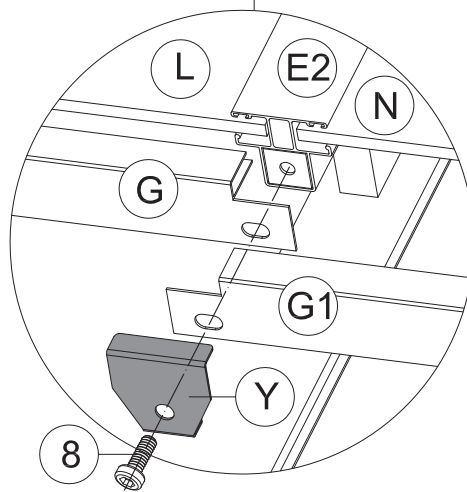
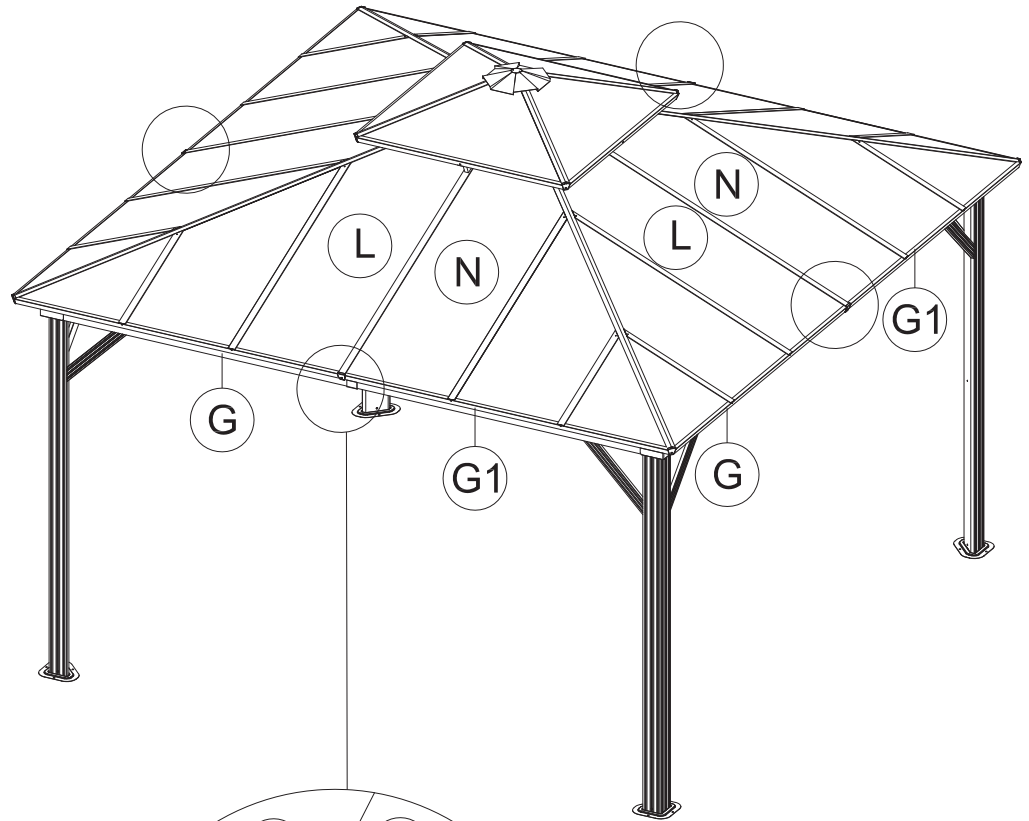


M6x16

8 4x



Y 4x



(1) Place Part #G and Part #G1 on Corner Roof Tube Part #E2; put on Part #Y and secure with Bolt #8.

(2) Repeat the above procedures to assemble the other three sides.

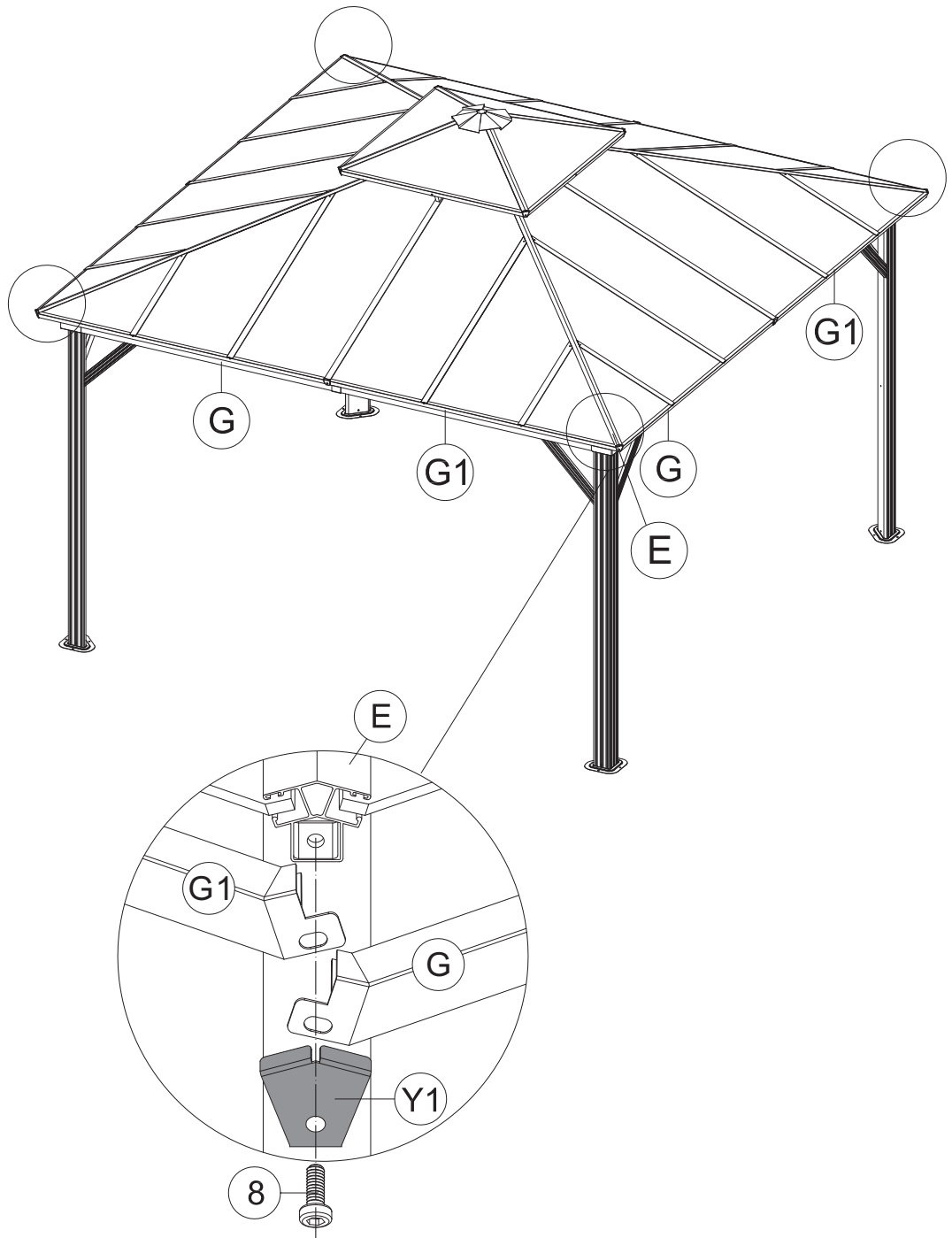


M6x16

8 4x



Y1 4x



(1) Place Part #G and Part #G1 on Part #E;
put on Part #Y1 and secure with Bolt #8

(2) Repeat the above procedures to assemble the other three sides.



V 112x

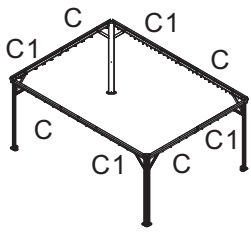


W 4x

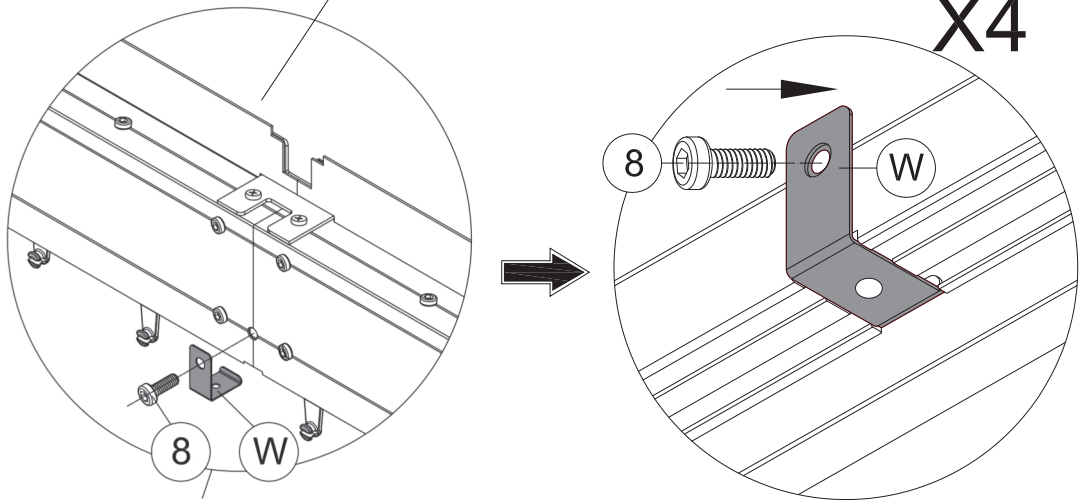
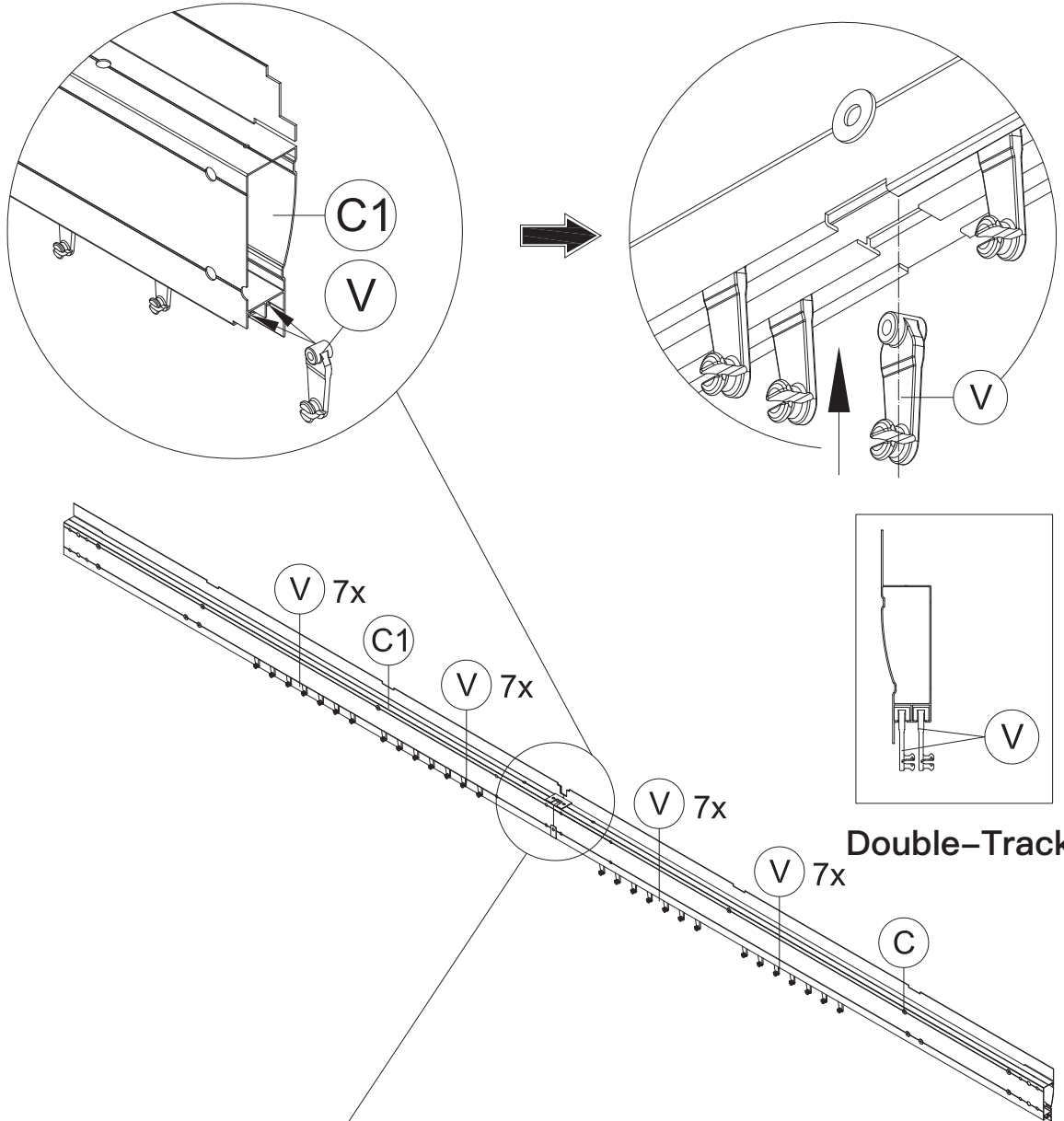


M6x16

8 4X

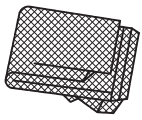


(1) Place 7 hooks on each slot of the Sidewall Track (C&C1).



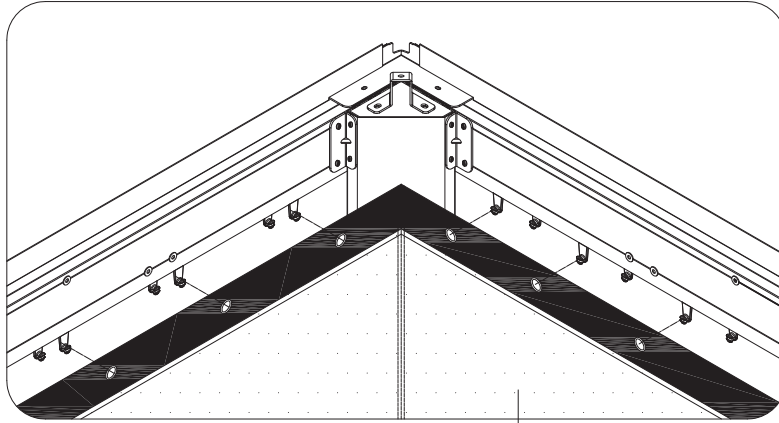
(2) Install Part #W at the joint of Part #C&C1 with Bolt #8.

(3) Repeat the above procedures to assemble the other three sides.

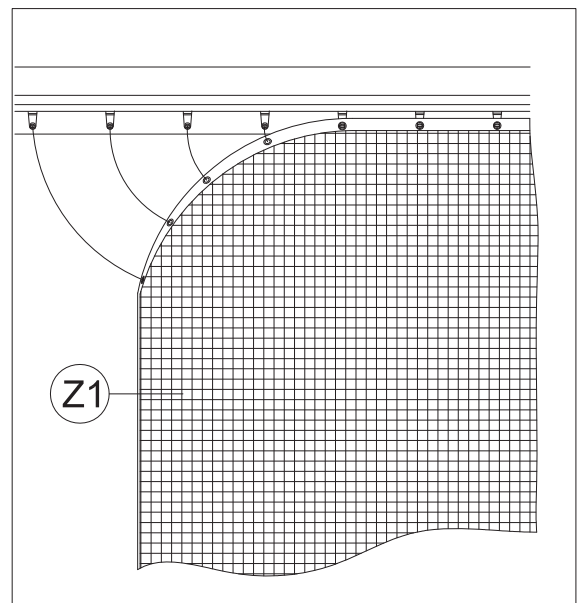
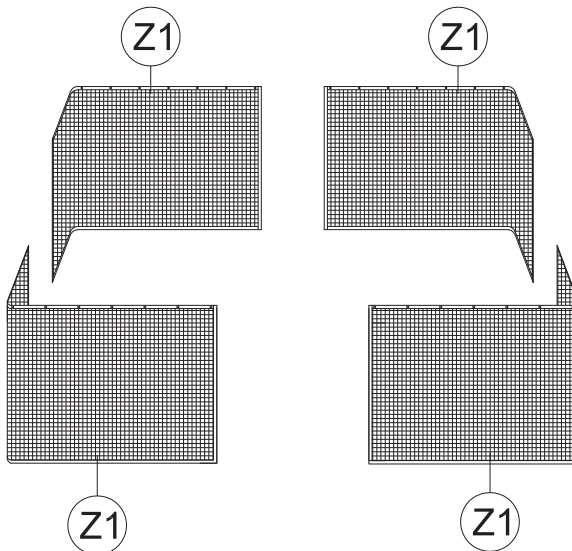
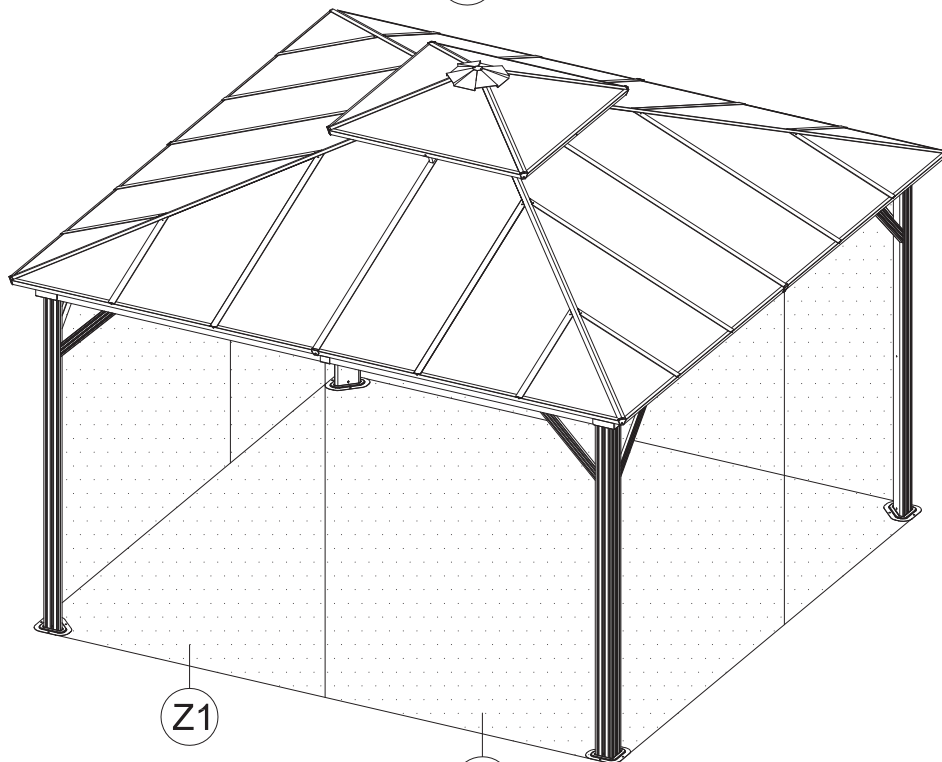
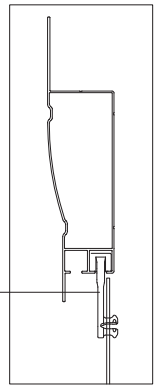


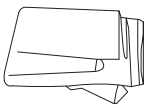
Hang up mosquito sidewalls to inside track.

Z1 4x



Z1





Hang up solid sidewalls to outside track.

Z 4x

