



W2 4x

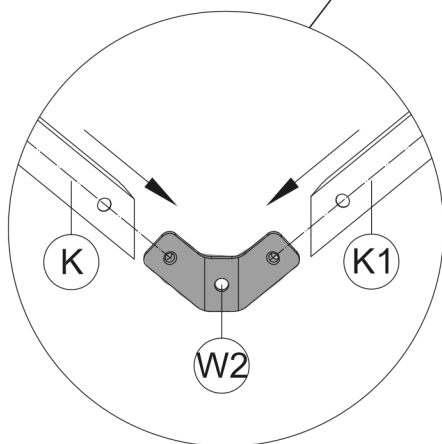
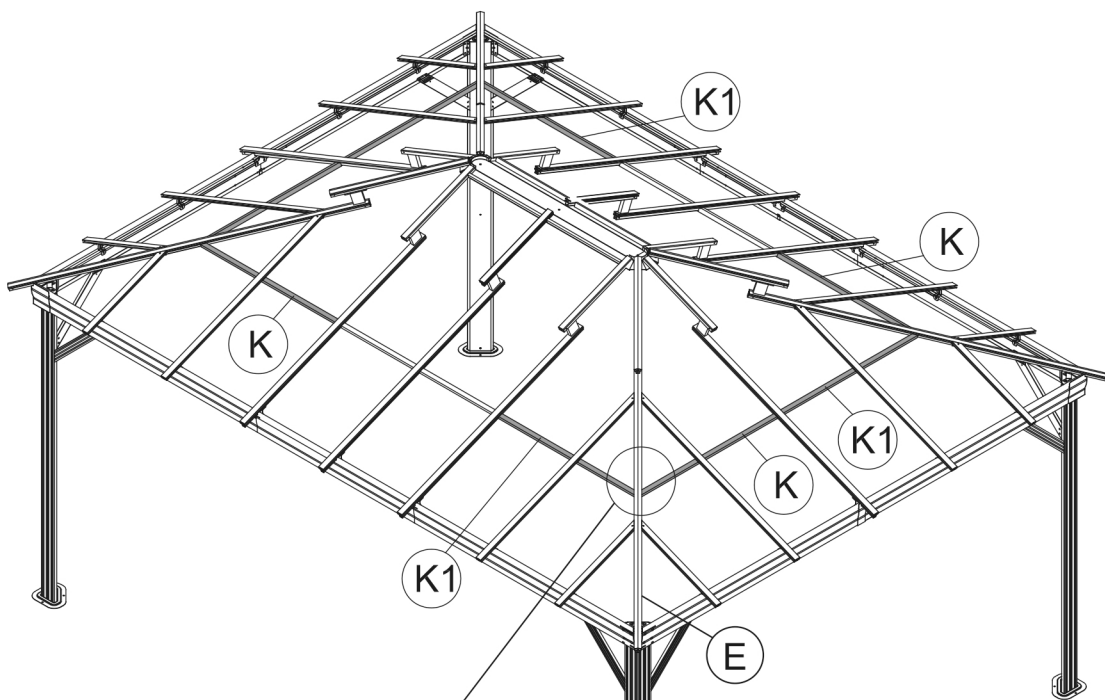


1 1x

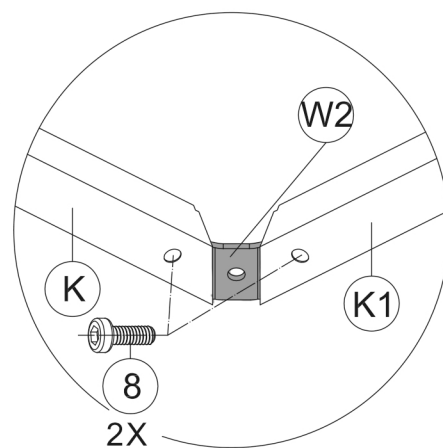


M6x16

8 12x



(1) Insert Part #W2 into Part #K1 and Part #K.

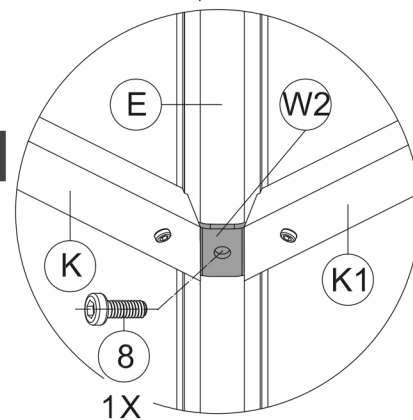


(2) Secure with 2 Bolts #8.

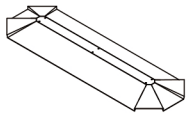


Inside View

(3) Secure them to Part #E with Bolts #8.



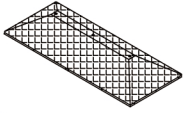
(4) Repeat the above procedures to assemble the other three sides.



(S1) 1x



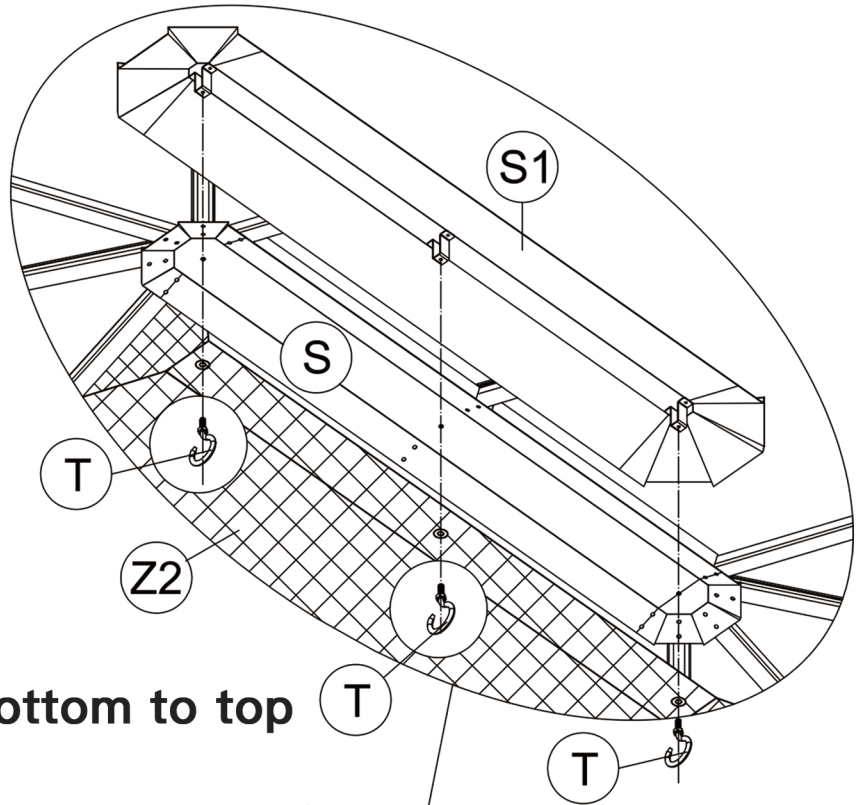
(T) 3x



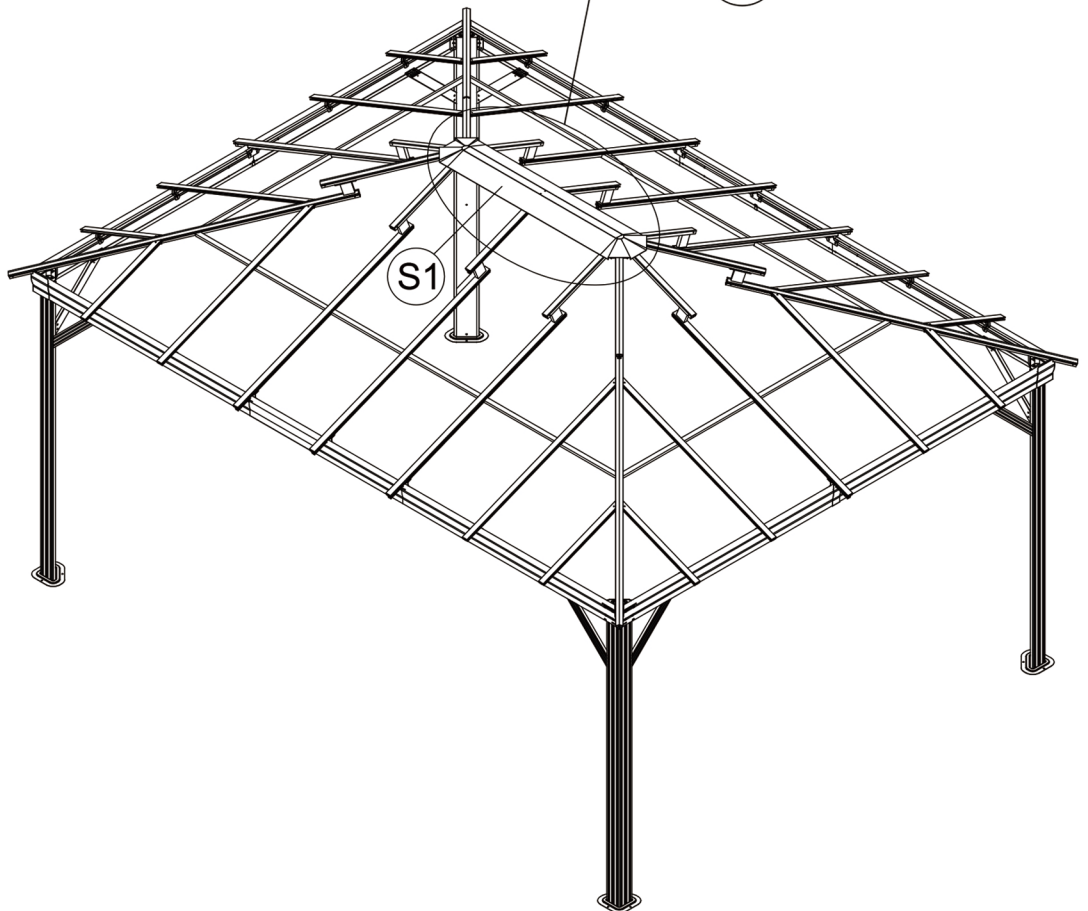
(Z2) 1x

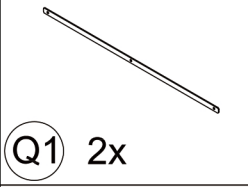
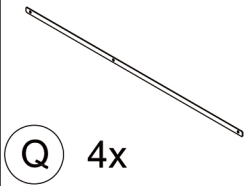
Secure Part #T to Part #Z2, Part #S and Part #S1.

ATTENTION: The holes of Part #Z2, Part #S and Part #S1 need to be aligned, on the same vertical line.

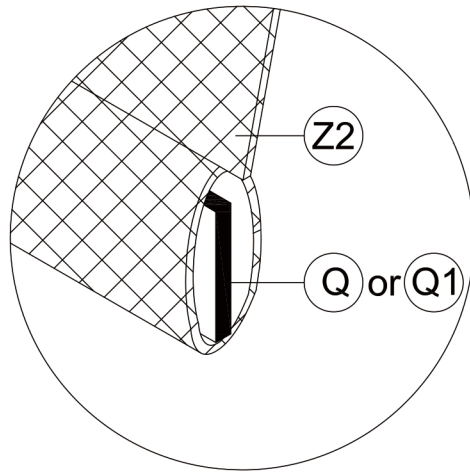
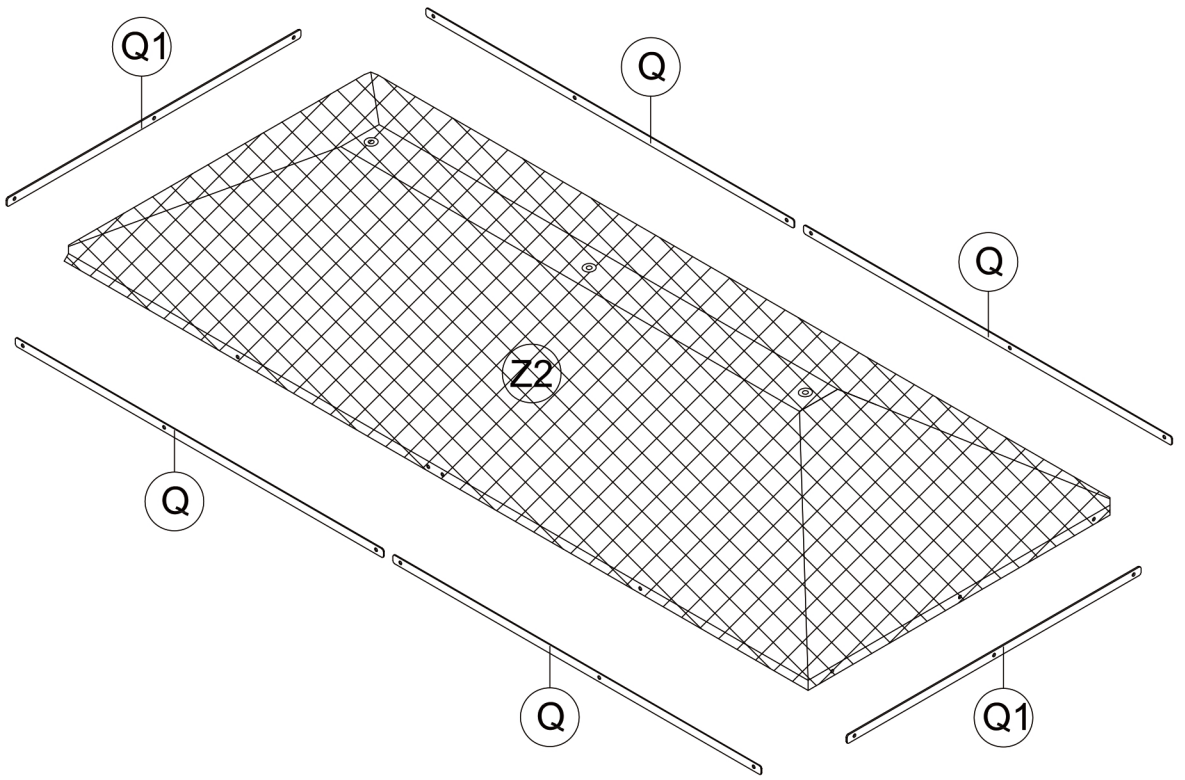


From bottom to top





Insert Part #Q/Q1 into the hole that around the edge of Part #Z2 .



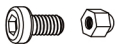
J2 2x

Y 2x

1 1x

7 4x

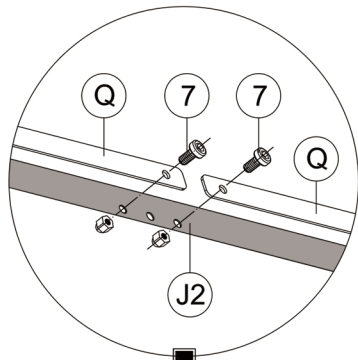
8 2x



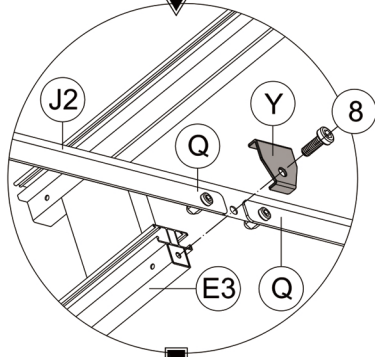
M6x12



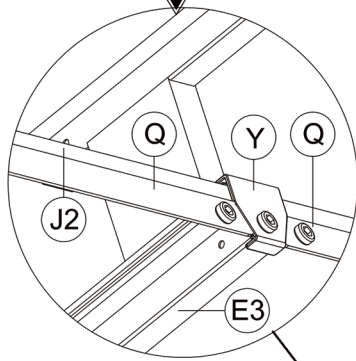
M6x16



(1) Attach Part #Q to Part #J2 with 2 Bolts and Nuts #7.

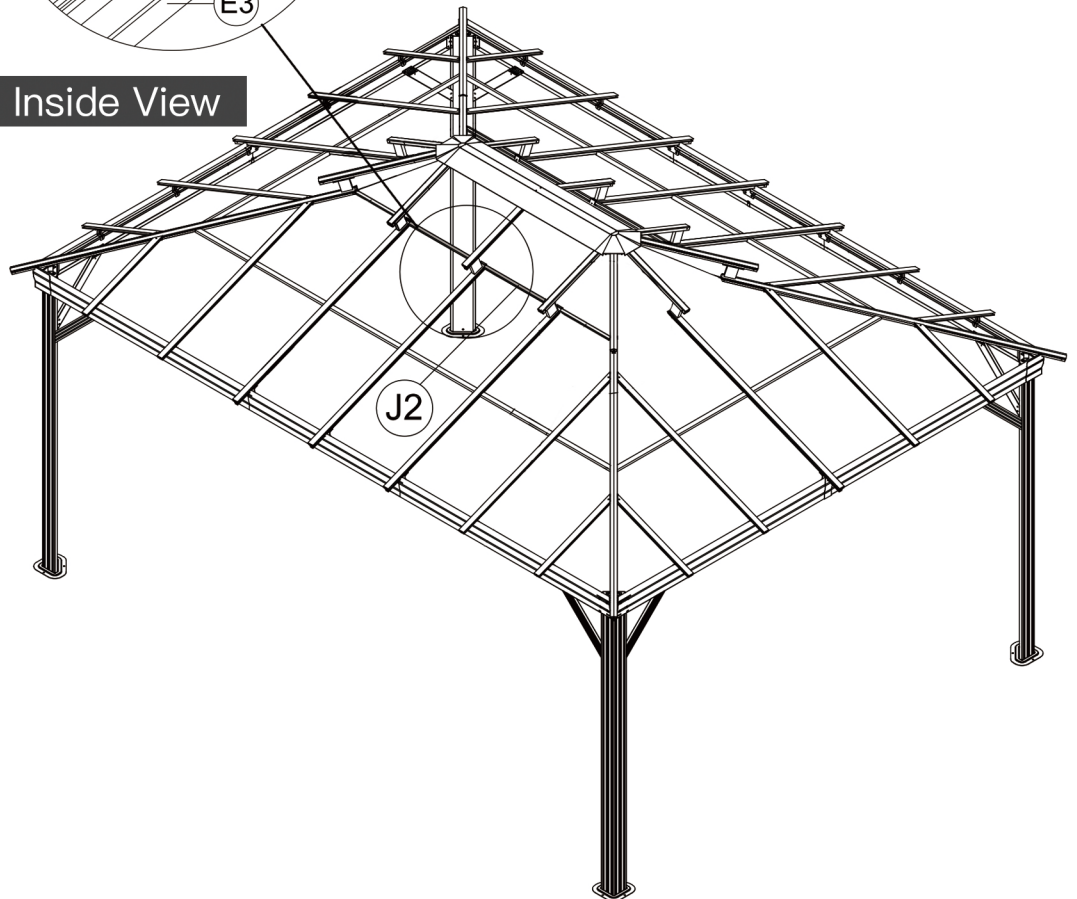


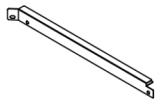
(2) Place Part #Y on Part #J2 and Part #E3, securing with Bolt #8.



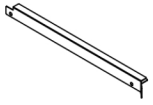
(3) Repeat these procedures to assemble the another side.

Inside View





J 2x



J1 2x



Y 4x



1 1x

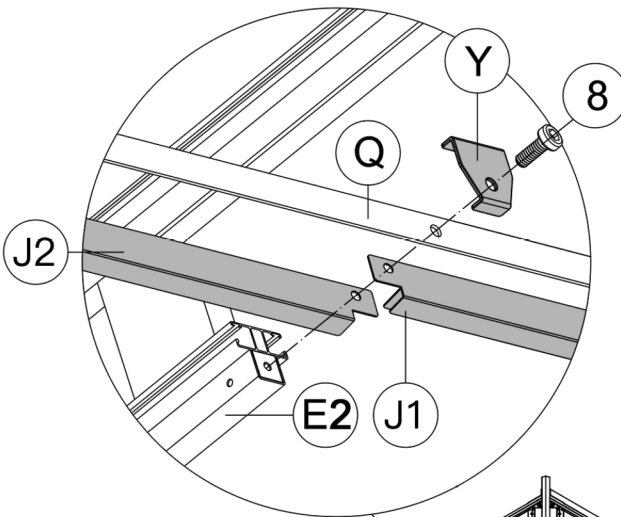


M6x16

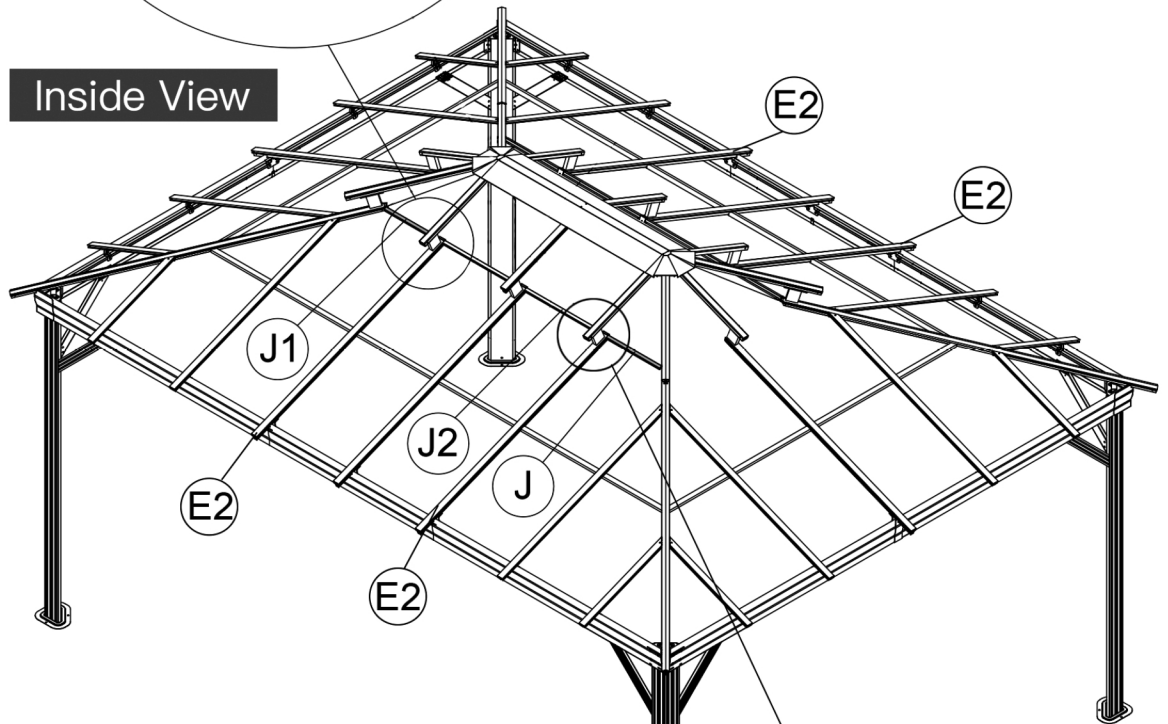
8 4x

(1) Place Part #J1, Part #J2 and Part #Q into order on Part #E2; put on Part #Y and secure with Bolt #8.

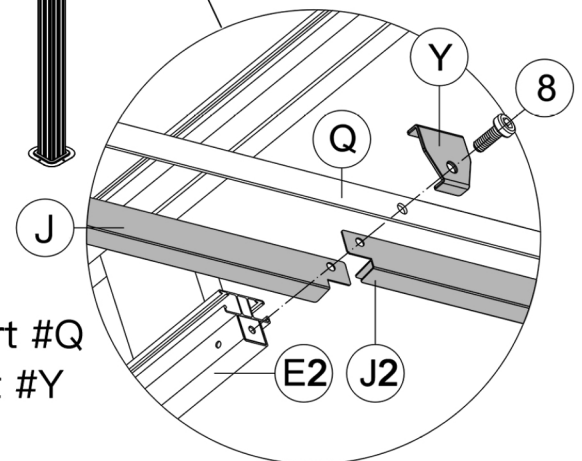
ATTENTION: The holes need to be aligned.



Inside View

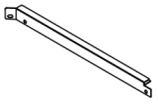


Inside View

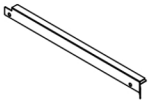


(2) Place Part #J, Part #J2 and Part #Q into order on Part #E2; put on Part #Y and secure with Bolt #8.

(3) Repeat these procedures to assemble the another side.



J 2x



J1 2x



Y 2x

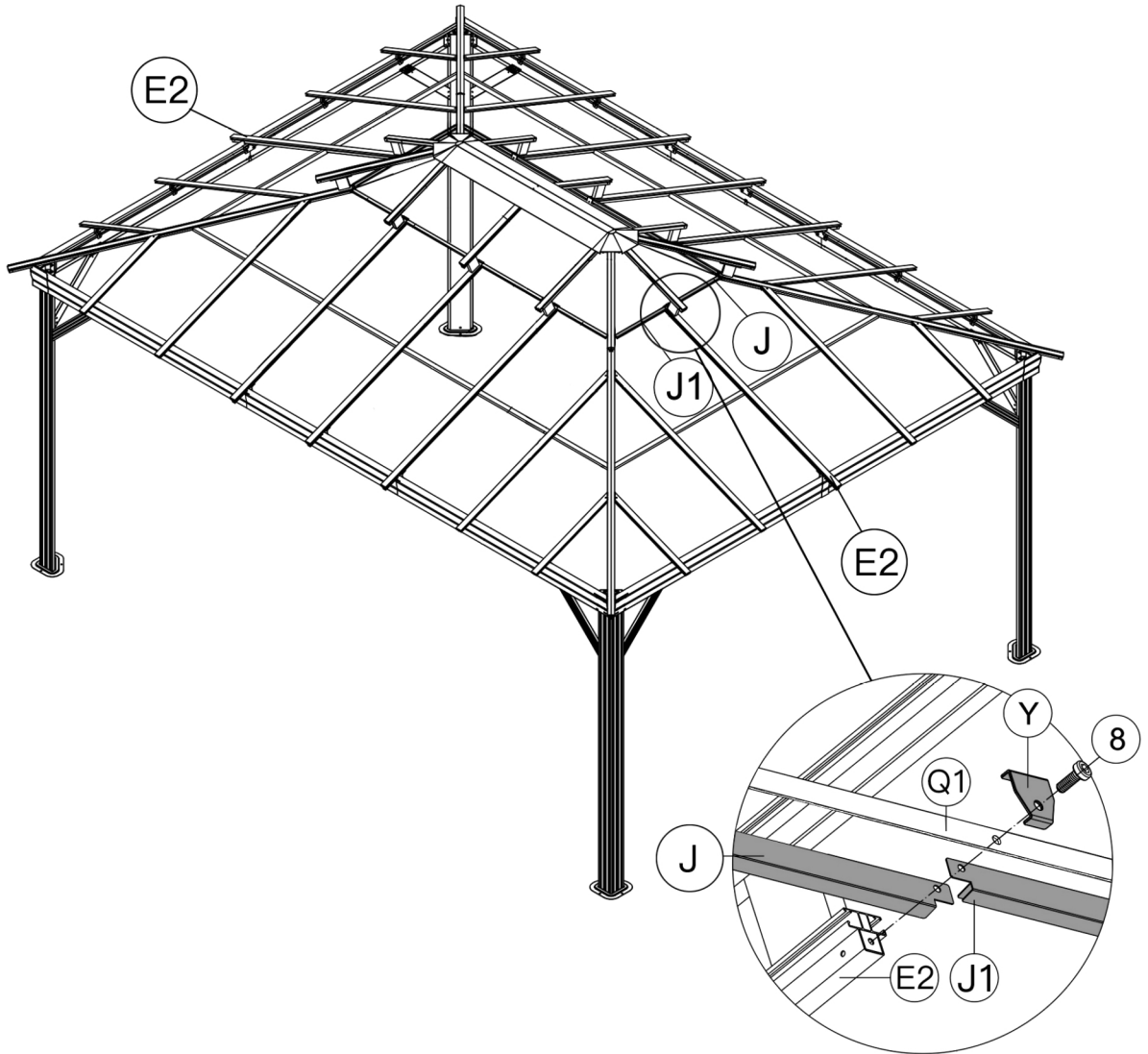


M6x16

8 2x



1 1x



Inside View

(1) Place Part #J , Part #J1 and Part #Q1 into order on Part #E2; put on part#Y and secure with Bolt #8.

ATTENTION: The holes need to be aligned.

(2) Repeat these procedures to assemble the another side.



Y1 4x



1 1x



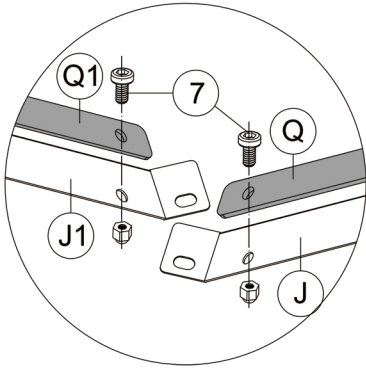
M6x12

7 8x

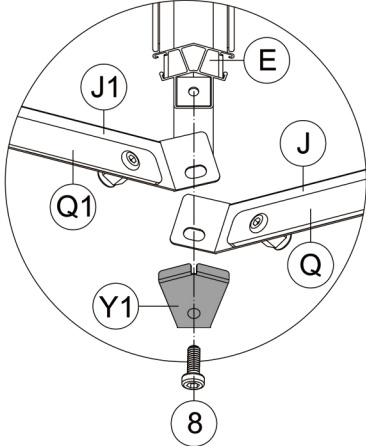


M6x16

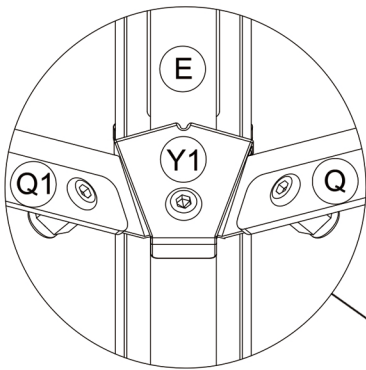
8 4x



(1) Attach Part #Q to Part #J with Bolt and Nut #7; attach Part #Q1 to Part #J1 with Bolt and Nut #7.

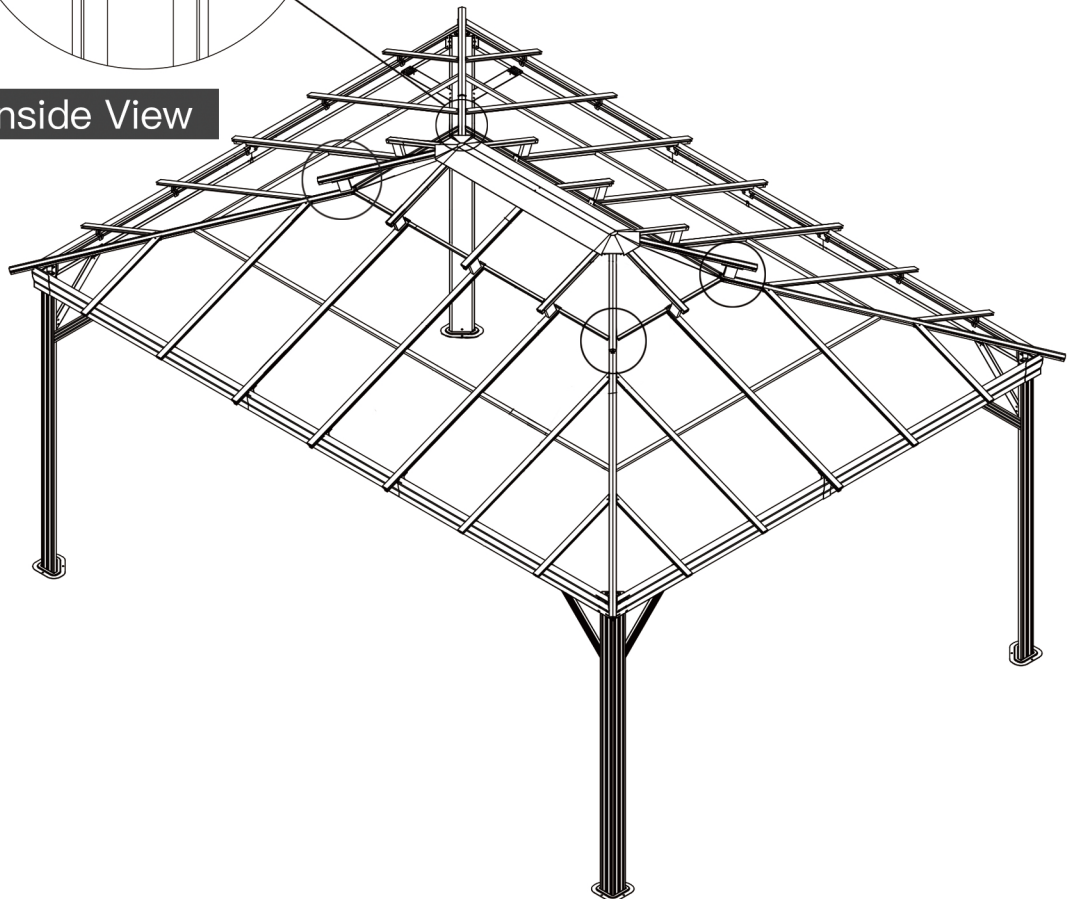


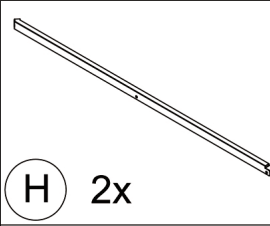
(2) Place Part #Y1 on Part #J/J1 and Part #E, securing with Bolt #8.



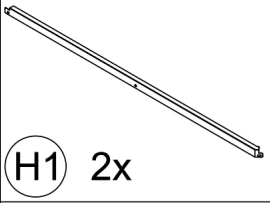
(3) Repeat these procedures to assemble the other three corners.

Inside View

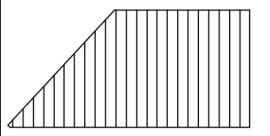




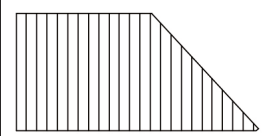
H 2x



H1 2x



P 2x



P1 2x

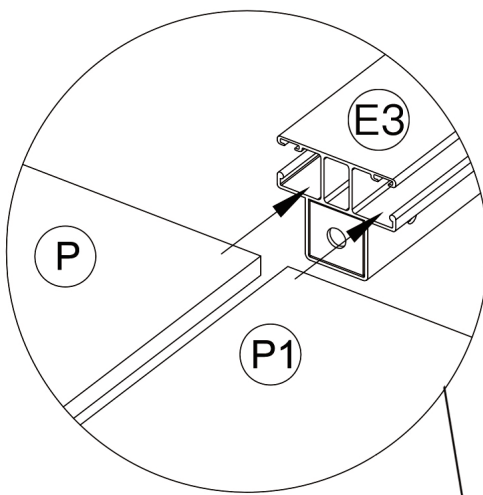


Y 2x

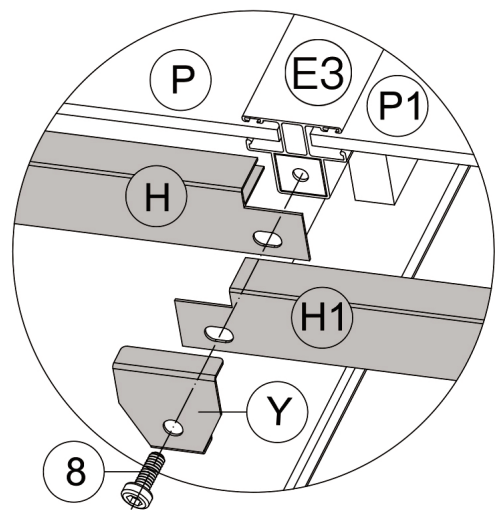


M6x16

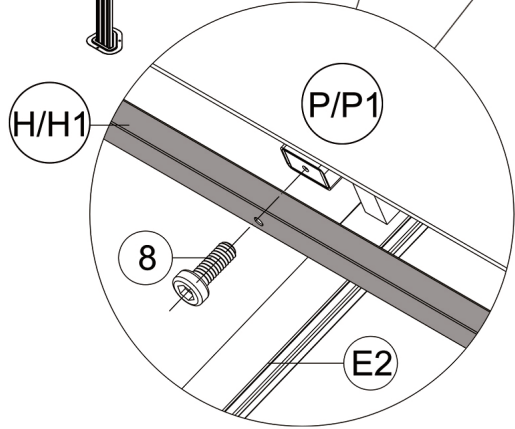
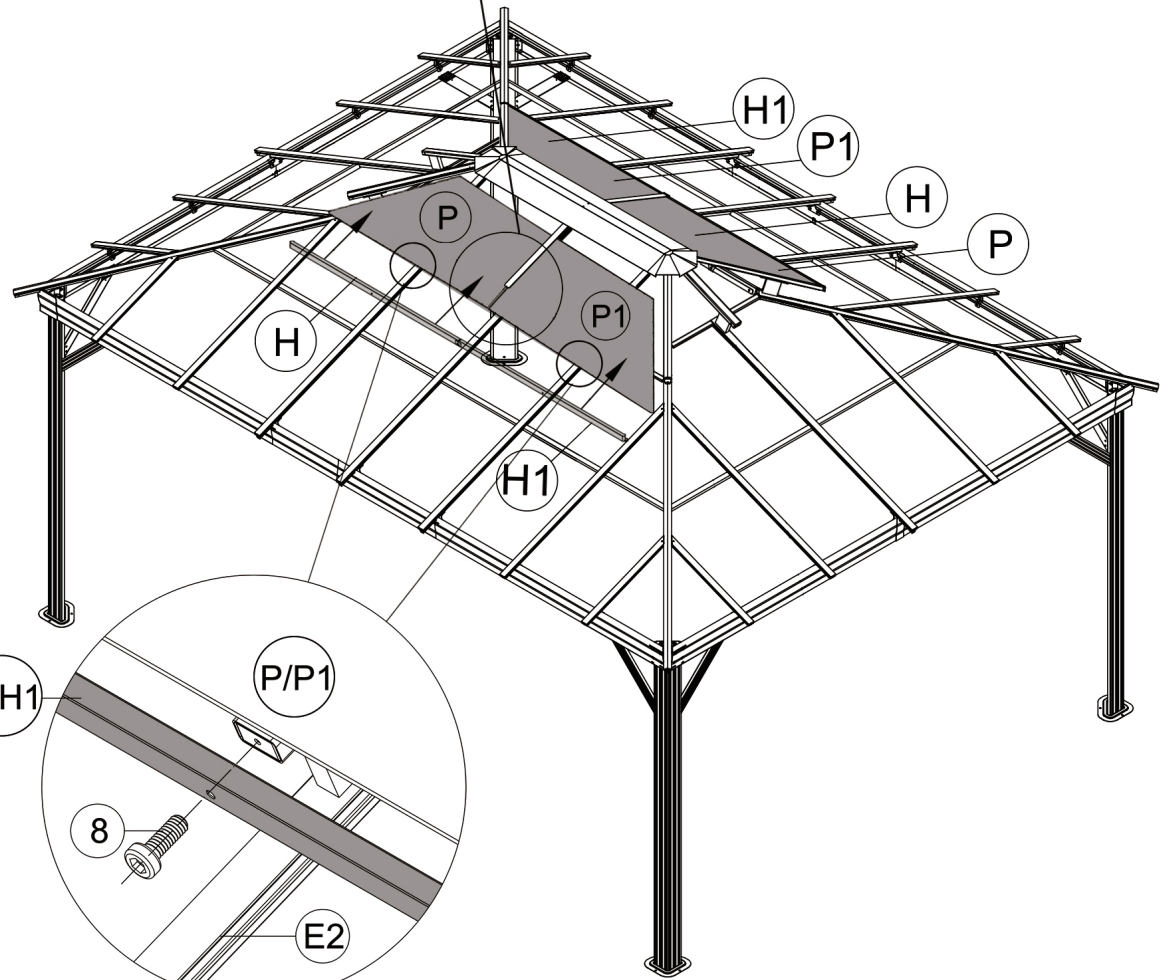
8 6x



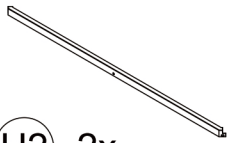
(1) Insert Part #P and Part #P1 into the top roof.



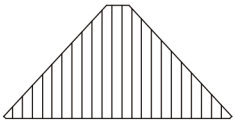
(2) Place Part #H and Part #H1 on Part #E3; put on part#Y and secure with Bolt #8.



(3) Place Part #H/#H1 on Part #E2, securing with Bolt #8.
(4) Repeat these procedures to assemble the another side.



H2 2x

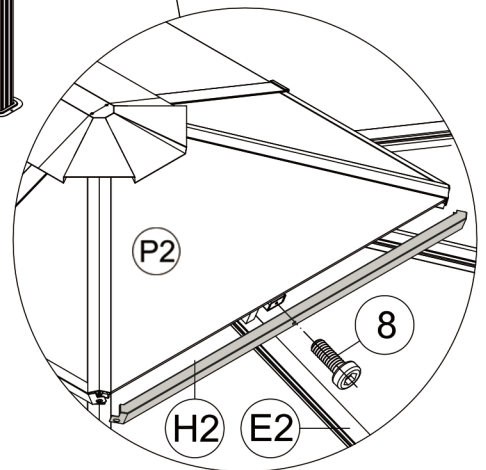
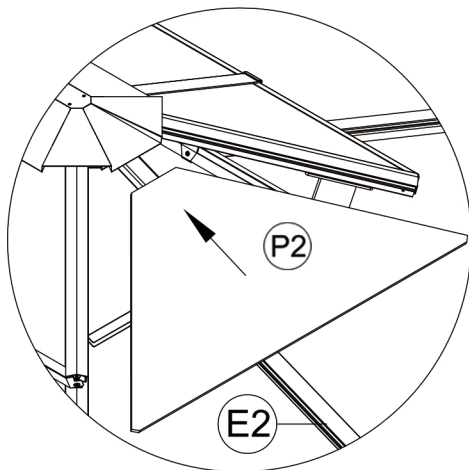
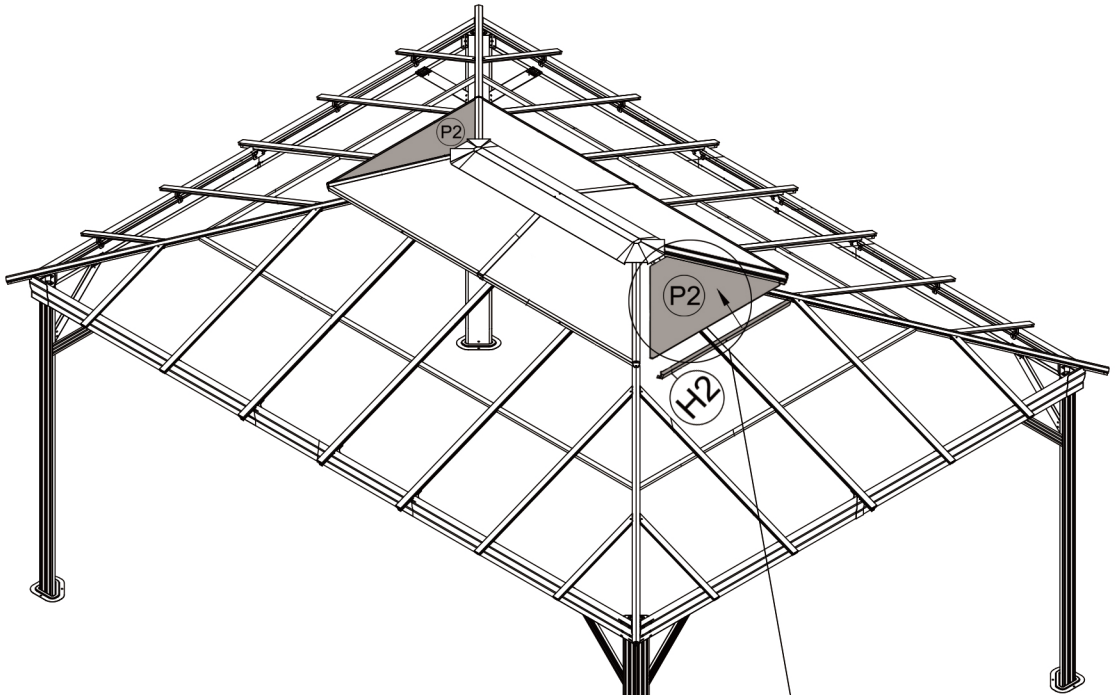


P2 2x



M6x16

8 2x



(1) Insert Part #P2 into the top roof.

(2) Place Part #H2 on Part #E2, securing with Bolt #8.

(3) Repeat these procedures to assemble the another side.

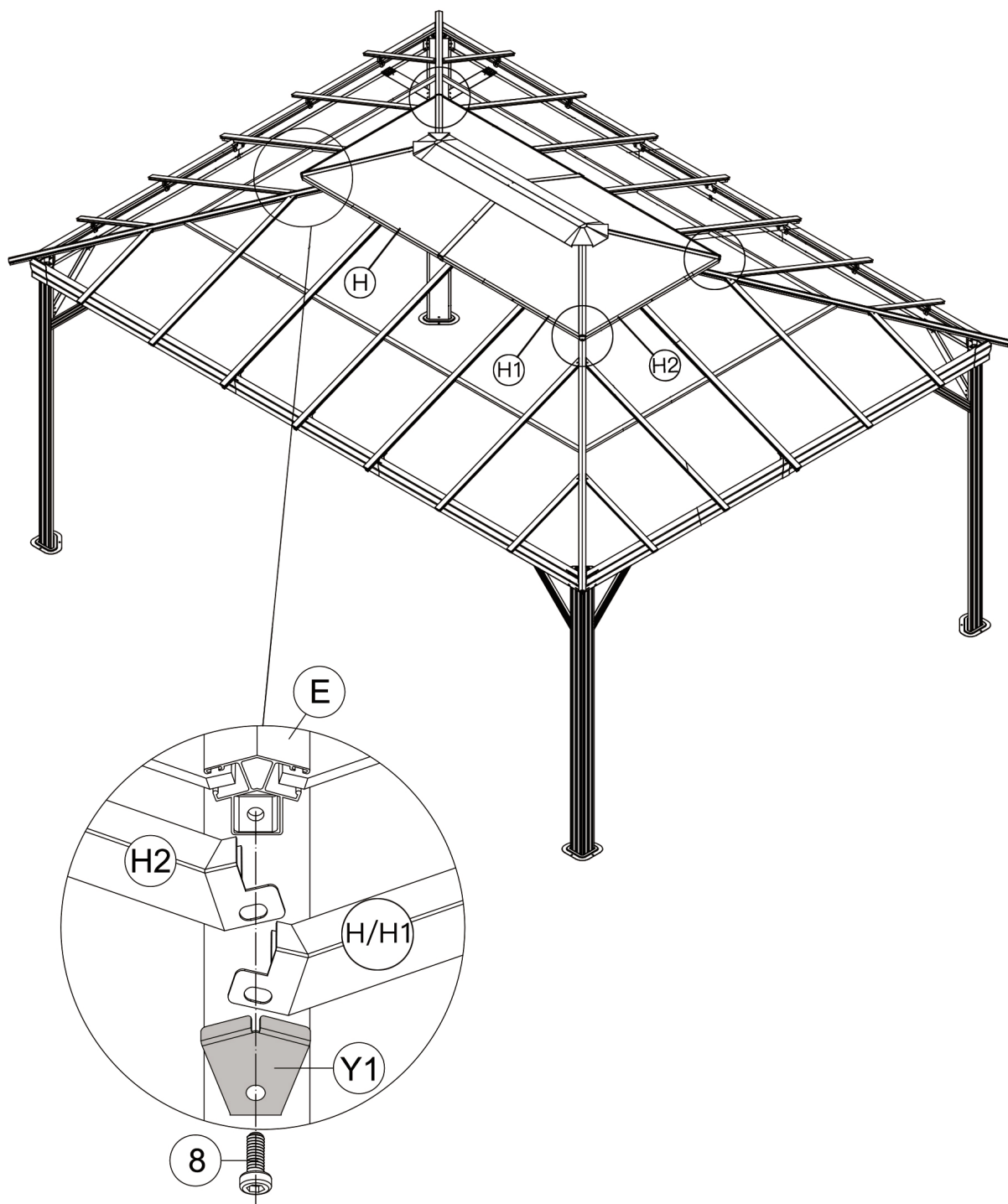


M6x16

8 4x



Y1 4x



Outside View

- (1) Place Part #H/H1 and Part #H2 on Part #E; put on part #Y1 and secure with Bolt #8.
- (2) Repeat these procedures to assemble the other three corners.