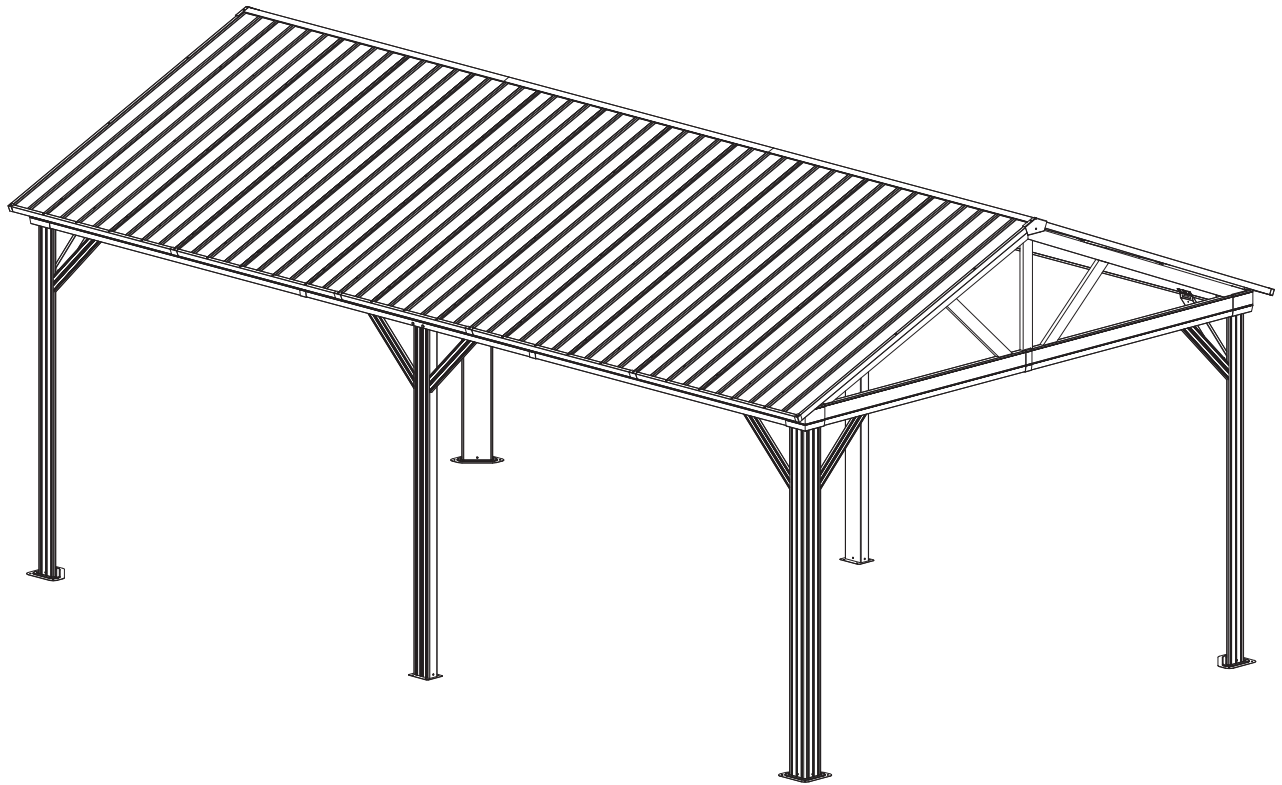


# 12' × 20' Metal Gazebo

## **ASSEMBLY MANUAL**



MODEL#: LGMF1559

## Pre-assembly



1. Two or more people are required for assembly.



2. You will need one or more stepladders.



3. Wearing protective gloves is recommended.



4. You may need a safety hat.



5. Please use a Phillips screw driver.



6. For ease of construction, you may need a drill.



7. You may need a safety goggle.



8. Do not fully tighten screws prior to complete assembly.

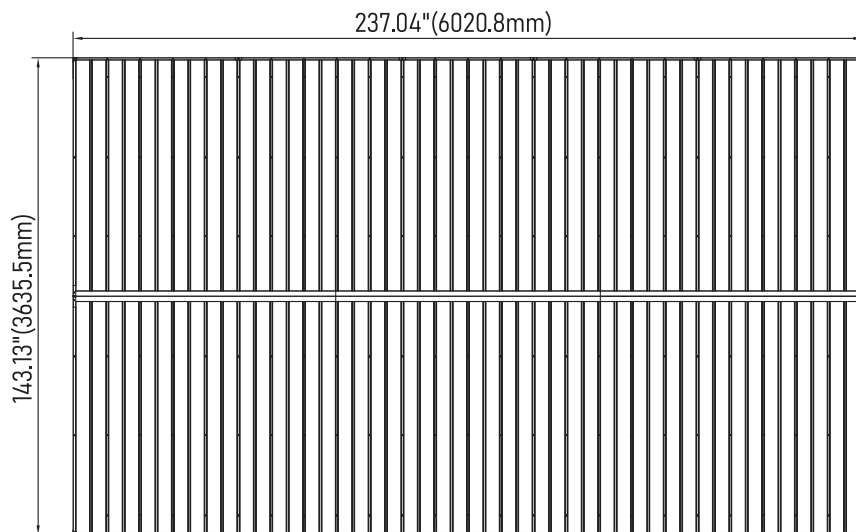
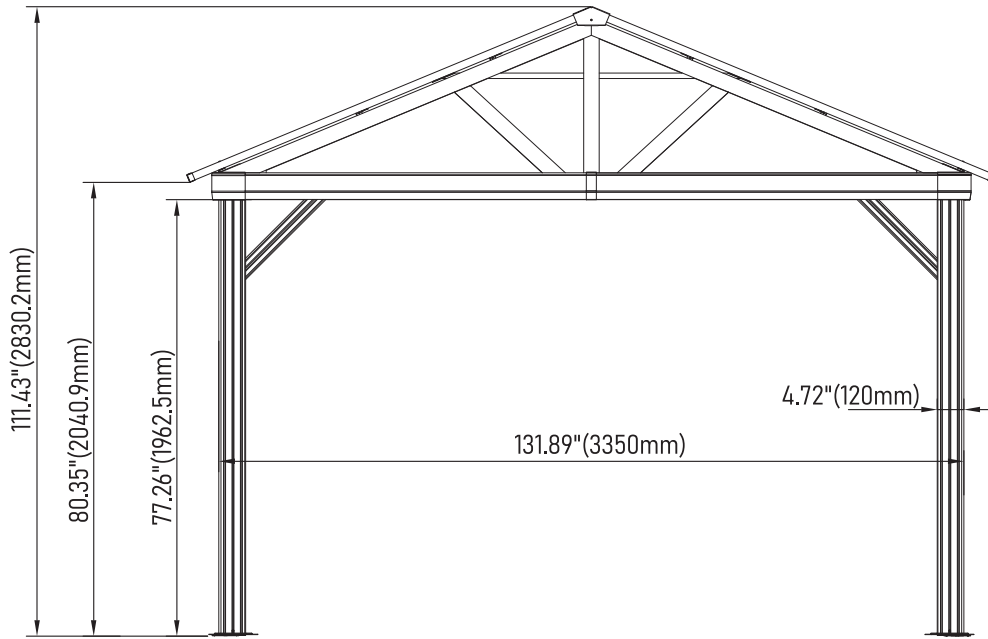
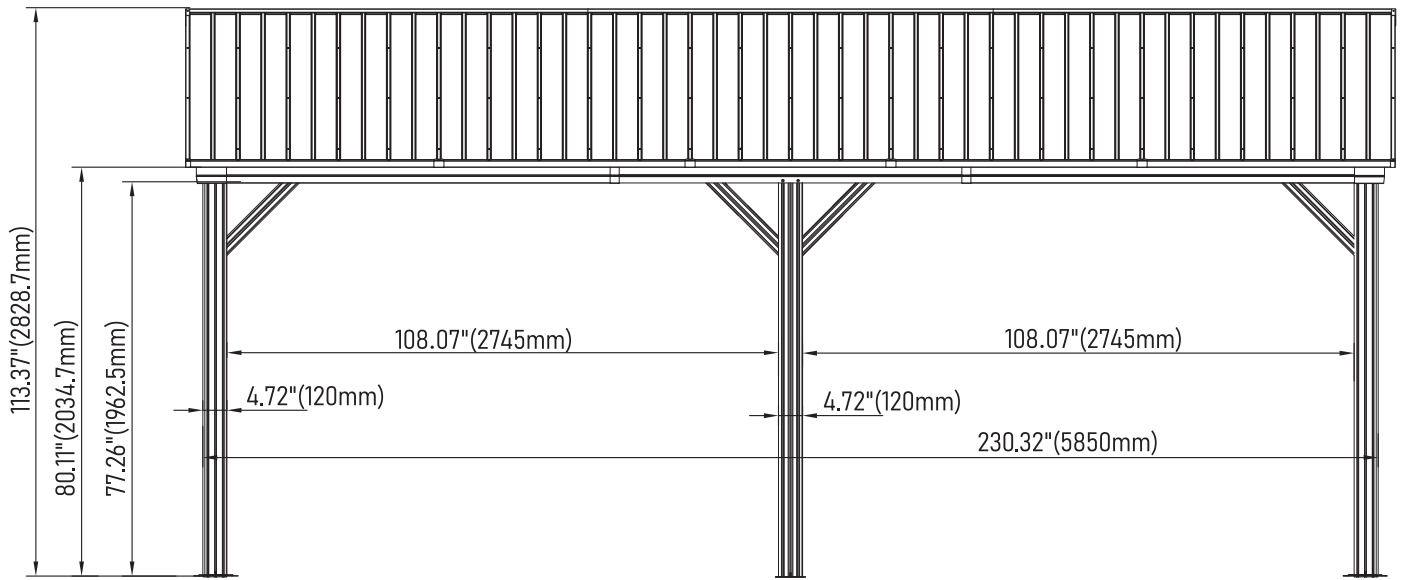
## Warning & Attention

-Try to assemble this product on the flat ground, otherwise it is difficult to carry out;

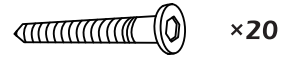
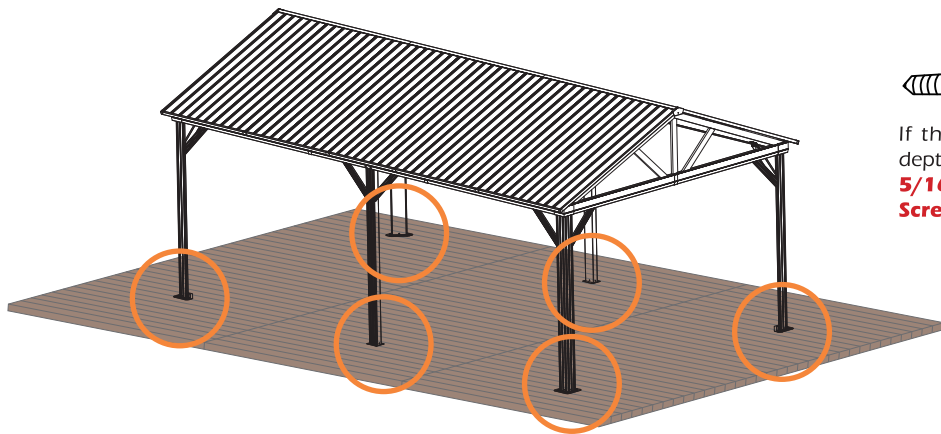
-It would be much easier to assemble the product with three or more people;

-After assembly, please check whether all screws are tightened, to prevent parts from falling apart.

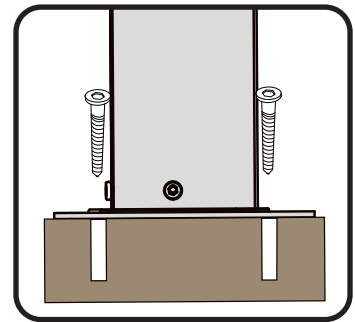
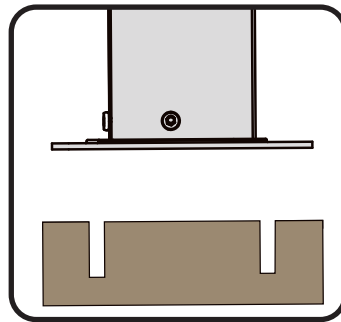
▲ Use bolts to secure the frame to the ground to against the strong wind.



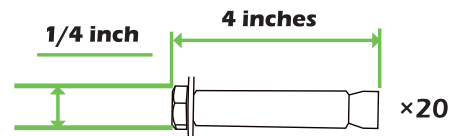
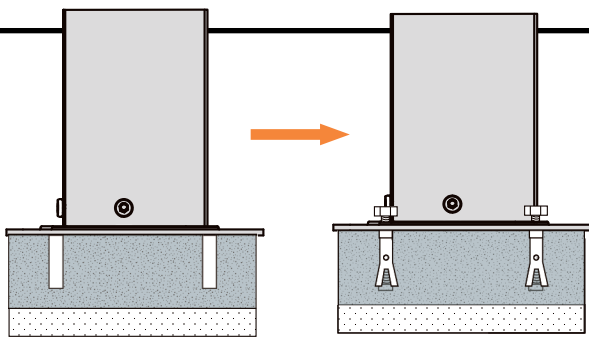
1



If the deck is hard wood and the depth of it is over 3 inch, you can use **5/16 in. x4 in. Structural Wood Screw** to mount the gazebo.



2



If the ground is concreted and the depth of it is over 3 inch, you can use 1/4 inch expansion bolts to mount the gazebo

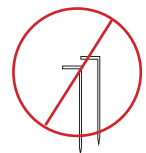
3



Or you can make a concrete footing for gazebo, **15x15x15 inches** is recommended. use expansion bolts to mount the gazebo like (2) shows.



**IMPORTANT:**  
Anchor is not recommended



Part list



A 4x Pole



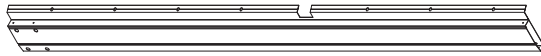
A1 2x Pole



C 2x Beam



C1 2x Beam



C2 2x Beam



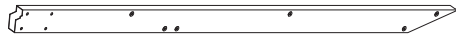
C3 2x Beam



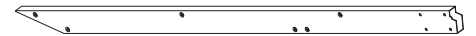
C4 2x Beam



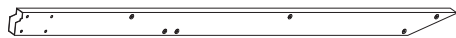
D 2x Corner Roof Support Tube



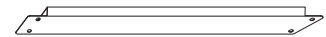
D1 2x Corner Roof Support Tube



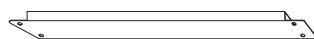
D2 1x Middle Roof Support Tube



D3 1x Middle Roof Support Tube



E 3x Roof Solidifying Bar



E1 3x Roof Solidifying Bar



E2 3x Roof Solidifying Bar



F 1x Middle Roof Tube

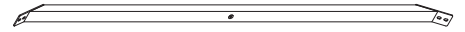


F1 1x Middle Roof Tube

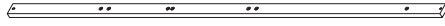
Part list



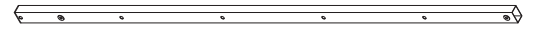
(F2) 1x Middle Roof Tube



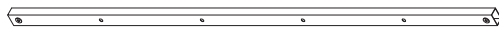
(G) 4x Roof Support Tube



(H) 8x Roof Support Tube



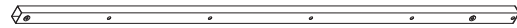
(J) 4x Solidifying Tube



(J1) 8x Solidifying Tube



(J2) 4x Solidifying Tube



(J3) 4x Solidifying Tube



(K) 2x Finishing Bar



(K1) 2x Finishing Bar



(L) 2x Finishing Bar



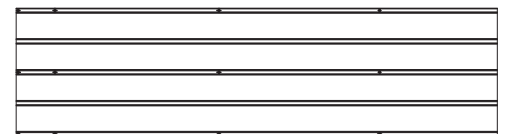
(L1) 4x Finishing Bar



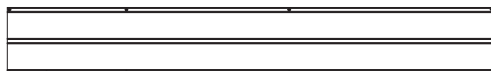
(L2) 2x Finishing Bar



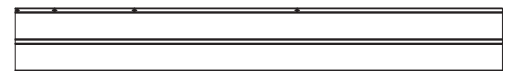
(L3) 2x Finishing Bar



(M) 22x Roof Panel

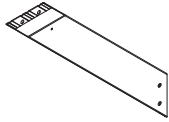


(M1) 2x Roof Panel

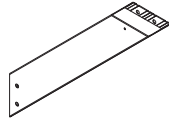


(M2) 2x Roof Panel

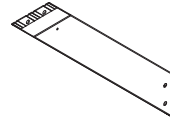
# Part list



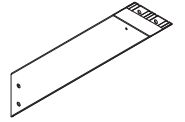
**N** 4x Corner Solidifying Bar



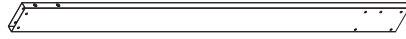
**N1** 4x Corner Solidifying Bar



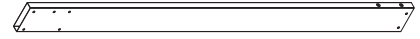
**N2** 2x Middle Solidifying Bar



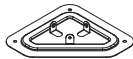
**N3** 2x Middle Solidifying Bar



**P** 1x Middle Beam



**P1** 1x Middle Beam



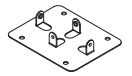
**B** 4x Base



**B1** 12x Joint Bracket



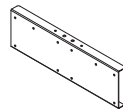
**B2** 8x Joint Bracket



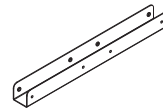
**B3** 2x Base



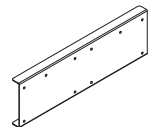
**B4** 4x Bracket



**Q** 6x Beam Union Connector



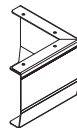
**Q1** 2x Middle Roof Tube Connector



**Q2** 1x Middle Beam Union Connector



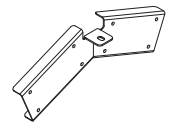
**R** 6x Joint Cover



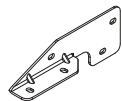
**R1** 4x Corner Cover



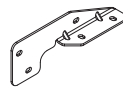
**R2** 8x Plastic Cover



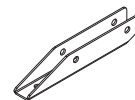
**S** 3x Corner Roof Tube Connector



**S1** 2x Joint Bracket



**S2** 2x Joint Bracket



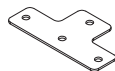
**S3** 2x Bracket



**T** 8x Bracket



**T1** 8x Bracket



**T2** 16x Bracket



**T3** 4x Bracket



**U** 4x Joint Bracket



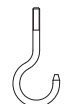
**V** 2x Fixing Bracket



**V1** 4x Fixing Bracket



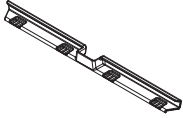
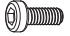
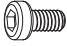
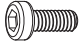
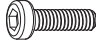

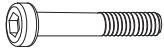



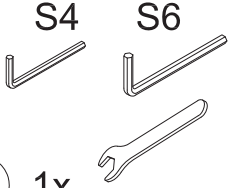



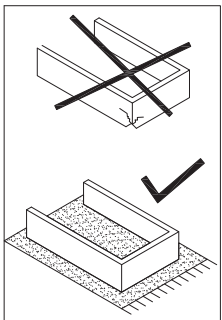
**V2** 8x Fixing Bracket



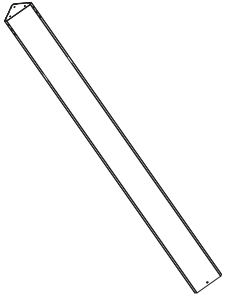
**W** 4x Hook

Part list

 <b>X</b> 2x	 <b>Y</b> 196x Spacer	 <b>Z</b> 48x Plastic Bracket	 <b>1</b> 48x M5x16
 <b>2</b> 24x M6x10	 <b>3</b> 355x M6x16	 <b>4</b> 24x M6x20	 <b>5</b> 80x M6x28
 <b>6</b> 88x M6x45	 <b>7</b> 32x M6x15	 <b>8</b> 60x ST5x13	 <b>9</b> 176x
 <b>10</b> 1x S4 S6	 <b>11</b> 8x M6x40		







A 4x



B 4x



B1 8x



B2 8x



M5x16

1 40x



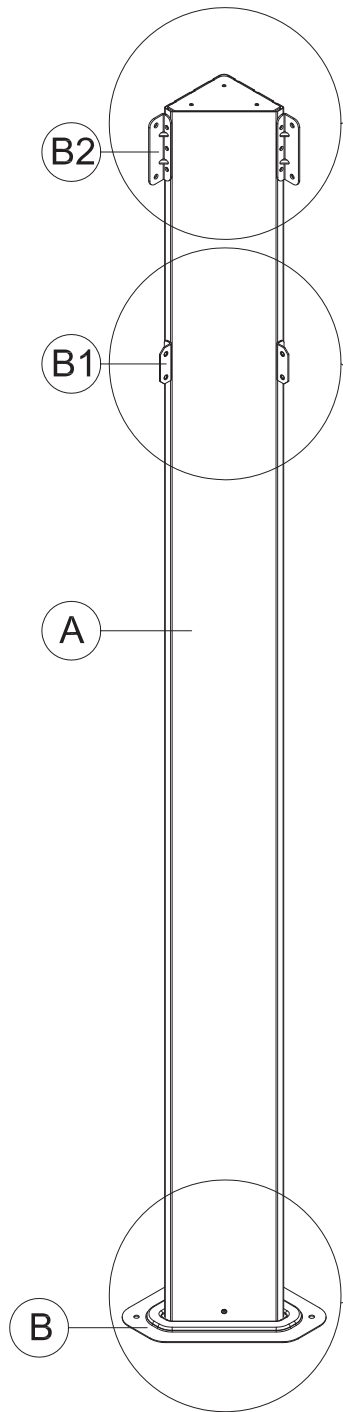
M6x16

3 12x

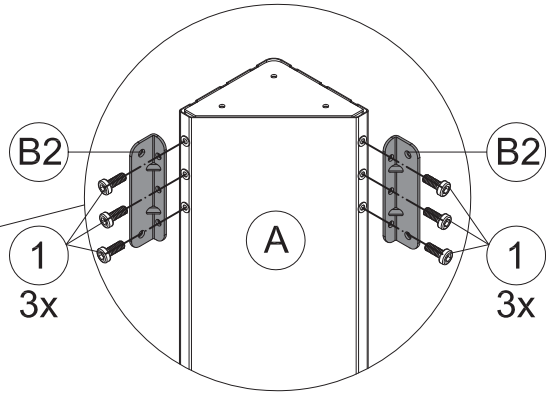


10 1x

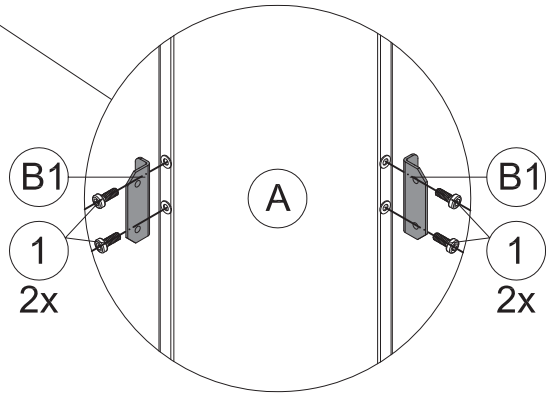
5



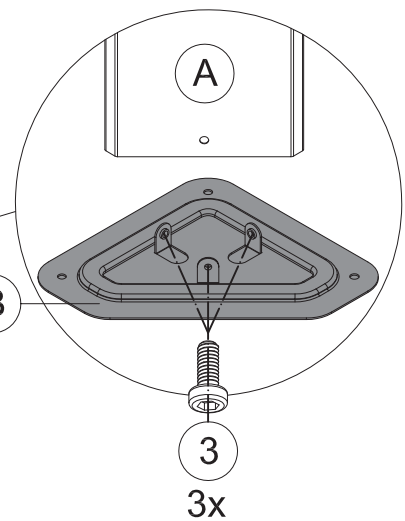
X4



(1) Attach part #B2 to part #A with 6 bolts #1.

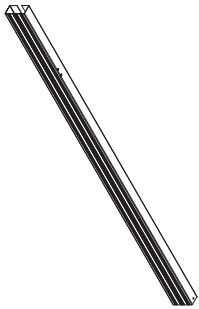


(2) Attach part #B1 to part #A with 4 bolts #1.



(3) Attach part #B to part #A with 3 bolts #3.

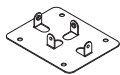
(4) Repeat the above procedures to assemble the other 3 poles #A.



A1 2x



B1 4x



B3 2x



M5x16

1 8x



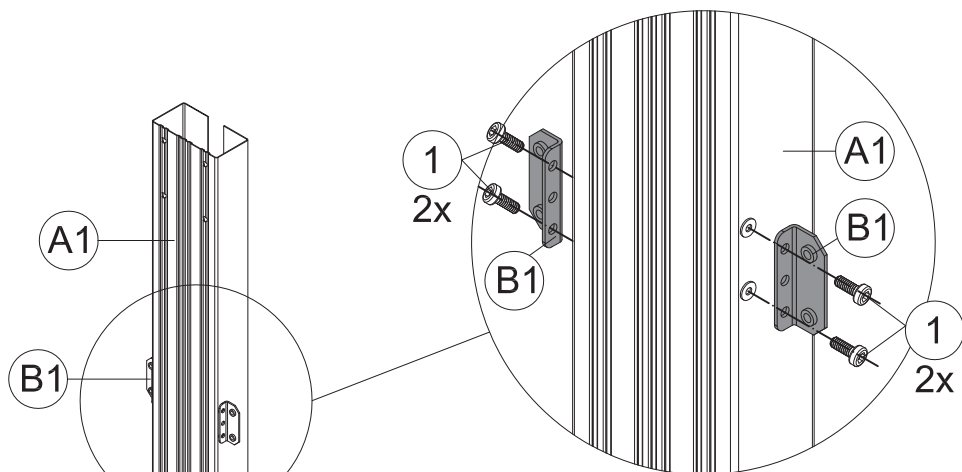
M6x16

3 8x

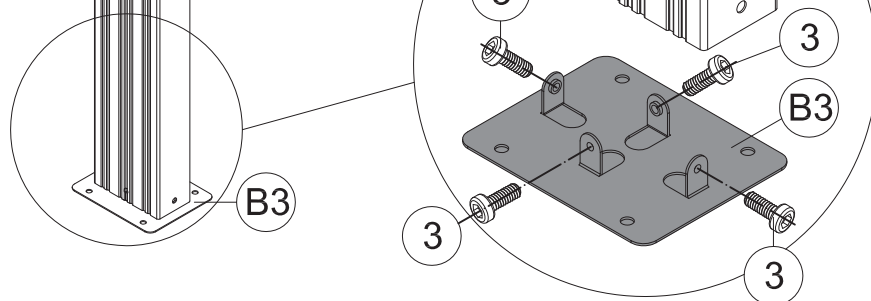


S4

10 1x



(1) Attach part #B1 to part #A1 with 4 bolts #1.

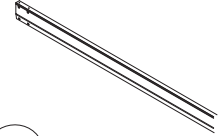
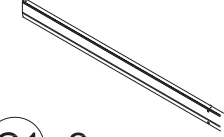

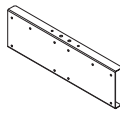
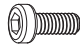





(2) Attach part #B3 to part #A1 with 4 bolts #3.

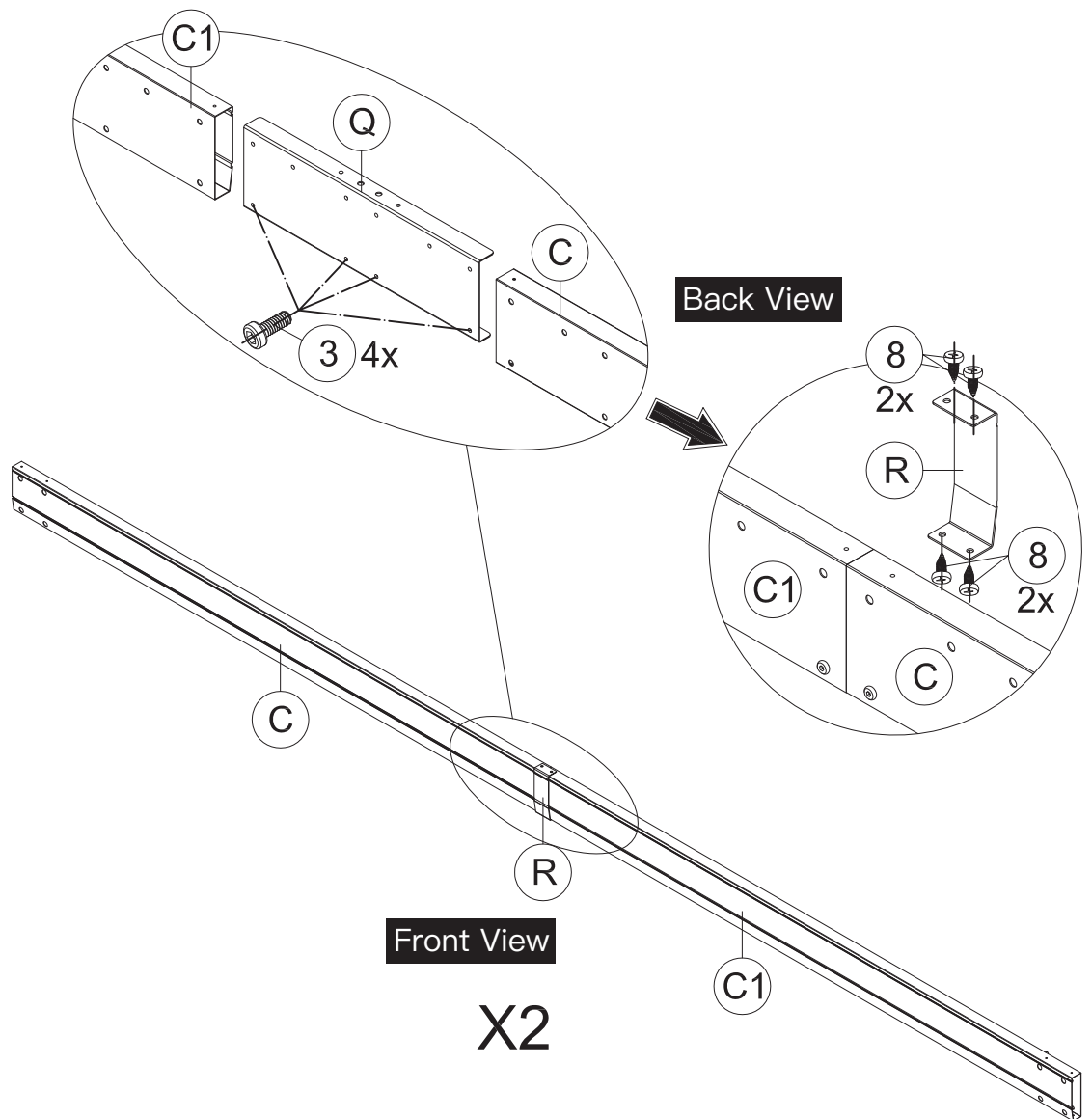
X2

(3) Repeat the above procedures to assemble another pole #A1.

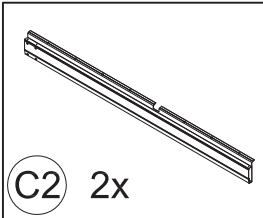
6


<b>C</b> 2x

<b>C1</b> 2x

<b>R</b> 2x

<b>Q</b> 2x

<b>3</b> 4x M6x16

<b>8</b> 8x ST5x13

<b>8</b> 8x

<b>10</b> 1x S4
<b>7</b>

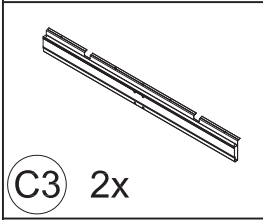
- (1) Insert one side of part #Q into part #C1 and secure with 2 bolts #3.
- (2) Insert the other side of part #Q into part #C and secure with 2 bolts #3.
- (3) Place part #R to the assembled beam, secure with 4 bolts #8.



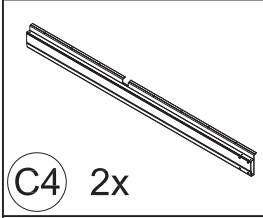
- (4) Repeat the above procedures to assemble another part #C and part #C1.



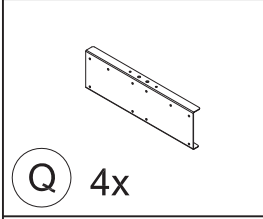
C2 2x



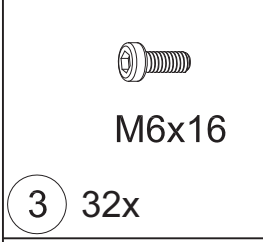
C3 2x



C4 2x

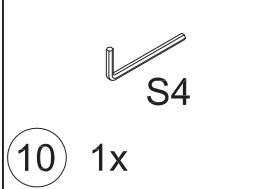


Q 4x



M6x16

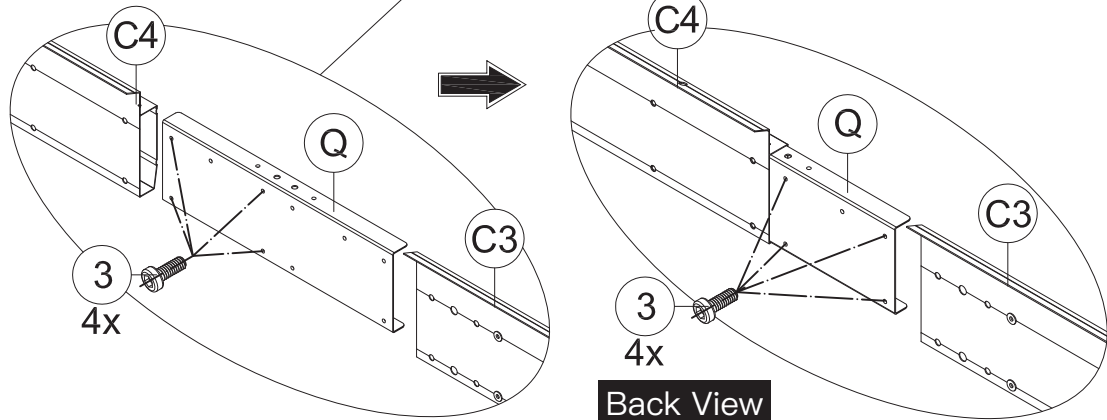
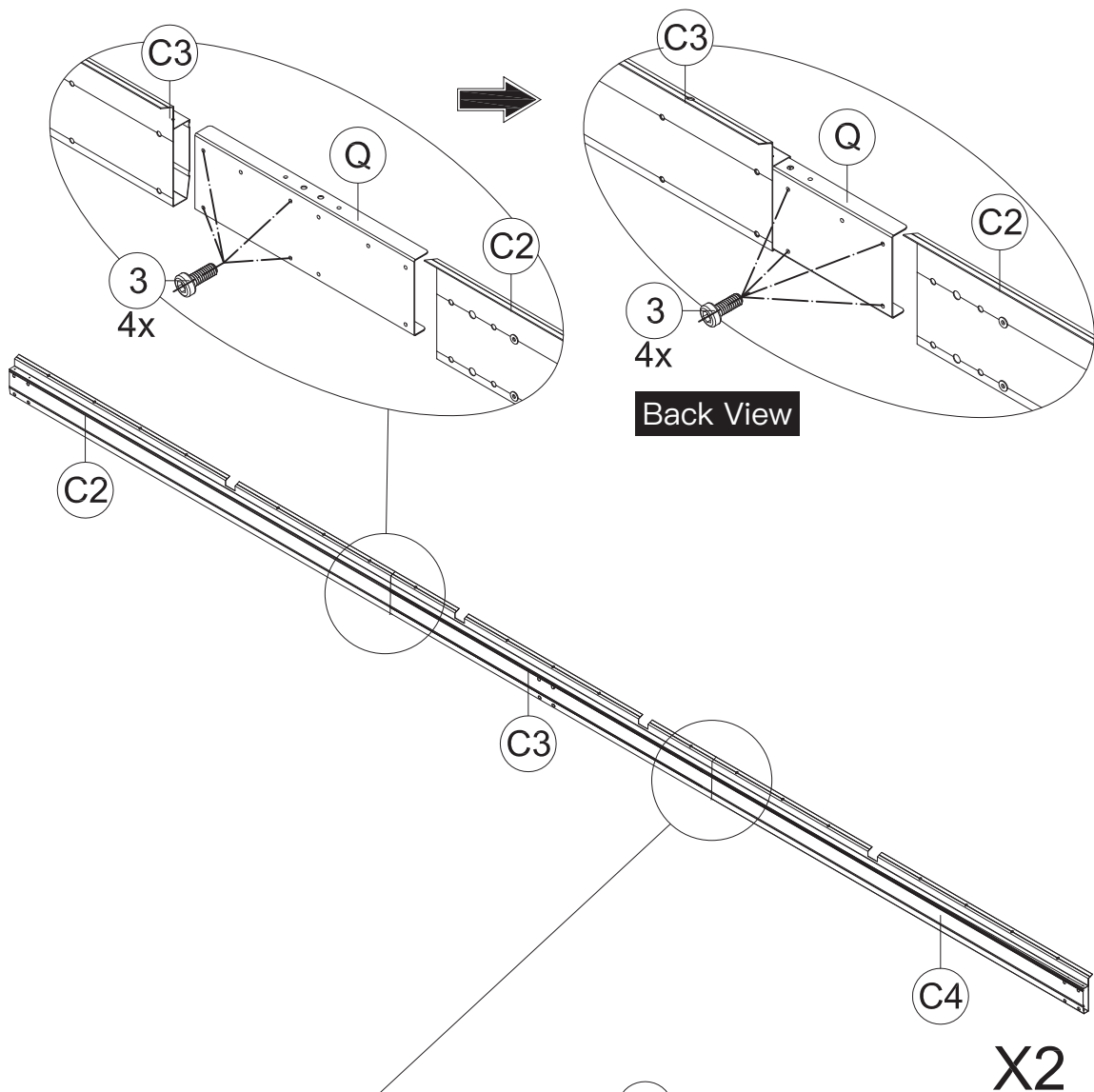
3 32x



S4

10 1x

- (1) Insert one side of part #Q into part #C3 and secure with 4 bolts #3.
- (2) Insert the other side of part #Q into part #C2 and secure with 4 bolts #3.



- (3) Insert one side of part #Q into part #C3 and secure with 4 bolts #3.
- (4) Insert the other side of part #Q into part #C4 and secure with 4 bolts #3.
- (5) Repeat the above procedures to assemble another part #C2, #C3 and #C4.



(R) 4x



(T1) 8x



M6x16

(3) 16x



ST5x13

(8) 16x

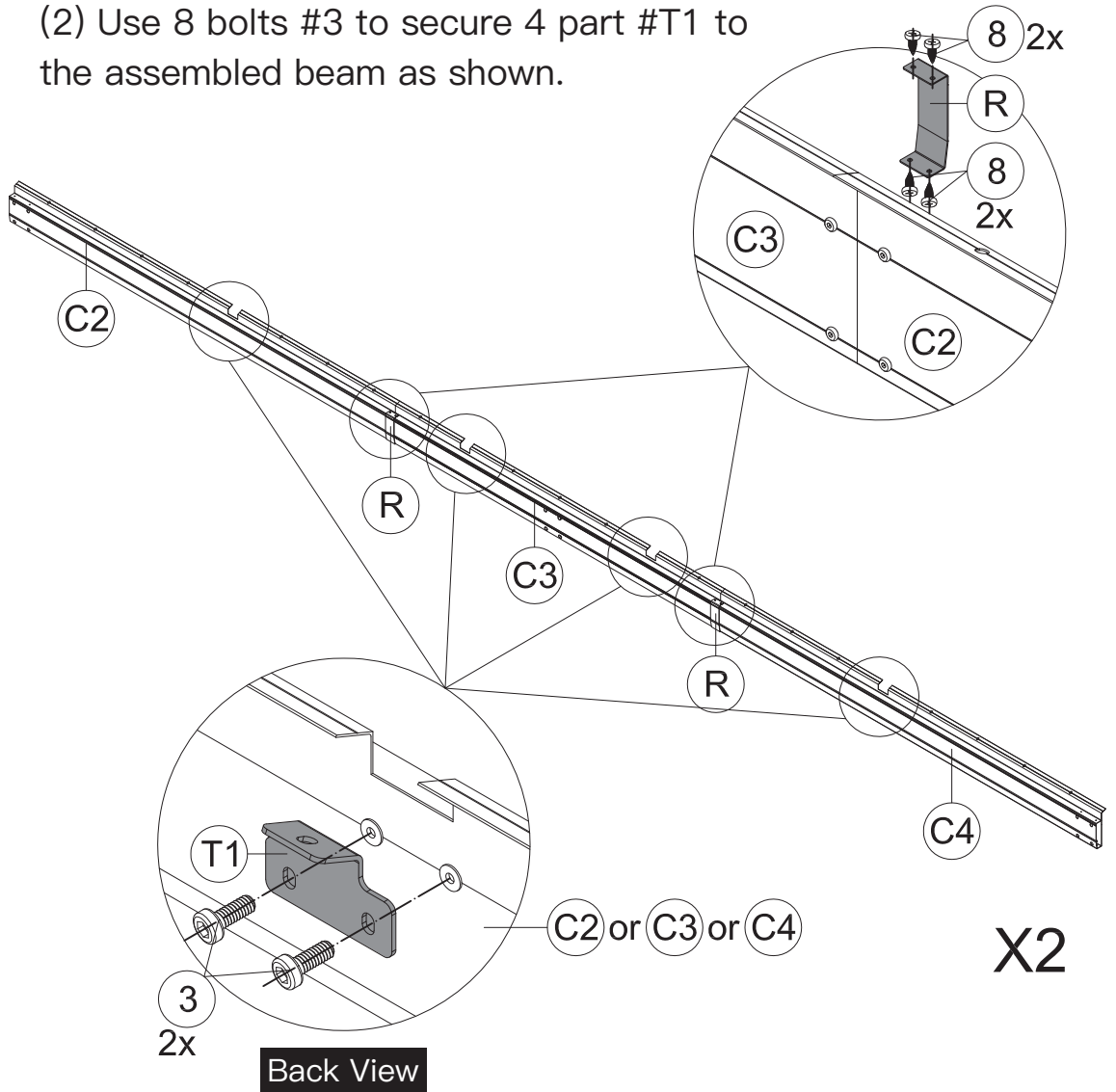


S4

(10) 1x

(1) Place 2 part #R to the assembled beam, secure with 8 bolts #8.

(2) Use 8 bolts #3 to secure 4 part #T1 to the assembled beam as shown.



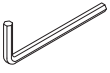
(3) Repeat the above procedures to assemble another part #C2, #C3 and #C4.



M6x15

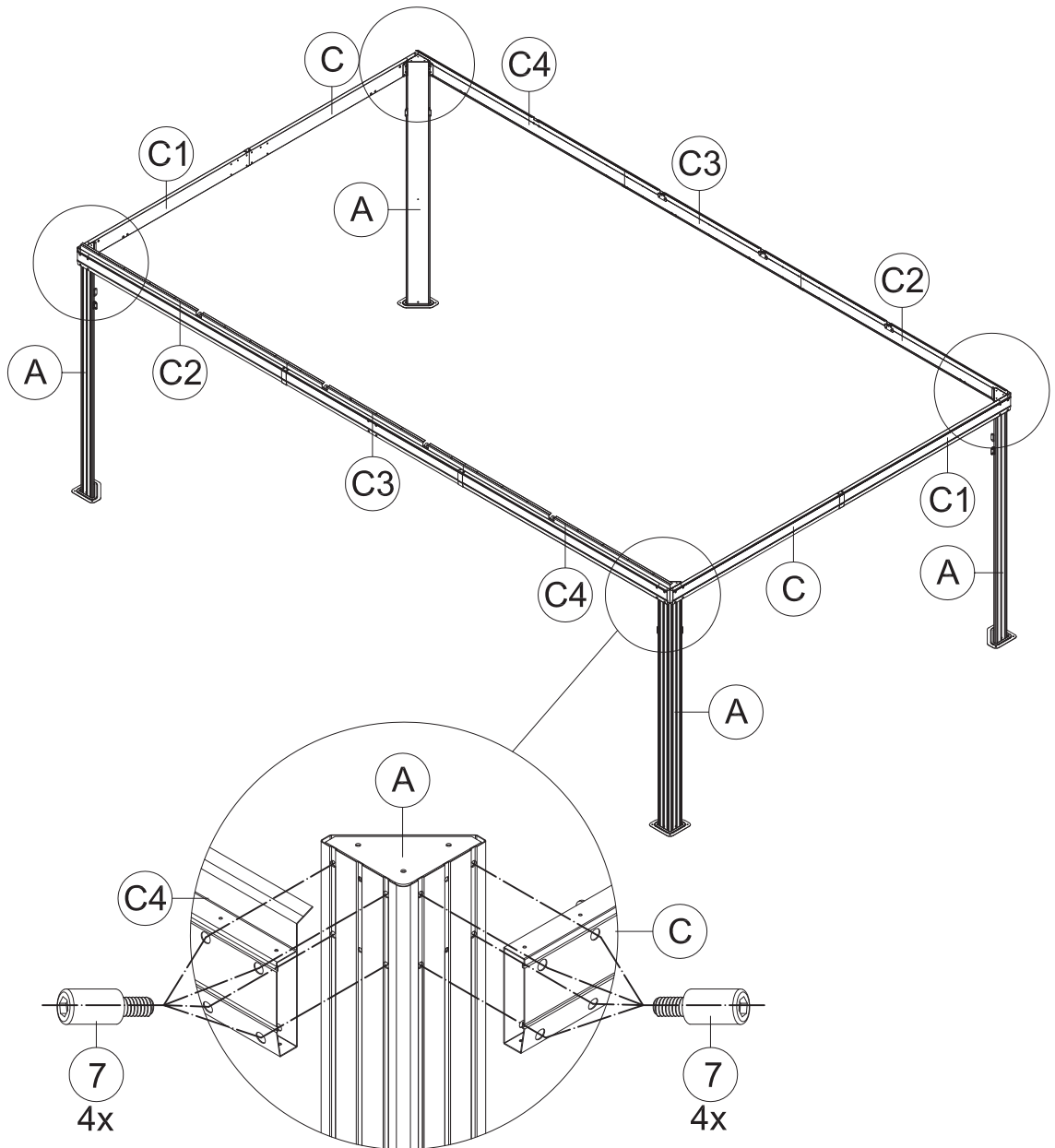
7 32x

S6



10 1x

(1) Connect part #C4 & #C / (#C1 & #C2) with 8 bolts #7.  
(From Outside)



(2) Repeat the above procedures to assemble the other 3 corners.

▲ Please don't fully tighten the bolts.



M6x16

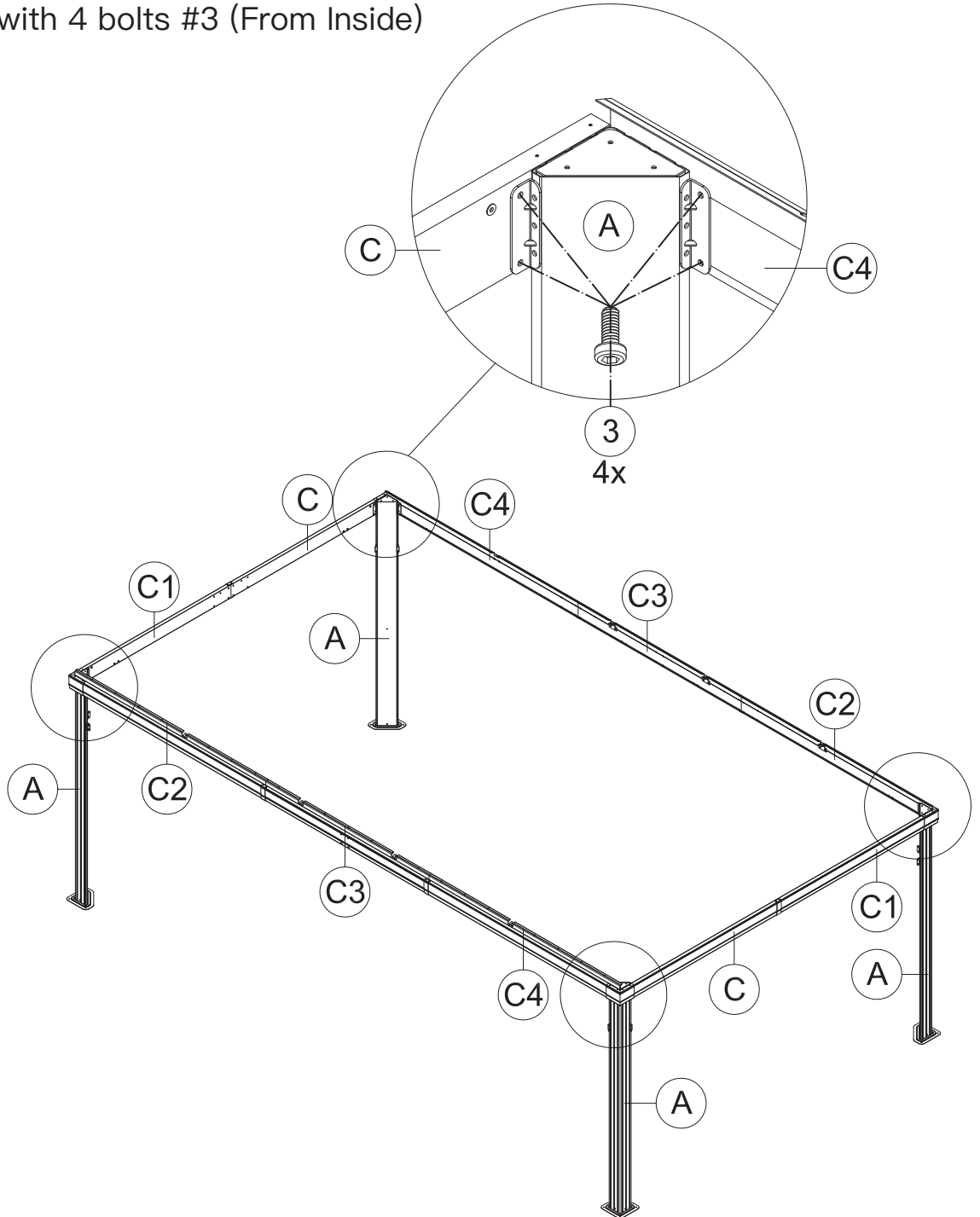
3 16x

S4



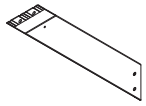
10 1x

(1) Secure part #C4 & #C /(#C1 & #C2) to part #A with 4 bolts #3 (From Inside)

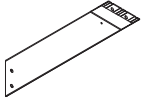


(2) Repeat the above procedures to assemble the other 3 corners.

▲ Please don't fully tighten the bolts.



N 4x



N1 4x



M6x16

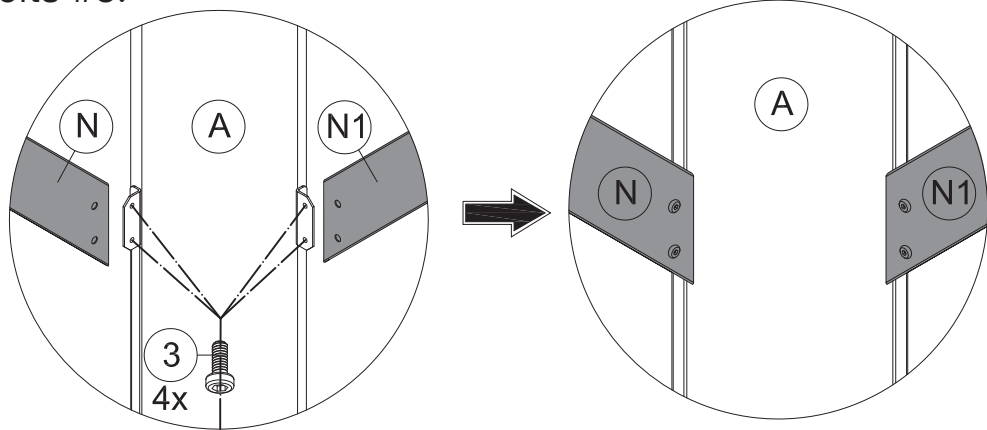
3 32x

S4

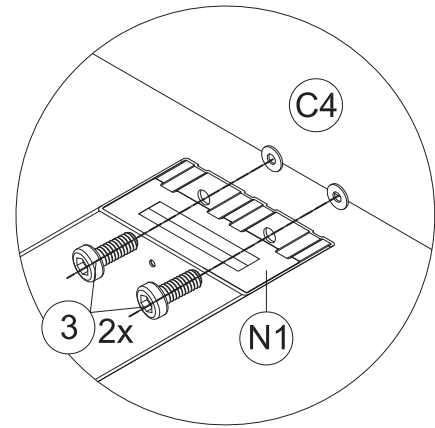
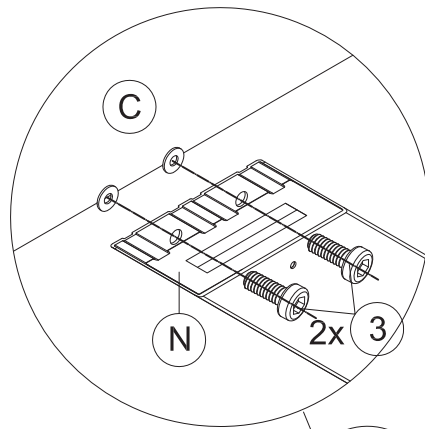


10 1x

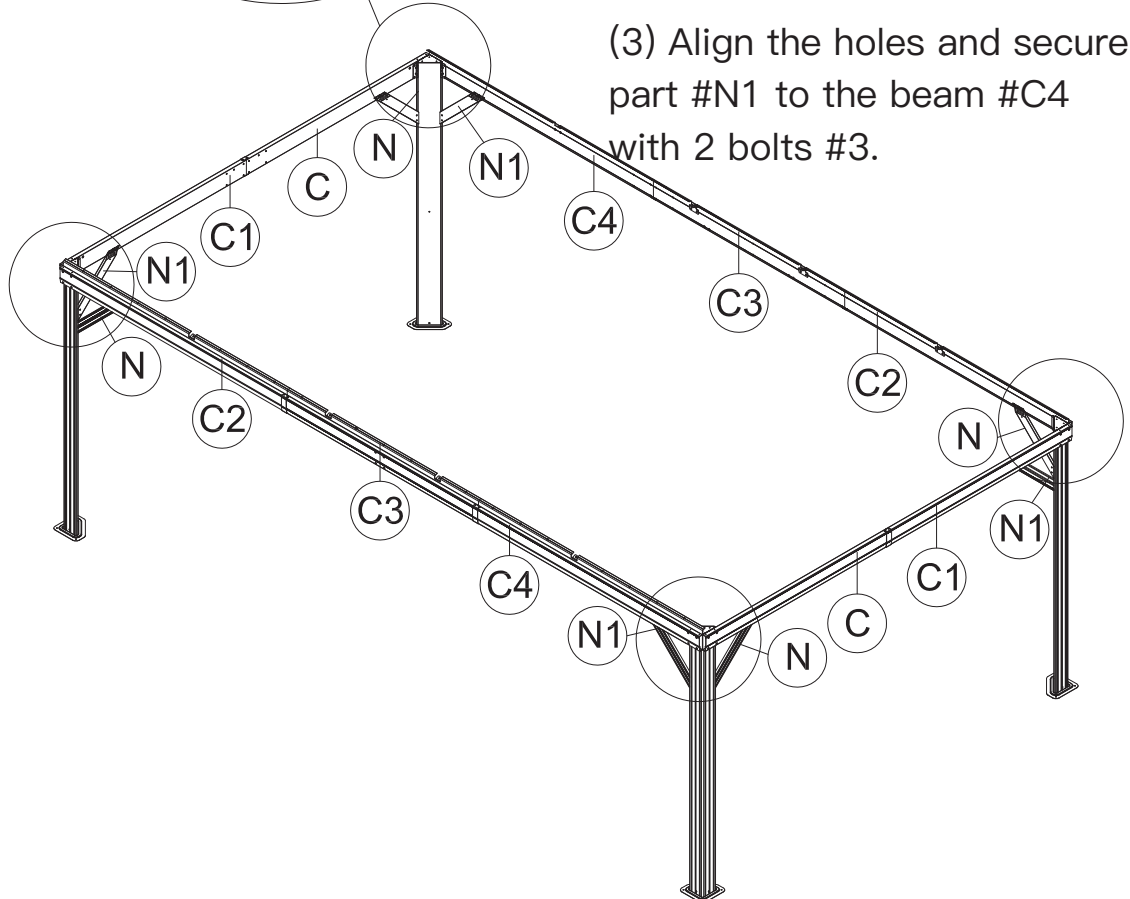
(1) Insert part #N /#N1 to the bracket on the pole #A, secure with 2 bolts #3.



(2) Align the holes and secure part #N to the beam #C with 2 bolts #3.

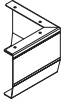


(3) Align the holes and secure part #N1 to the beam #C4 with 2 bolts #3.



(4) Repeat the above procedures to assemble the other 3 corners.  
▲ Tighten all the bolts.



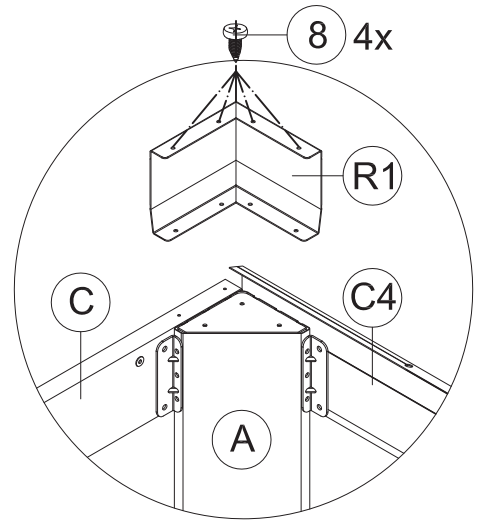
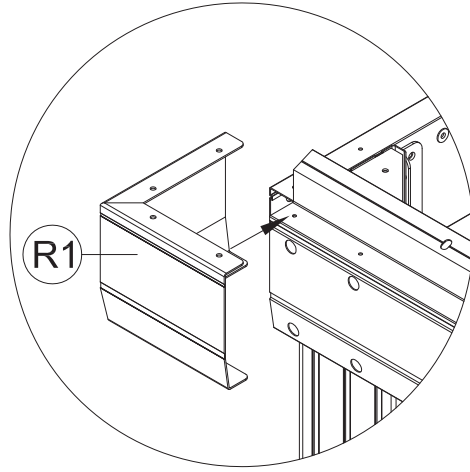


R1 4x

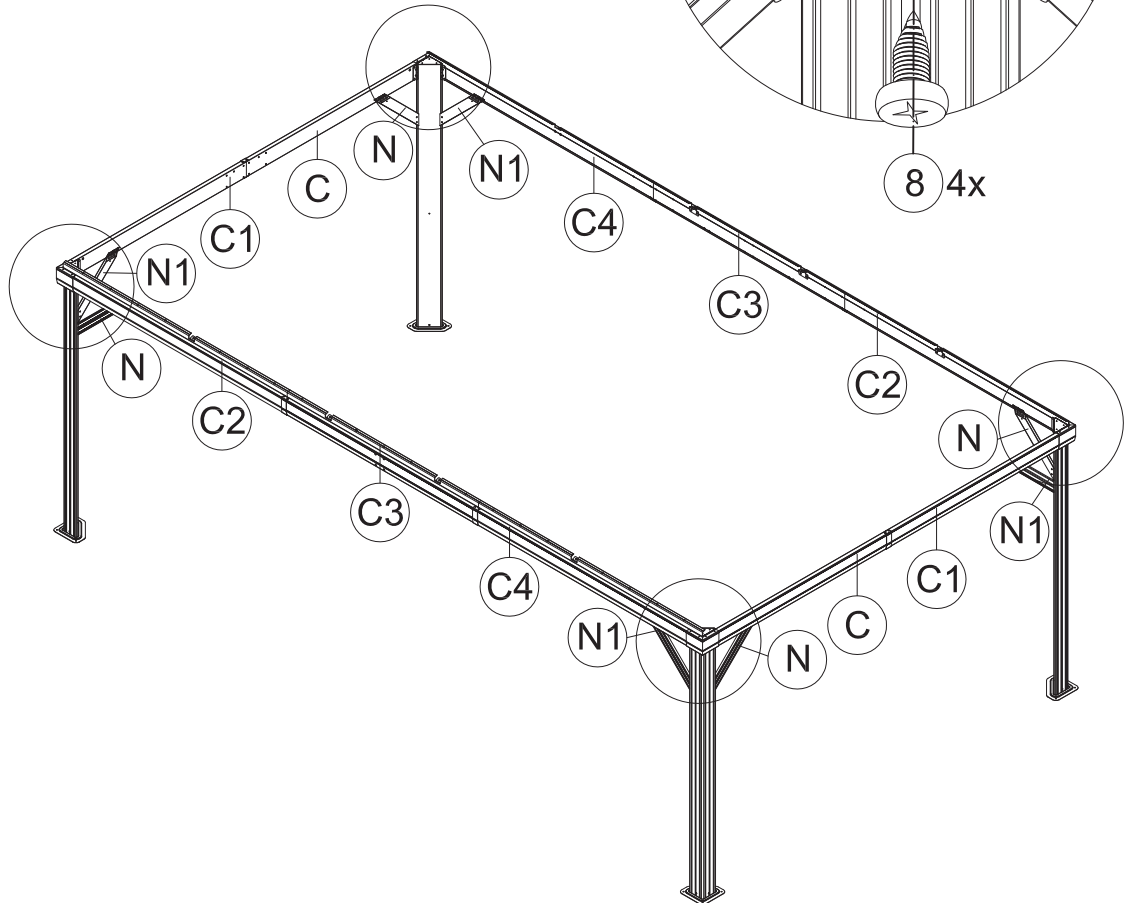
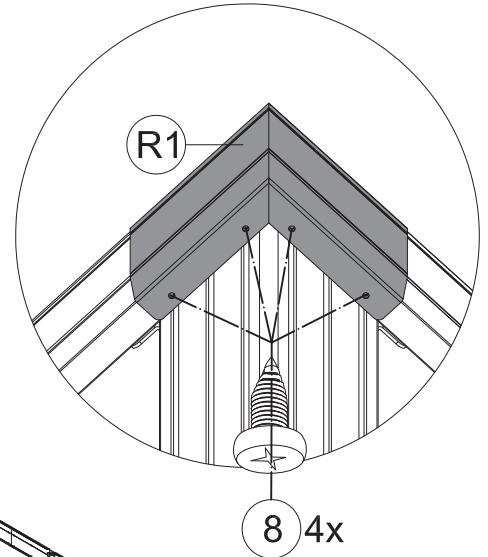


ST5x13

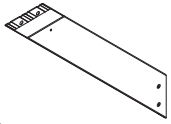
8 32x



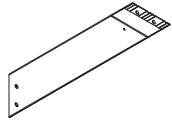
(1) Put the corner cover #R1 on the corner and secure with 8 bolts #8.



(2) Repeat the above procedures to assemble the other 3 corner covers.



N2 2x



N3 2x



M6x16

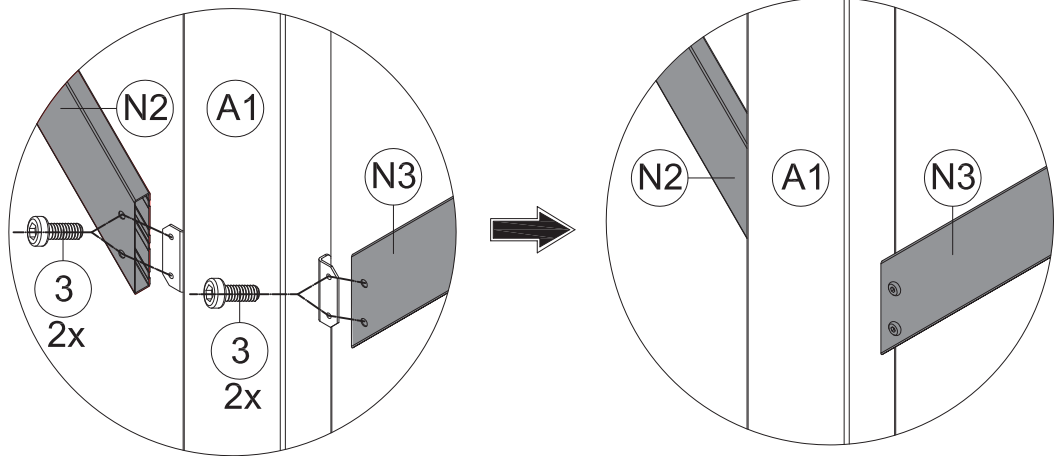
3 16x

S4

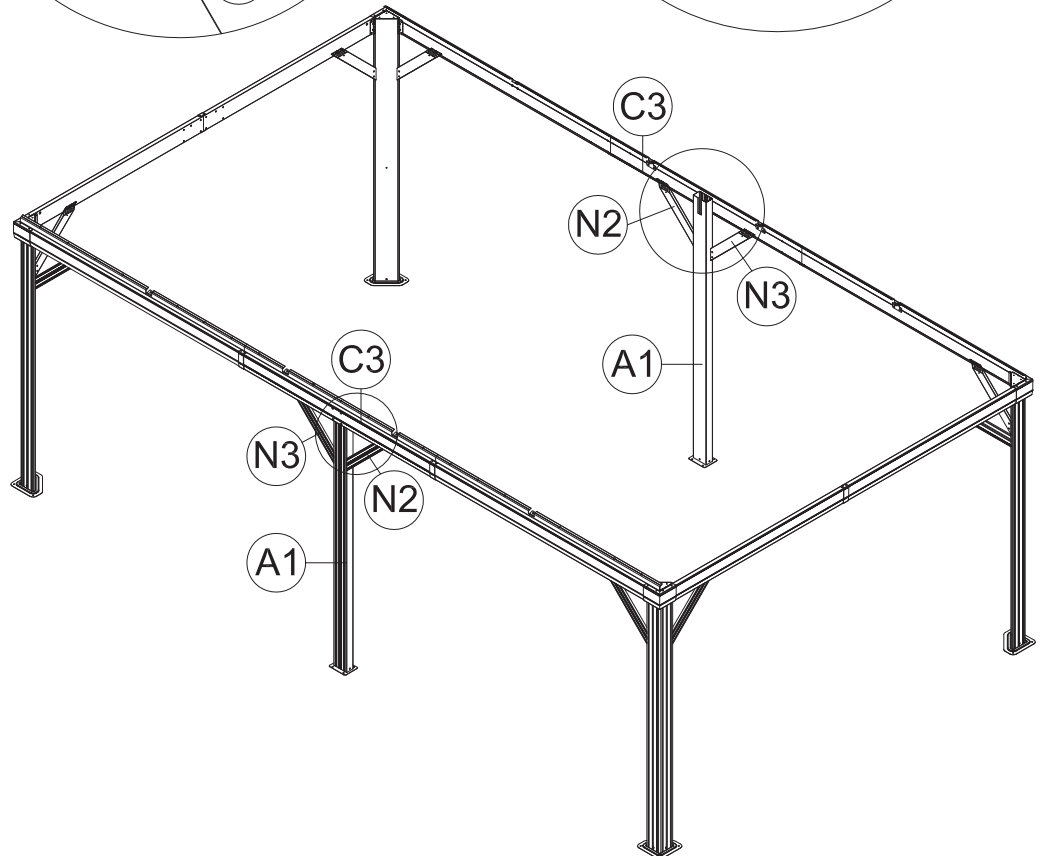
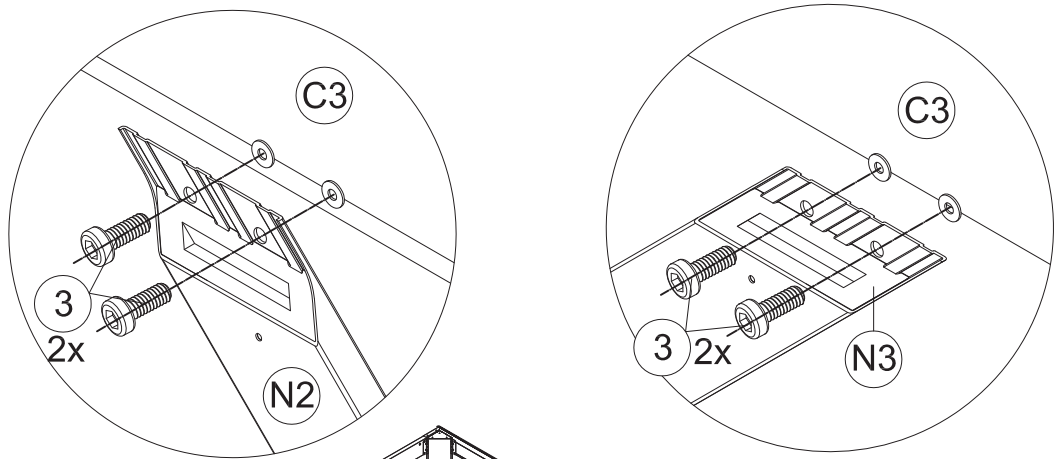


10 1x

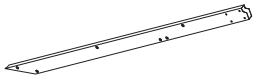
(1) Insert part #N2 /#N3 to the bracket on the middle pole #A1, secure with 2 bolts #3.



(2) Align the holes and secure part #N2 /#N3 to the beam #C3 with 2 bolts #3.



(3) Repeat the above procedures to assemble the opposite side.



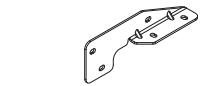
D 2x



D1 2x



S1 2x



S2 2x



T 8x



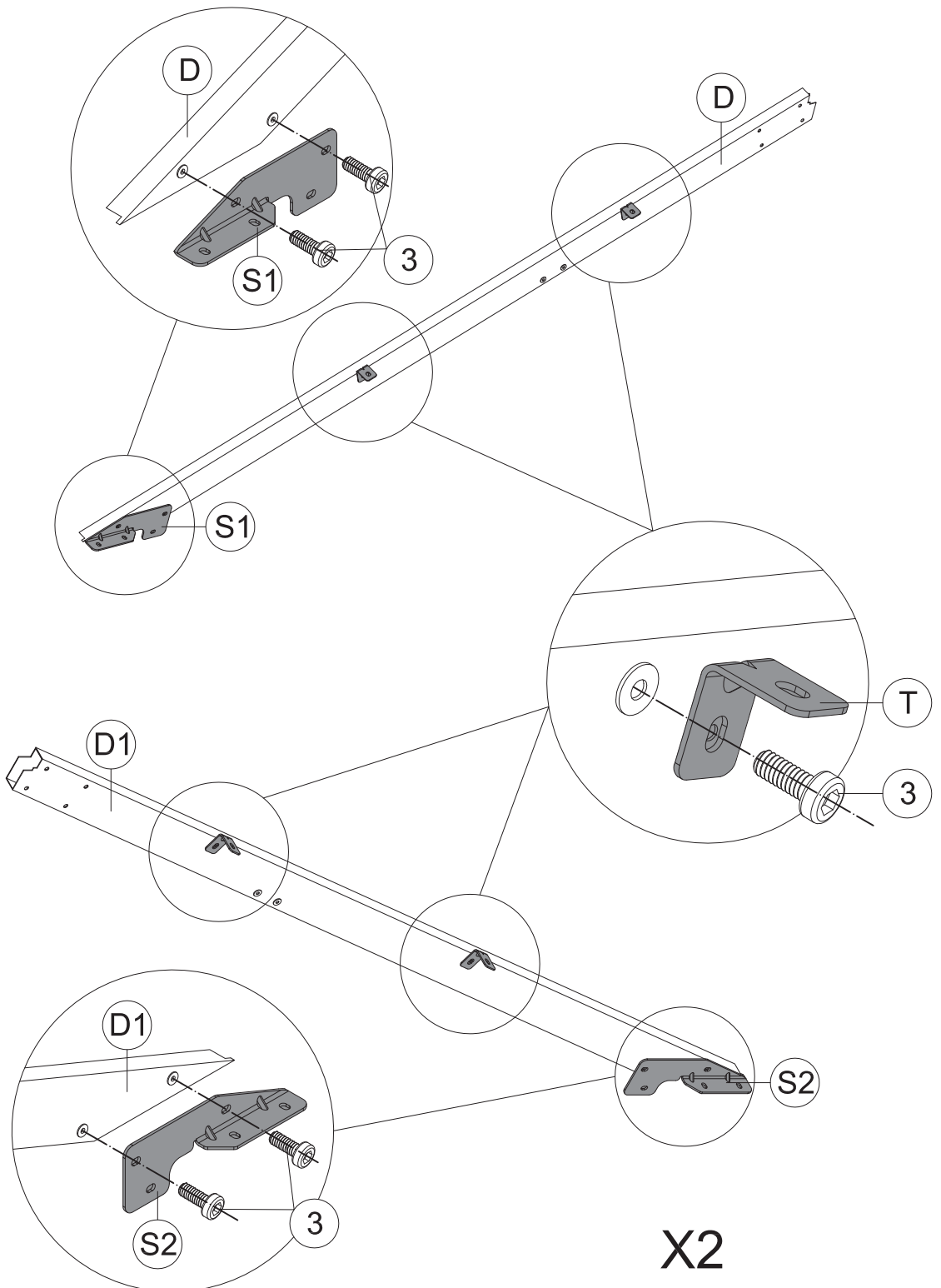
M6x16

3 16x



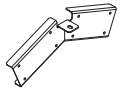
10 1x

(1) Use 2 bolts #3 to secure part #S1 to corner roof support tube #D, use bolts #3 to secure part #T to corner support roof support tube #D as shown.



(2) Use 2 bolts #3 to secure part #S2 to corner roof support tube #D1, use bolts #3 to secure part #T to corner roof support tube #D1 as shown.

(3) Repeat the above procedures to assemble another corner roof support tube #D & #D1.



S 2x



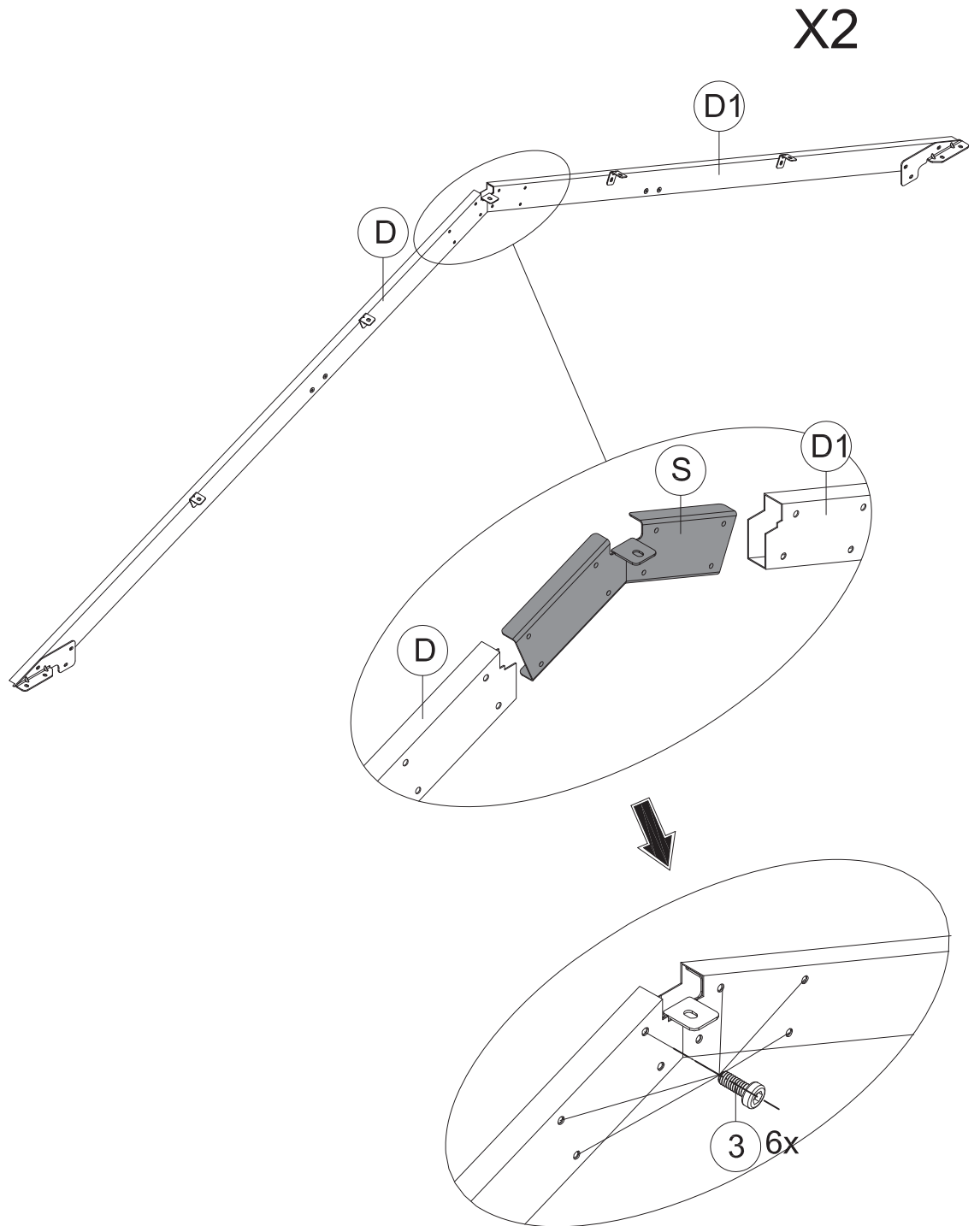
M6x16

3 12x

S4



10 1x



- (1) Insert part #S to part #D and #D1, secure with 6 bolts #3.
- (2) Repeat the above procedures to assemble the opposite side.



M6x16

3

12x

S4



10

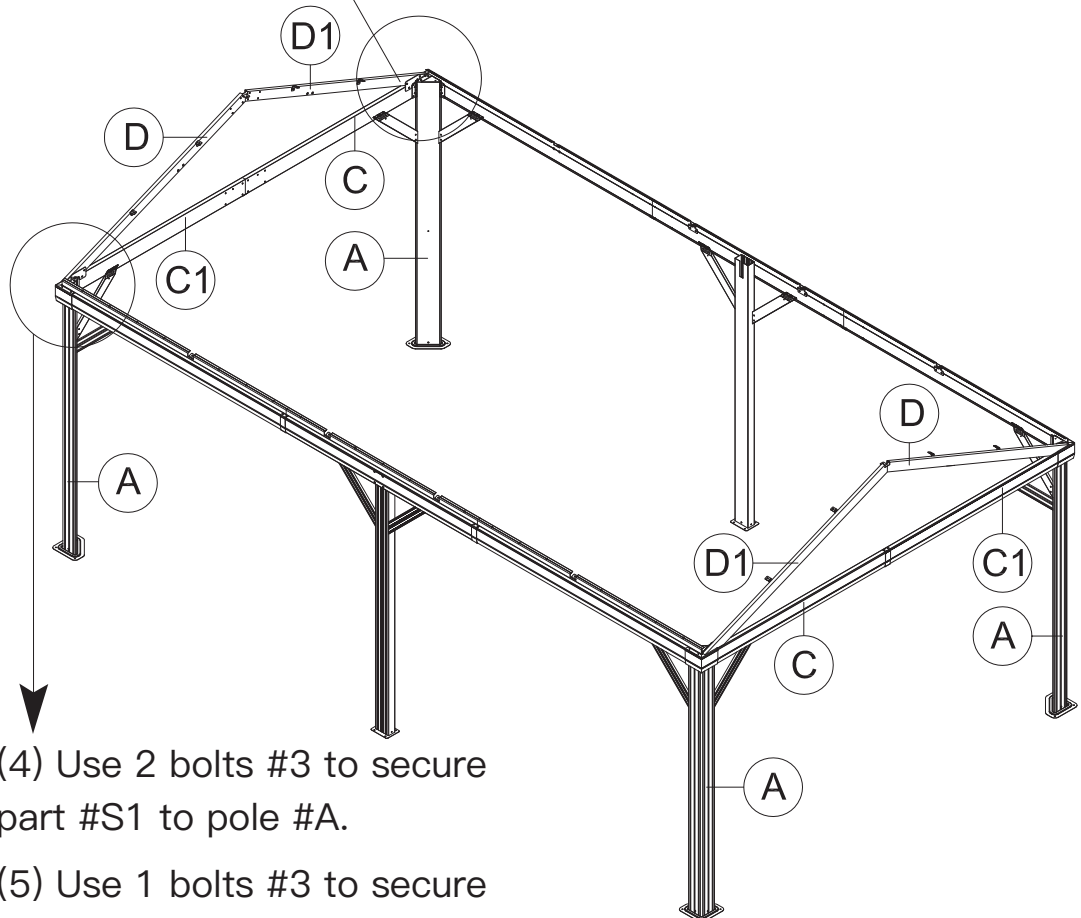
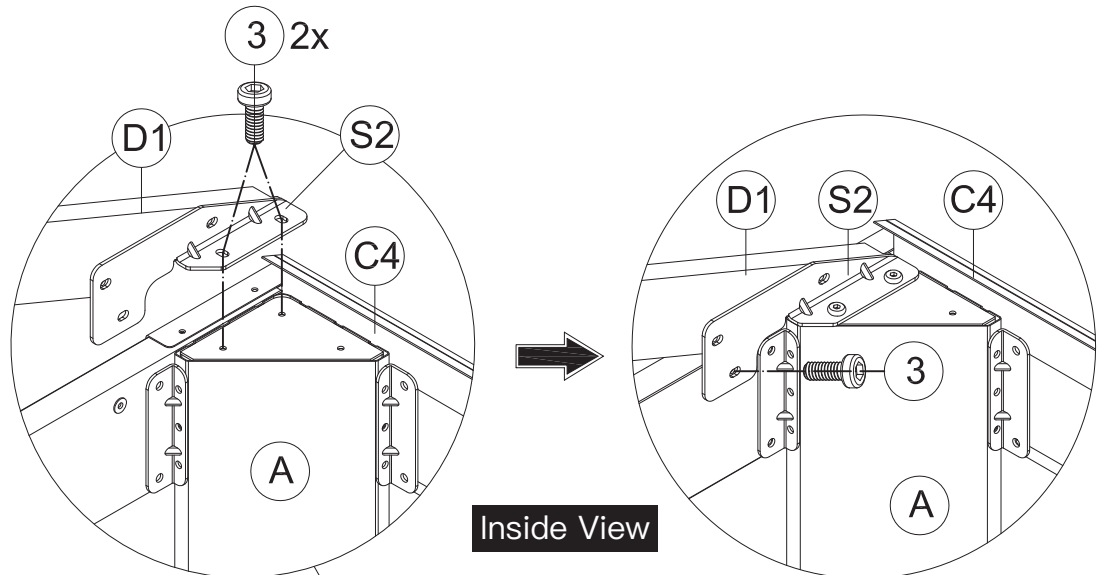
1x

(1) Place the assembled corner roof support tube #D & #D1 on the beam, align the holes as shown.

(2) Use 2 bolts #3 to secure part #S2 to pole #A.

(3) Use 1 bolts #3 to secure part #S2 to beam #C.

**▲ Please don't fully tighten the bolts.**

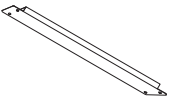
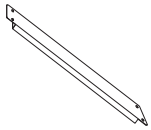
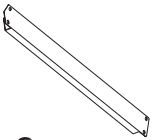
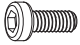





(4) Use 2 bolts #3 to secure part #S1 to pole #A.

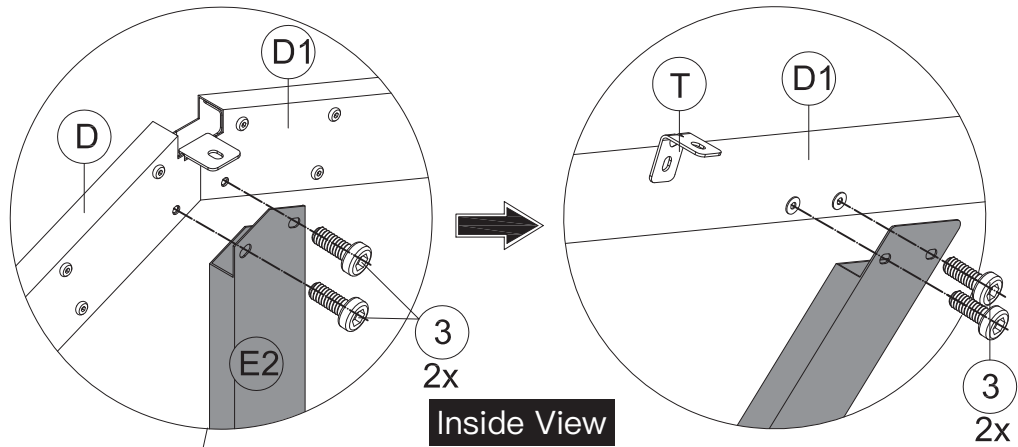
(5) Use 1 bolts #3 to secure part #S1 to beam #C1.

(6) Tighten all the bolts.

(7) Repeat the above procedures to assemble the opposite side.

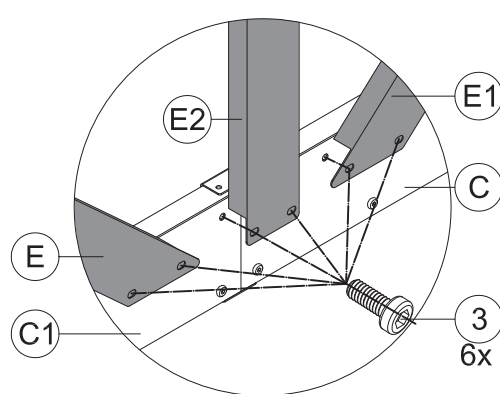
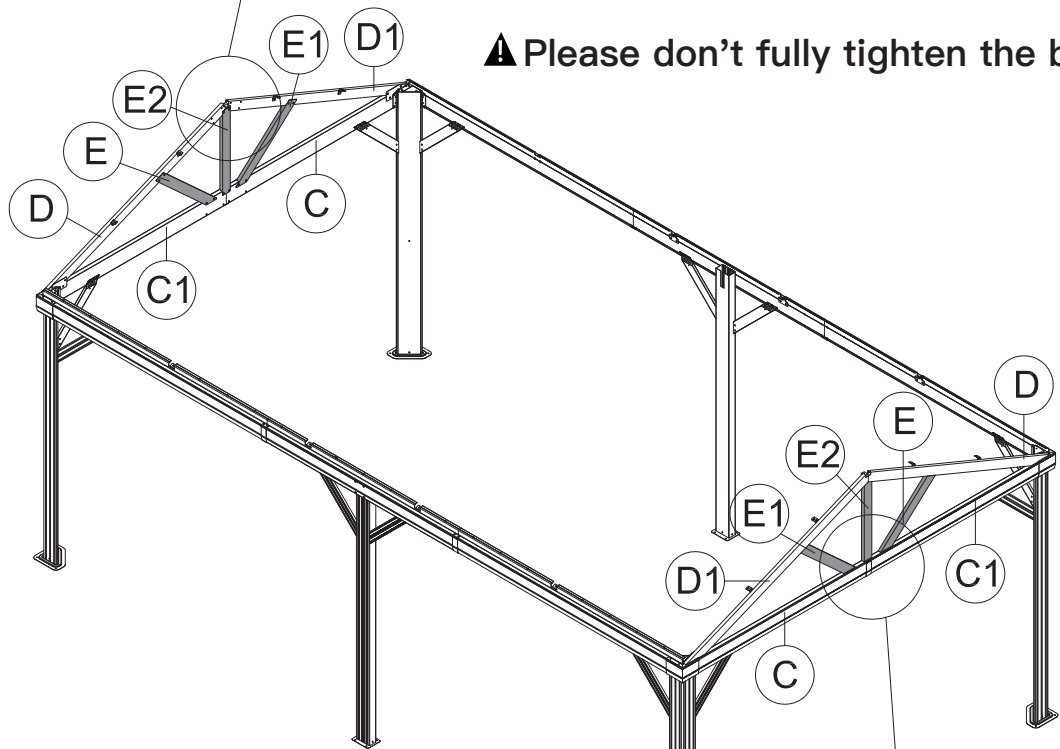
-  E 2x
-  E1 2x
-  E2 2x
-  M6x16
-  3 24x
-  S4
-  10 1x

(1) Use 2 bolts #3 to secure part #E2 /#E /#E1 to the corner roof support tube.

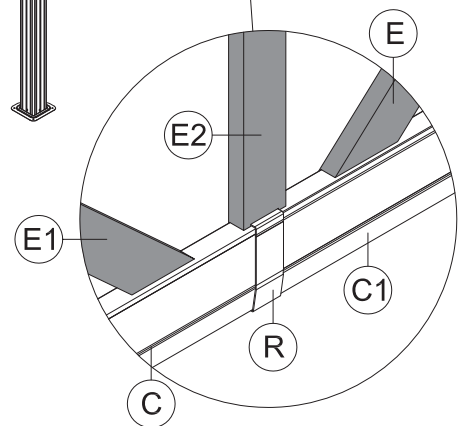


Inside View

▲ Please don't fully tighten the bolts.



Inside View



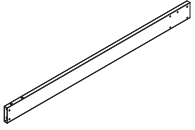
Outside View

(2) Use 2 bolts #3 to secure part #E2 /#E /#E1 to the beam.

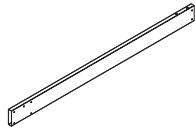
(3) Repeat the above procedures to assemble the opposite side.



B4 4x



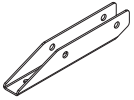
P 1x



P1 1x



Q2 1x

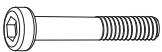


S3 2x



M6x16

3 8x



M6x45

6 4x



9 4x

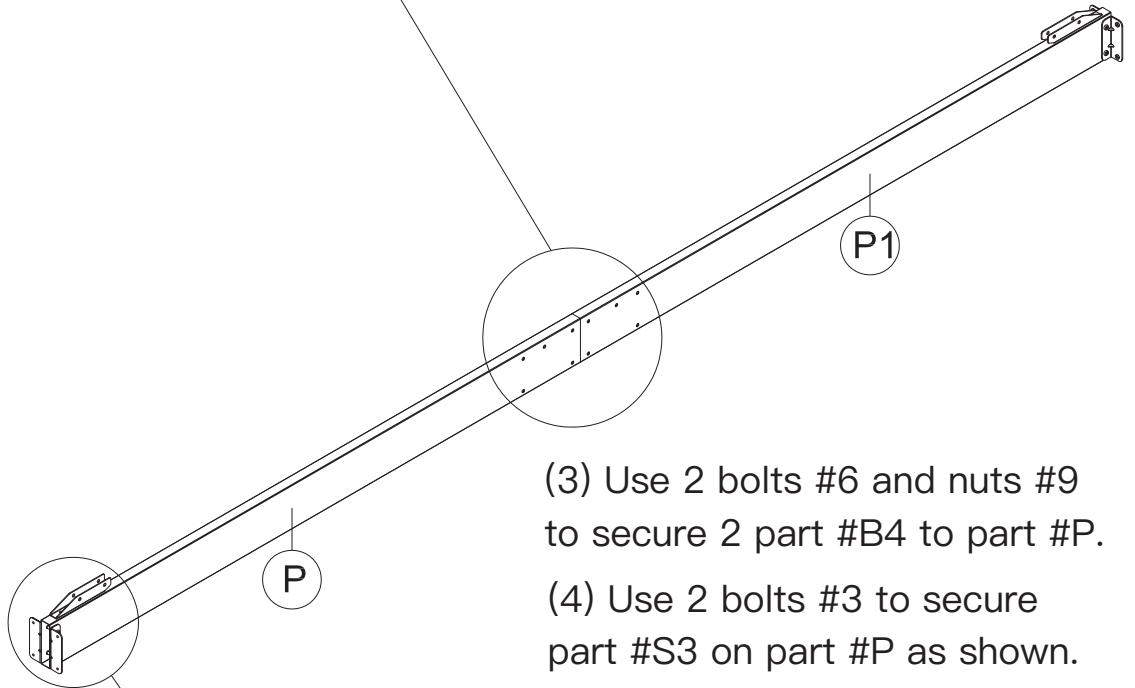
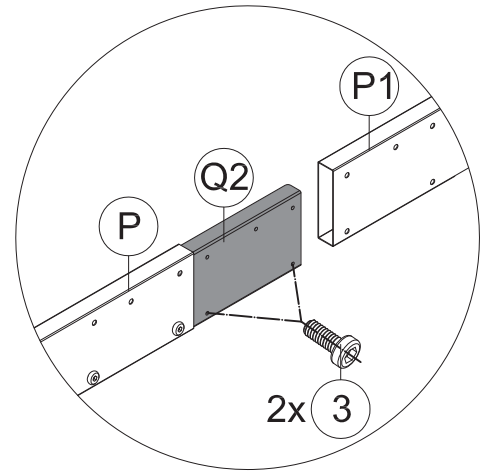
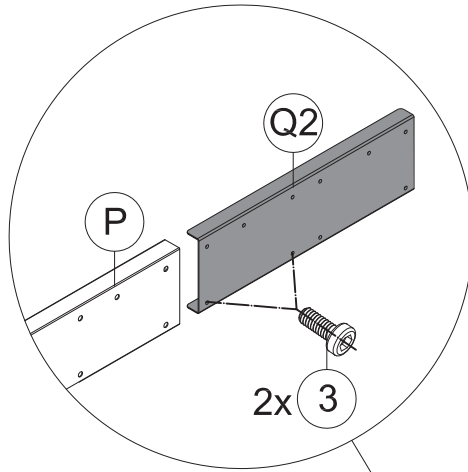
S4



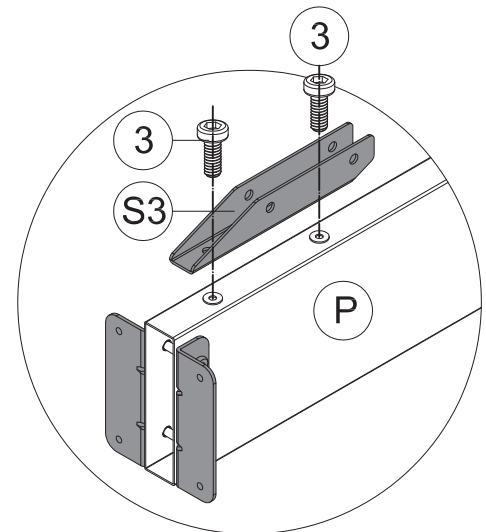
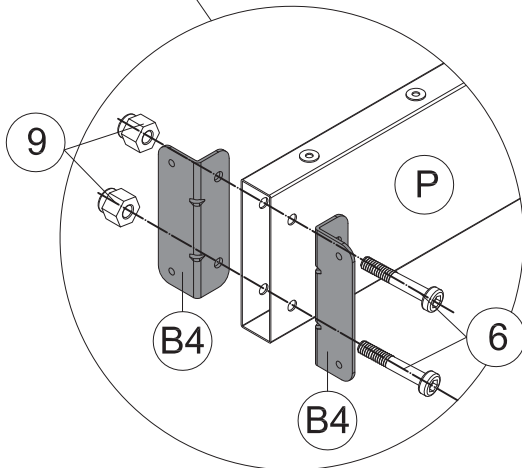
10 1x

19

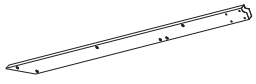
- (1) Insert one side of part #Q2 into part #P and secure with 2 bolts #3.
- (2) Insert the other side of part #Q2 into part #P1 and secure with 2 bolts #3.



- (3) Use 2 bolts #6 and nuts #9 to secure 2 part #B4 to part #P.
- (4) Use 2 bolts #3 to secure part #S3 on part #P as shown.



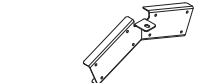
- (5) Repeat the above procedures to assemble 2 part # B4 and #S3 on part #P1.



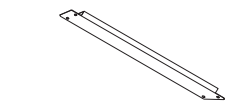
D2 1x



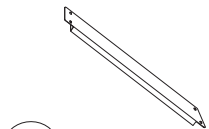
D3 1x



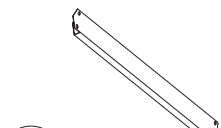
S 1x



E 1x



E1 1x



E2 1x



T3 4x



M6x16

3 16x

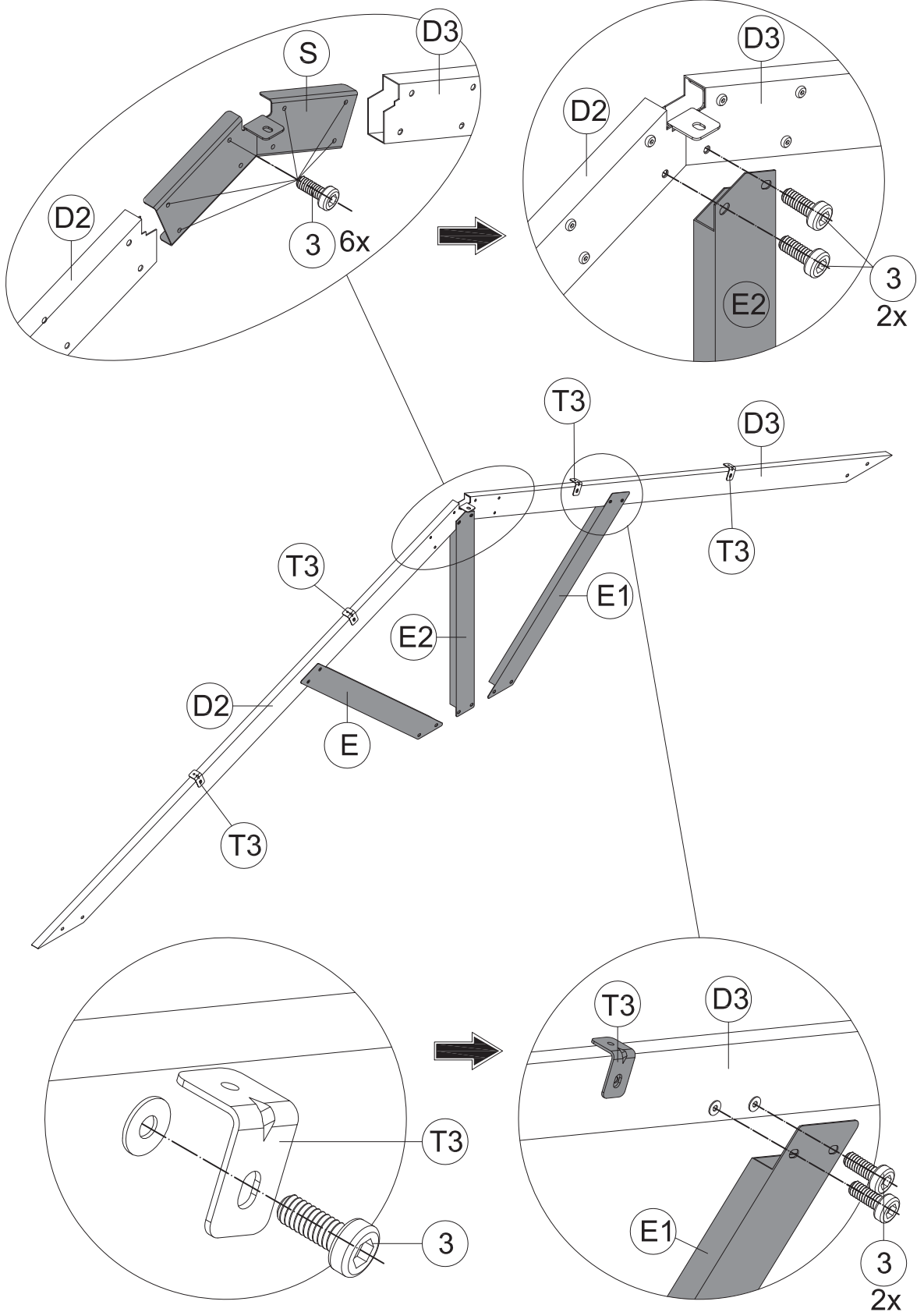


10 1x

20

- (1) Insert part #S to part #D2 and #D3, secure with 6 bolts #3.
- (2) Use 2 bolts #3 to secure part #E2 /#E /#E1 to the middle roof support tube as shown.

▲ Please don't fully tighten the bolts.



- (3) Use bolt #3 to secure 4 part #T3 to the middle roof support tube as shown.





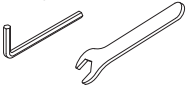
M6x16

3 6x



9 4x

S4



10 1x

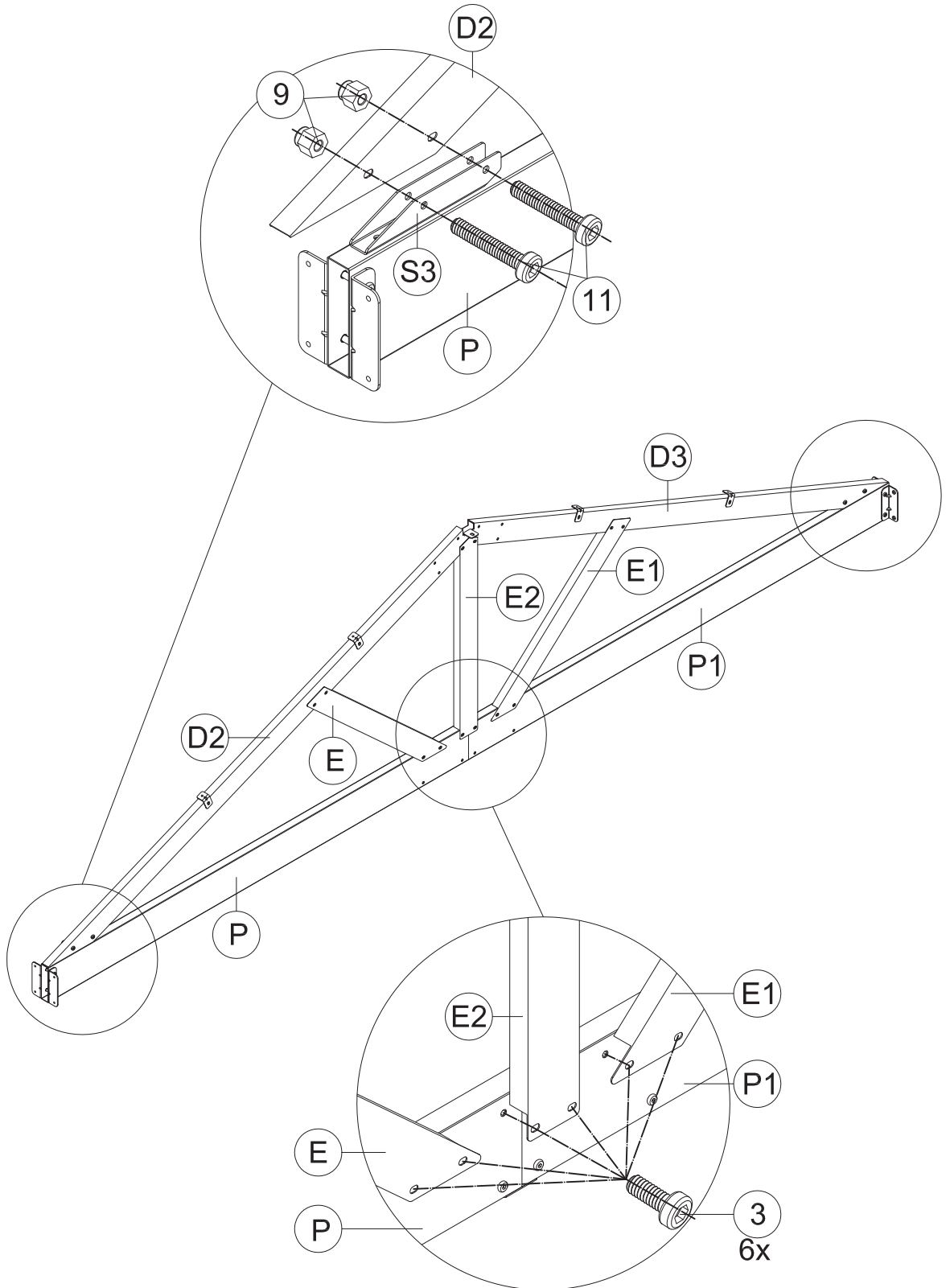


M6x40

11 4x

(1) Use 2 bolts #11 and nuts #9 to secure part #D2 to part #S3( fixed on #P) as shown.

(2) Use 2 bolts #3 to secure part #E2 /#E /#E1 to the middle beam as shown.



(3) Use 2 bolts #11 and nuts #9 to secure part #D3 to part #S3(fixed on #P1).

▲ Tighten all the bolts.



R2 8x



M6x16

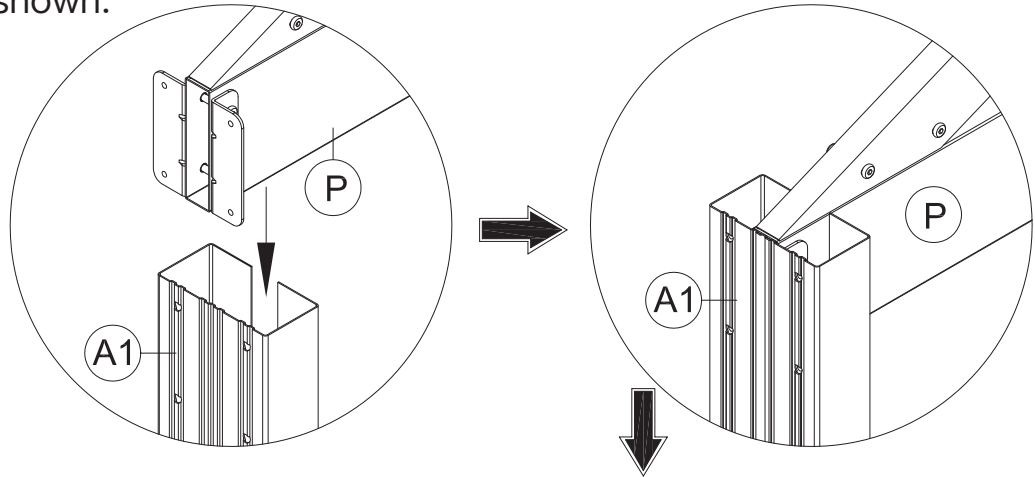
3 8x

S4

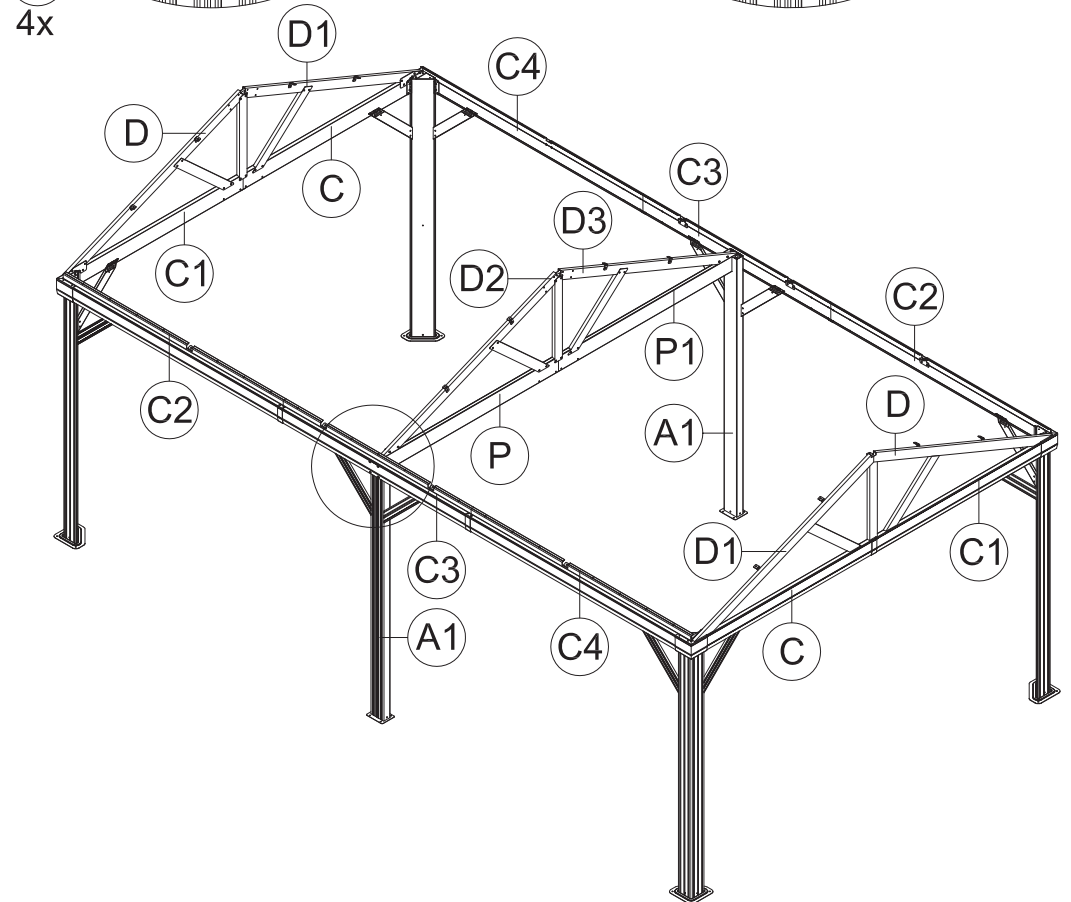
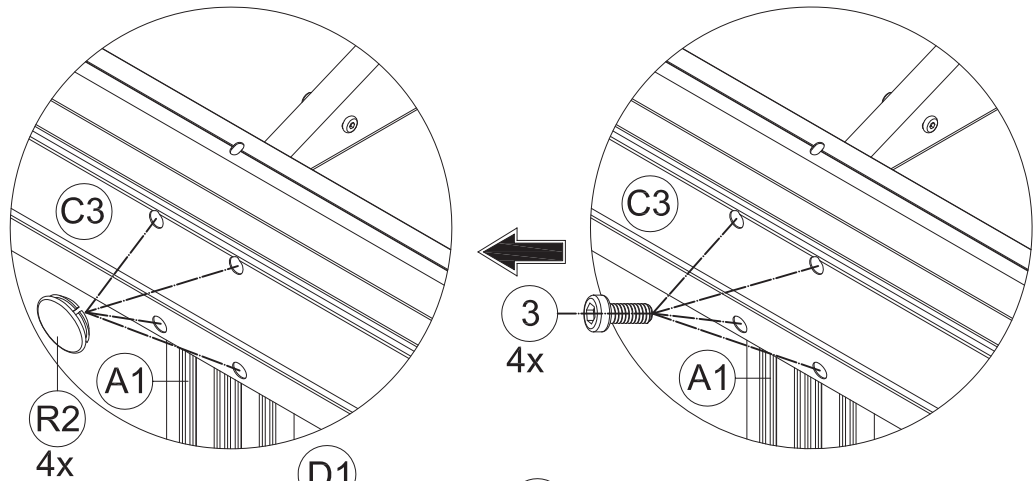


10 1x

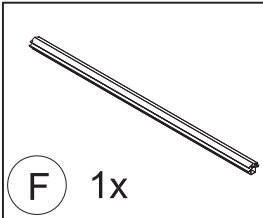
(1) Place the assembled middle roof frame to the 2 middle pole #A1 as shown.



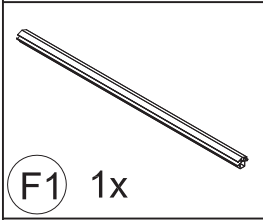
(2) Secure with 4 bolts #3, then secure the opposite side.



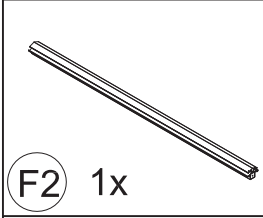
(3) Tighten all the bolts and press the small plastic cover #R2 to the hole on beam #C3.



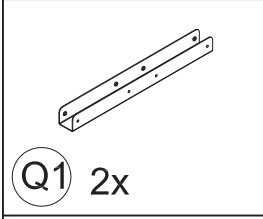
F 1x



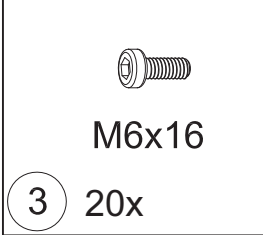
F1 1x



F2 1x

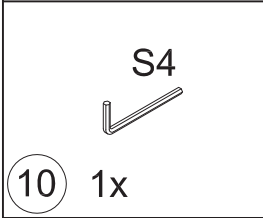


Q1 2x



M6x16

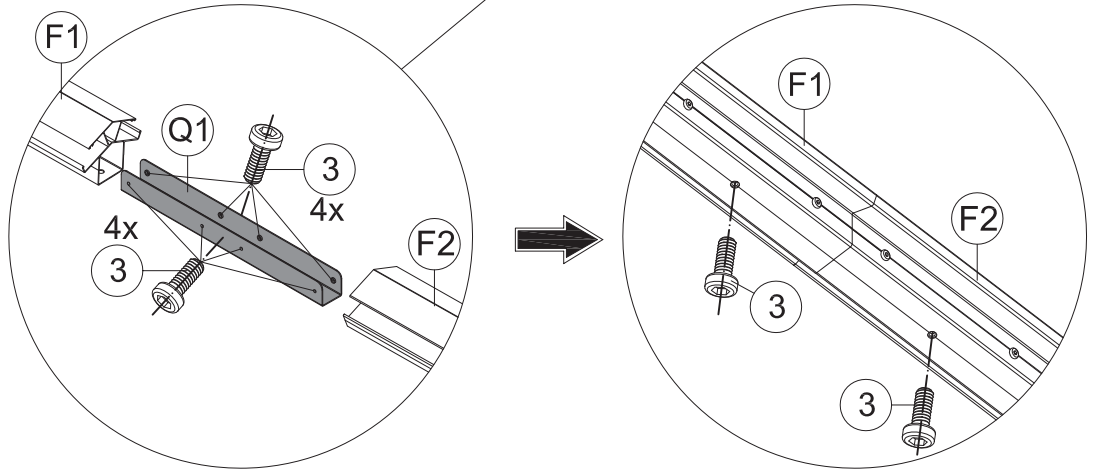
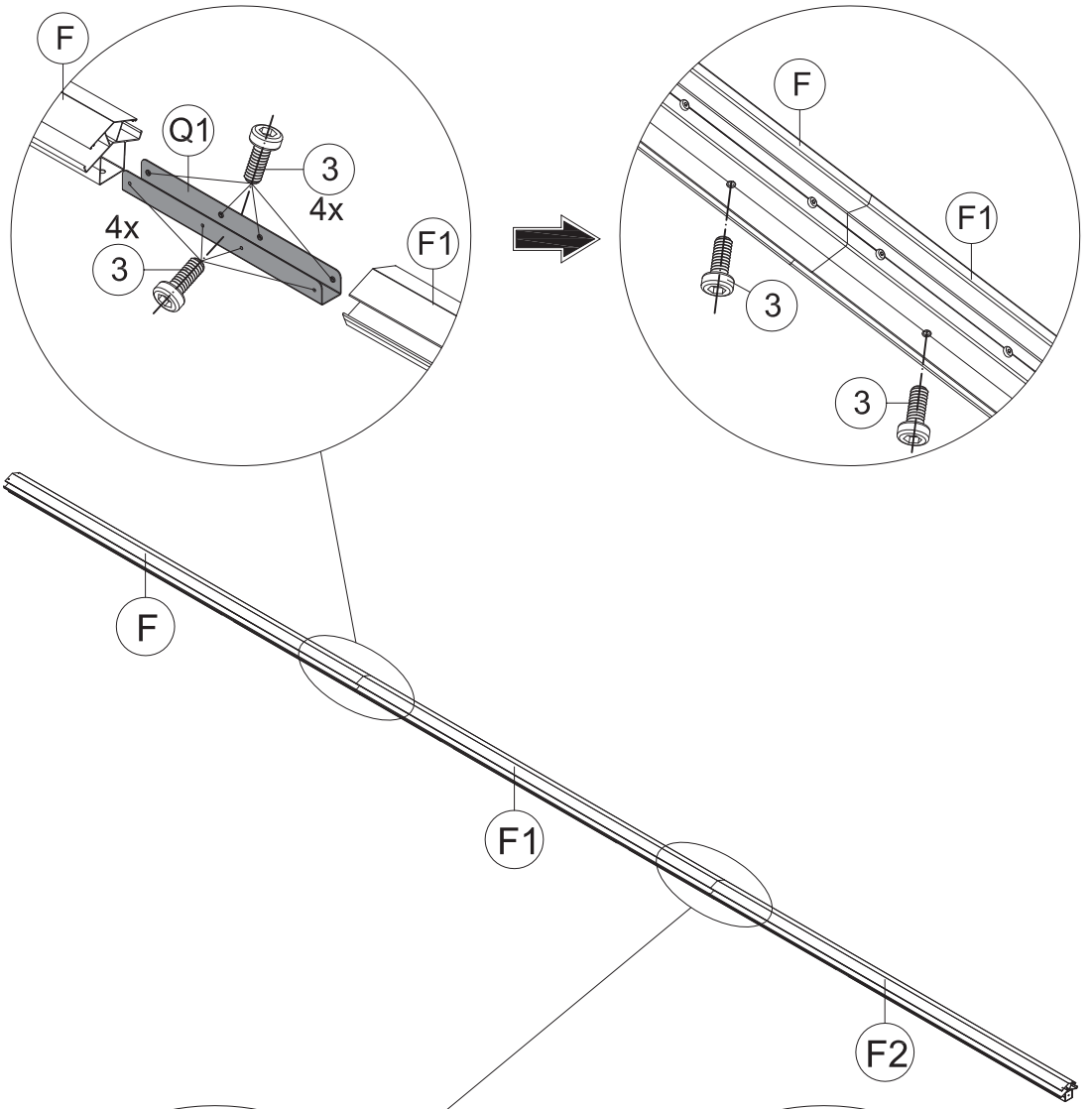
3 20x



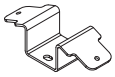
S4

10 1x

- (1) Insert one side of part #Q1 into part #F and secure with 4 bolts #3.
- (2) Insert the other side of part #Q1 into part #F1 and secure with 4 bolts #3.
- (3) Secure bolts #3 to part #F /#F1 to reinforce the middle roof tube.  
(From bottom to top)



- (4) Repeat the above procedures to connect par #F1 & #F2.



U 4x



M6x16

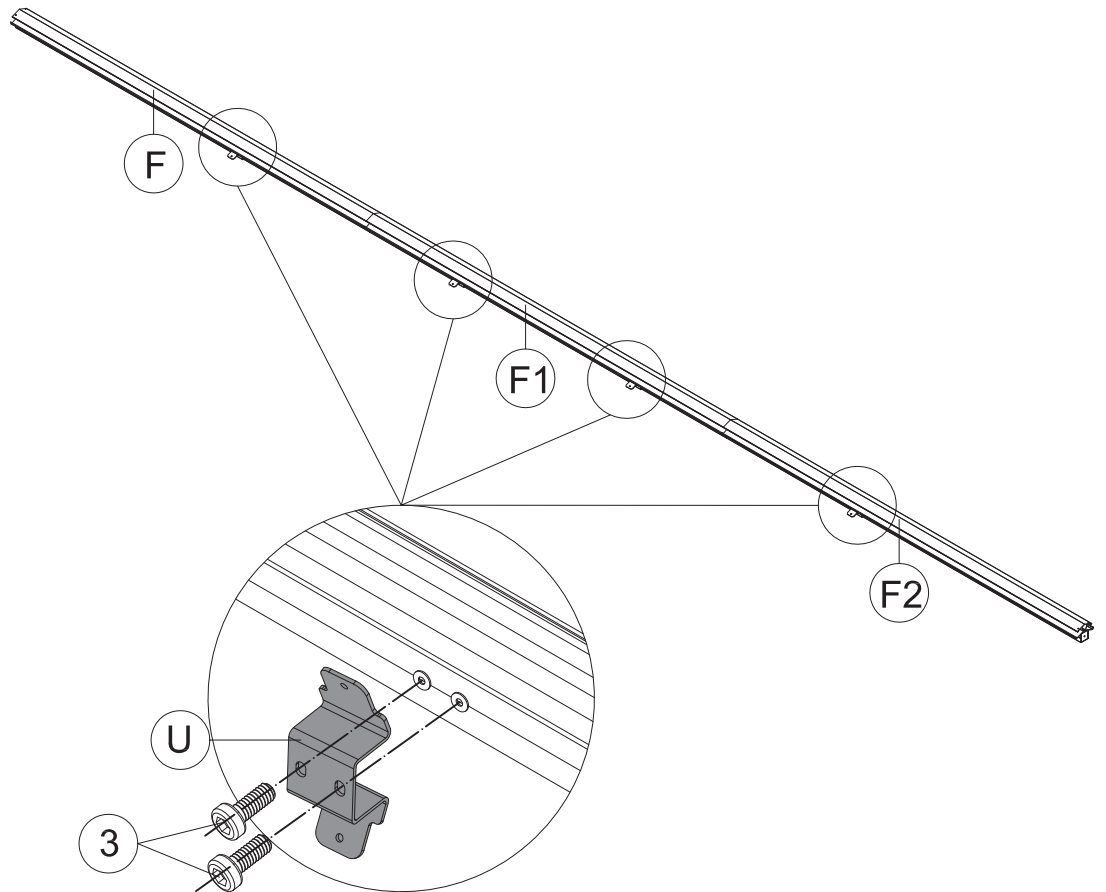
3 8x

S4



10 1x

(1) Use bolt #3 to secure 4 part #U to the middle roof tube.  
(From bottom to top)





M6x16

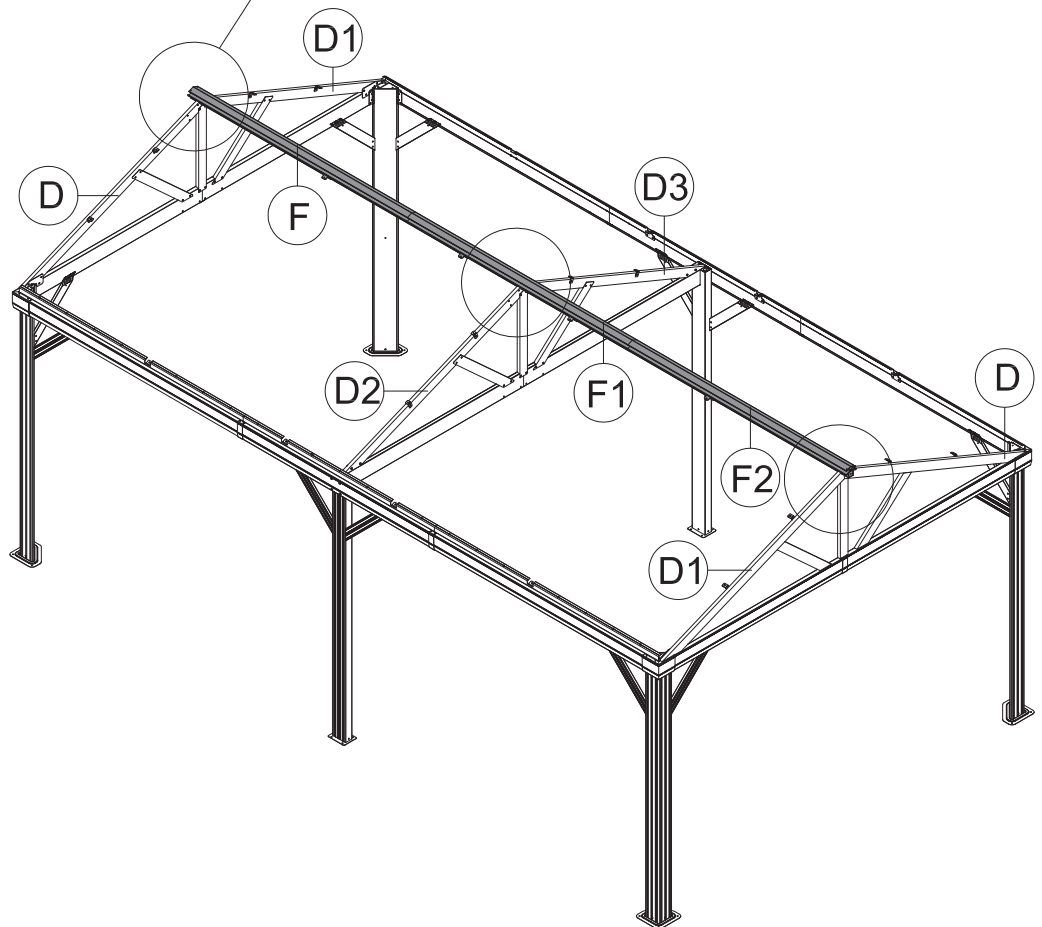
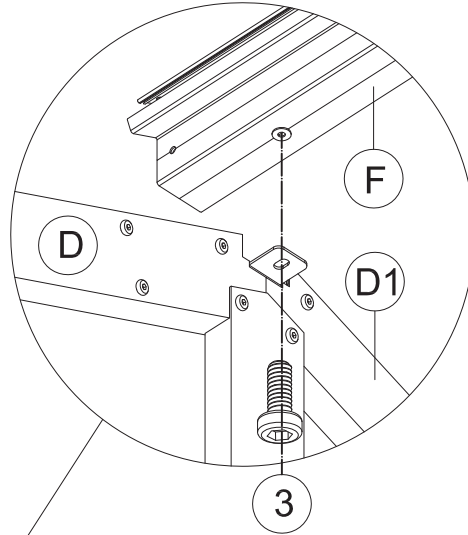
3 3x

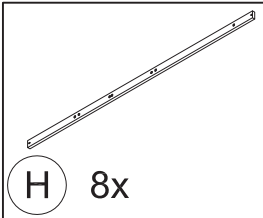
S4



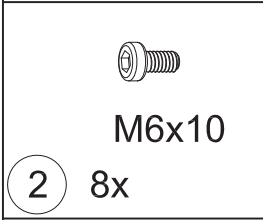
10 1x

(1) Place the assembled middle roof tube on the roof support tube, and secure with 3 bolts #3.

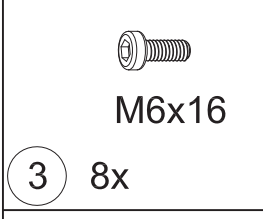




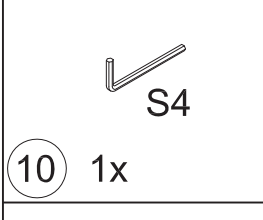
H 8x



2 8x

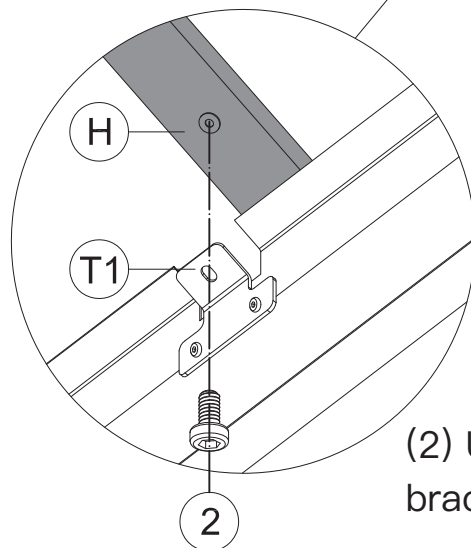
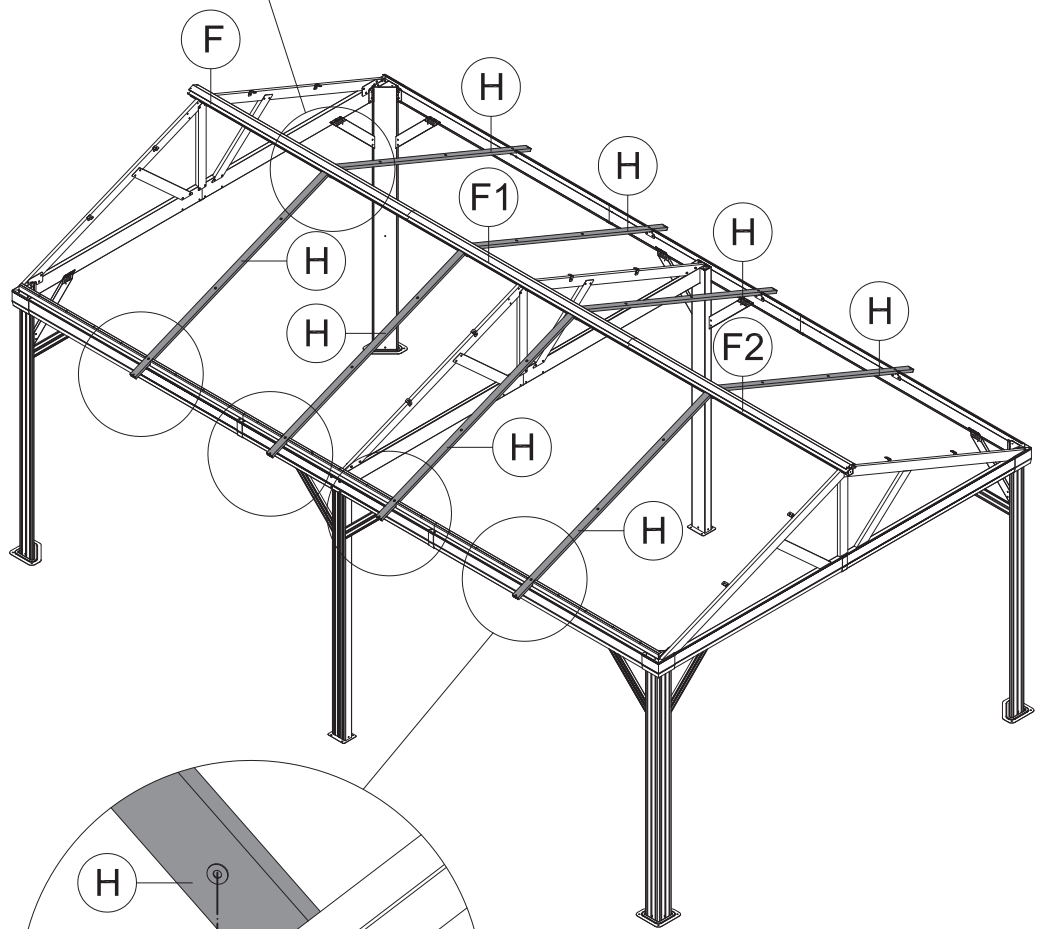
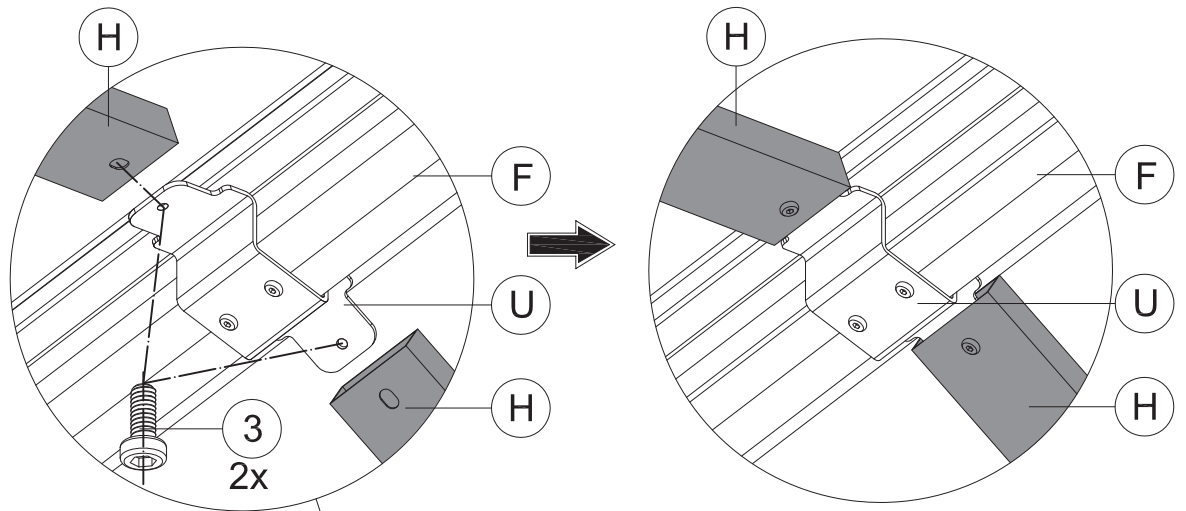


3 8x

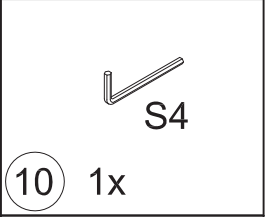
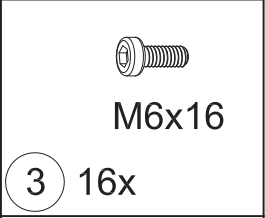
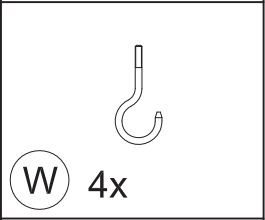
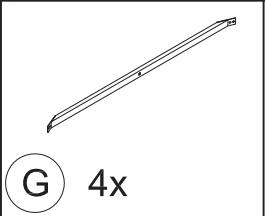


10 1x

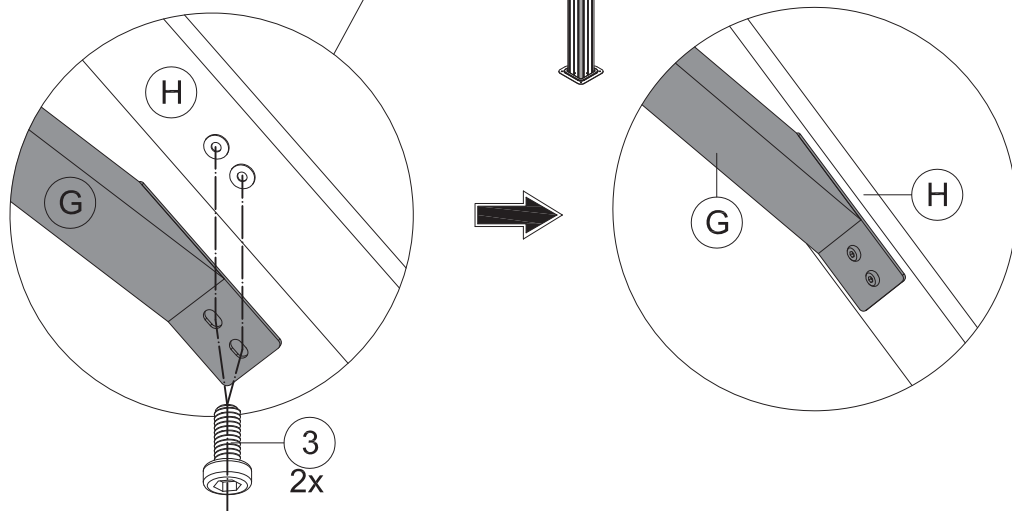
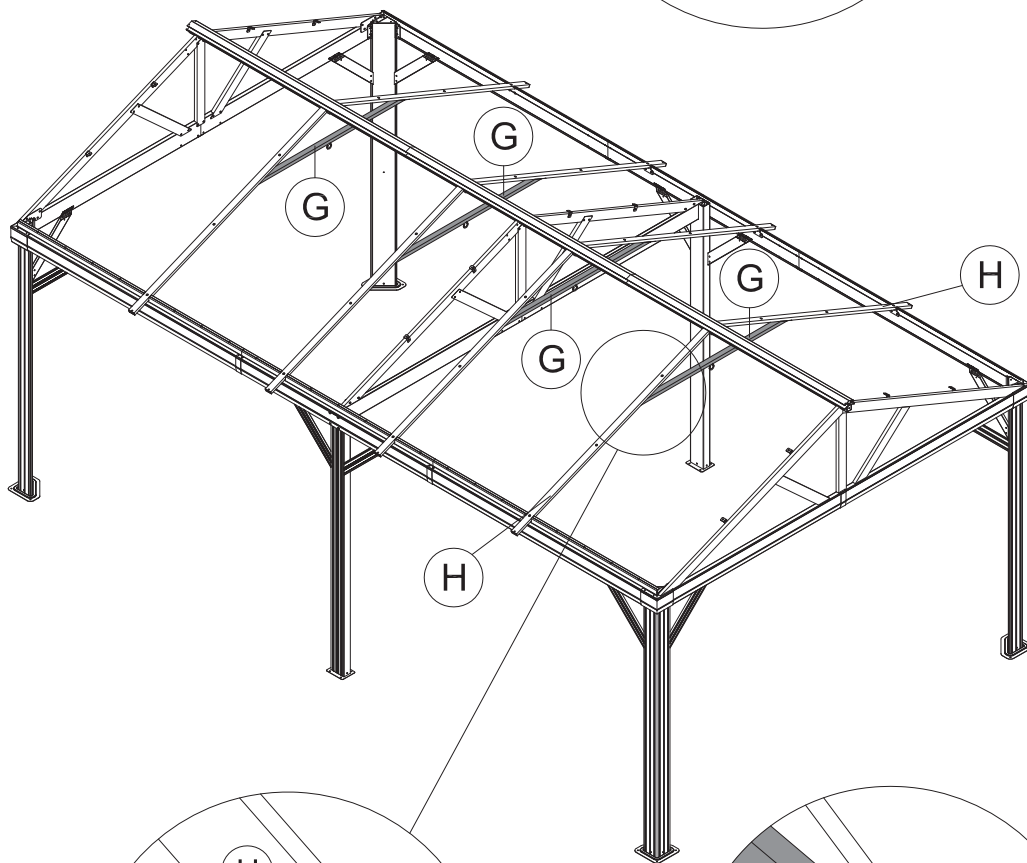
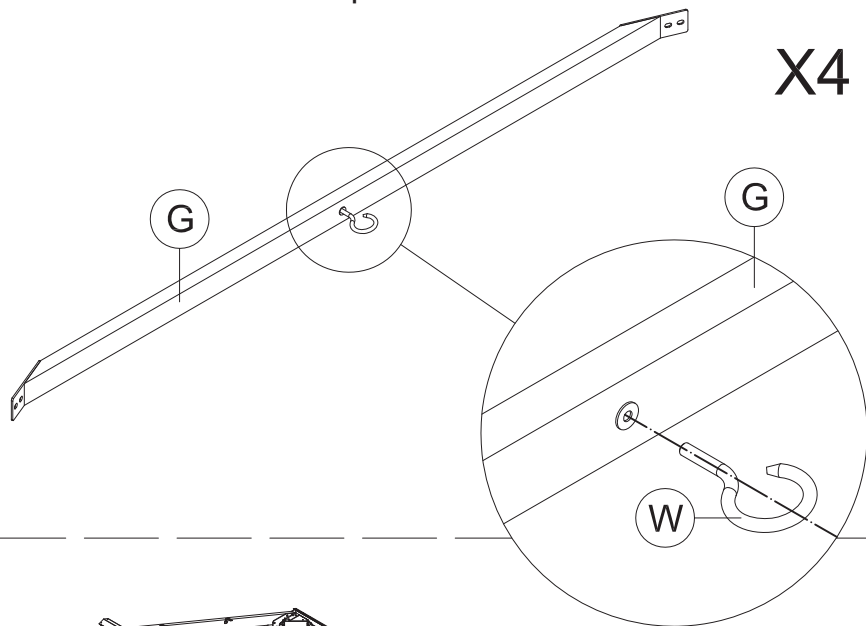
(1) Insert part #H to the bracket #U and secure with bolts #3 as shown.



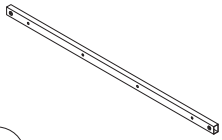
(2) Use bolt #2 to connect part #H with bracket #T1 as shown.



(1) Screw 4 hooks #W to part #G.



(2) Use bolts #3 to secure part #G to roof support tube #H.



J2 4x



T2 8x



M6x10

2 8x



M6x16

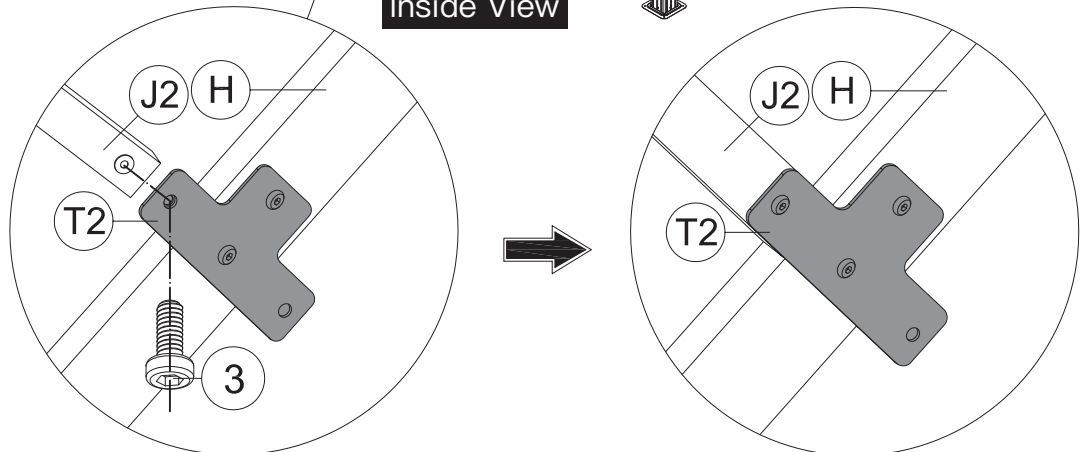
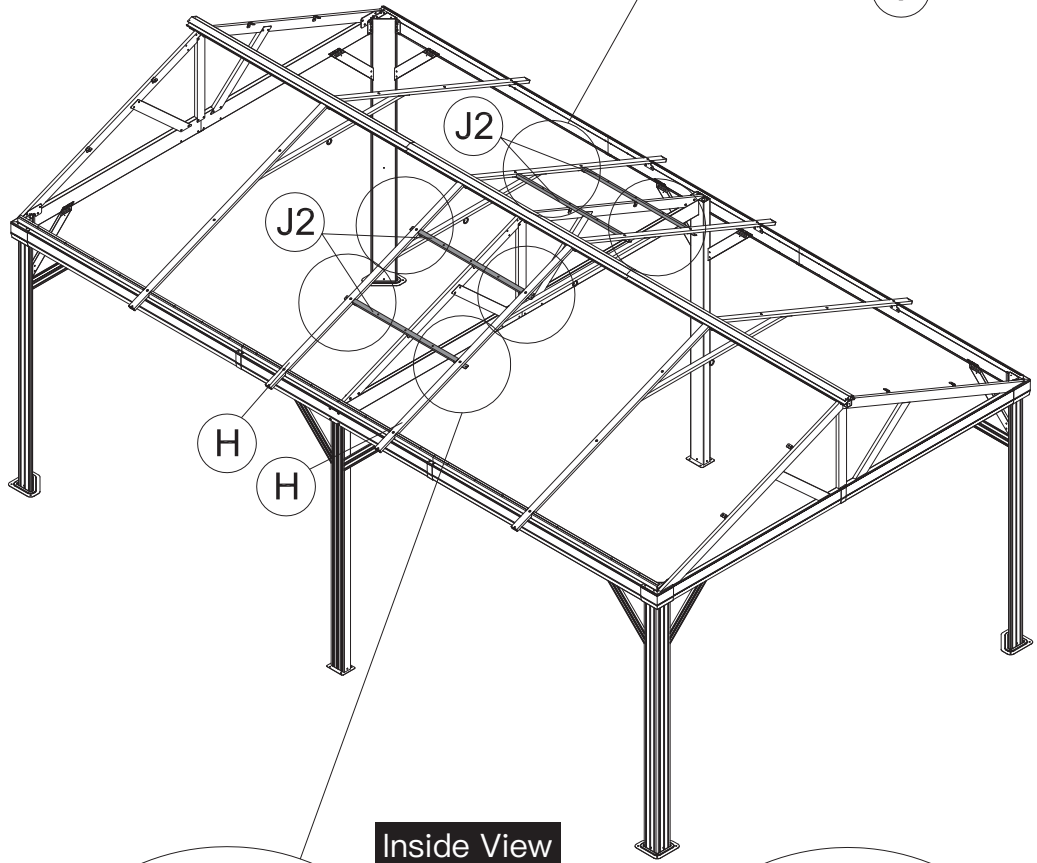
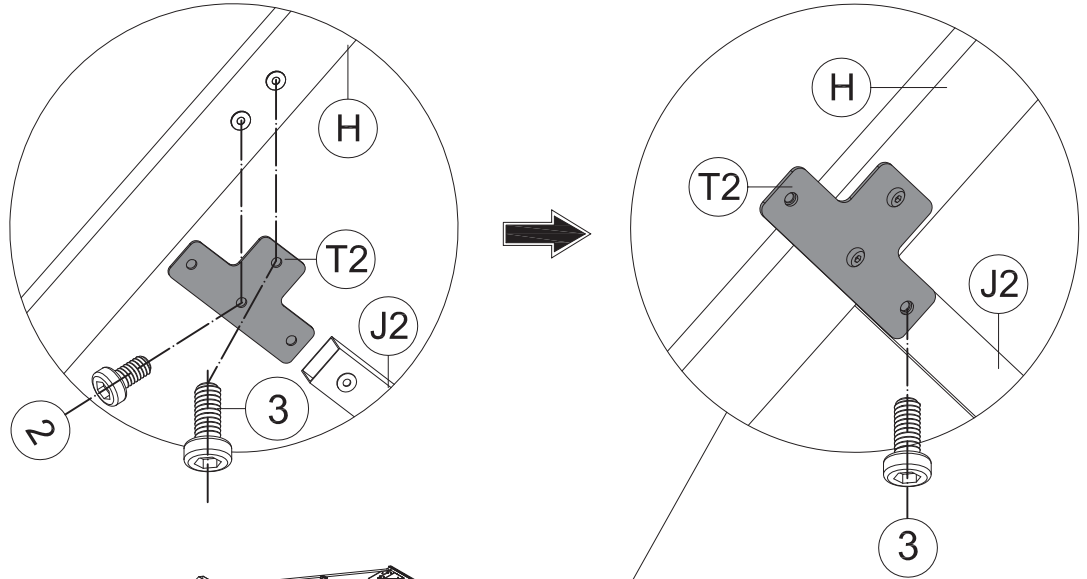
3 16x



S4

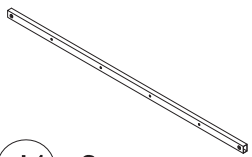
10 1x

(1) Use bolts #3 to secure 8 bracket #T2 to roof support tube #H.



(2) Place part #J2 on bracket #T2 and secure with bolt #3.





J1 8x



T2 8x



M6x10

2 8x



M6x16

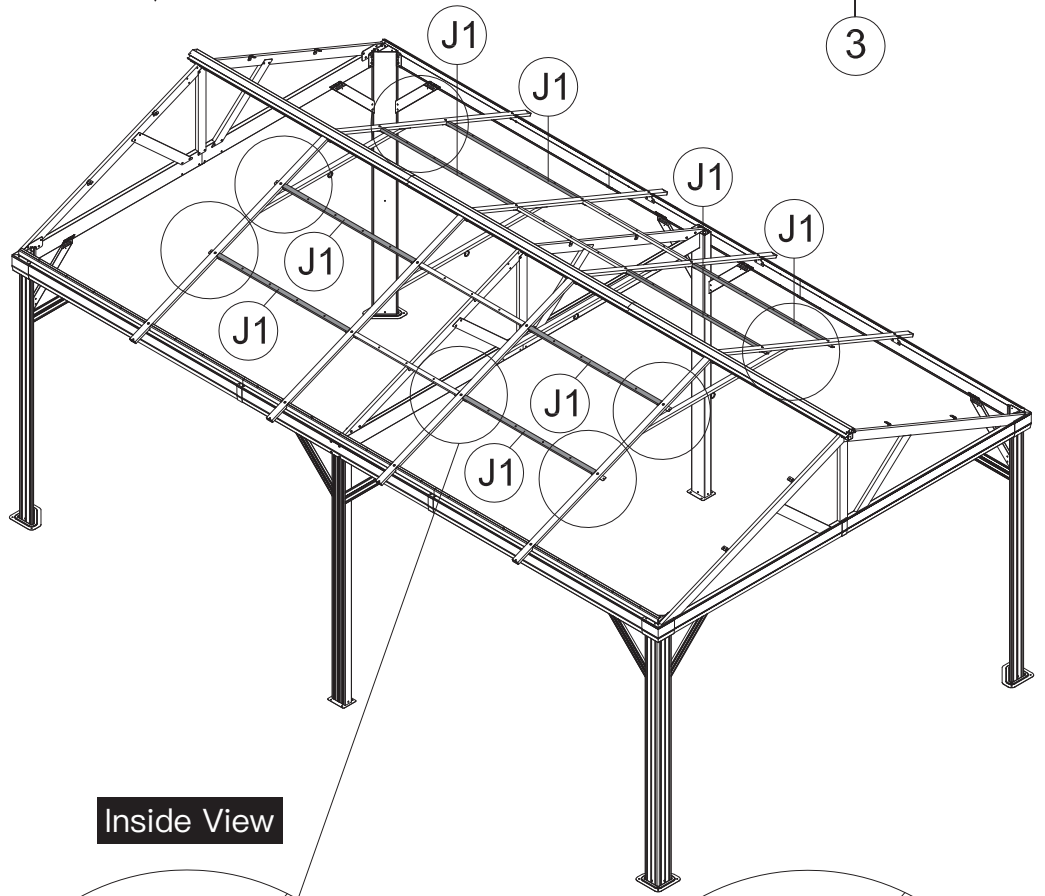
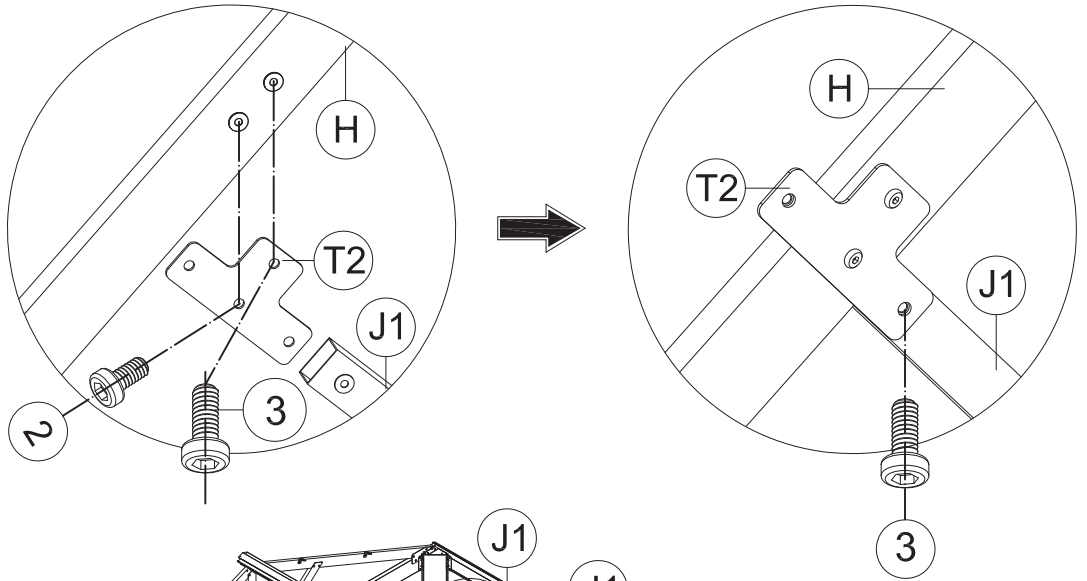
3 24x



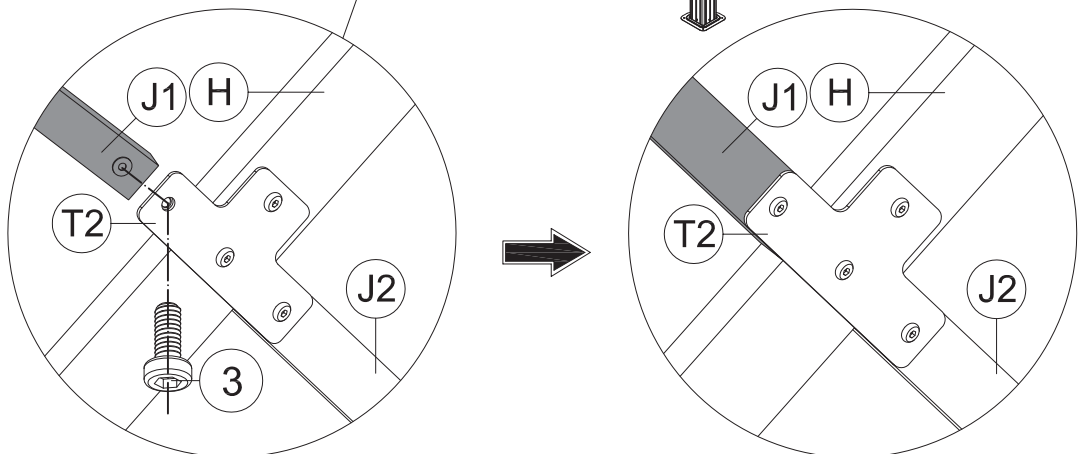
S4

10 1x

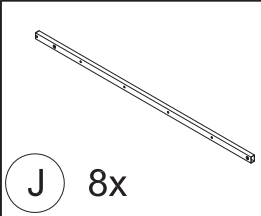
(1) Use bolts #3 to secure 8 bracket #T2 to roof support tube #H.  
(on both sides)



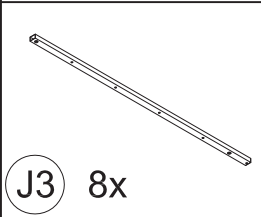
Inside View



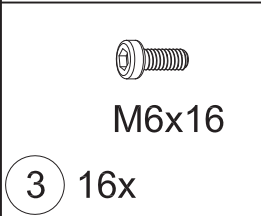
(2) Place part #J1 on bracket #T2 and secure with bolt #3.



J 8x

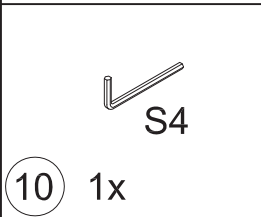


J3 8x



M6x16

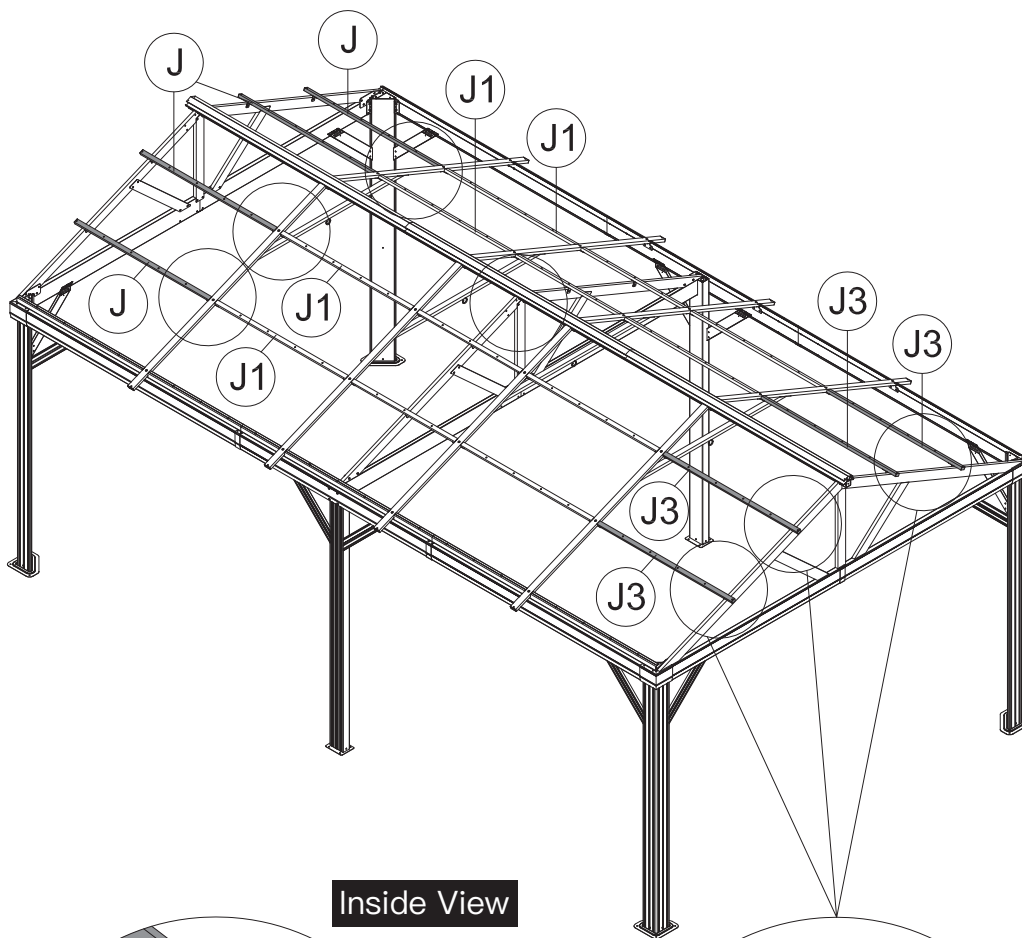
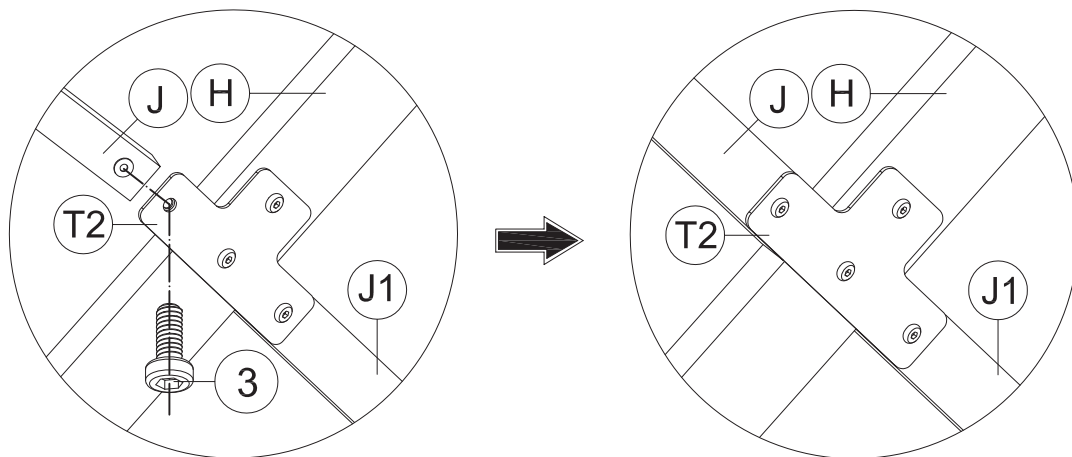
3 16x



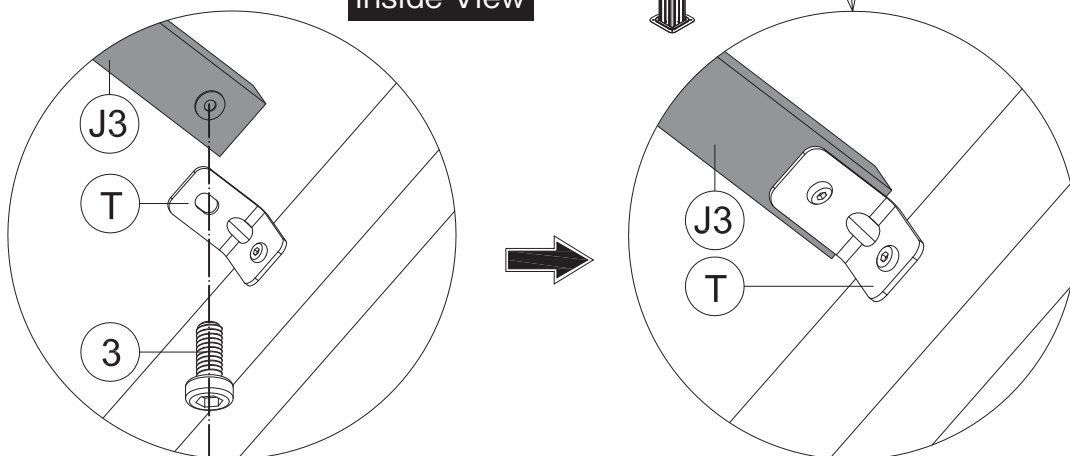
S4

10 1x

(1) Place part #J /#J3 on bracket #T2 and secure with bolt #3.



Inside View



(2) Use bolts #3 to secure part #J /#J3 to bracket #T.



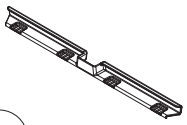
(M) 22x



(M1) 2x



(M2) 2x



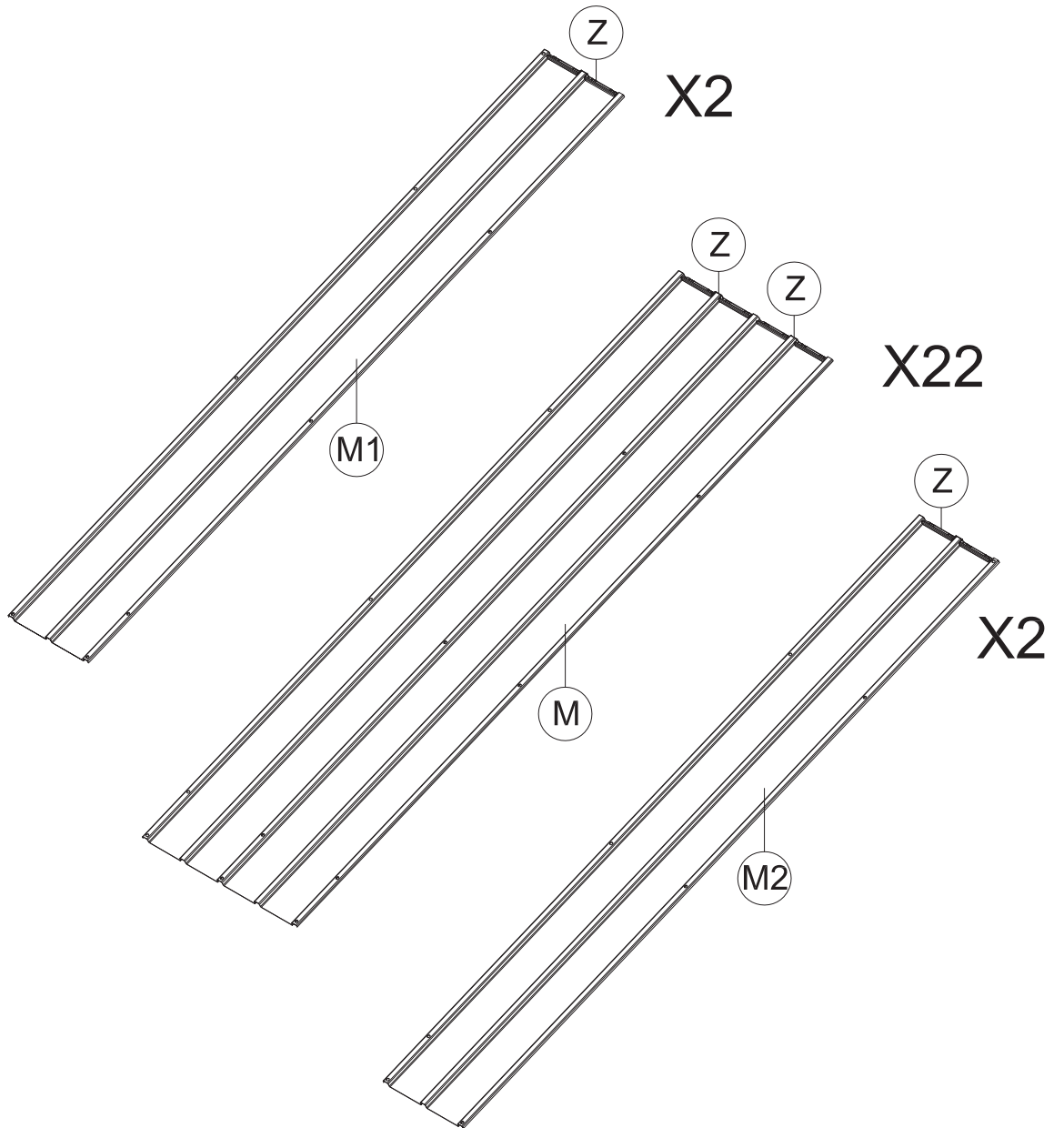
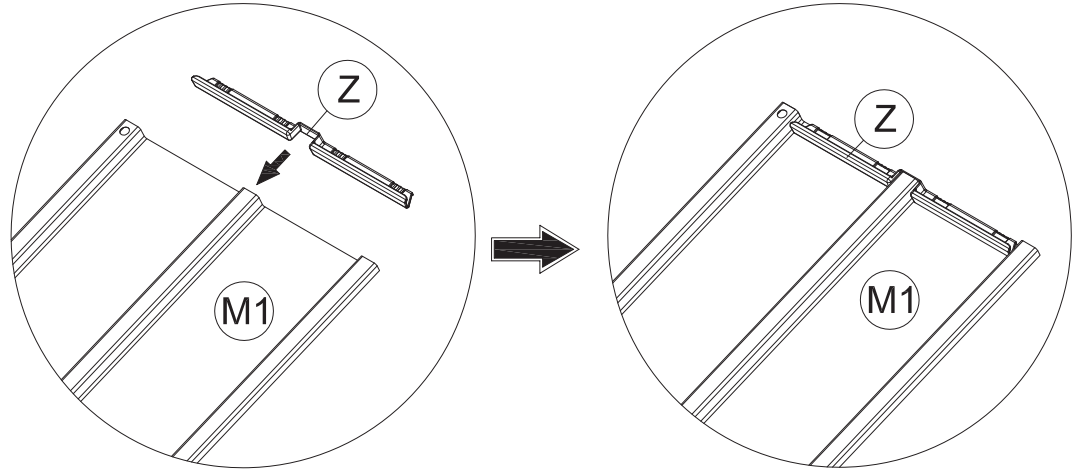
(Z) 48x



(X) 2x

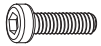
(1) Cover plastic bracket #Z to roof panels as shown.

▲ Please wear gloves and be careful when handing components.



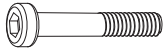


Y 92x



M6x20

4 16x



M6x45

6 72x



9 72x

S4



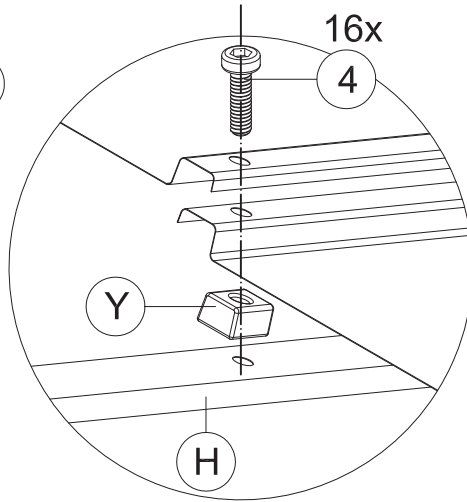
10 1x



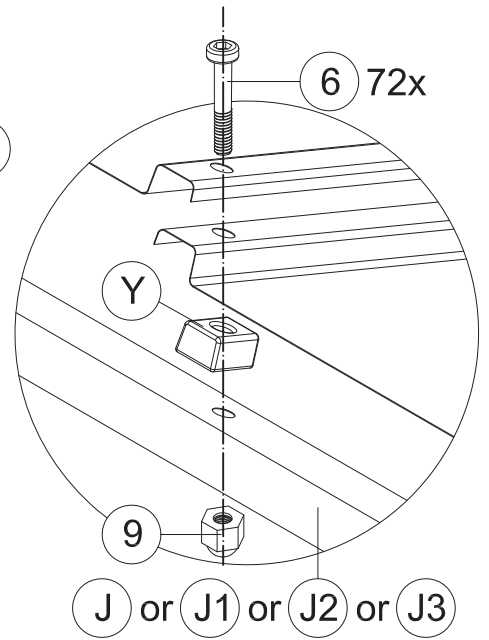
M6x40

11 4x

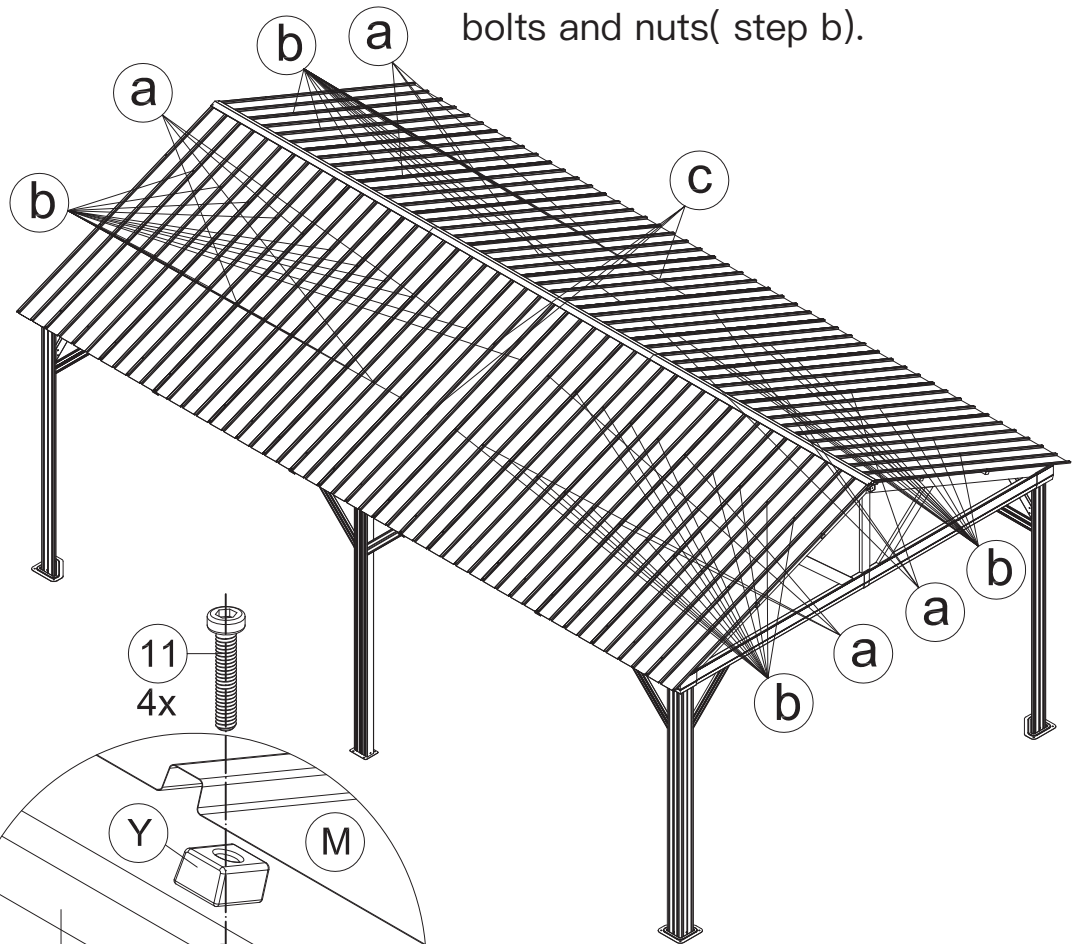
a



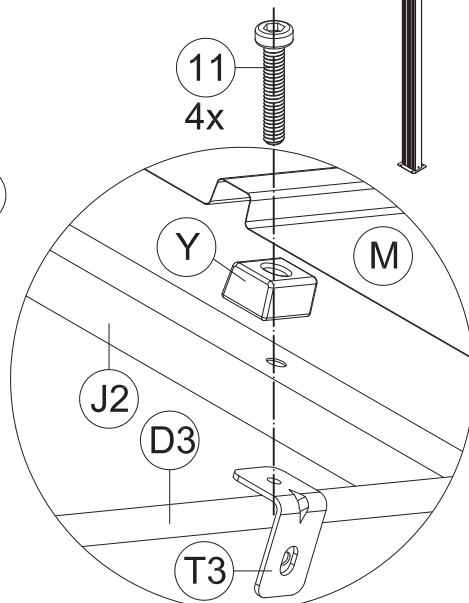
b



▲ Spacer #Y should be inserted between roof panels and solidifying bar or beams, then secure with bolts and nuts( step b).

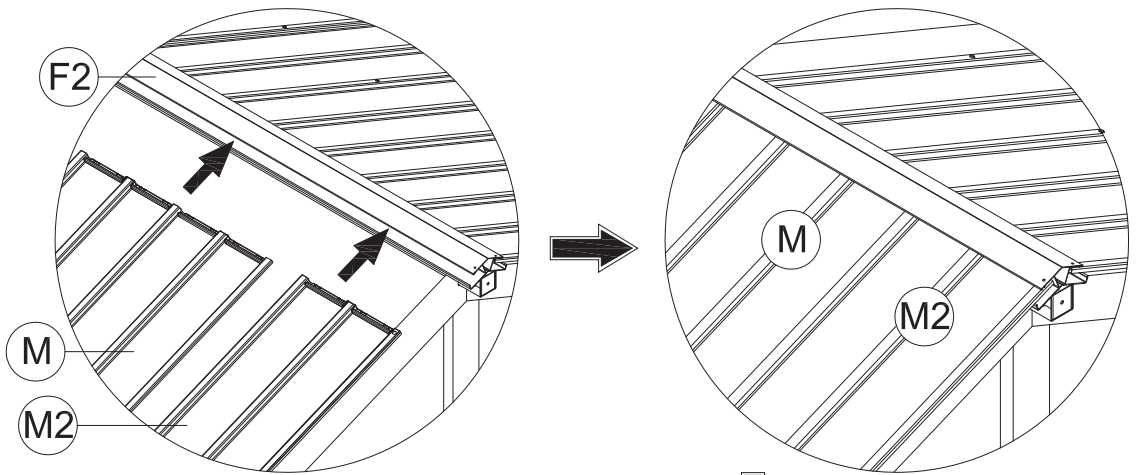


c

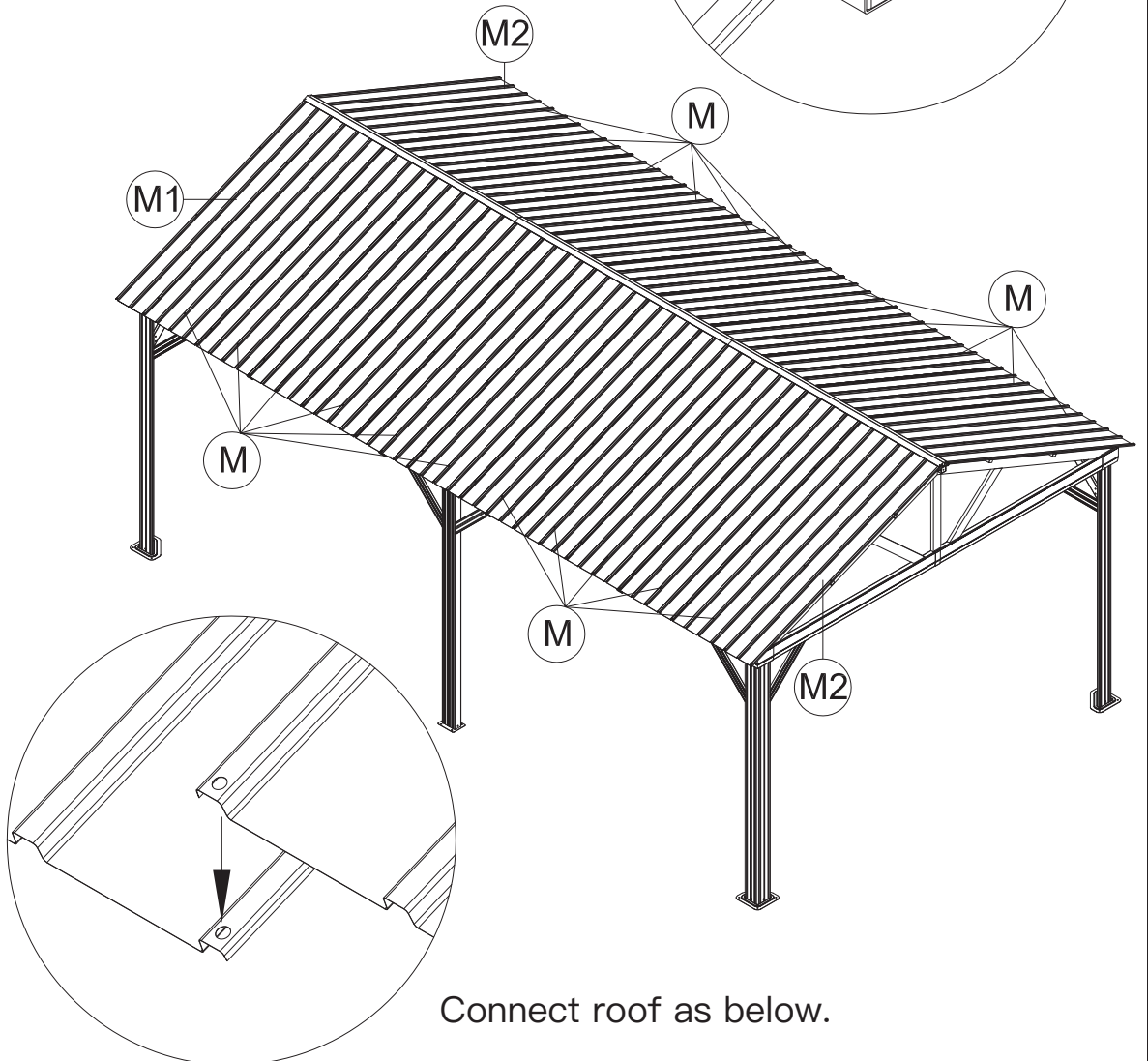
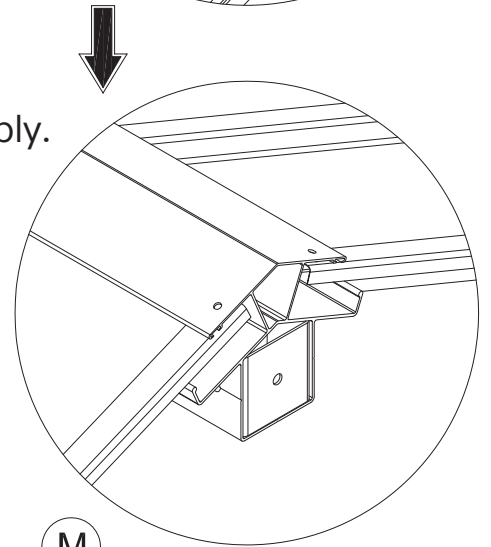
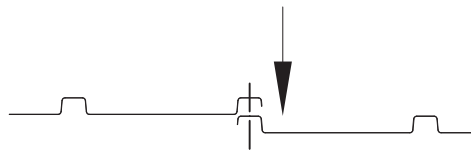




X 2x



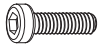
Overall roof assembly.



Connect roof as below.



Y 46x



M6x20

4 8x



M6x28

5 38x



9 38x

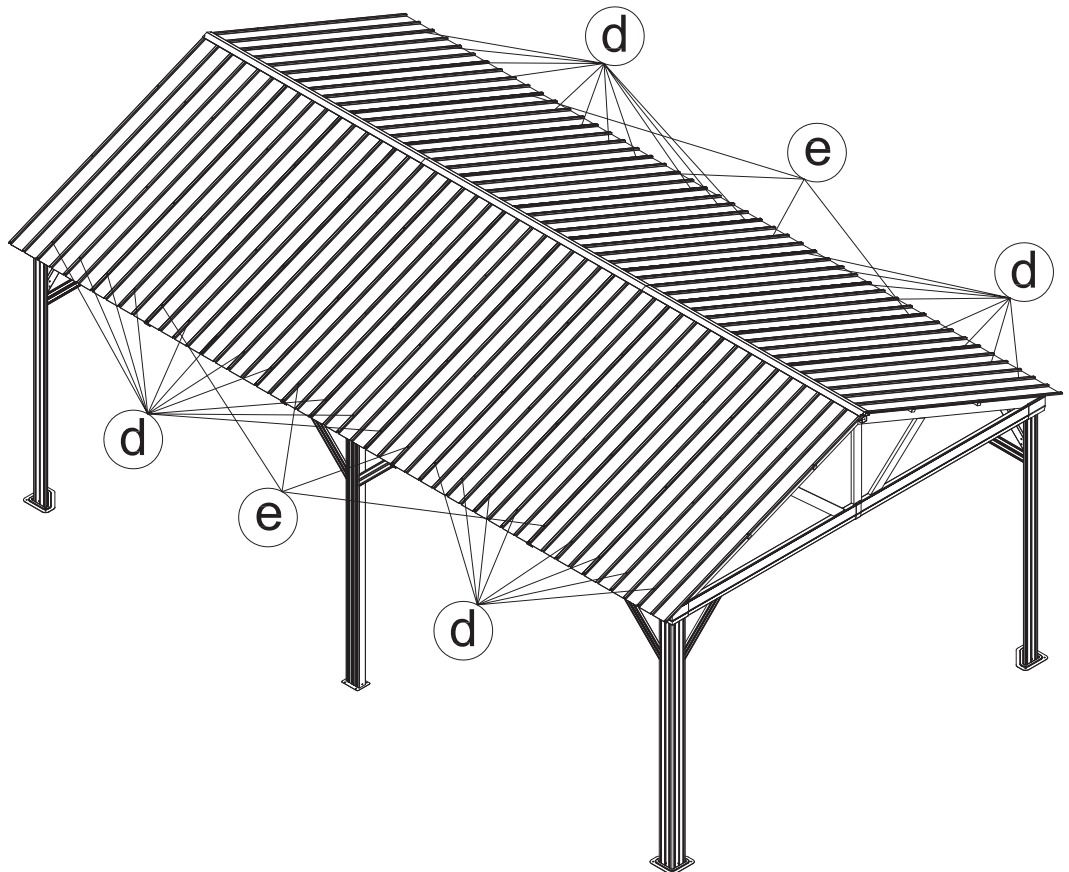
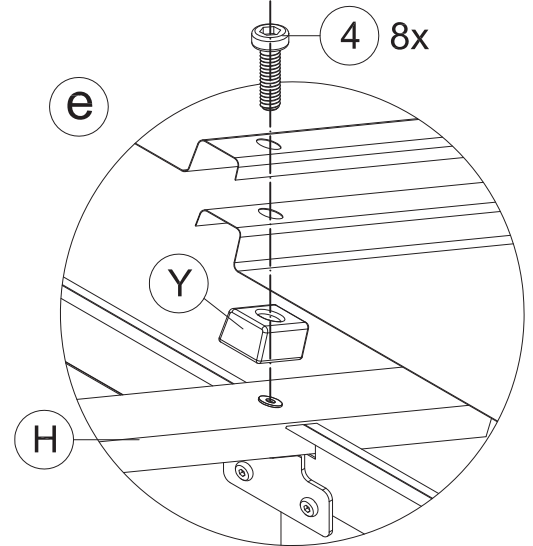
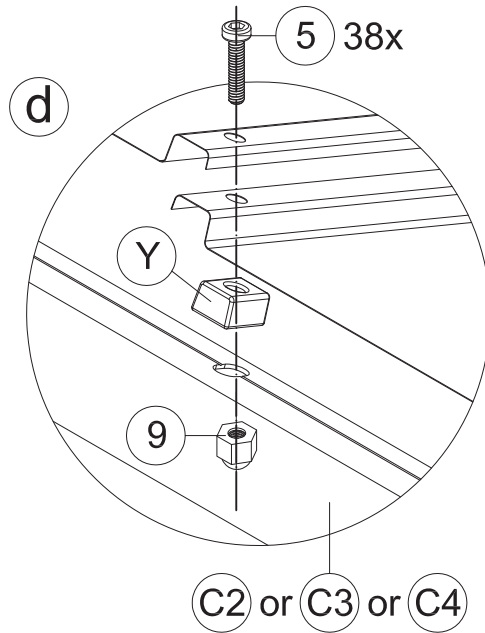
S4

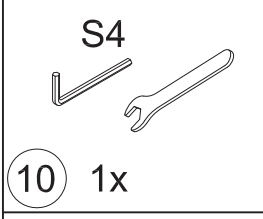
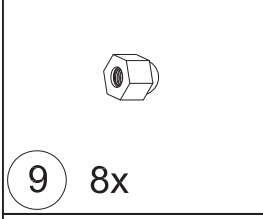
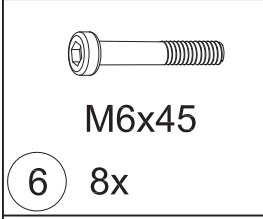
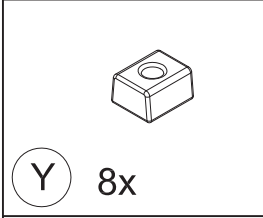
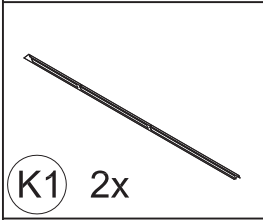
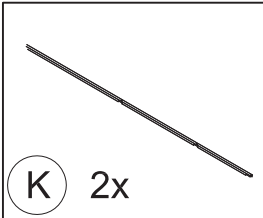


10 1x

(1) Insert spacer #Y between roof panels and beams, then secure with bolts #5 and nuts #9.

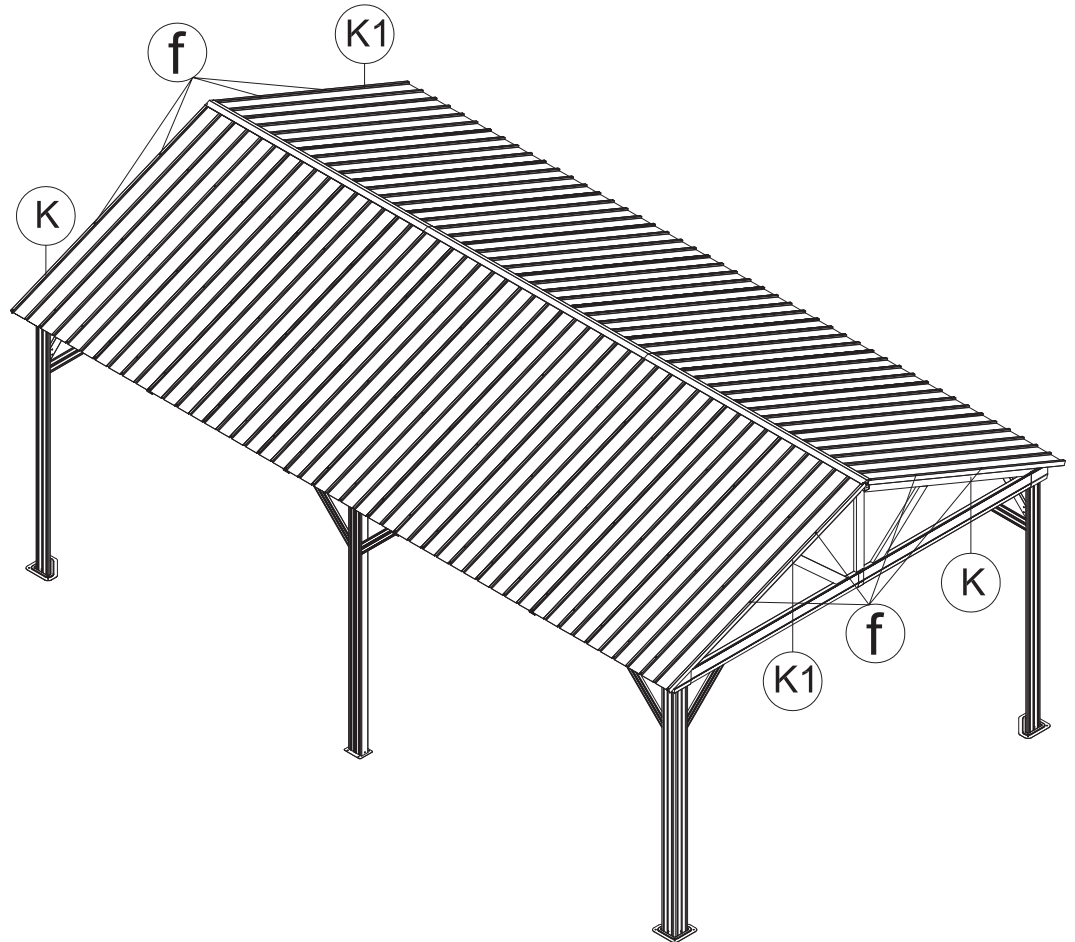
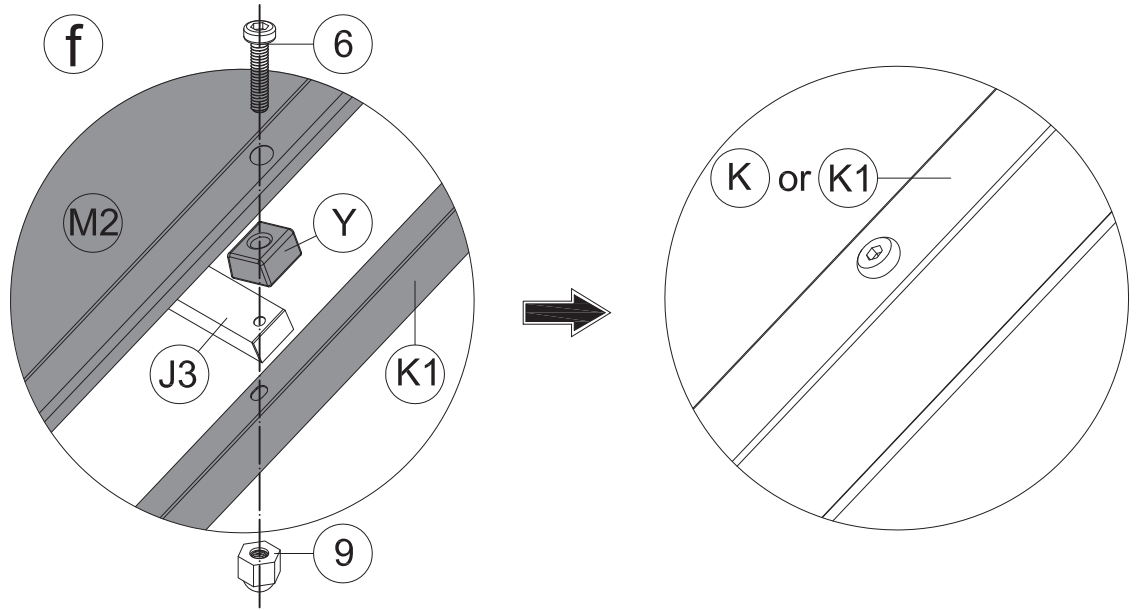
(2) Insert spacer #Y between roof panels and support tube #H, then secure with bolts #4.

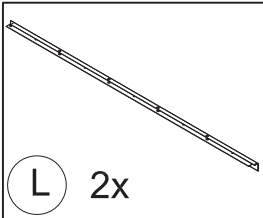




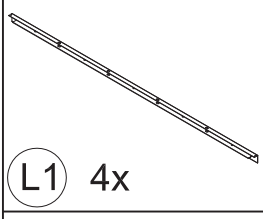
(1) Insert spacer #Y between roof panels #M2 /#M1 and solidifying tube #J3 /#J, cover with finishing bar #K1 /#K.

(2) Secure with bolts #6 and nuts #9.

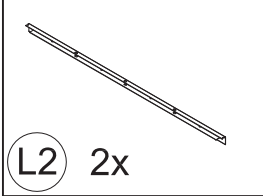




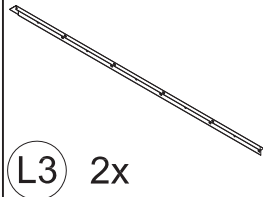
L 2x



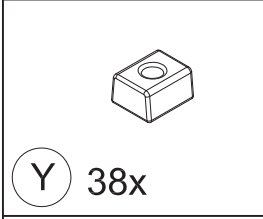
L1 4x



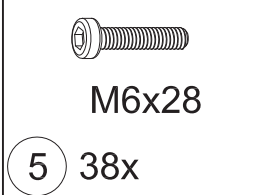
L2 2x



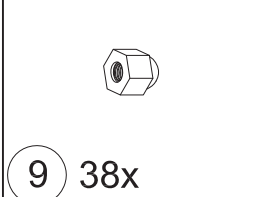
L3 2x



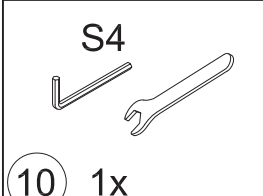
Y 38x



5 38x



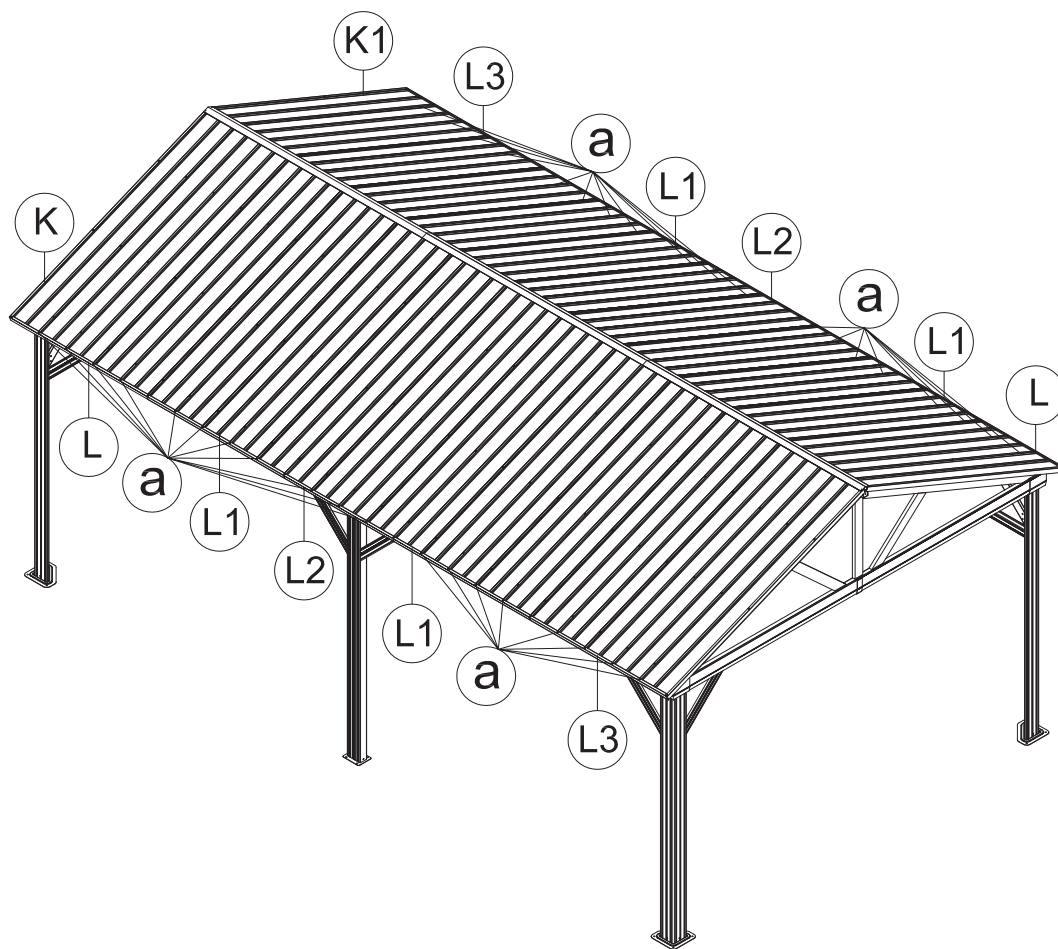
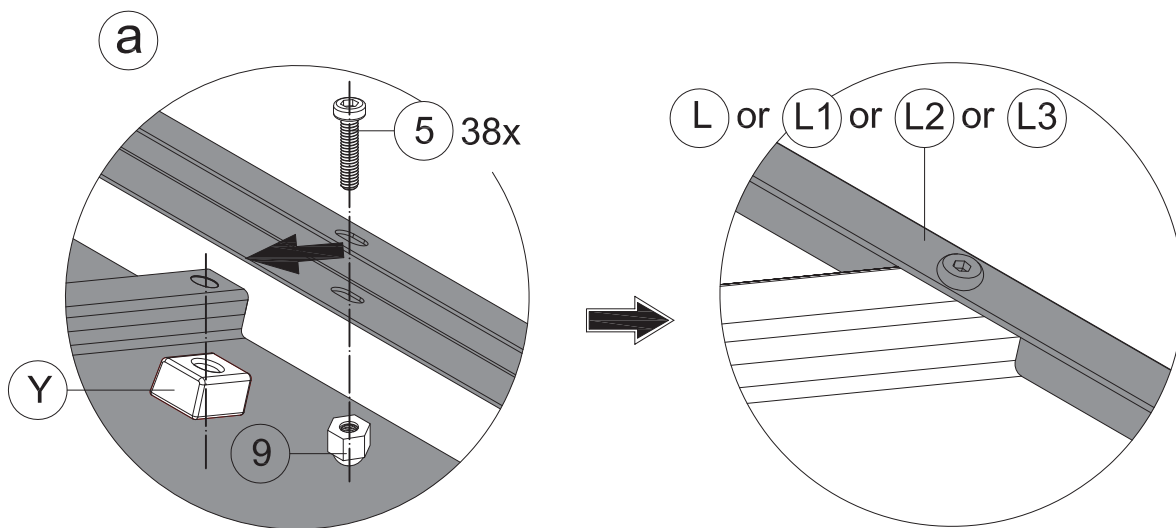
9 38x



10 1x

(1) Place spacer #Y under the roof panel, and insert with finishing bar #L /#L1 /#L2 /#L3.

(2) Secure with bolts #5 and nuts #9.



▲ You may need 2 people to finish this step.

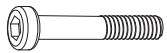




V2 8x



Y 8x



M6x45

6 8x



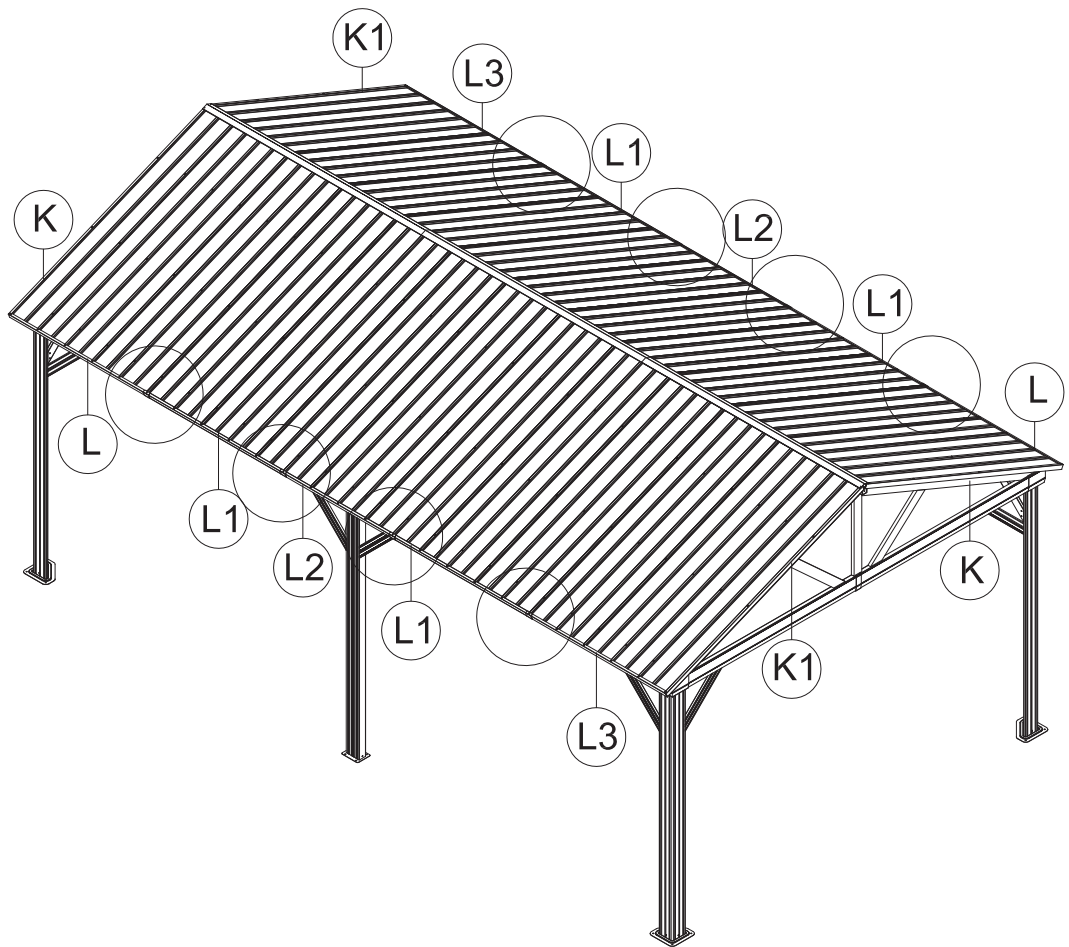
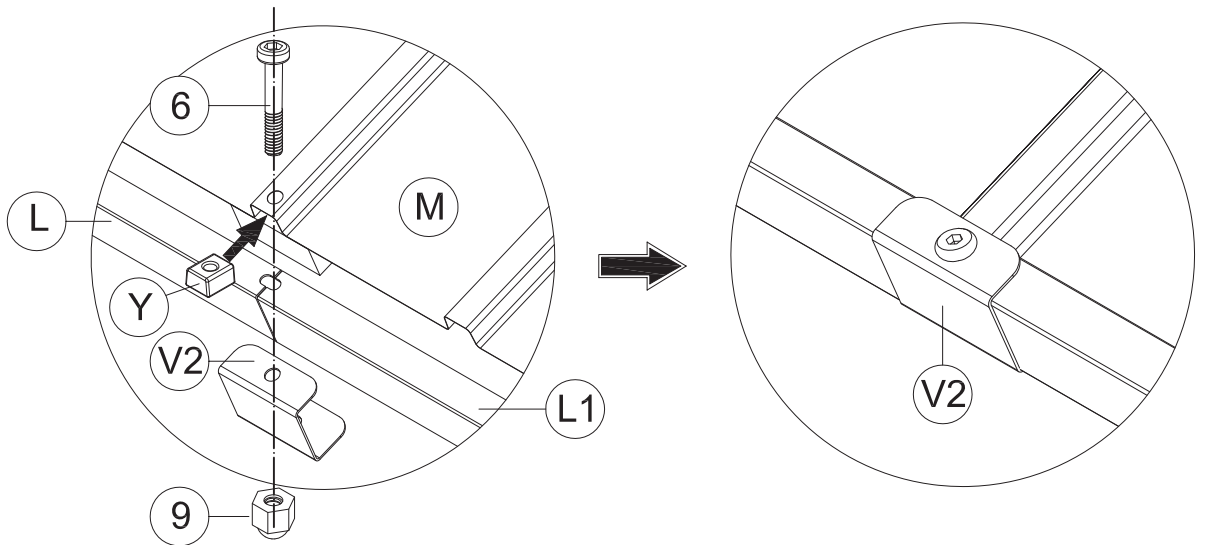
9 8x

S4



10 1x

- (1) Insert spacer #Y between roof panels and roof support tube.
- (2) Affix the gap between each finishing bar with fixing bracket #V2.
- (3) Align the holes and secure with bolt #6 and nut #9.



▲ Please wear gloves and be careful when handing components.



V1 4x



Y 4x



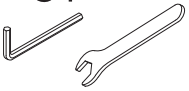
M6x28

5 4x



9 4x

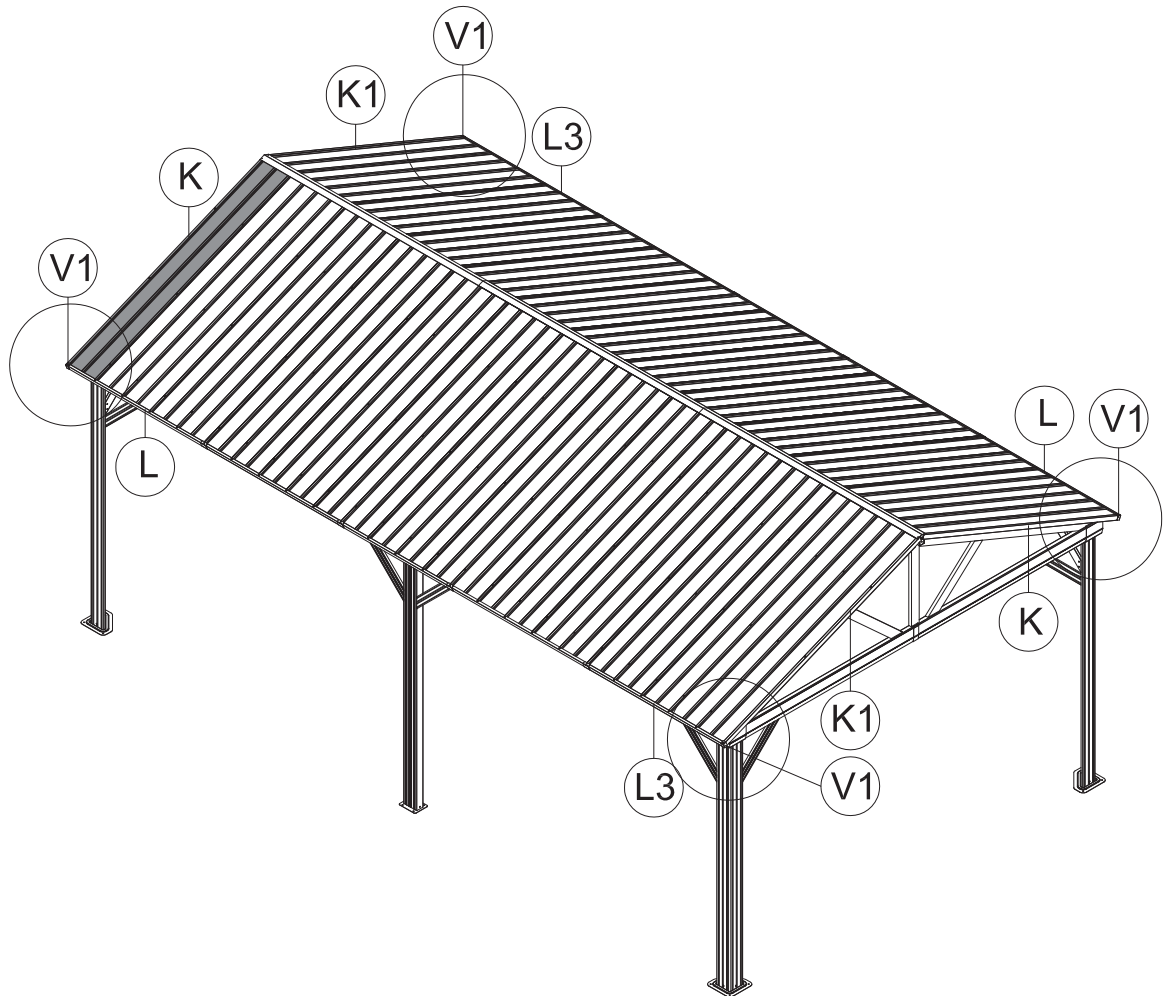
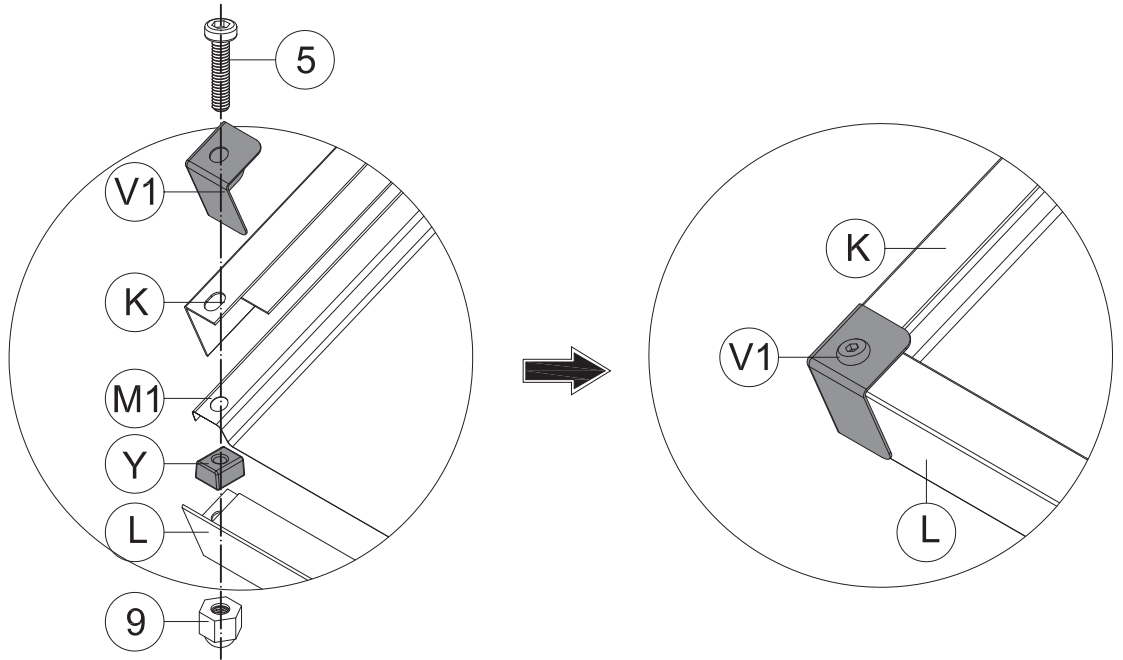
S4

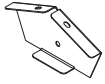


10 1x

(1) Insert spacer #Y as shown, then cover with fixing bracket #V1, align the holes and secure with bolt #5 and nut #9.

(2) Repeat the above procedure to assemble the other 3 corners.





V 2x



M6x16

3 2x



ST5x13

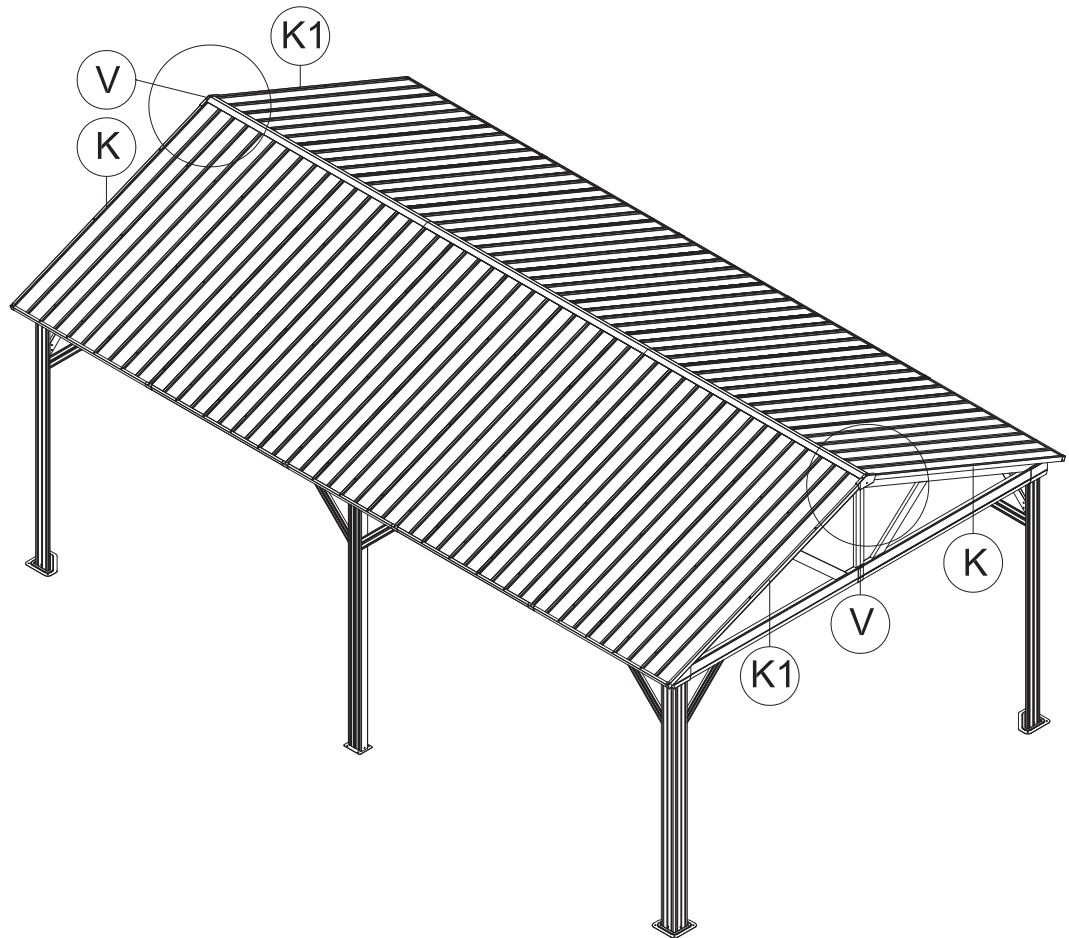
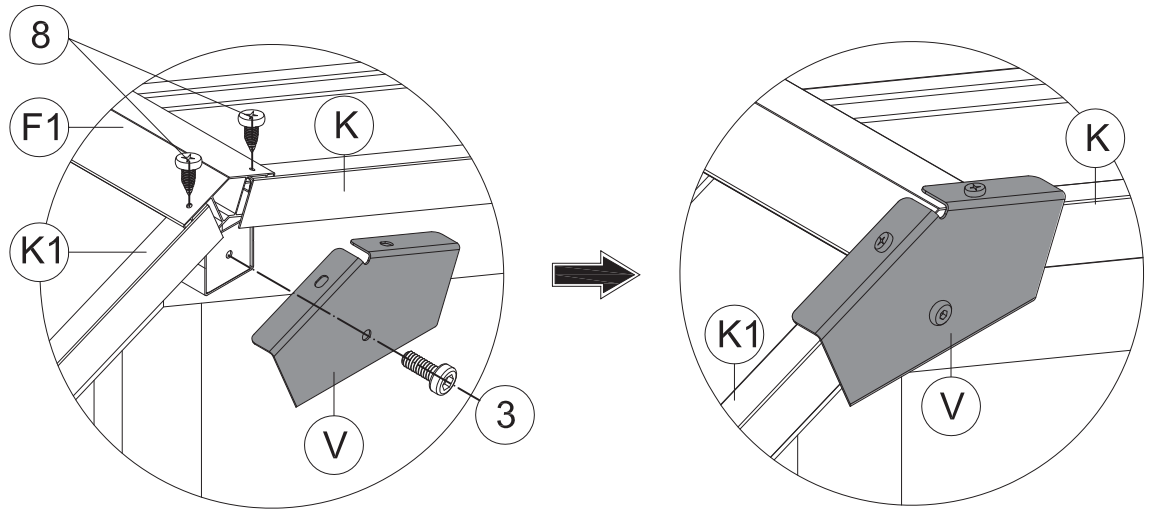
8 4x



S4

10 1x

(1) Place the fixing bracket #V as shown and secure with 1 bolt #3 and 2 self-tapping bolts #8.



(2) Repeat the above procedure to assemble the opposite side.