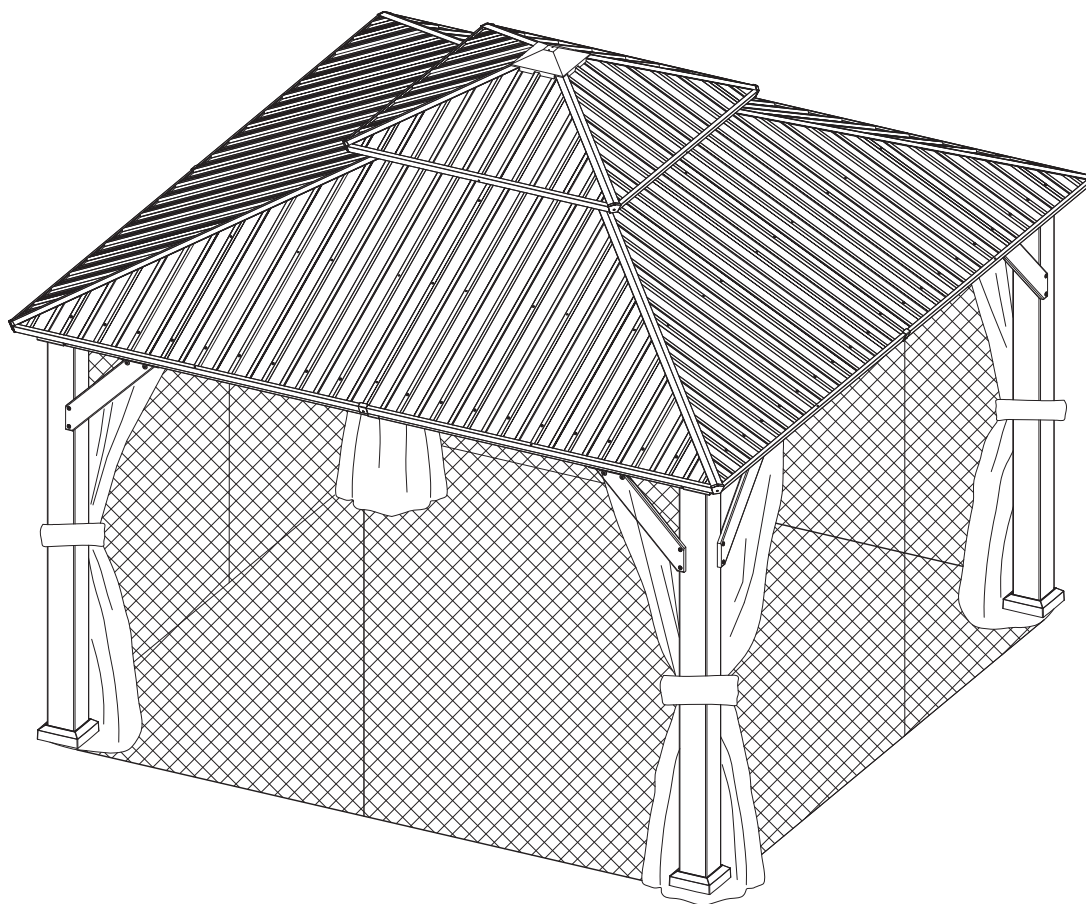


# 12' × 12' Metal Patio Wood Gazebo

## ASSEMBLY MANUAL



MODEL#:LGMF1586

# Pre-assembly



1. Two or more people are required for assembly.



2. You will need one or more stepladders.



3. Wearing protective gloves is recommended.



4. You may need a safety hat.



5. Please use a Phillips screw driver.



6. For ease of construction, you may need a drill.



7. You may need a safety goggle.



8. Do not fully tighten screws prior to complete assembly.

## Warning & Attention

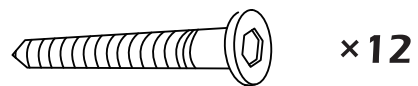
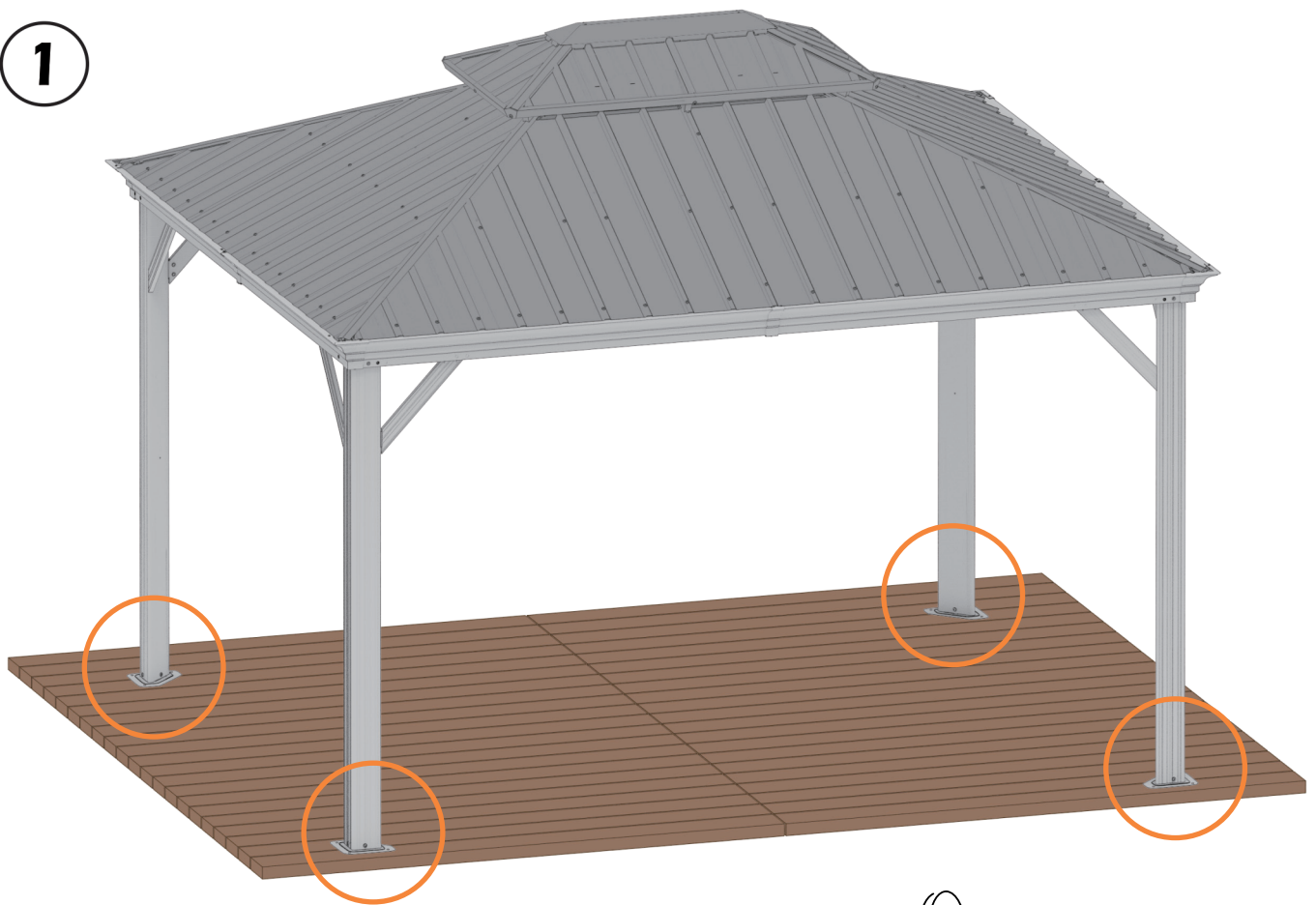
-Try to assemble this product on the flat ground, otherwise it is difficult to carry out;

-It would be much easier to assemble the product with three or more people;

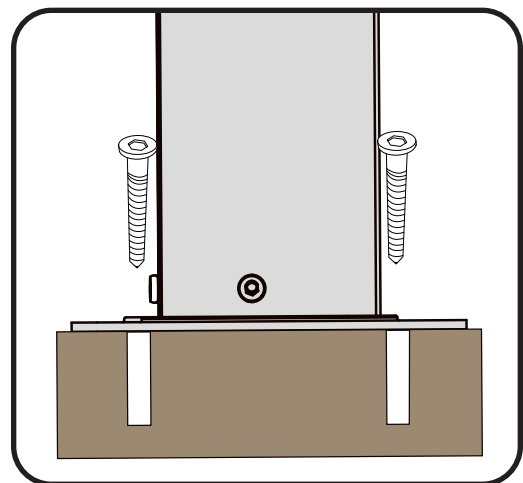
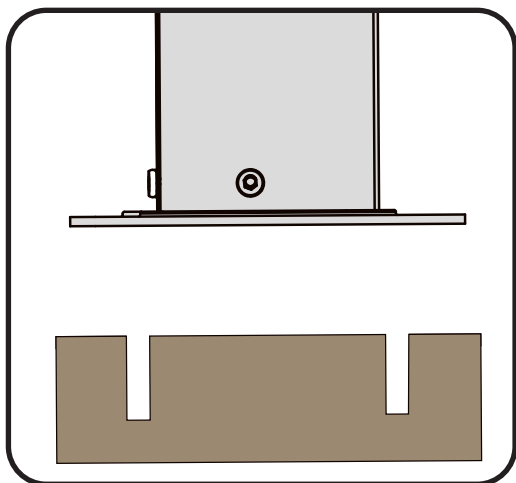
-After assembly, please check whether all screws are tightened, to prevent parts from falling apart.

▲ Use bolts to secure the frame to the ground to against the strong wind.

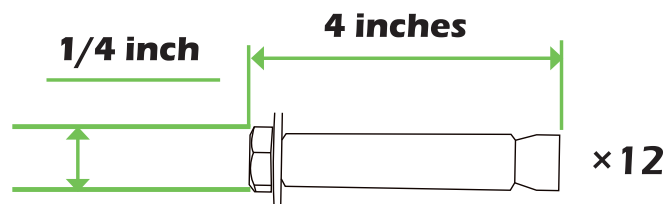
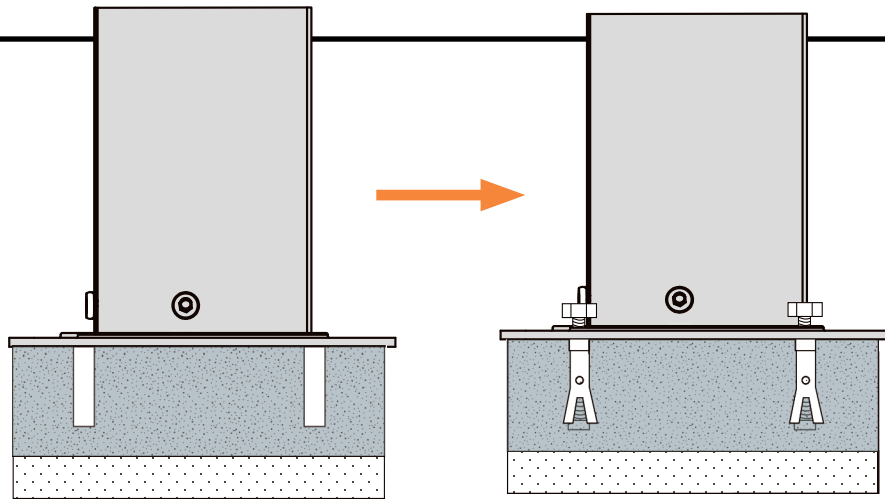
1



If the deck is hard wood and the depth of it is over 3 inch, you can use **5/16 in. x4 in. Structural Wood Screw** to mount the gazebo.

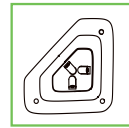
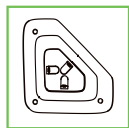
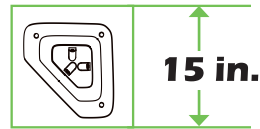
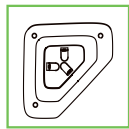


2



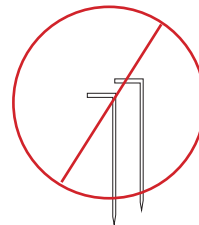
If the ground is concreted and the depth of it is over 3 inch, you can use 1/4 inch expansion bolts to mount the gazebo

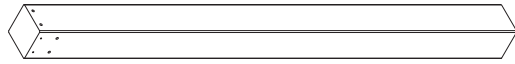
3



Or you can make a concrete footing for gazebo, **15×15×15 inches** is recommended. use expansion bolts to mount the pergola like ② shows.

**IMPORTANT:**  
Anchor is not recommended





A 4x Wood Pole



C 4x Beam



C1 4x Beam



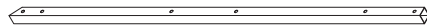
E 4x Corner Roof Bar



E1 4x Corner Roof Bar Connector



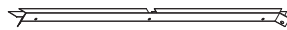
E2 4x Roof Bar



F 8x Solidifying Bar



H 4x Finishing Bar



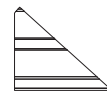
J 4x Finishing Bar



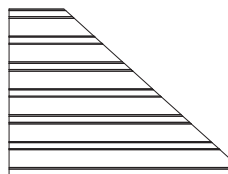
K 4x Finishing Bar



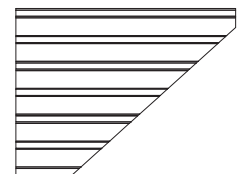
K1 4x Finishing Bar



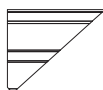
L1 4x Roof Panel



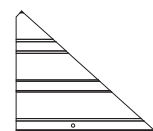
L2 4x Roof Panel



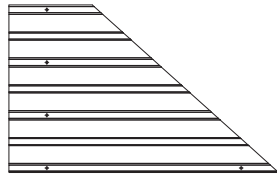
L3 4x Roof Panel



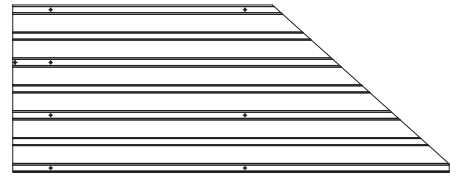
L4 4x Roof Panel



M1 4x Roof Panel



**M2** 4x Roof Panel



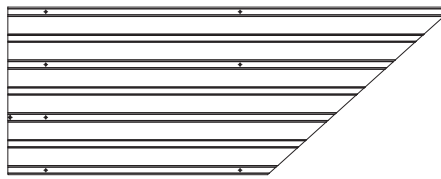
**M3** 4x Roof Panel



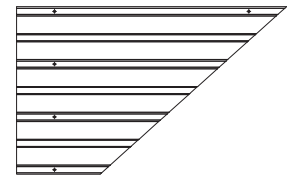
**M4** 4x Roof Panel



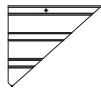
**M5** 4x Roof Panel



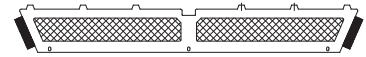
**M6** 4x Roof Panel



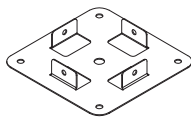
**M7** 4x Roof Panel



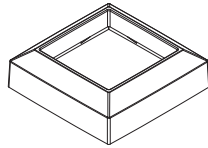
**M8** 4x Roof Panel



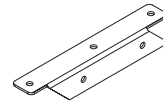
**Q** 4x Net Frame



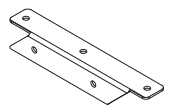
**B** 4x Base



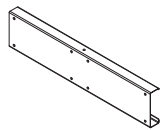
**B1** 4x Base Cover



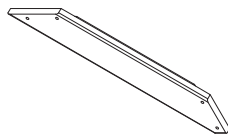
**B2** 4x Joint Cover



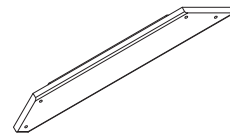
**B3** 4x Joint Cover



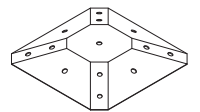
**C2** 4x Union Bar



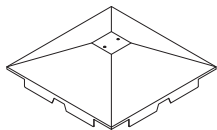
**R** 4x Corner Solidifying Bar



**R1** 4x Corner Solidifying Bar



**S** 1x Inside Roof Cover



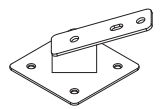
**S1** 1x Outside Roof Cover



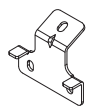
**T** 1x J-Hook



**T1** 4x Bracket



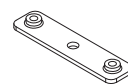
**U** 4x Bracket



**U1** 4x Bracket



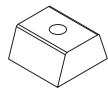
**U2** 4x Bracket



**U3** 4x Joint Cover



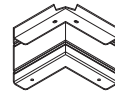
**V** 112x Hook



W 116x Spacer



X 4x Bracket



X1 4x Corner Cover



X2 4x Finishing End



X3 12x Finishing End



Y 4x Solid Sidewall



Y1 4x Mosquito Sidewall



Z 72x Plastic Bracket



Z1 8x Plastic Bracket



Z2 8x Plastic Bracket



1 1x



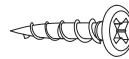
ST6.3x15

2 12x



ST5x16

3 24x



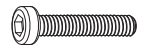
ST5x30

4 16x



M6

5 132x



M6x38

6 16x



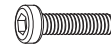
M6x10

7 16x



M6x16

8 124x



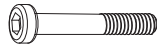
M6x25

9 8x



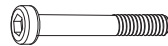
M6x28

10 72x



M6x45

11 4x



M6x50

12 32x



ST6.3x35

13 32x



ST8x30

14 16x



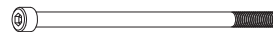
D6.6\*2

15 16x



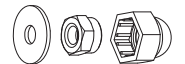
M3x65

16 1x Drill



M8x160

17 16x

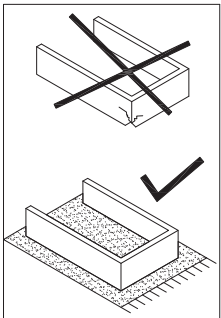


M8

18 16x



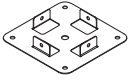
19 16x



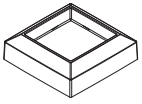
4



A 4x



B 4x



B1 4x



ST6. 3X35

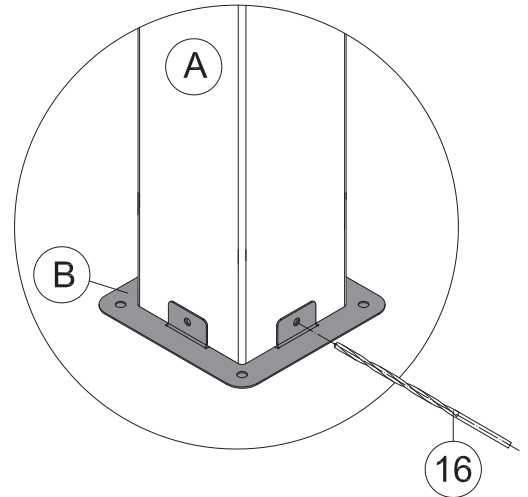
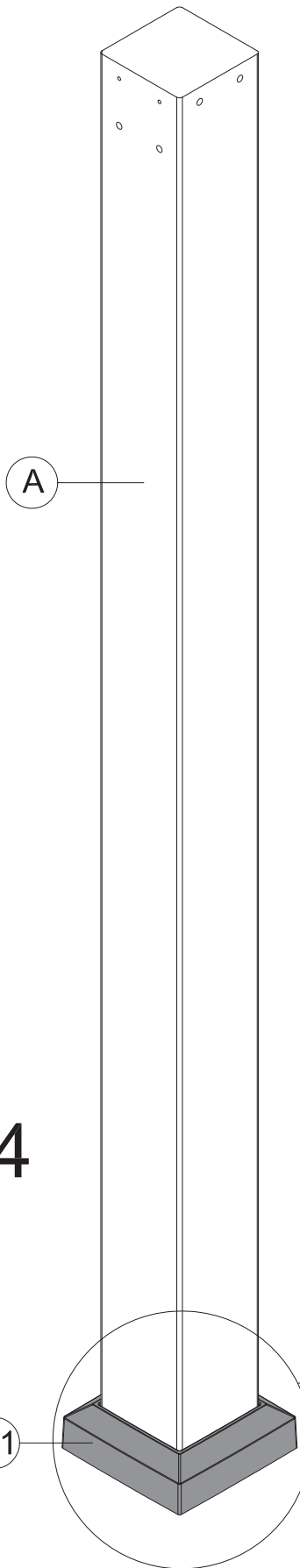
13 16x



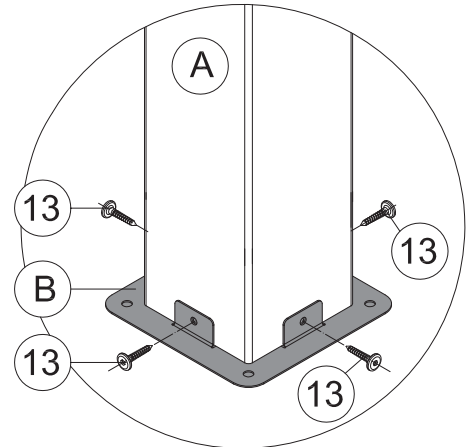
M3x65

16 1x

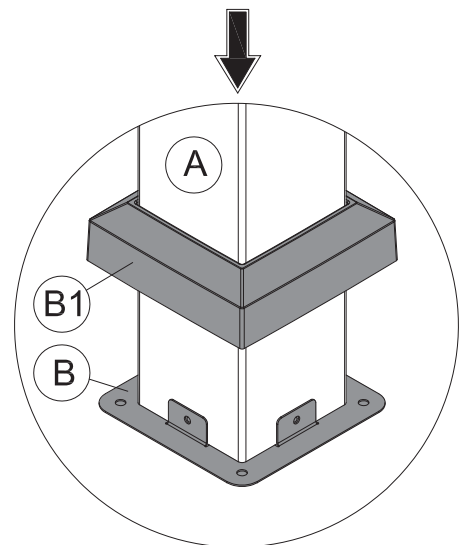
X4



(1) Put Part #B on the bottom of Part #A, after adjusting the position, use Drill #16 to drill holes at the holes in Part #B.



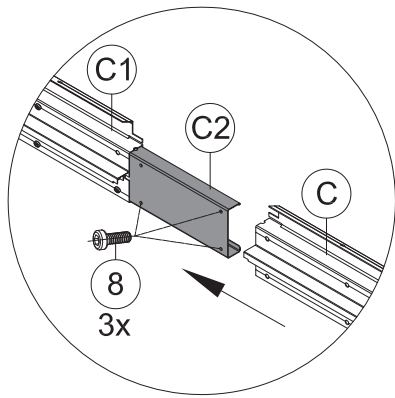
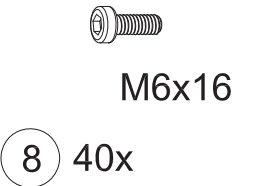
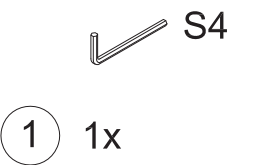
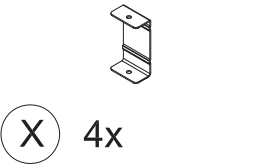
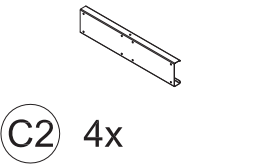
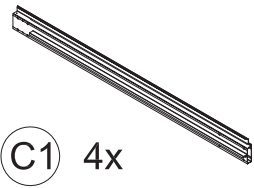
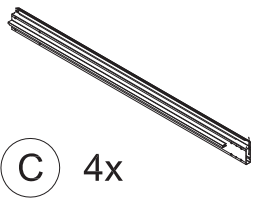
(2) Secure Part #B and Part #A with 4 Bolts #13.



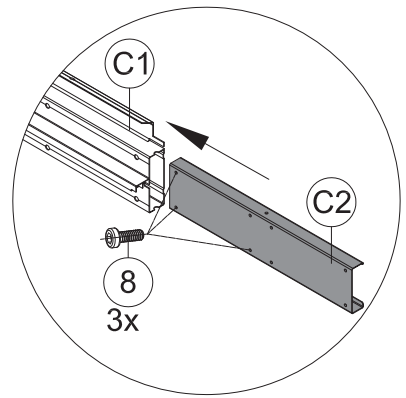
(3) Cover Part #B1 on Part #B.

(4) Repeat the above procedures to assemble the other 3 Part #A.

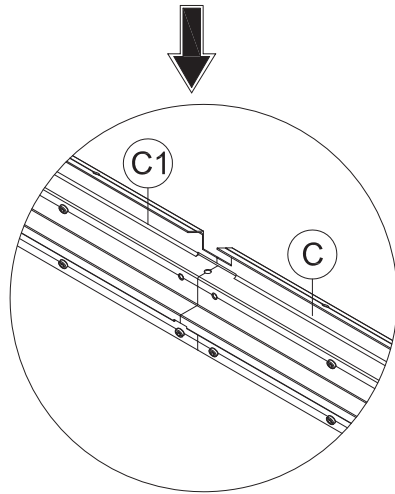




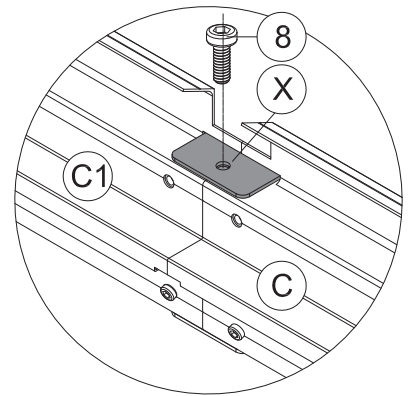
(2) Insert the other side of Part #C2 into Part #C and secure with 3 Bolts #8.



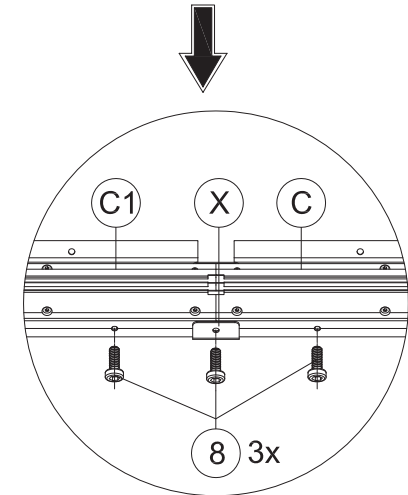
(1) Insert Part #C2 into Part #C1 and secure with 3 Bolts #8.



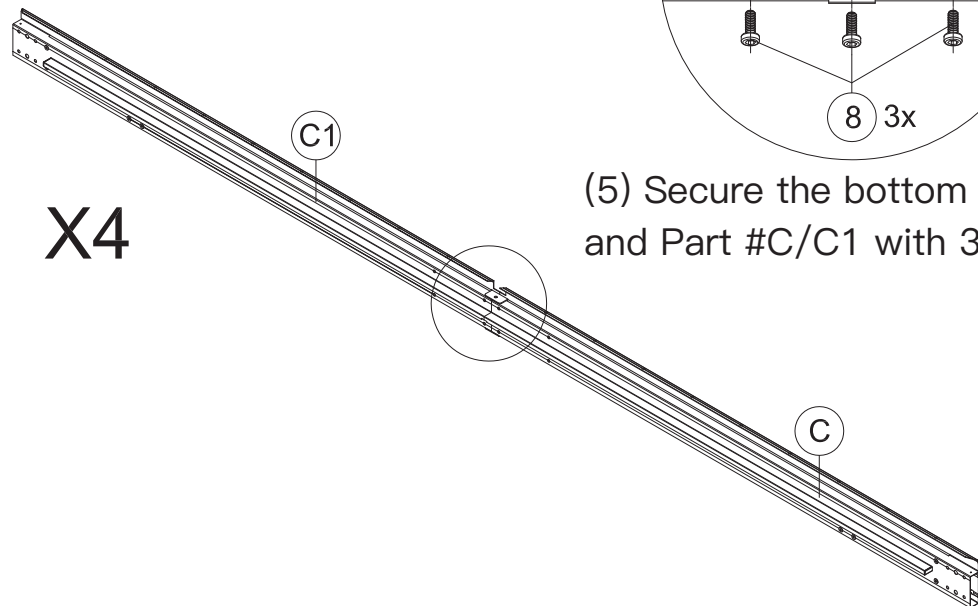
(3) Connect Part #C1 and Part #C through Part #C2.



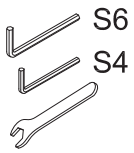
(4) Insert Part #X into the beam and secure with 1 Bolt #8.



(5) Secure the bottom of Part #X and Part #C/C1 with 3 Bolts #8.



(6) Repeat the above procedures to assemble the other 3 sides.



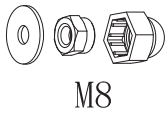
1 1x



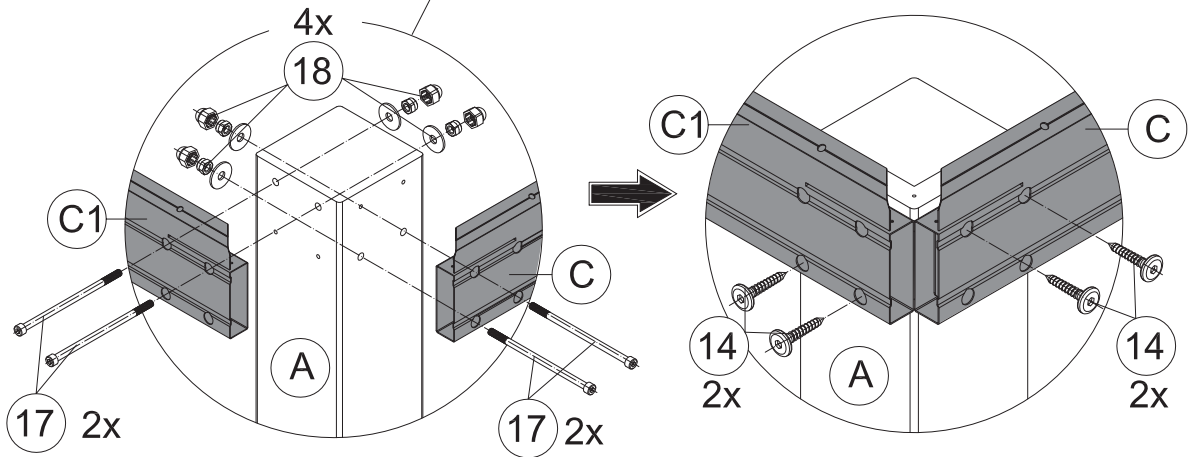
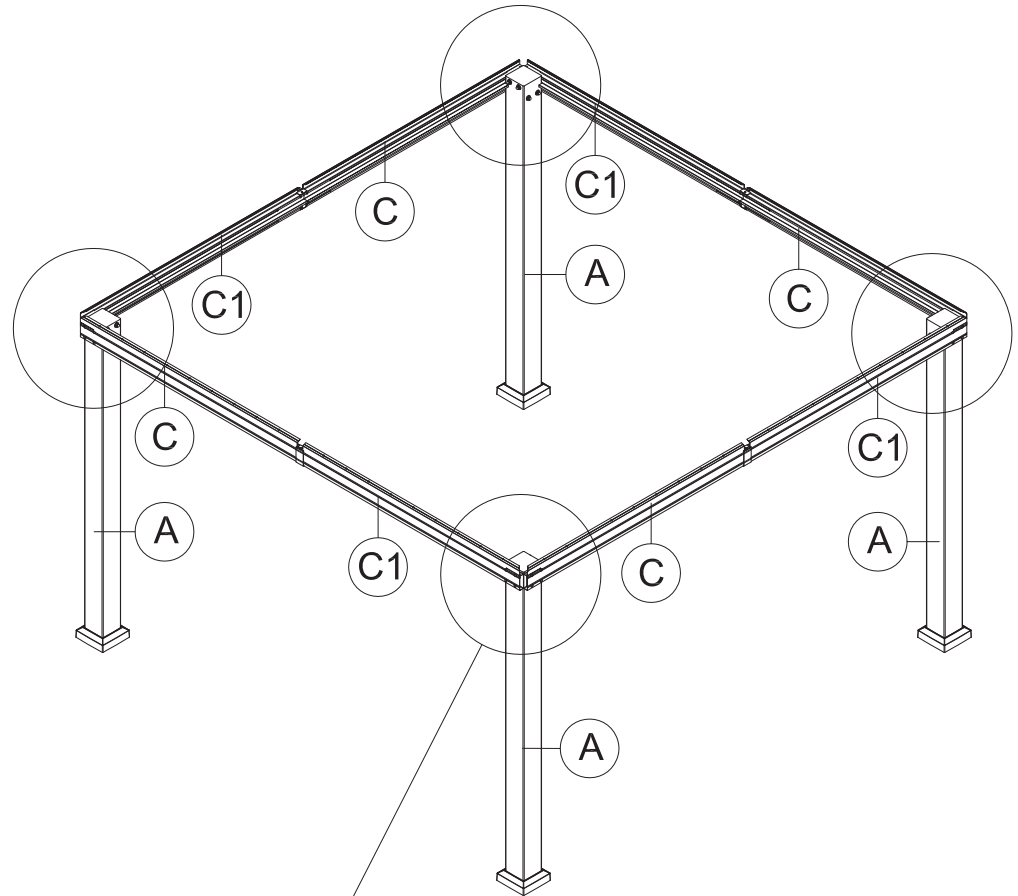
14 16x



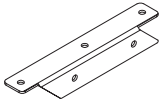
17 16x



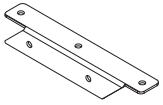
18 16x



- (1) Connect Part #C1 to Part #A with 2 Bolts #17, and fix from the other side with 2 Nuts #18. **(The first row of screw holes)**
- (2) Connect Part #C to Part #A with 2 Bolts #17, and fix from the other side with 2 Nuts #18. **(The second row of screw holes)**
- (3) Secure Part #C & #C1 with 4 Bolts #14.
- (4) Repeat the above procedures to assemble the other 3 corners.



(B2) 4x



(B3) 4x

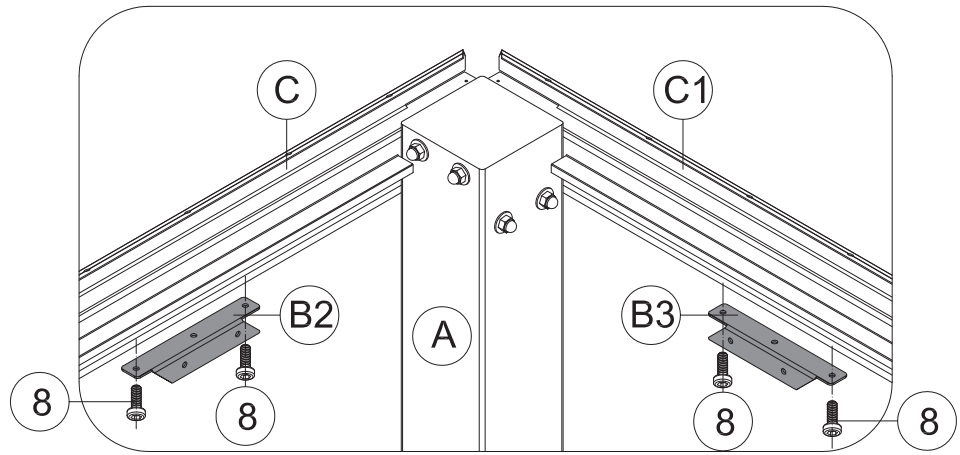


(1) 1x

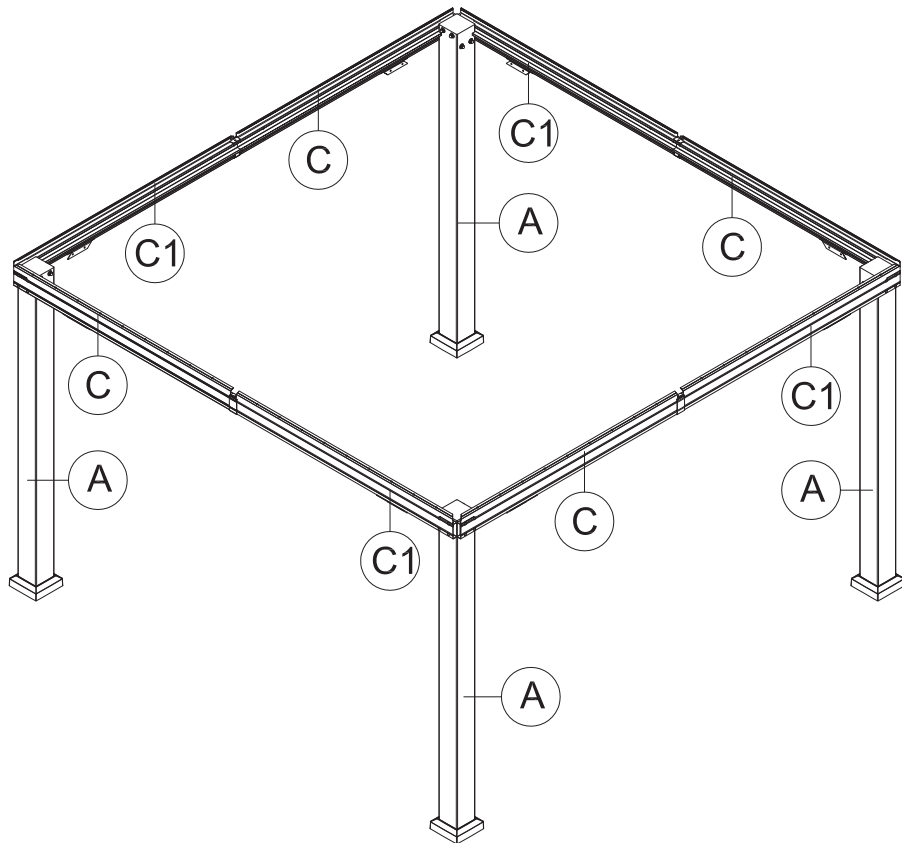


M6x16

(8) 16x

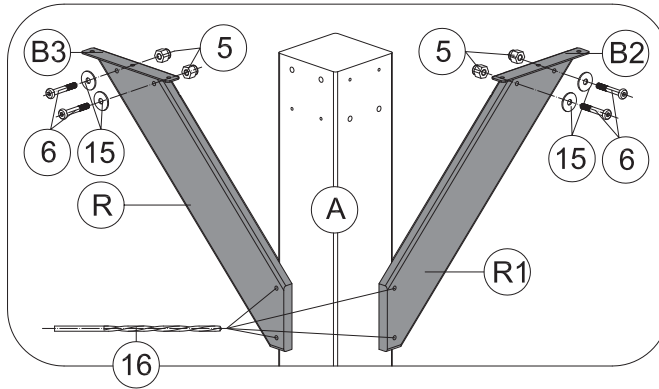


(1) Affix Part #B2 and Part #B3 to the Beam with 4 Bolts #8.



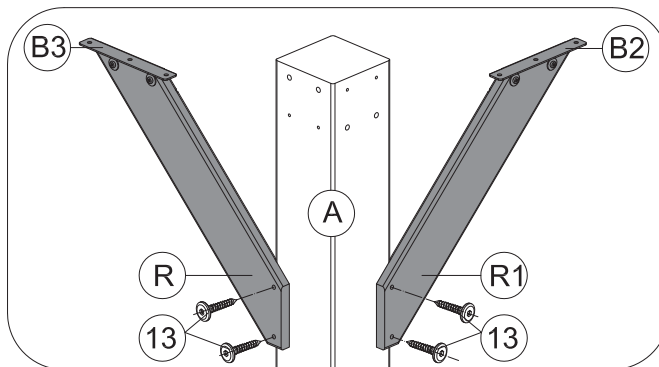
(2) Repeat the above procedures to assemble the other 3 corners.

⚠ Please don't tighten all bolts.



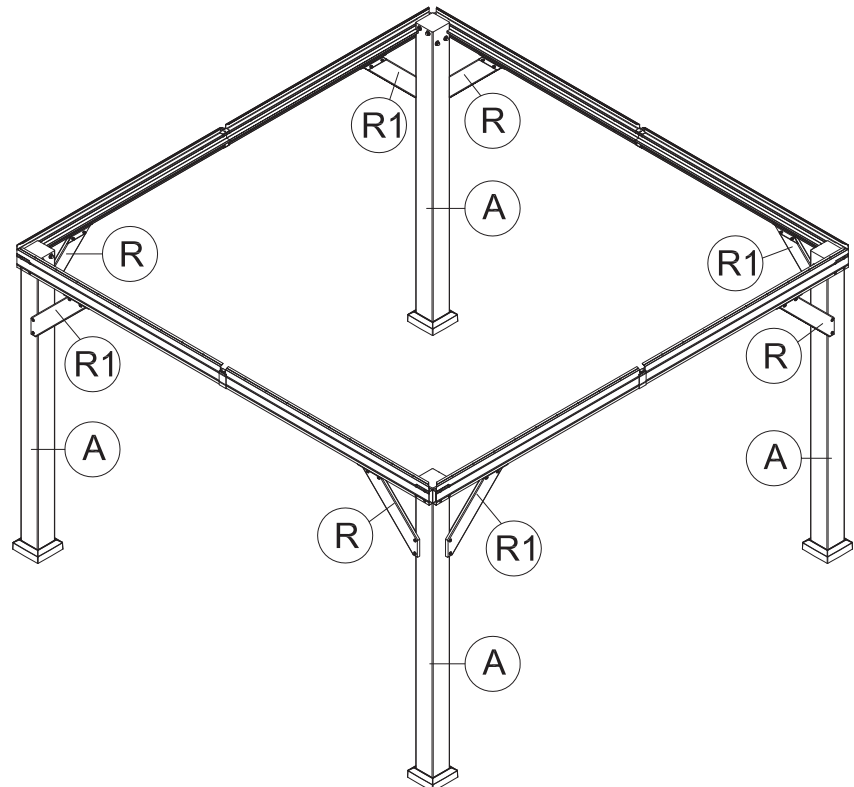
(1) Affix Part #R to the Part #B3 with 2 Bolts #6, 2 Washers #15 and 2 Nuts #5.

(2) Affix Part #R1 to the Part #B2 with 2 Bolts #6, 2 Washers #15 and 2 Nuts #5.



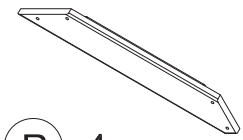
(3) Use Drill #16 to drill holes in the holes reserved for Part #R/#R1.

(4) Affix Part #R and Part #R1 to the posts with 4 Bolts #13.

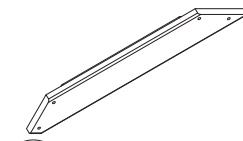


(5) Repeat the above procedures to assemble the other 3 corners.

▲ Please don't tighten all bolts.



R 4x



R1 4x



S4

1 1x



M6

5 16x



M6x38

6 16x



ST6. 3X35

13 16x



D6. 6\*2

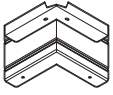
15 16x



M3x65

16 1x

9



X1 4x

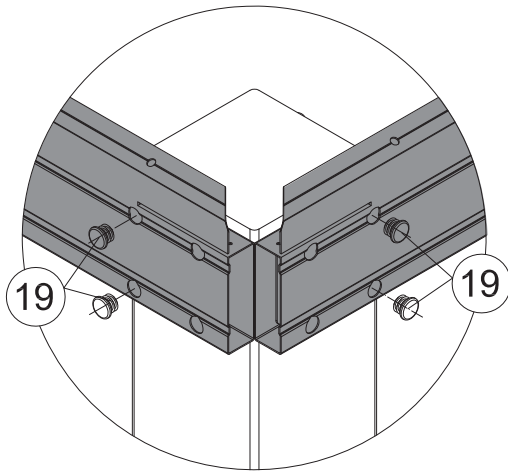


ST5x16

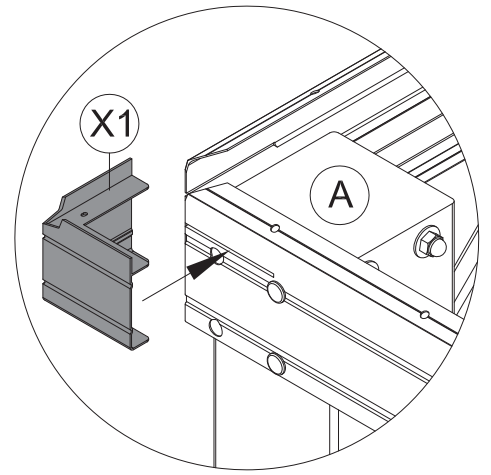
3 16x



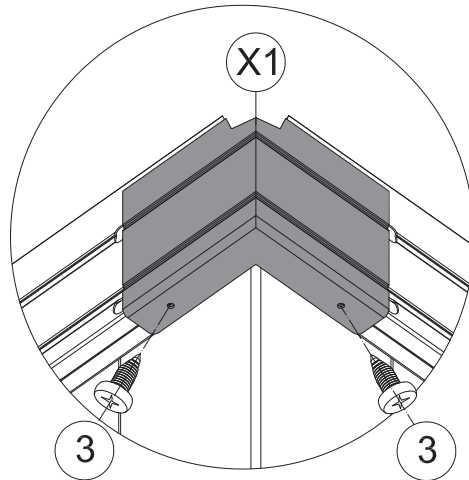
19 16x



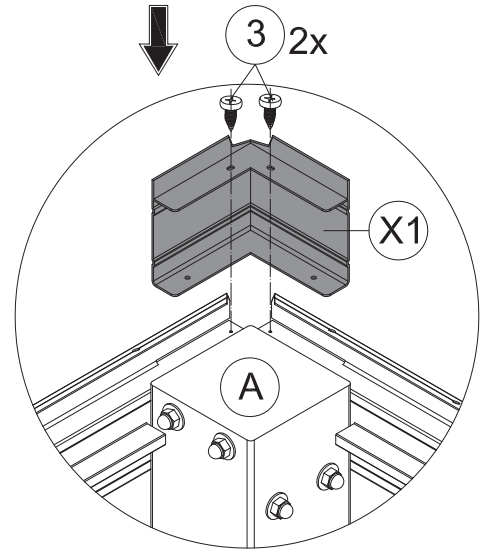
(1) Put 4 Part #19 on the 4 holes.



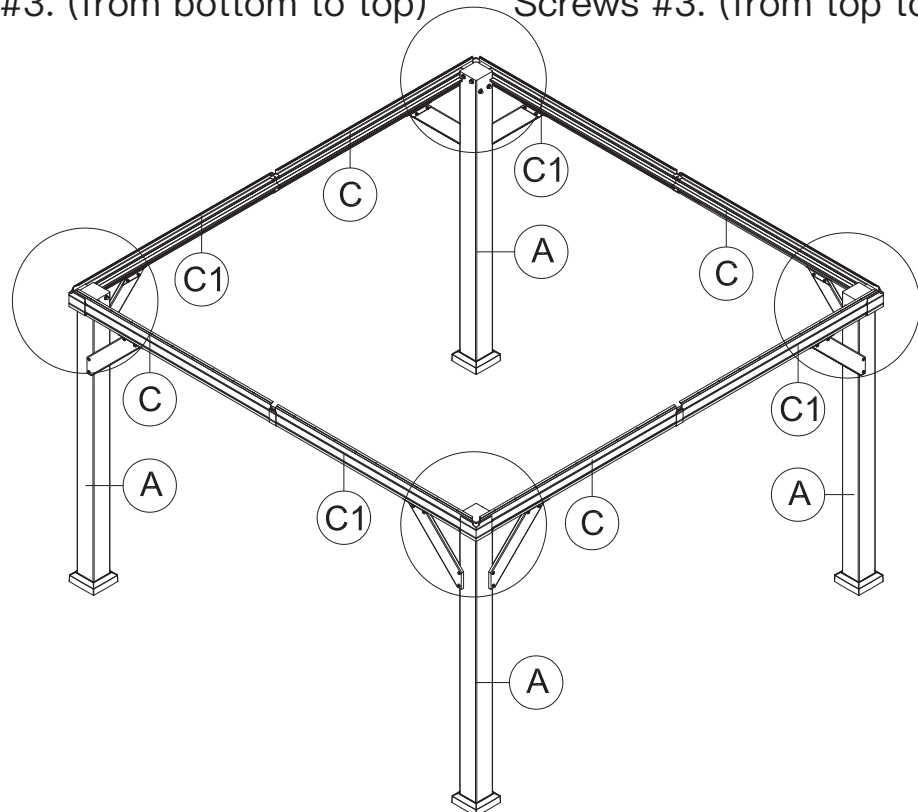
(2) Cover the corner with Part #X1.



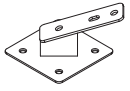
(4) Secure with 2 Self-tapping Screws #3. (from bottom to top)



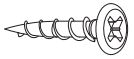
(3) Secure with 2 Self-tapping Screws #3. (from top to bottom)



(5) Repeat the above procedures to assemble the other 3 corners.



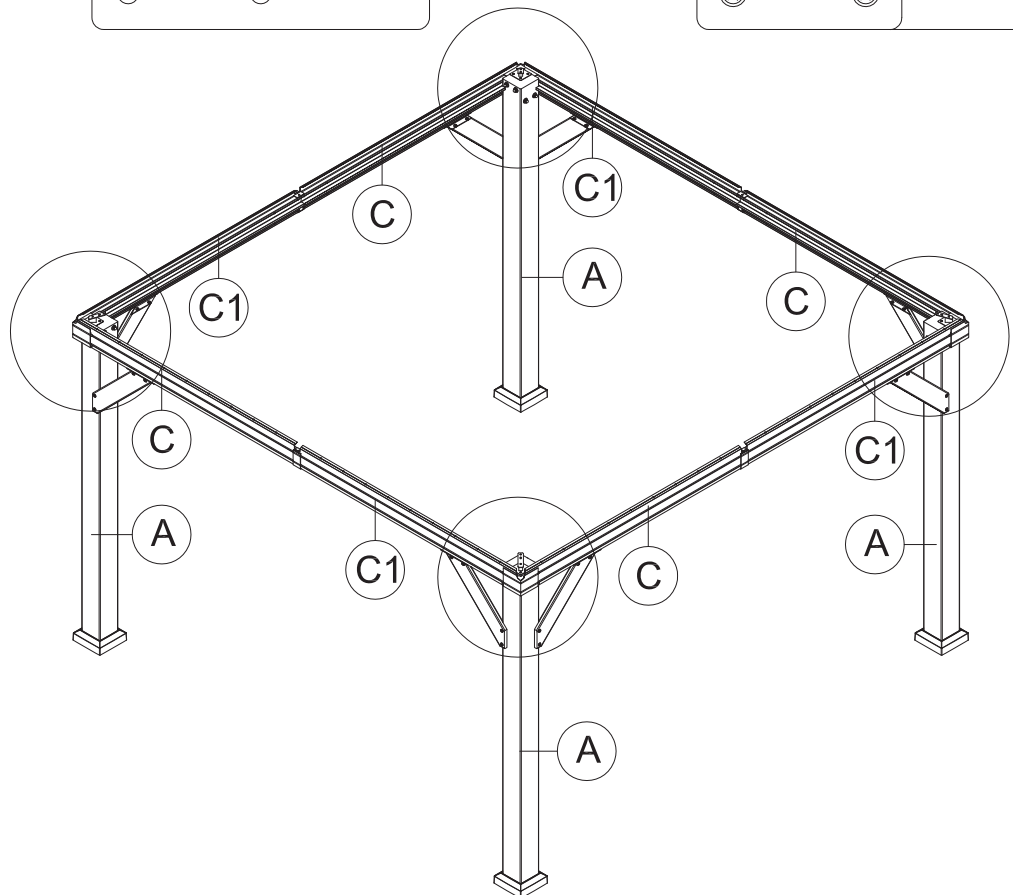
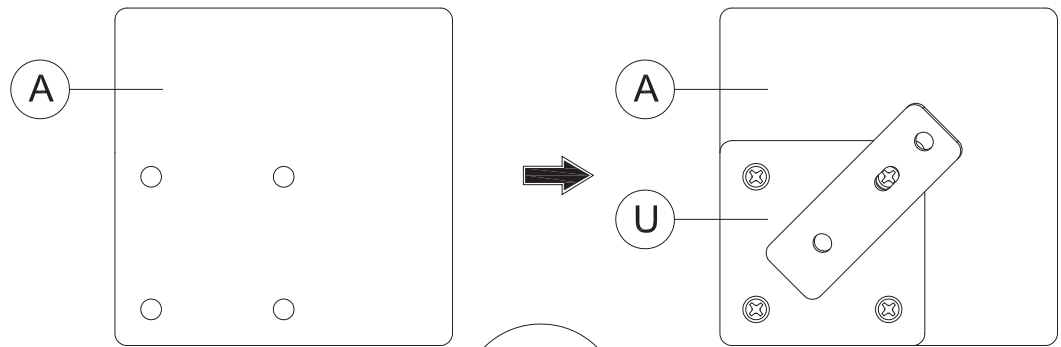
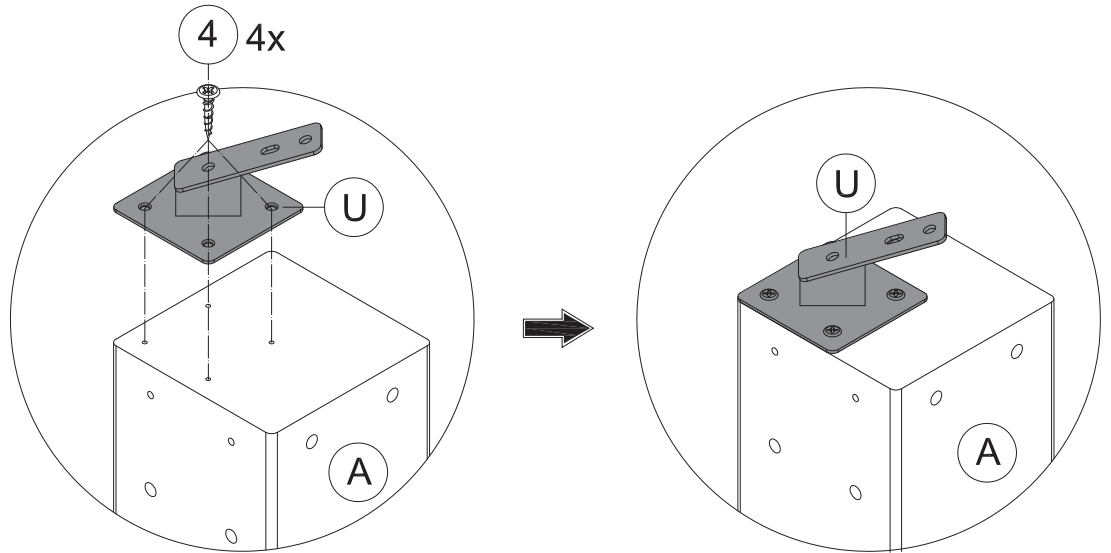
U 4x



ST5x30

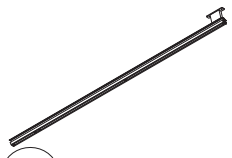
4 16x

(1) Connect Part #U to Part #A with 4 Bolts #4.



(2) Repeat the above procedures to assemble the other 3 corners.

▲ Tighten all bolts.



E 4x



E1 4x



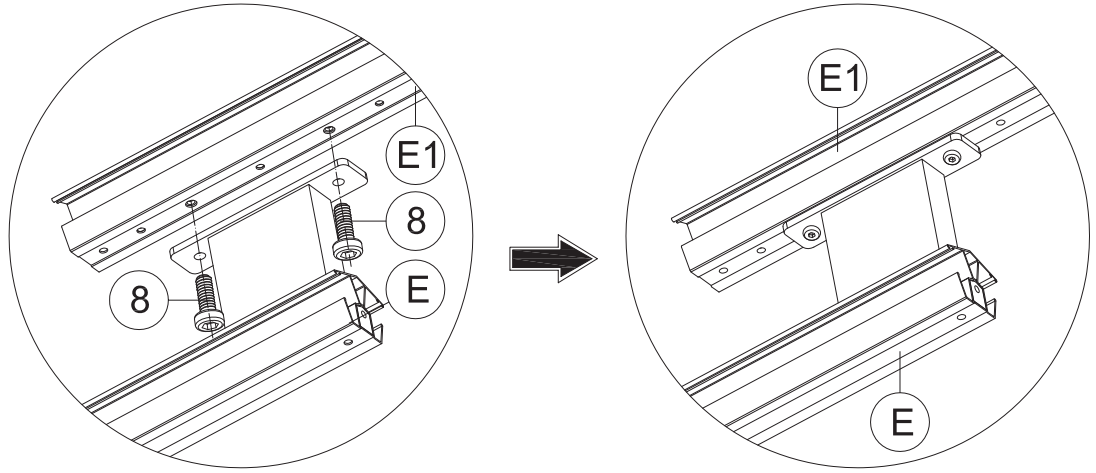
1 1x



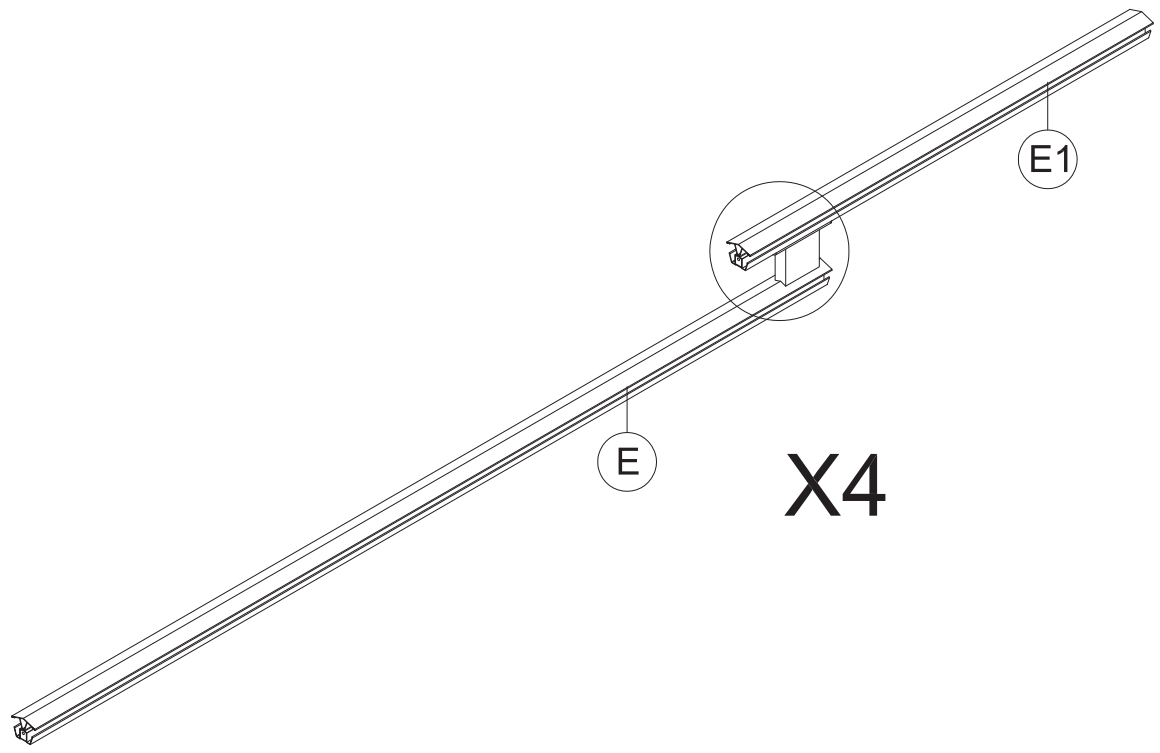
M6x16

8 8x

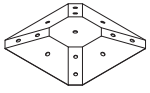
### Assemble the 4 Corner Roof Bars:



(1) Connect Part #E1 and Part #E with 2 Bolts #8 .



(2) Repeat the above procedures to assemble the other 3 corner roof bars.



S 1x



1 1x



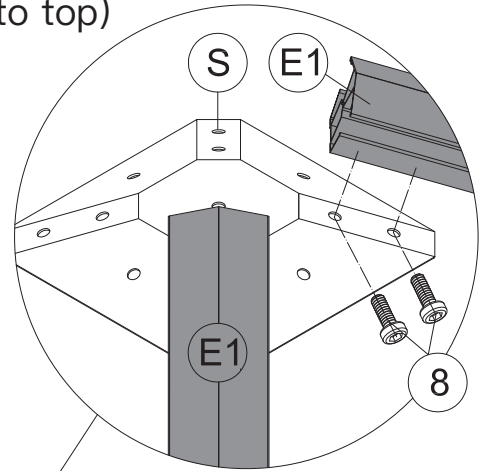
M6x16

8 16x

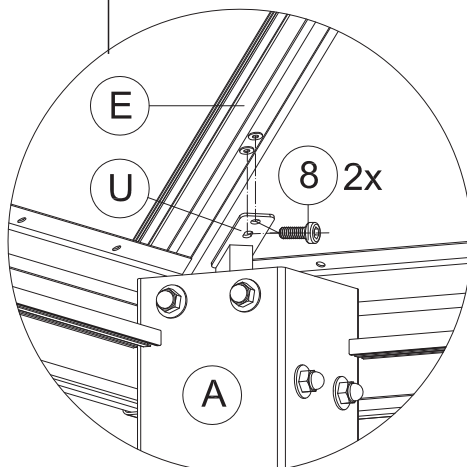
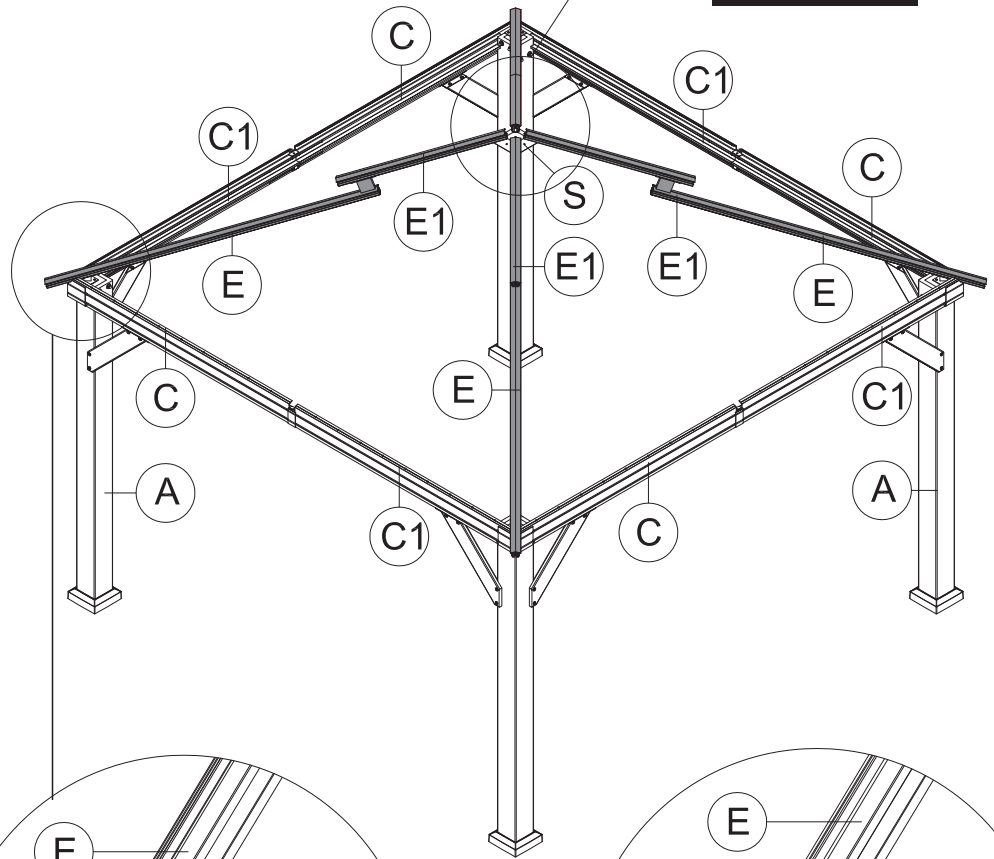
Please have a freestanding ladder ready at the center of the gazebo.

(1) Place 4 Part #E1 on the 4 corners of Part #S.  
Secure with 8 Bolts #8 (from bottom to top)

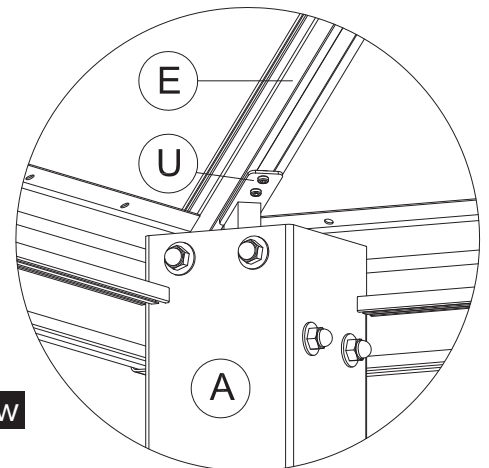
**ATTENTION:** You can also finish this step on the ground and then lift 4 corner roof bars and inside roof connector to the top together. (Need 2 people and 2 ladders)



Outside View

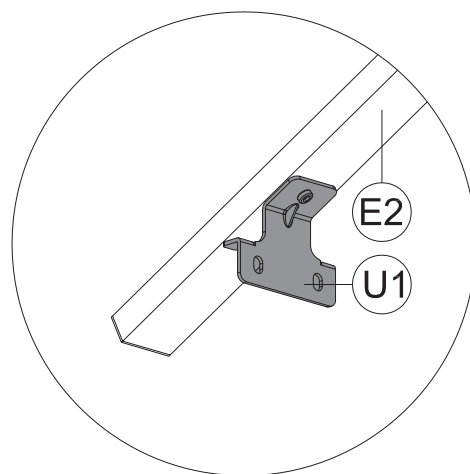
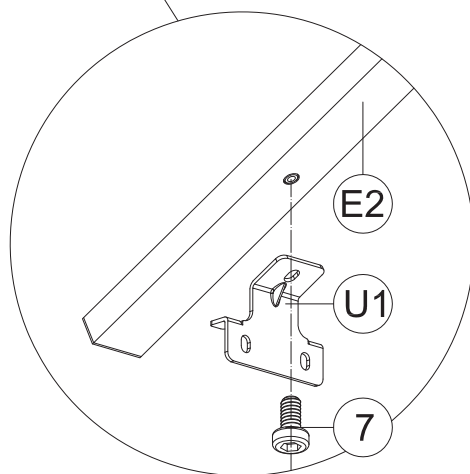
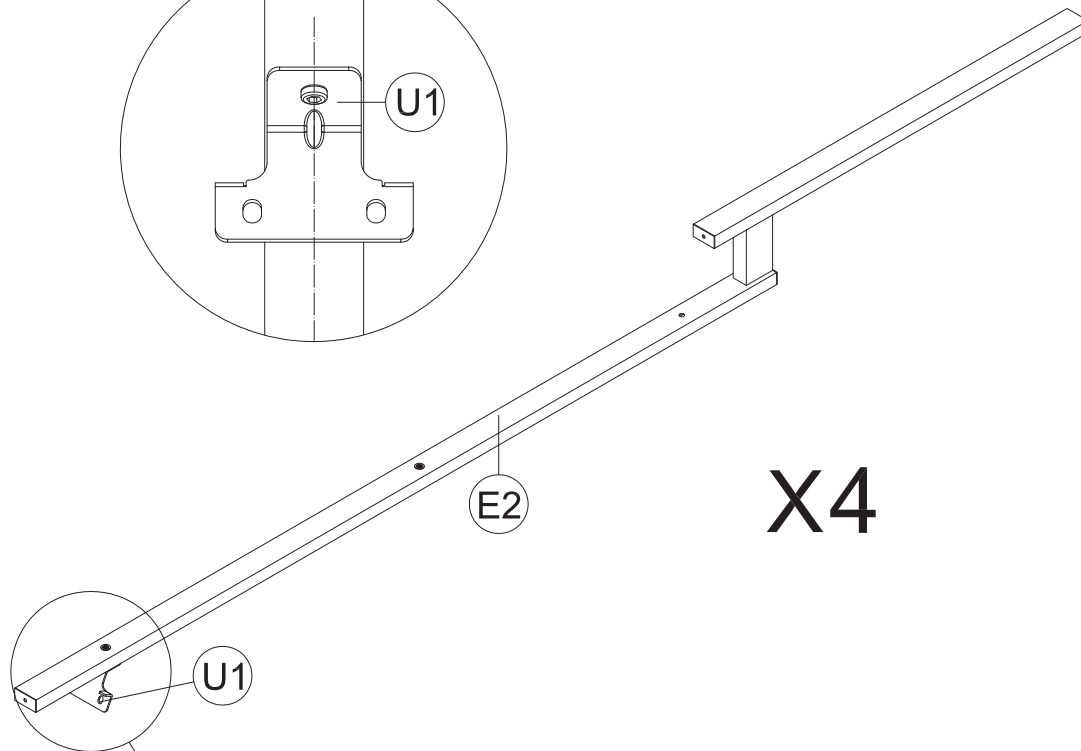
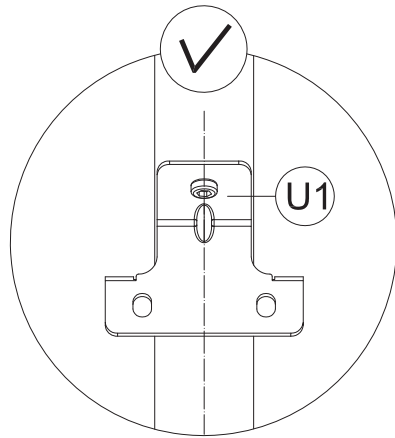
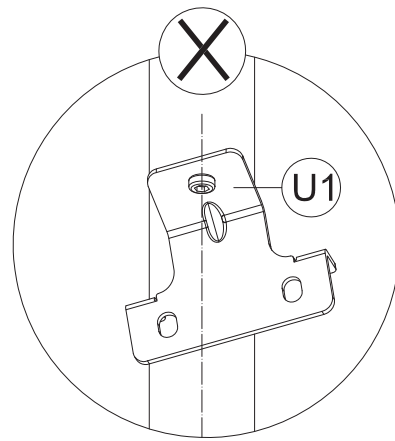
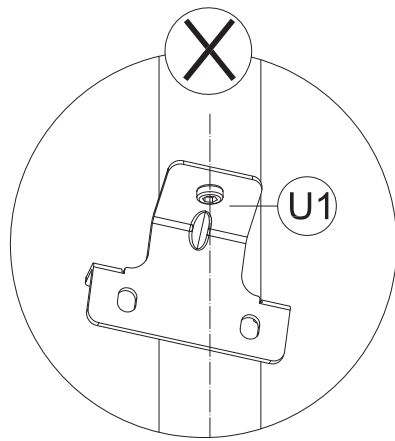
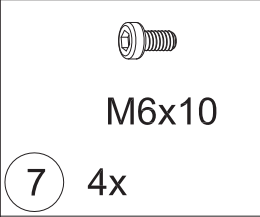
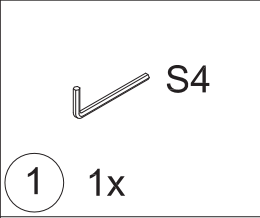
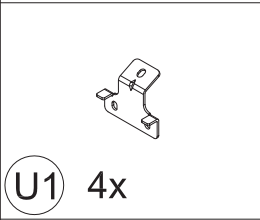
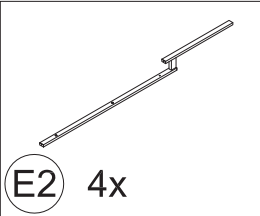


Inside View



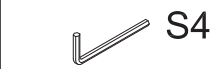
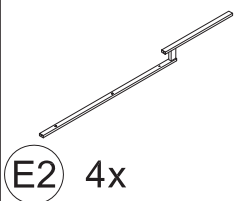
(2) Place 4 Part #E on 4 Part #A; Secure with 4 Part U and 8 Bolts #8.





(1) Attach Part #U1 to Part #E2 with Bolt #7 .

(2) Repeat the above procedures to assemble the other 3 roof bars.



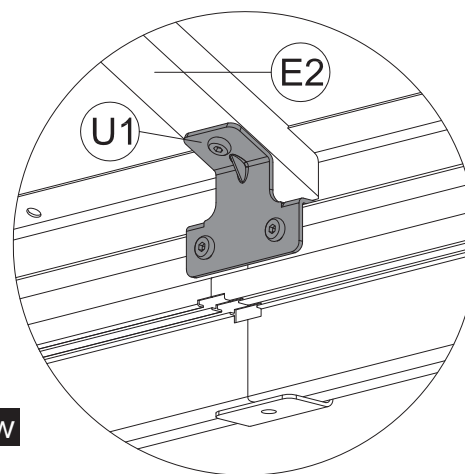
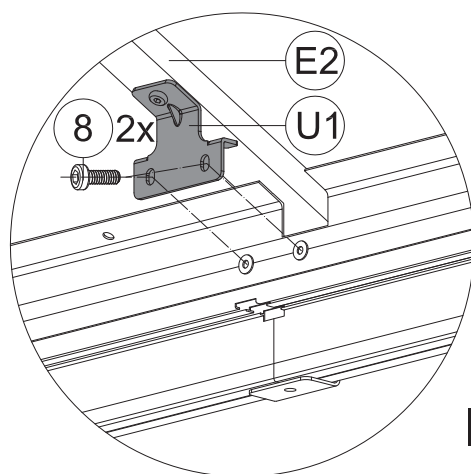
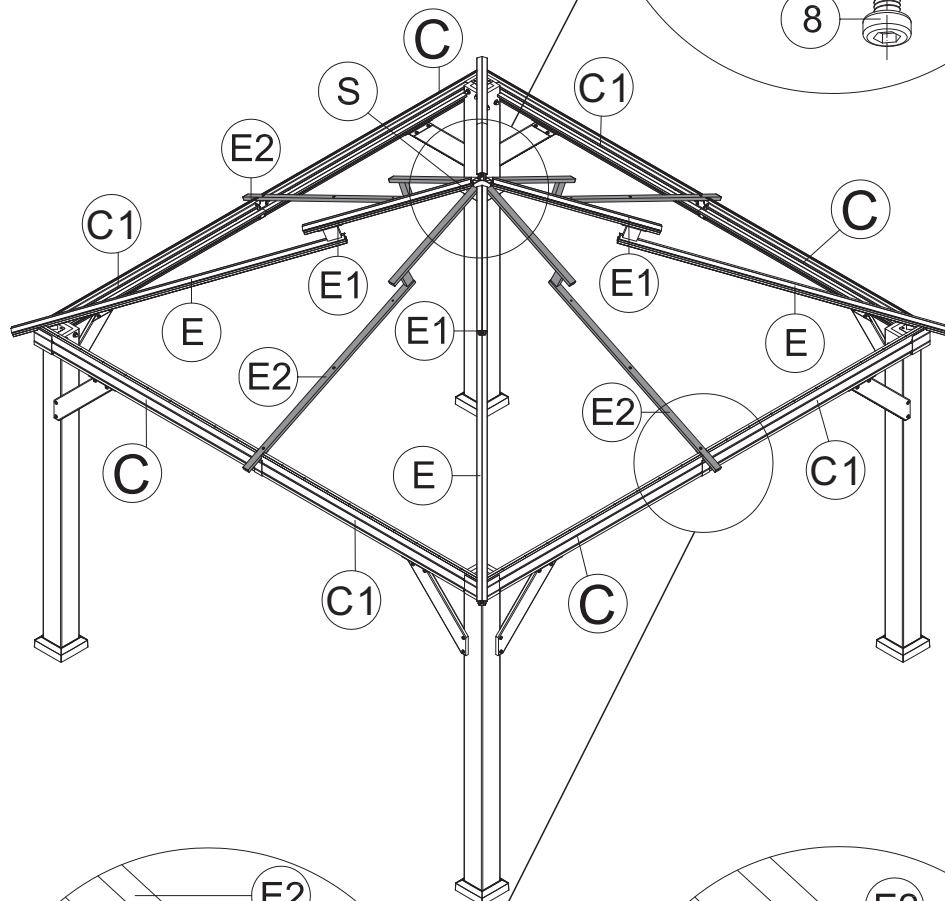
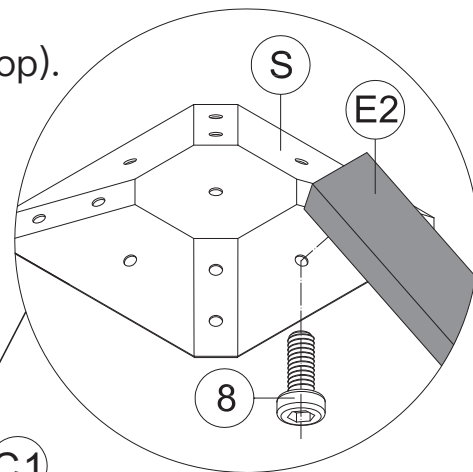
1 1x



8 12x

(1) Place Part #E2 on part #S.  
Secure with Bolt #8 (from bottom to top).

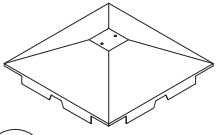
Outside View



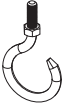
Inside View

(2) Connect Part #E2 and the Assembled Beam(C&C1) with part #U1.  
Secure with 2 Bolts #8 .

(3) Repeat the above procedures to assemble the other 3 sides.

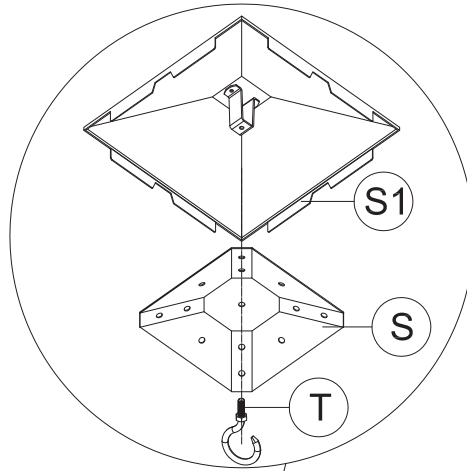


(S1) 1x

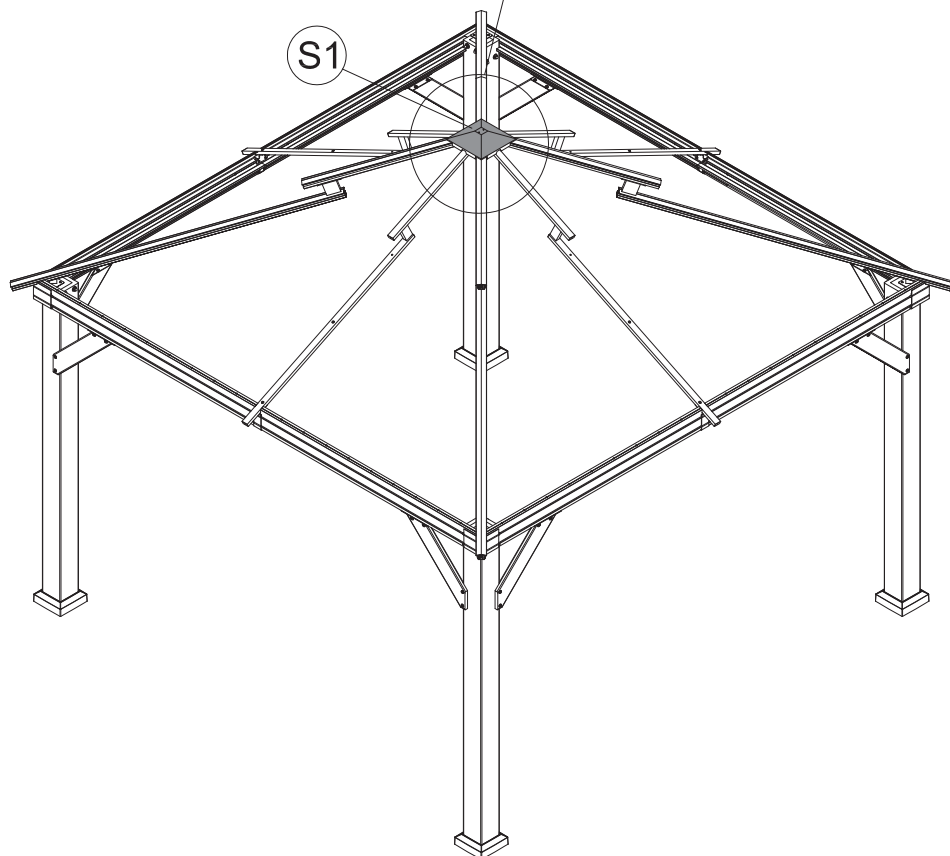


(T) 1x

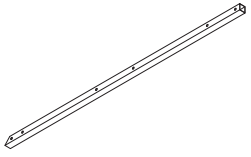
Secure Part #T to Part #S and Part #S1.(from bottom to top)



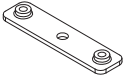
Outside View



**ATTENTION:** The holes of Part #S and Part #S1 need to be aligned, on the same vertical line.



F 8x



U3 4x



1 1x



M6x10

7 4x

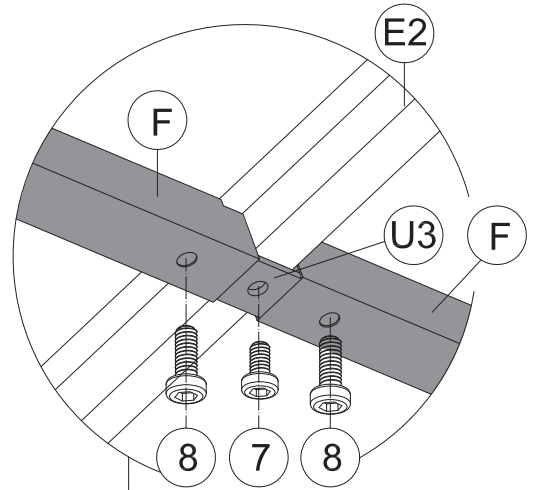


M6x16

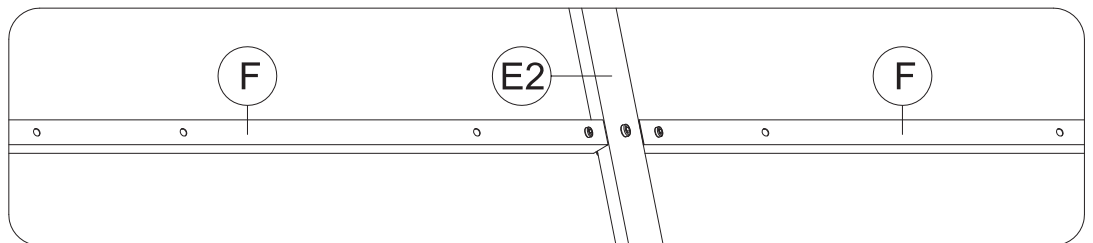
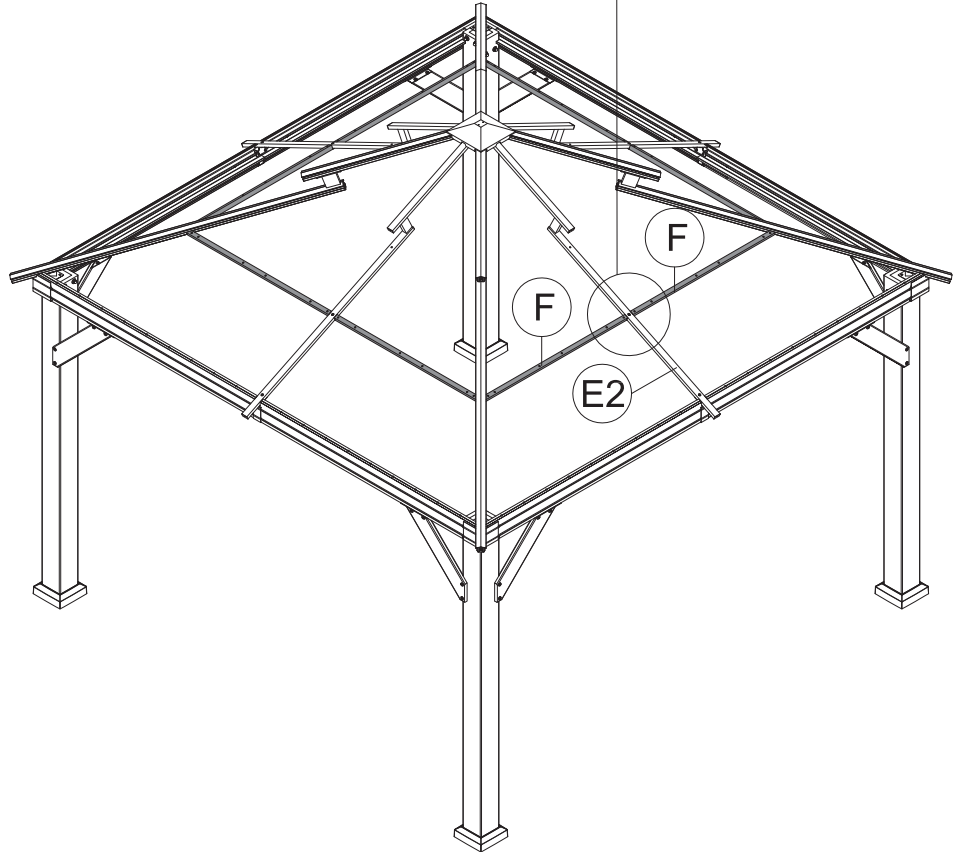
8 8x

(1) Insert Part #U3 into 2 Part #F.

(2) Attach 2 Part #F to Part #E2 with 1 Bolt #7 and 2 Bolts #8.



Inside View



(3) Repeat the above procedures to assemble the other 3 sides.



U2 4x

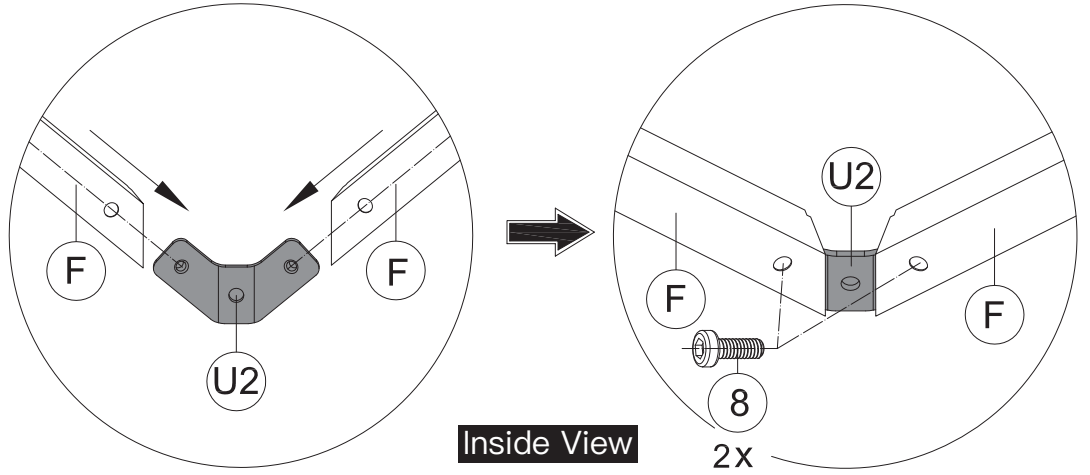


1 1x



M6x16

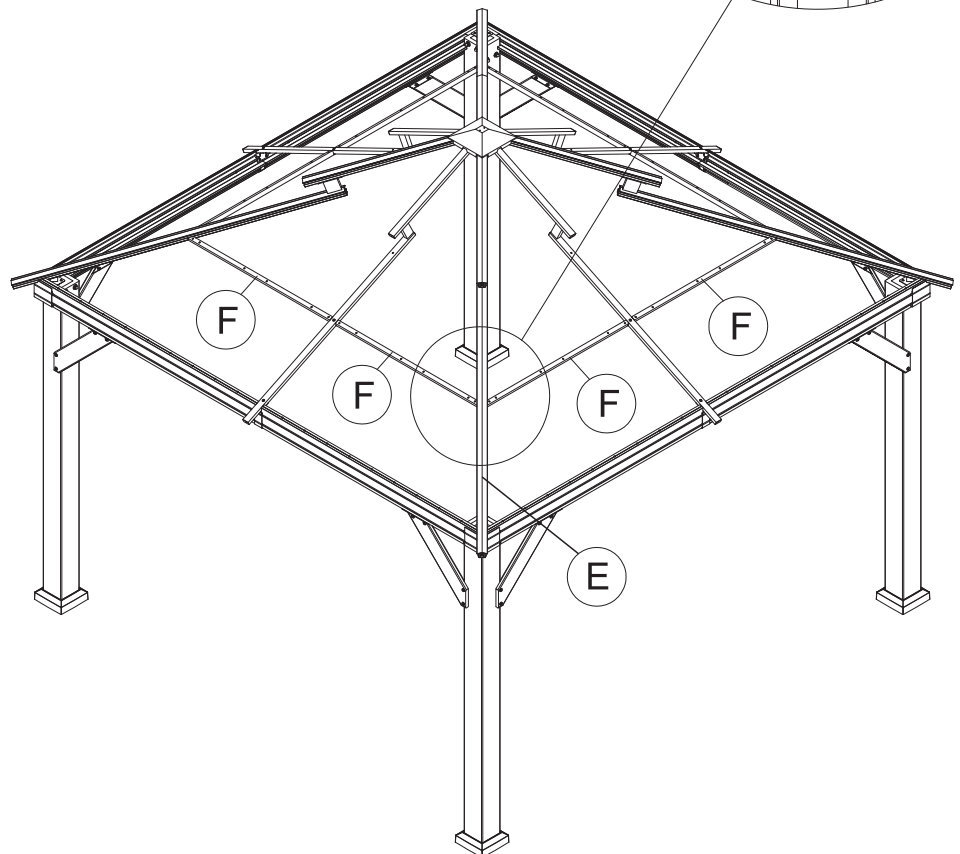
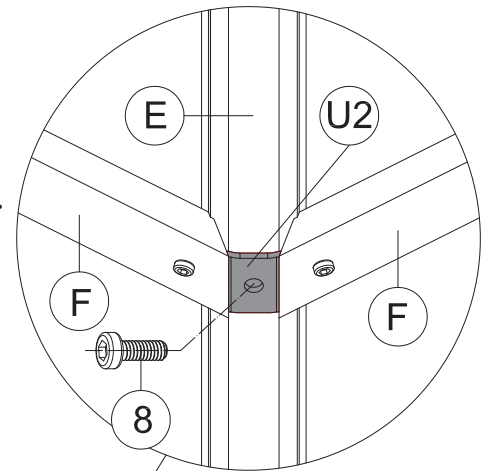
8 12x



Inside View

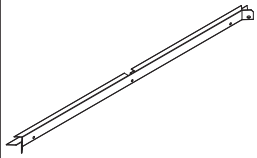


- (1) Insert Part #U2 into 2 Part #F.
- (2) Secure with 2 Bolts #8.
- (3) Secure them to Part #E with Bolt #8.

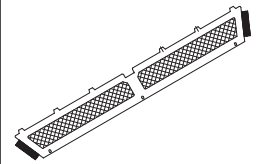


18

- (4) Repeat the above procedures to assemble the other 3 corners.



J 4x



Q 4x



1 1x



M6

5 8x



M6x10

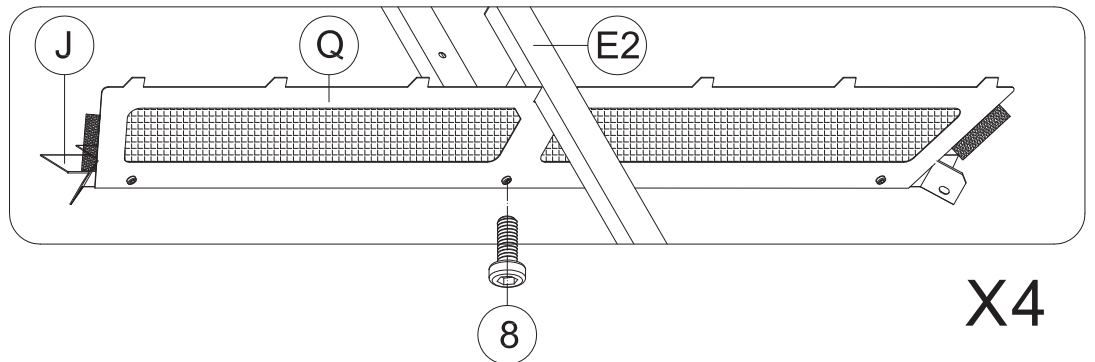
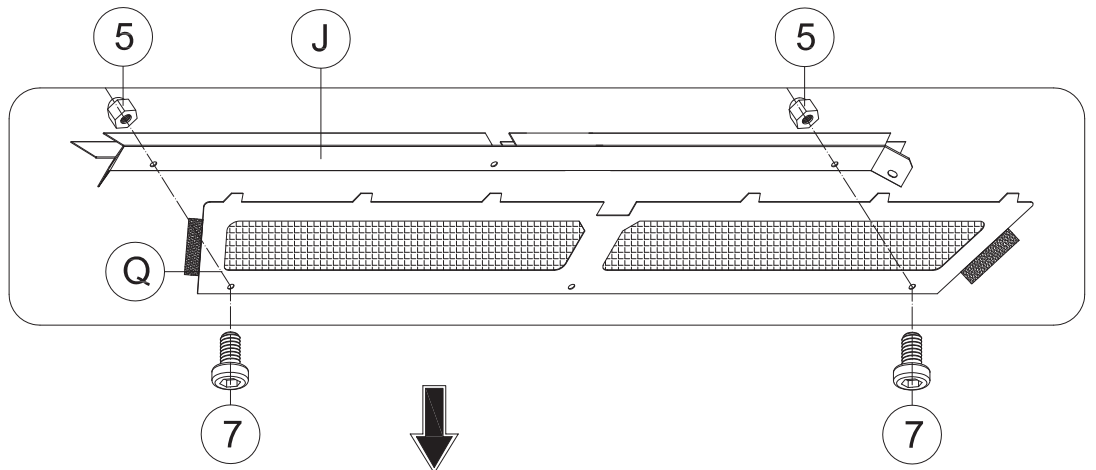
7 8x



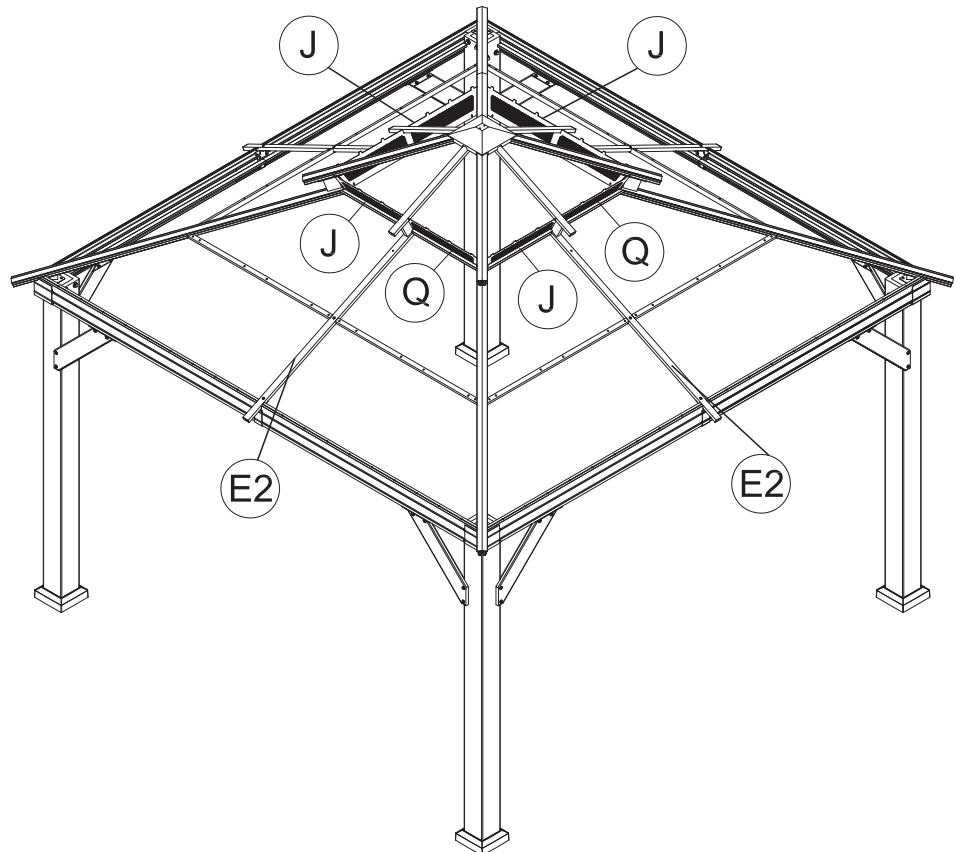
M6x16

8 4x

(1) Connect Part #J and Part #Q with 2 Bolts #7 and 2 Nuts #5.



(2) Place the Assembled Part #J & #Q on Part #E2, securing with 1 Bolt #8.



(3) Repeat the above procedures to assemble the other 3 sides.



X3 4x

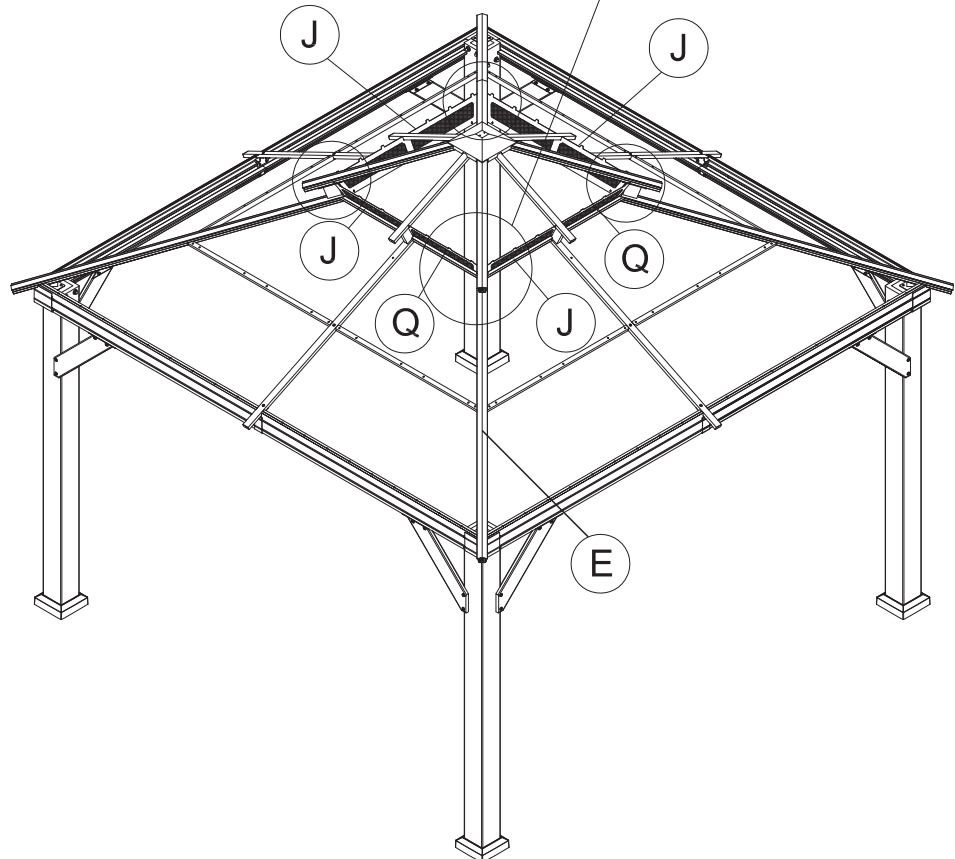
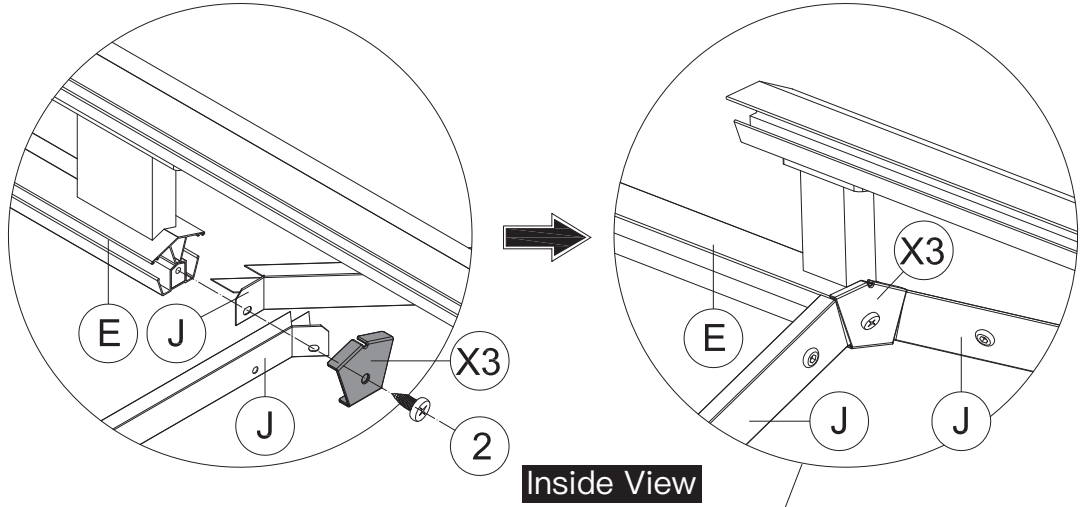


1 1x




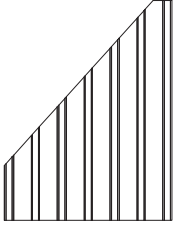
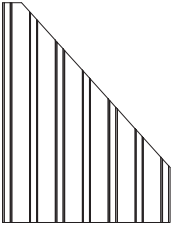
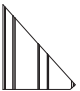



ST6.3x15  
2 4x

(1) Place 2 Part #J on Part #E;  
put on Part #X3 and secure with Self-tapping Screw #2.

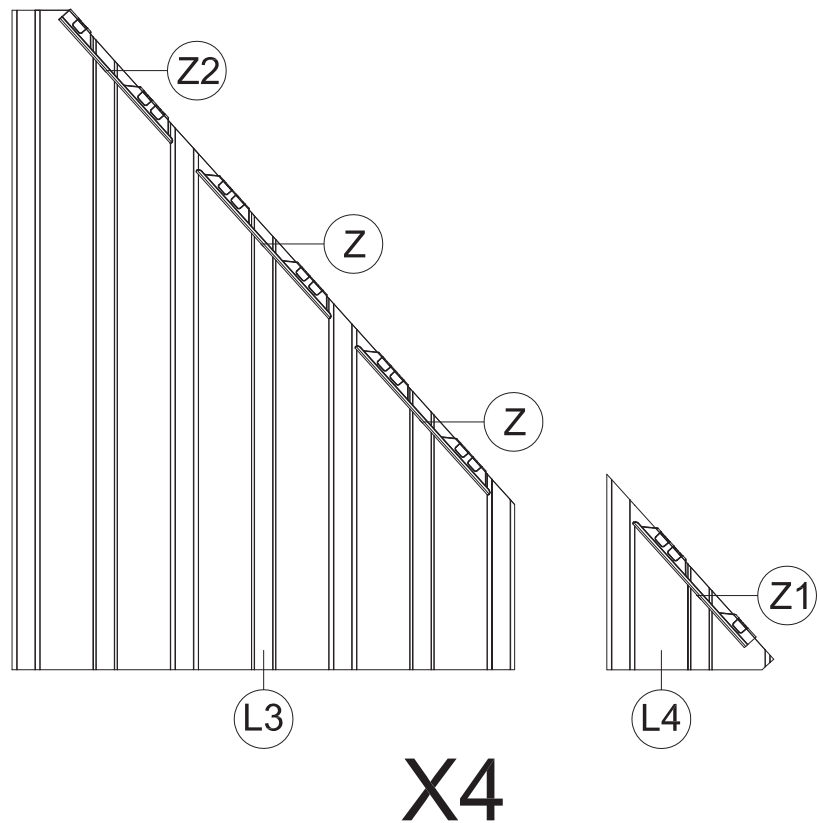
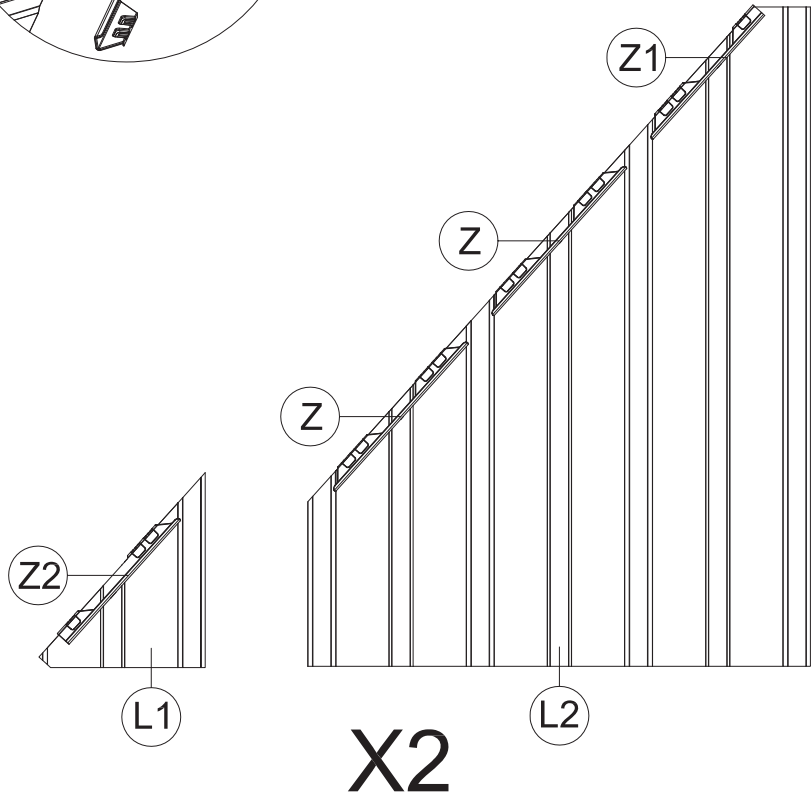
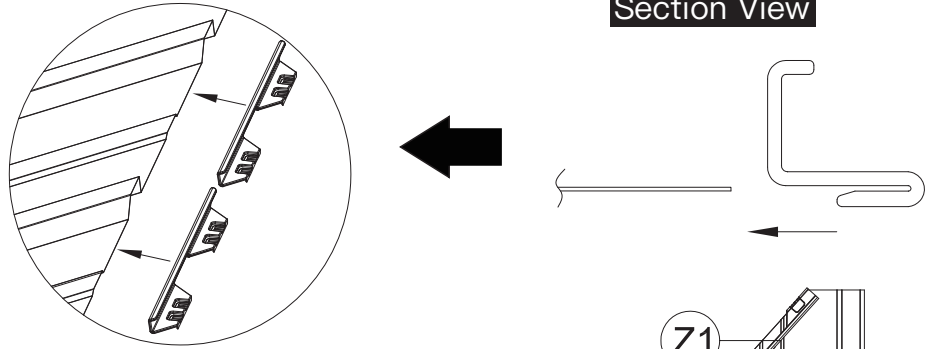


(2) Repeat the above procedures to assemble the other 3 corners.

# Cover Part #Z, #Z1 & #Z2 to Roof Panels.

-  **(L1) 4x**
-  **(L2) 4x**
-  **(L3) 4x**
-  **(L4) 4x**
-  **(Z) 16x**
-  **(Z1) 8x**
-  **(Z2) 8x**

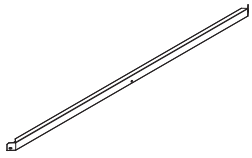
**Section View**



**21**



**ATTENTION:** The bigger roof panel need to cover the smaller one.



**H** 4x

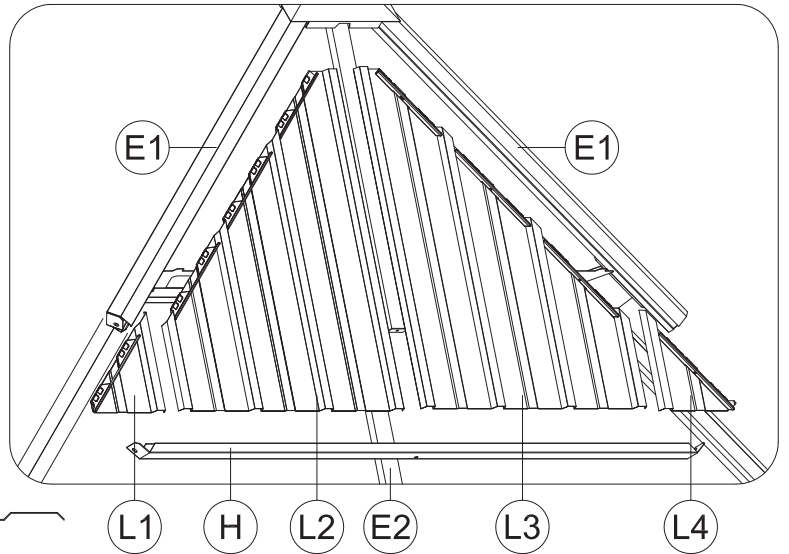
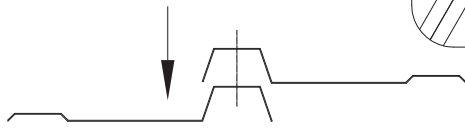
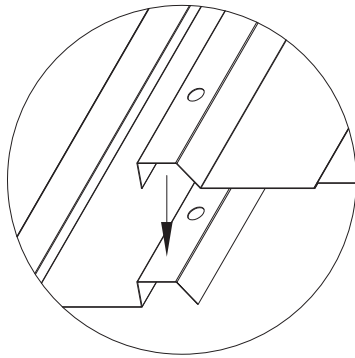


**1** 1x



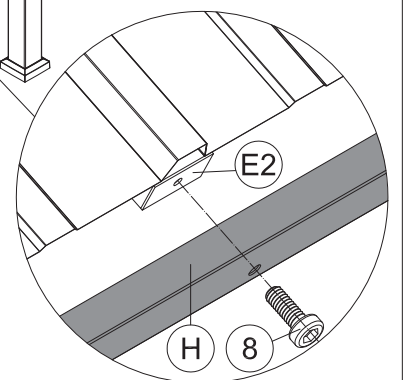
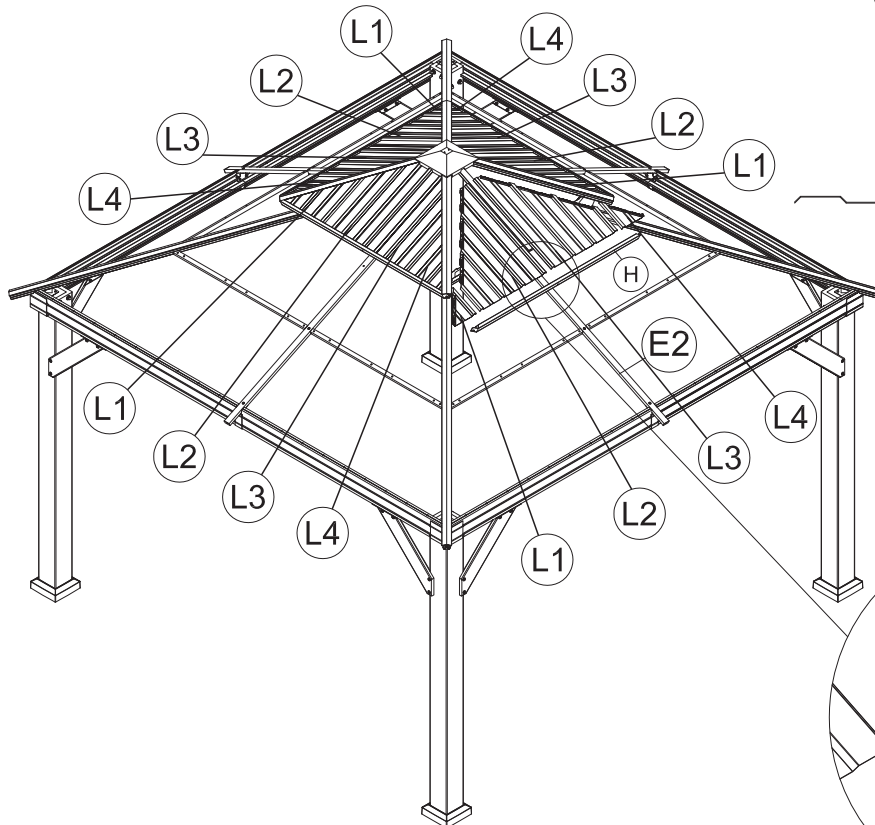
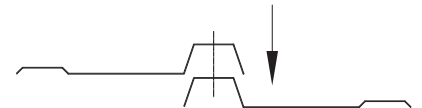
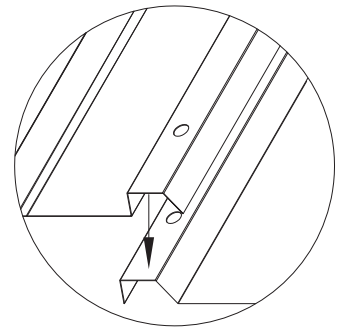
M6x16

**8** 4x



(1) Insert Part #L1 and Part #L2 into the frame.

(2) Insert Part #L3 and Part #L4 into the frame.



(3) Attach Part #H to Part #E2, securing with Bolt #8.

(4) Repeat the above procedures to assemble the other 3 sides.



X3 4x



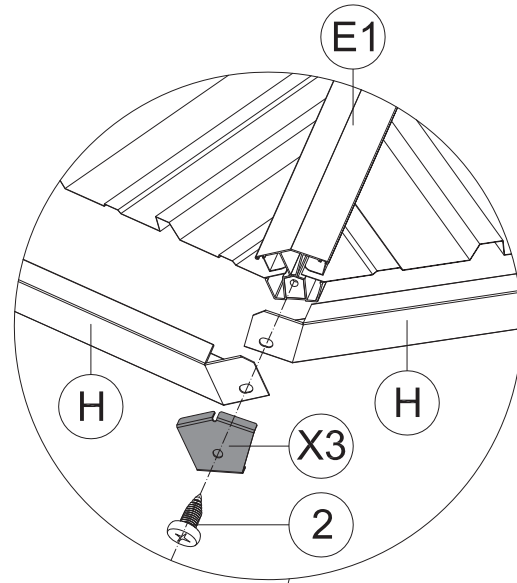
1 1x



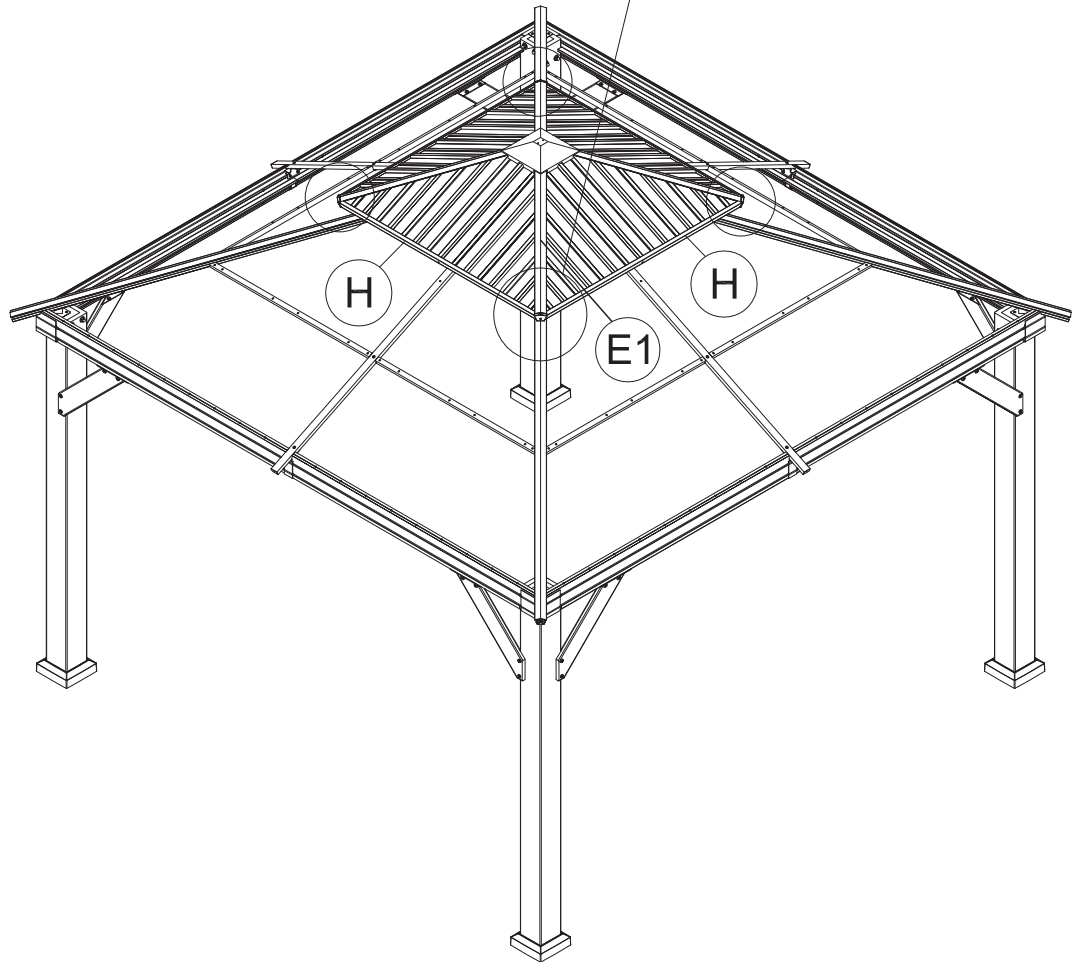
ST6.3x15

2 4x

(1) Place 2 Part #H on Part #E1;  
put on Part #X3 and secure with Self-tapping Screw #2.


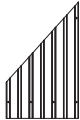
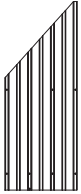
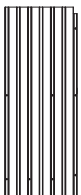
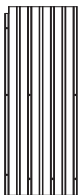
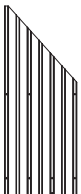
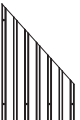




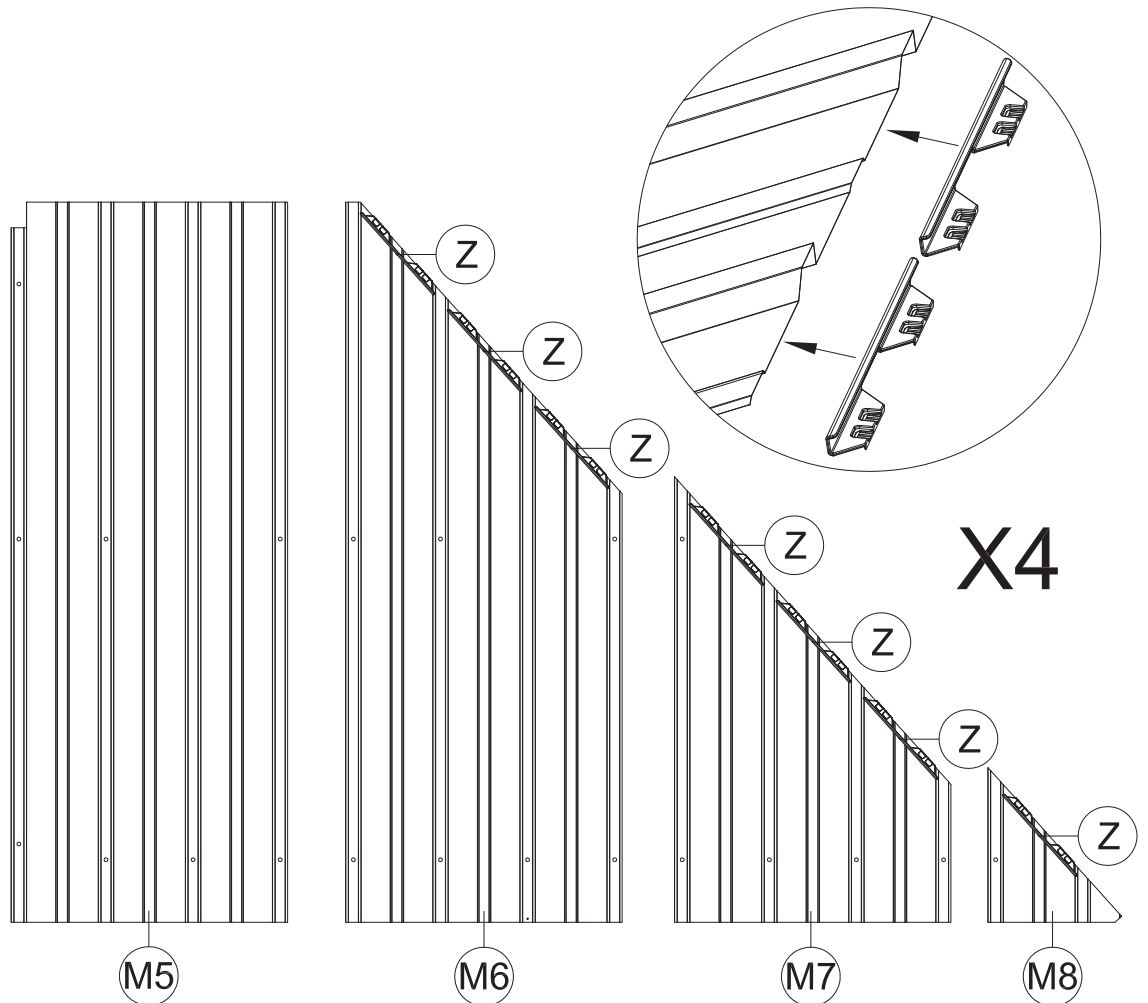
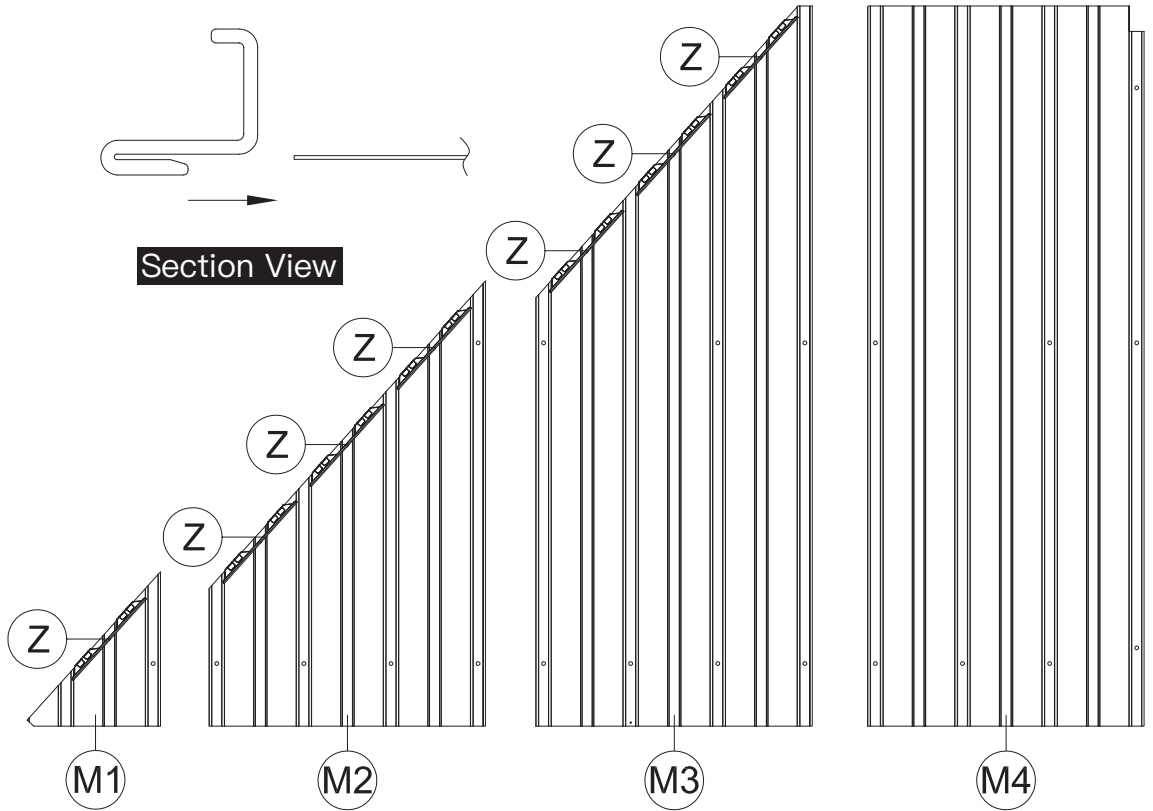
Outside View

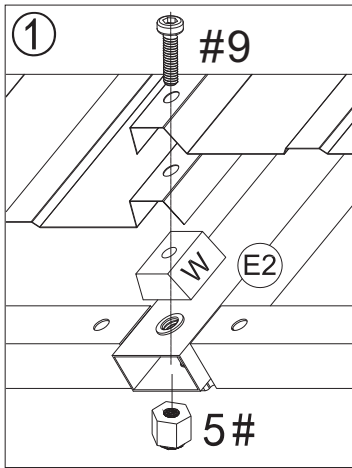


(2) Repeat the above procedures to assemble the other 3 corners.

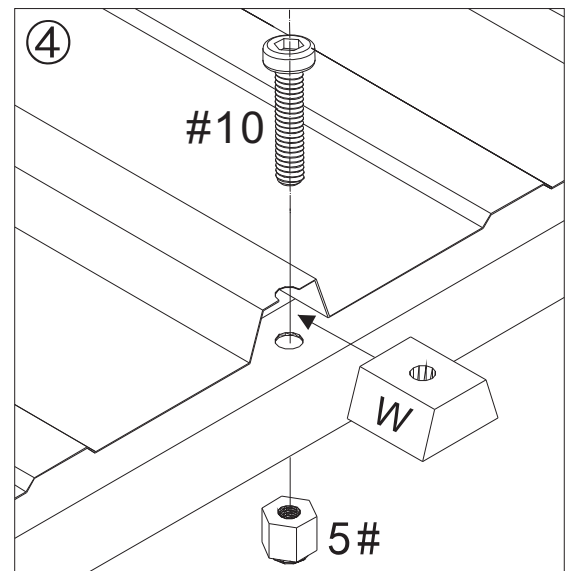
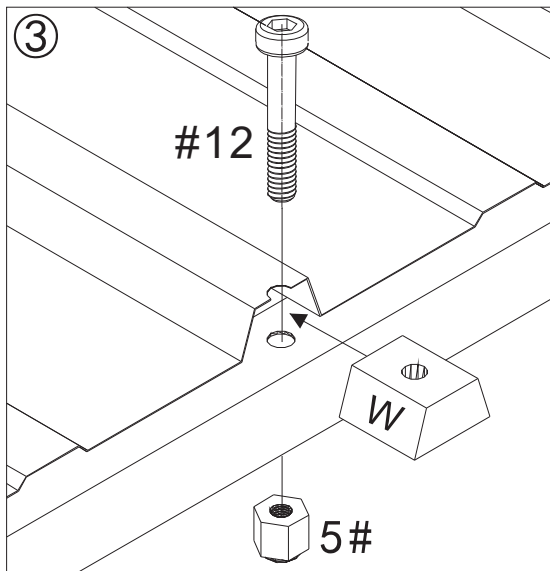
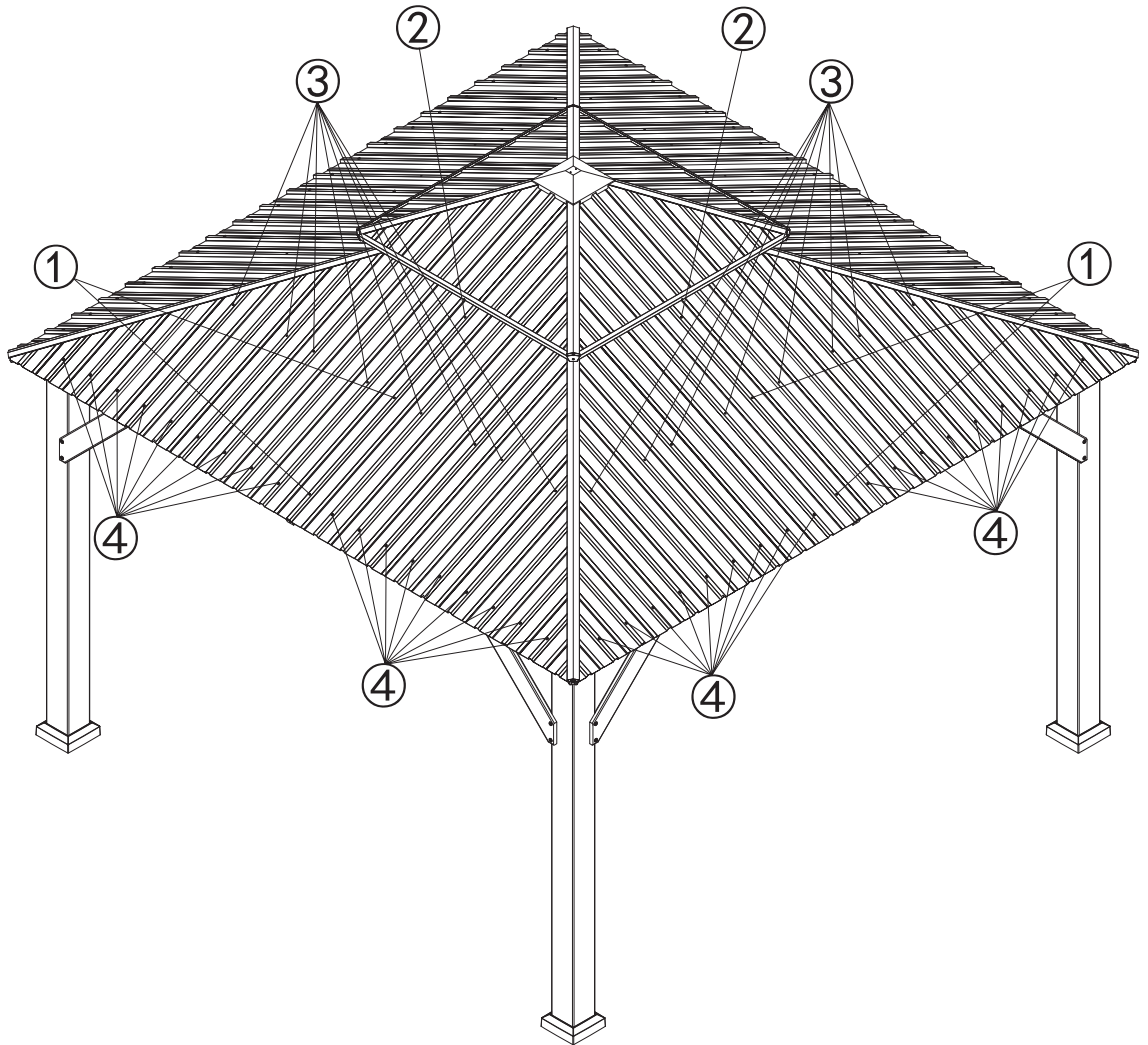
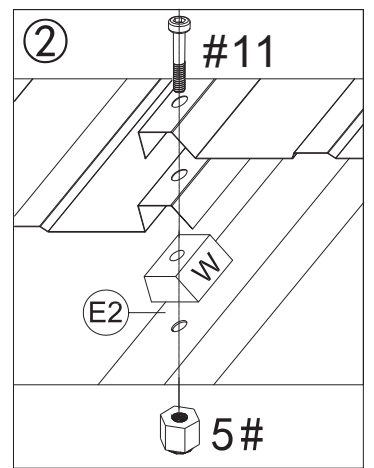
# Cover Part #Z to Roof Panels

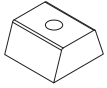
-  (M1) 4x
-  (M2) 4x
-  (M3) 4x
-  (M4) 4x
-  (M5) 4x
-  (M6) 4x
-  (M7) 4x
-  (M8) 4x
-  (Z) 56x





▲ Part #W should be inserted between roof panels and solidifying bar or beams, then secure with bolts and nuts.





W 12x



1 1x



M6

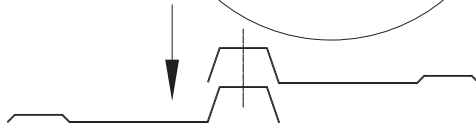
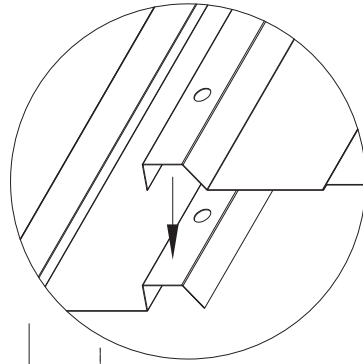
5 12x



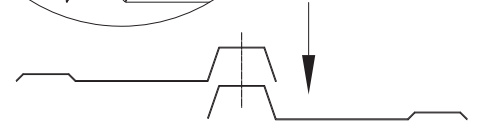
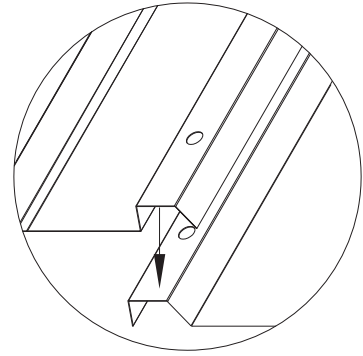
M6x28

10 12x

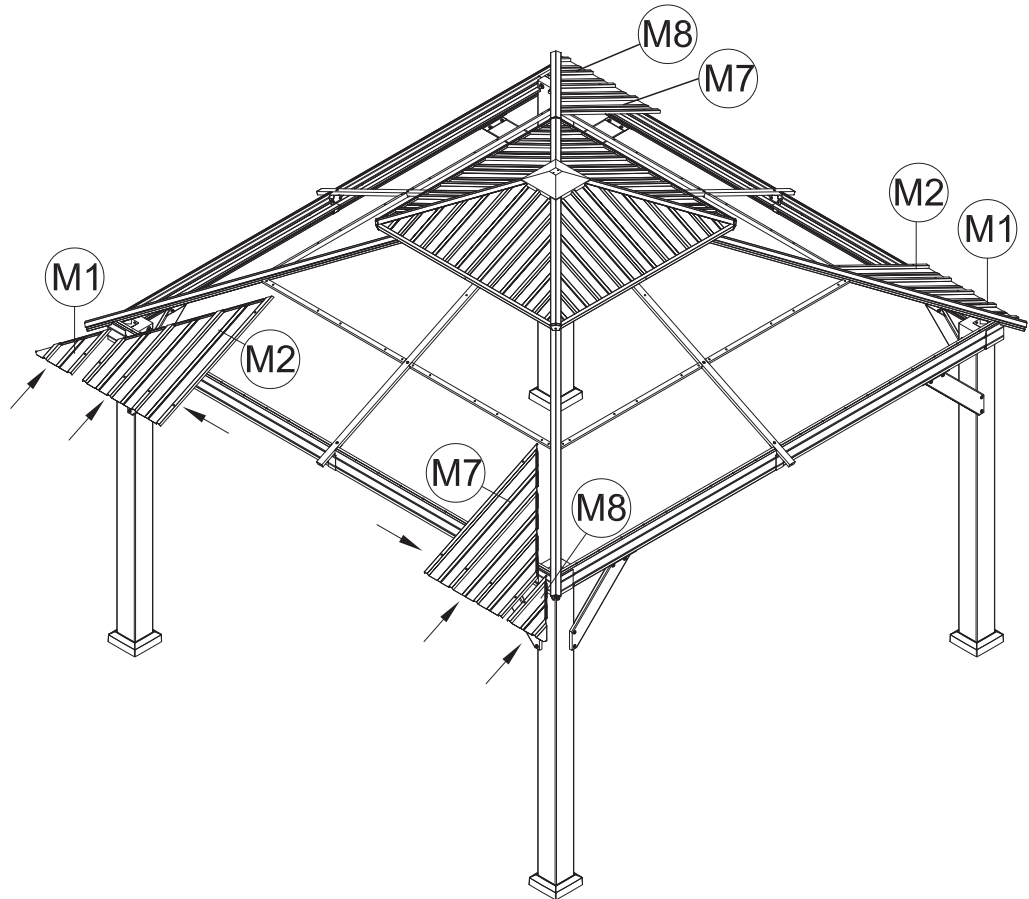
**ATTENTION:** The bigger roof panel need to cover the smaller one.



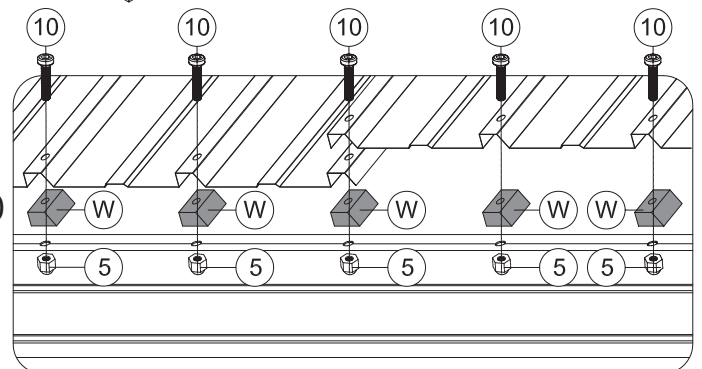
(1) Insert Part #M1 and Part #M2 into the frame.



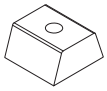
(2) Insert Part #M8 and Part #M7 into the frame.



(3) Place 6 Part #W between roof panels and beams. Then secure with 6 Bolts #10 and 6 Nuts #5.



(4) Repeat the above procedures to assemble the opposite side.



W 20x



1 1x



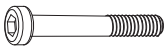
M6

5 20x



M6x28

10 12x

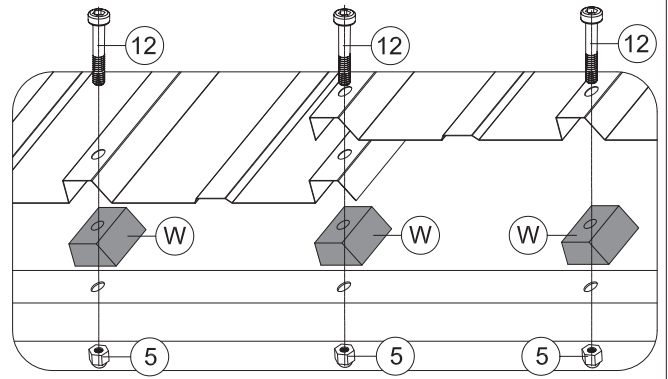
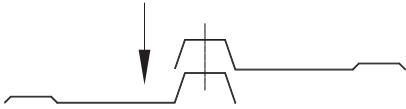


M6x50

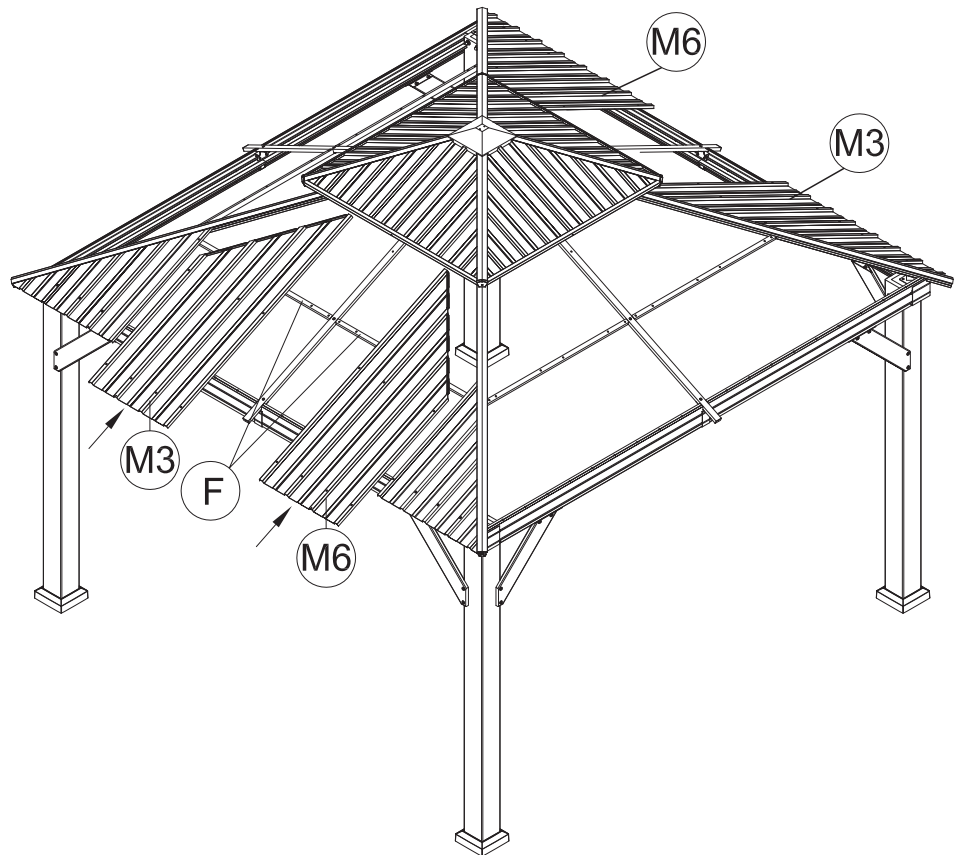
12 8x

**ATTENTION:** The bigger roof panel need to cover the smaller one.

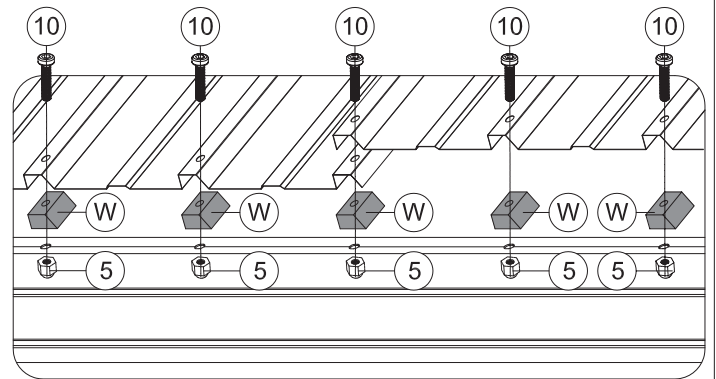
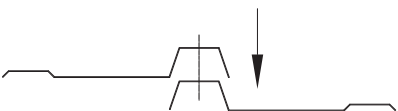
(1) Insert Part #M3 into the frame.



(3) Place 4 Part #W between roof panels and solidifying bars. Then secure with 4 Bolts #12 and 4 Nuts #5.

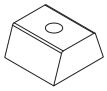


(2) Insert Part #M6 into the frame.



(4) Place 6 Part #W between roof panels and beams. Then secure with 6 Bolts #10 and 6 Nuts #5.

(5) Repeat the above procedures to assemble the opposite side.



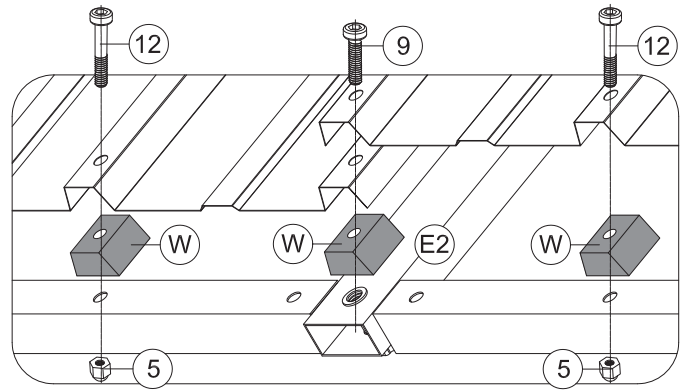
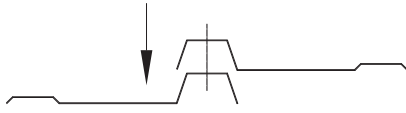
W 24x



1 1x

**ATTENTION:** The bigger roof panel need to cover the smaller one.

(1) Insert Part #M4 into the frame.



M6

5 20x

(3) Place 4 Part #W between roof panels and solidifying bars. Then secure with 4 Bolts #12 and 4 Nuts #5; Place 1 Part #W between roof panels and Part #E2. Then secure with 1 Bolt #9 and 1 Nut #5.



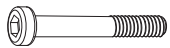
M6x25

9 4x



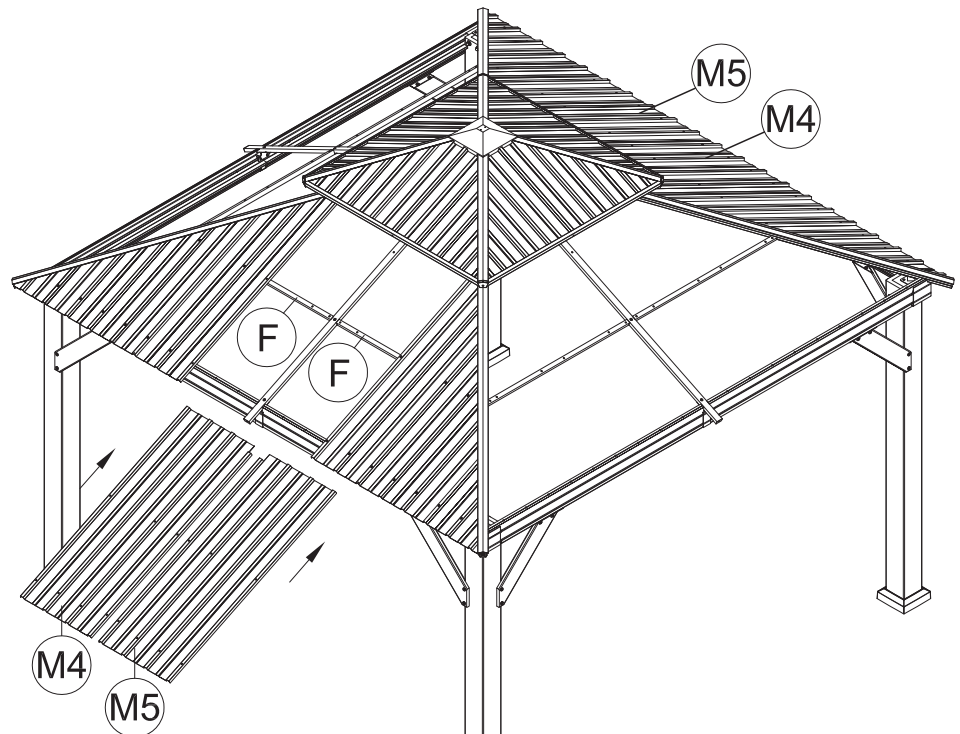
M6x28

10 12x

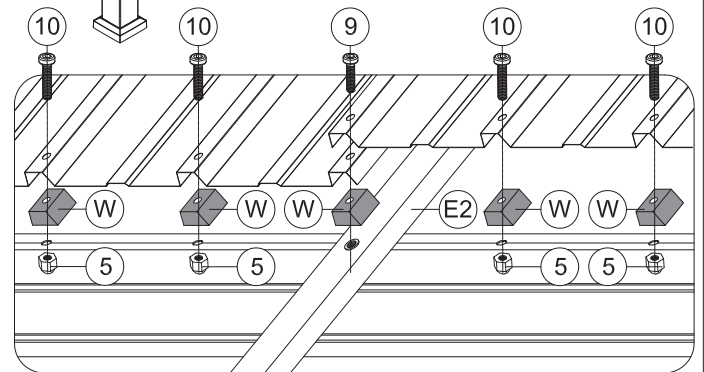


M6x50

12 8x

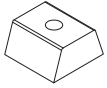


(2) Insert Part #M5 into the frame.



(4) Place 6 Part #W between roof panels and beams. Then secure with 6 Bolts #10 and 6 Nuts #5; Place 1 Part #W between roof panels and Part #E2. Then secure with 1 Bolt #9 and 1 Nut #5.

(5) Repeat the above procedures to assemble the opposite side.



W 12x



1 1x



M6

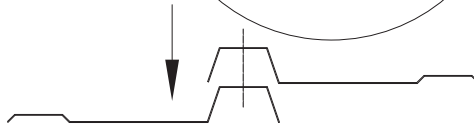
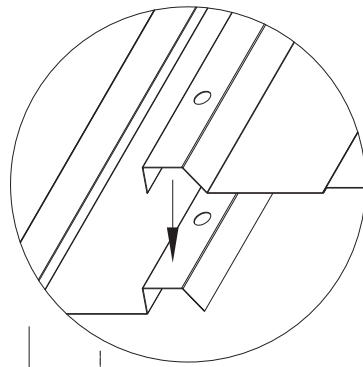
5 12x



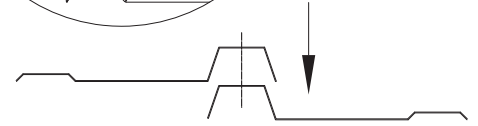
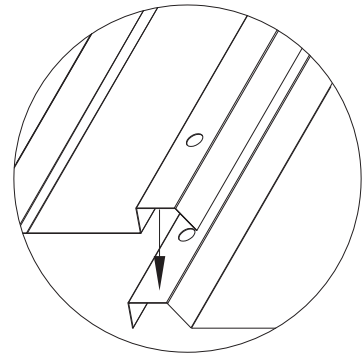
M6x28

10 12x

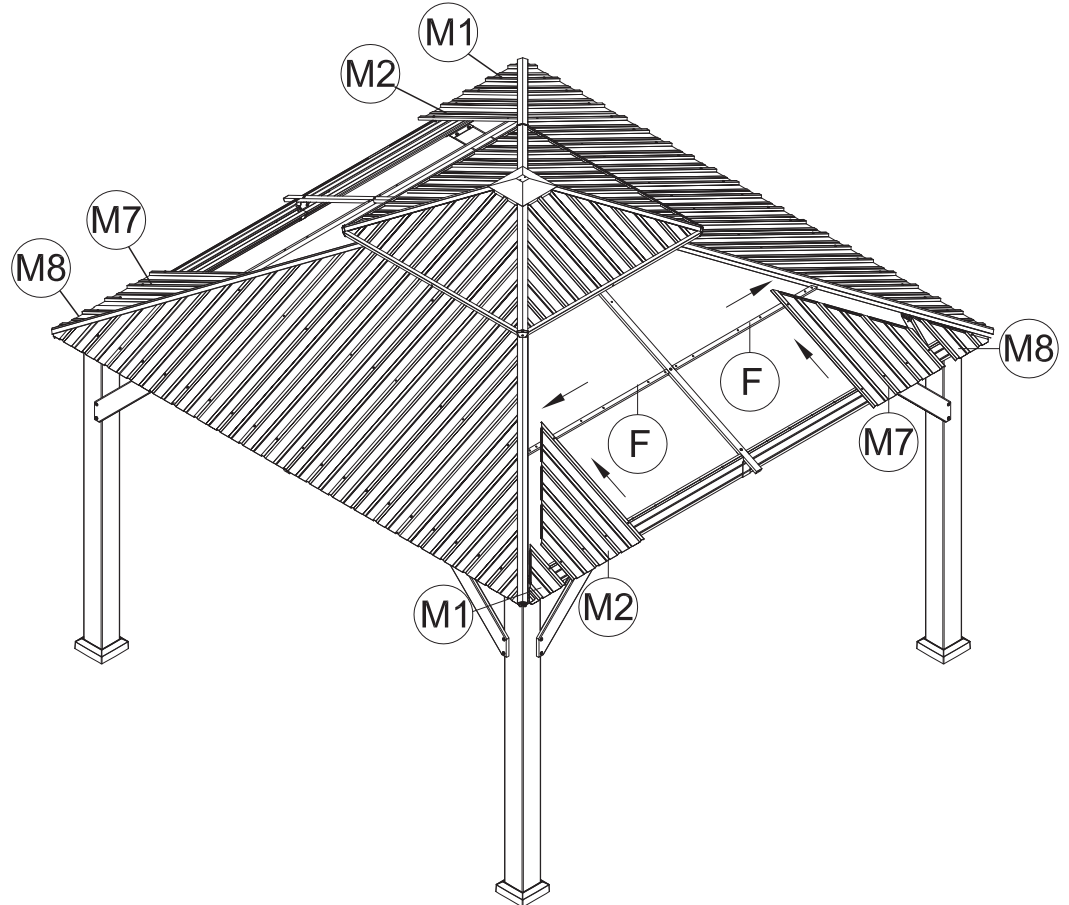
**ATTENTION:** The bigger roof panel need to cover the smaller one.



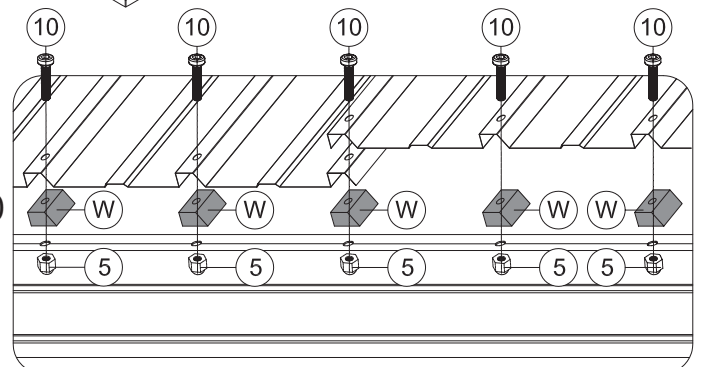
(1) Insert Part #M1 and Part #M2 into the frame.



(2) Insert Part #M8 and Part #M7 into the frame.

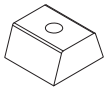


(3) Place 6 Part #W between roof panels and beams. Then secure with 6 Bolts #10 and 6 Nuts #5.

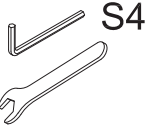


(4) Repeat the above procedures to assemble the opposite side.





(W) 20x



(1) 1x



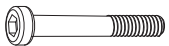
M6

(5) 20x



M6x28

(10) 12x

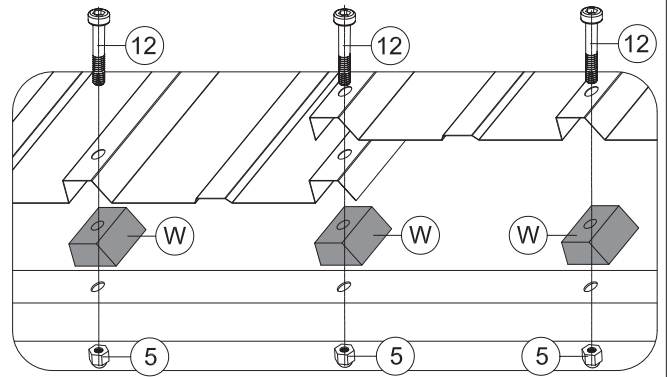


M6x50

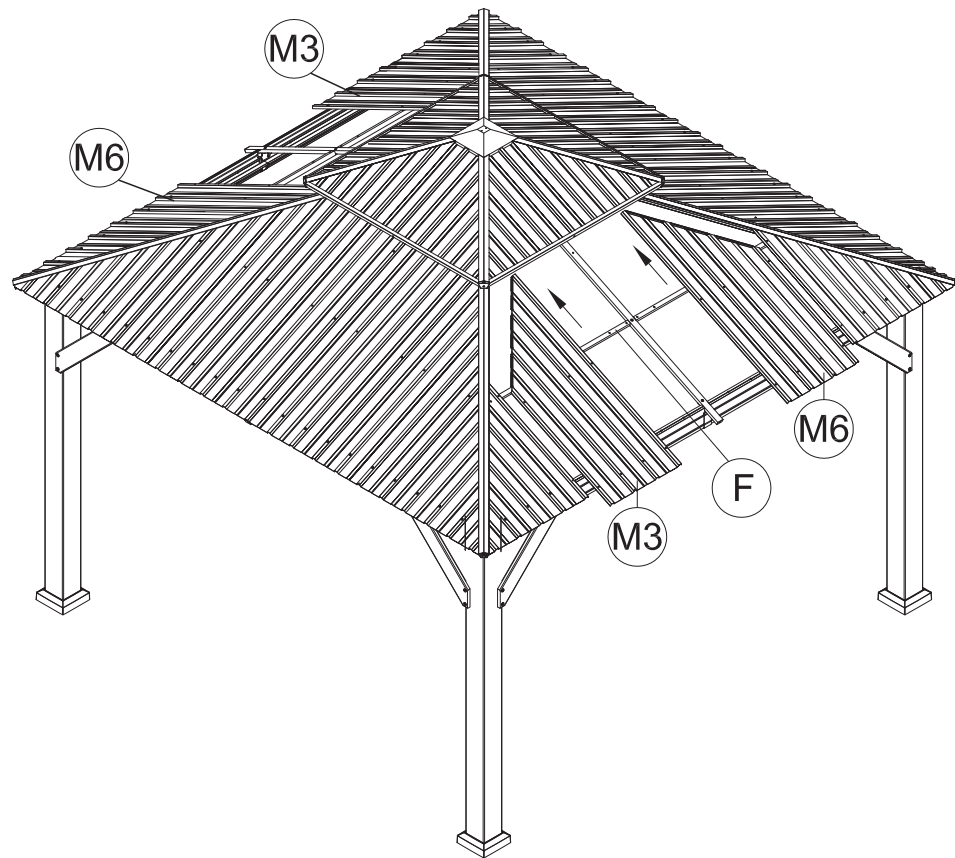
(12) 8x

**ATTENTION: The bigger roof panel need to cover the smaller one.**

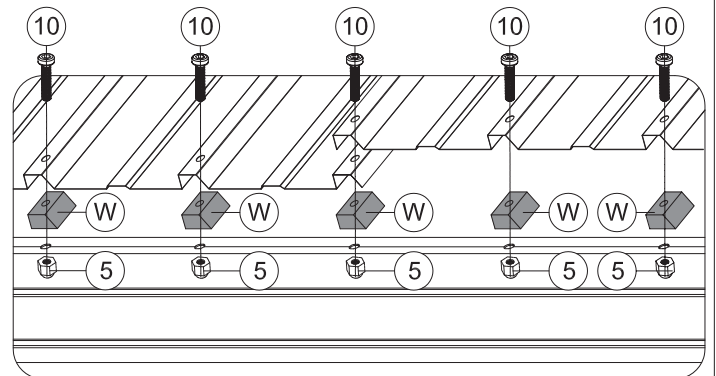
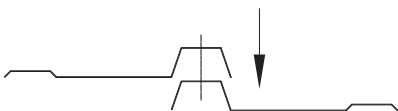
(1) Insert Part #M3 into the frame.



(3) Place 4 Part #W between roof panels and solidifying bars. Then secure with 4 Bolts #12 and 4 Nuts #5.

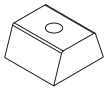


(2) Insert Part #M6 into the frame.



(4) Place 6 Part #W between roof panels and beams. Then secure with 6 Bolts #10 and 6 Nuts #5.

(5) Repeat the above procedures to assemble the opposite side.



W 24x

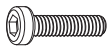


1 1x



M6

5 20x



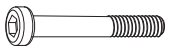
M6x25

9 4x



M6x28

10 12x

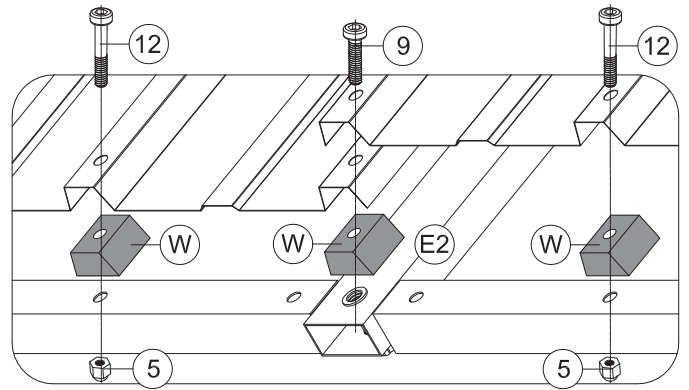


M6x50

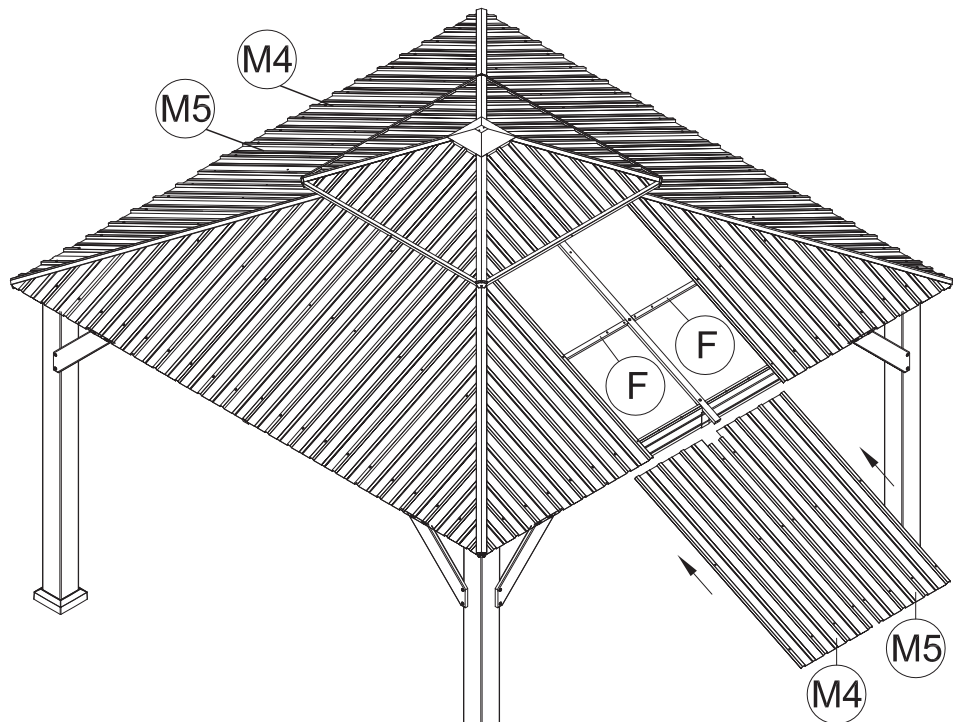
12 8x

**ATTENTION:** The bigger roof panel need to cover the smaller one.

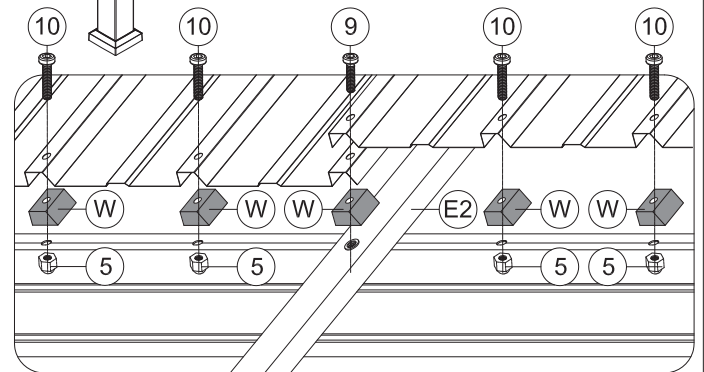
(1) Insert Part #M4 into the frame.



(3) Place 4 Part #W between roof panels and solidifying bars. Then secure with 4 Bolts #12 and 4 Nuts #5; Place 1 Part #W between roof panels and Part #E2. Then secure with 1 Bolt #9 and 1 Nut #5.

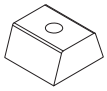


(2) Insert Part #M5 into the frame.

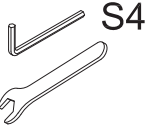


(4) Place 6 Part #W between roof panels and beams. Then secure with 6 Bolts #10 and 6 Nuts #5; Place 1 Part #W between roof panels and Part #E2. Then secure with 1 Bolt #9 and 1 Nut #5.

(5) Repeat the above procedures to assemble the opposite side.



W 4x

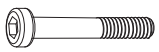


1 1x



M6

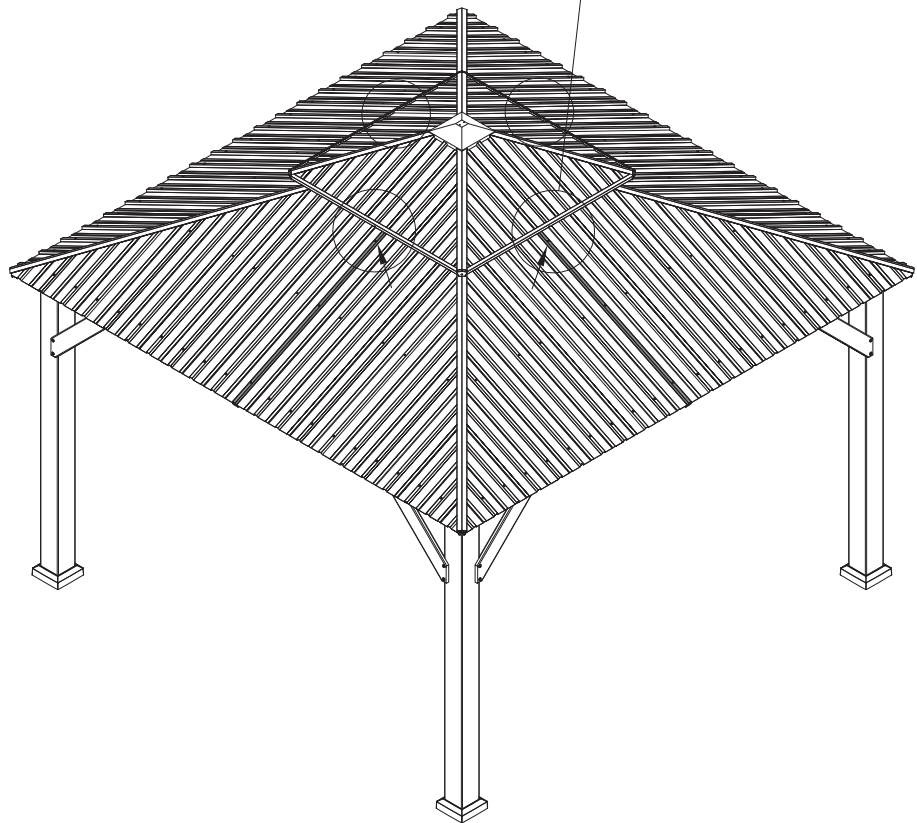
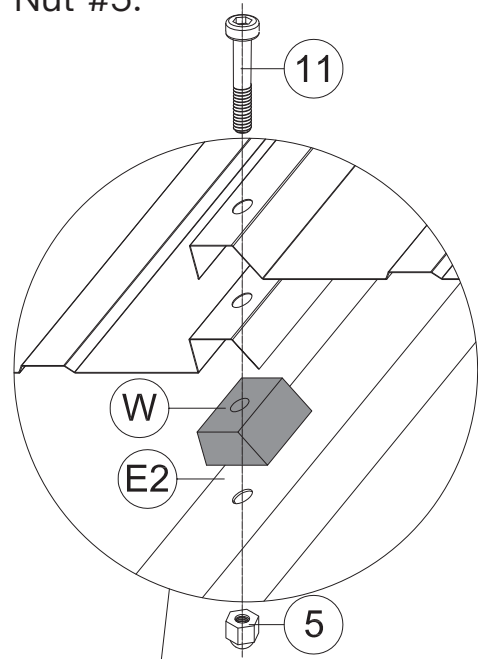
5 4x



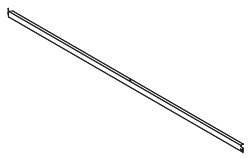
M6x45

11 4x

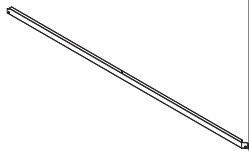
(1) Place Part #W between roof panels and Part #E2.  
Then secure with Bolt #11 and Nut #5.



(2) Repeat the above procedures to assemble the other 3 sides.



(K) 4x



(K1) 4x



(X2) 4x



S4

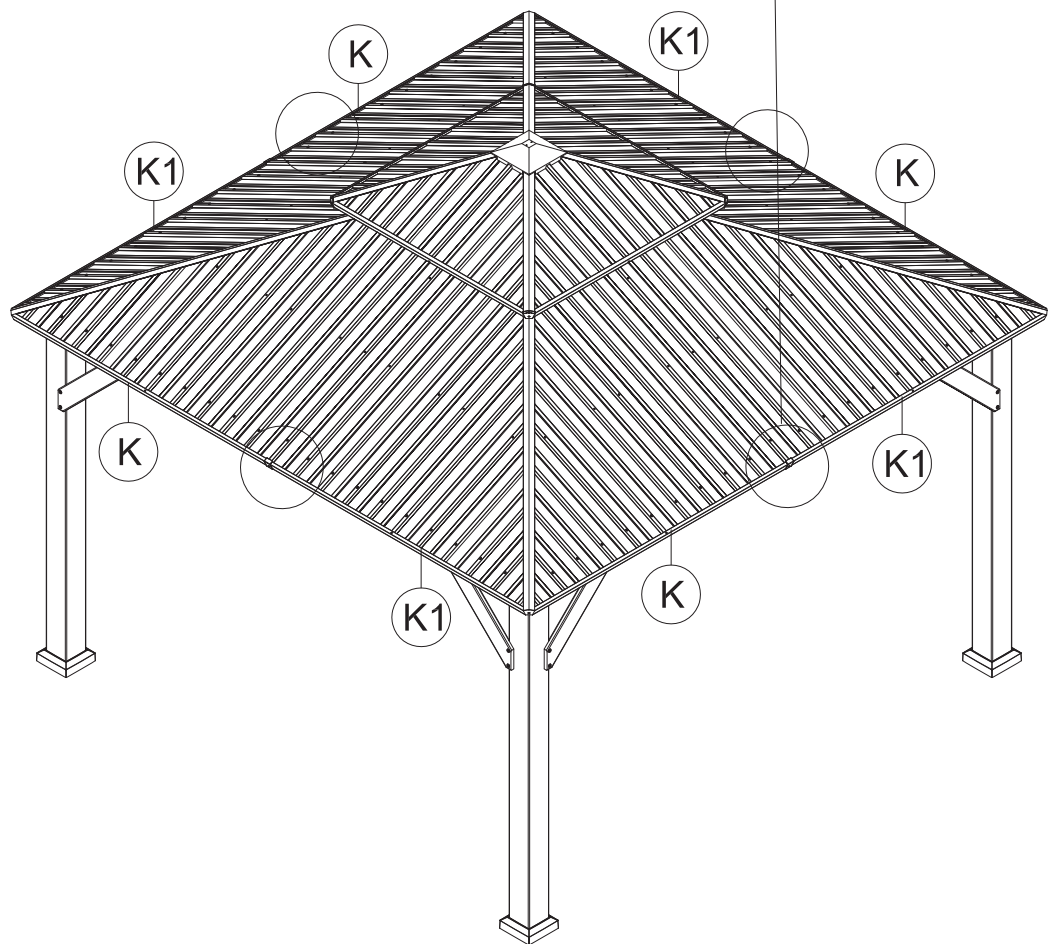
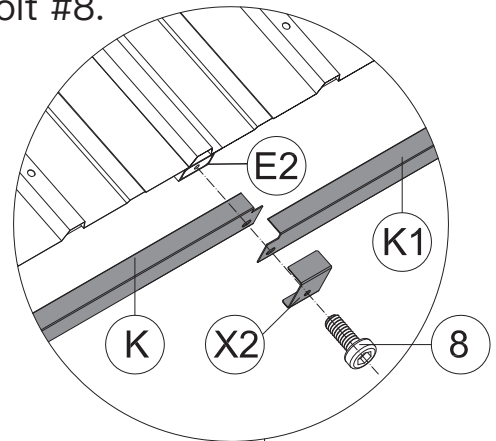
(1) 1x



M6x16

(8) 4x

(1) Place Part #K and Part #K1 on Part #E2;  
Put on Part #X2 and secure with Bolt #8.



(2) Repeat the above procedures to assemble the other 3 sides.

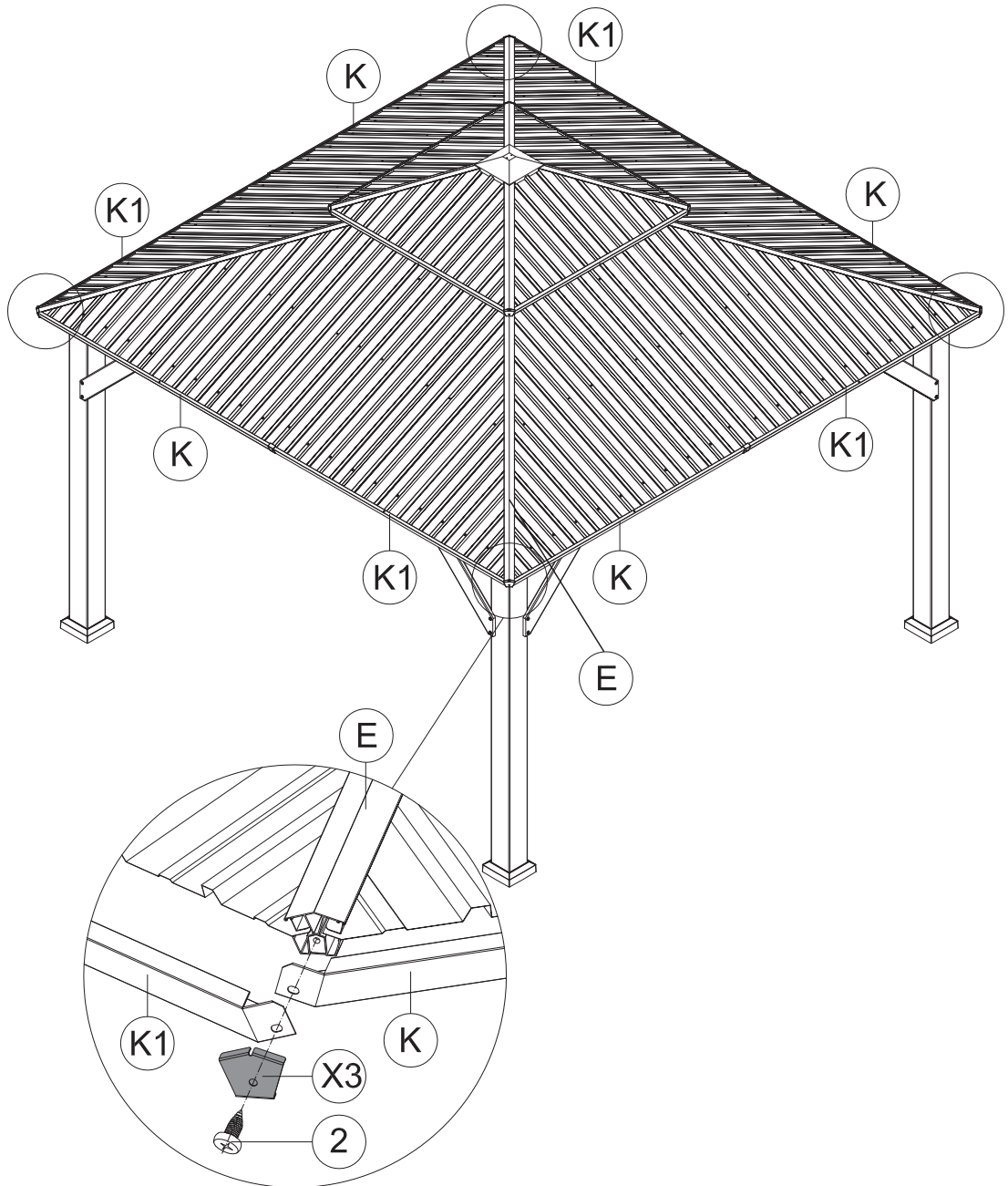


X3 4x



ST6.3x15

2 4x



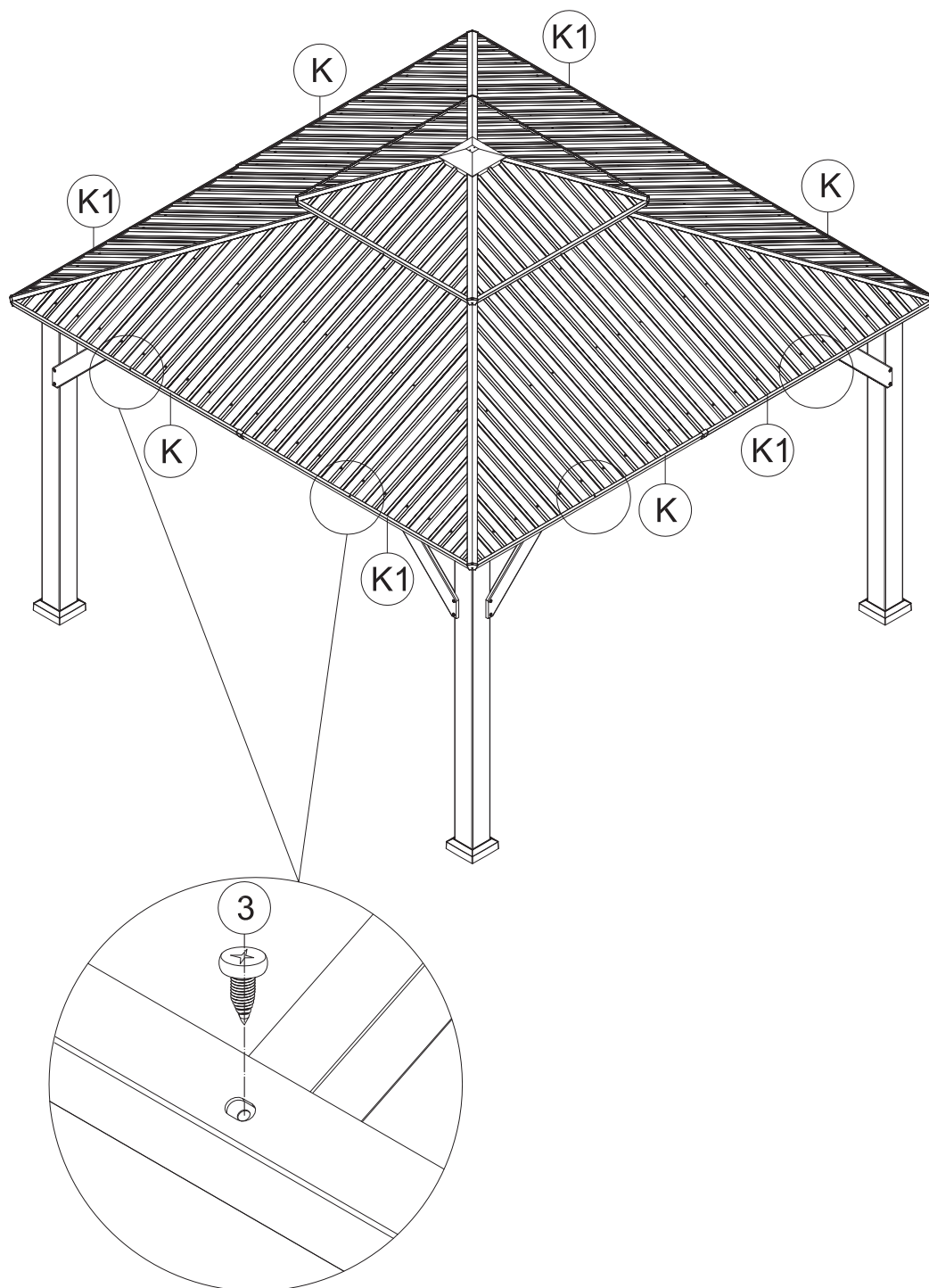
(1) Place Part #K1 and Part #K on Part #E;  
Put on Part #X3 and secure with Self-tapping Screw #2.

(2) Repeat the above procedures to assemble the other 3 corners.



ST5x16

3 8x

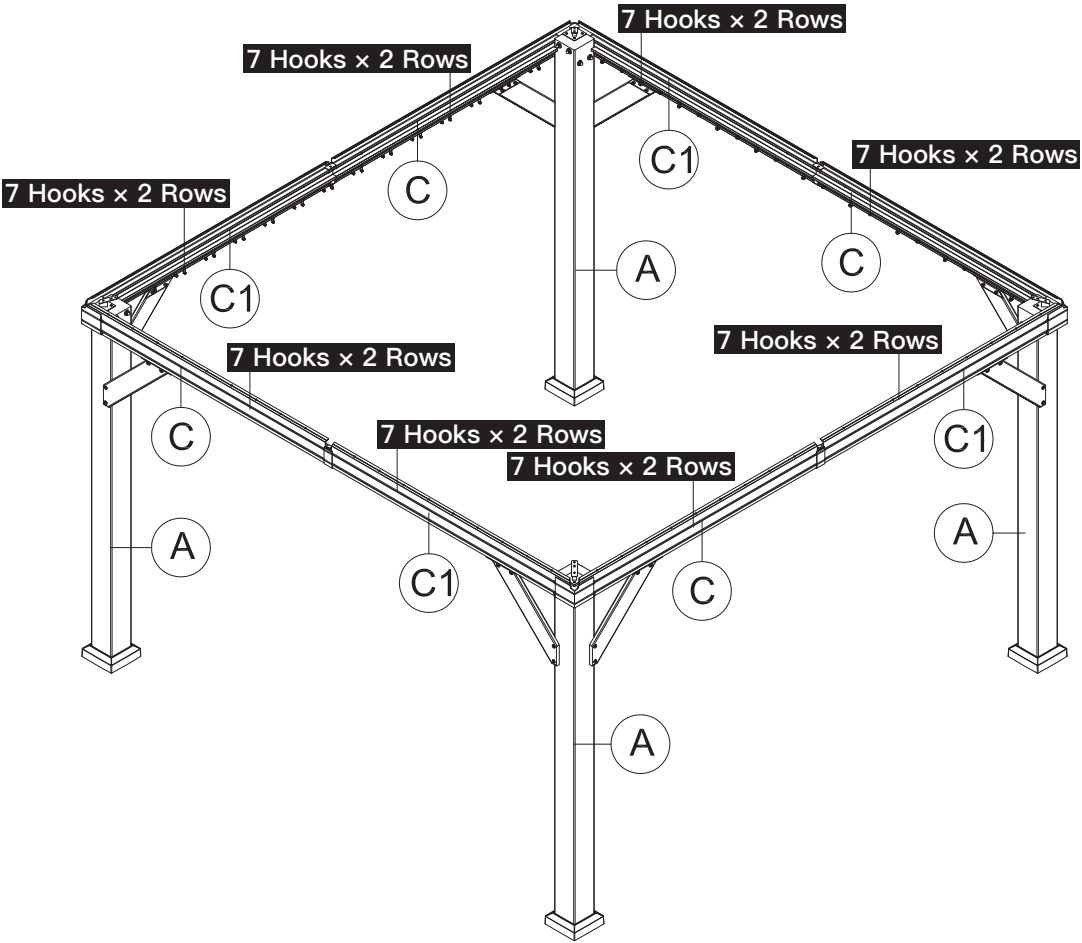
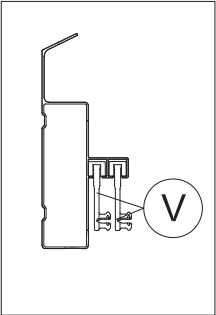


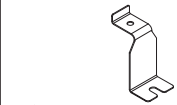
(1) Attach roof panels to finishing bars with 2 Self-tapping Screws #3.

(2) Repeat the above procedures to assemble the other 3 sides.

# How to Put the 112 Hooks into the **Double-track**

## Double-track





T1 4x



V 112x



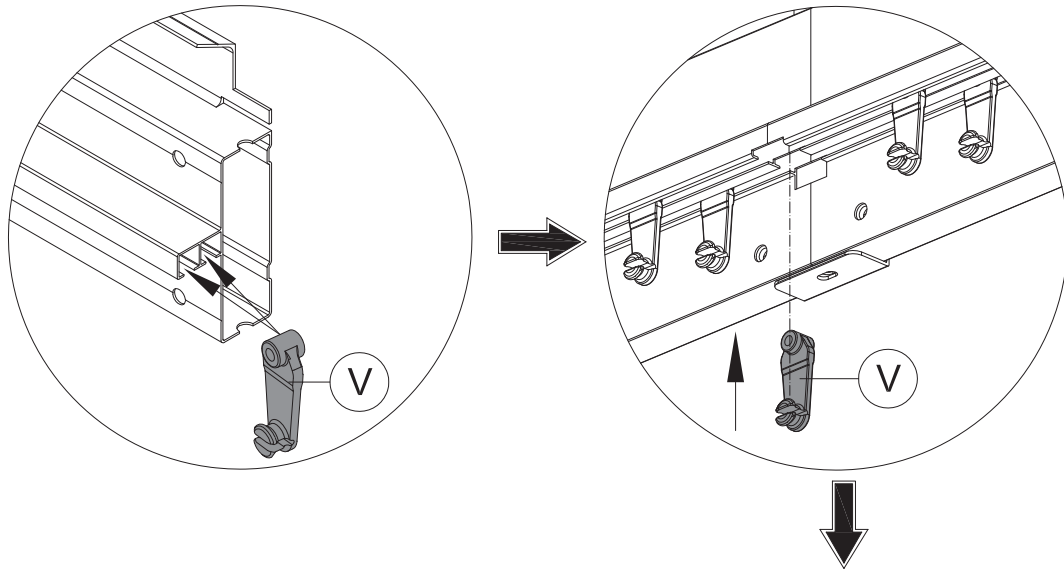
1 1x



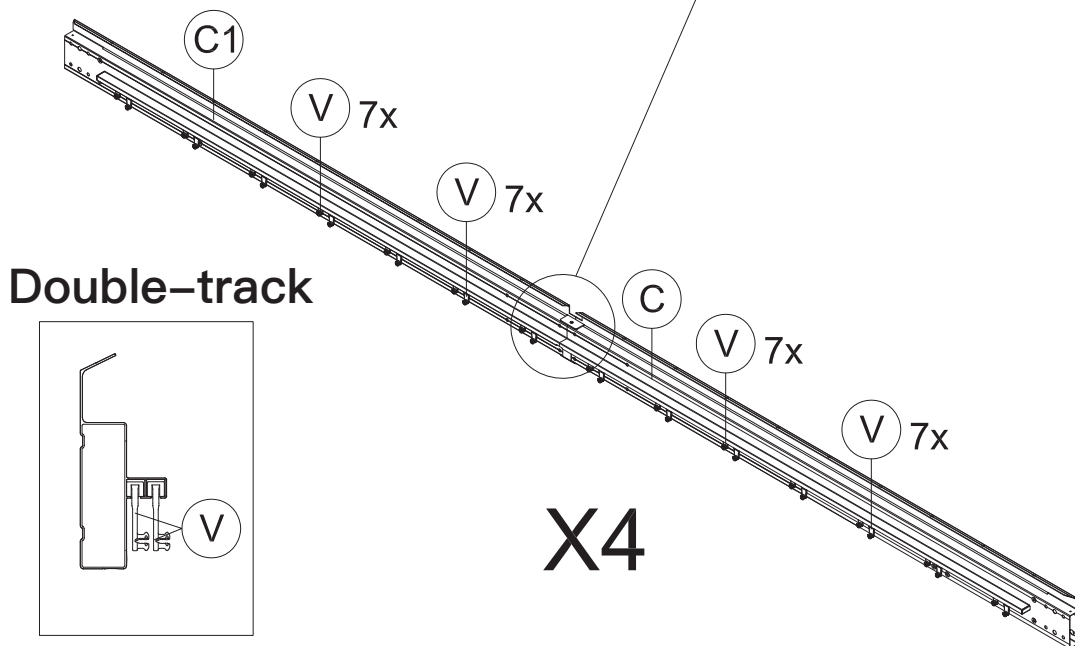
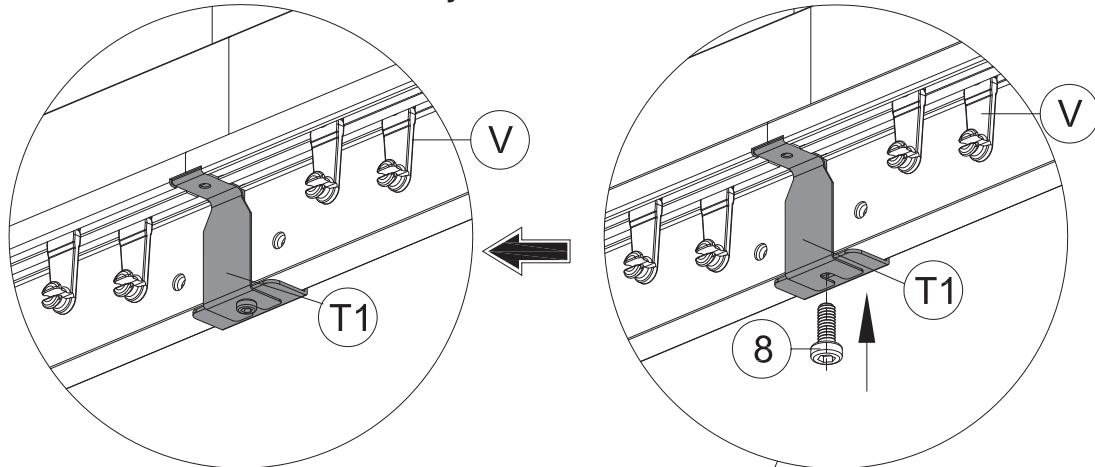
M6x16

8 4x

(1) Place 7 hooks on each slot of the Sidewall Track(C1&C).

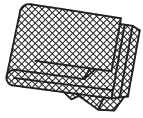


(2) Install Part #T1 at the joint of Part C&C1 with Bolt #8.



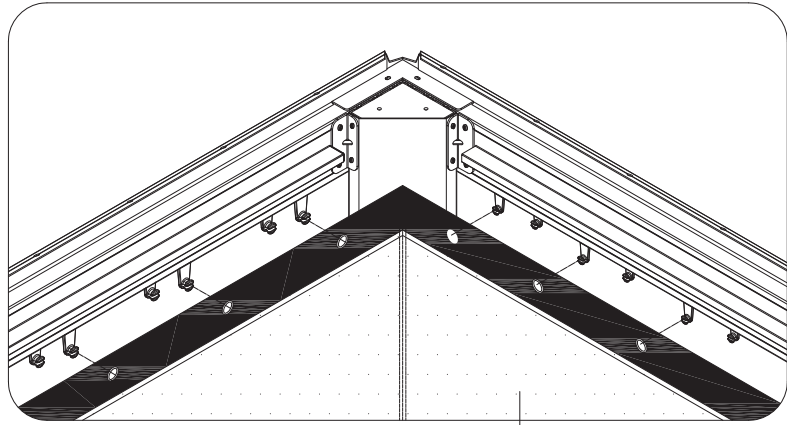
(3) Repeat the above procedures to assemble 4 sides.



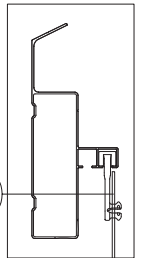


Y1 4x

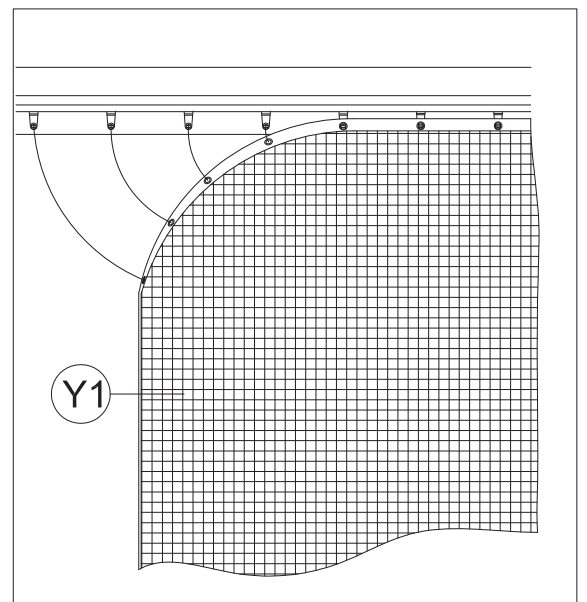
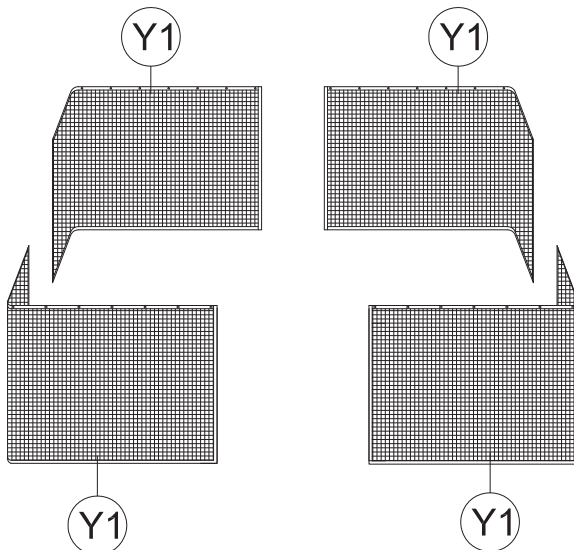
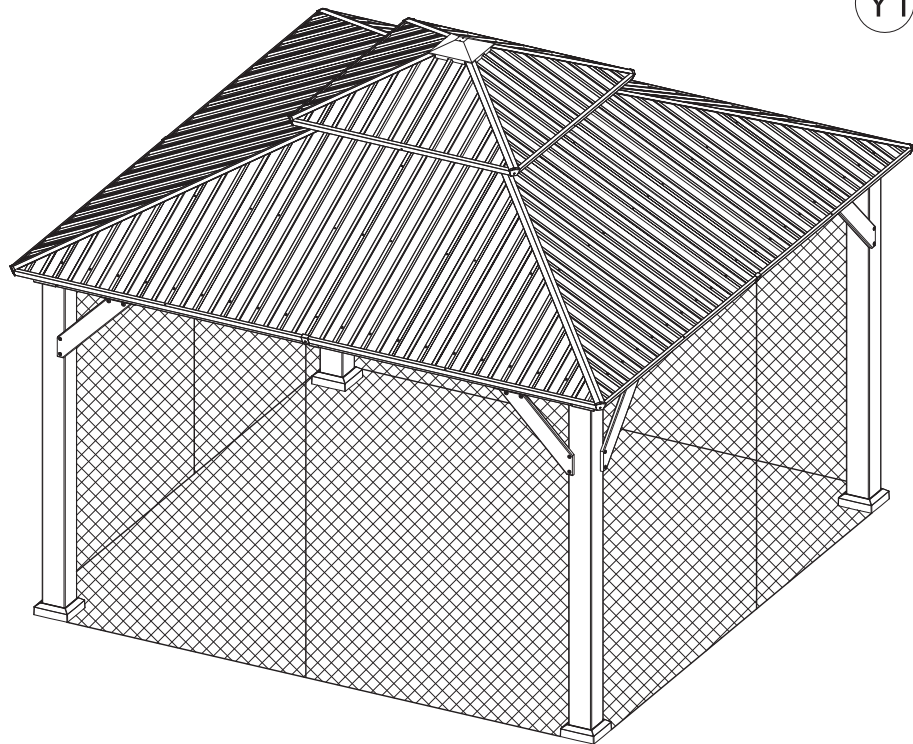
# Hang up Mosquito Sidewalls to **Inside Track**



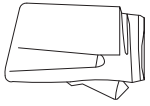
Y1



Y1



Y1



Y 4x

# Hang up Solid Sidewalls to **Outside Track**

