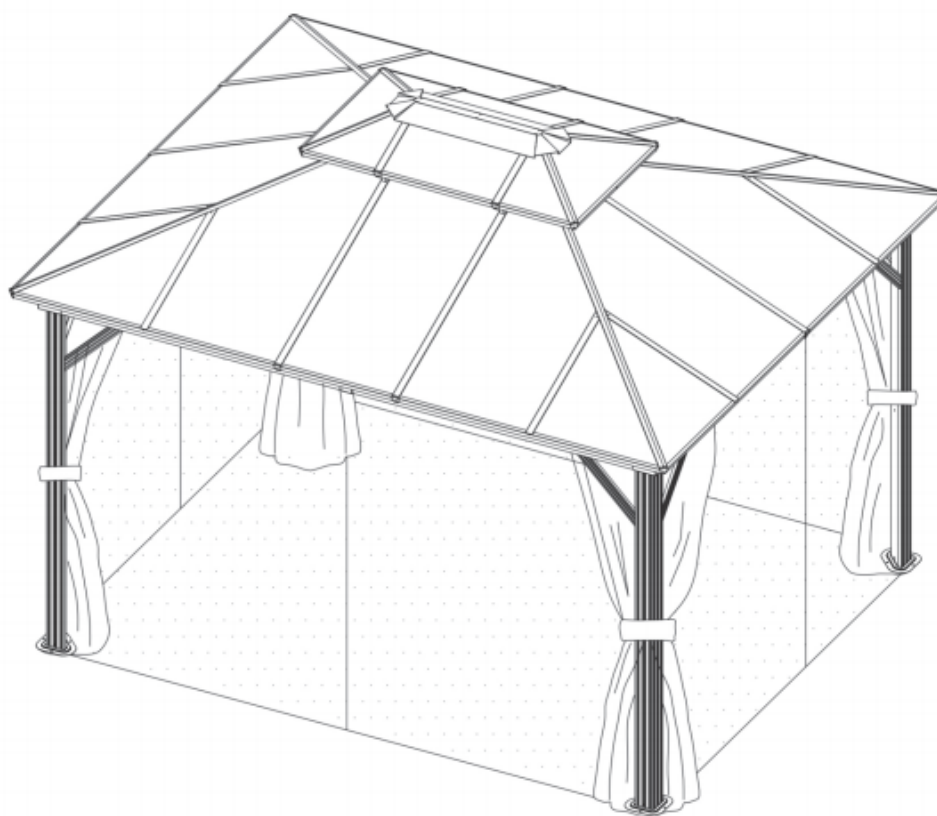


10'×12' HARDTOP ALUMINUM  
POLYCARBONATE GAZEBO

**ASSEMBLY MANUAL**



MODEL#: LGFP1584

# Pre-assembly



1. Two or more people are required for assembly.



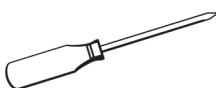
2. You will need one or more stepladders.



3. Wearing protective gloves is recommended.



4. You may need a safety hat.



5. Please use a Phillips screw driver.



6. For ease of construction, you may need a drill.



7. You may need a safety goggle.



8. Do not fully tighten screws prior to complete assembly.

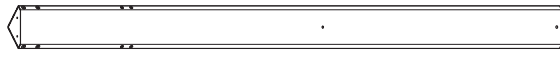
## Warning & Attention

-Try to assemble this product on the flat ground, otherwise it is difficult to carry out;

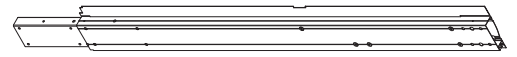
-It would be much easier to assemble the product with three or more people;

-After assembly, please check whether all screws are tightened, to prevent parts from falling apart.

▲ Use bolts to secure the frame to the ground to against the strong wind.



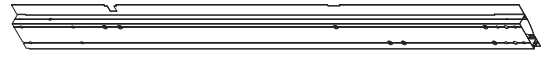
A 4x Pole



C 2x Beam



C1 2x Beam



D 2x Beam



D1 2x Beam



E 4x Corner Roof Bar



E1 4x Corner Roof Bar Connector



E2 2x Roof Bar



E3 4x Roof Bar



F 4x Corner Roof Solidifying Bar



F1 4x Corner Roof Solidifying Bar



G 4x Finishing Bar



G1 4x Finishing Bar



G2 4x Finishing Bar

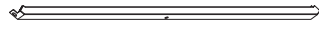


H 2x Finishing Bar



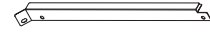
H1 2x Finishing Bar

F



H2 2x Finishing Bar

F



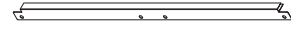
J 4x Finishing Bar

F



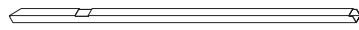
J1 4x Finishing Bar

F



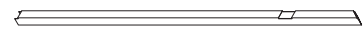
J2 2x Finishing Bar

□



K 4x Solidfying Bar

□

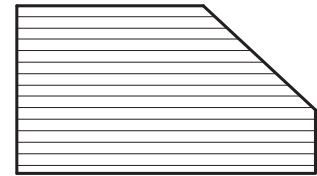


K1 4x Solidfying Bar

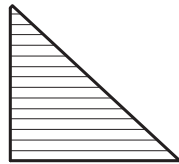
□



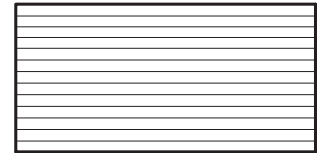
K2 2x Solidfying Bar



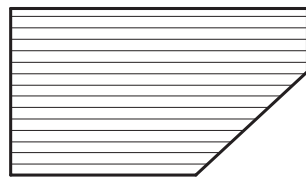
L 4x Roof Panel



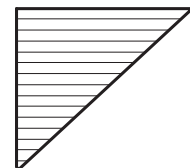
L1 4x Roof Panel



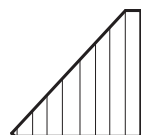
M 2x Roof Panel



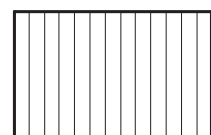
N 4x Roof Panel



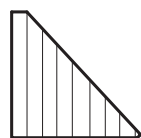
N1 4x Roof Panel



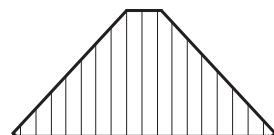
P 2x Roof Panel



P1 2x Roof Panel



P2 2x Roof Panel




P3 2x Roof Panel




**Q** 4x Finishing Bar




**Q1** 2x Finishing Bar



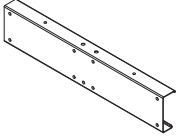
**B** 4x Base



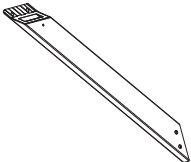
**B1** 8x Joint Cover



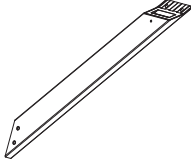
**B2** 8x Joint Cover



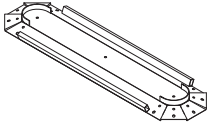
**C2** 2x Union Bar



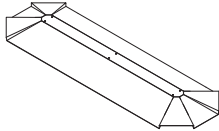
**R** 4x Corner Solidifying Bar




**R1** 4x Corner Solidifying Bar



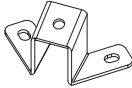
**S** 1x Inside Roof Connector



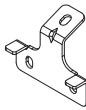
**S1** 1x Outside Roof Connector



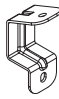
**T** 3x J-Hook



**U** 4x Bracket




**U1** 6x Bracket



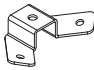
**U2** 8x Bracket



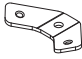
**V** 104x Hook



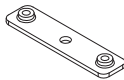
**W** 4x Bracket




**W1** 4x Bracket



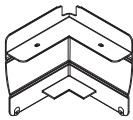
**W2** 4x Bracket



**W3** 6x Joint Cover



**X** 4x Joint Cover



**X1** 4x Corner Cover



**X2** 8x Spacer



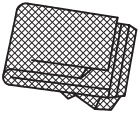
**Y** 16x Finishing End



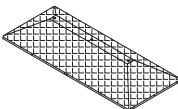
**Y1** 12x Finishing End




**Z** 4x Solid Sidewall




**Z1** 4x Mosquito Sidewall




**Z2** 1x Mesh



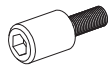
S6  
S4  
**1** 1x



ST4.2x12  
**2** 8x



ST5x16  
**3** 16x



M6x15

4 16x



M6x15

5 16x



M5x12

6 40x



M6x12

7 12x



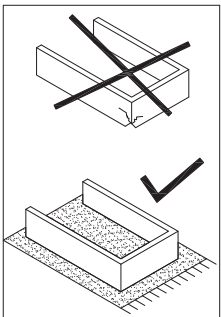
M6x16

8 234x

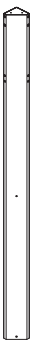

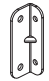
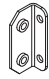

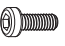




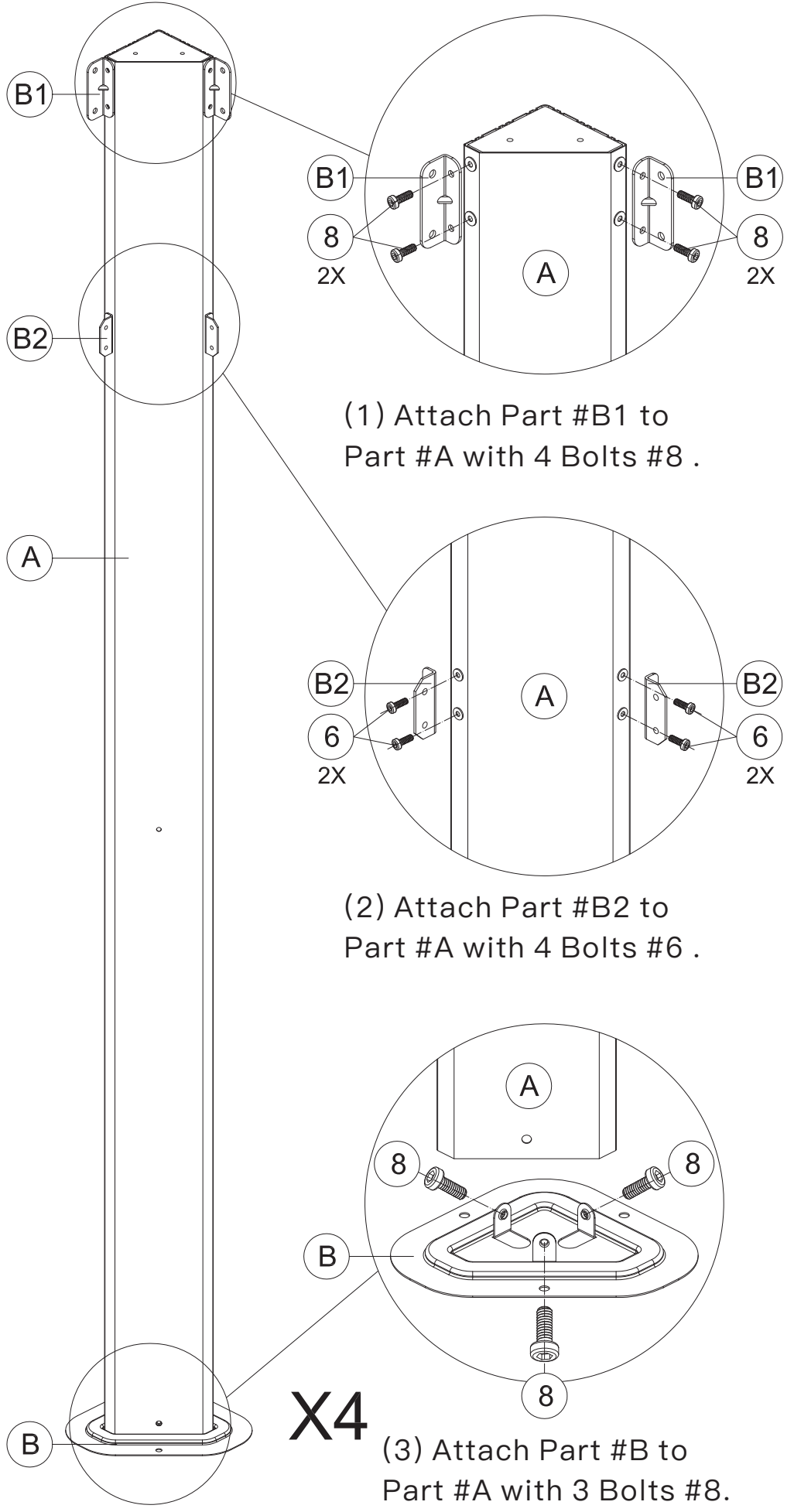
M5x32

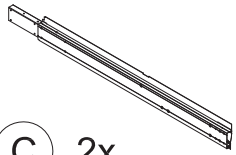
9 8x



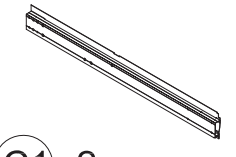
4

	<b>A</b> 4x
	<b>B</b> 4x
	<b>B1</b> 8x
	<b>B2</b> 8x
	<b>S4</b>
	<b>1</b> 1x
	<b>6</b> 16x M5x12
	<b>8</b> 28x M6x16
<b>5</b>	

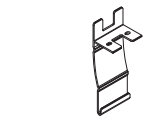




C 2x



C1 2x



X 2x



S4

1 1x



ST5x16

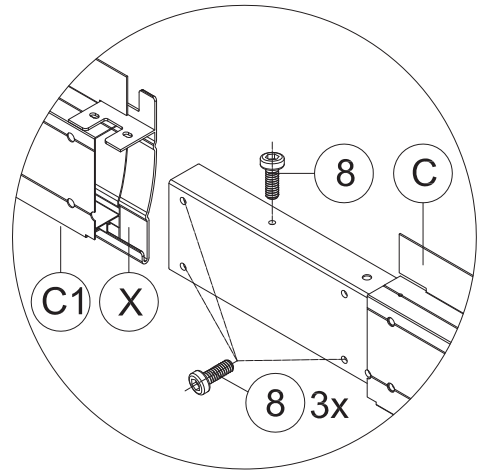
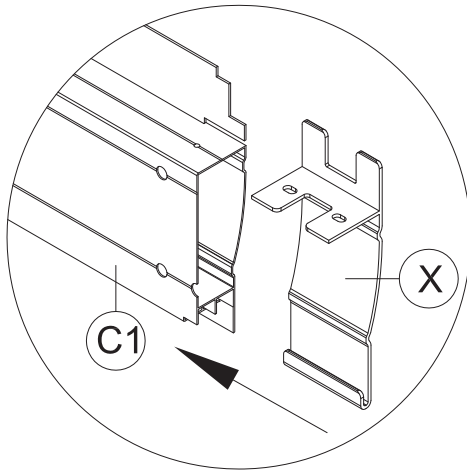
3 4x



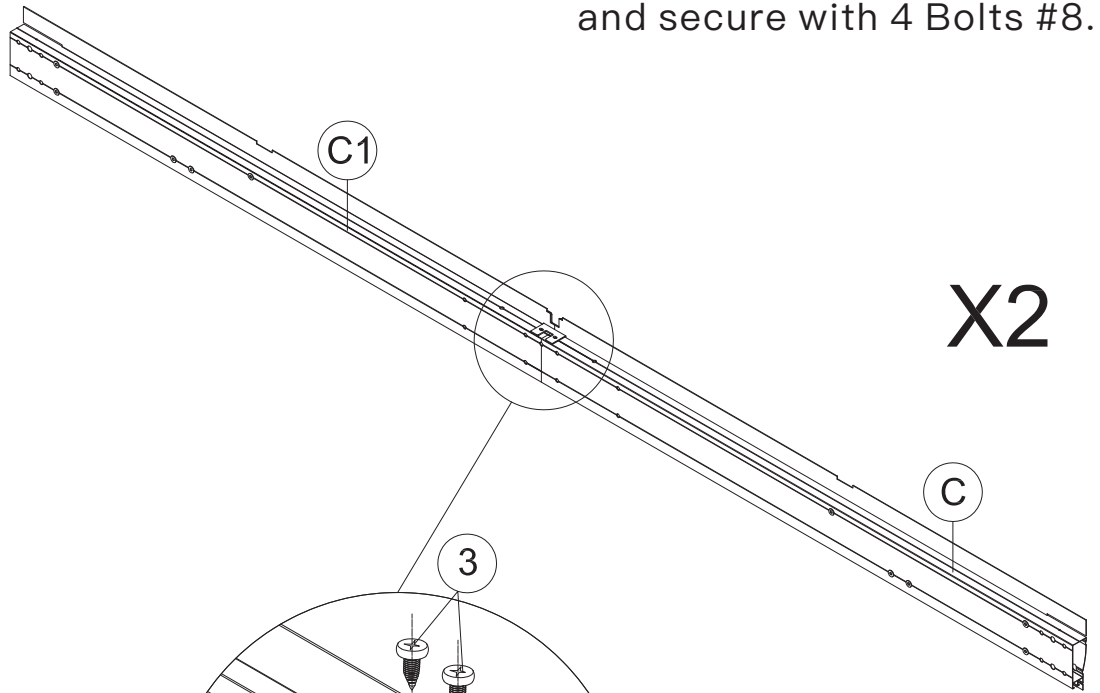
M6x16

8 8x

(1) Insert Part #X into Part #C1.



(2) Insert Part #C into Part #C1 and secure with 4 Bolts #8.



X2

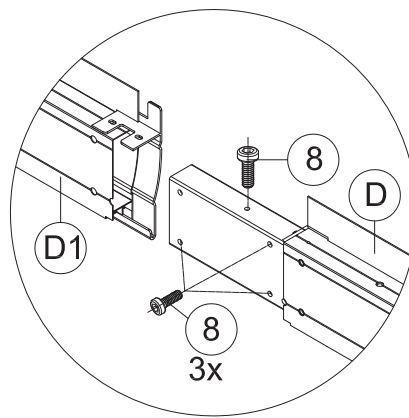
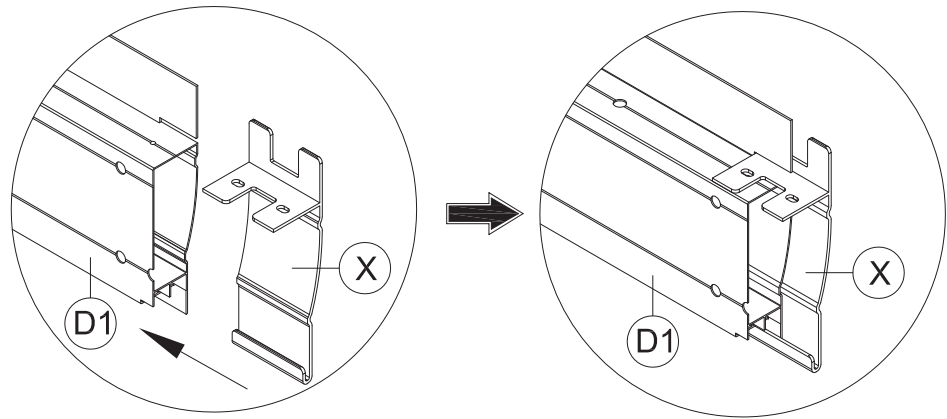
(3) Secure Part #X with 2 Bolts #3.

(4) Repeat the above procedures to assemble the other Part #C and Part #C1.

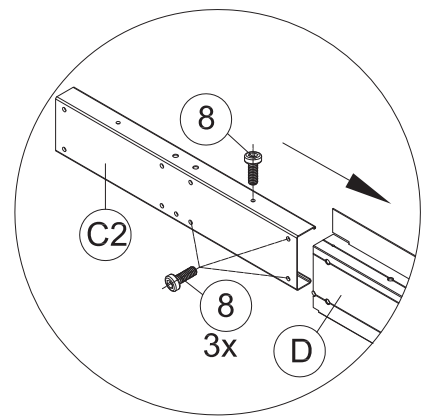
6



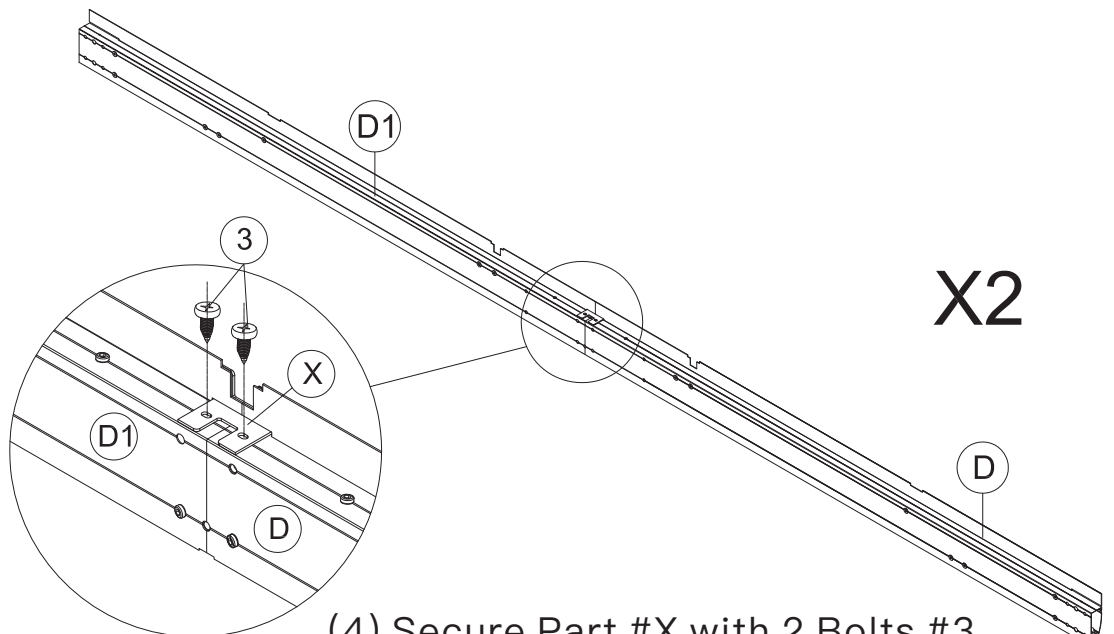
(1) Insert Part #X into Part #D1.



(3) Insert the other side of Part #C2 into Part #D1 and secure with 4 Bolts #8.

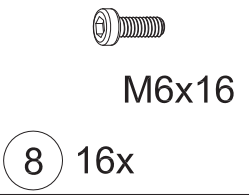
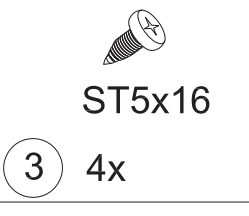
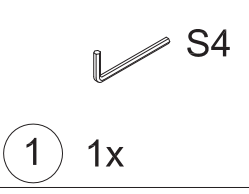
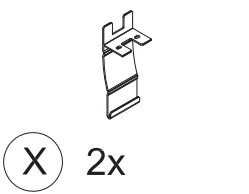
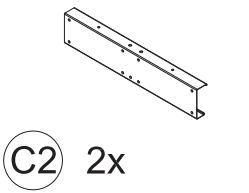
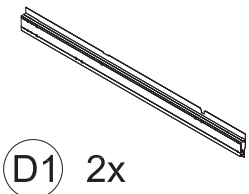
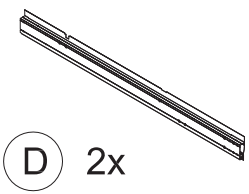


(2) Insert one side of Part #C2 into Part #D and secure with 4 Bolts #8.



(4) Secure Part #X with 2 Bolts #3.

(5) Repeat the above procedures to assemble the other Part #D and Part #D1.



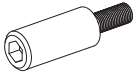


1 1x



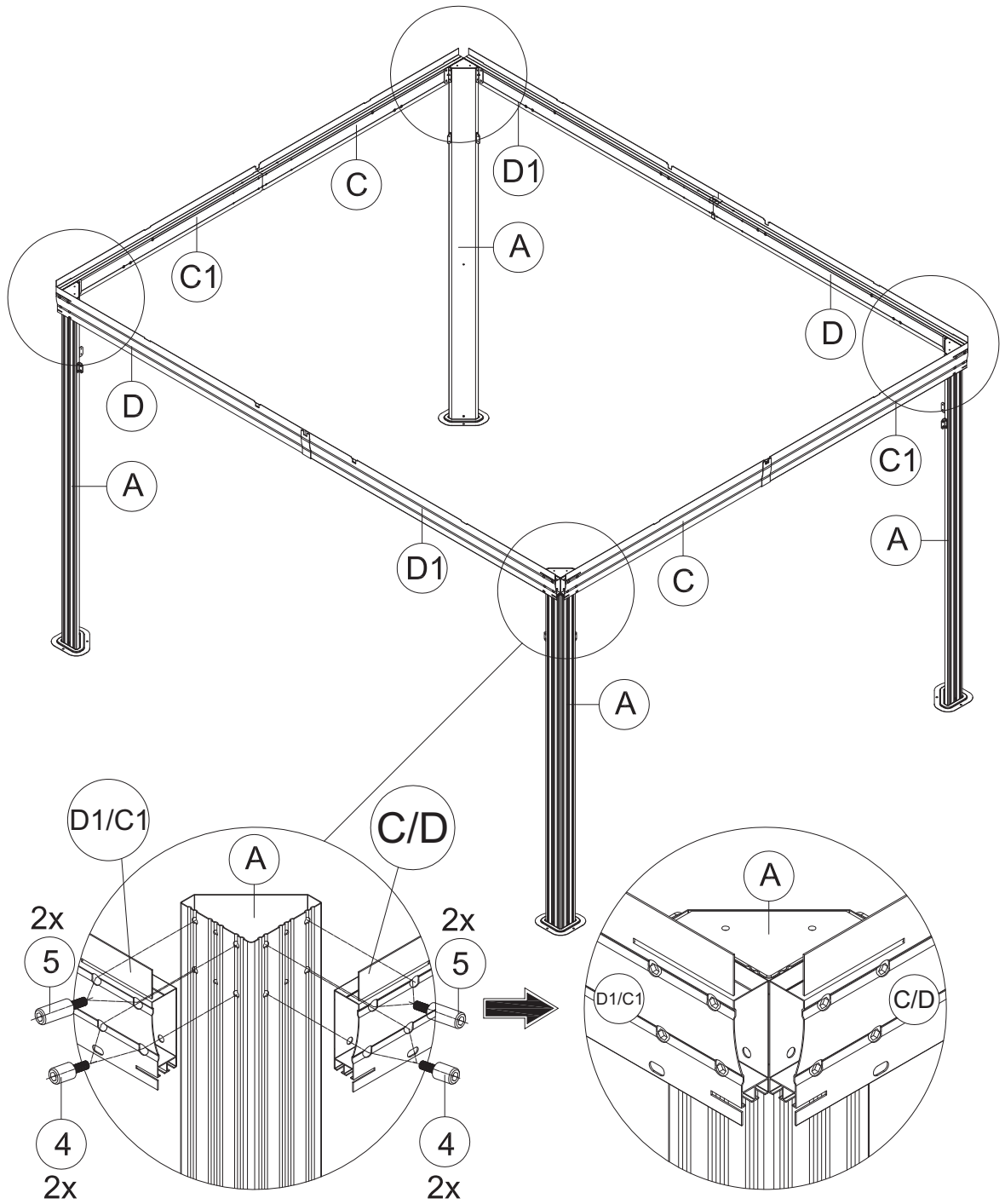
M6x15

4 16x



M6x15

5 16x



(1) Connect Part #C/C1 and #D1/D to Part #A with 4 Bolts #4 and 4 Bolts #5 (From Outside).

(2) Repeat the above procedures to assemble the other three sides.

▲ Please don't tighten all the bolts.

✓ S4

1 1x

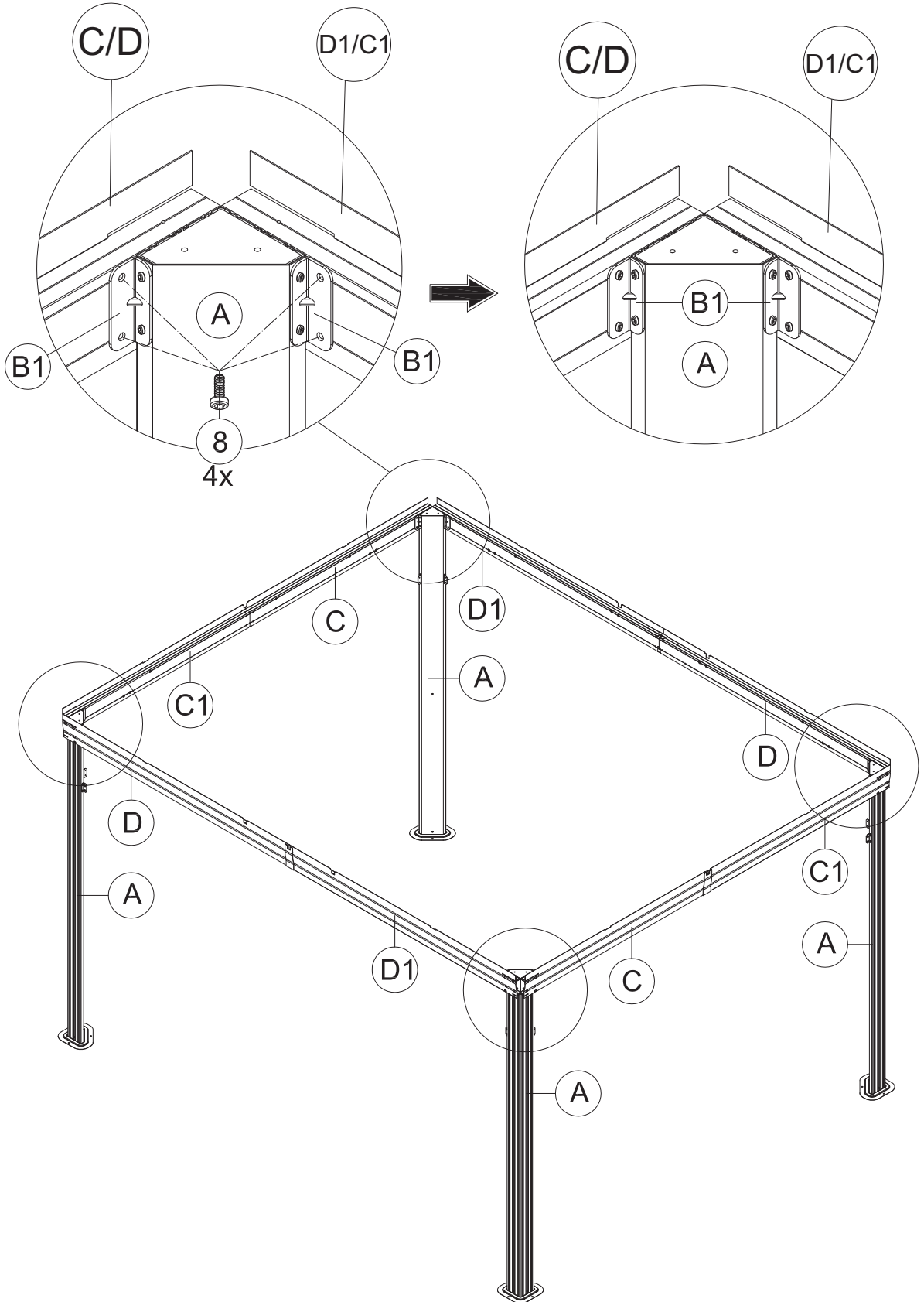


M6x16

8 16x

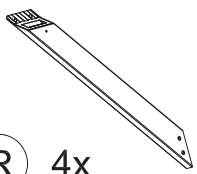
(1) Connect Part #C/C1 and #D1/D to Part #A with 4 Bolts #8. (From Inside)

(2) Repeat the above procedures to assemble the other three sides.

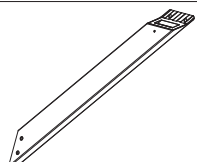


9

▲ Please don't tighten all the bolts.



R 4x



R1 4x



1 1x



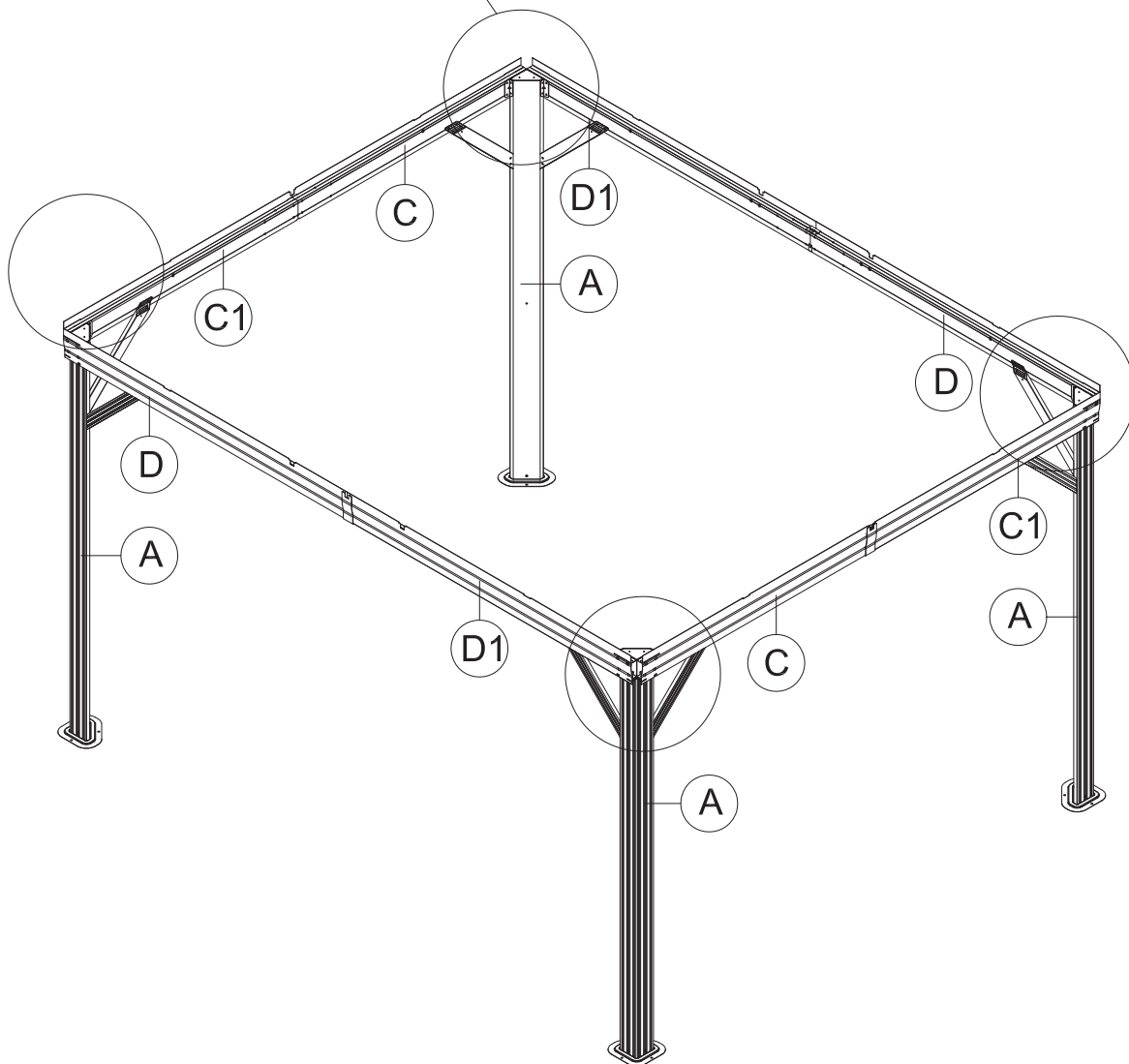
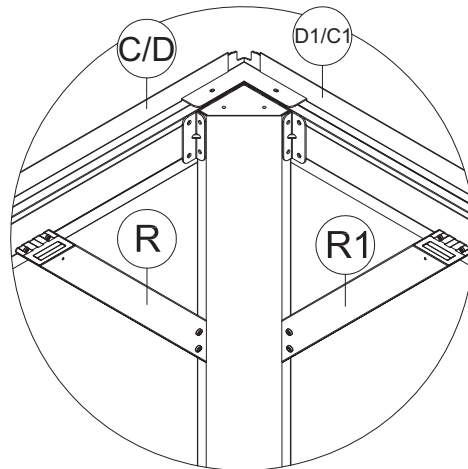
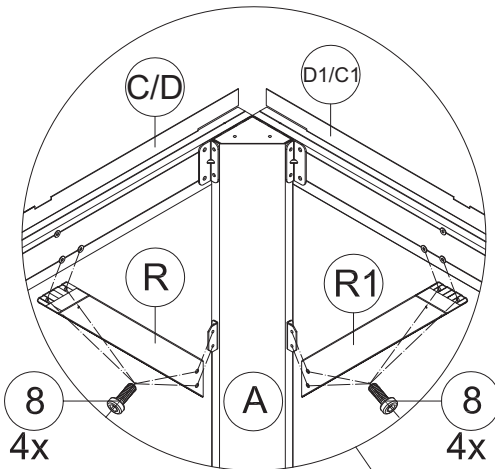
M6x16

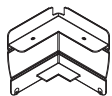
8 32x

(1) Affix Part #R and #R1 to the frame with 8 Bolts #8.

(2) Repeat the above procedures to assemble the other three sides.

▲ Please don't tighten all the bolts.





X1 4x



X2 8x



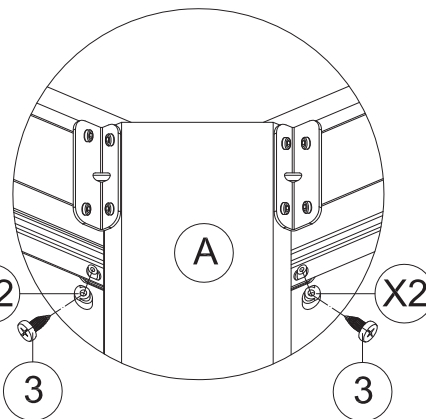
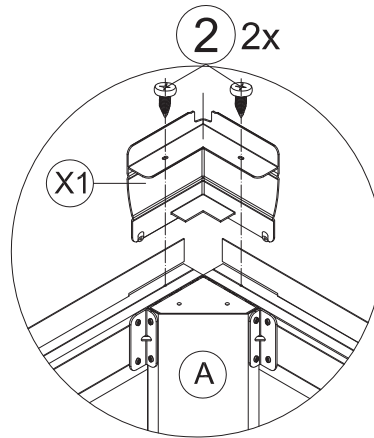
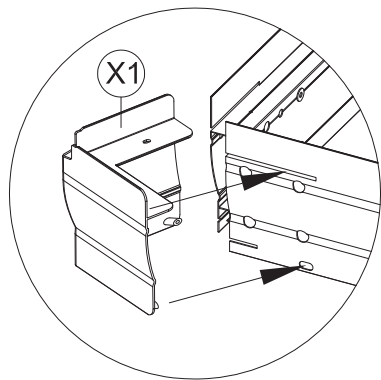
ST4.2x12

2 8x



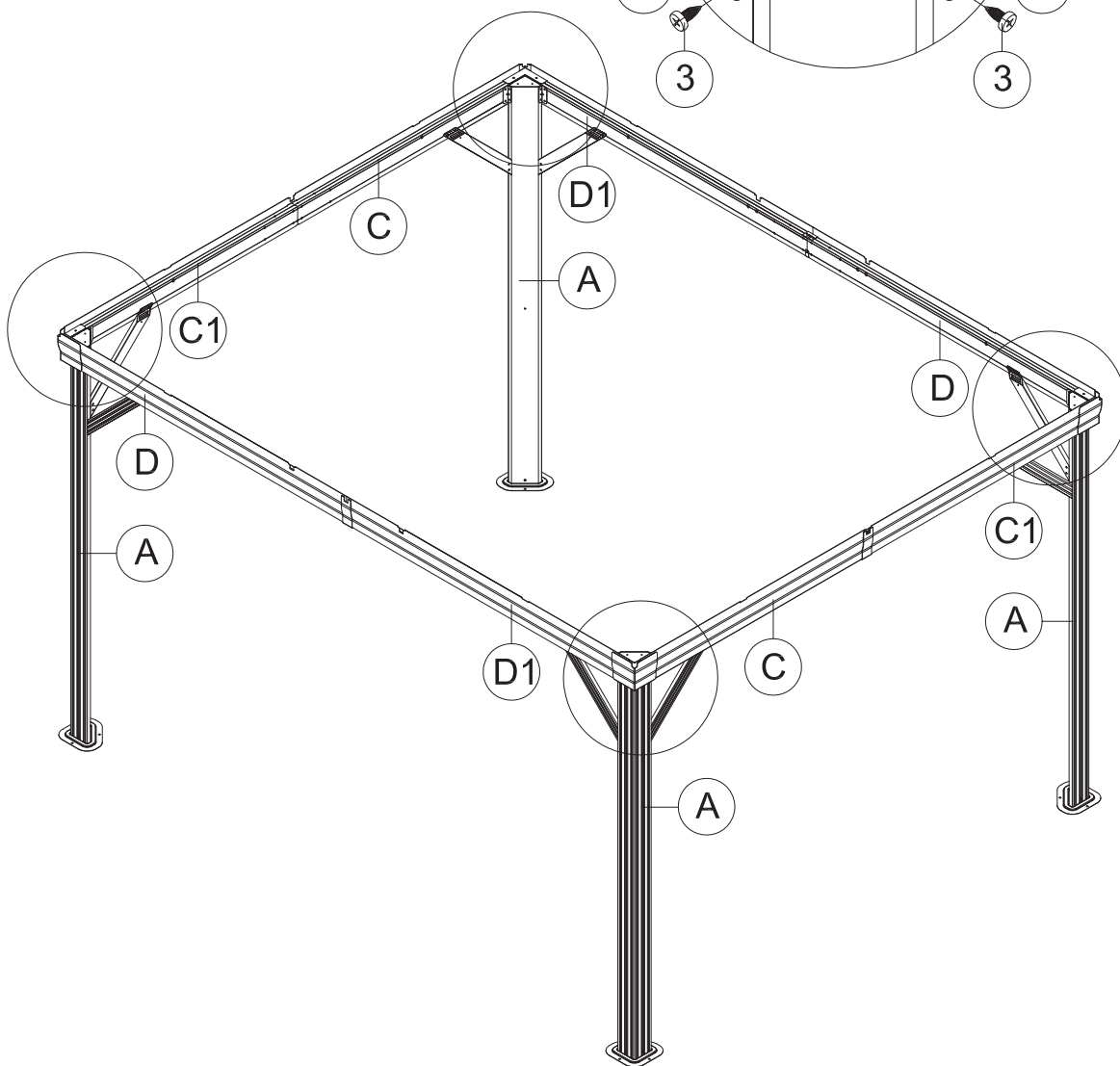
ST5x16

3 8x



(1) Cover the corner with Part #X1 and secure with 2 Bolts #2.

(2) Put Part #X2 on the protruding place and secure with 2 Bolts #3.

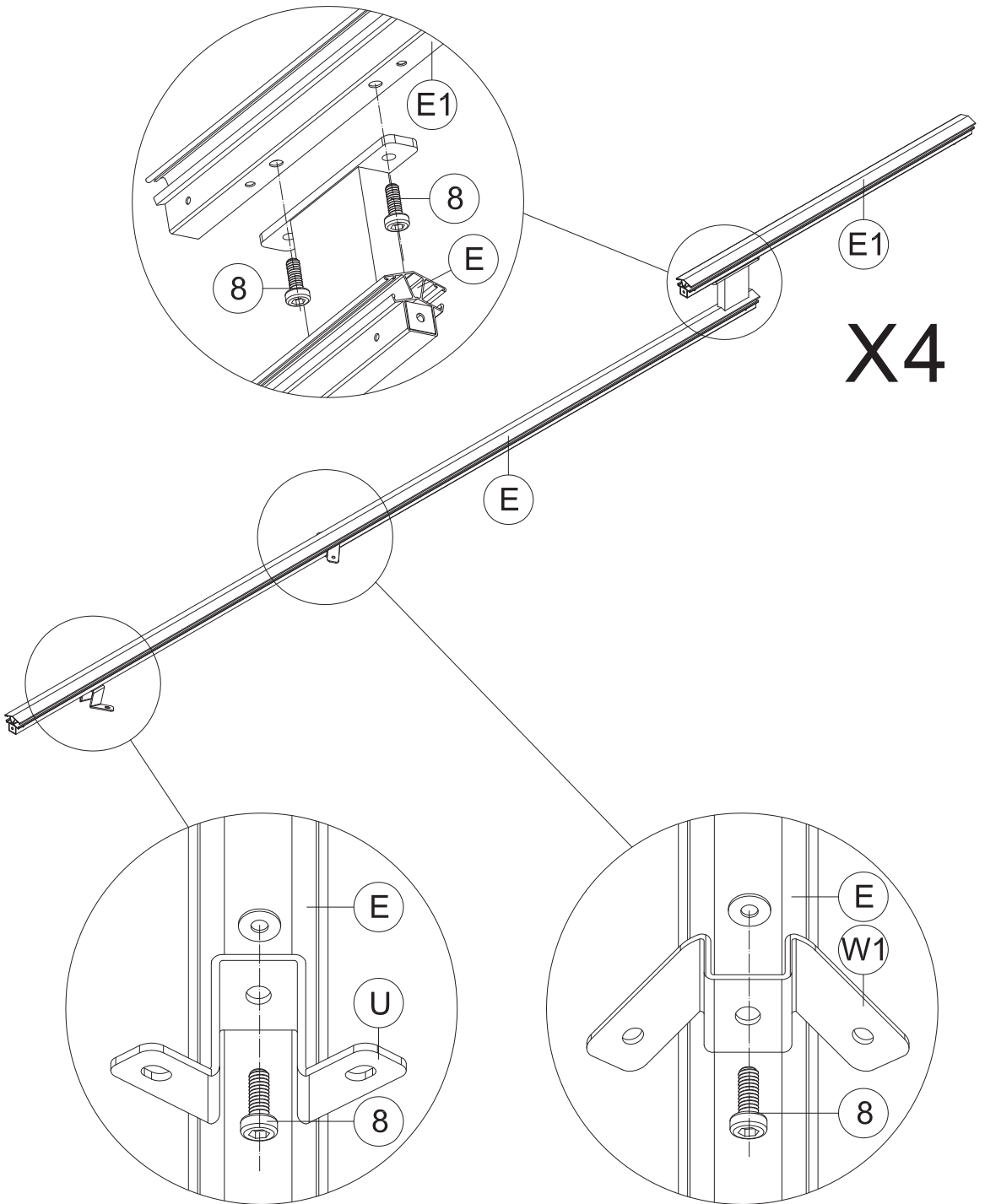
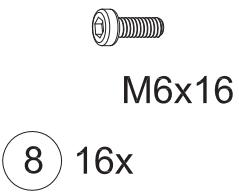
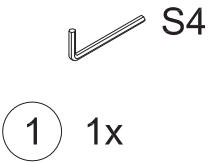
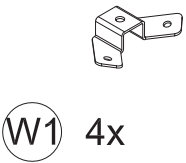
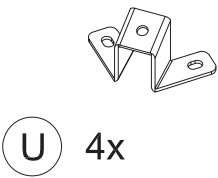
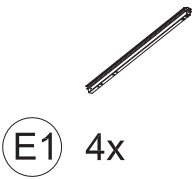
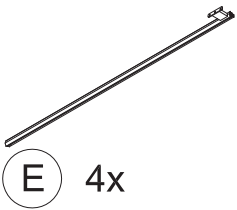


(3) Repeat the above procedures to assemble the other three sides.

▲ Tighten all the bolts.

## Assemble the 4 Corner Roof Bars:

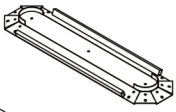
(1) Connect Part #E1 and Part #E with 2 Bolts #8.



(2) Attach Part #U to Part #E with Bolt #8.

(3) Attach Part #W1 to Part #E with Bolt #8.

(4) Repeat the above procedures to assemble the other three pieces.



(1) Please have a freestanding ladder ready at the center of the gazebo.

(2) Place 4 Part #E1 on the corner of part #S; secure with 8 Bolts #8 as shown in ① (from bottom to top).

**ATTENTION:** You can also finish this step on the ground and then lift 4 Corner Roof Bar and Inside Roof Connector to the top. (Need 2 people and 2 ladders)

(3) Place 4 Part #E on 4 Part #A; secure with 8 Bolts #8 as shown in ②.

S 1x

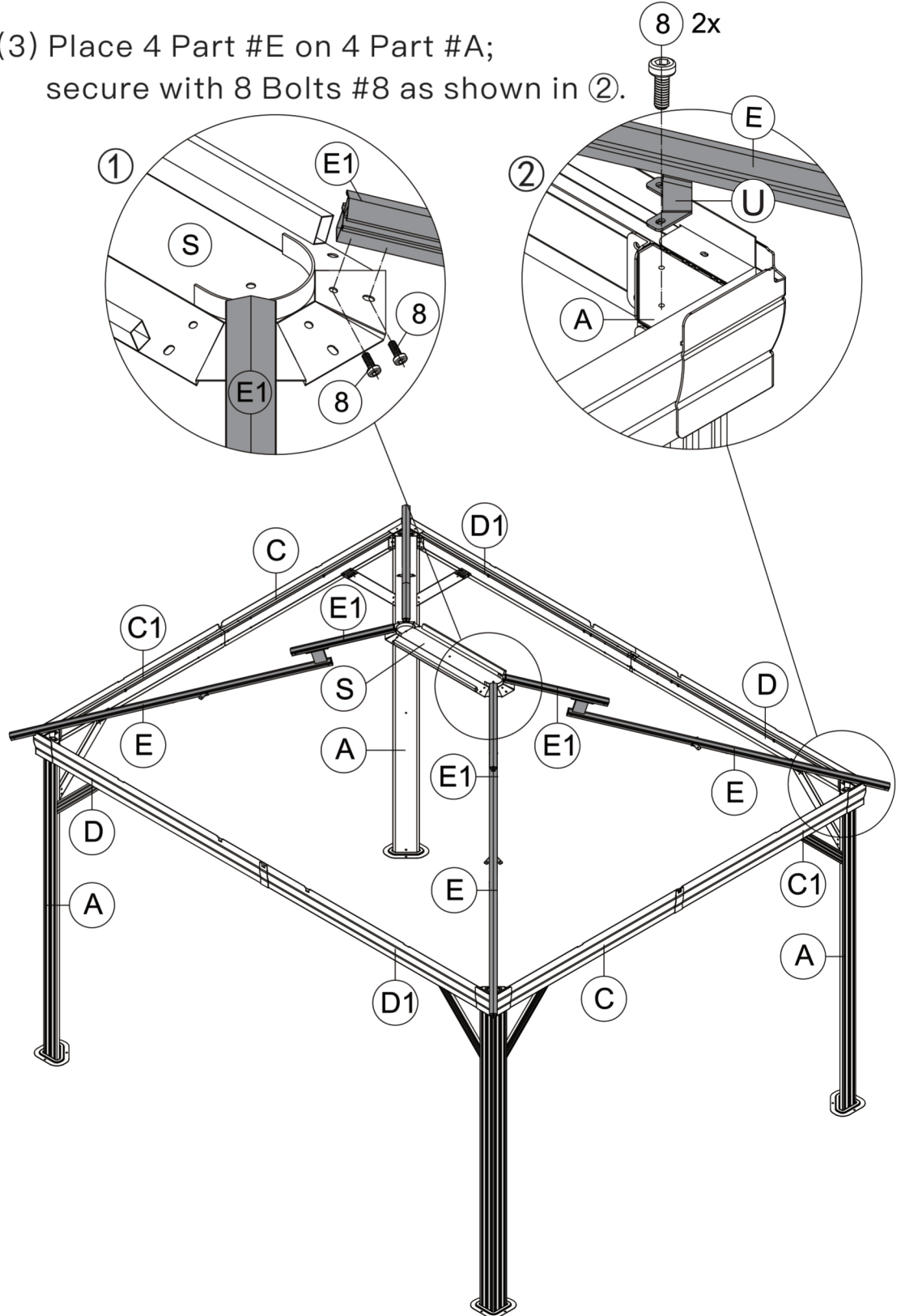


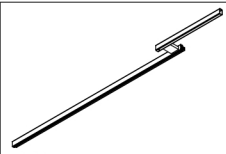
1 1x



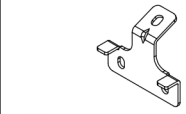
M6x16

8 16x





E2 2x



U1 2x



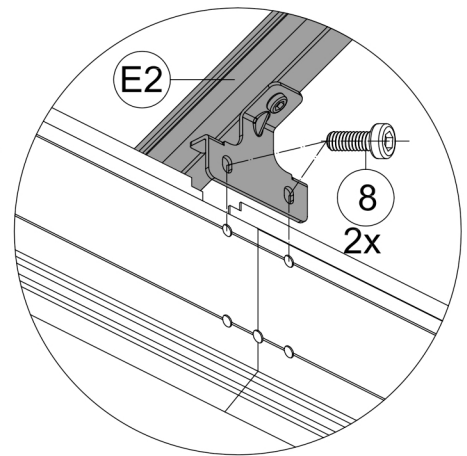
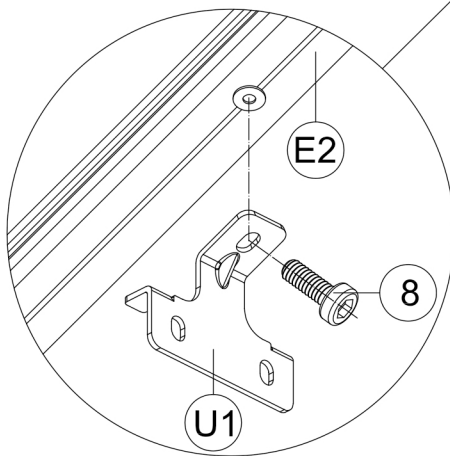
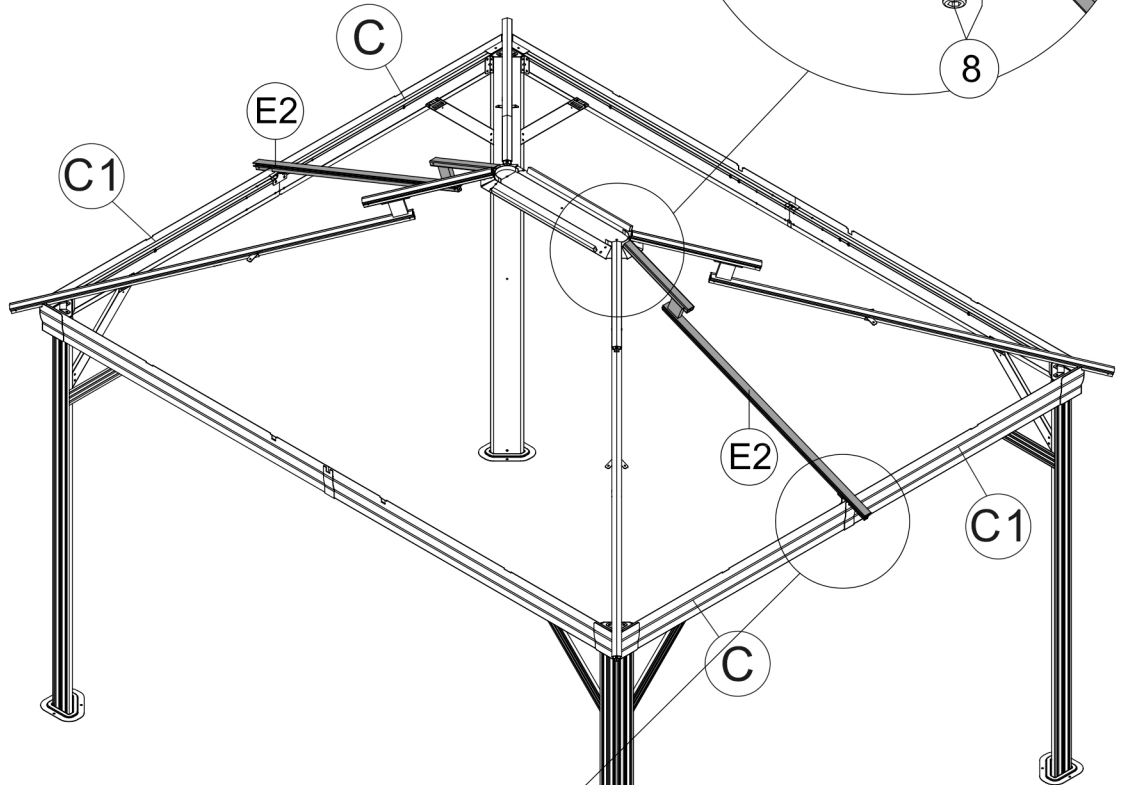
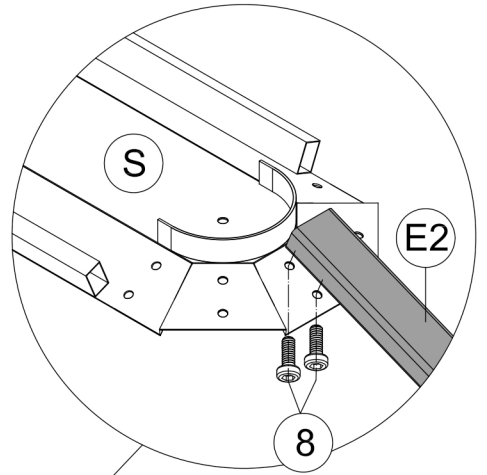
1 1x



M6x16

8 10x

(1) Place Part #E2 on part #S;  
secure with 2 Bolts #8( from bottom to top).

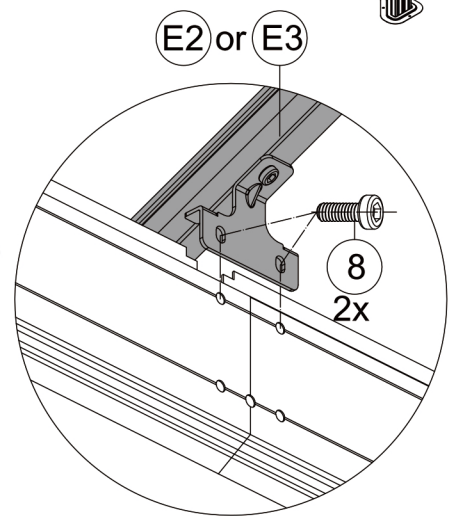
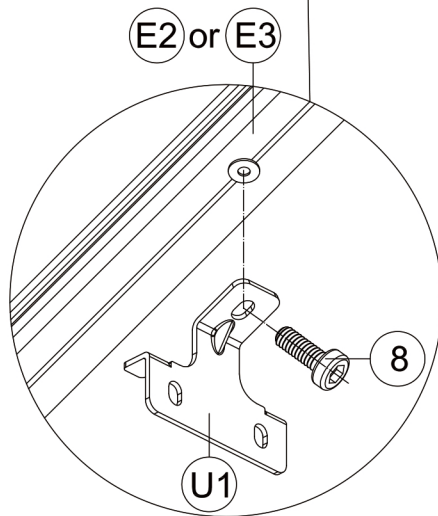
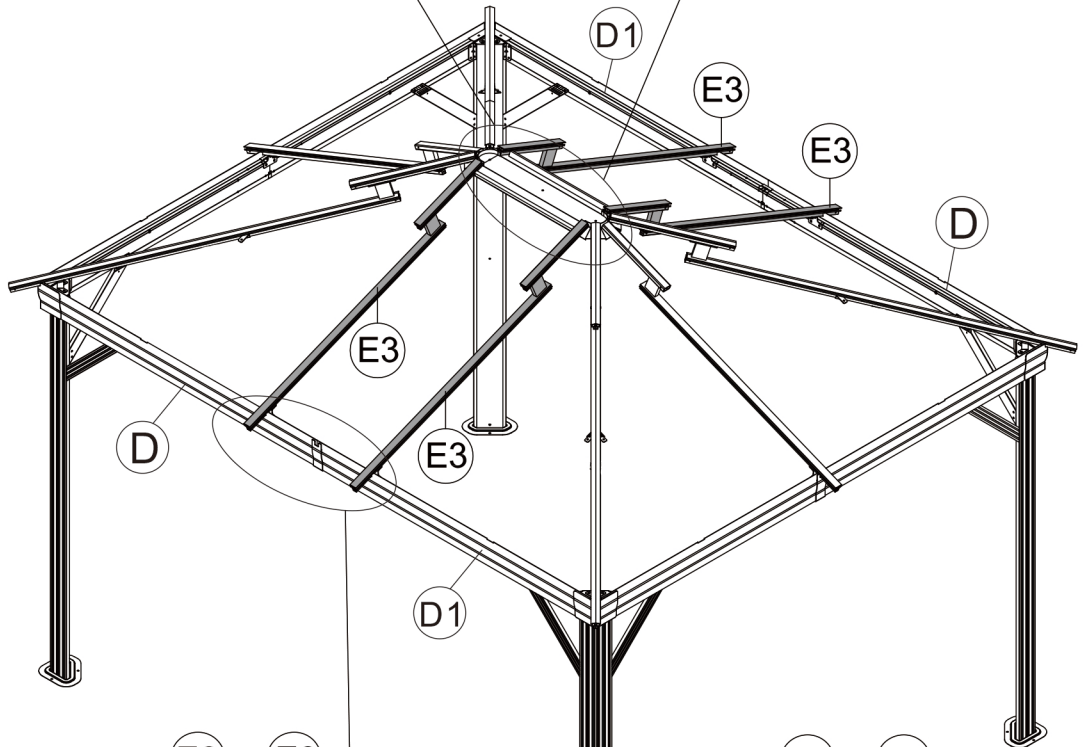
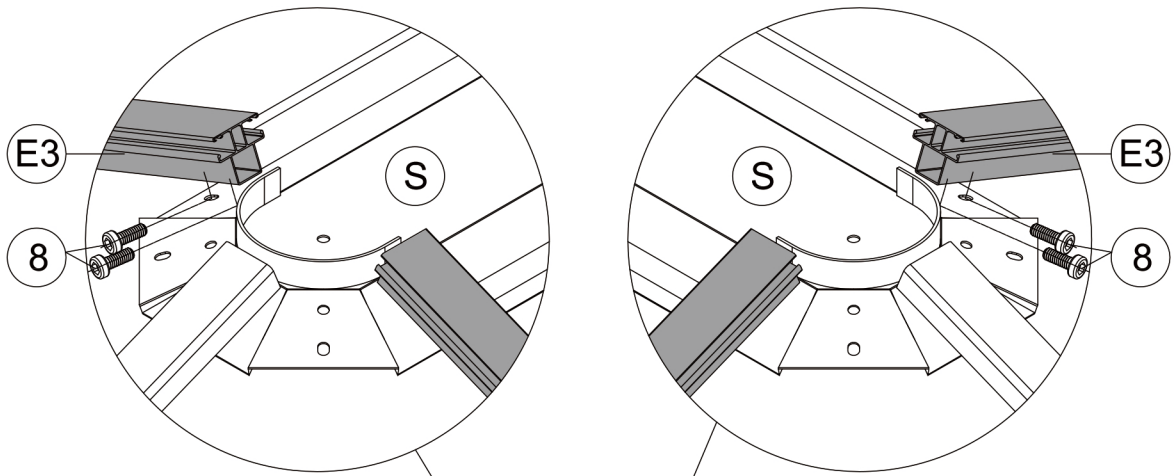
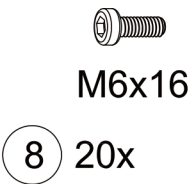
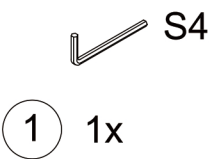
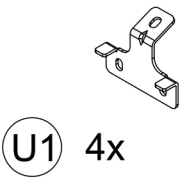
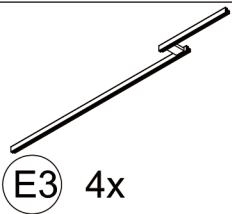


(2) Connect Part #E2 and the Assembled Beam (C&C1)  
with part #U1. Secure with 3 Bolts #8.

(3) Repeat the above procedures to assemble another side.



(1) Place 2 Part #E3 on Part #S; secure with 4 Bolts #8 (from bottom to top).



(2) Connect 2 Part #E3 and the Assembled Beam (D&D1) with part #U1; secure with 6 Bolts #8.

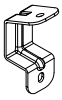
(3) Repeat the above procedures to assemble another side.



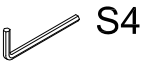
F 4x



F1 4x



U2 8x

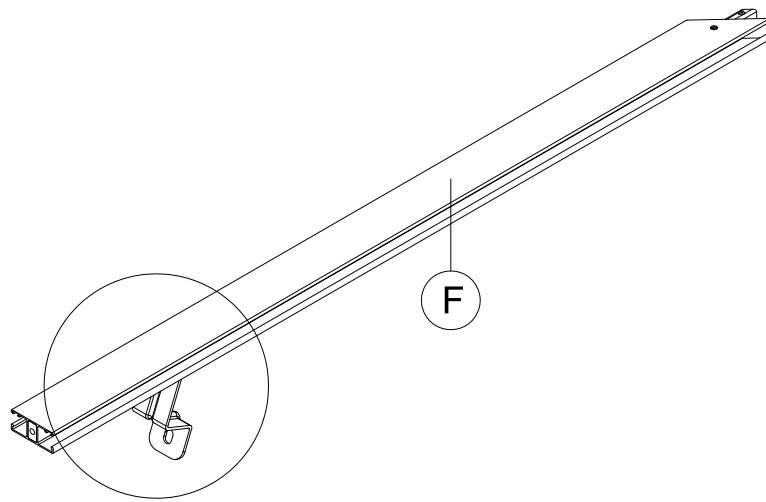


1 1x

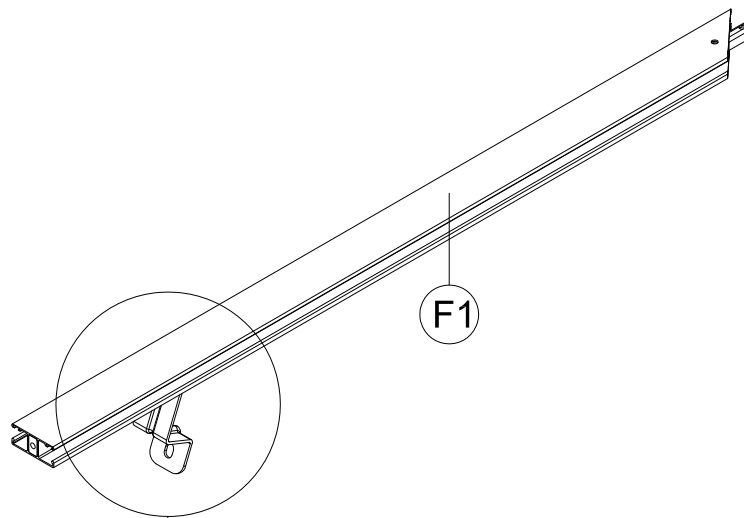


M5x12

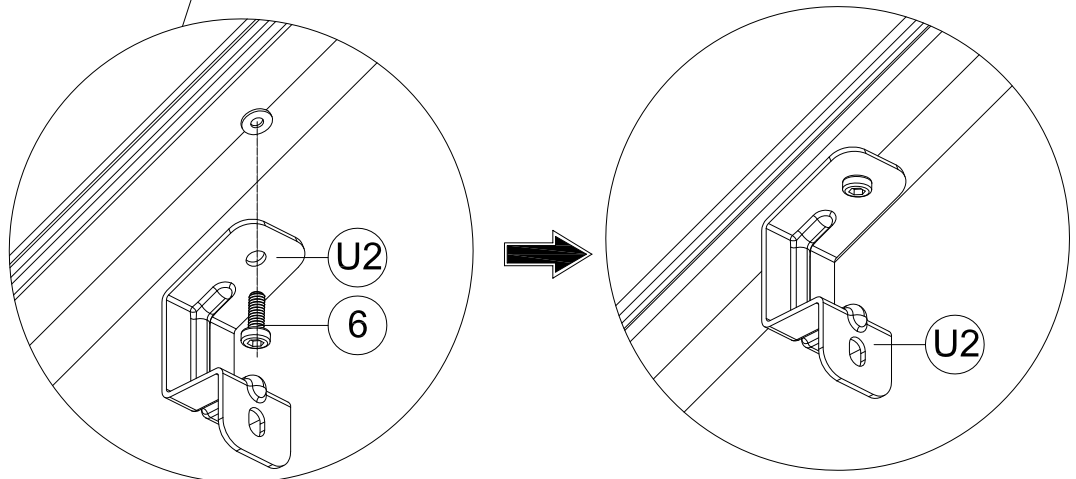
6 8x



X4



X4



(1) Attach Part #U2 to Part #F/F1 with Bolt #6.

(2) Repeat the above procedures to assemble the other 3 pieces.

✓ S4

(1) Insert Part #F and Part #F1 into Part #E;  
secure Part #F/F1 with Part #U and 2 Bolts #6.

1 1x



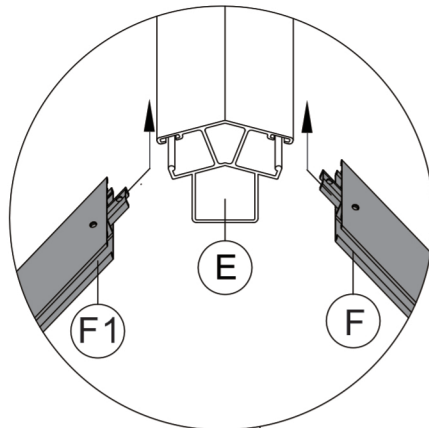
M5x12

6 8x

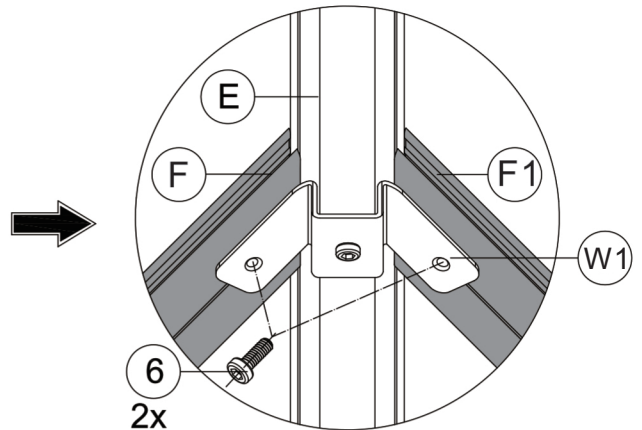


M6x16

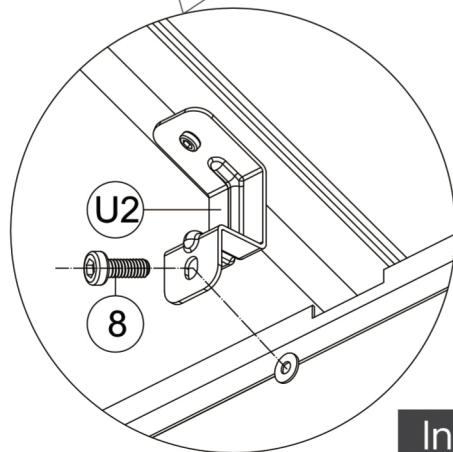
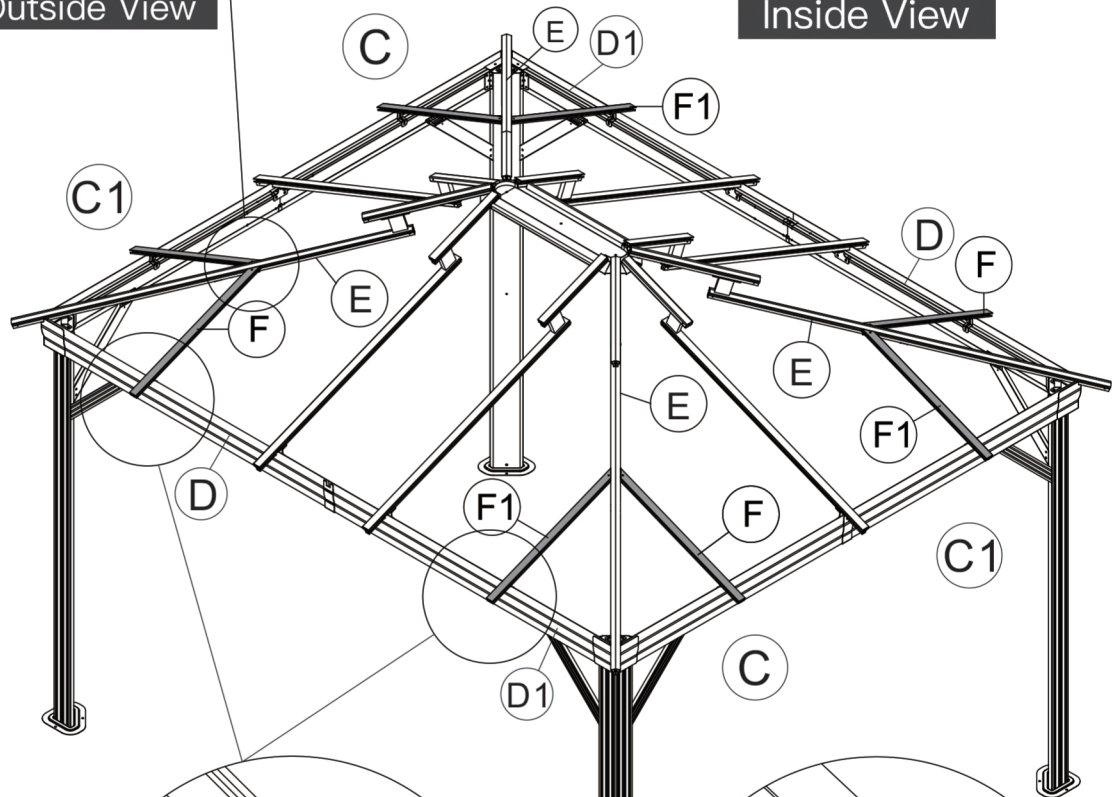
8 8x



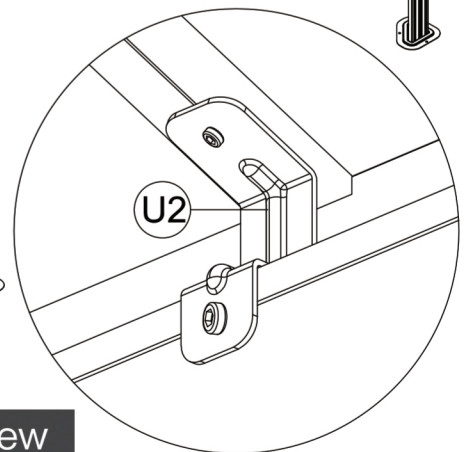
Outside View



Inside View



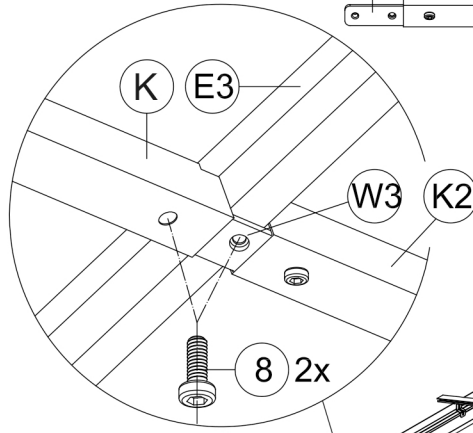
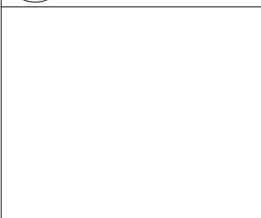
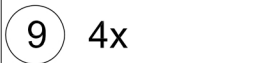
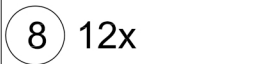
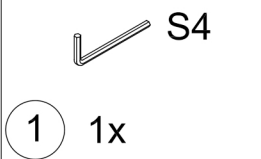
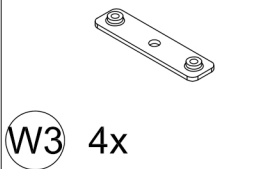
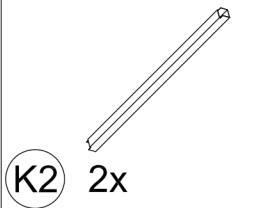
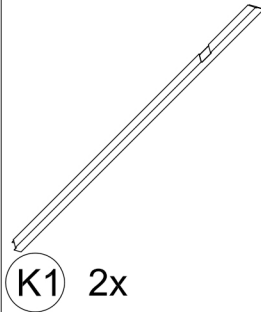
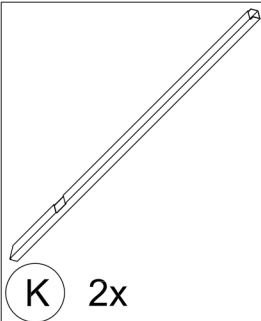
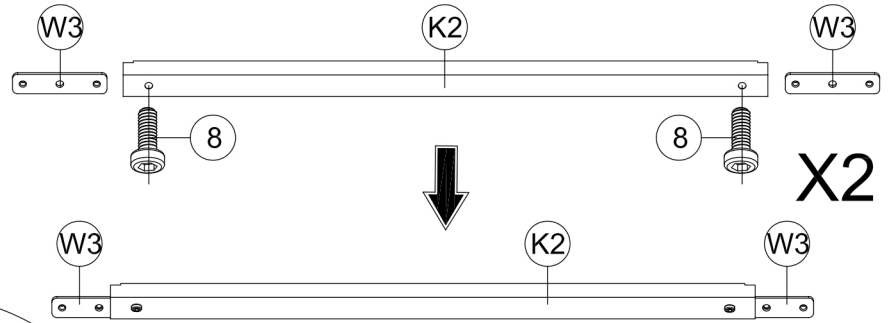
Inside View



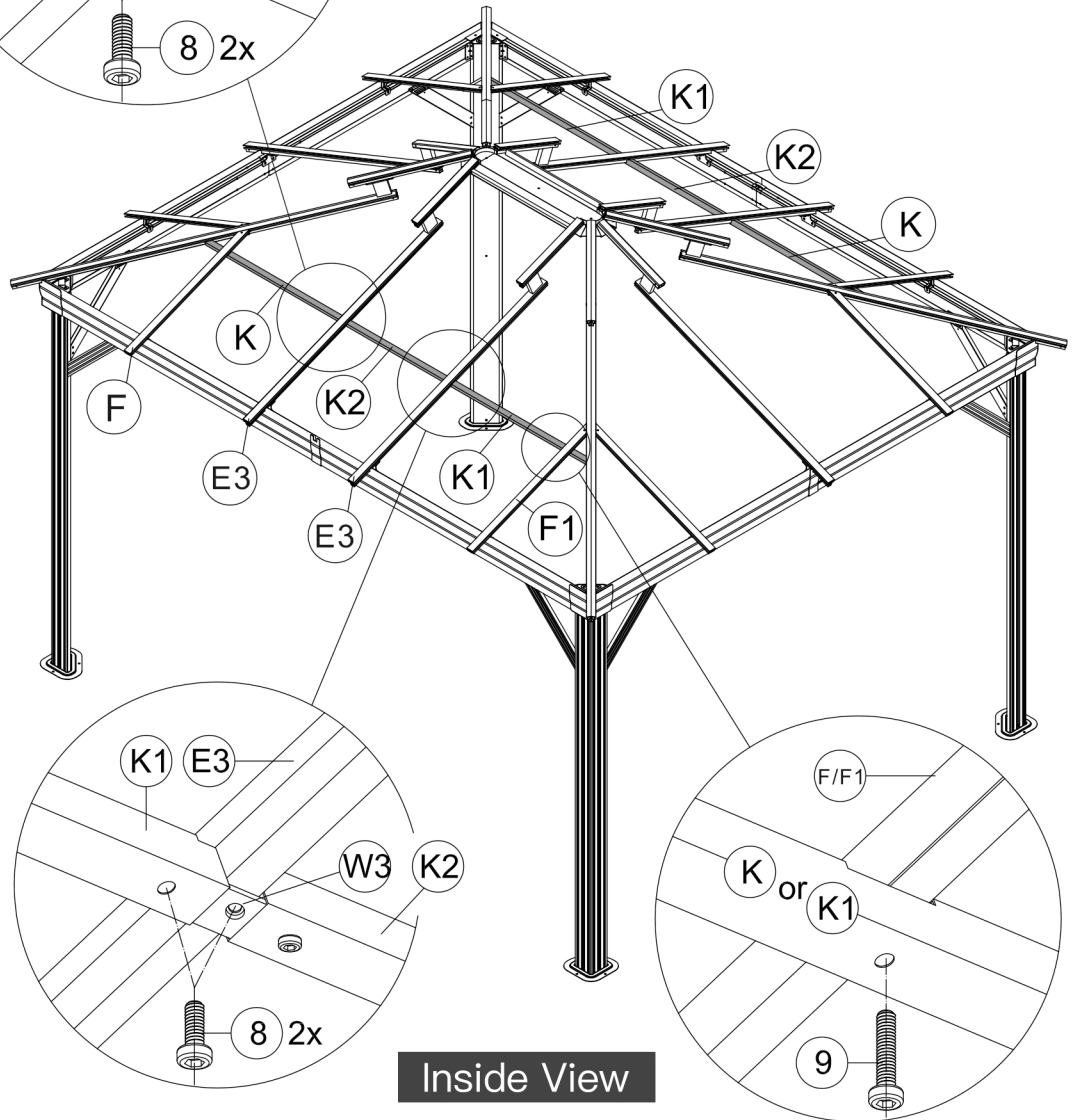
(2) Connect Part #F/F1 and the Assembled Beam  
with part #U2; secure with Bolt #8.

(3) Repeat the above procedures to assemble  
the other three sides.

(1) Insert Part #W3 to Part #K2 and secure with 2 Bolts #8.

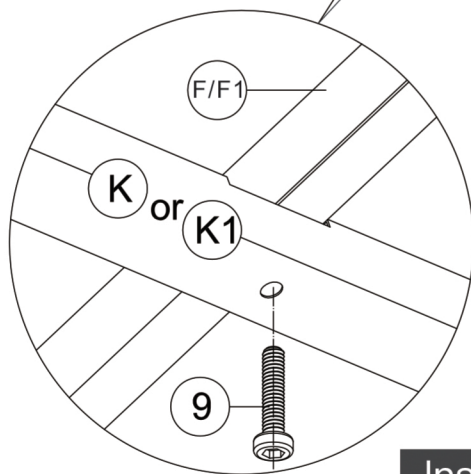
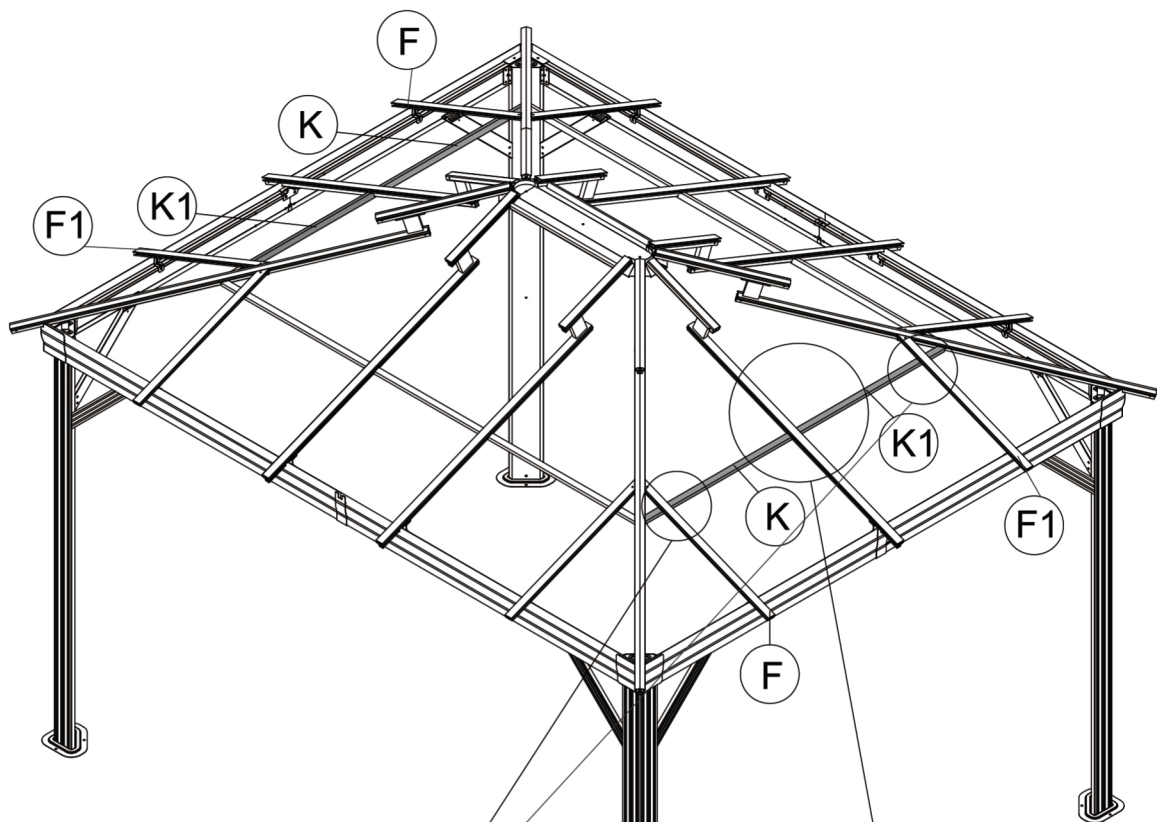
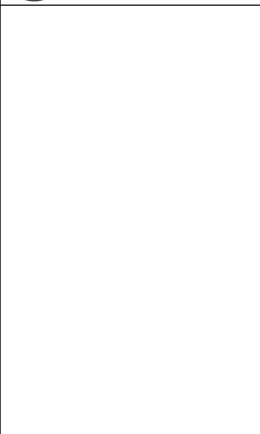
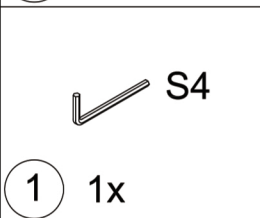
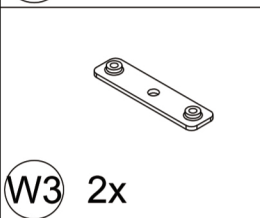
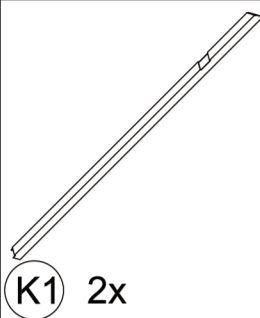
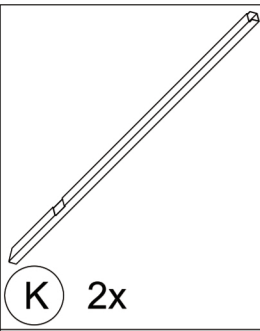


(2) Attach Part #K and Part #K2 with Part #W3 and 2 Bolts #8.

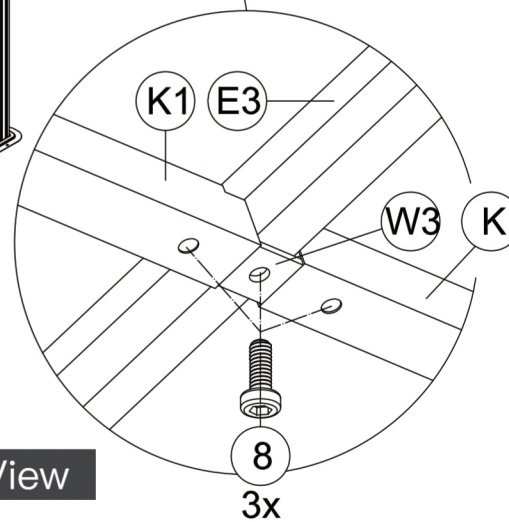


(3) Attach Part #K1 and Part #K2 (4) Connect Part #K/K1 and Part #F/F1 with Bolts #9.

(5) Repeat the above procedures to assemble another side.



Inside View



(2) Connect Part #K/K1 and (1) Attach Part #K and Part #K1 Part #F/F1 with Bolt #9. with Part #W3 and 3 Bolts #8.

(3) Repeat the above procedures to assemble another side.



W2 4x



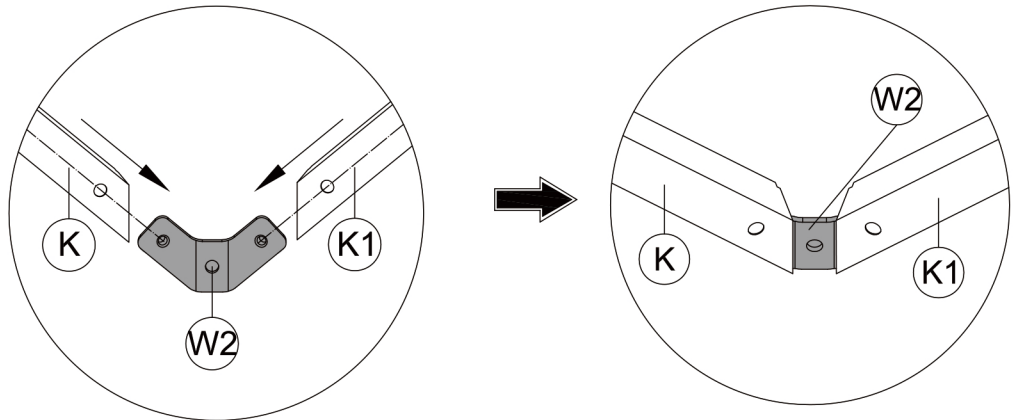
1 1x



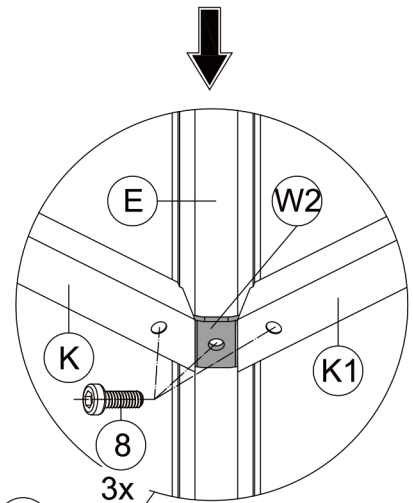
M6x16

8 12x

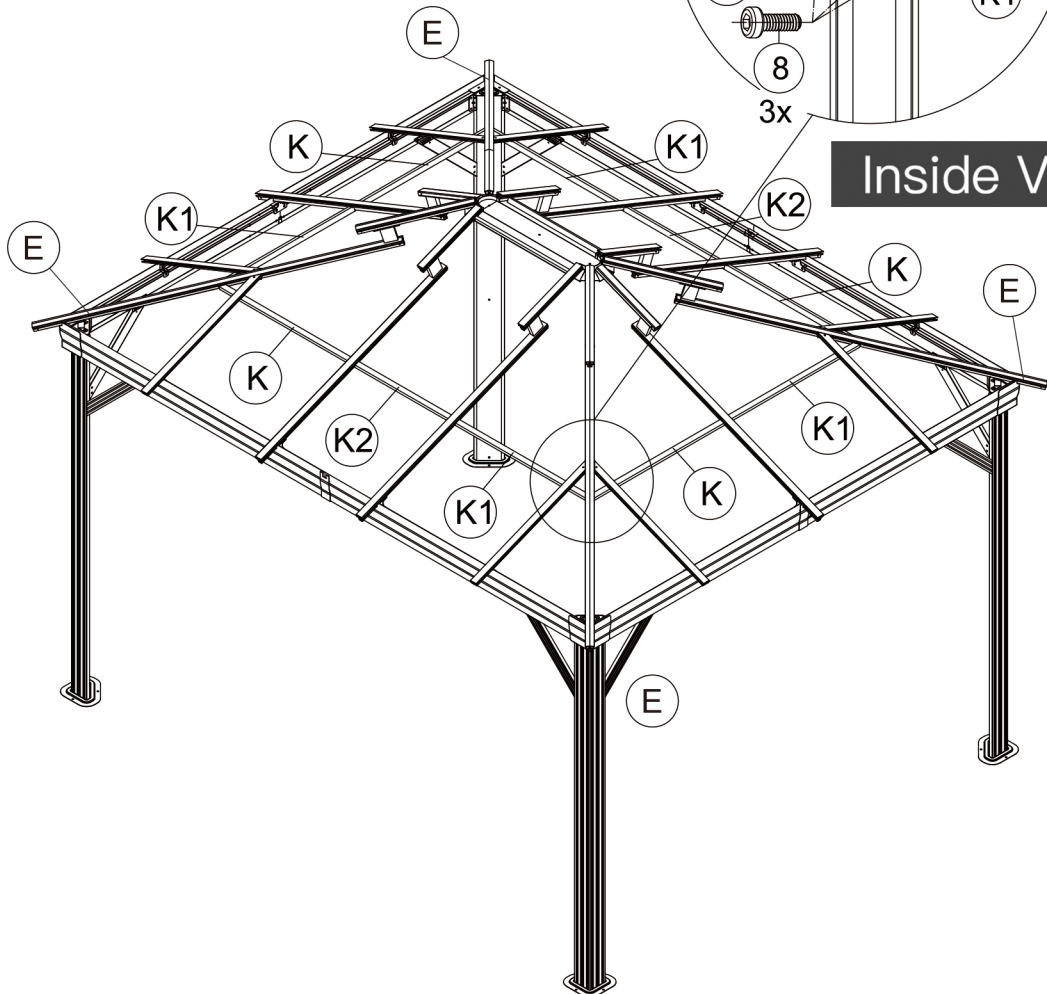
(1) Insert Part #W2 into Part #K1 and Part #K.



(2) Secure them to Part #E with 3 Bolts #8.

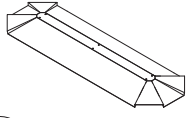


Inside View

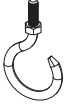


20

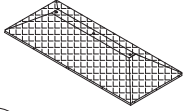
(3) Repeat the above procedures to assemble the other three sides.



S1 1x

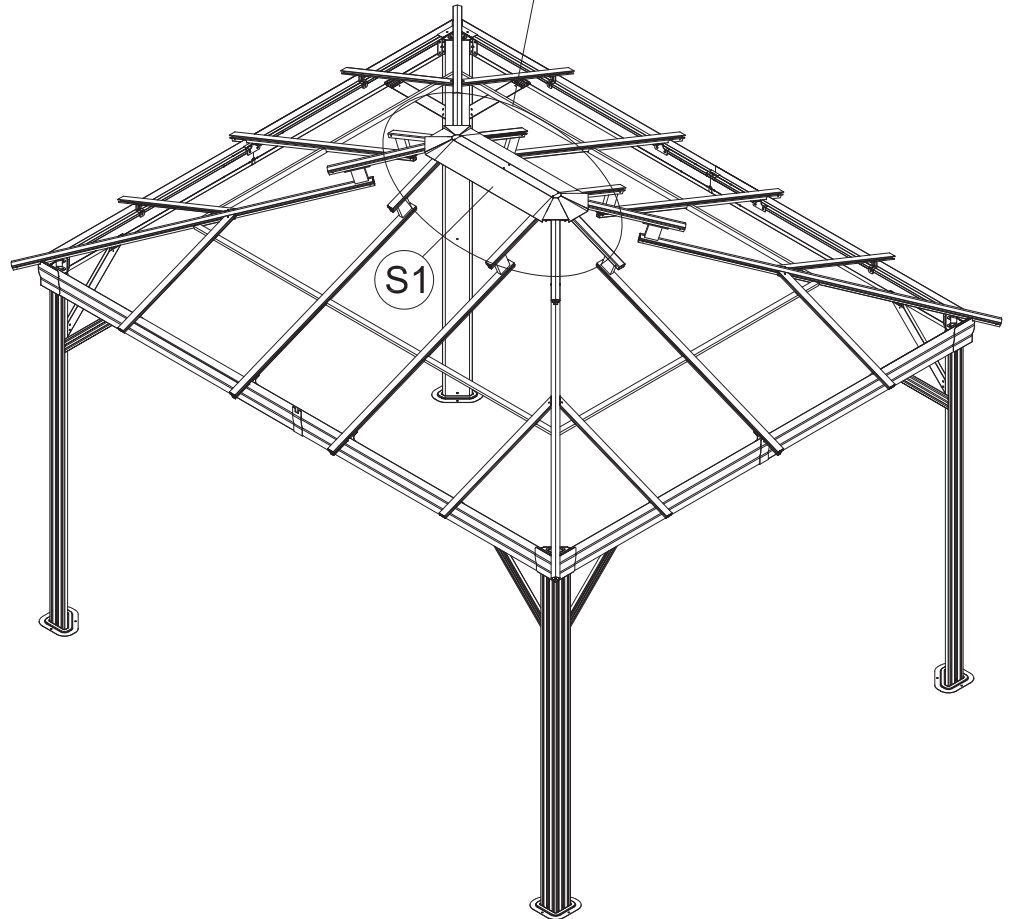
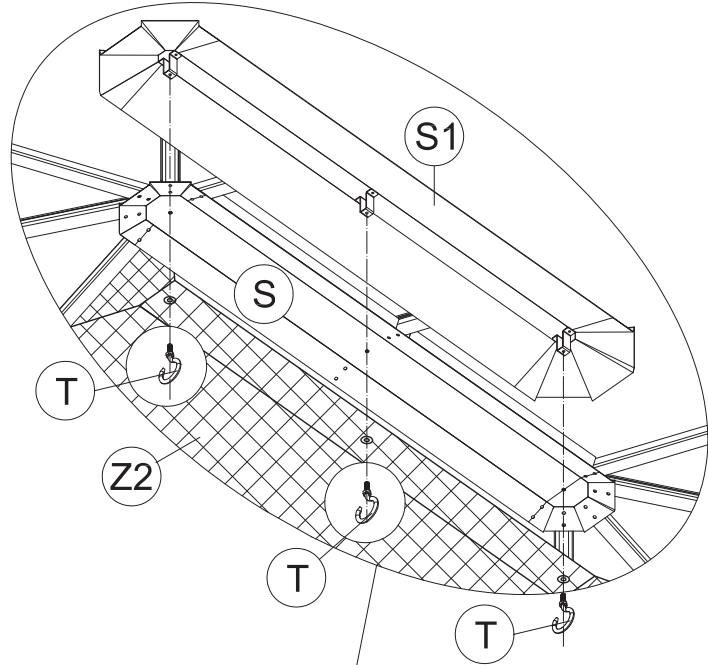


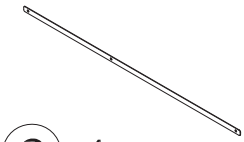
T 3x



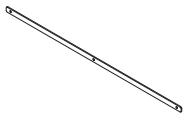
Z2 1x

Secure Part #T to Part #Z2, Part #S and Part #S1.  
**ATTENTION:** The holes of Part #Z2, Part #S and Part #S1 need to be aligned, on the same vertical line.



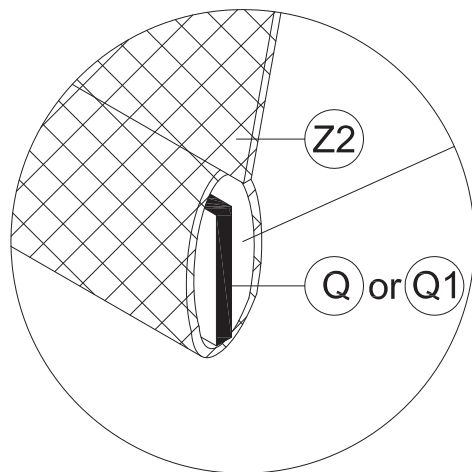
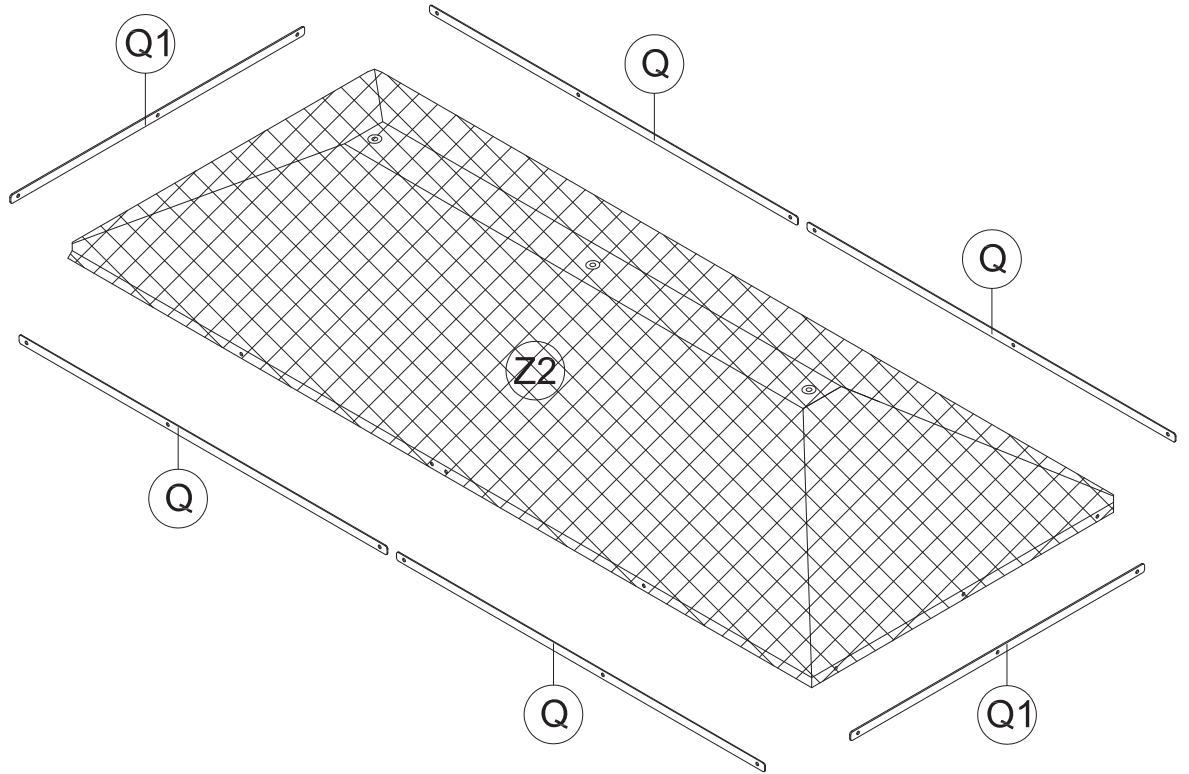


Q 4x



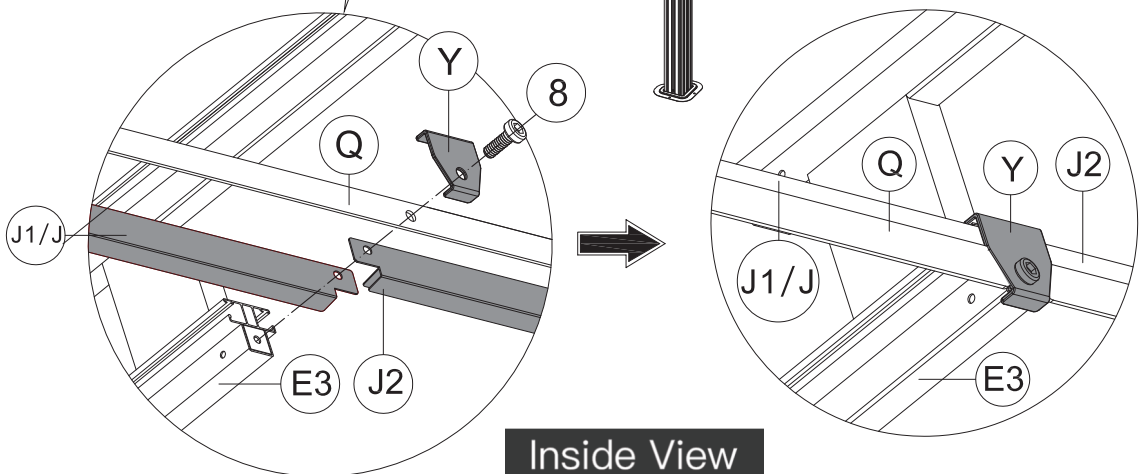
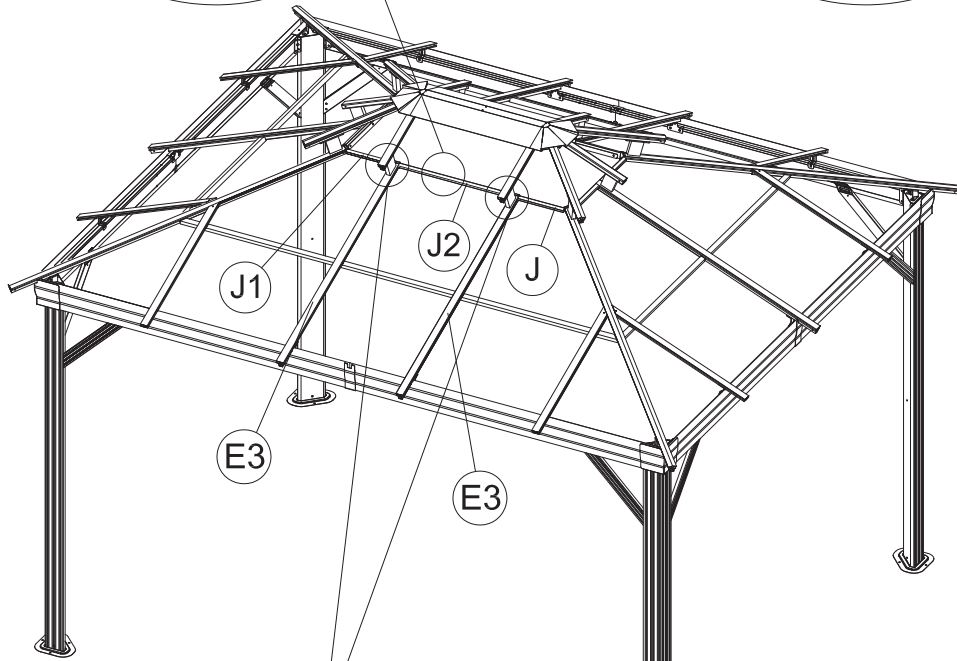
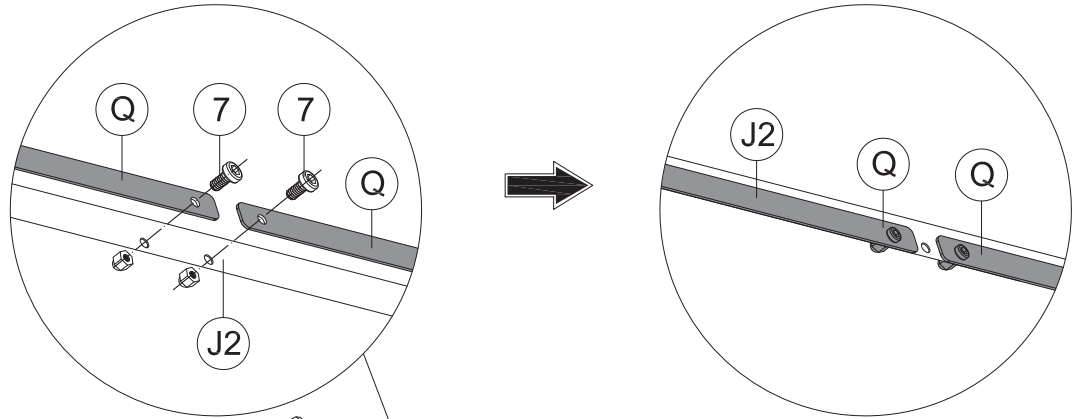
Q1 2x

Insert Part #Q/Q1 into the hole that  
around the edge of Part #Z2.





(1) Fix Part #Q and Part #J2 with 2 Bolts and Nuts #7.

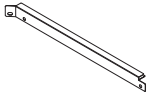


Inside View

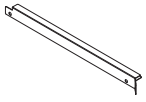
(2) Place Part #J/J1, Part #J2 and Part #Q into order on Part #E3; put on Part #Y and secure with Bolt #8.

**ATTENTION:** The holes need to be aligned.

(3) Repeat these procedures to assemble the another side.



J 2x



J1 2x



Y 2x



1 1x

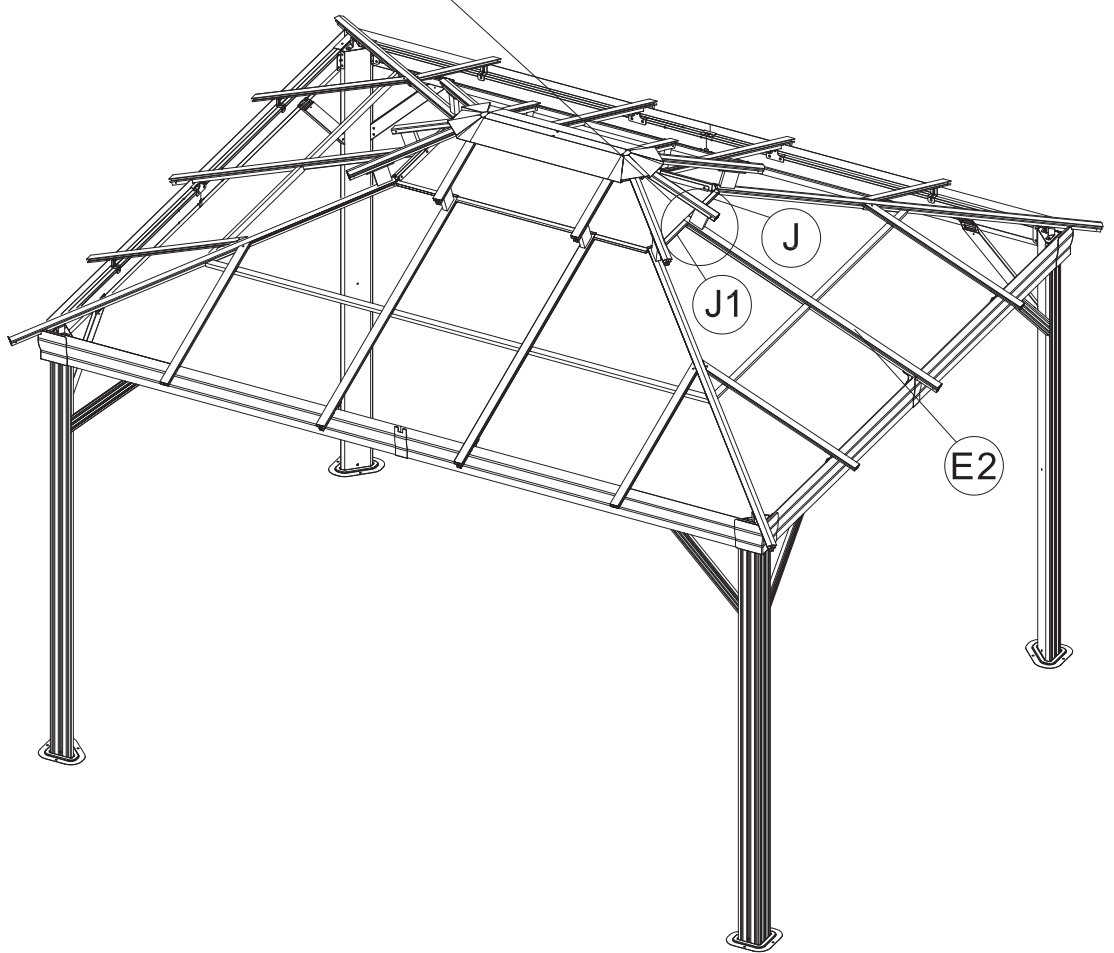
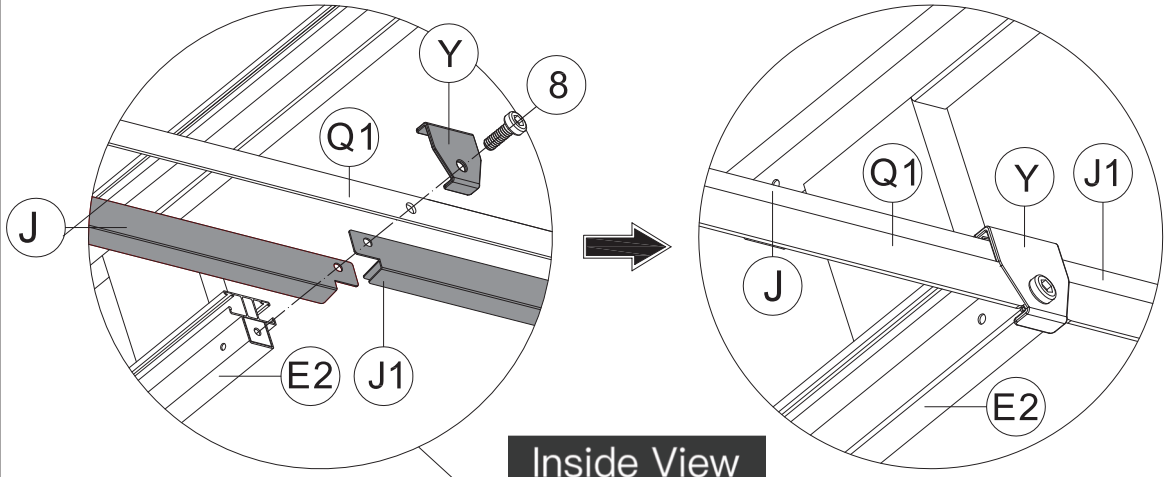


M6x16

8 2x

(1) Place Part #J, Part #J1 and Part #Q1 into order on Part #E2; put on Part #Y and secure with Bolt #8.  
**ATTENTION: The holes need to be aligned.**

(2) Repeat these procedures to assemble the another side.

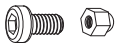




Y1 4x



1 1x



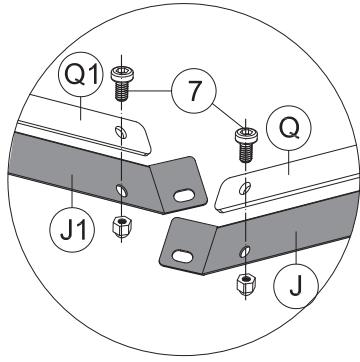
M6x12

7 8x

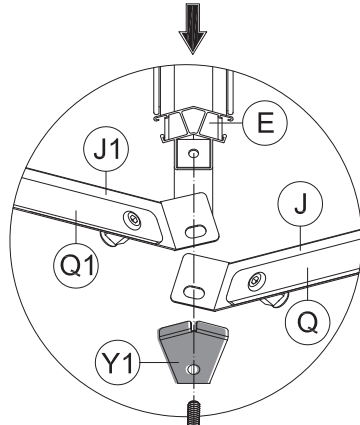


M6x16

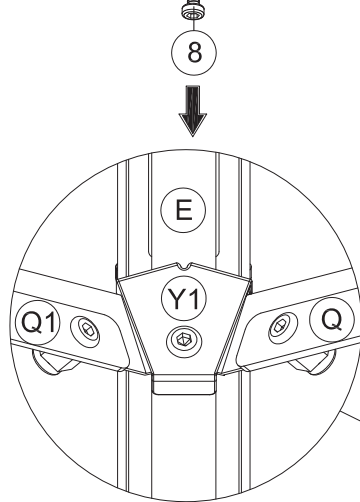
8 4x



(1) Attach Part #Q to Part #J with the Bolt and Nut #7; attach Part #Q1 to Part #J1 with Bolt and Nut #7.

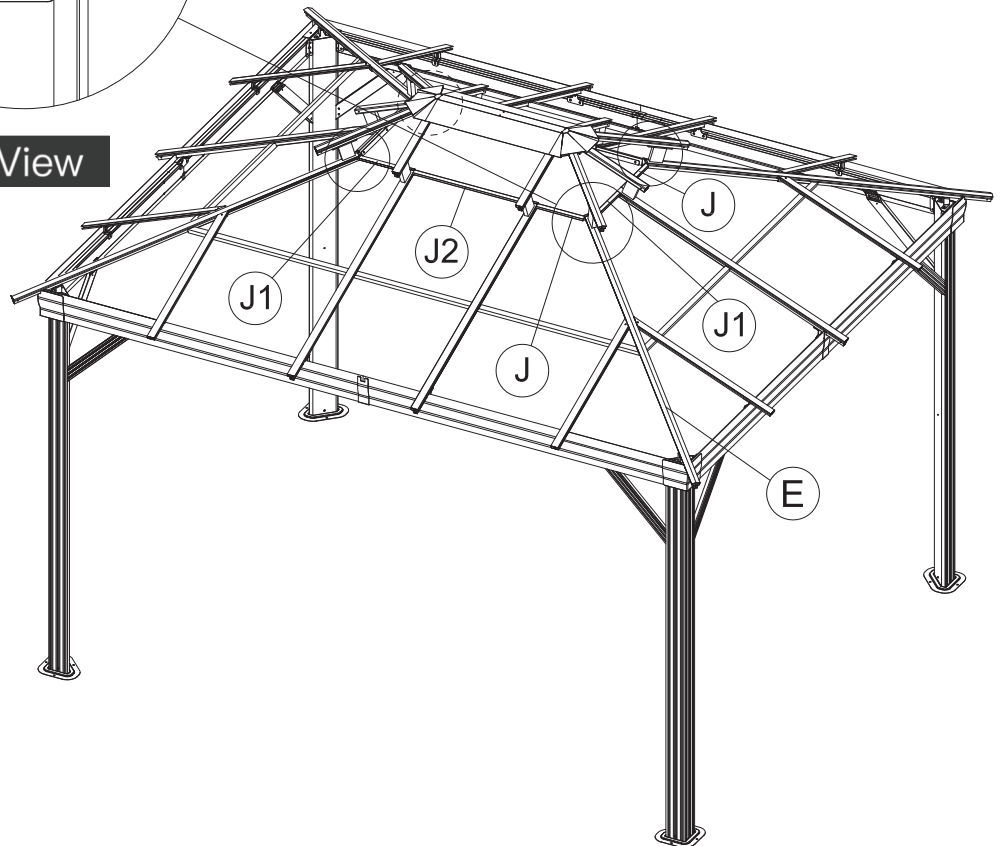


(2) Place Part #Y1 on Part #J/J1 and Part #E, securing with Bolt #8.

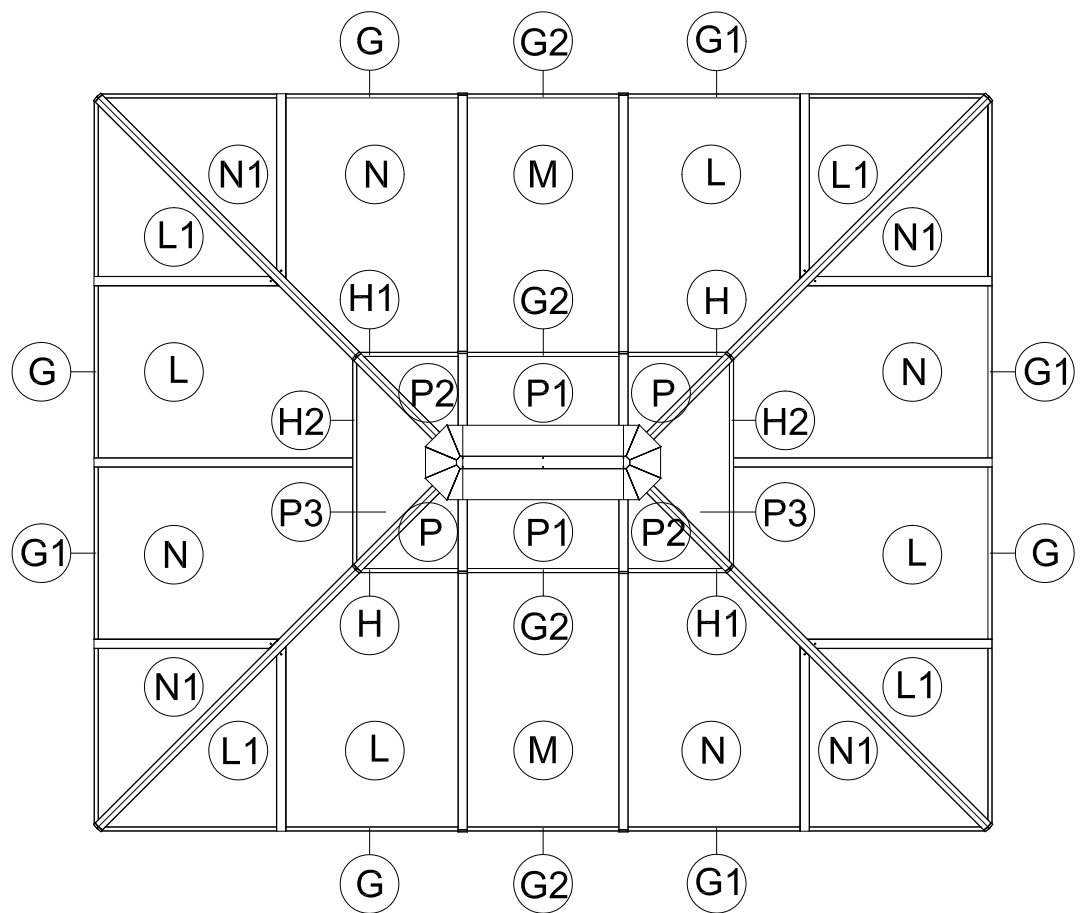


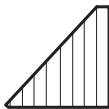
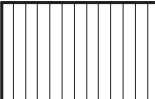

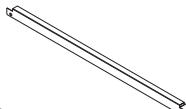
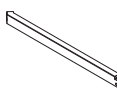
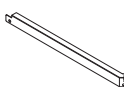
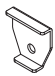

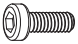

(3) Repeat these procedures to assemble the other three corners.

Inside View



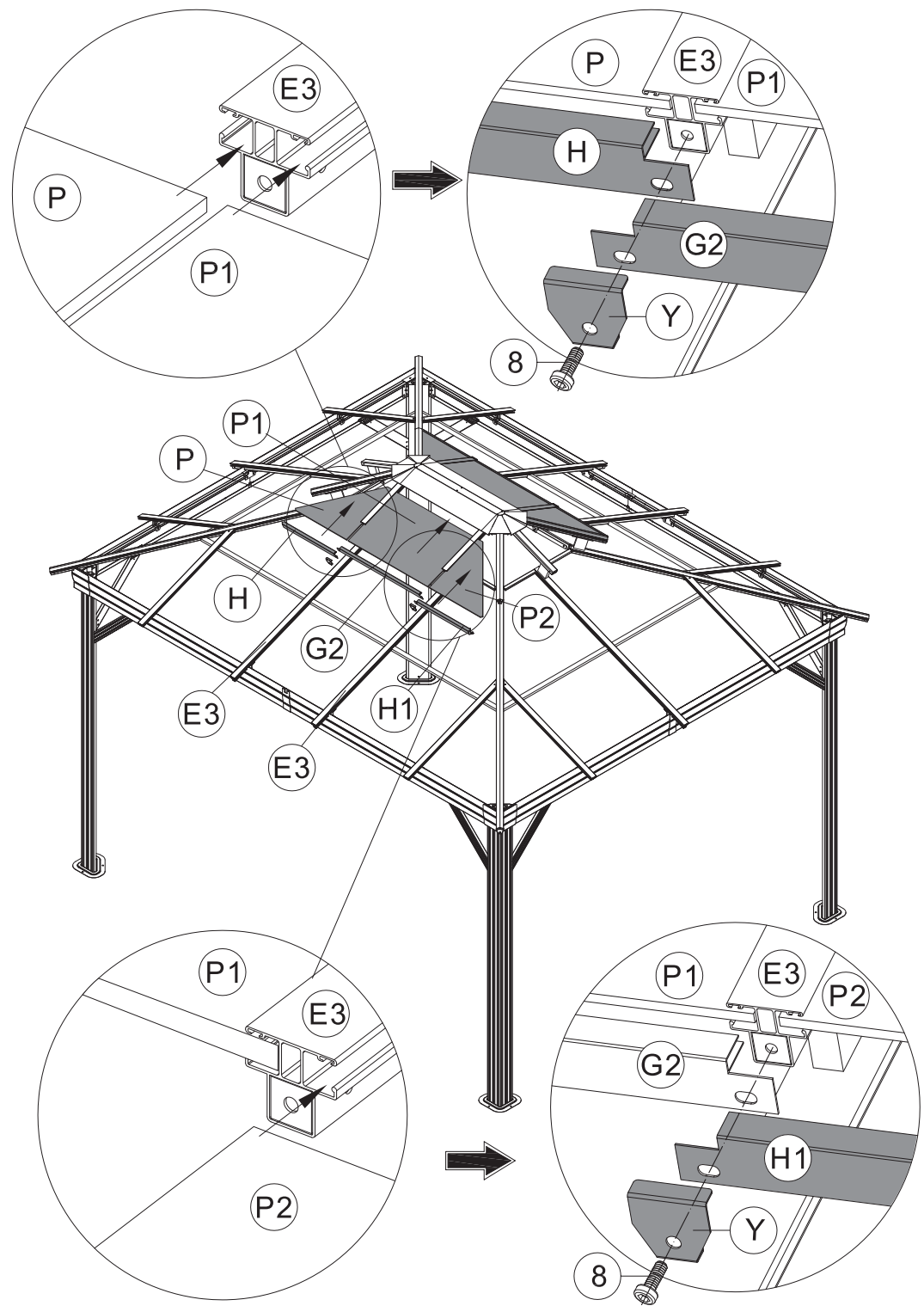
# ASSEMBLE ROOF PANELS:



-  P 2x
-  P1 2x
-  P2 2x
-  G2 2x
-  H 2x
-  H1 2x
-  Y 4x
-  S4
-  1 1x  
M6x16
-  8 4x

(1) Insert Part #P and Part #P1 into the top roof.

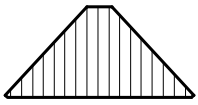
(2) Place Part #H and Part #G2 on Part #E3; put on Part #Y and secure with Bolt #8.



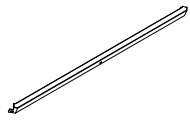
(3) Insert Part #P2 into the top roof.

(4) Place Part #H1 and Part #G2 on Part #E3; put on Part #Y and secure with Bolt #8.

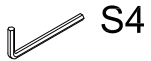
(5) Repeat these procedures to assemble the another side.



P3 2x



H2 2x



S4

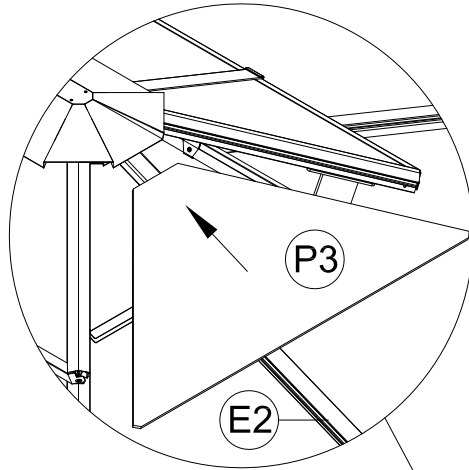
1 1x



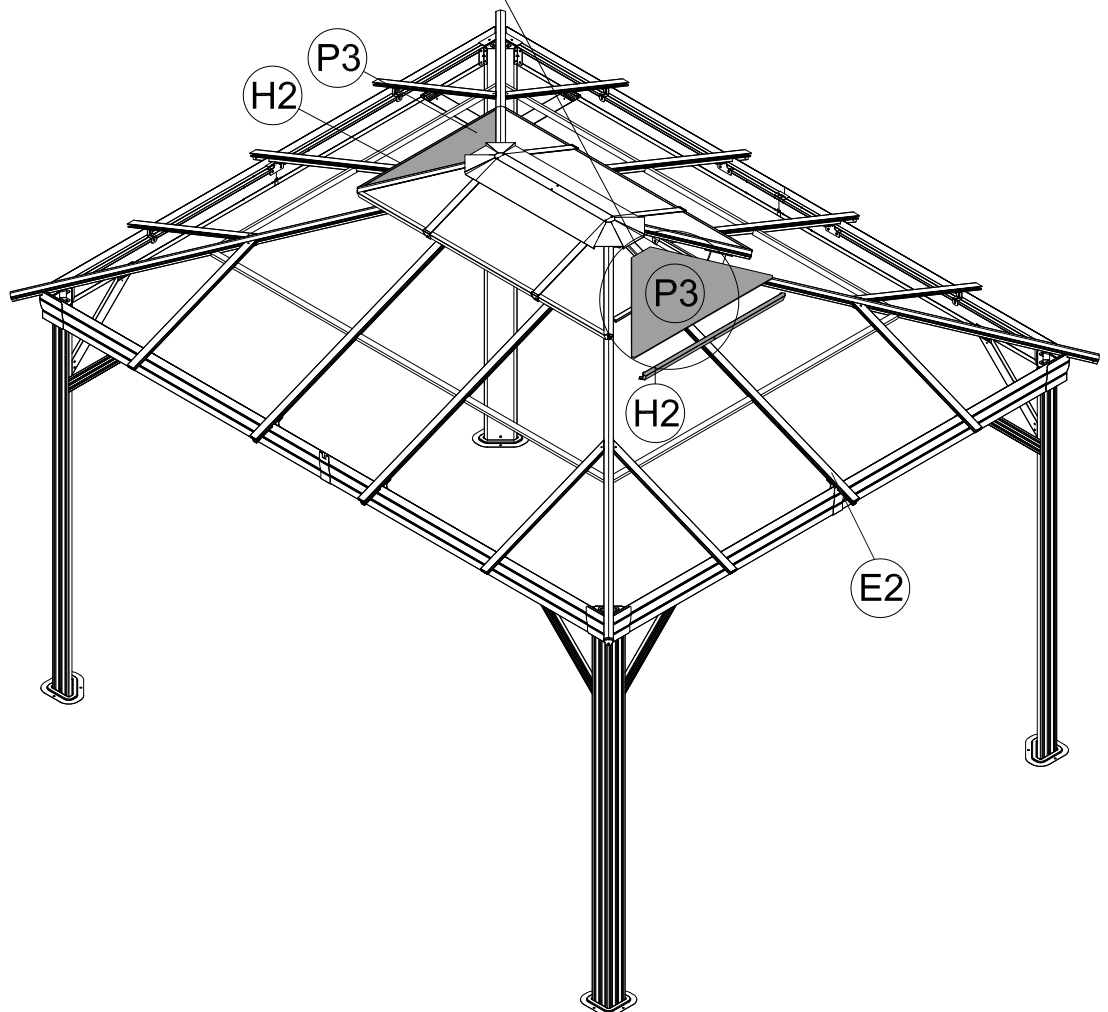
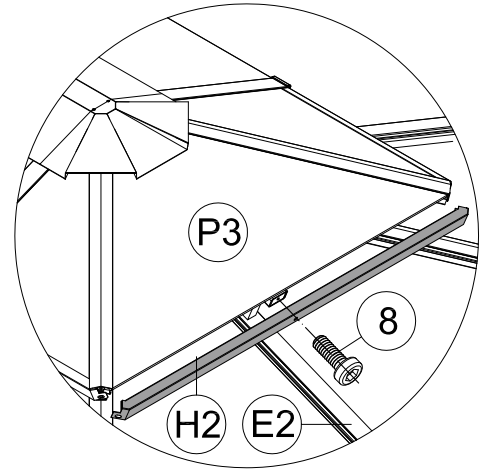
M6x16

8 2x

(1) Insert Part #P3 into the top roof.



(2) Place Part #H2 on Part #E2, securing with Bolt #8.



(3) Repeat these procedures to assemble the another side.



Y1 4x



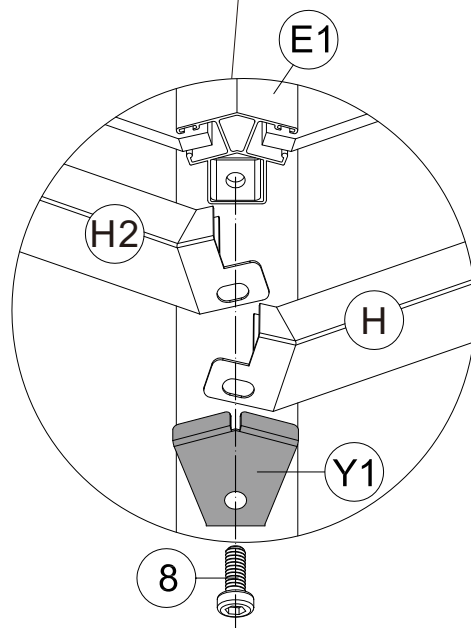
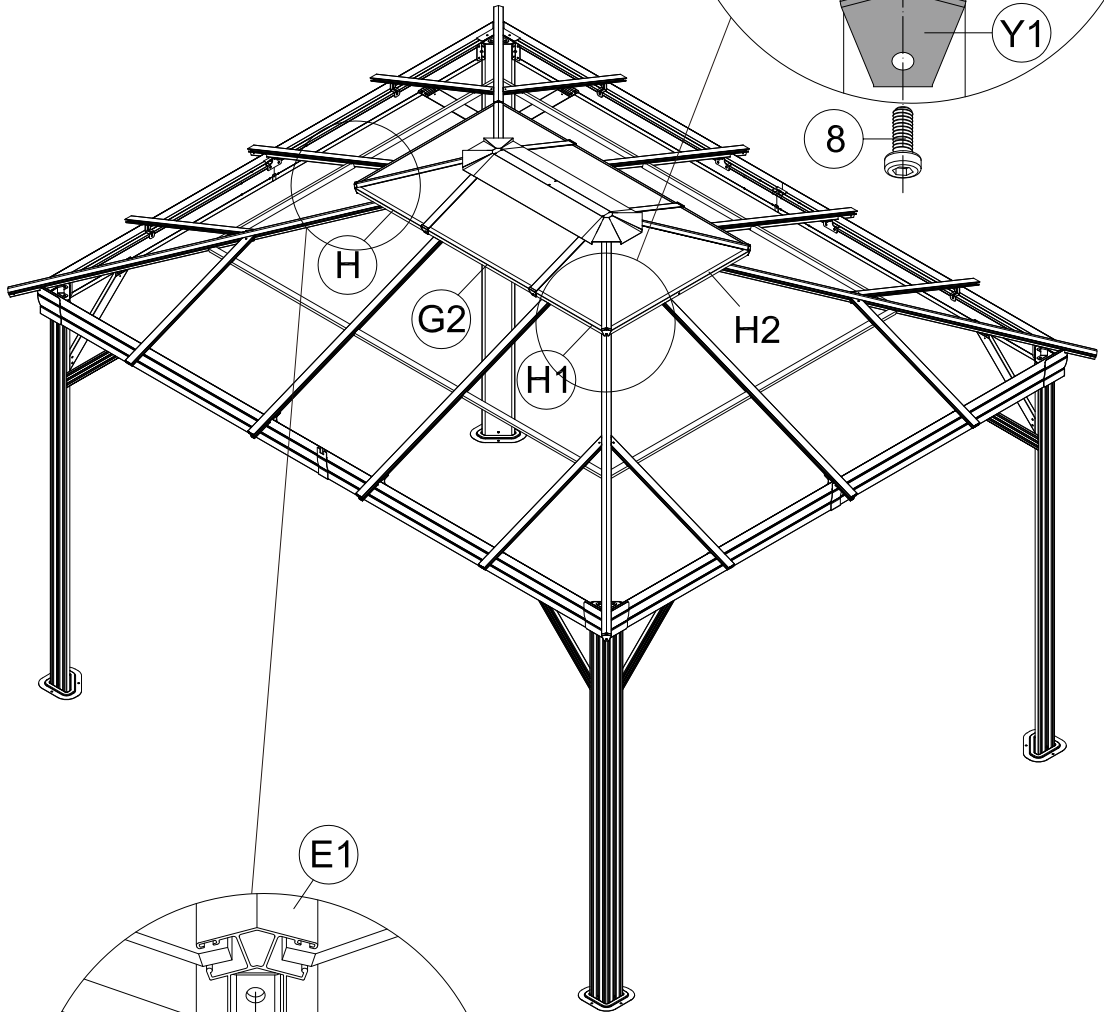
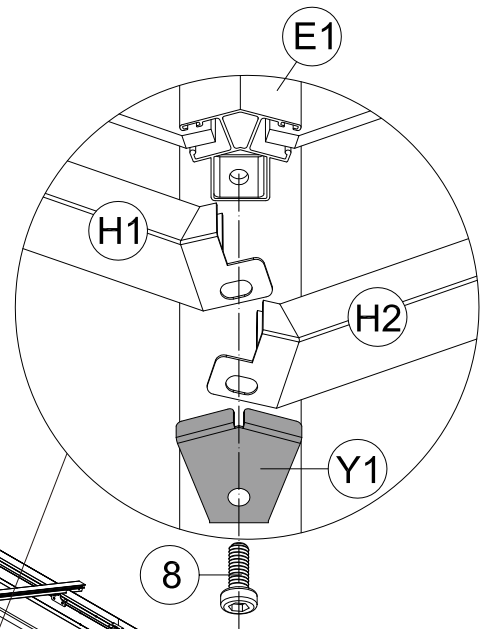
1 1x



M6x16

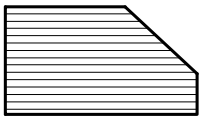
8 4x

(1) Place Part #H1 and Part #H2 on Part #E1; put on Part #Y1 and secure with Bolt #8.

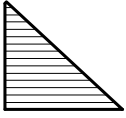


(2) Place Part #H and Part #H2 on Part #E1; put on Part #Y1 and secure with Bolt #8.

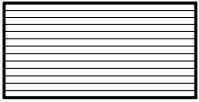
(3) Repeat these procedures to assemble the another side.



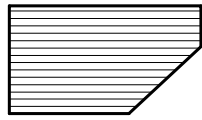
L 2x



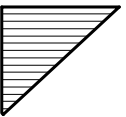
L1 2x



M 2x

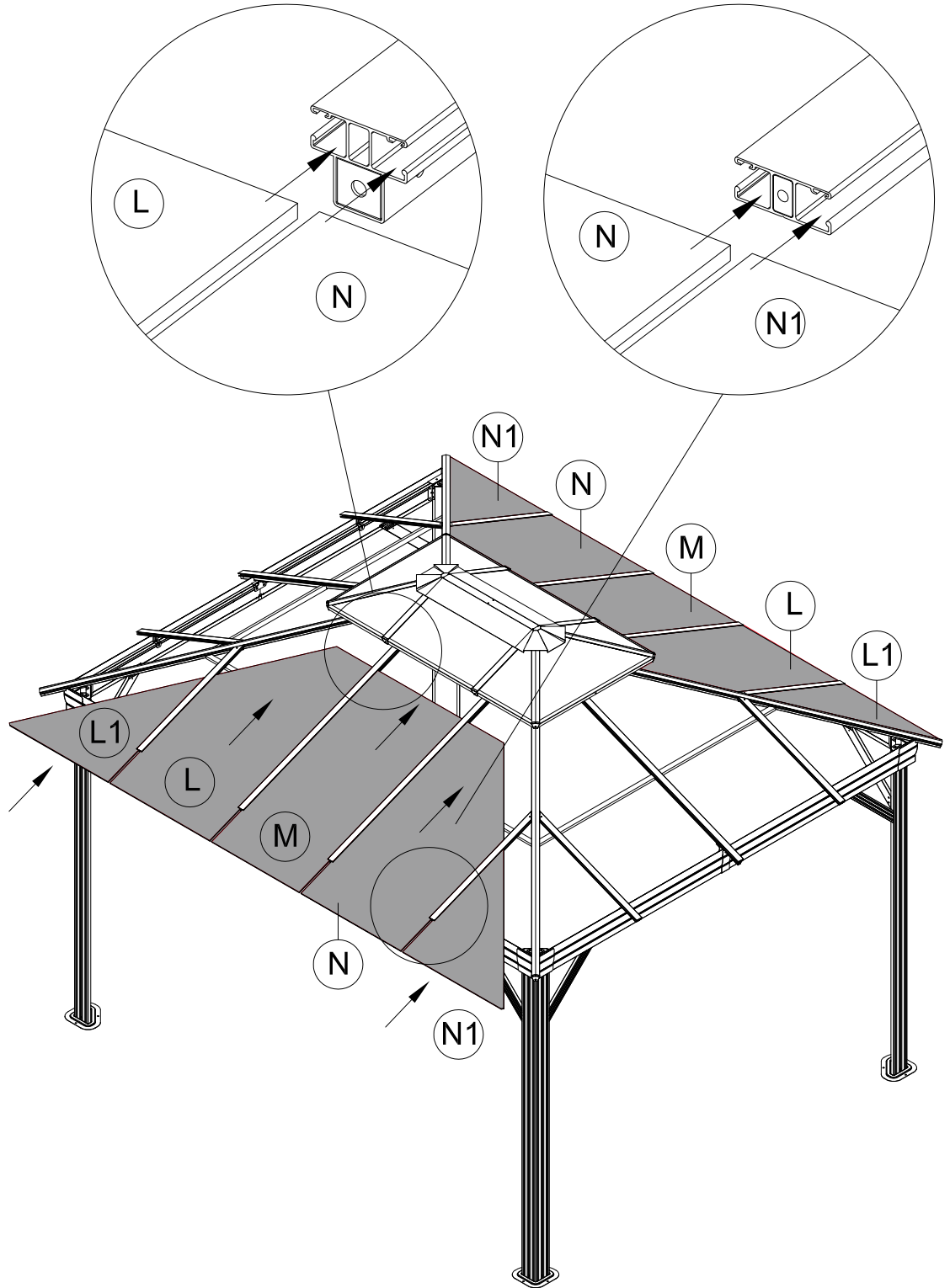


N 2x



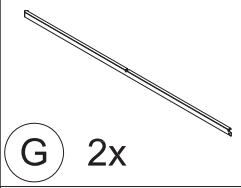
N1 2x

(1) Insert Roof Panels into the frame (L1&L&M&N&N1).

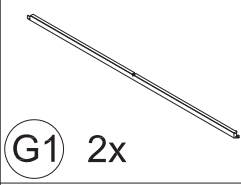


(2) Repeat these procedures to assemble the another side.

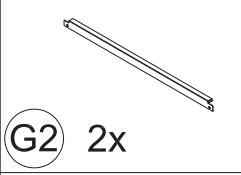




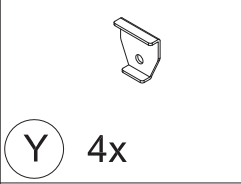
G 2x



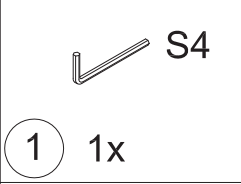
G1 2x



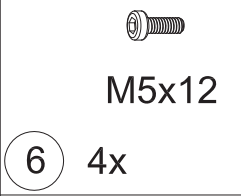
G2 2x



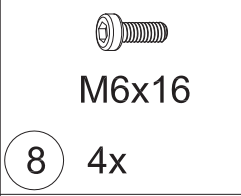
Y 4x



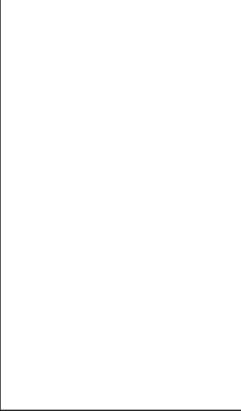
S4 1x



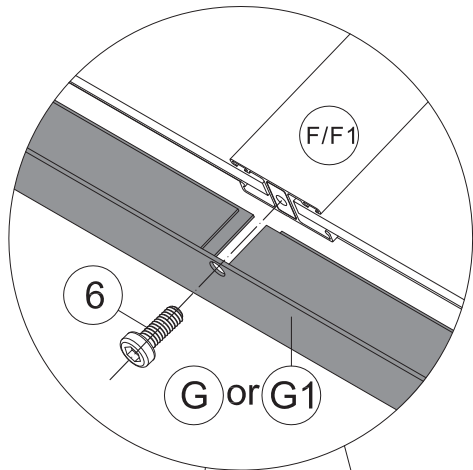
6 4x



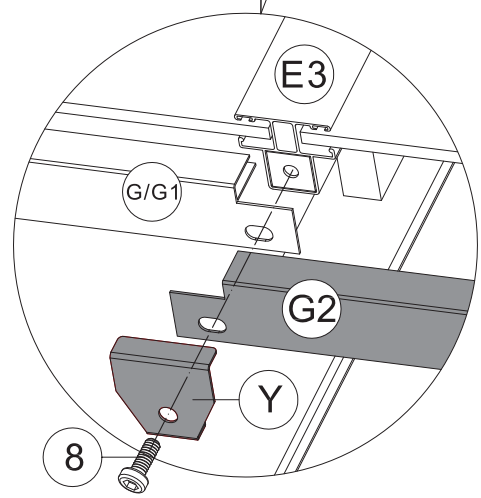
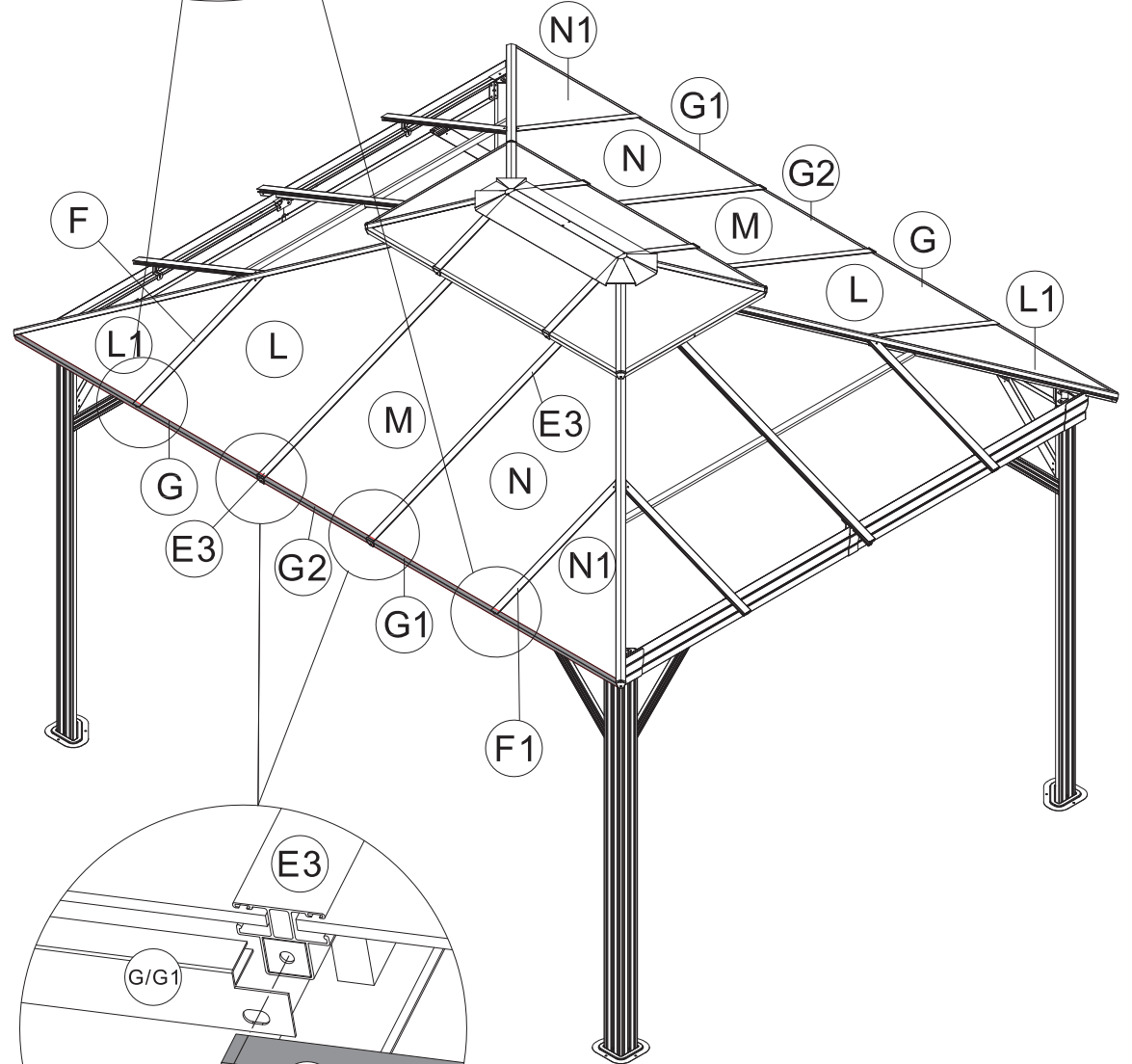
8 4x



31

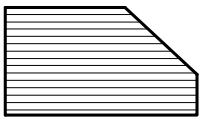


(1) Attach Part #G/G1 to the frame, securing with Bolt #6.

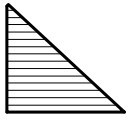


(2) Place Part #G2 on Part #G/G1 and Part #E3; put on Part #Y and secure with Bolt #8.

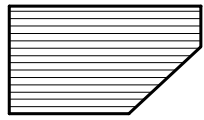
(3) Repeat these procedures to assemble the another side.



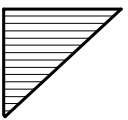
L 2x



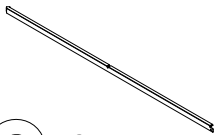
L1 2x



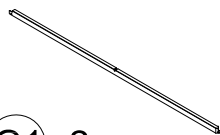
N 2x



N1 2x



G 2x



G1 2x



S4

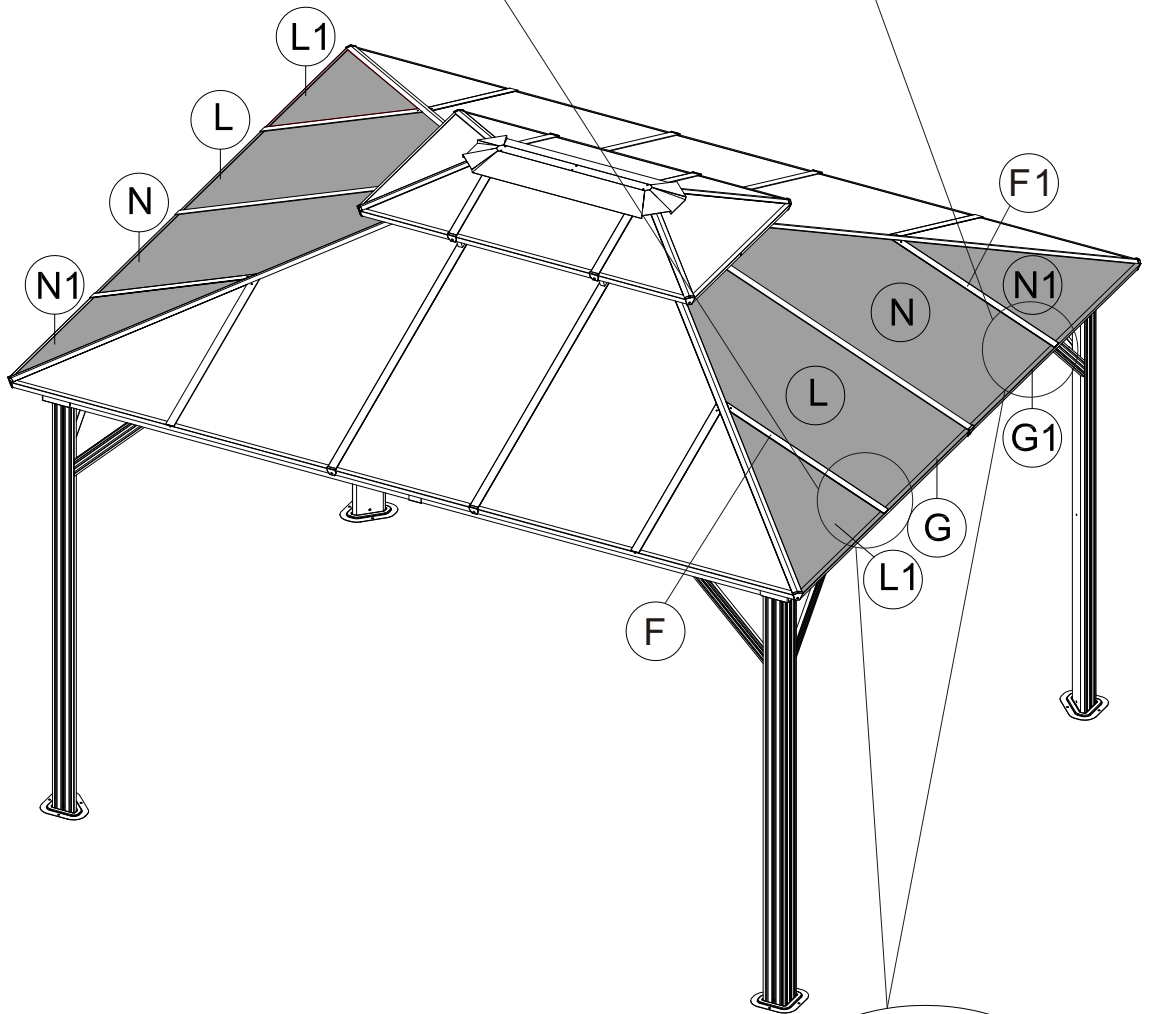
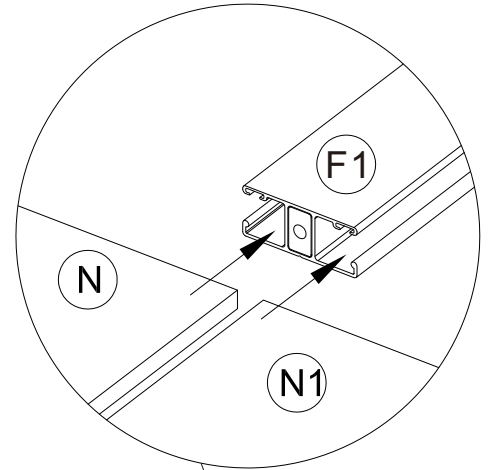
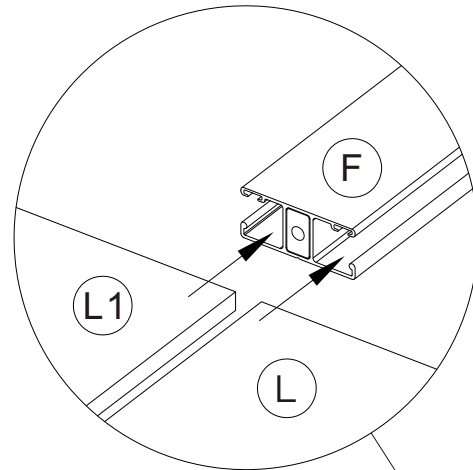
1 1x



M5x12

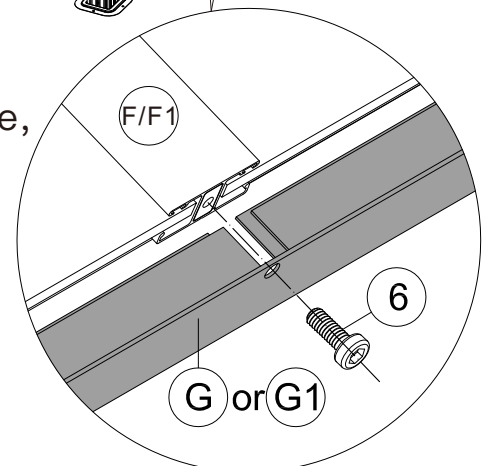
6 4x

(1) Insert Roof Panels into the frame(L1&L&N&N1).



(2) Attach Part #G/G1 to the frame, securing with Bolt #6.

(3) Repeat these procedures to assemble the another side.





Y 2x



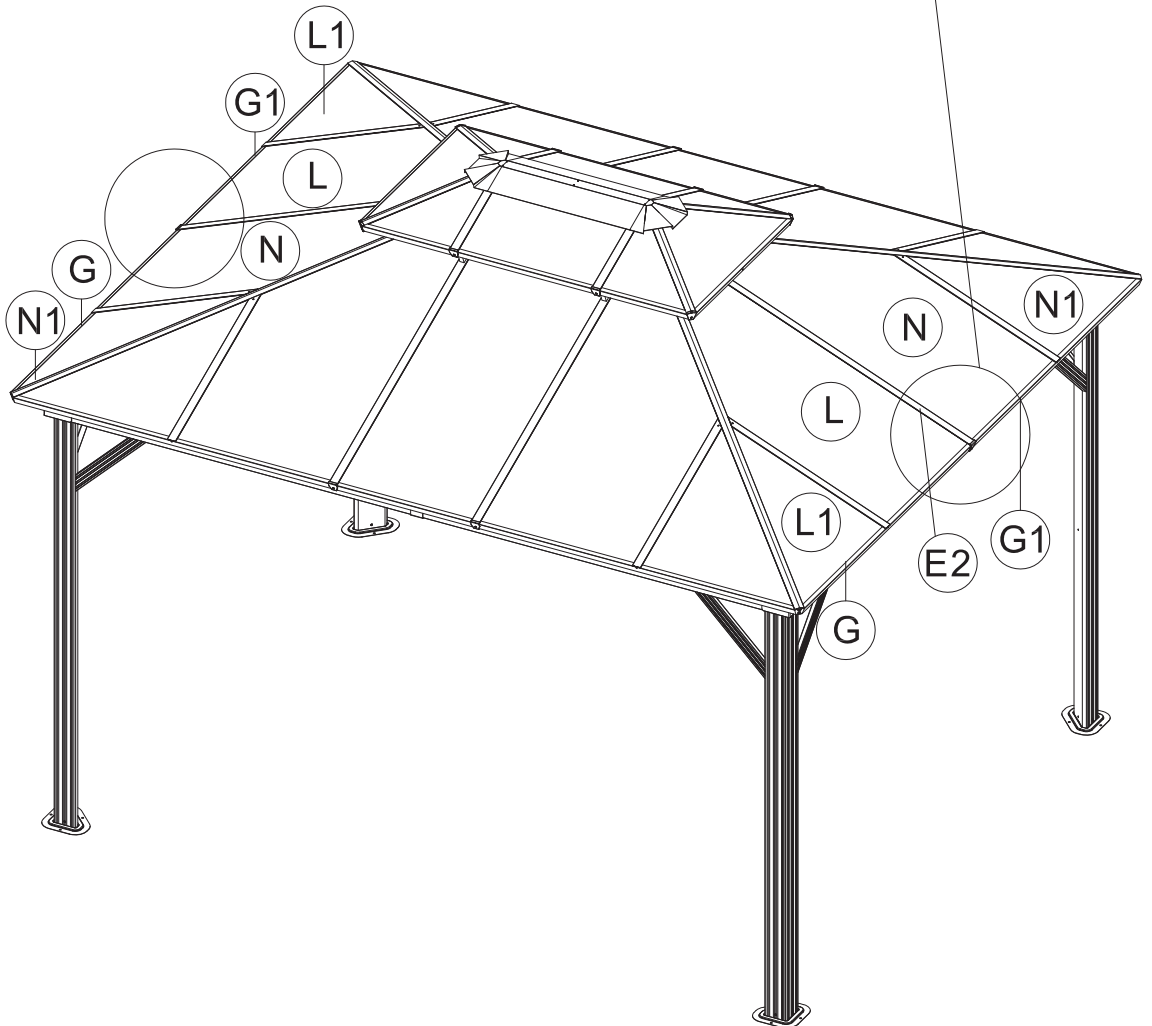
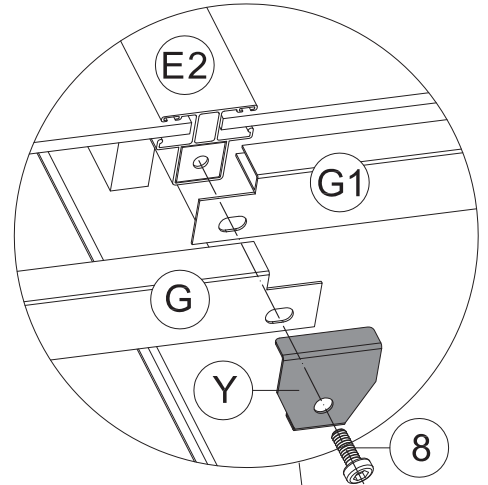
1 1x



M6x16

8 2x

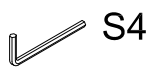
(1) Place Part #G and Part #G1 on Part #E2;  
put on Part #Y and secure with Bolt #8.



(2) Repeat these procedures to assemble the another side.



Y1 4x

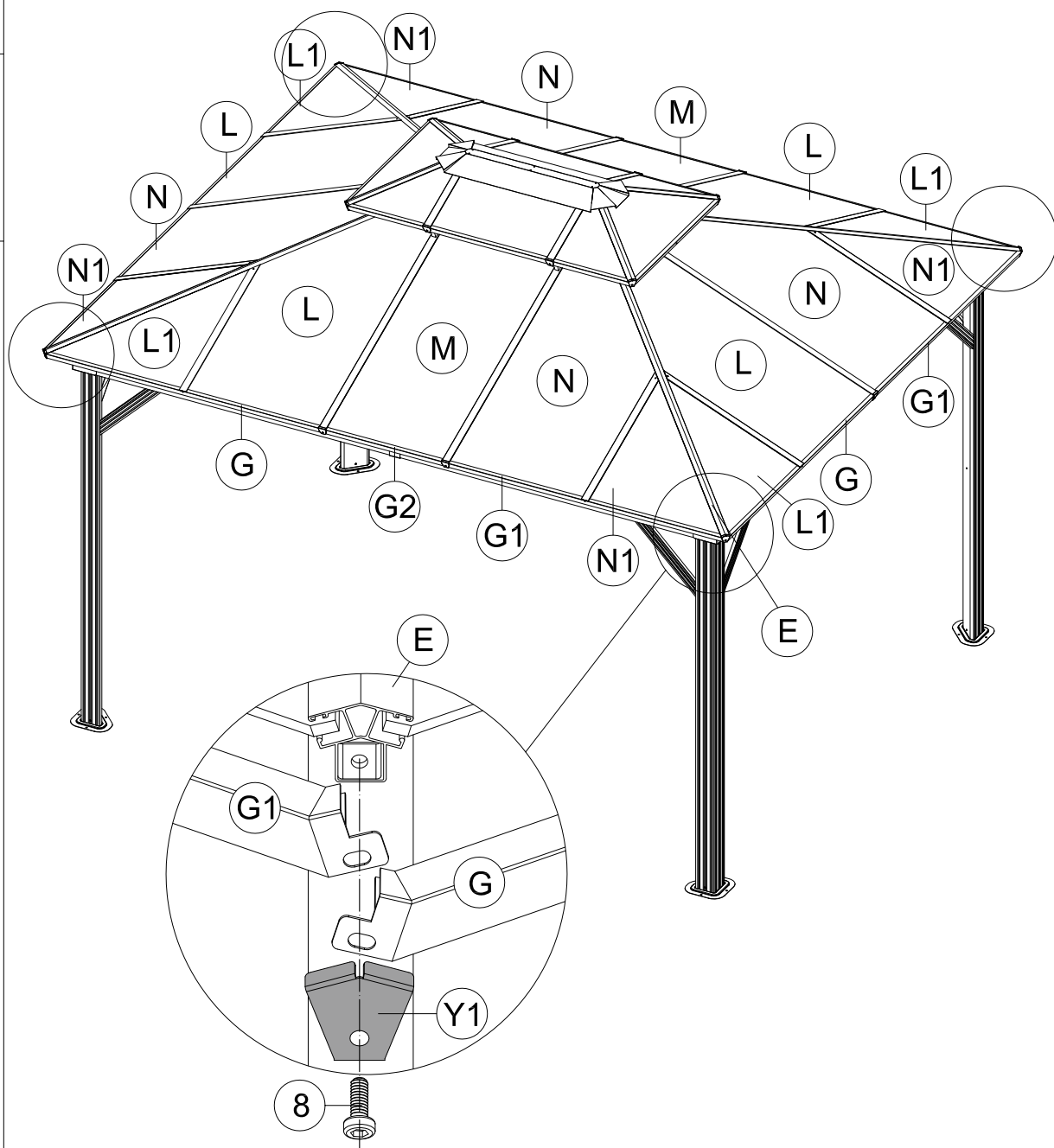


1 1x



M6x16

8 4x



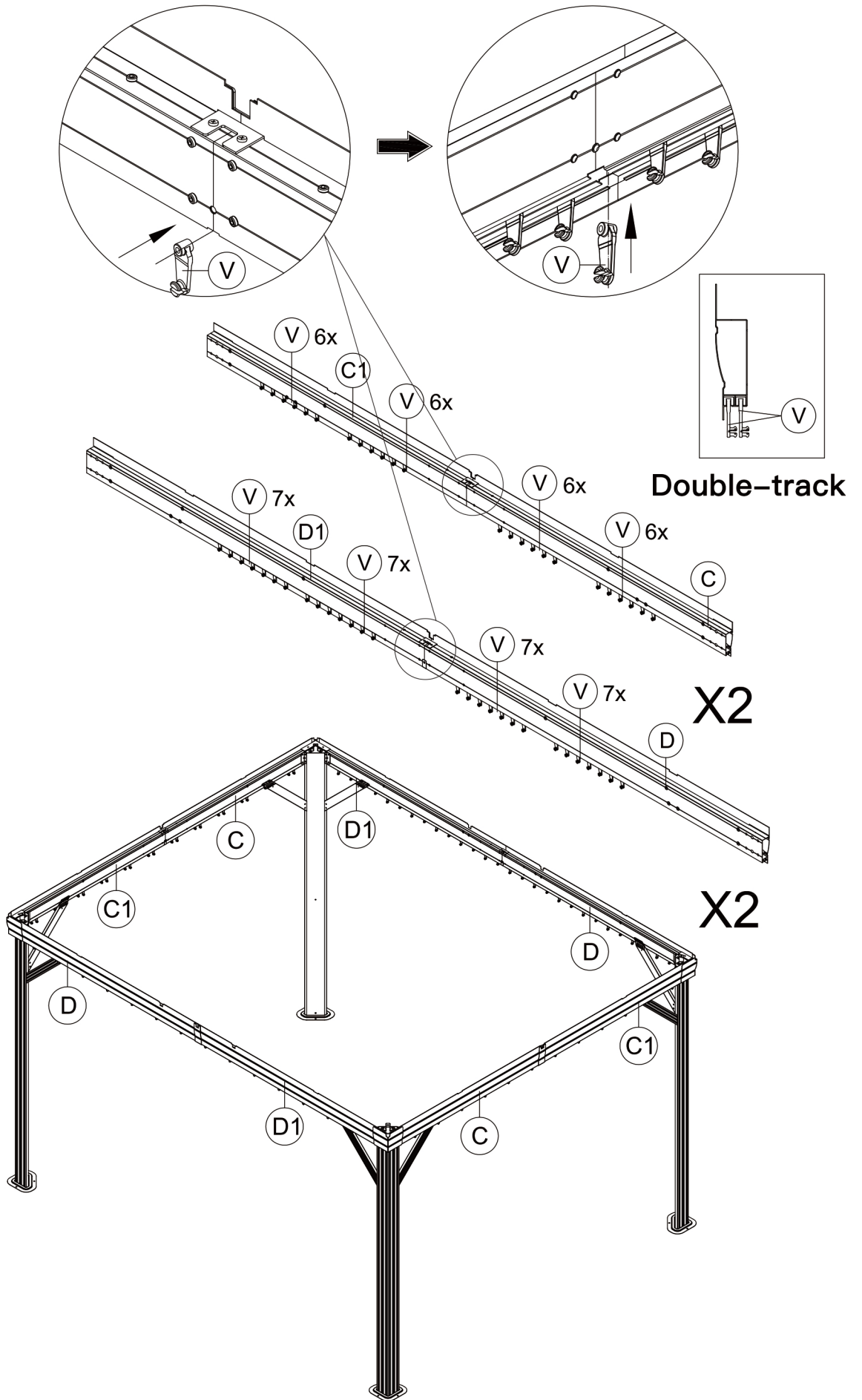
(1) Place Part #G and Part #G1 on Part #E; put on Part #Y1 and secure with Bolt #8.

(2) Repeat these procedures to assemble the other 3 corners.



- (1) Place 6 hooks on each slot of the Sidewall Track (C&C1).
- (2) Place 7 hooks on each slot of the Sidewall Track (D&D1).

V 104x





W 4x



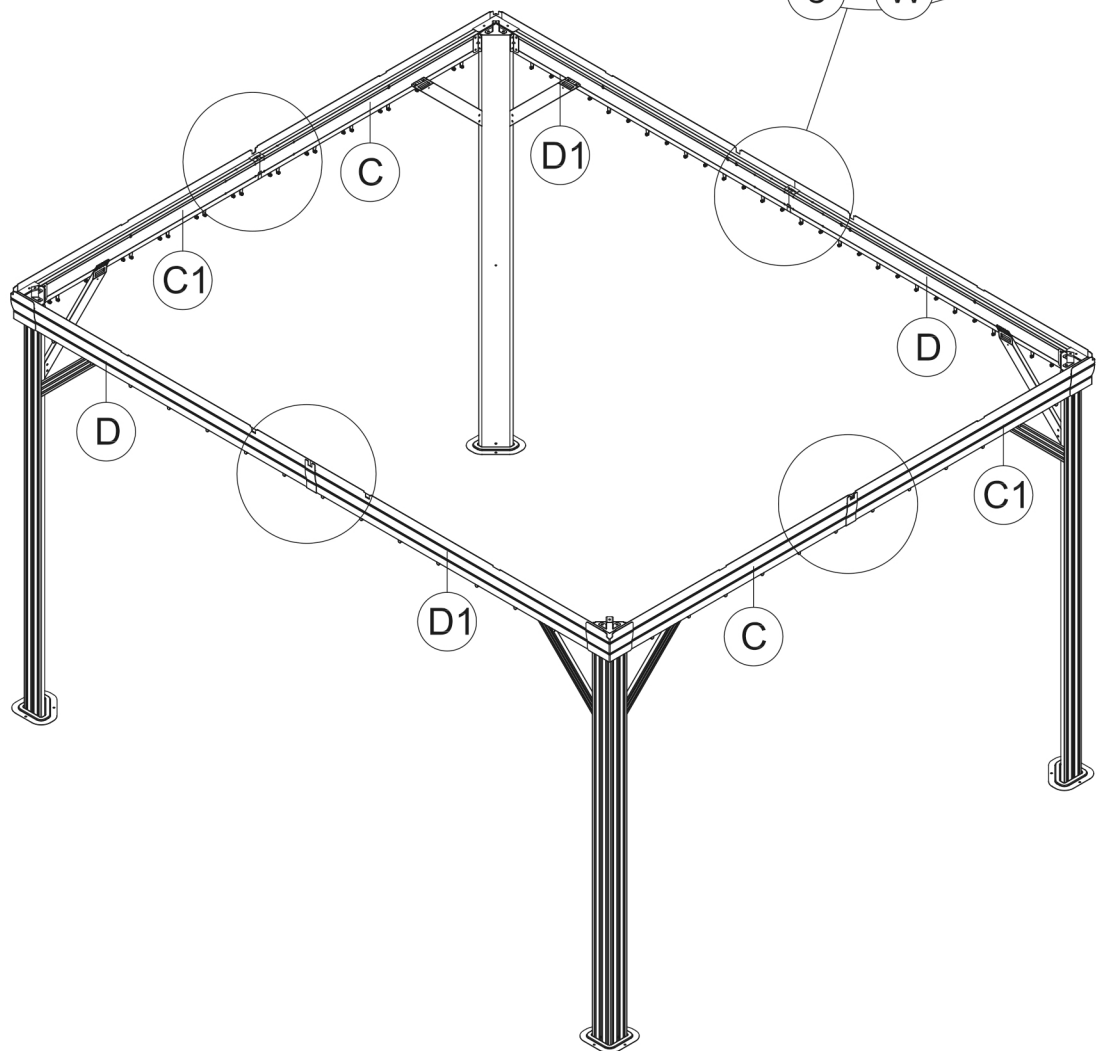
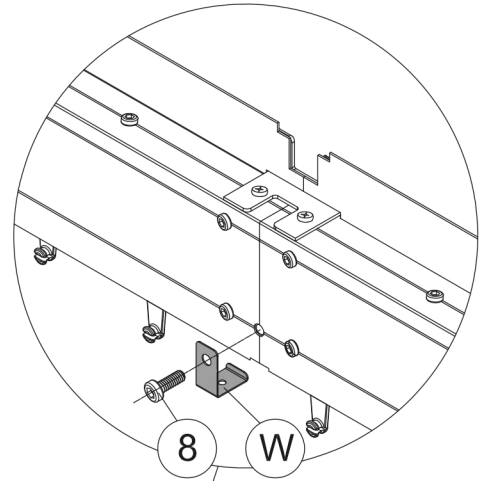
1 1x



M6x16

8 4x

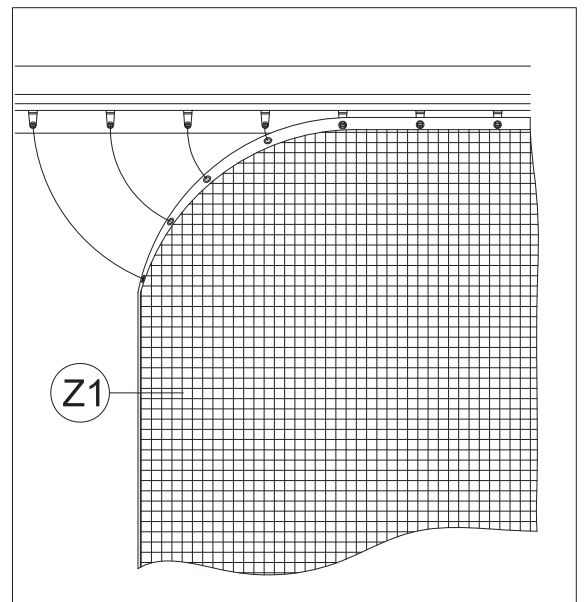
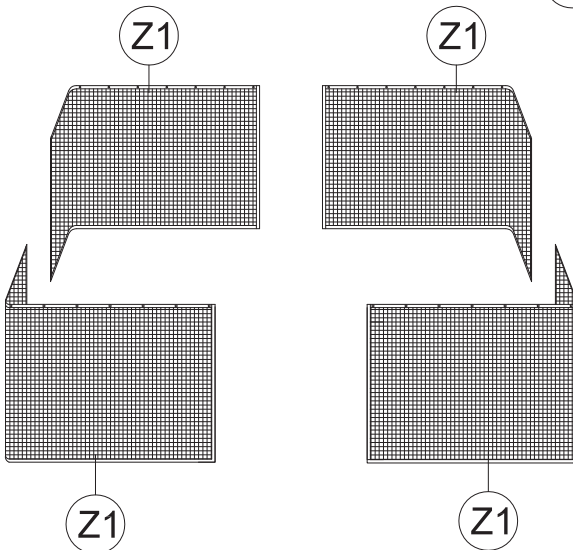
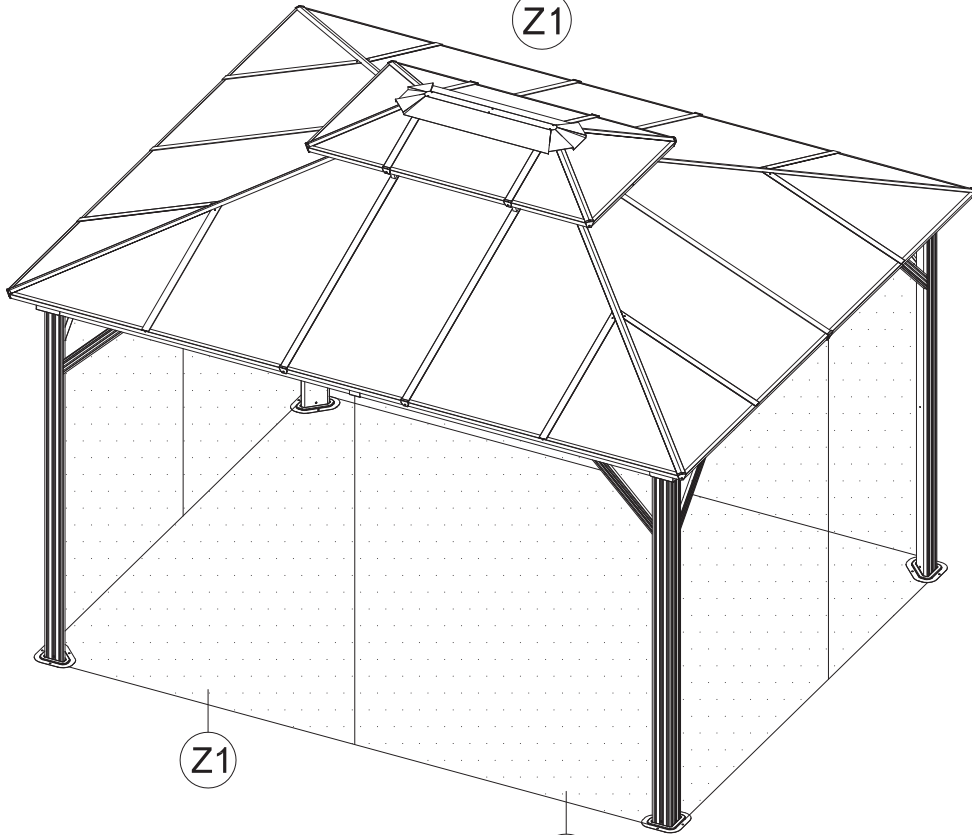
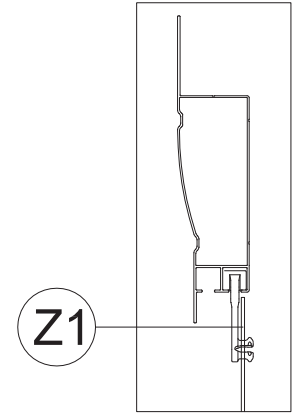
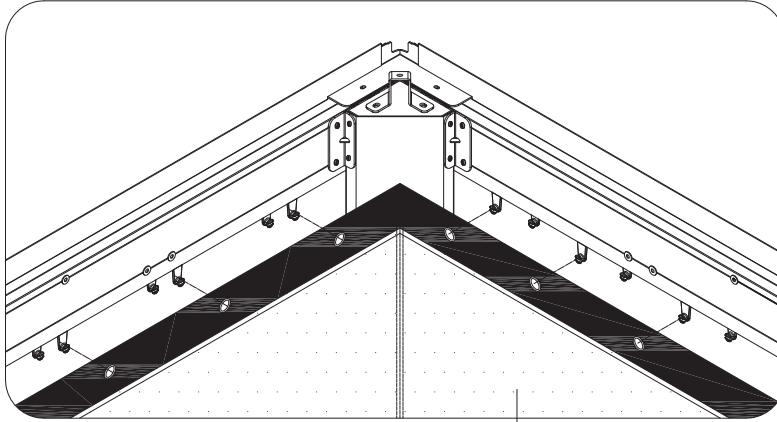
- (1) Install Part #W at the joint of Part C&C1 with Bolts #8; install Part #W at the joint of Part D&D1 with Bolts #8.
- (2) Repeat the above procedures to assemble another side.

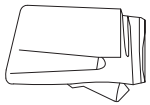




Hang up mosquito sidewalls to inside track.

Z1 4x





# Hang up mosquito sidewalls to outside track.

Z 4x

