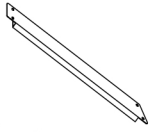
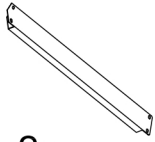


E 2x



E1 2x



E2 2x



M6x16

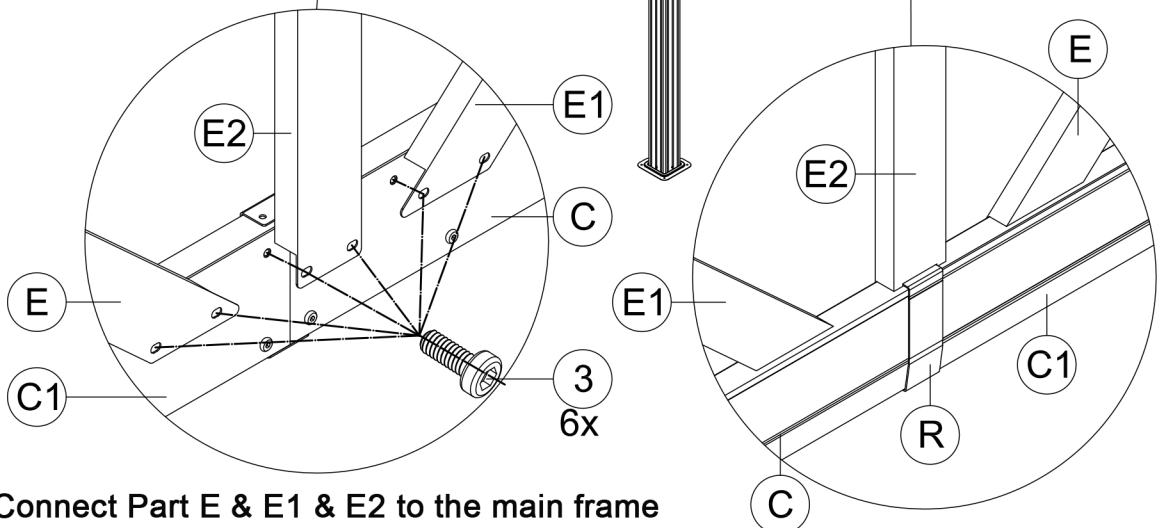
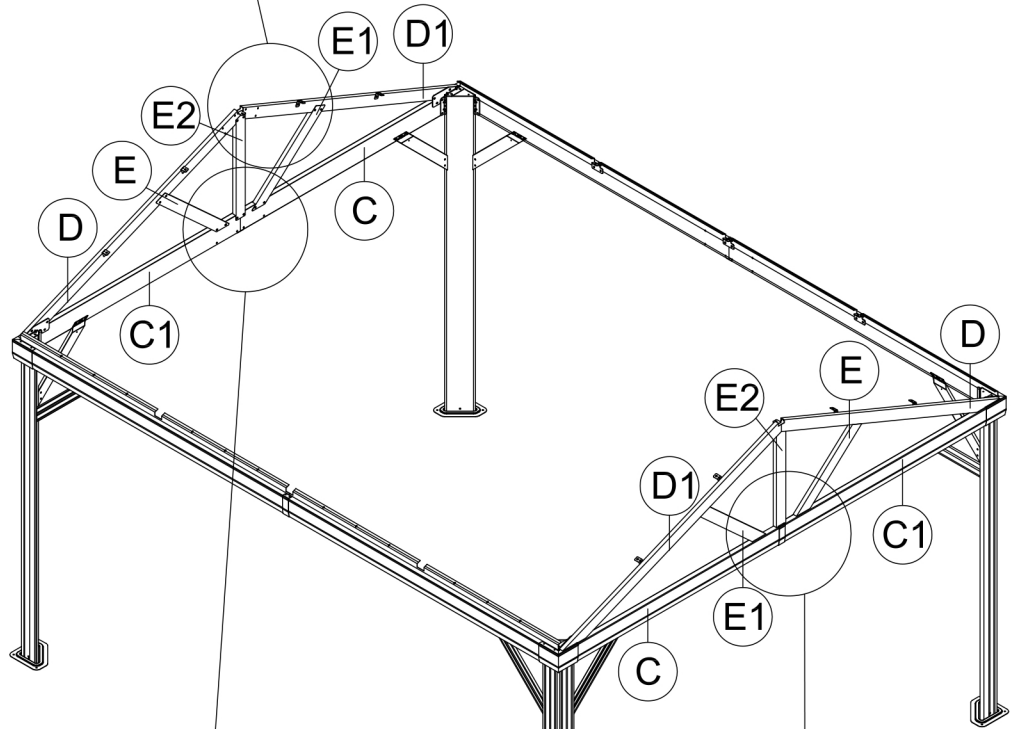
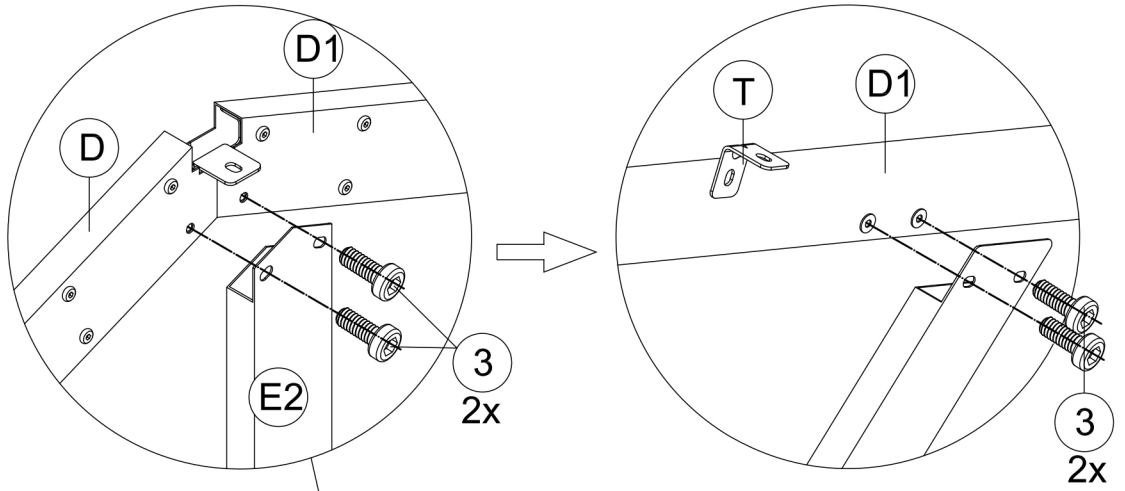
3 24x

S4



10 1x

<9> Connect Part E2 to the Support Bar (Part D & D1) using screws #3 just as shown in the diagram.



Connect Part E & E1 & E2 to the main frame (Part C1 & C) using screws #3 just as shown in the diagram above.

12



M6x16

3

2x

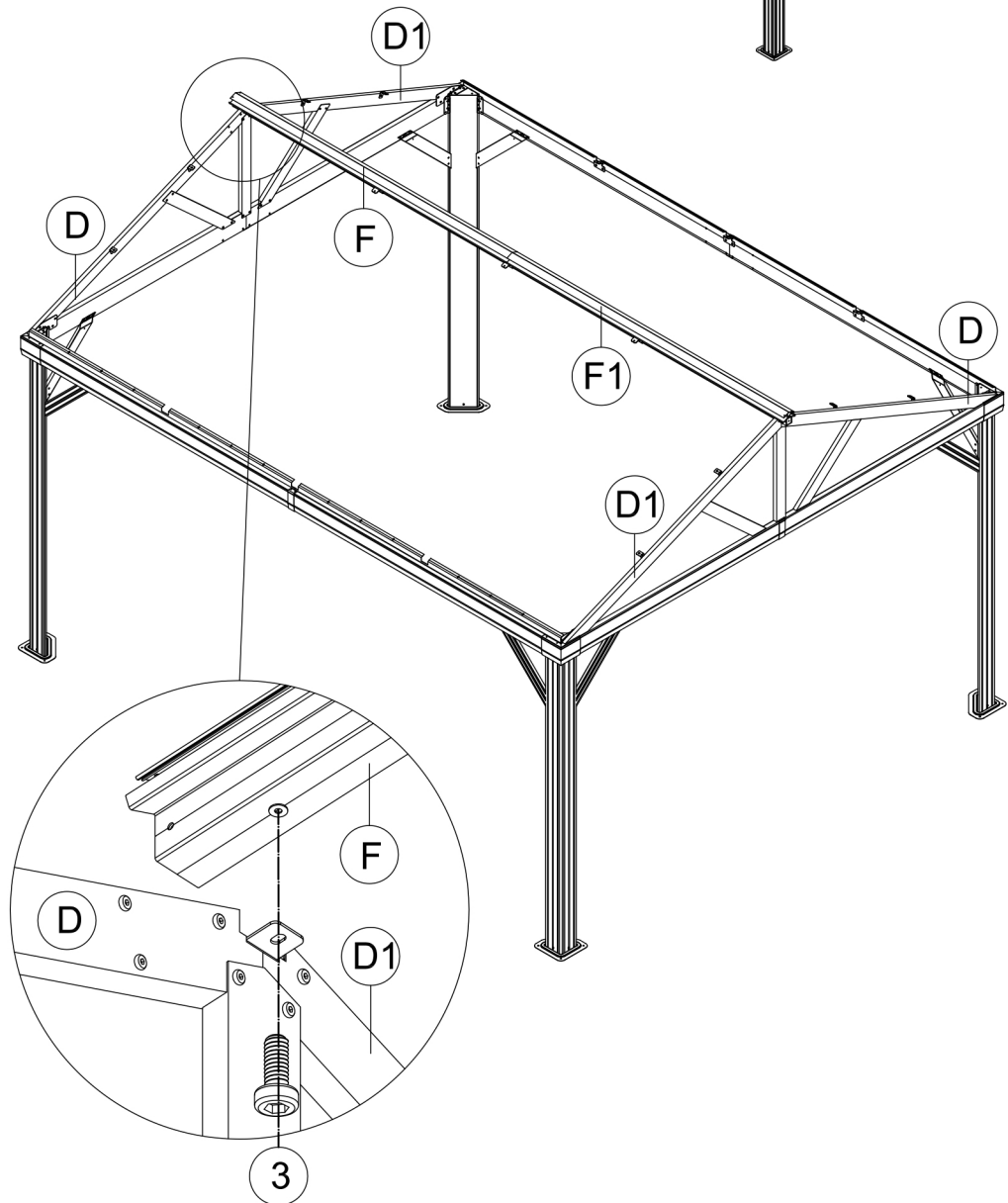
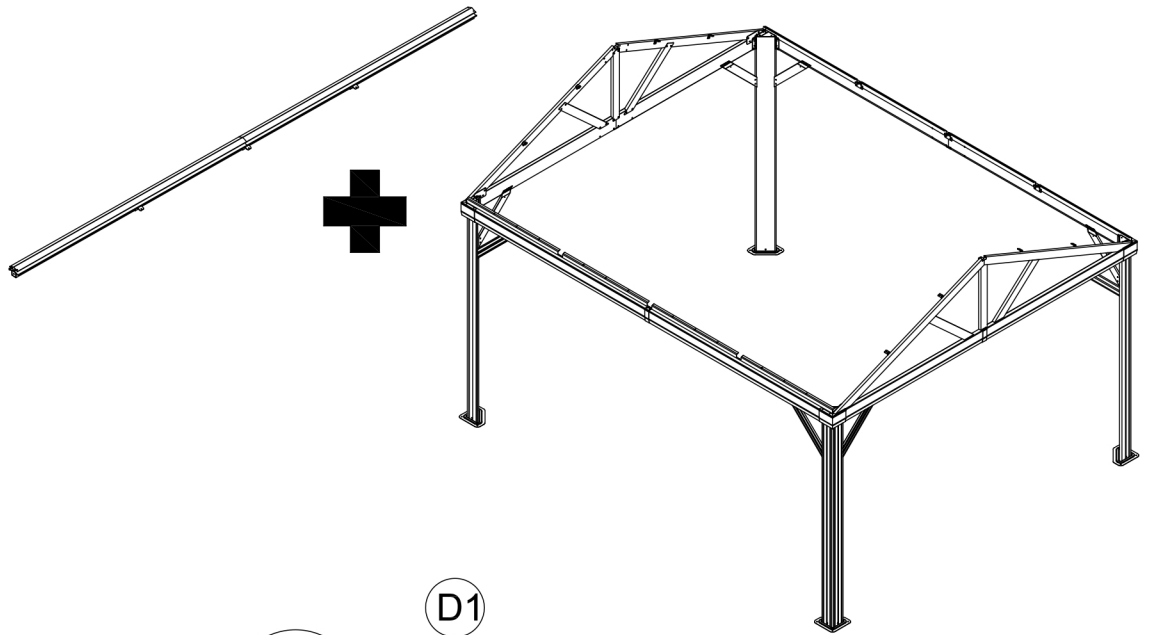
S4

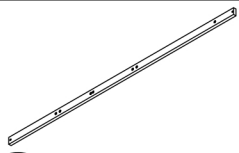


10

1x

<10> Attach Part F to the main frame using screws #3 as shown below.





H 6x



M6x10

2 6x



M6x16

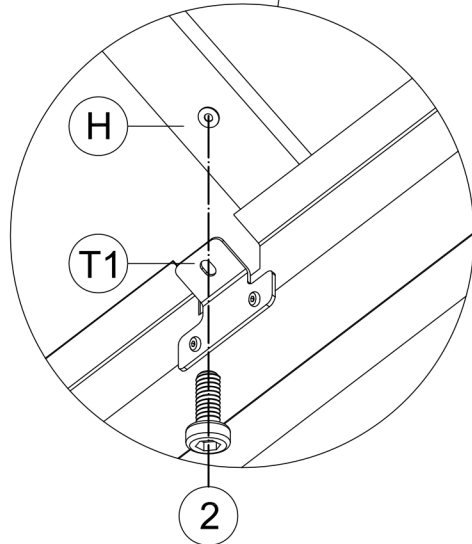
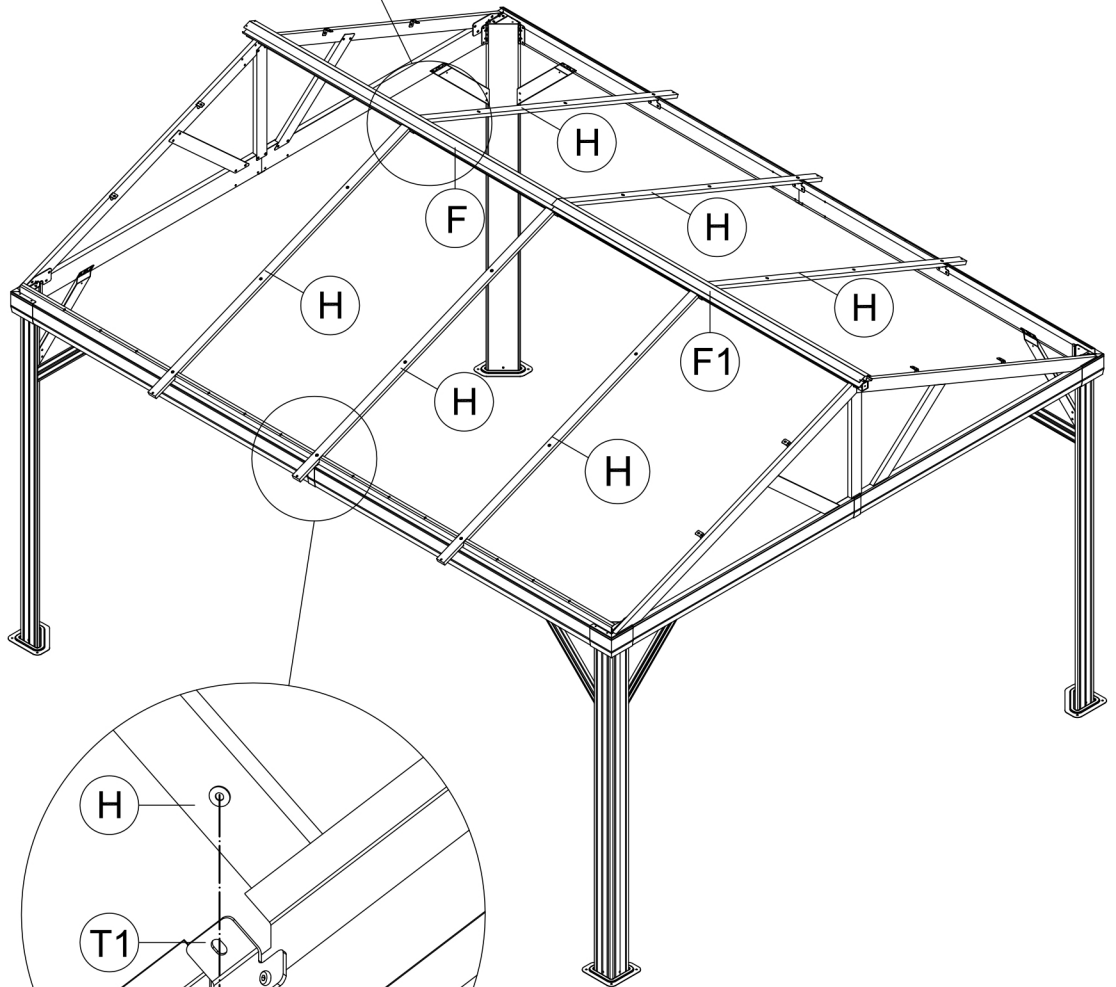
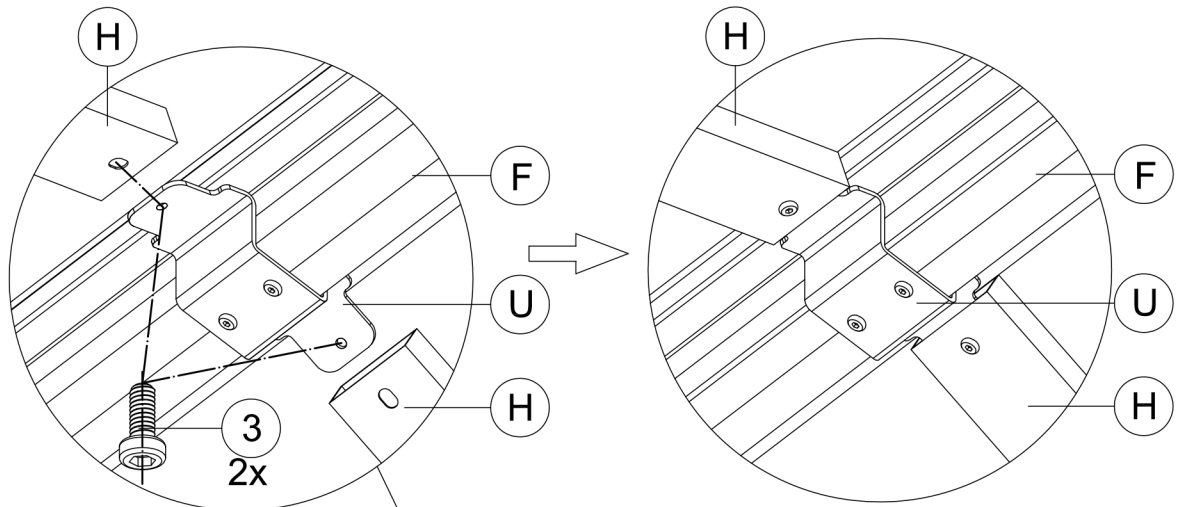
3 6x



S4

10 1x

<11> Put on Part H,F,U,H and screws #3 (2 PCS) just as shown in the diagram. Then connect 2 Parts H to Part F using Part U & screws #3.



Attach Part T1 to the Middle Beam (Part H) using screws #2.



M6x16

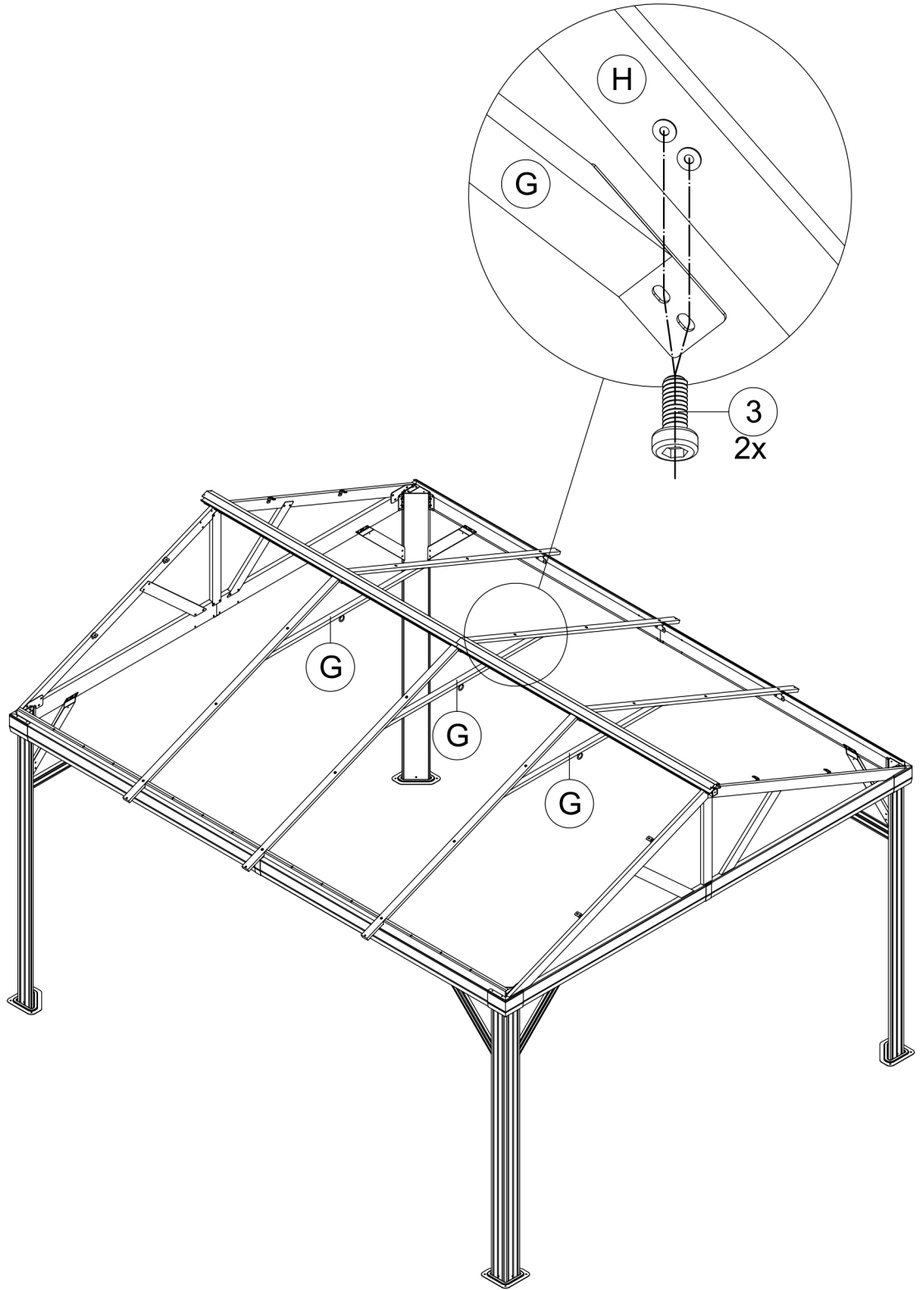
3 12x



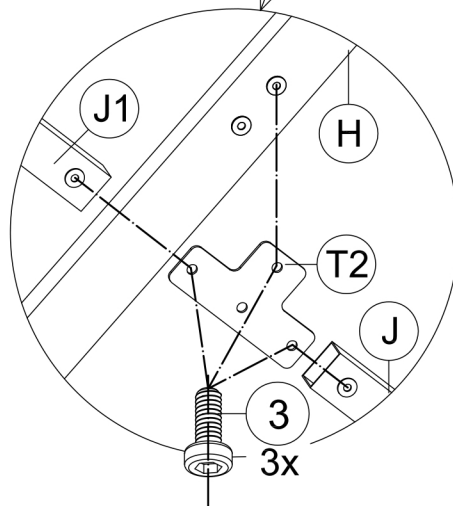
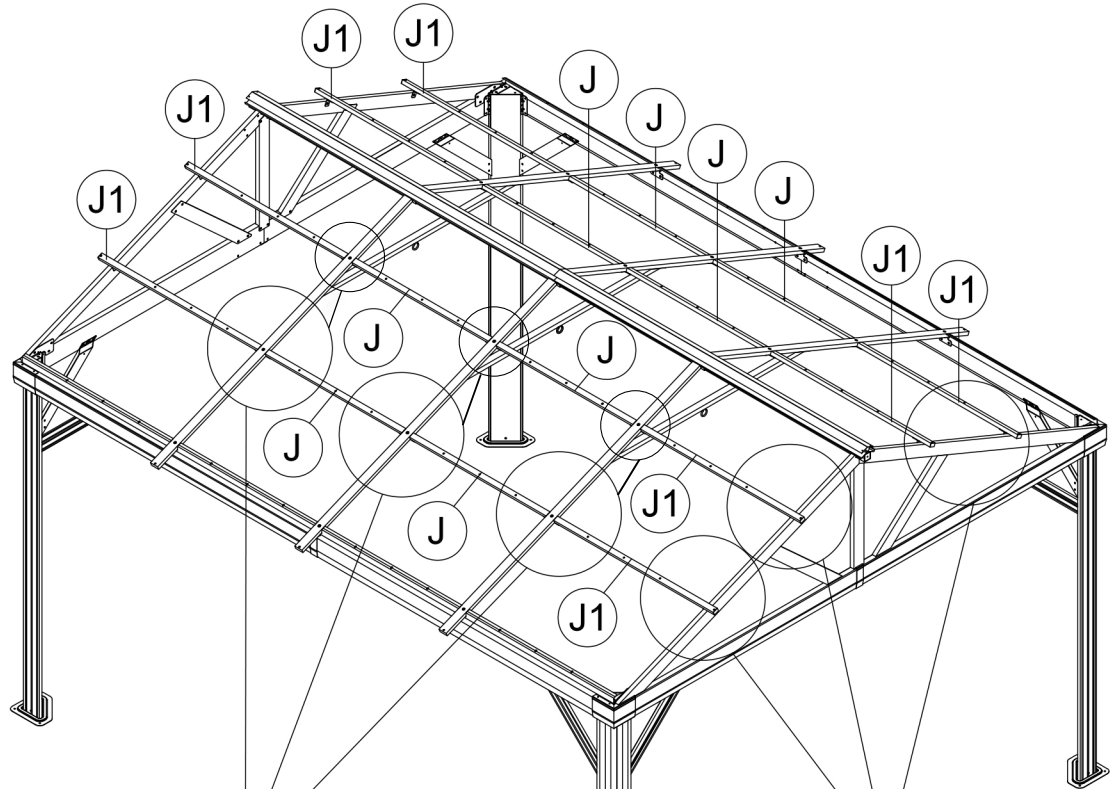
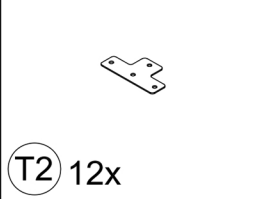
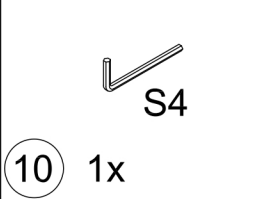
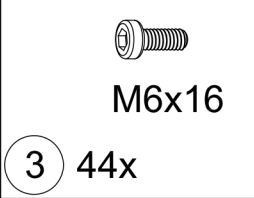
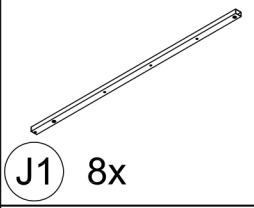
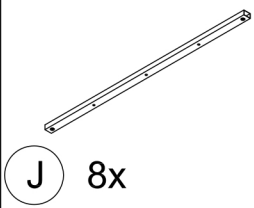
S4

10 1x

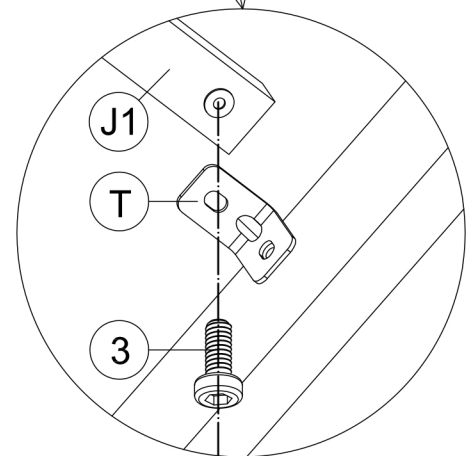
<12> Connect Part G to the Roof Support Bar (Part H) using screws #3 (2 PCS) as shown below.



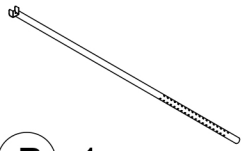
<13> ⚠ Please Note: remember to wear gloves.



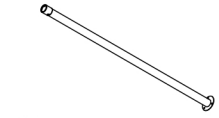
Put on Part J1,H,T2,J and screws #3 as shown above. Then connect Part J1 & J to Part H using Part T2 & screws #3(3 PCS).



Put on Part J1,T and screws #3 as shown above. Then attach Part J1 to the Corner Roof Bar (Part D & D1) using screws #3 from bottom to top through Part T.



P 1x



P1 1x

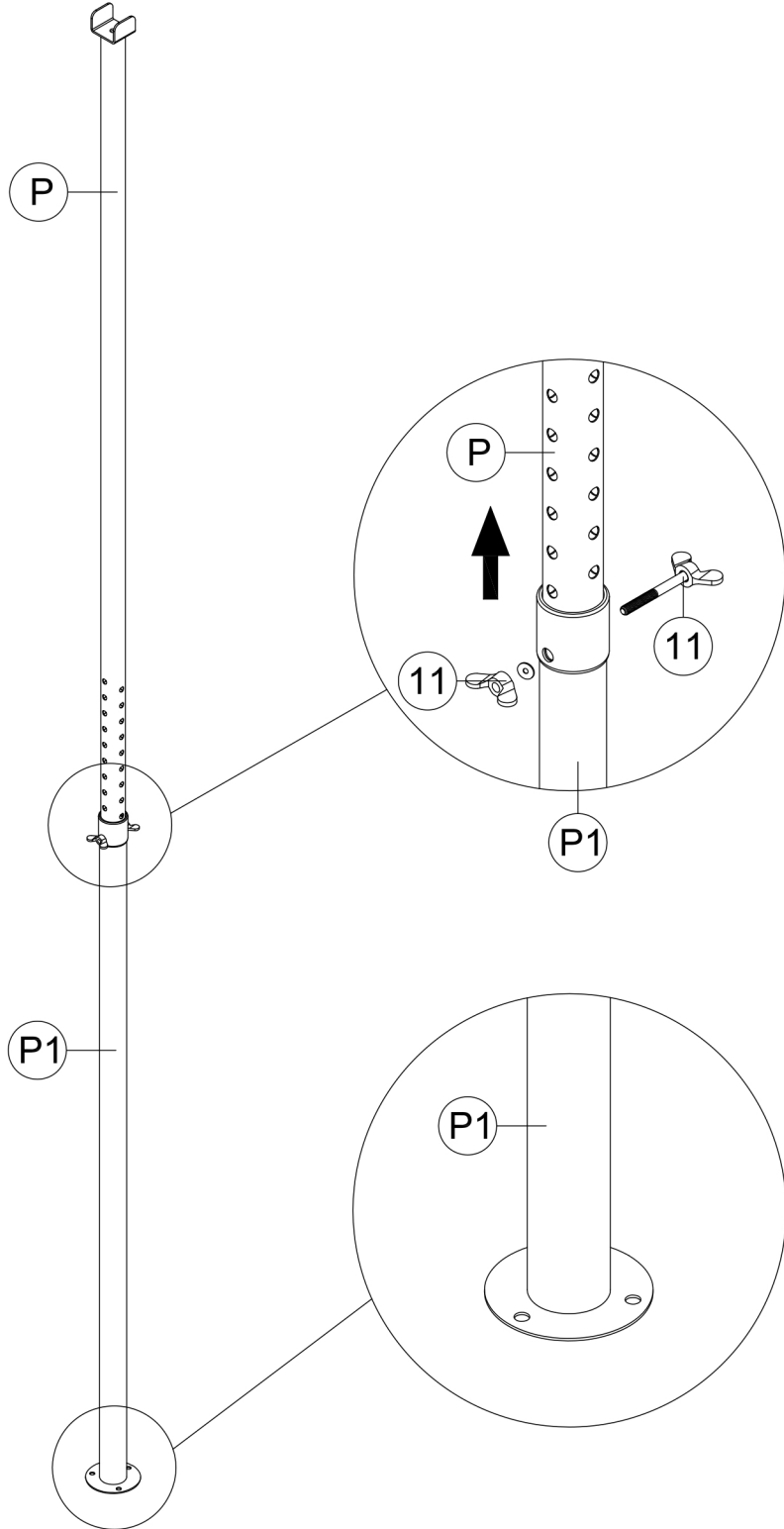


11 1x

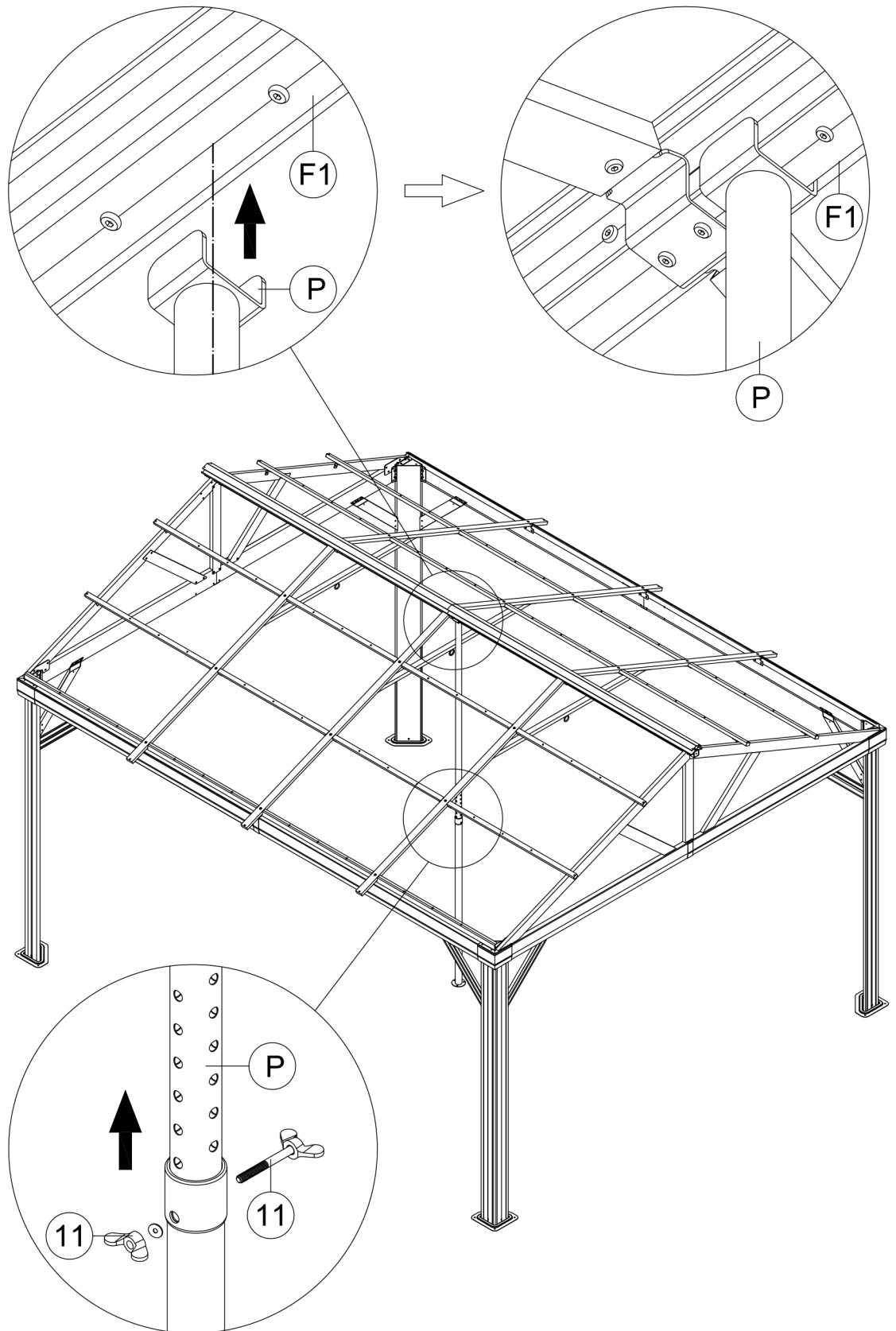
<14> Connect Part P to Part P1 using screws #11 as shown below.



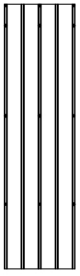
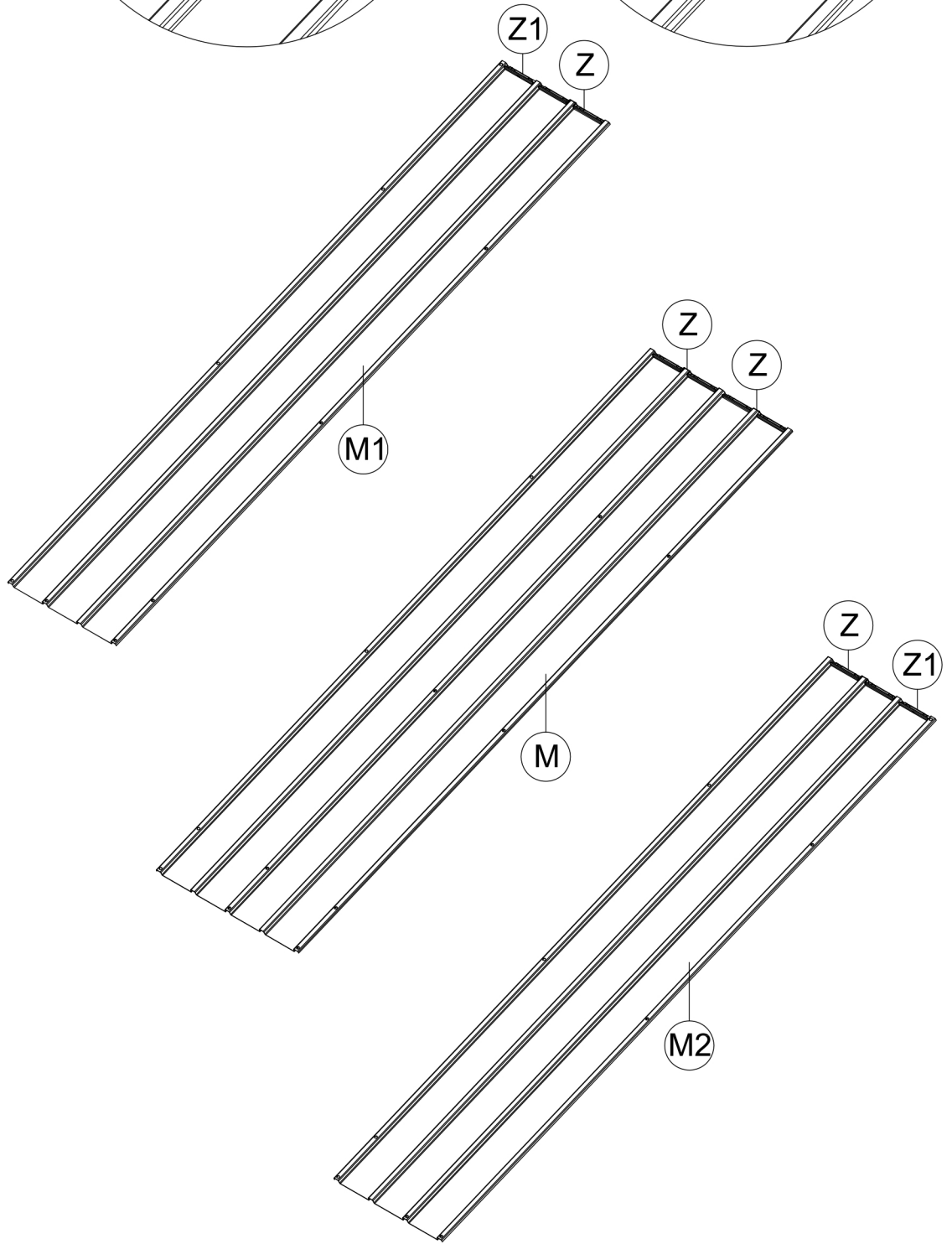
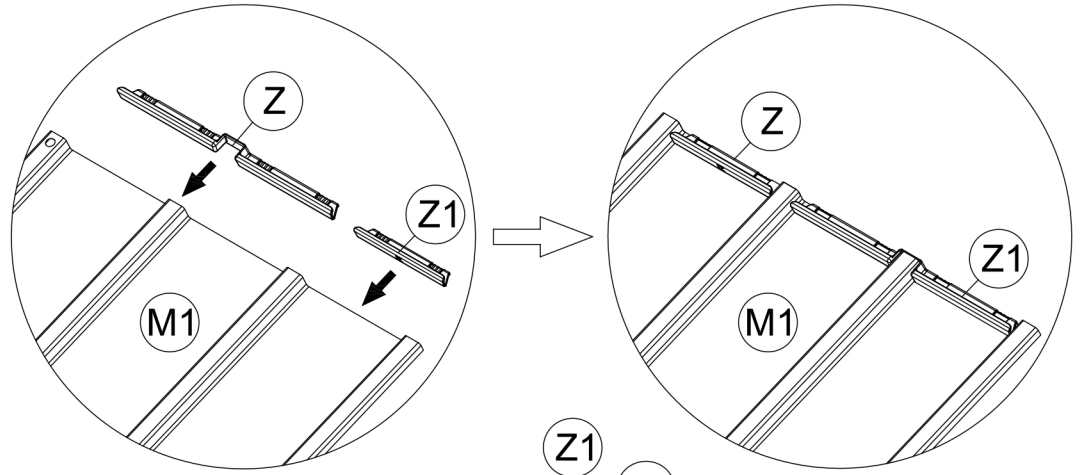
Please Note: Parts P & P1 are easy to slide, please wear gloves when installing. (Part P&P1 can increase the Weight capacity of the metal top. It's especially necessary to use in heavy rain and snow. At ordinary times we suggest you choose to put it away.)



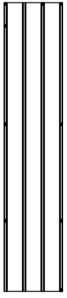
<15> Connect Part P to Part F1 as shown below.



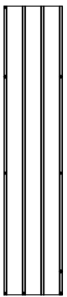
<16> Please wear gloves. Then connect Part Z & Z1 to the Roof Panels (Part M, M1, M2) respectively as shown below.



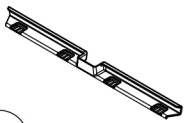
M 14x



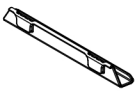
M1 2x



M2 2x



Z 32x



Z1 4x

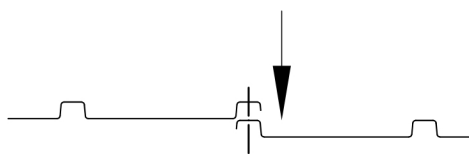
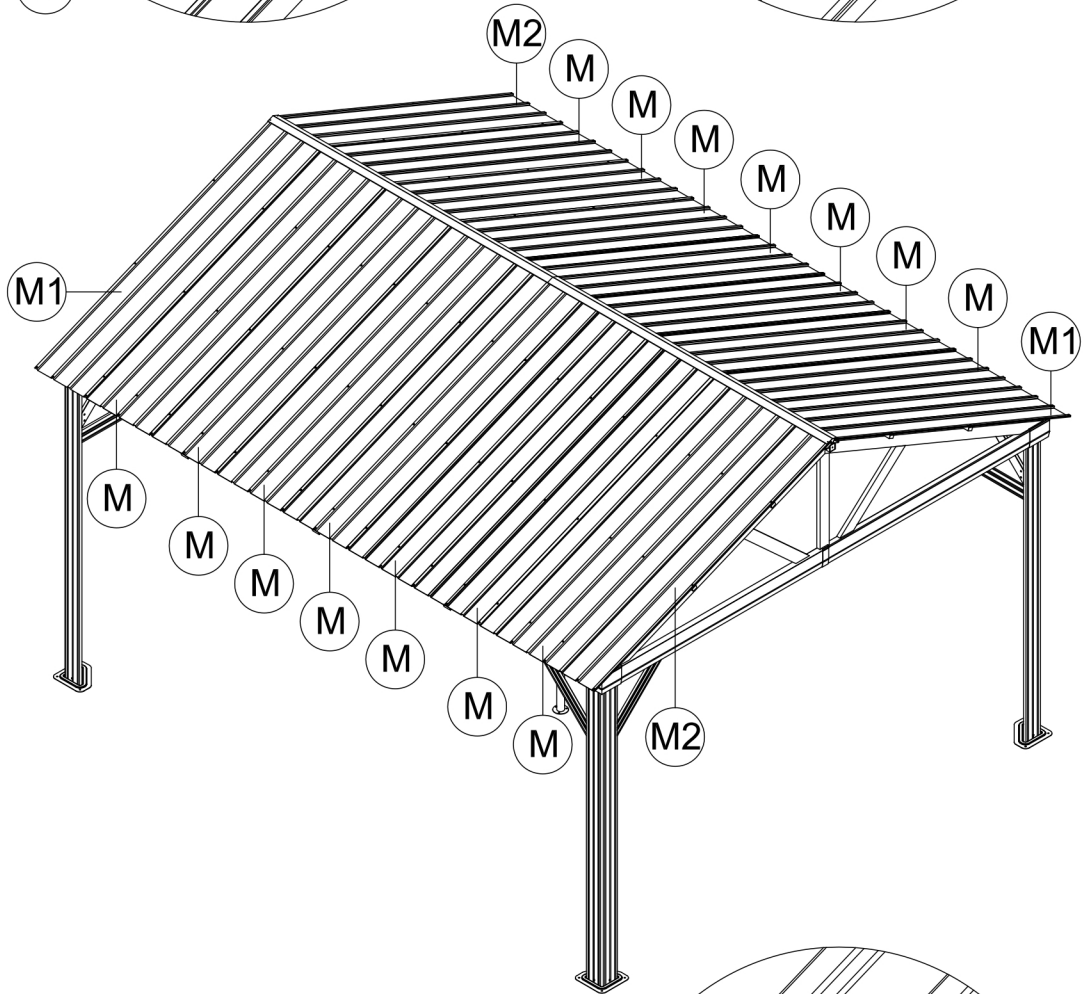
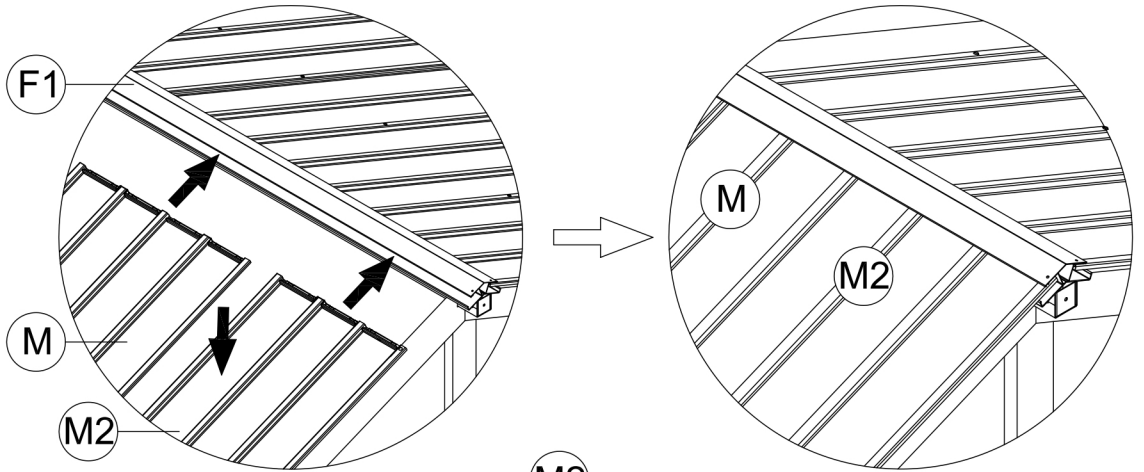


X 2x

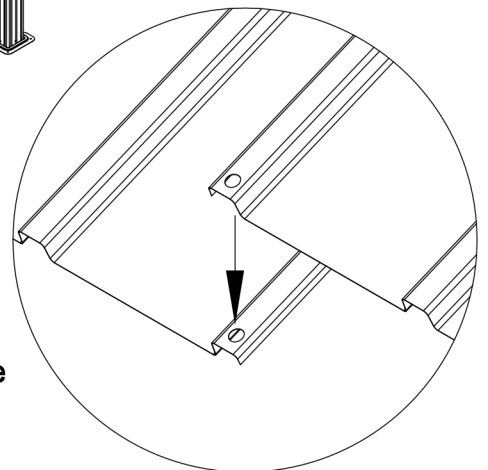


X 2x

<17> Please wear gloves.
Then push Parts M,M1,M2 to the Top Roof (Part F1) as shown below.

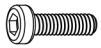


Tips: Please place the Roof Panels
in the position and stacking mode
as shown in the diagram.





Y 90x



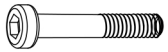
M6x20

4 6x



M6x28

5 24x



M6x45

6 60x



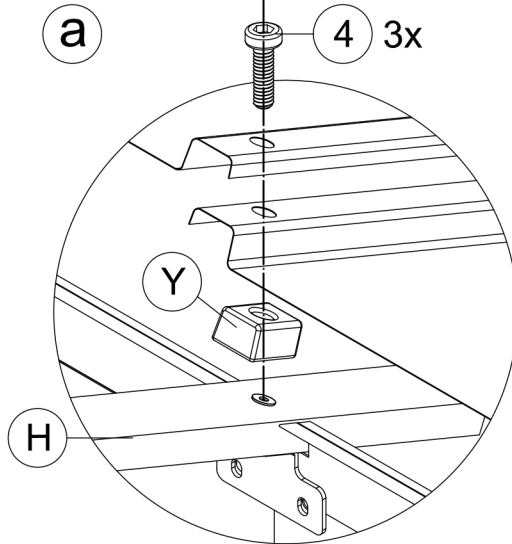
9 84x



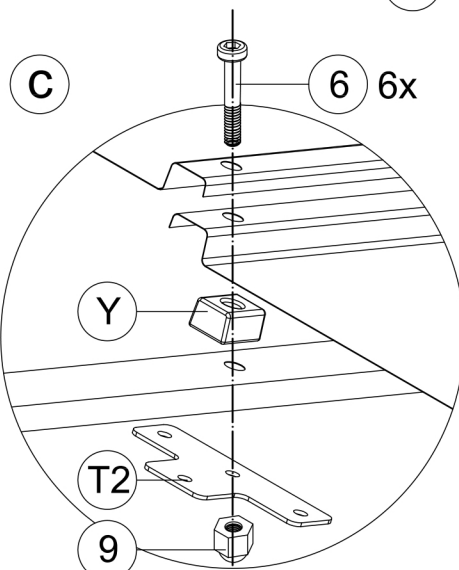
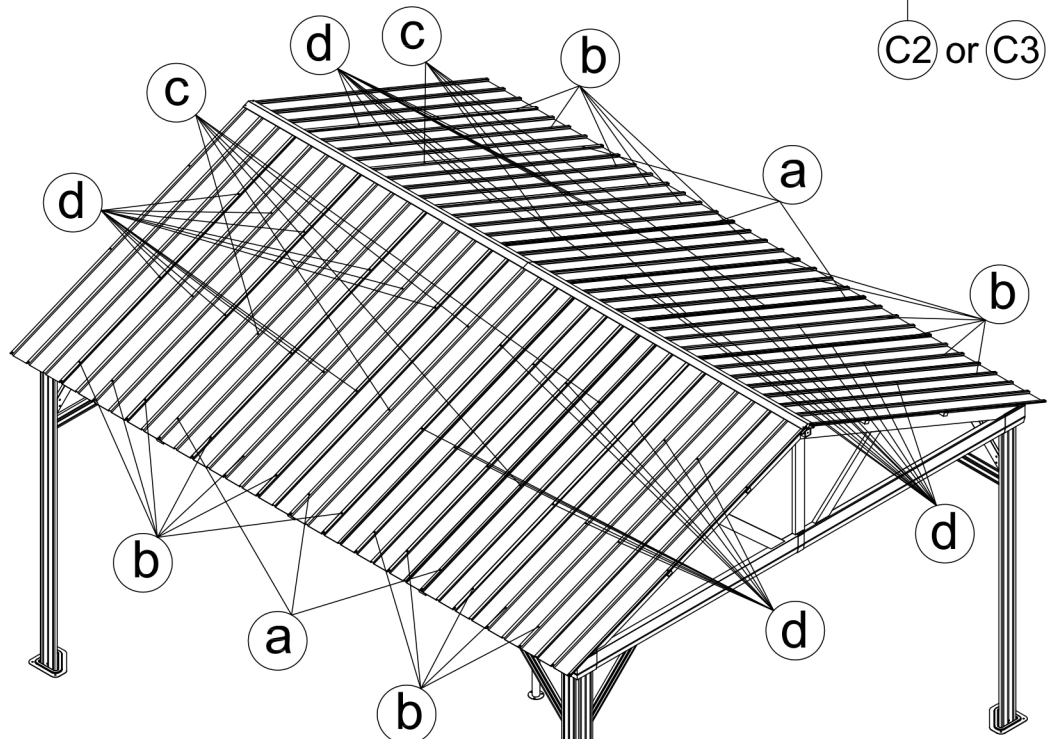
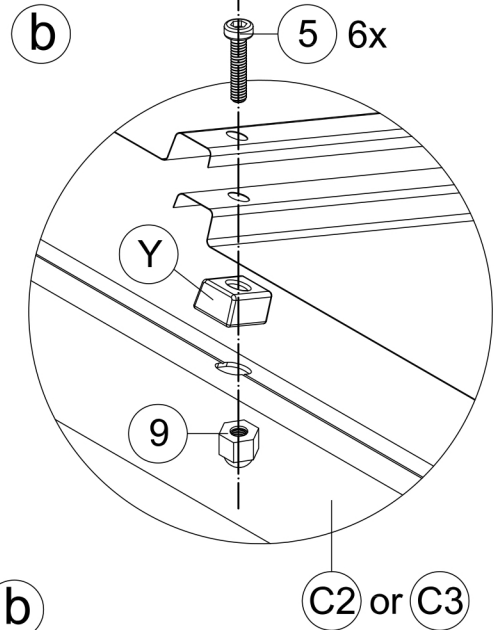
S4

10 1x

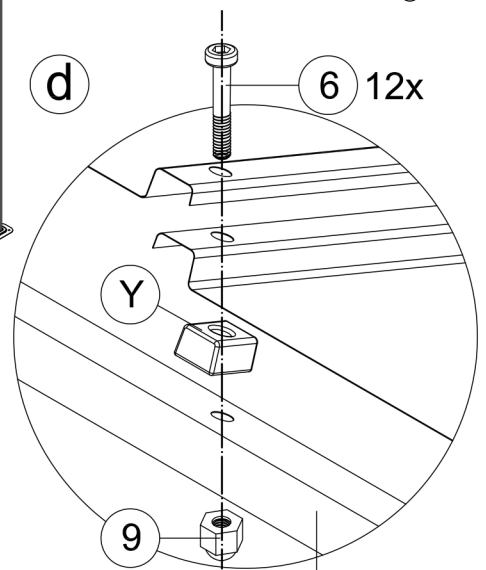
<18> Step a: Affix Roof Panels to Part H with screws #4 (3 PCS) & Part Y as shown below.



Step b: Affix Roof Panels to Part C2 or C3 with screws #5 (6 PCS) & Part 9 & Part Y as shown below.

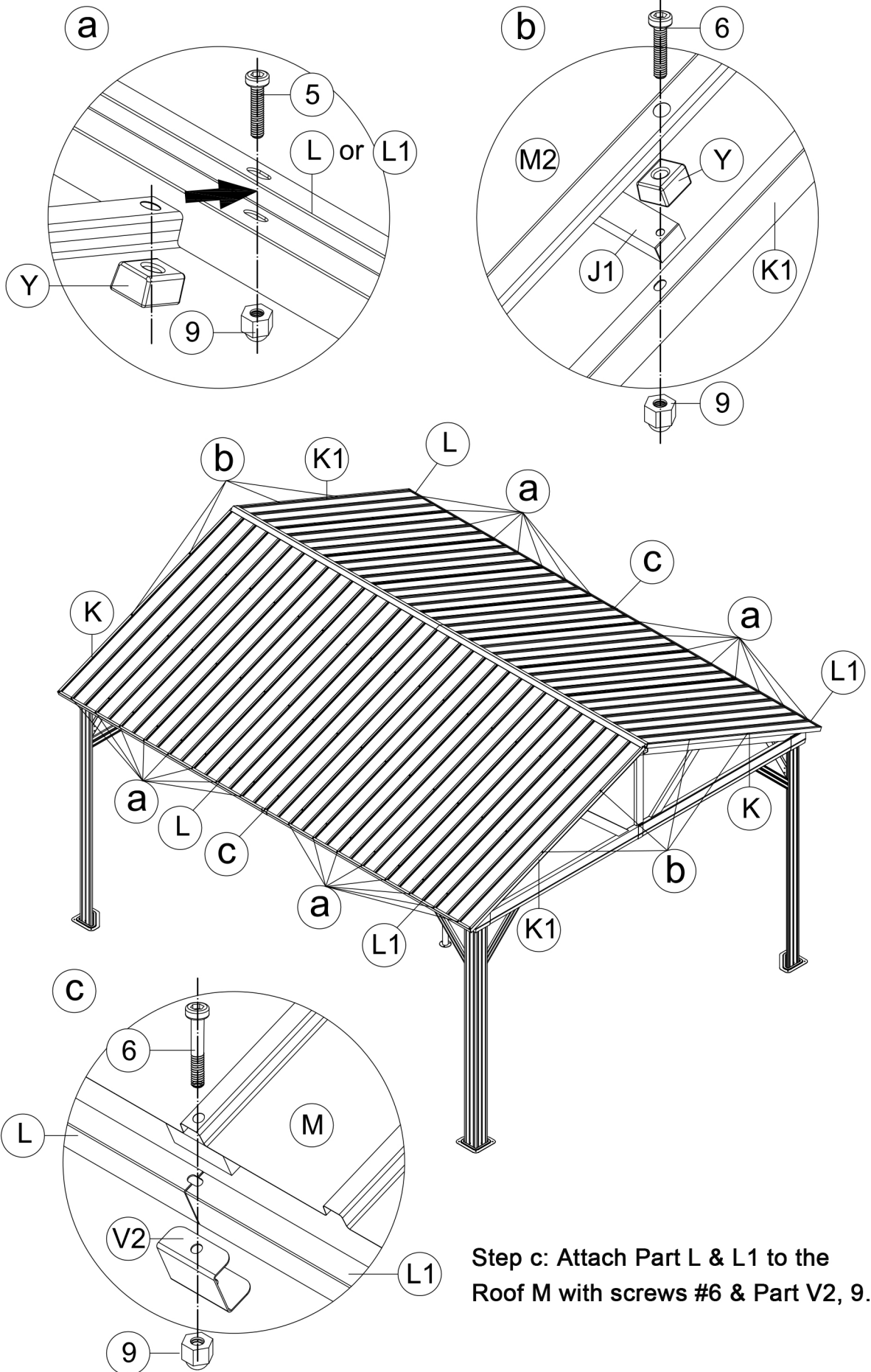


Step c: Affix Roof Panels to Roof Bar with screws #6 (6 PCS) & Part T2 & Part Y & Part 9 as shown.



Step d: Affix Roof Panels to Part J or J1 with screws #6 (12 PCS) & Part Y & Part 9.

<19> Step a: Attach Part L or L1 to the Roof with screws #5 & Part Y, 9.
 Step b: Attach Part K1 to Roof M2 with screws #6 & Part Y, J1, K1, 9.



Step c: Attach Part L & L1 to the Roof M with screws #6 & Part V2, 9.

(K) 2x

(K1) 2x

(L) 2x

(L1) 2x

(V2) 2x

(Y) 42x

M6x28

(5) 32x

M6x45

(6) 10x

(9) 42x

22



V 2x

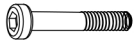


V1 4x



M6x16

3 2x



M6x45

6 4x



ST5x13

8 4x



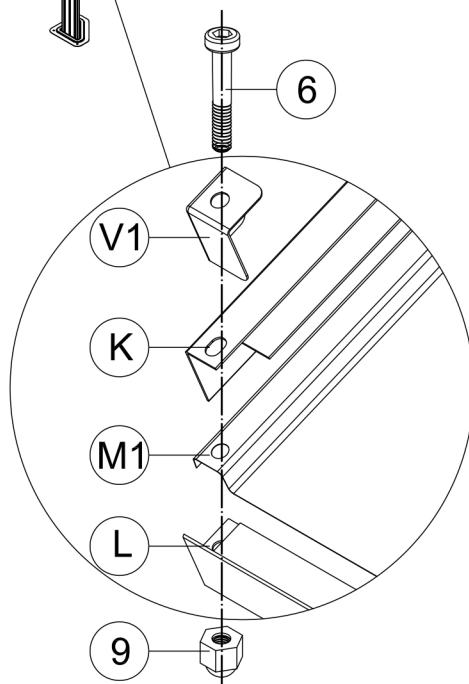
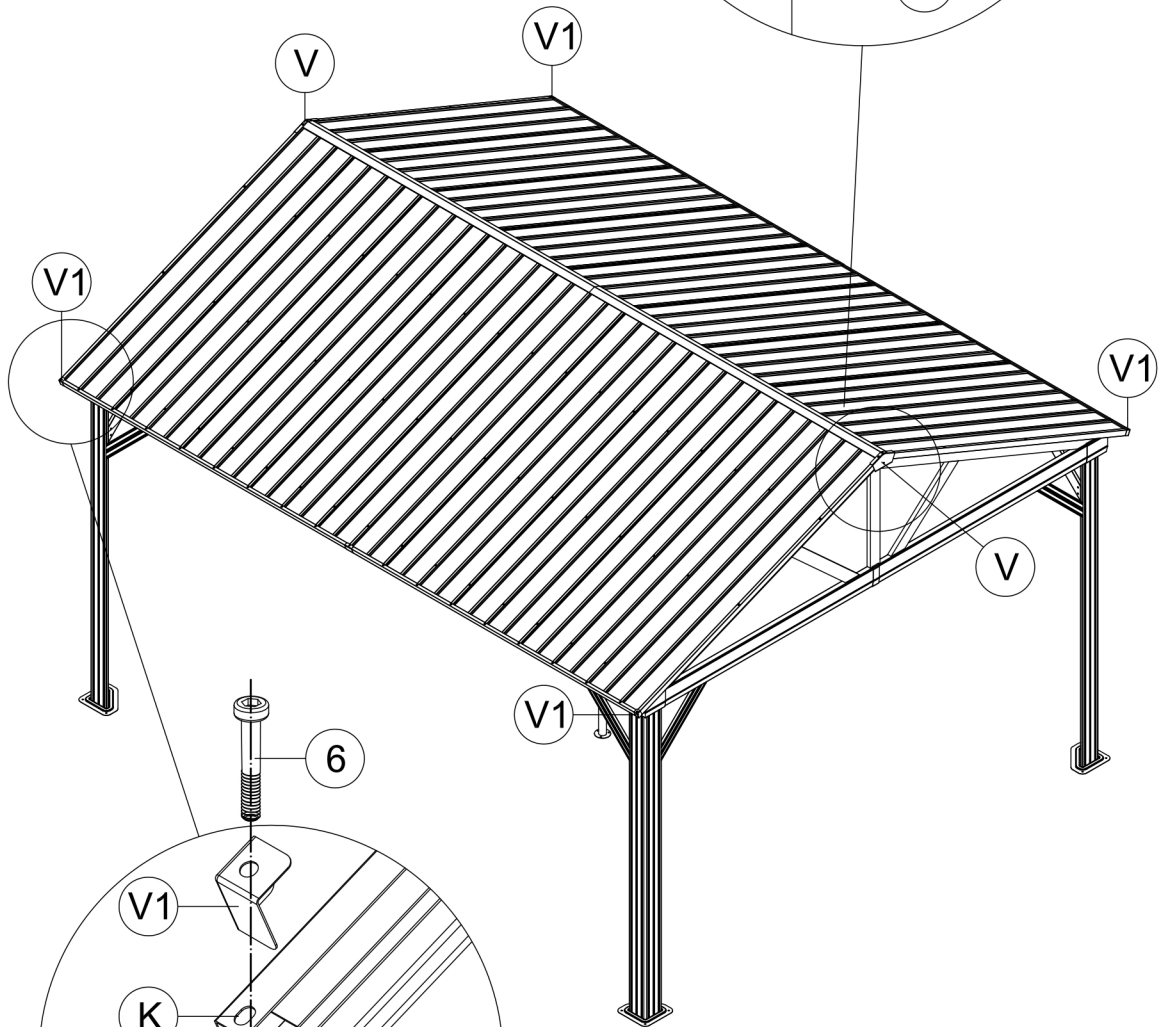
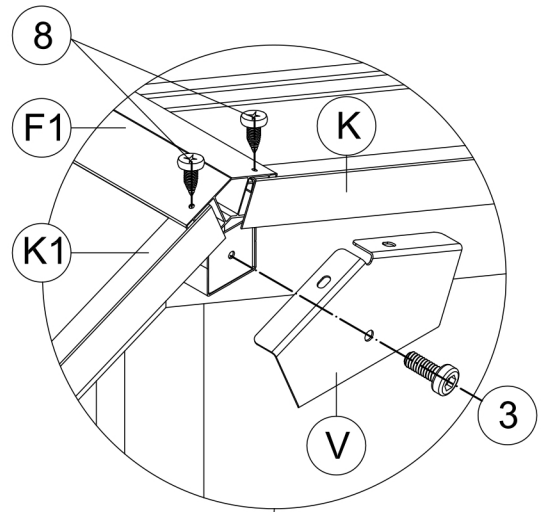
9 4x



S4

10 1x

<20> Connect Part V to the Top Roof Beam (Part K & k1 & F1) using screws #8 & #3.



Put on screw #6, Part V1, Part K, Part M1, Part L and Part 9 as shown in the diagram. Then connect Part L & K with Part V1 & M1 using screw #6 & #9.

Connect Part P to Part F1 as shown below.

<21> (Part P&P1 can increase the Weight capacity of the metal top.
It's especially necessary to use in heavy rain and snow.
At ordinary times we suggest you choose to put it away.)

