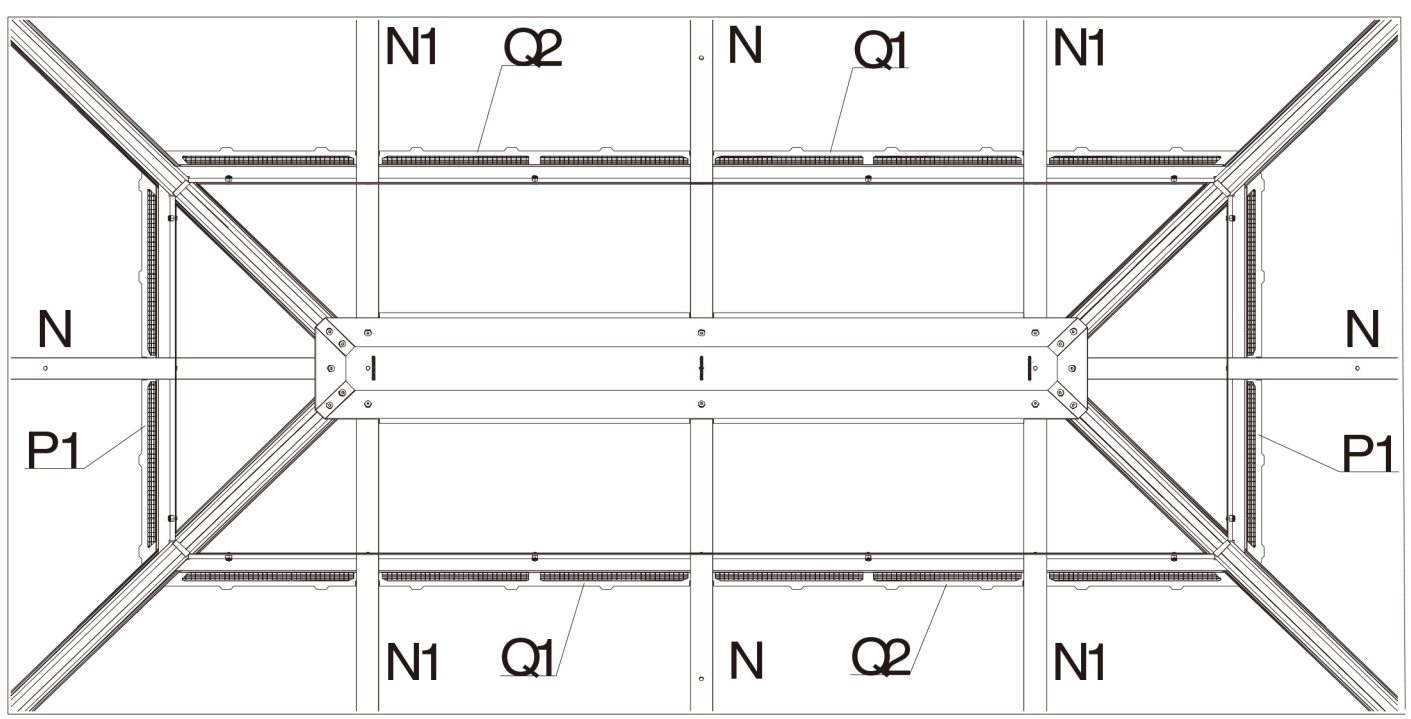
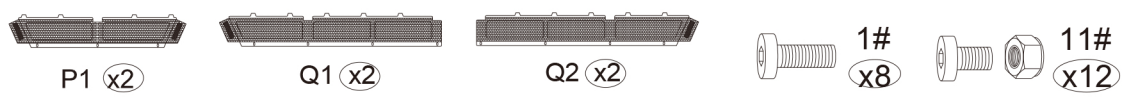
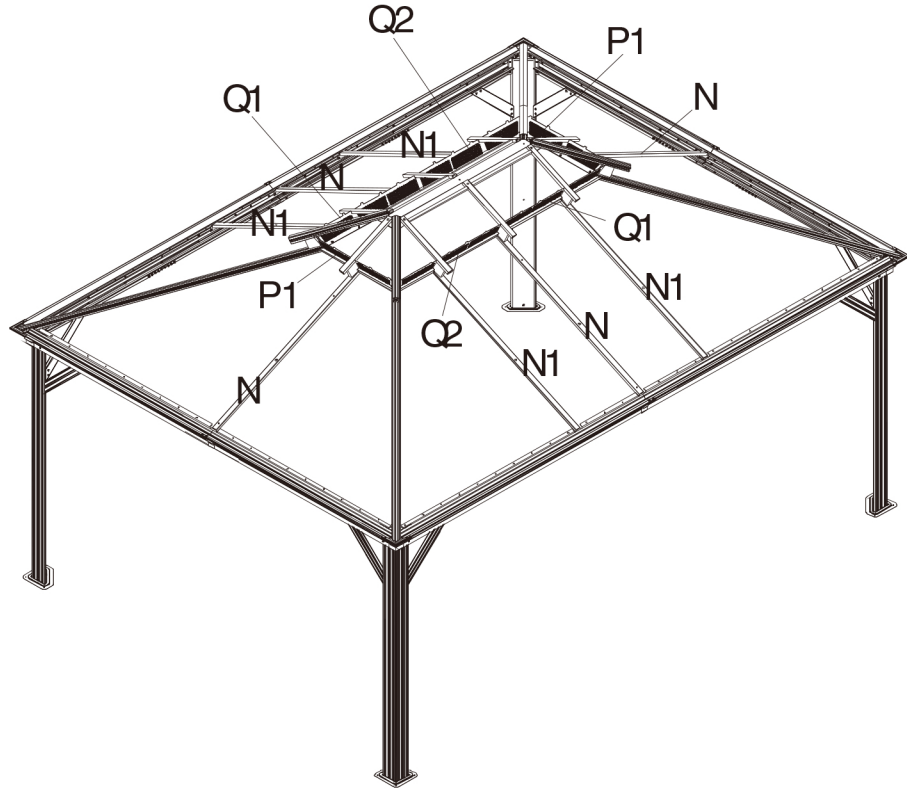
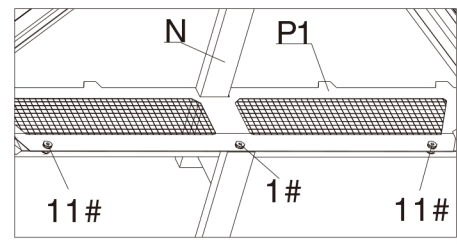
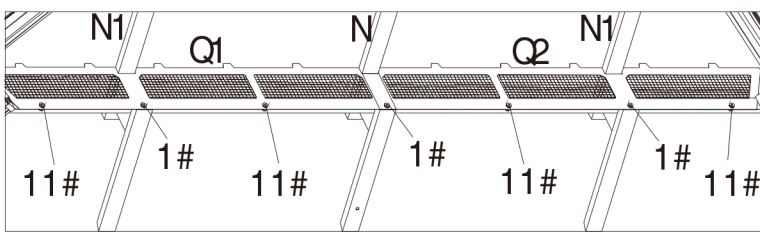


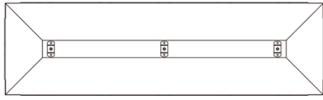
Parts Required:



Step 10:

Attach net frames (Part P1,Q1&Q2) to finishing bars (Part P &Q) using screws 1#&11# as shown in diagram.

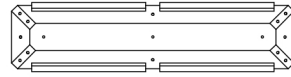




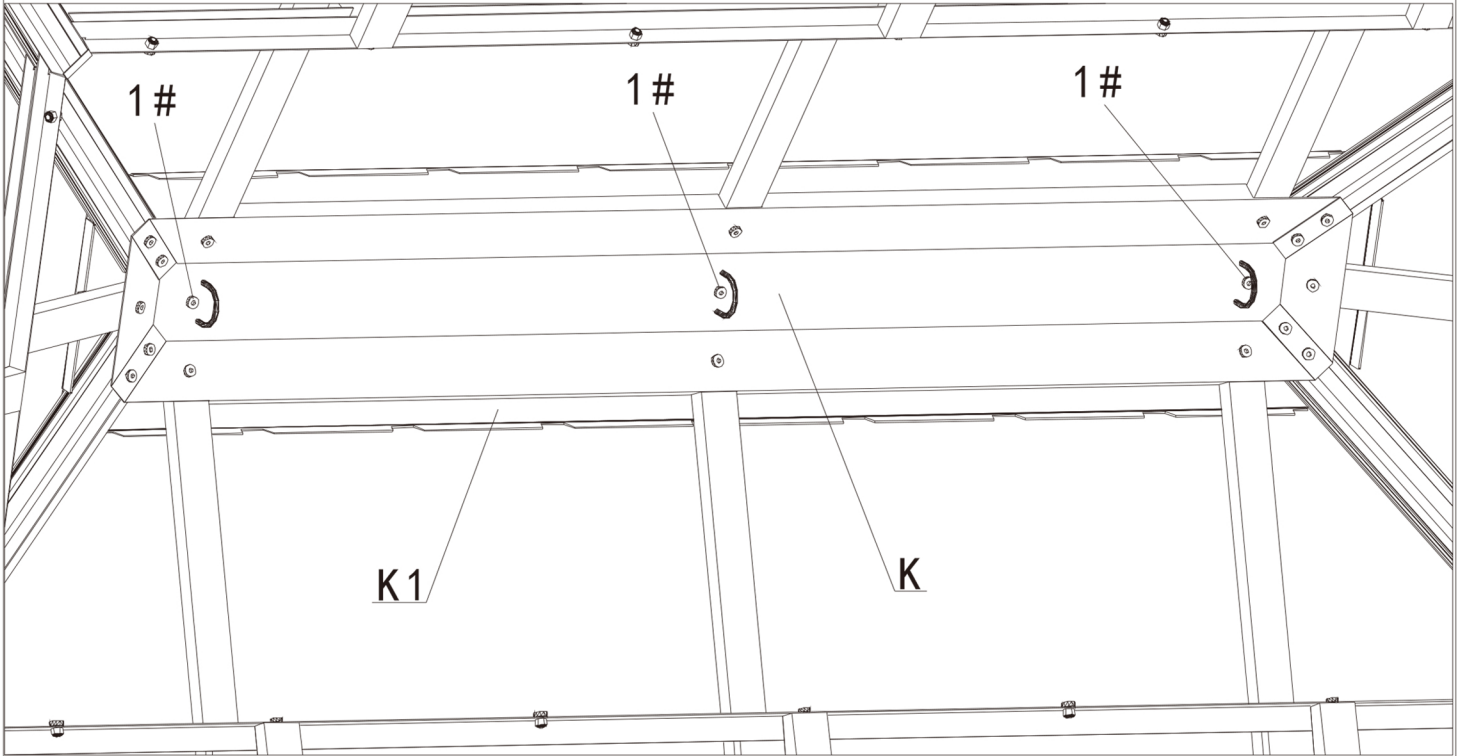
K1 (x1)



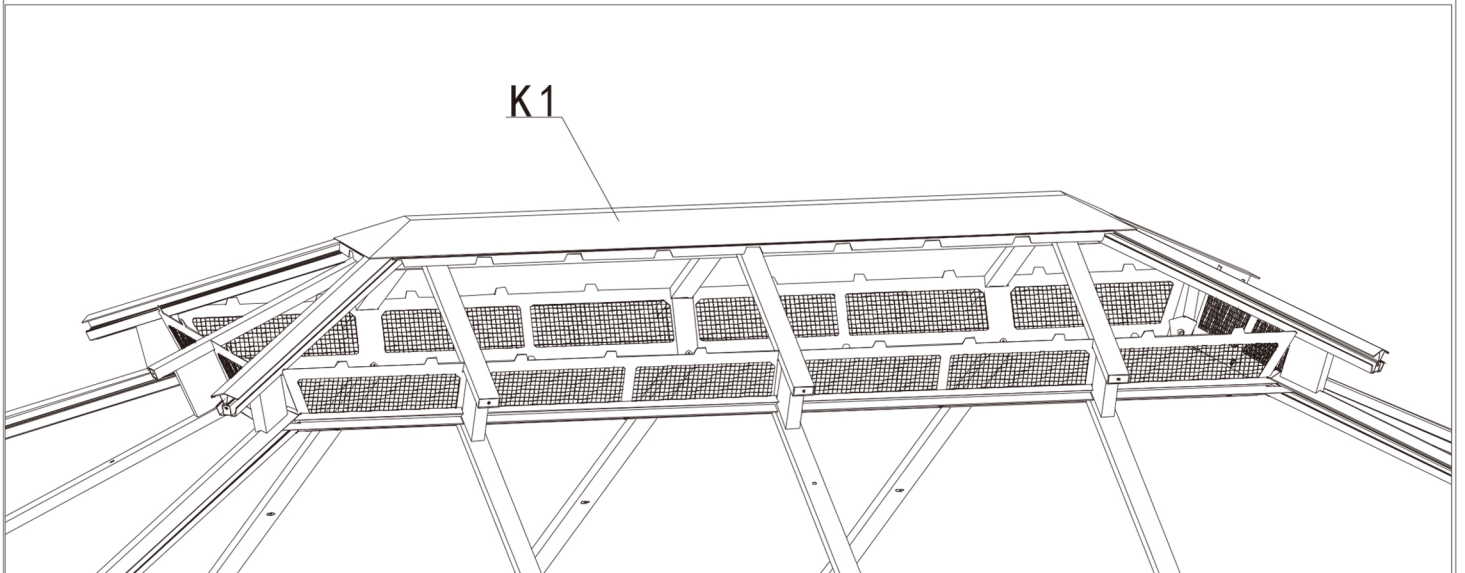
1#
x3

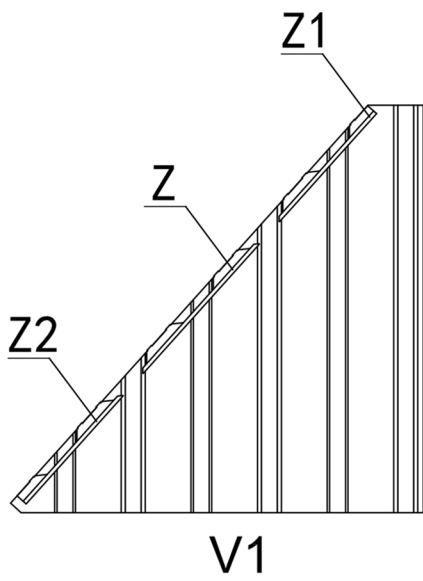
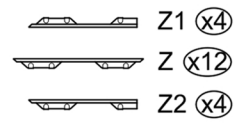
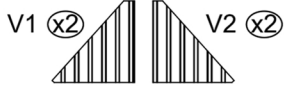


Kx1

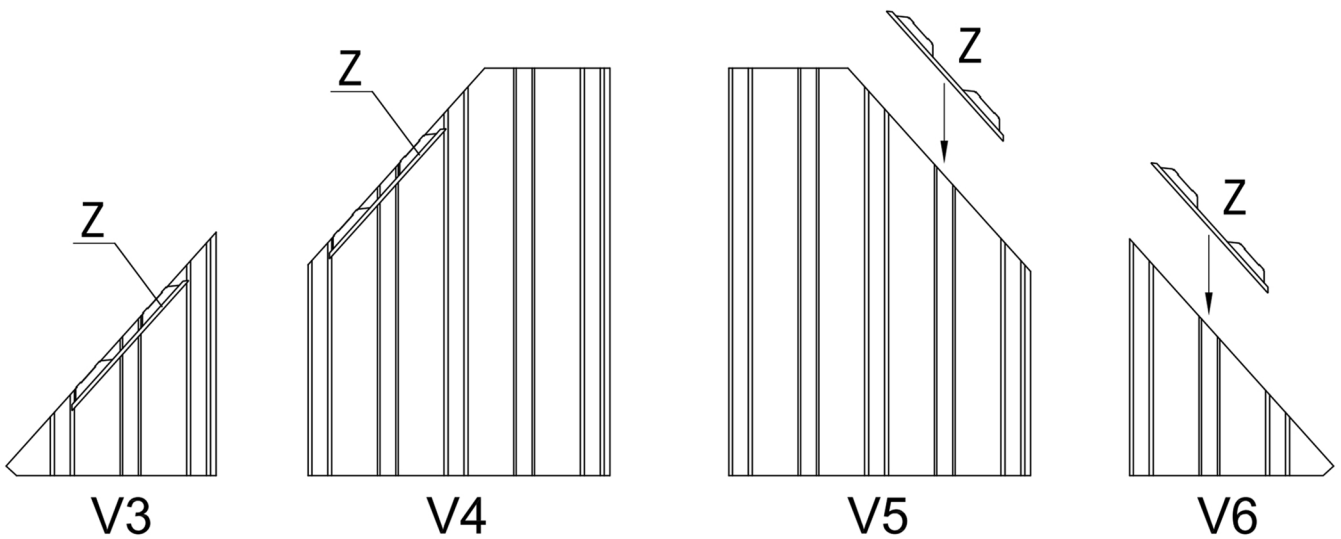
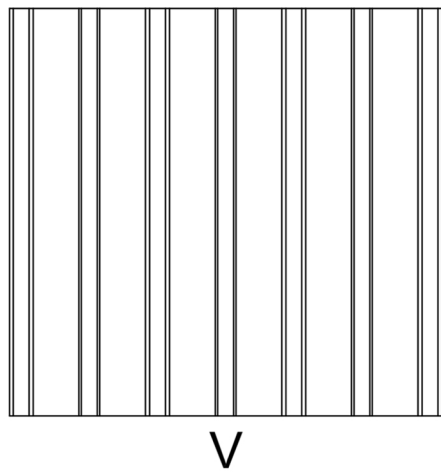
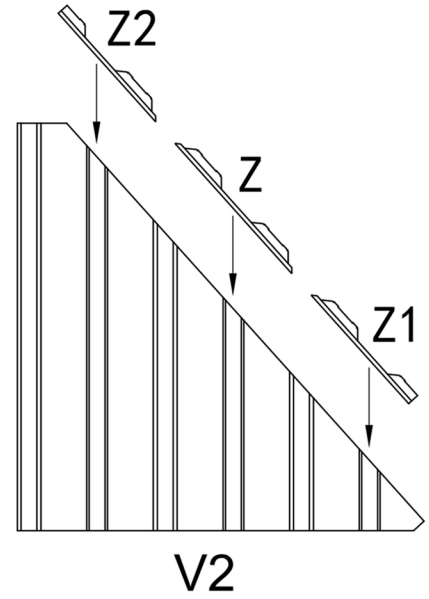


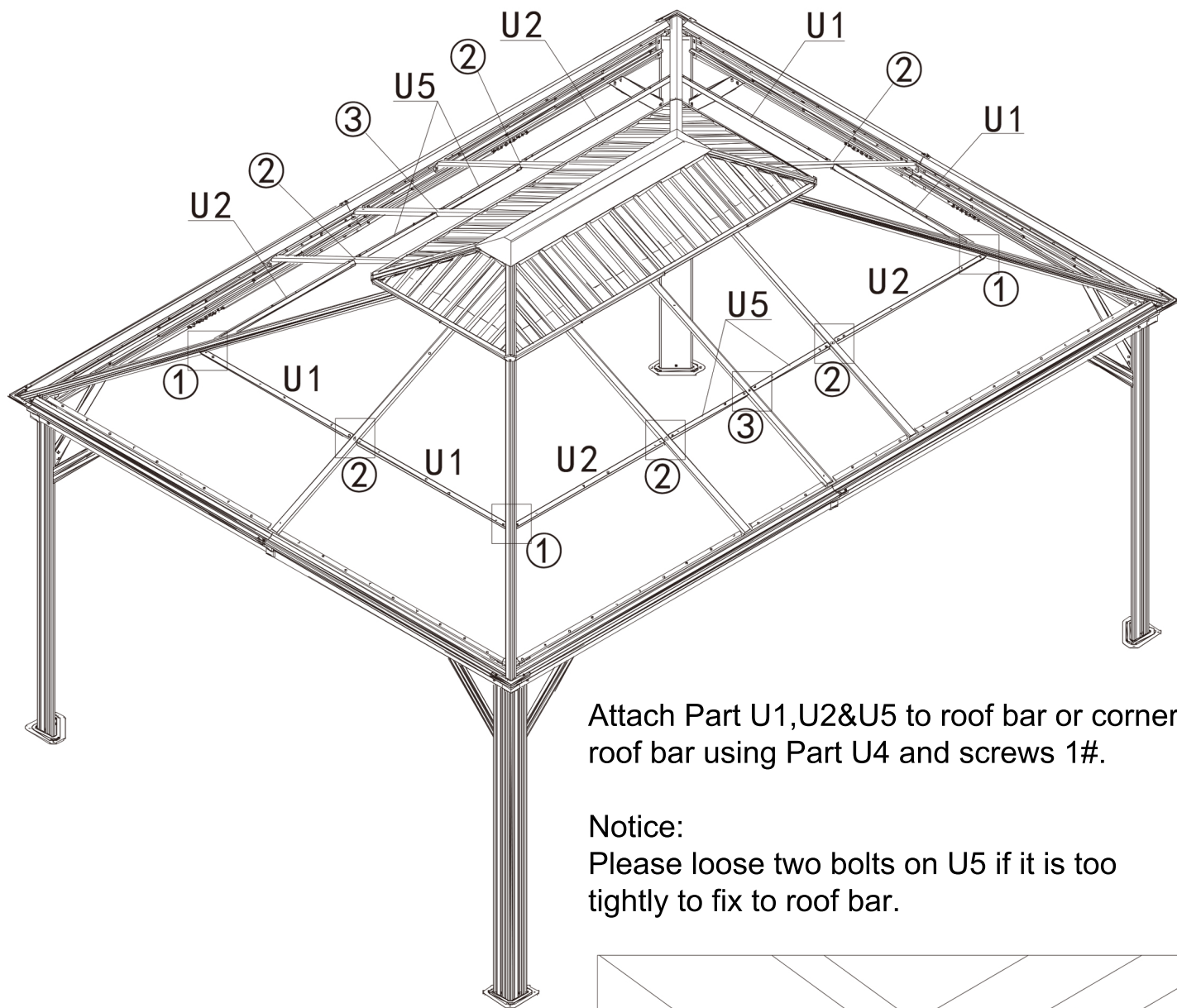
Connect Part K1 to Part K using screw 1#.





Step 11:
Cover Part Z,Z1&Z2 to roof panels.



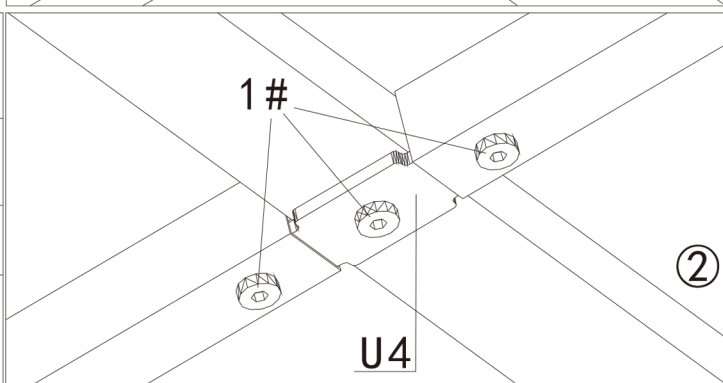
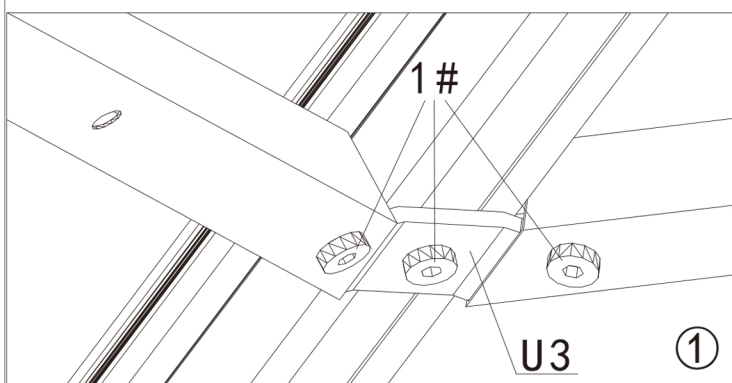
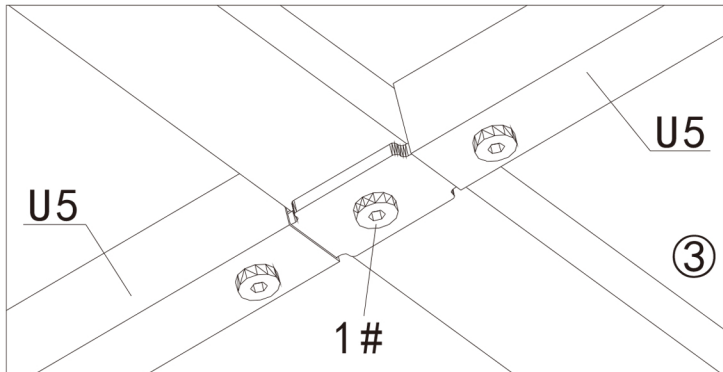


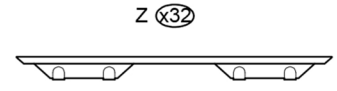
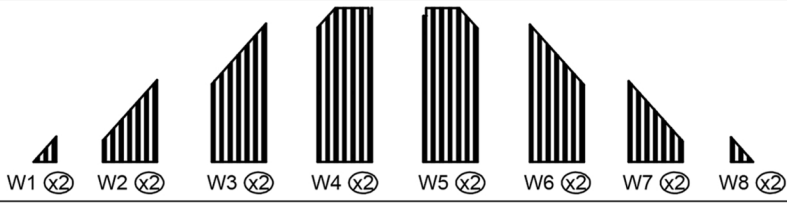
Attach Part U1,U2&U5 to roof bar or corner roof bar using Part U4 and screws 1#.

Notice:
Please loose two bolts on U5 if it is too tightly to fix to roof bar.

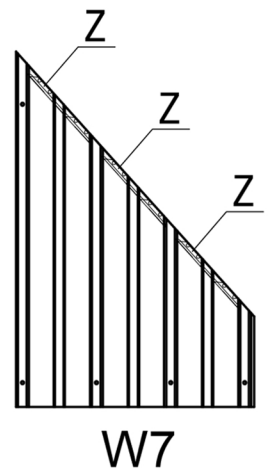
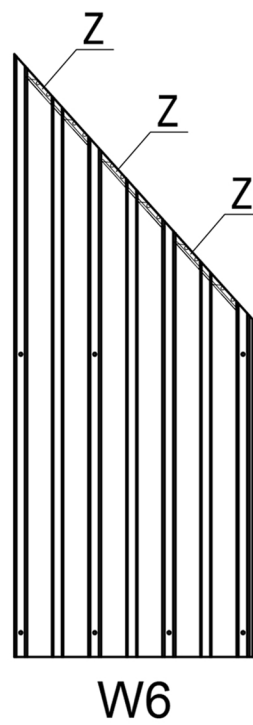
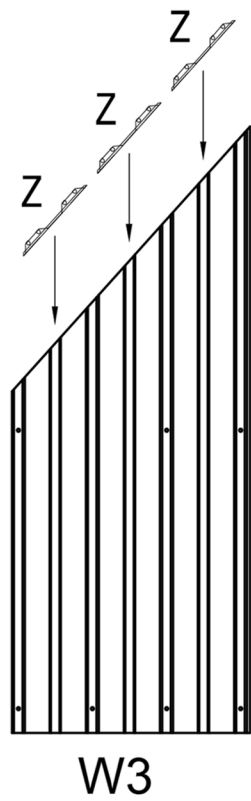
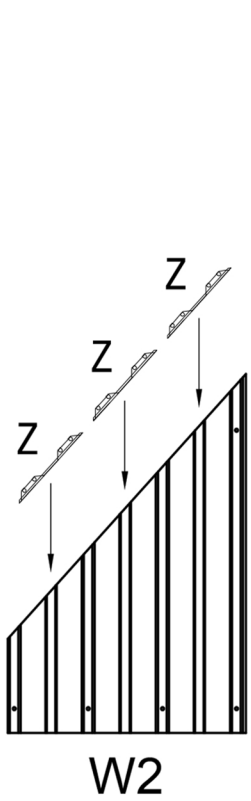
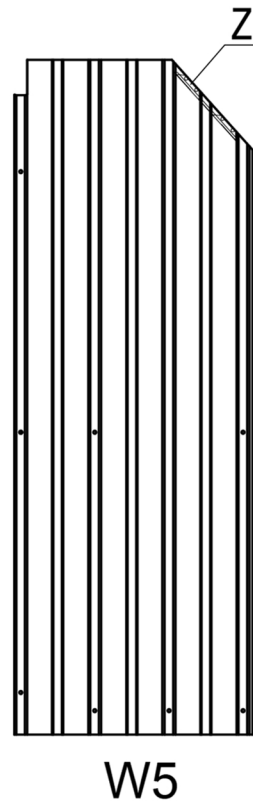
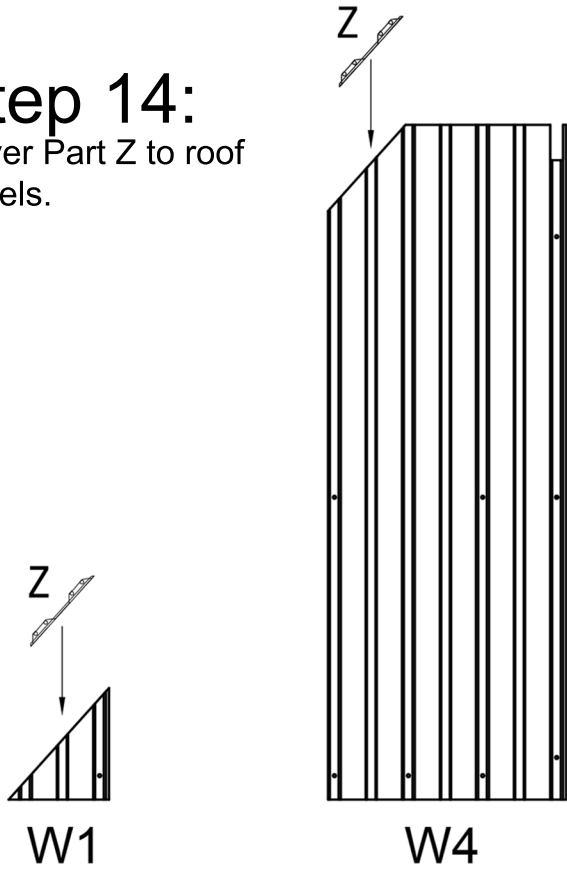
Step 13:

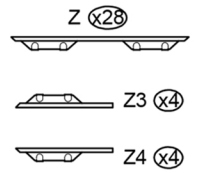
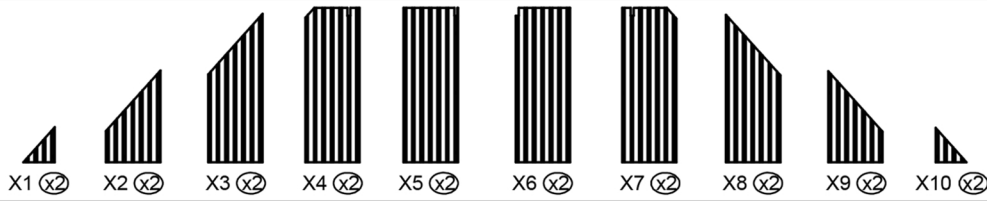
Affix Part U1,U2&U5 to corner bar using Part U3 and screw 1#.



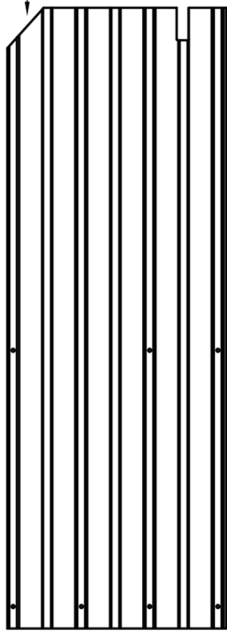


Step 14:
Cover Part Z to roof panels.

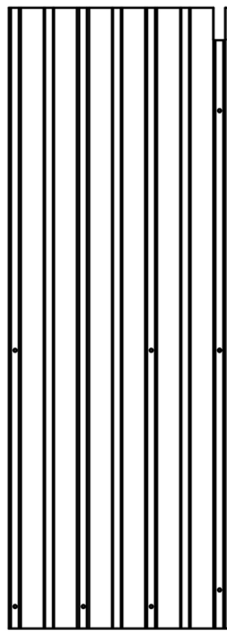




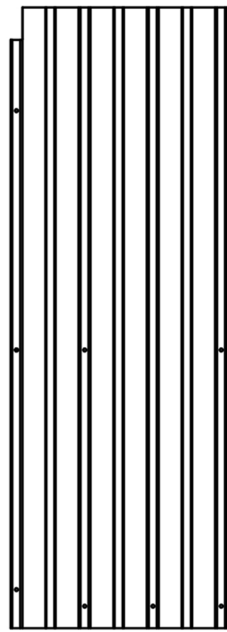
Z3



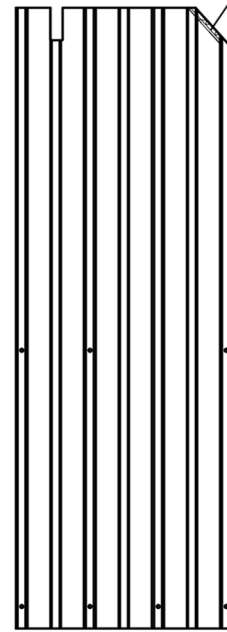
X4



X5



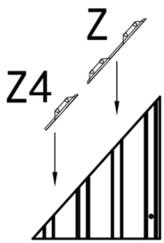
X6



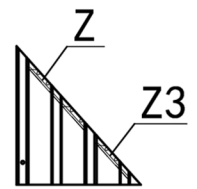
X7

Step 15:

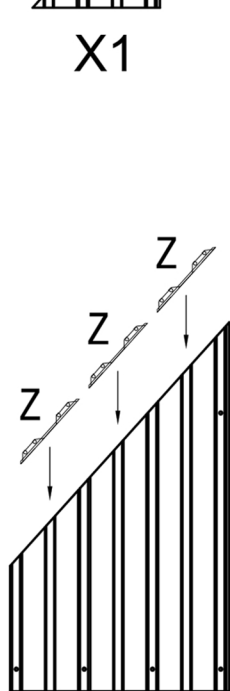
Cover Part Z,Z3,Z4 to roof panel.



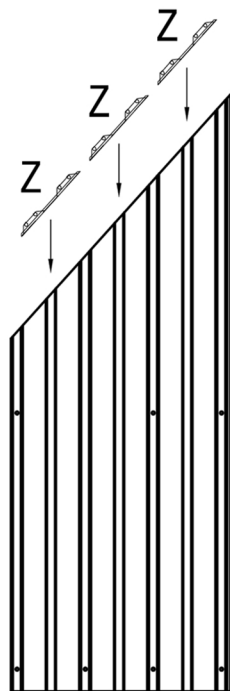
X1



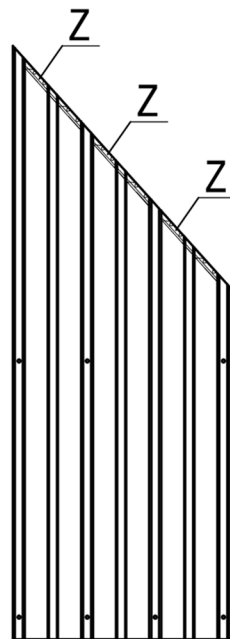
X10



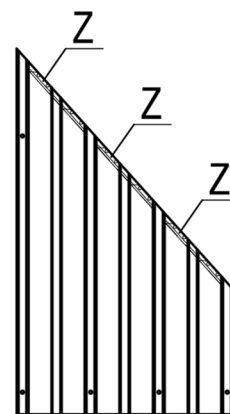
X2



X3



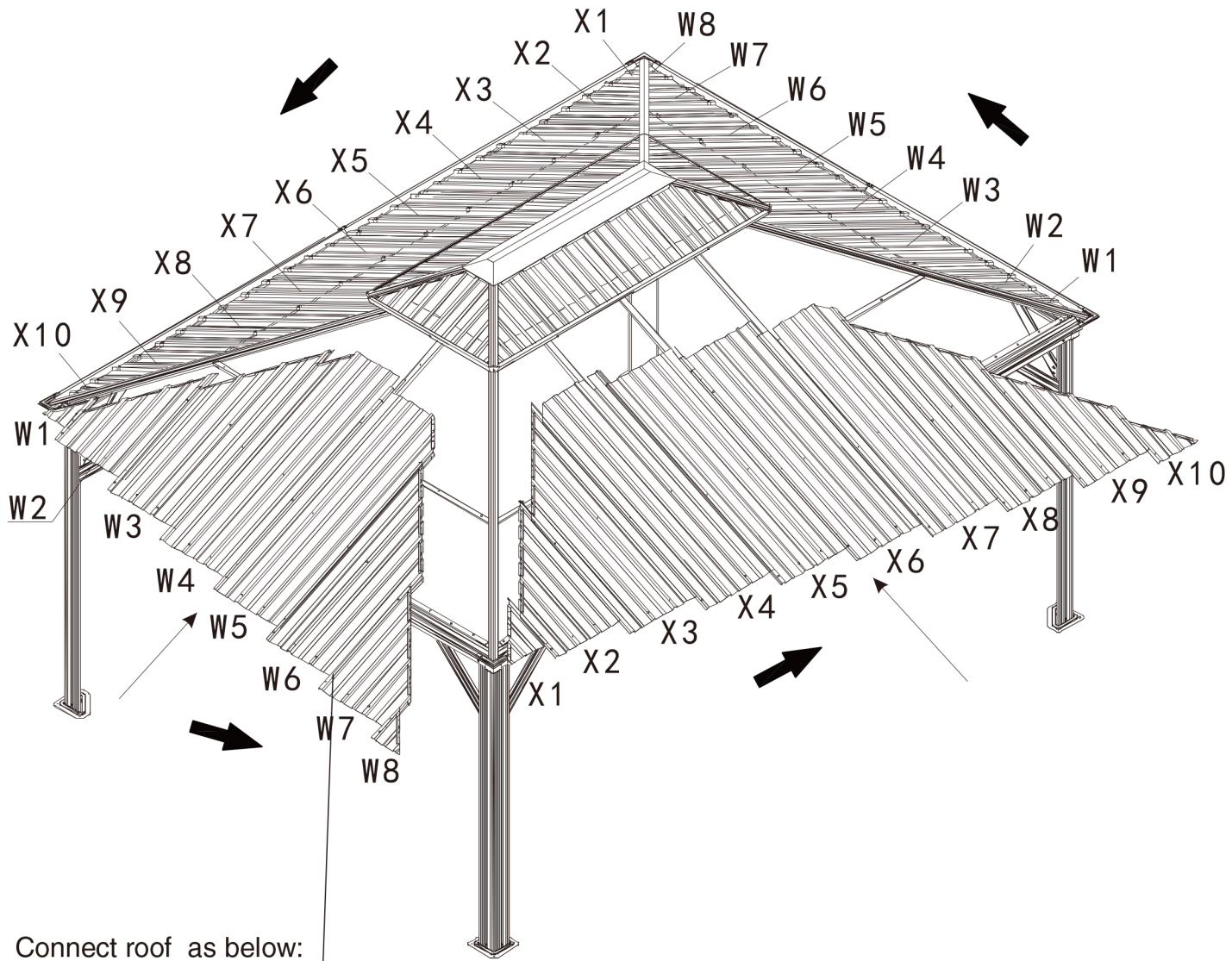
X8



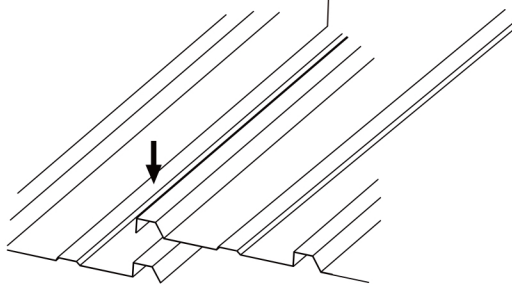
X9

Overall roof assembly:

Please put the panels on the frame anti-clockwisely



Connect roof as below:



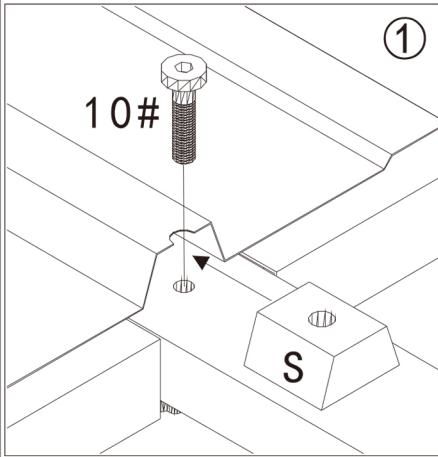
S x136

5# x84

6# x8

7# x40

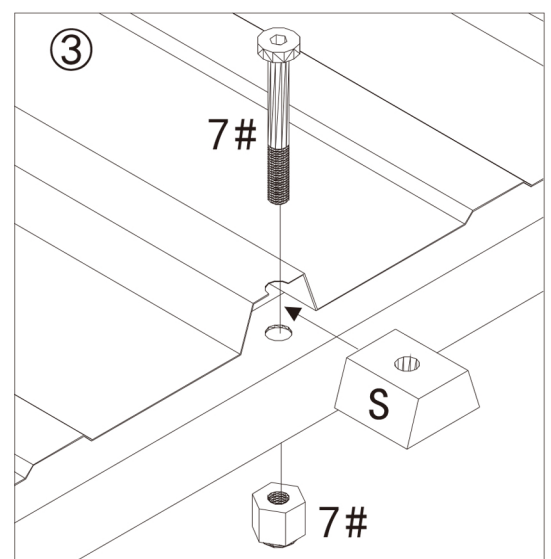
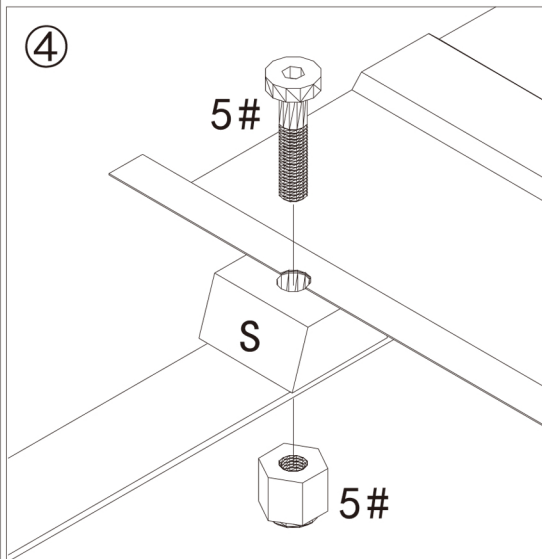
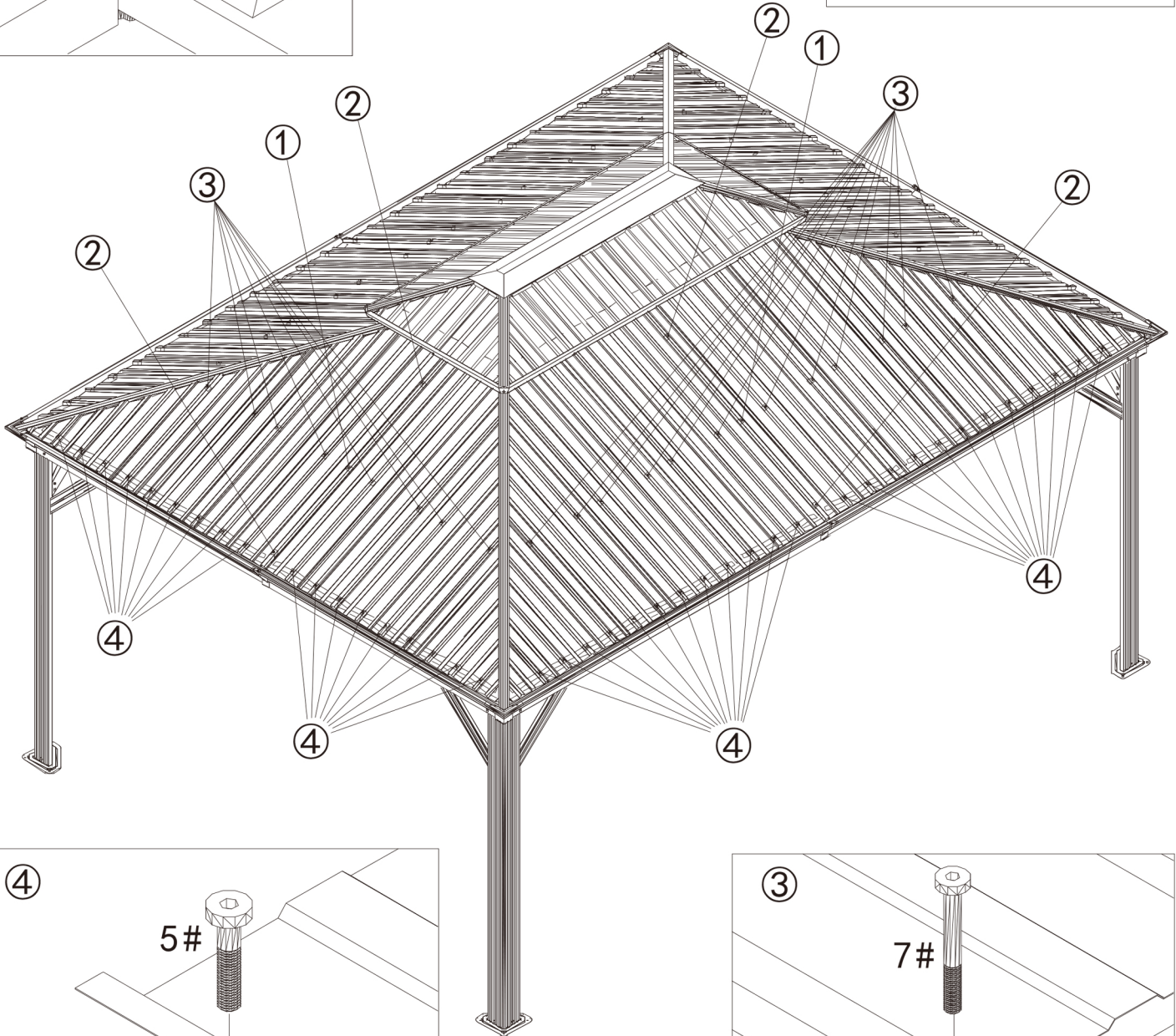
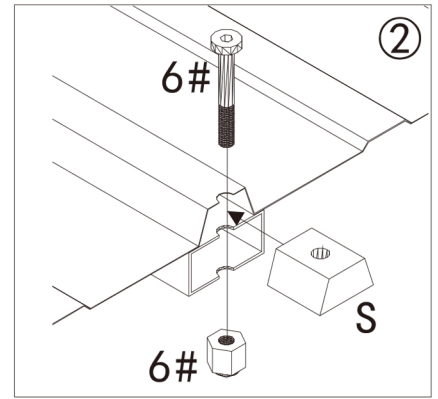
10# x4

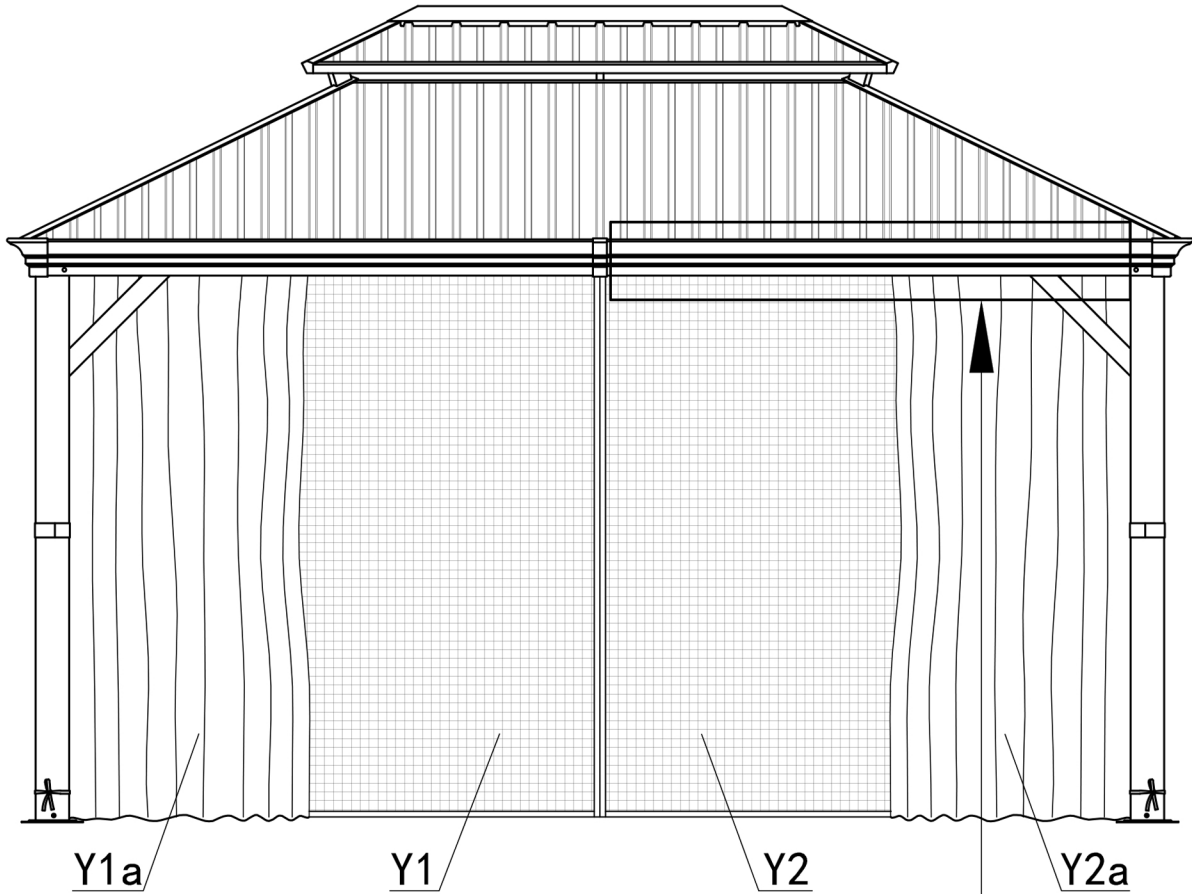
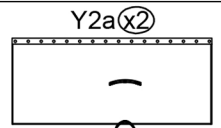
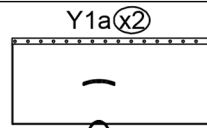
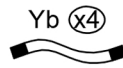
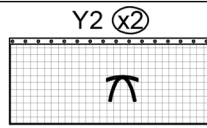
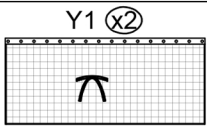


Step 16:

Affix roof panels using screws and Part S.

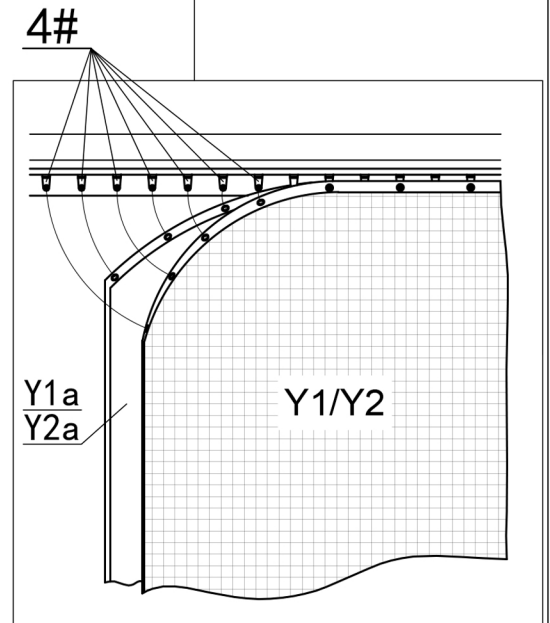
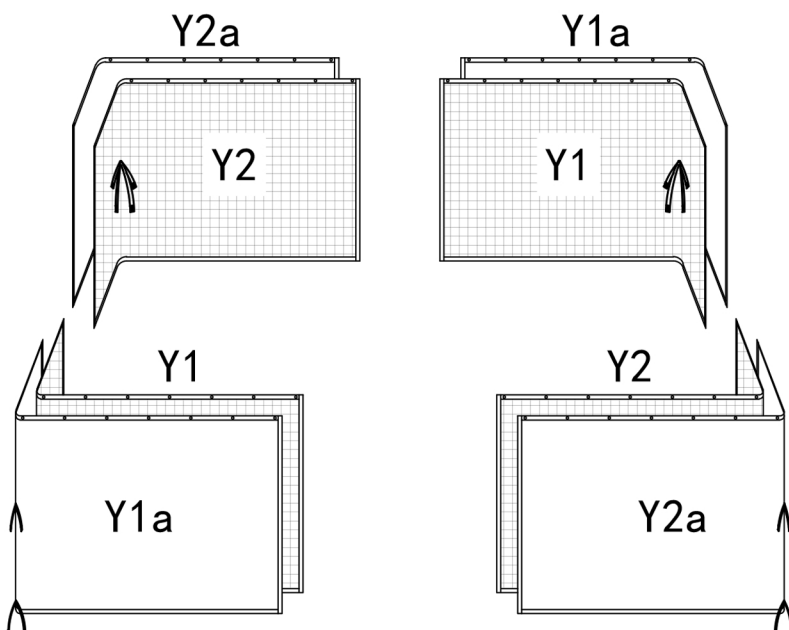
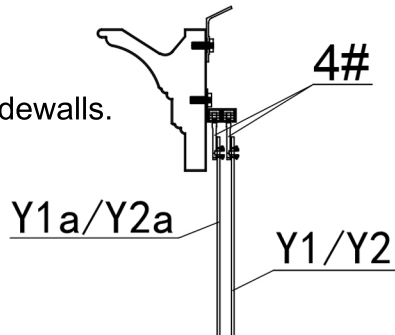
Notice:
Put on one roof panel and fasten it accordingly before attaching

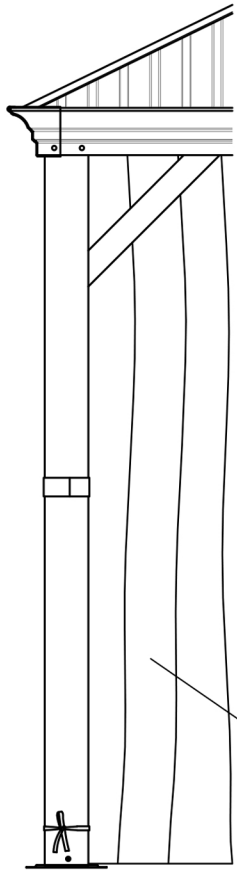




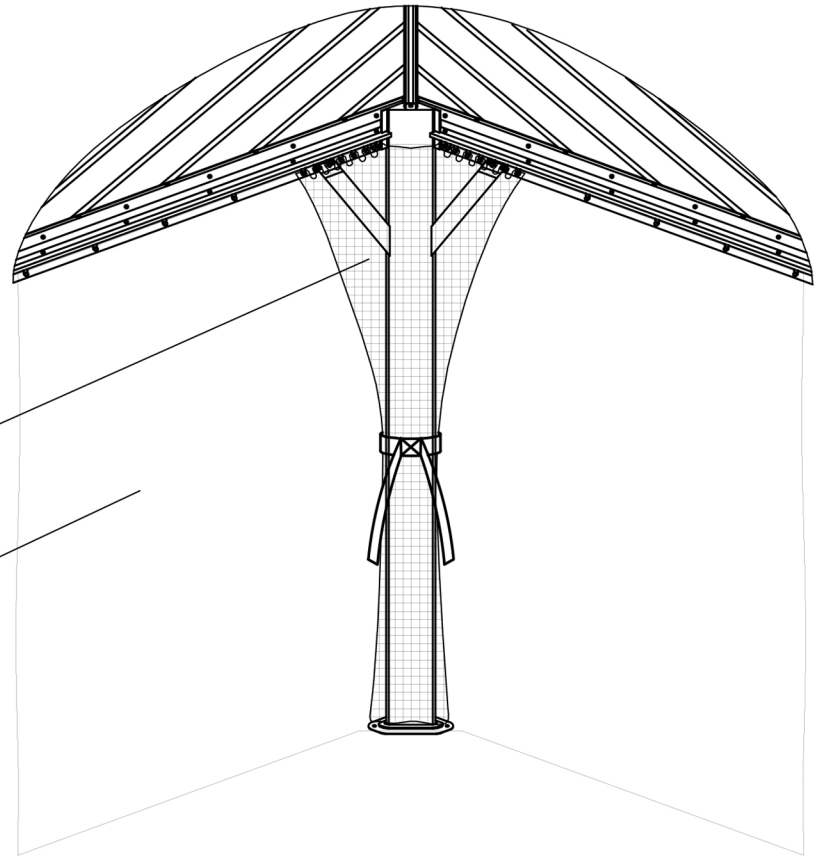
Step 17:

Hang up Mosquito Sidewalls and Solid Sidewalls.



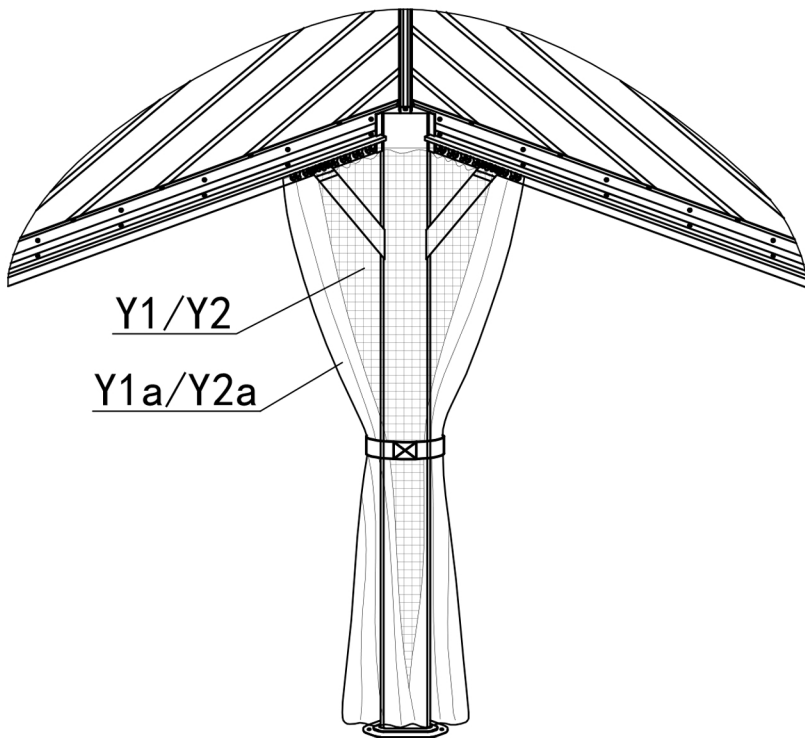


Y1a/Y2a



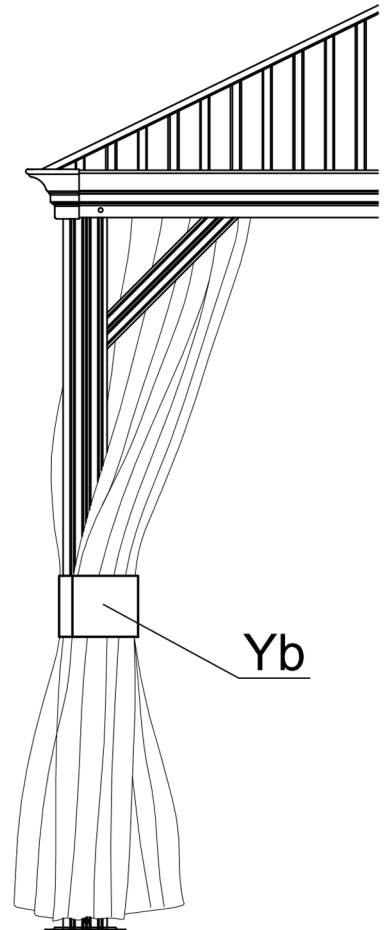
Y1/Y2

Y1a/Y2a



Y1/Y2

Y1a/Y2a



Yb