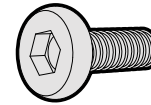


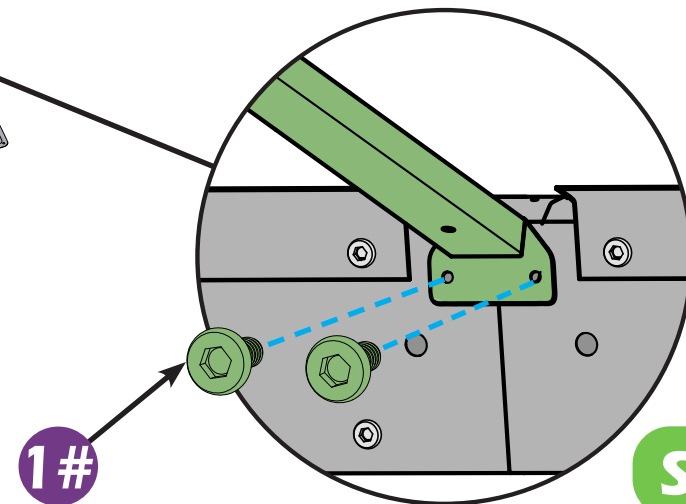
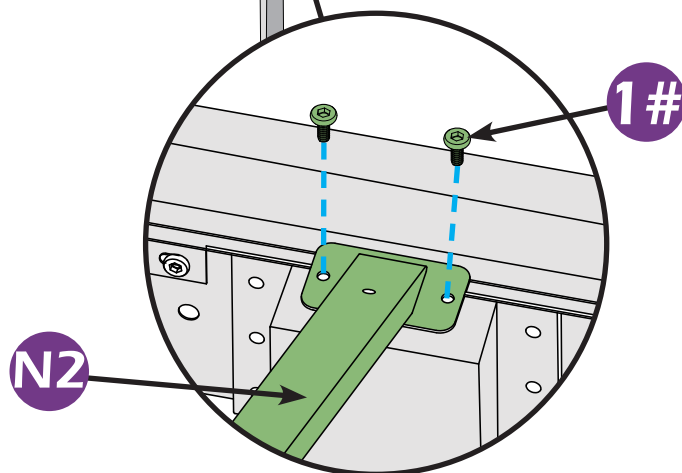
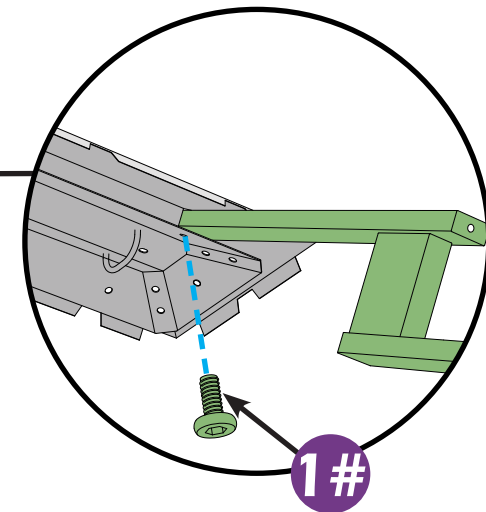
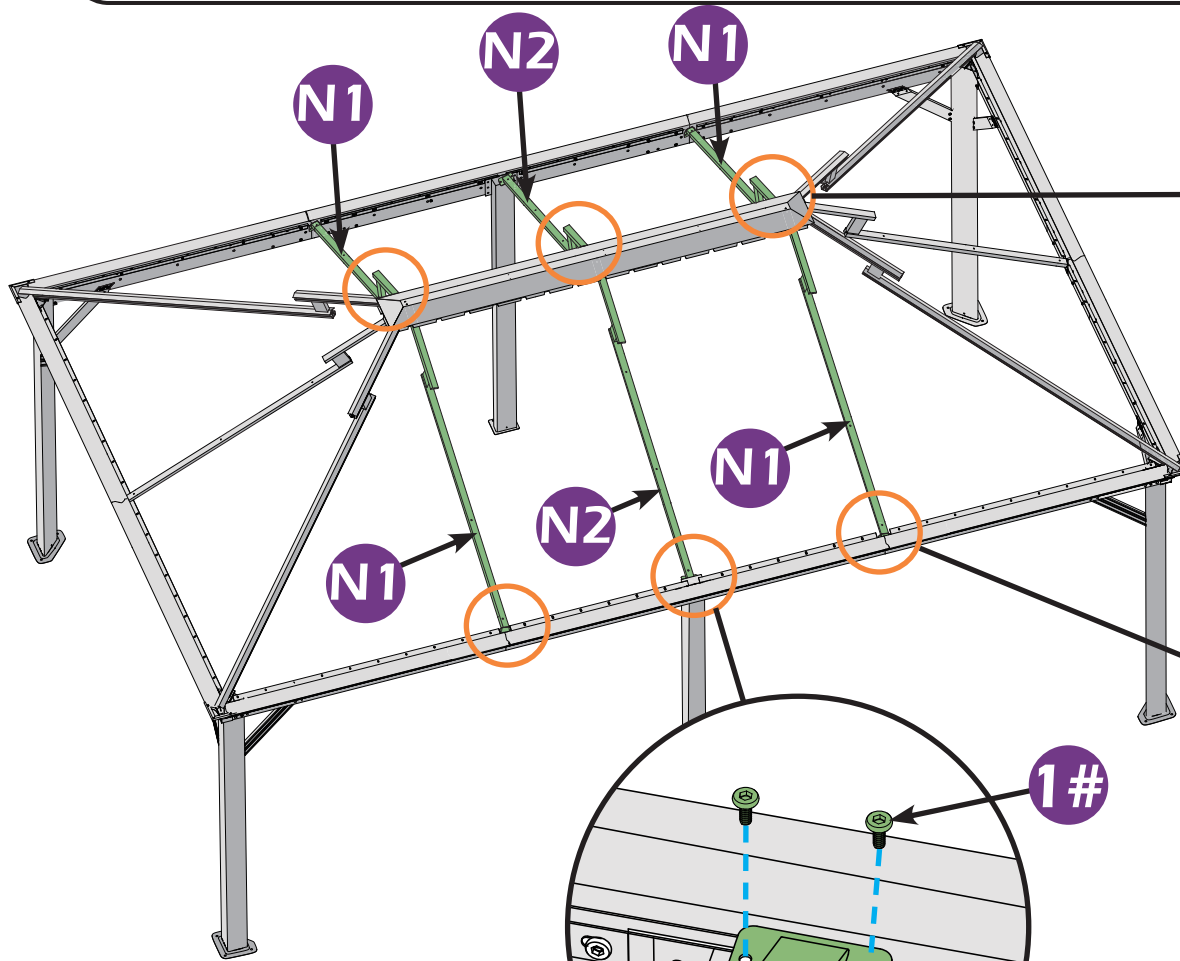
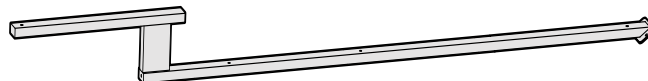
N1 × 4



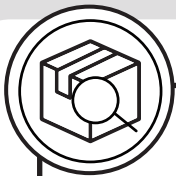
1# × 18



N2 × 2



STEP 2



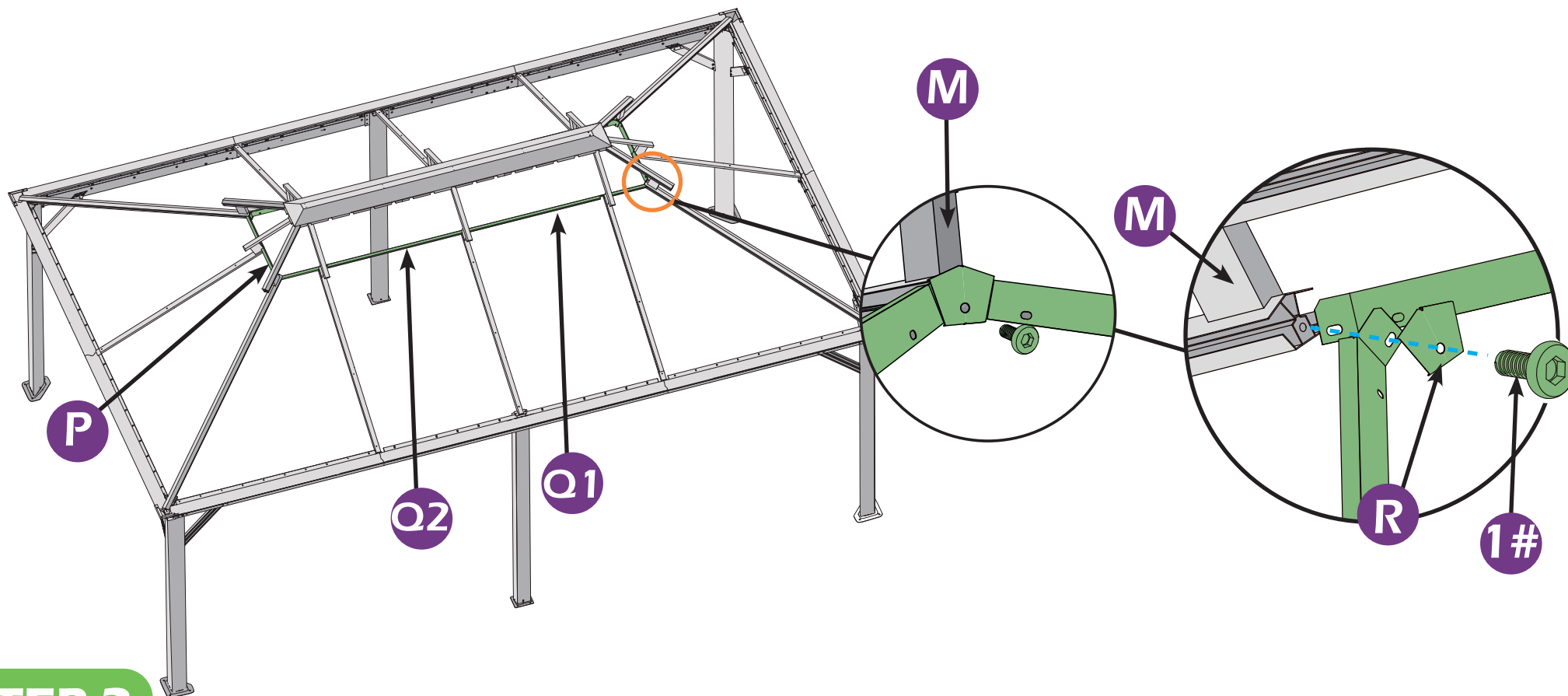
P × 2

R × 4

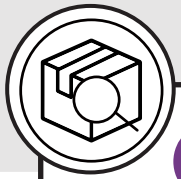
1# × 4

Q1 × 2

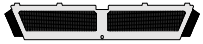
Q2 × 2



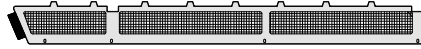
STEP 2



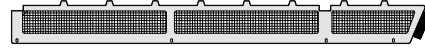
P1×2



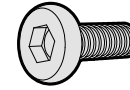
Q3×2



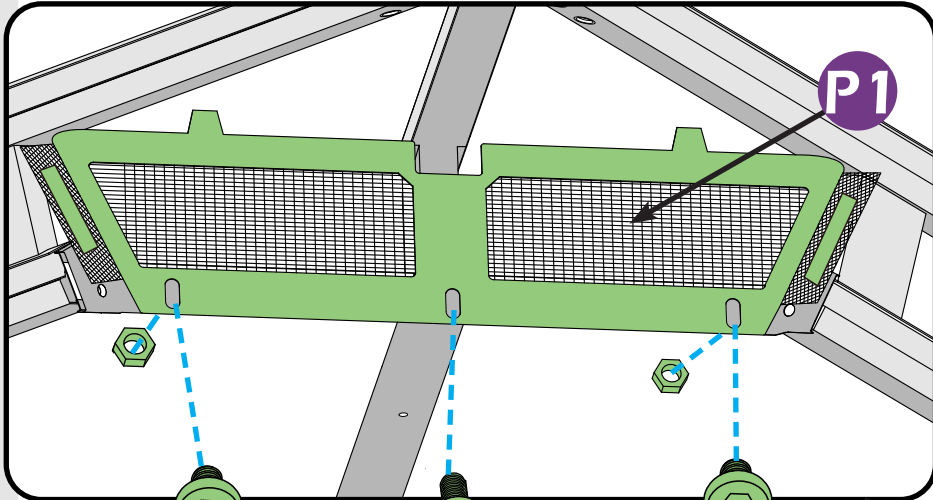
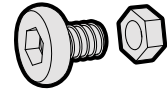
Q4×2



1#×8



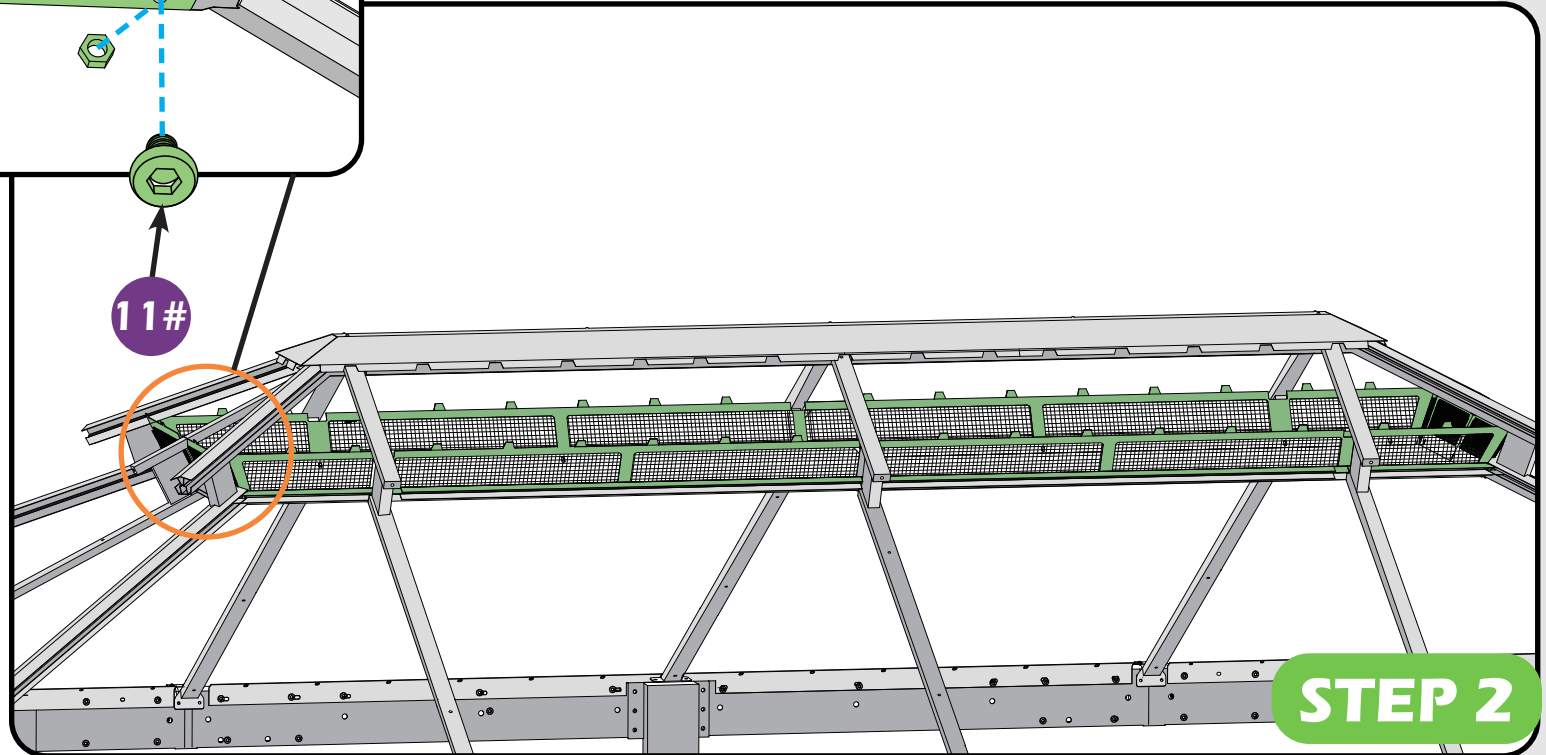
11#×12



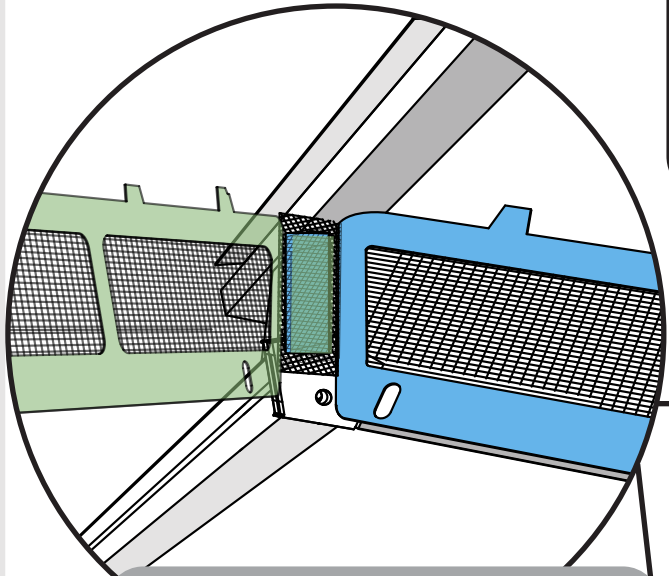
11#

1#

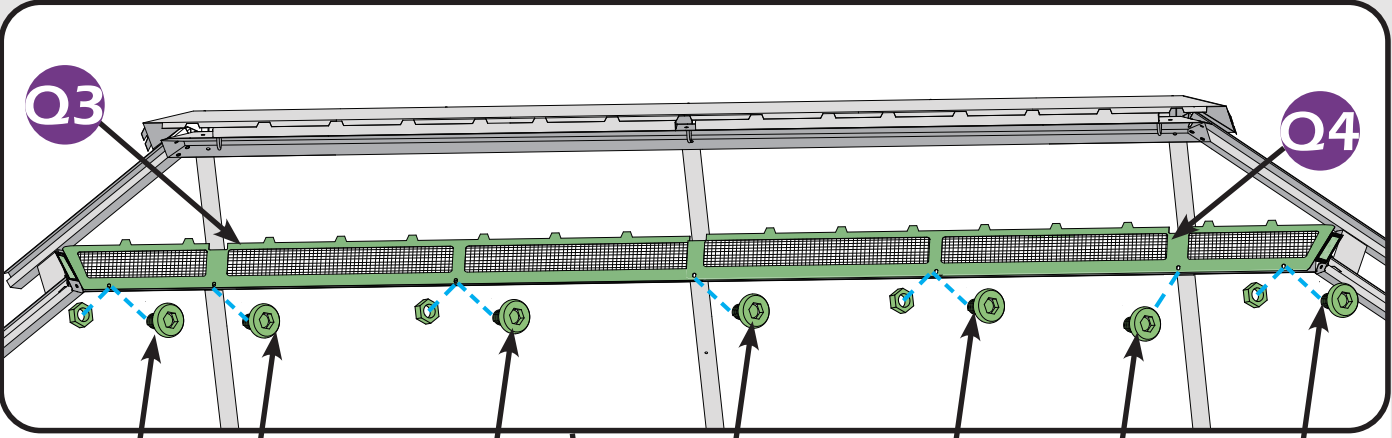
11#



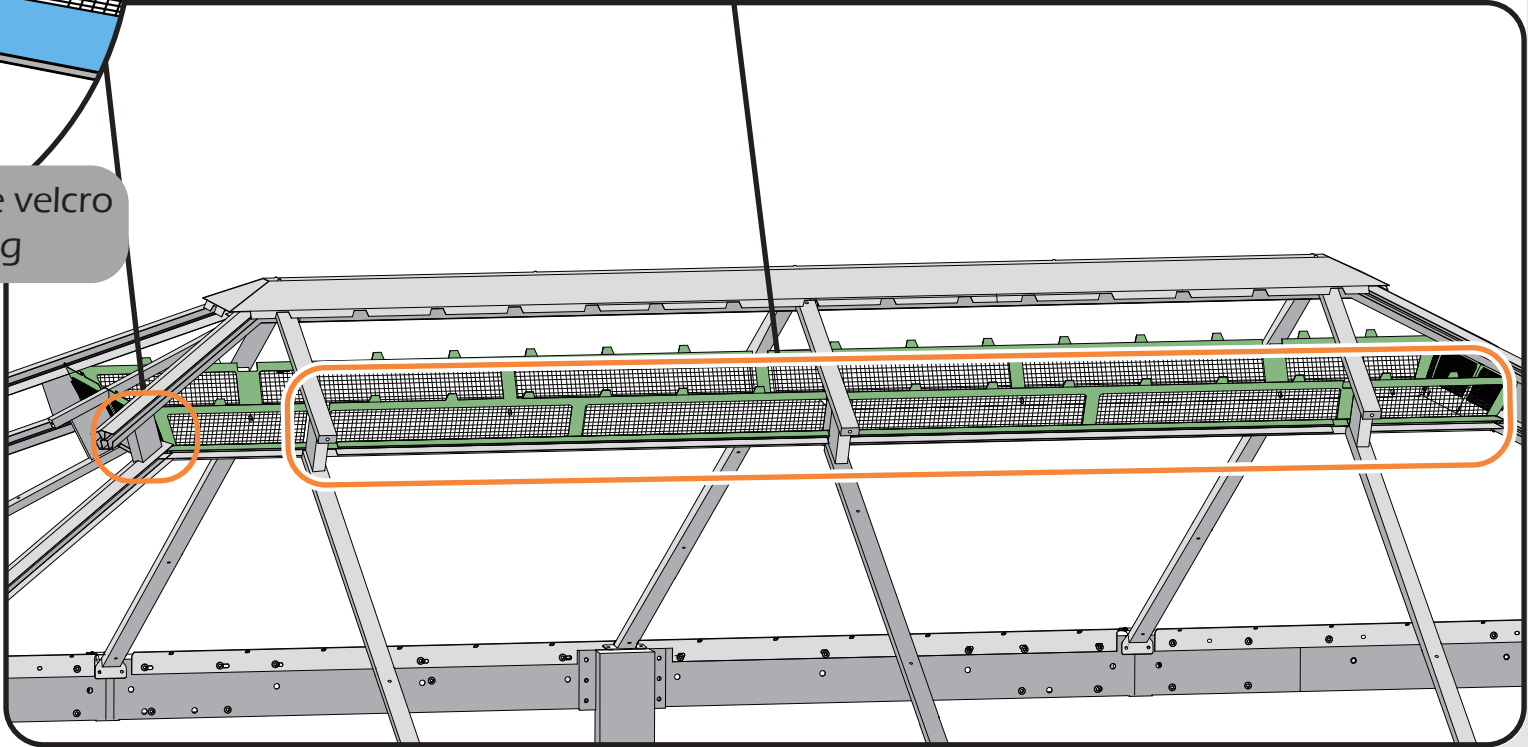
STEP 2



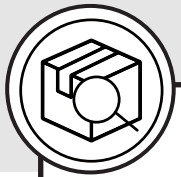
Don't forget to stick the velcro between the bug netting



11# 1# 11# 1# 11# 1# 11#



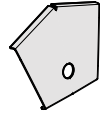
STEP 2



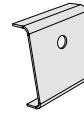
T × 2



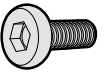
R × 4



R1 × 2



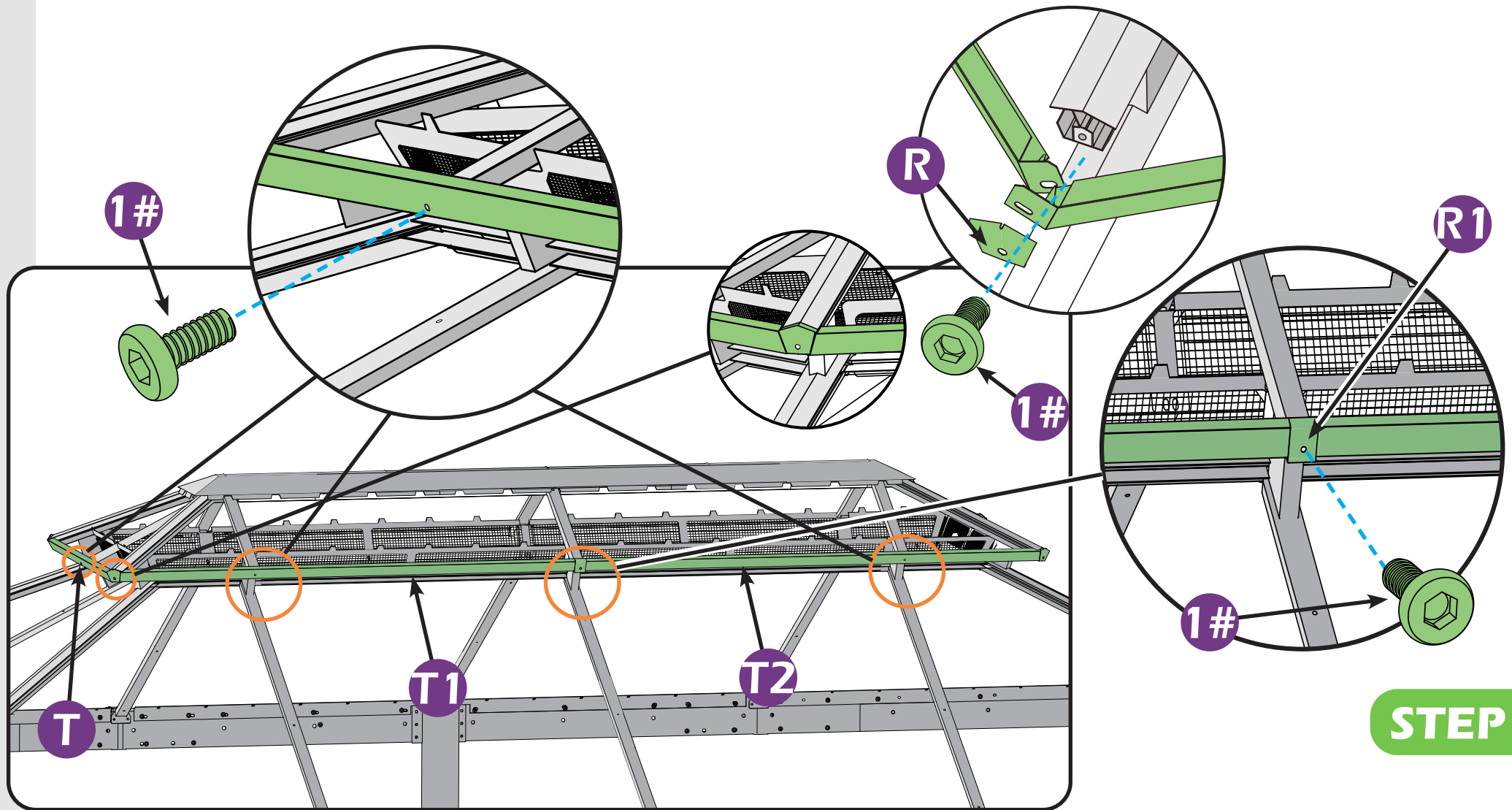
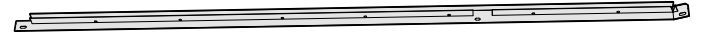
1# × 12



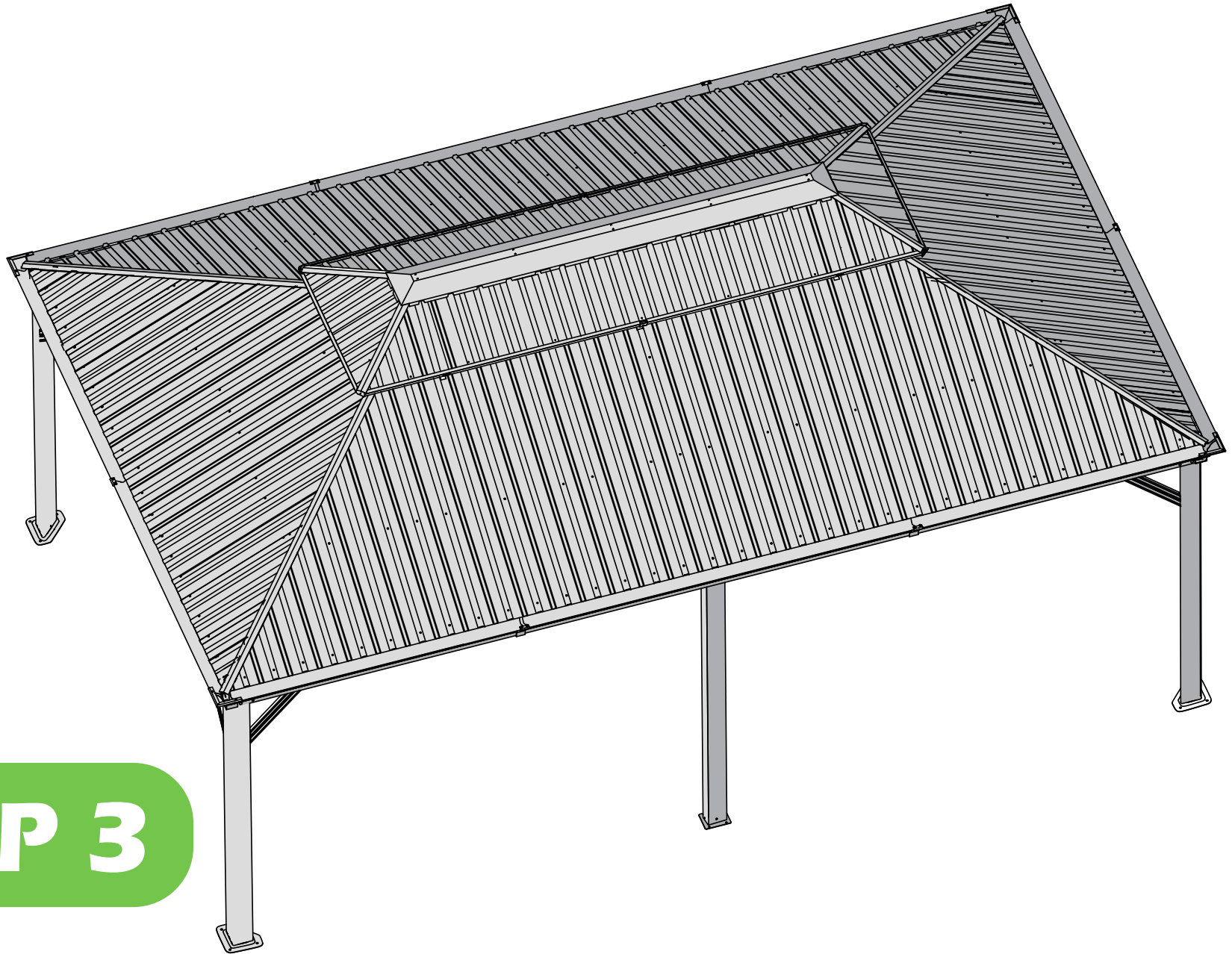
T1 × 2



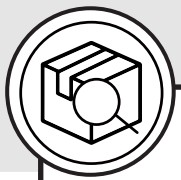
T2 × 2



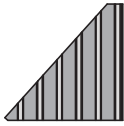
STEP 2



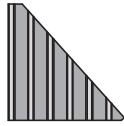
STEP 3



V1 x 2



V2 x 2



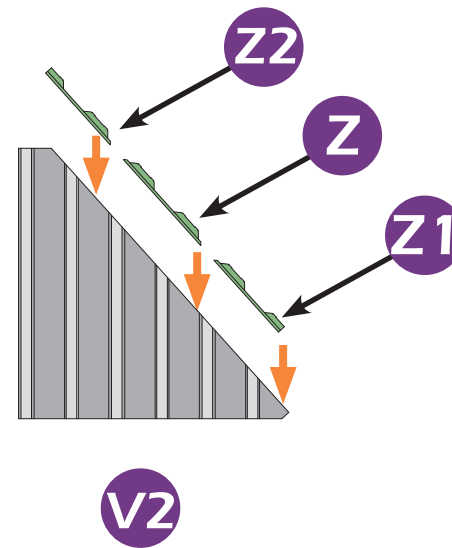
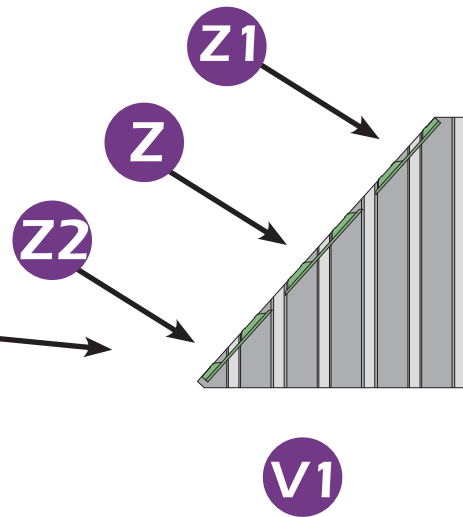
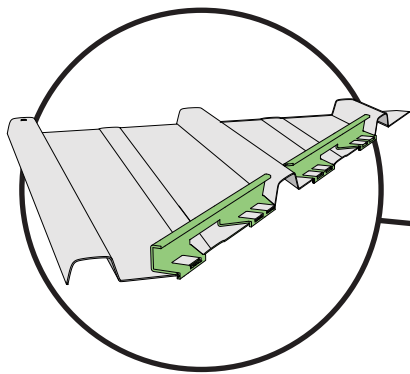
Z1 x 4



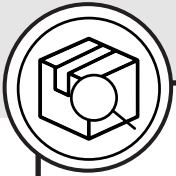
Z x 4



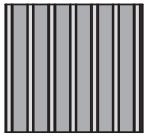
Z2 x 4



STEP 3



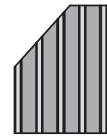
V × 8



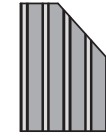
V3 × 2



V4 × 2



V5 × 2



V6 × 2



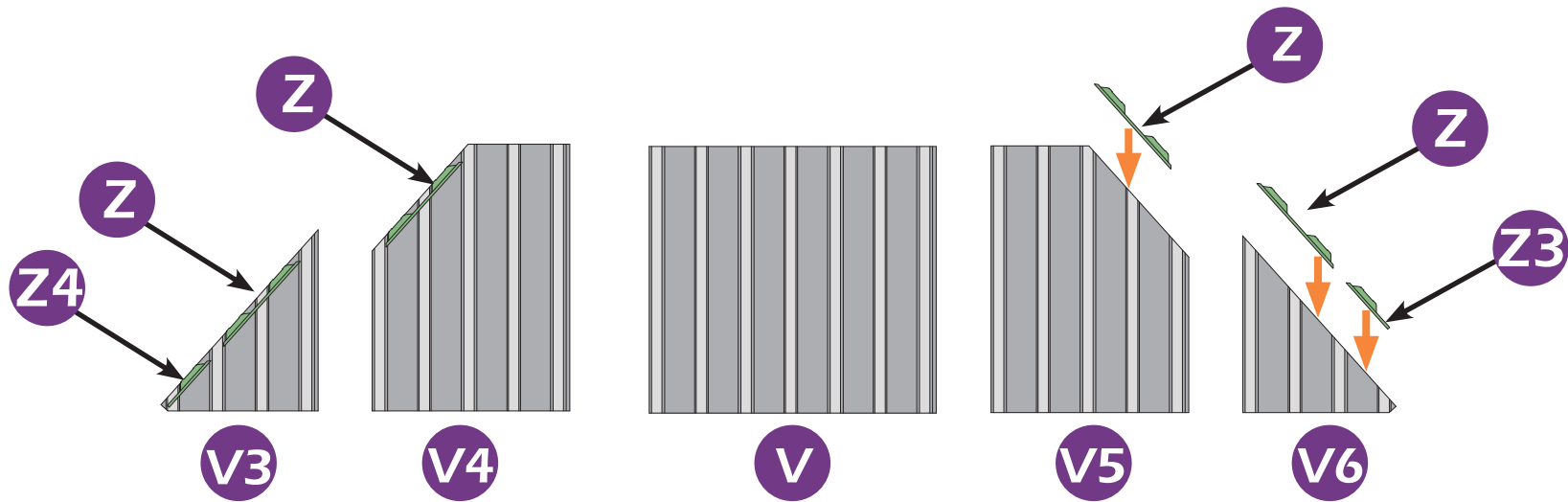
Z × 8



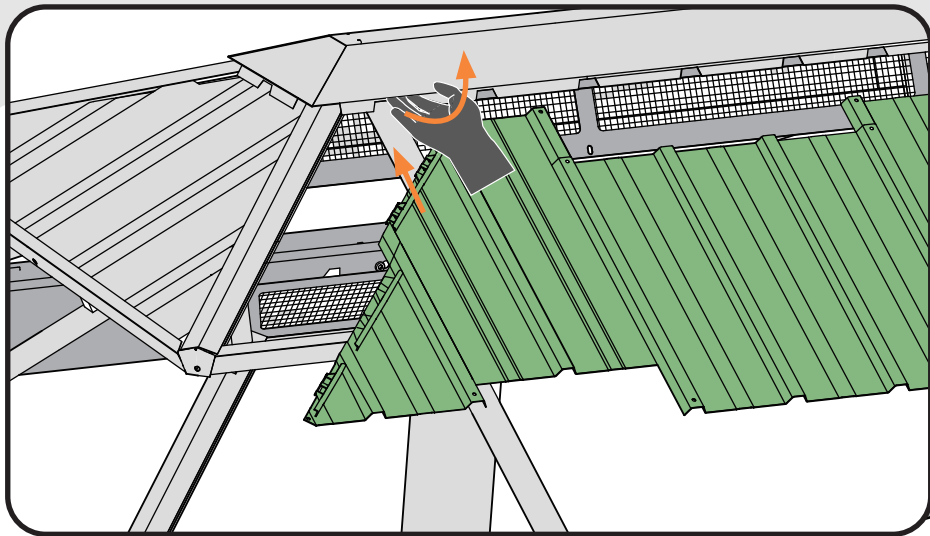
Z3 × 2



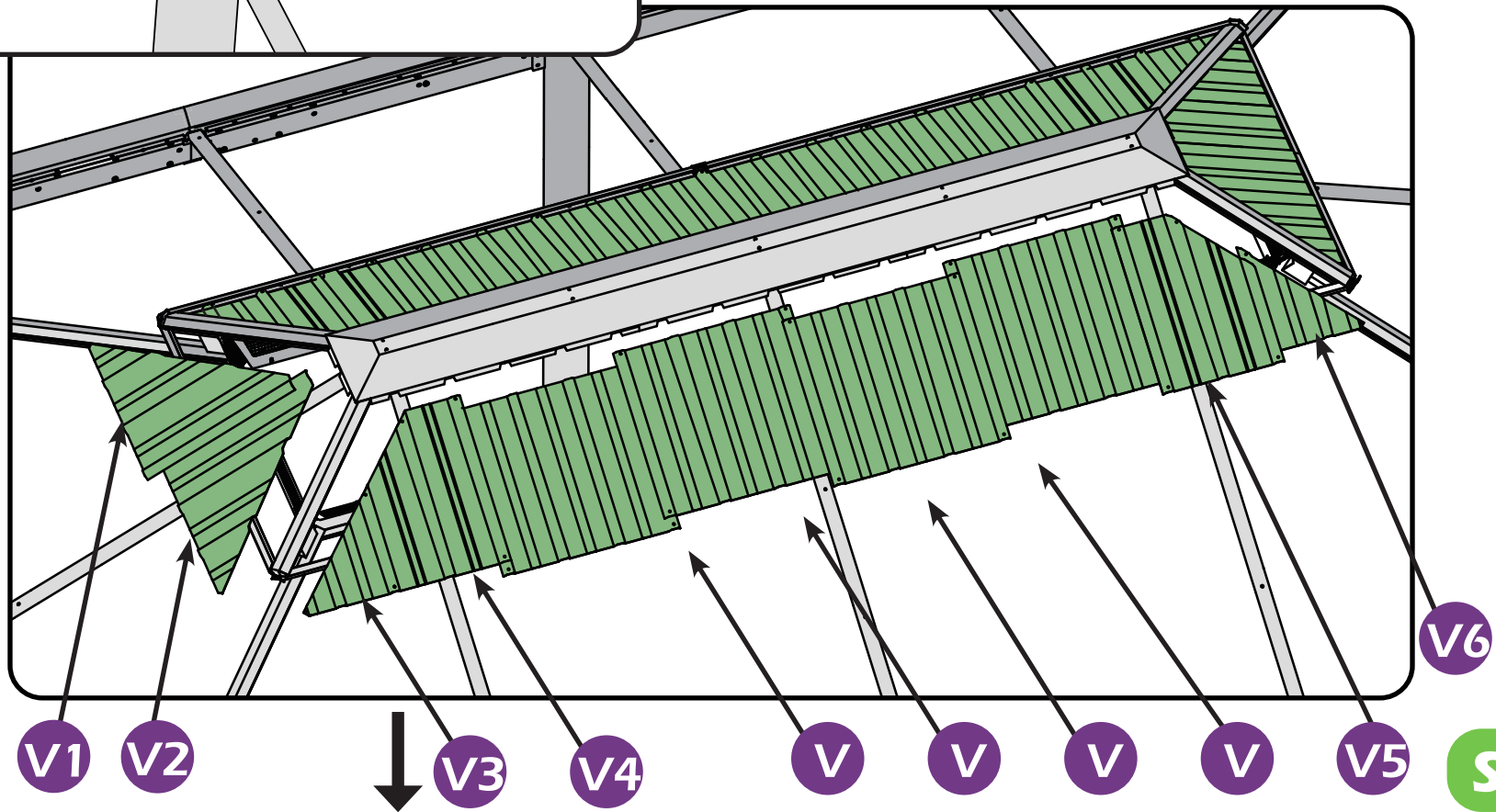
Z4 × 2



STEP 3



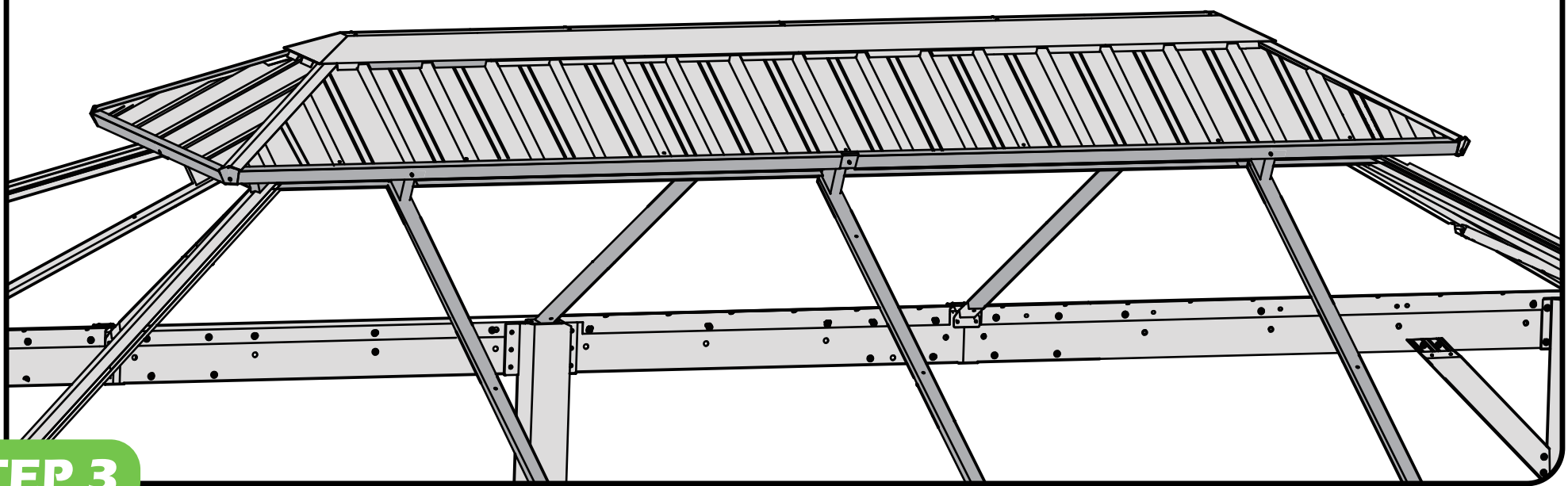
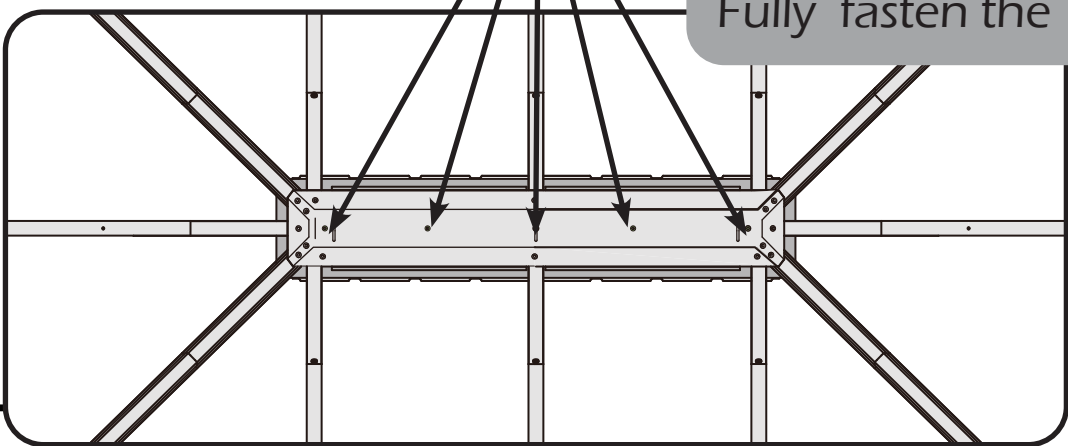
If you can't install **V4** or **V5**, push the part K up and try to insert them again.



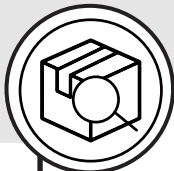
STEP 3

1#

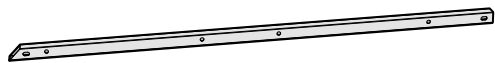
Fully fasten the 1# bolts in K & K1.



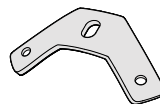
STEP 3



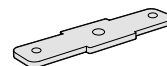
U1 × 4



U3 × 4



U4 × 8

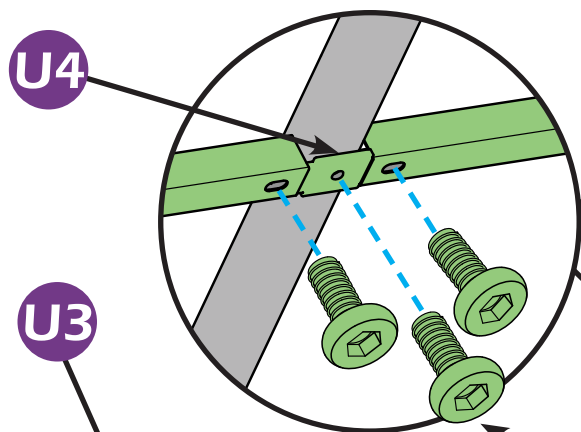
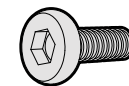


1# × 36

U2 × 4



U5 × 4



U4

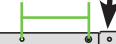
U3

1#

3.34 in.



5.23 in.

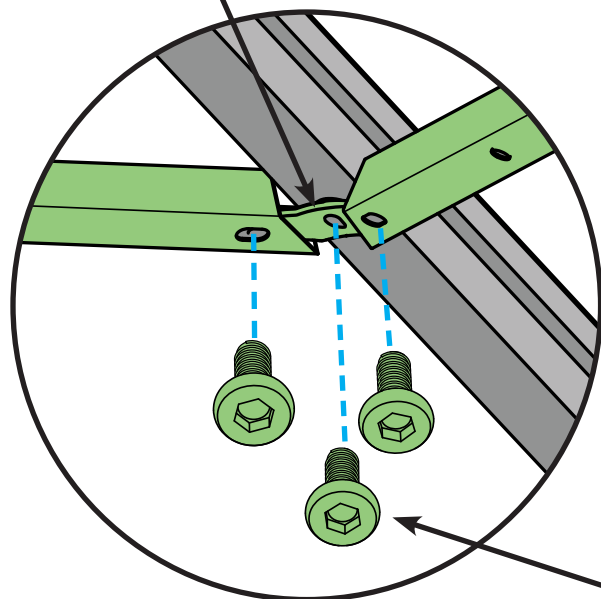


5.23 in.

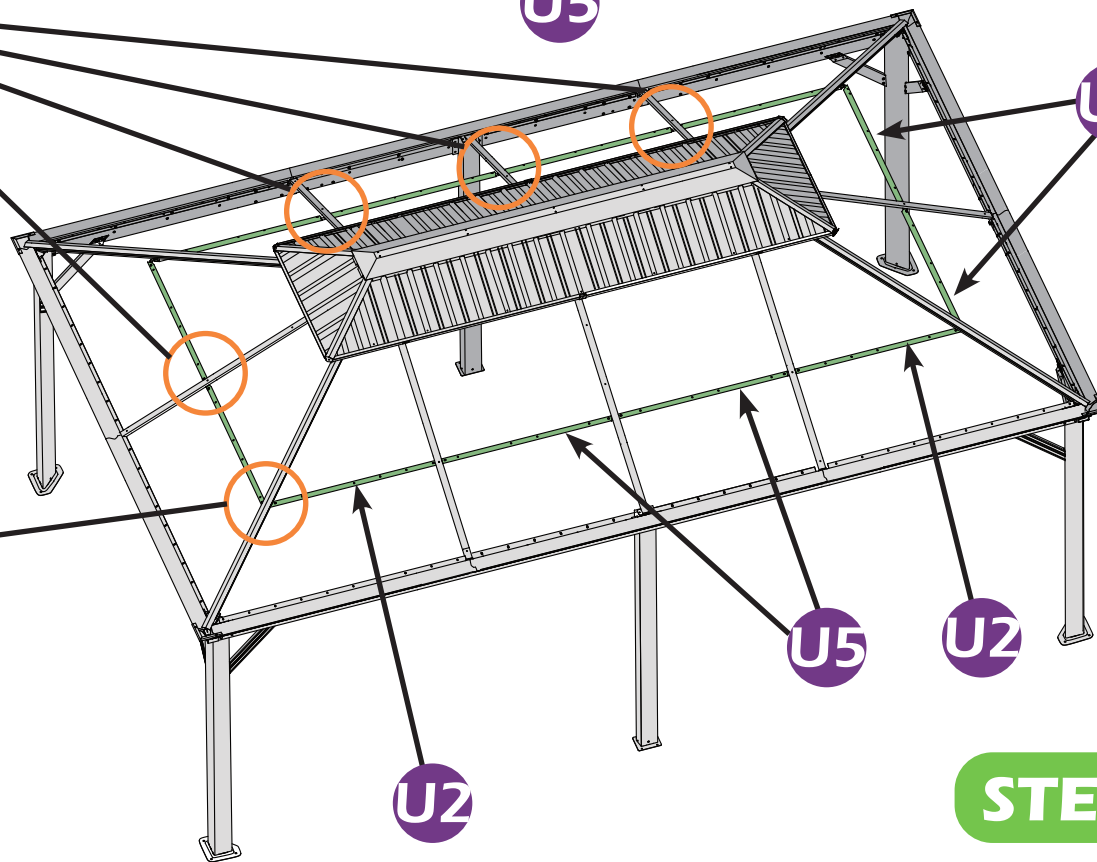


U5

3.34 in.



1#



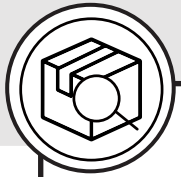
U1

U5

U2

U2

STEP 3



W1 × 2

W2 × 2

W3 × 2

W4 × 2

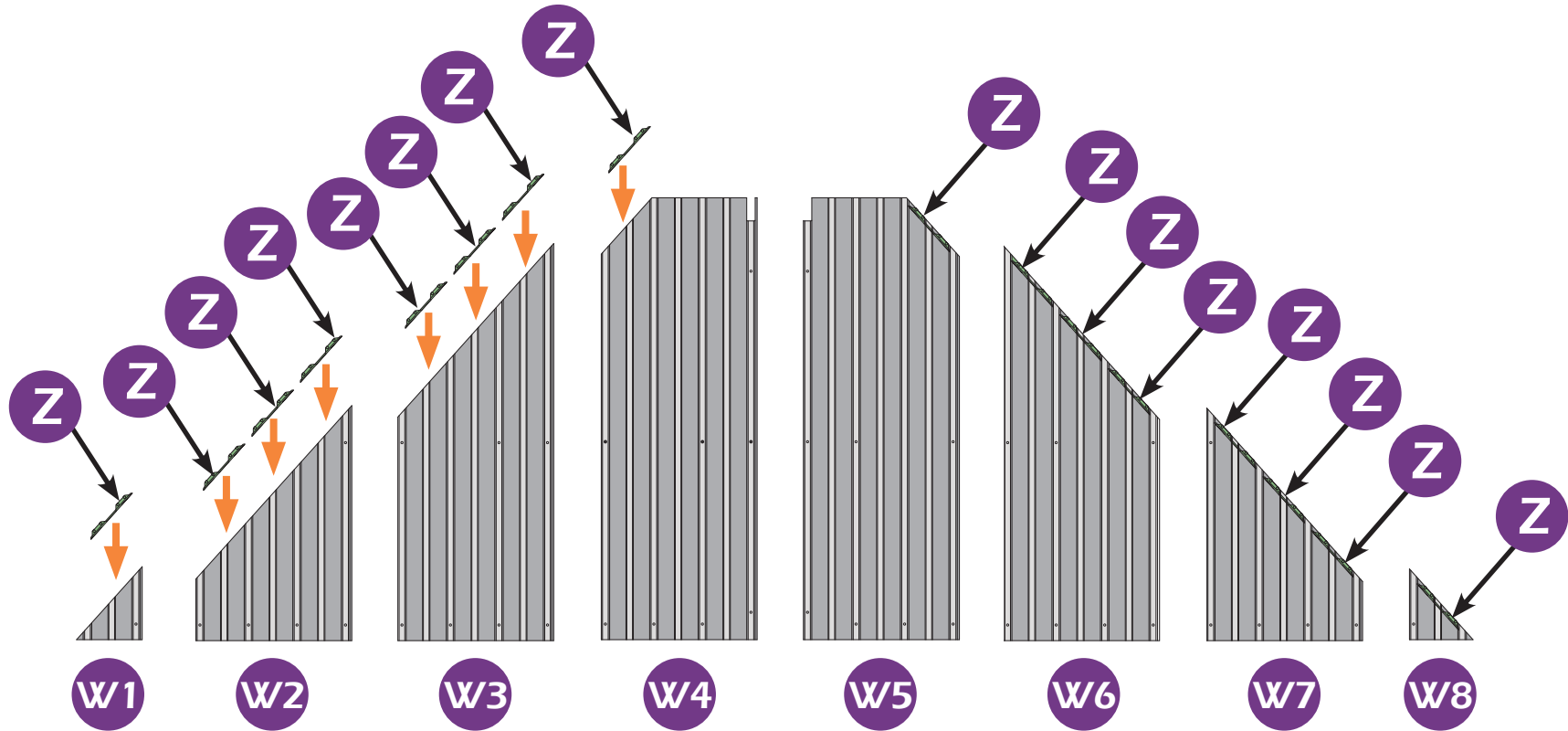
Z × 32

W8 × 2

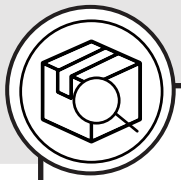
W7 × 2

W6 × 2

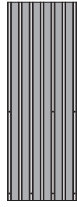
W5 × 2



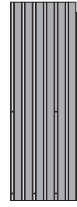
STEP 3



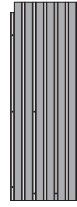
X5 × 2



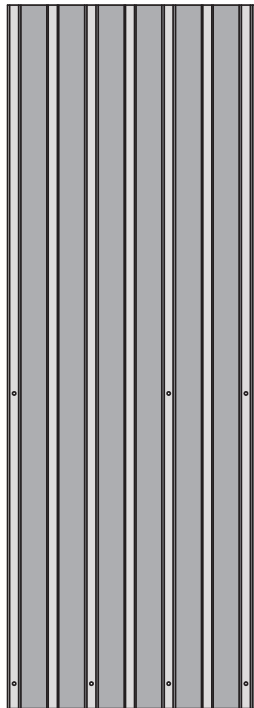
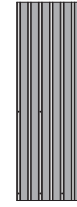
X6 × 2



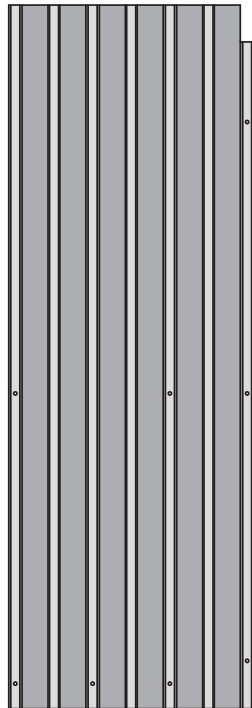
X7 × 2



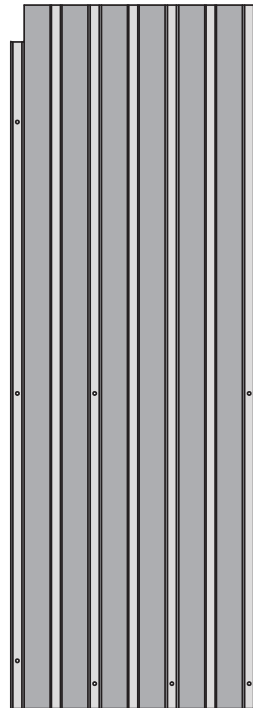
X8 × 2



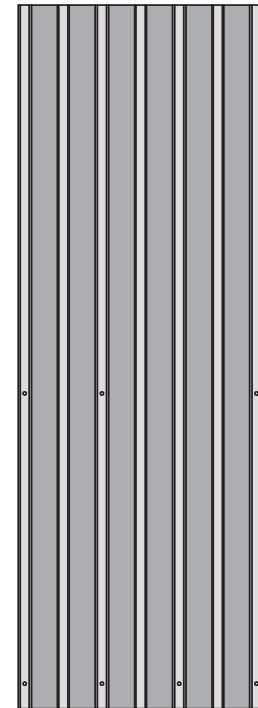
X5



X6

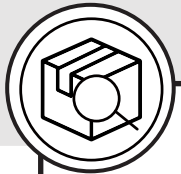


X7



X8

STEP 3



X1 × 2

X2 × 2

X3 × 2

X4 × 2

Z × 28

X9 × 2

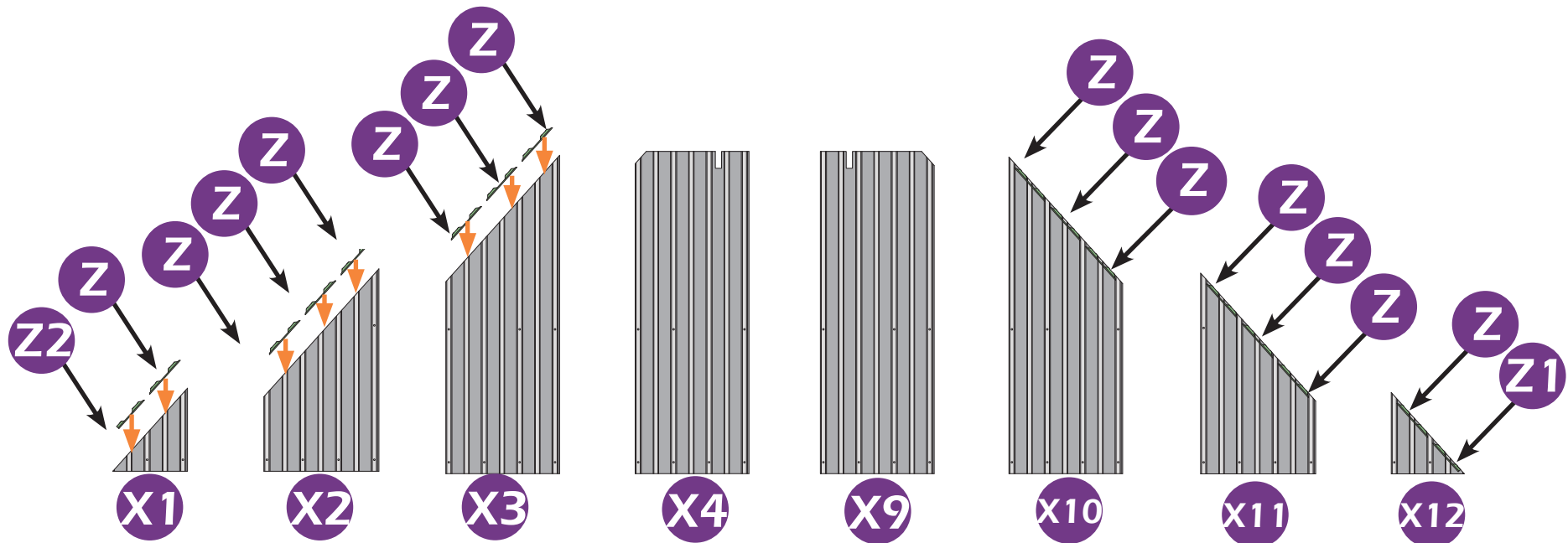
X10 × 2

X11 × 2

X12 × 2

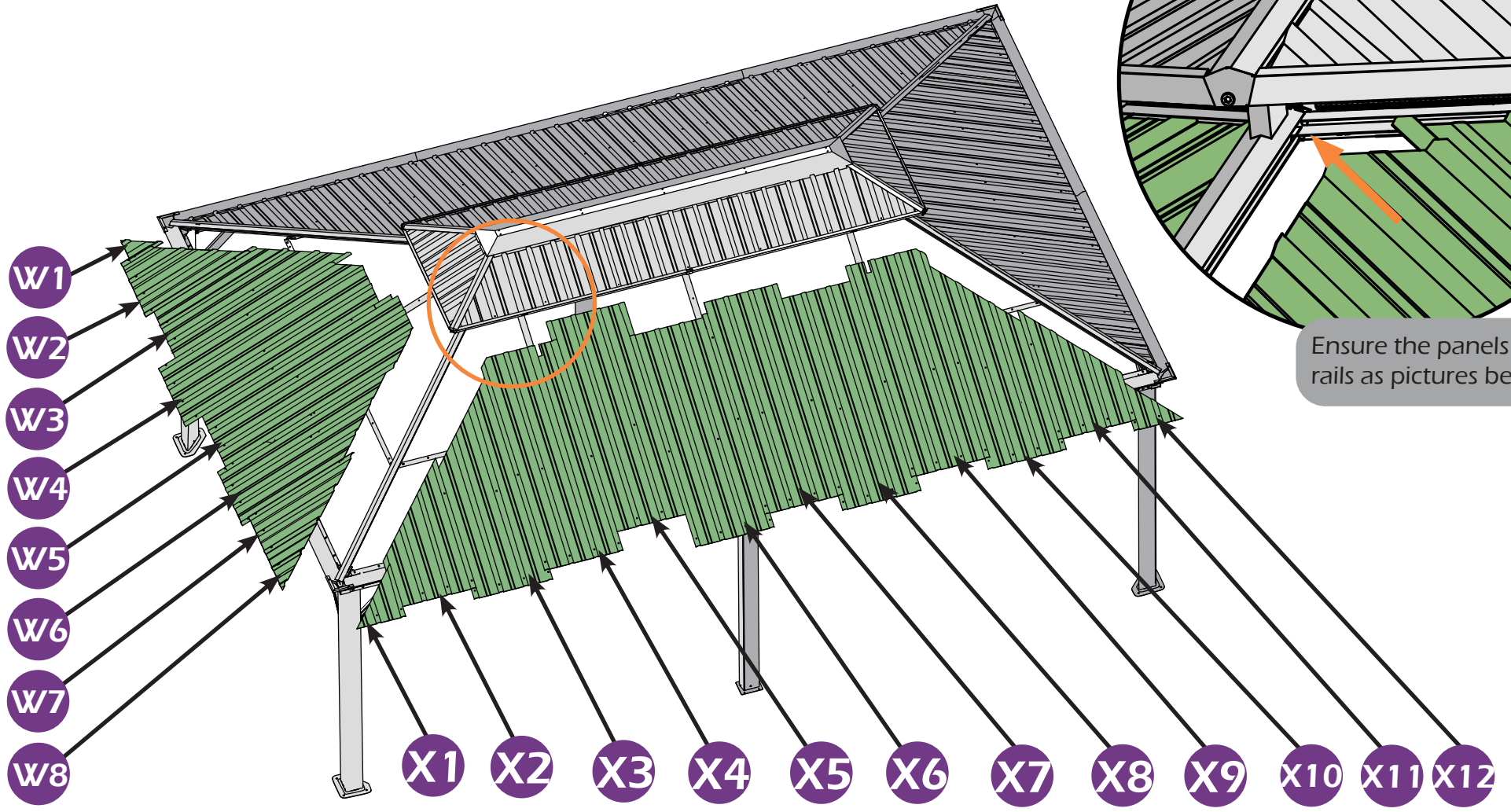
Z1 × 2

Z2 × 2



STEP 3

Install the middle panels (X6 , X7 or W4 , W5) then the small panels on the edge.

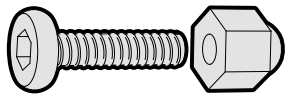


Ensure the panels stay in the rails as pictures below indicate.

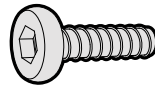
STEP 3



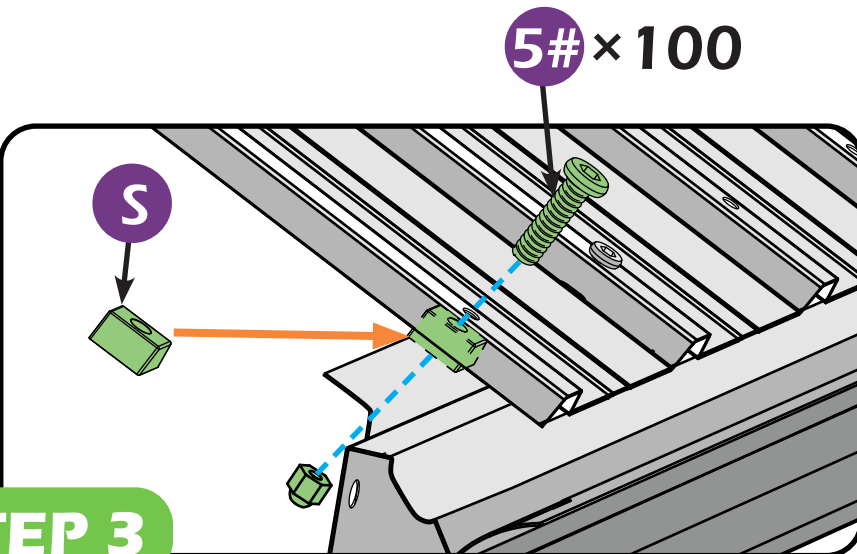
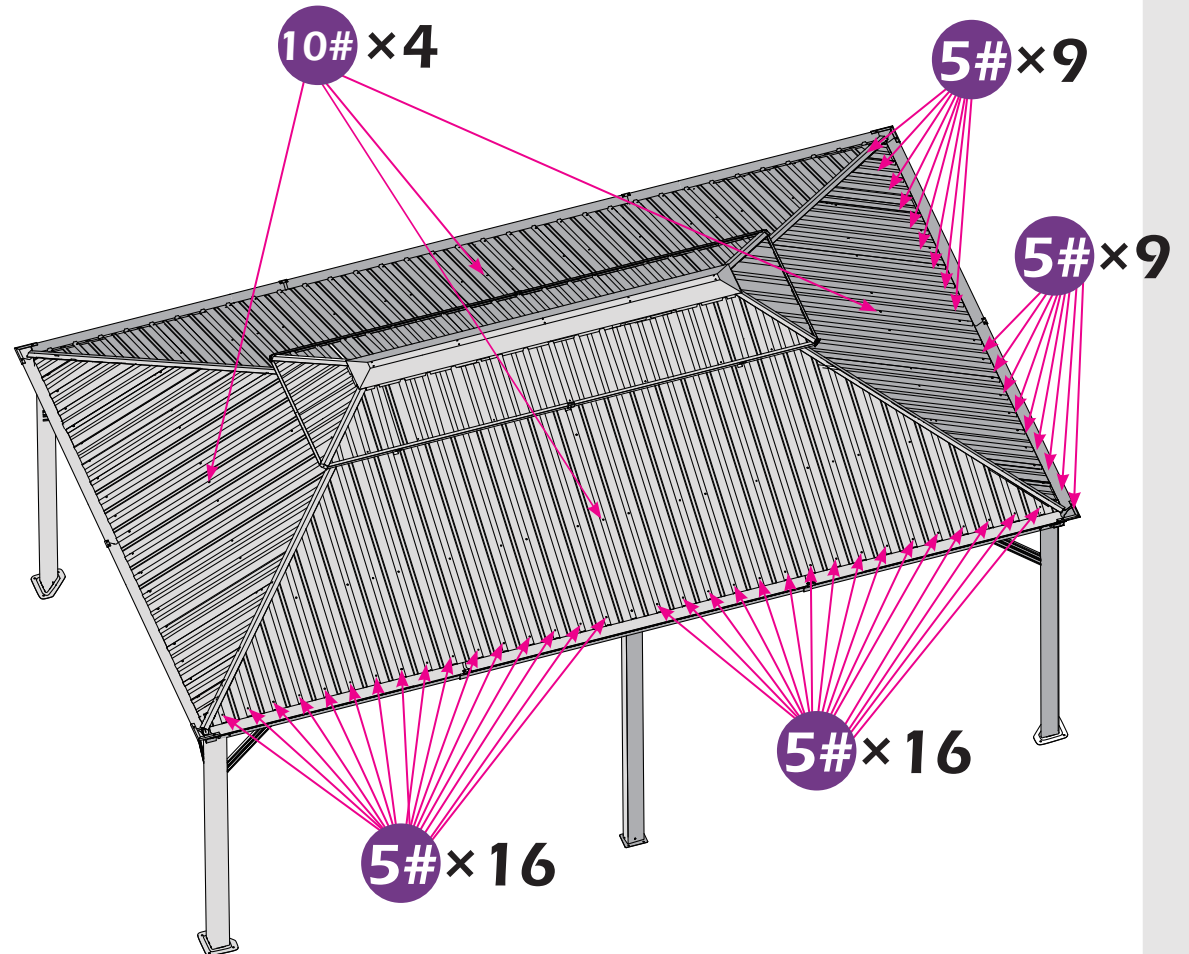
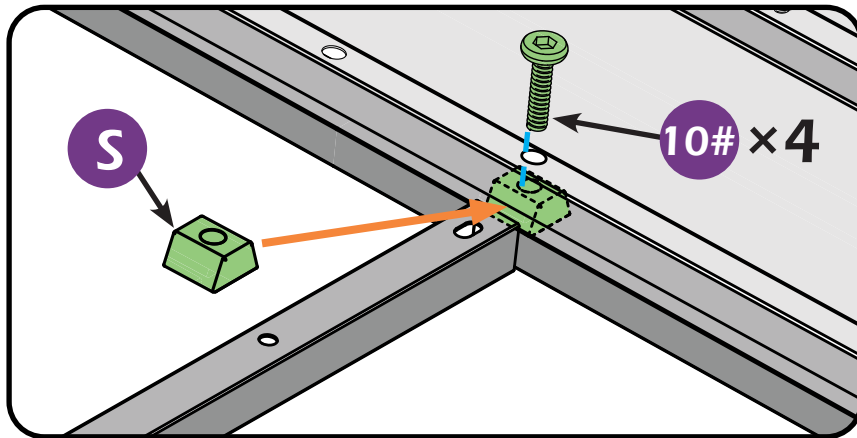
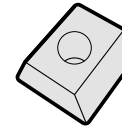
5#×100



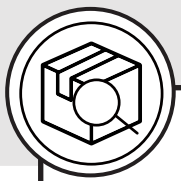
10#×4



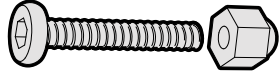
S×104



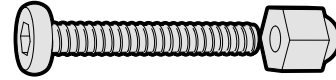
STEP 3



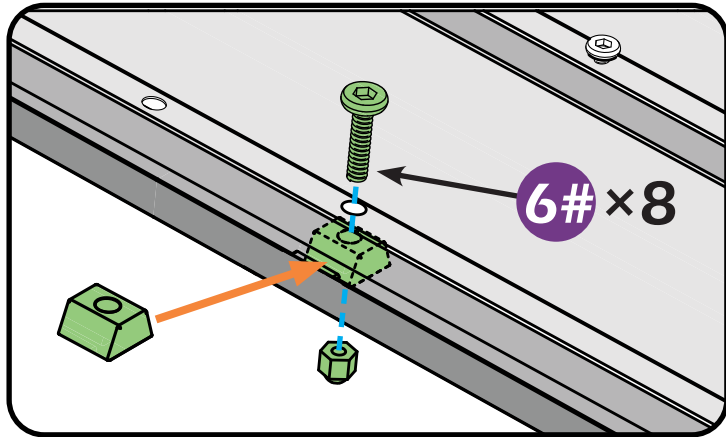
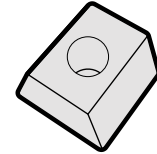
6#×8



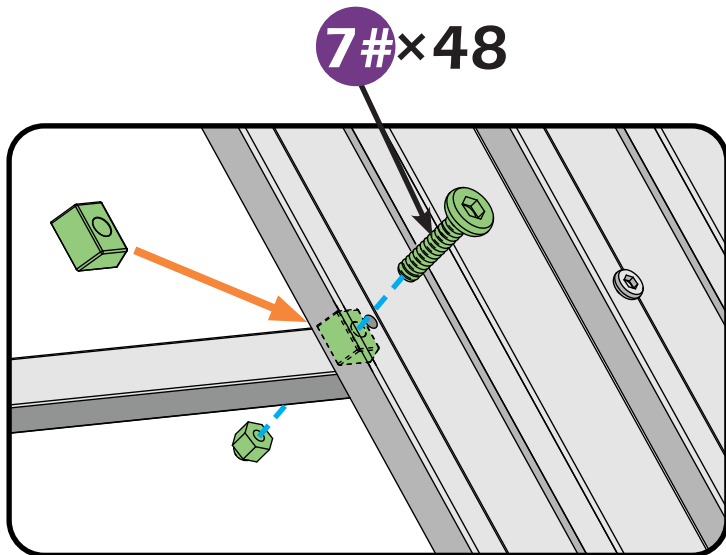
7#×48



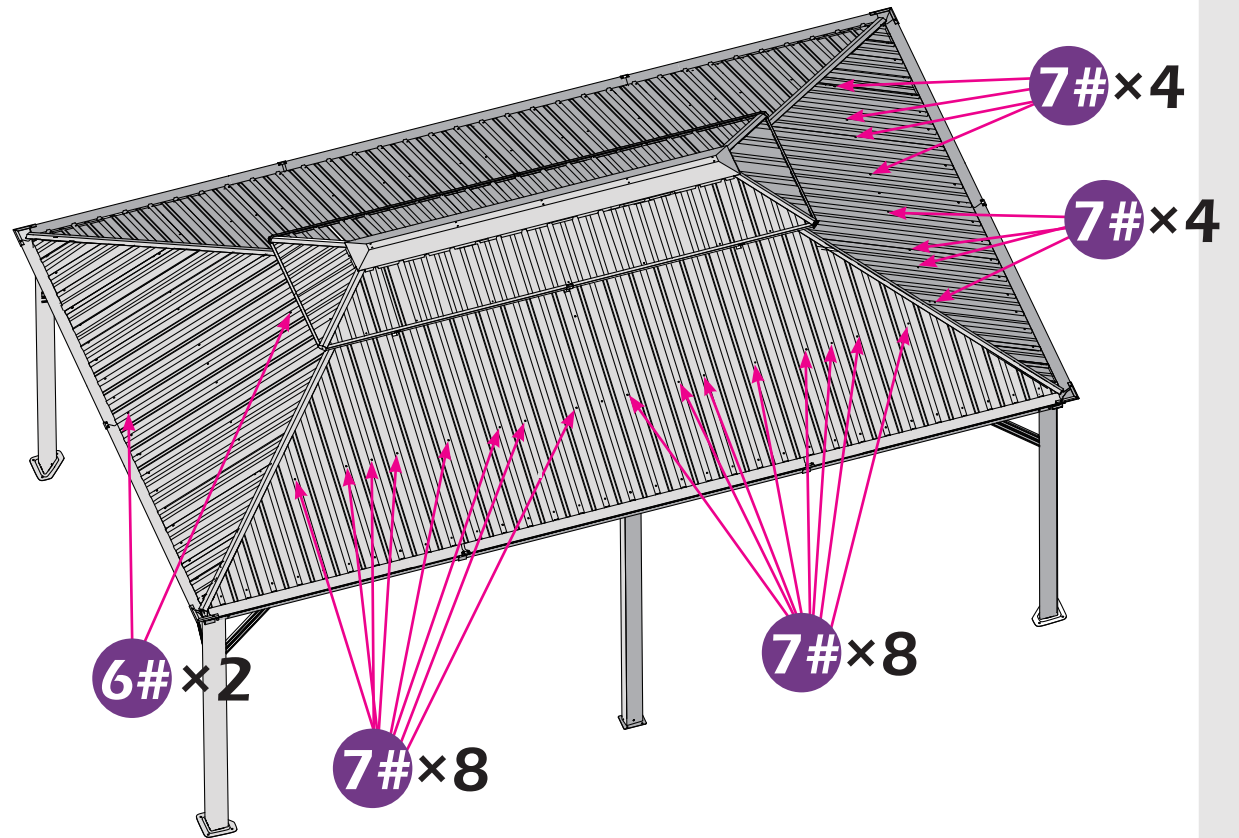
S×56



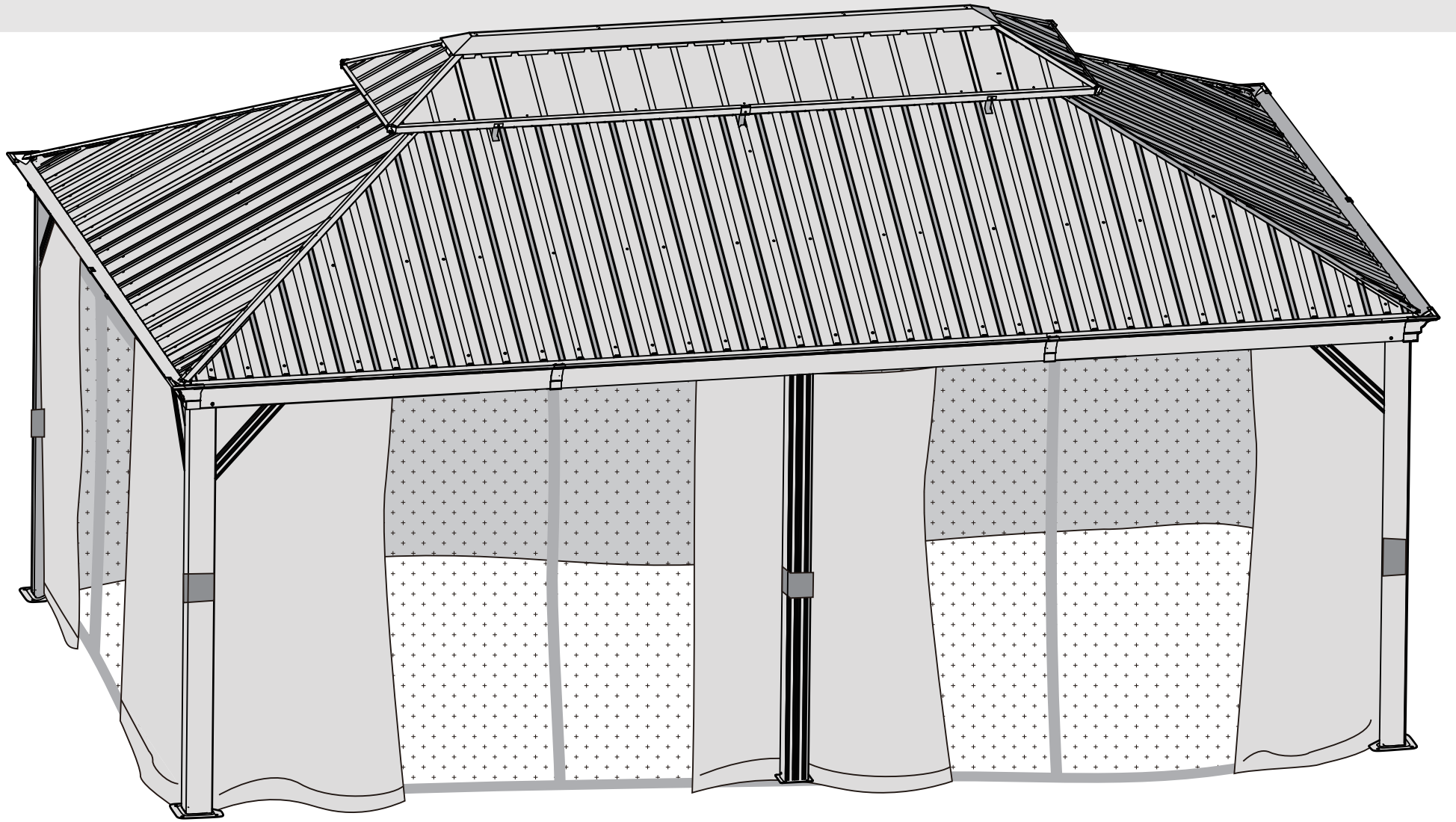
6#×8



7#×48



STEP 3



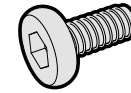
STEP 4



C1 × 2



1# × 20

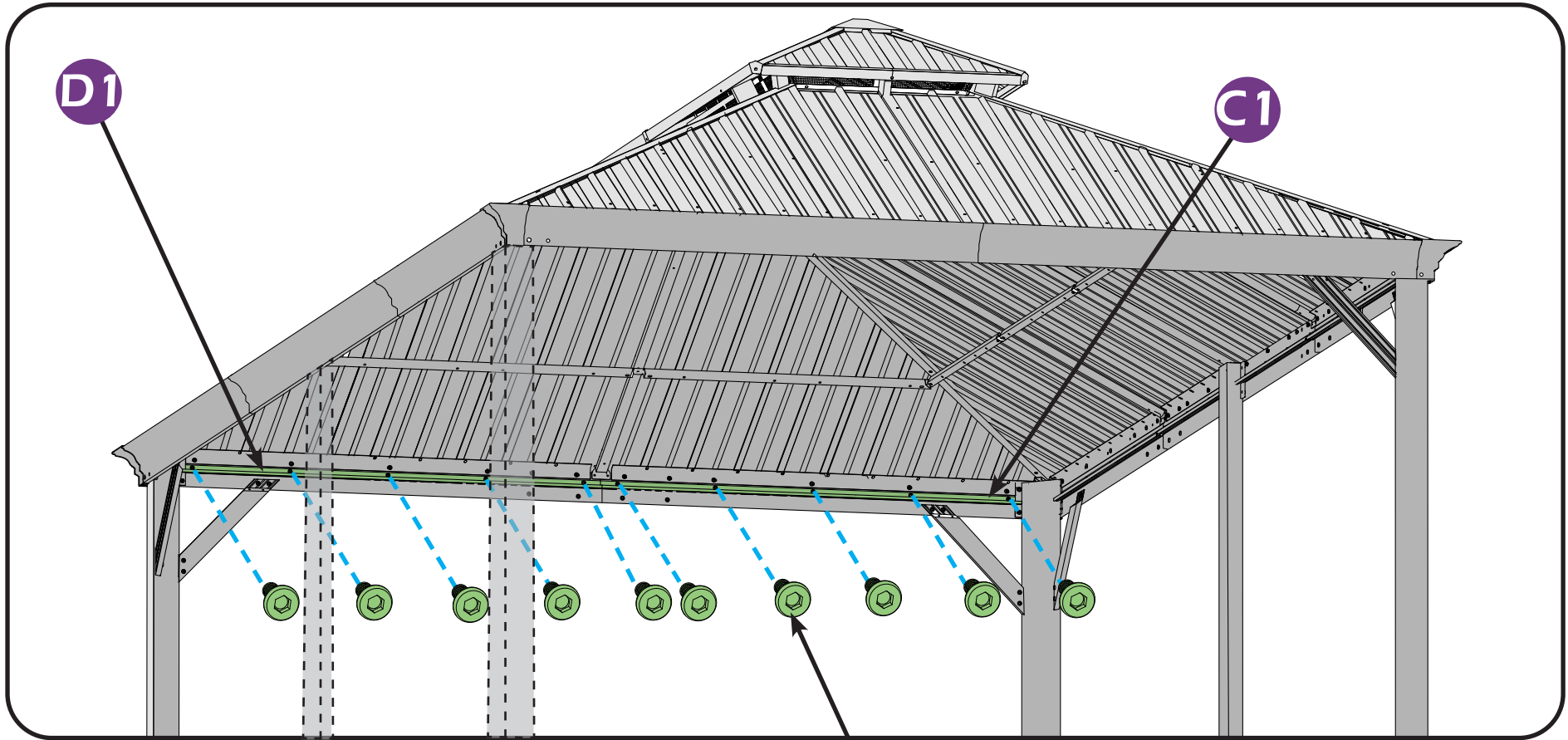


D1 × 2



D1

C1



1# × 10

STEP 4



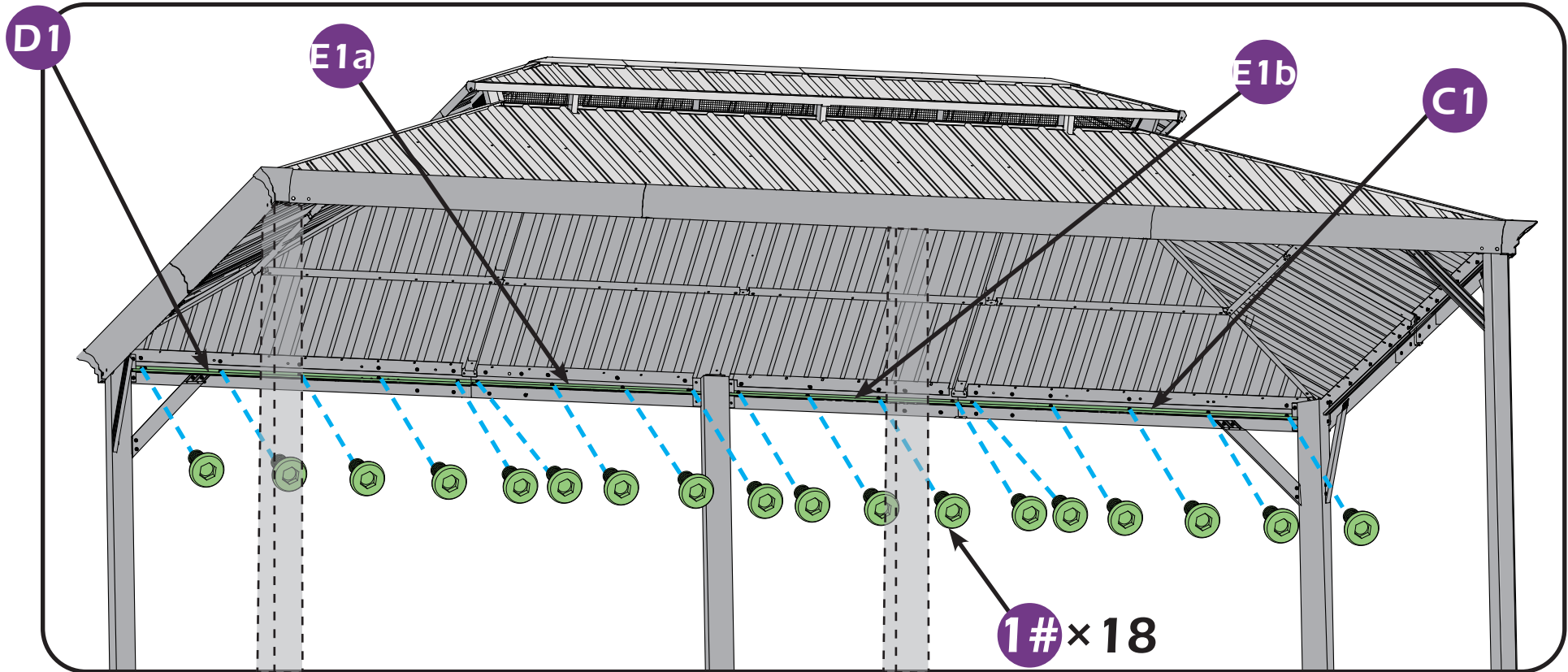
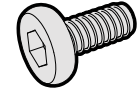
C1 × 2

E1a × 2

1# × 36

D1 × 2

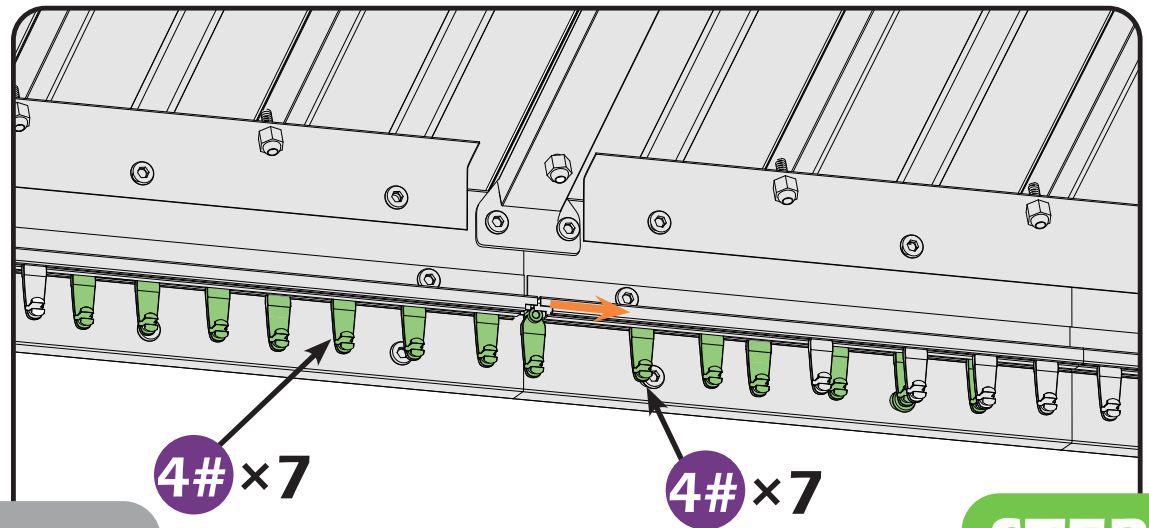
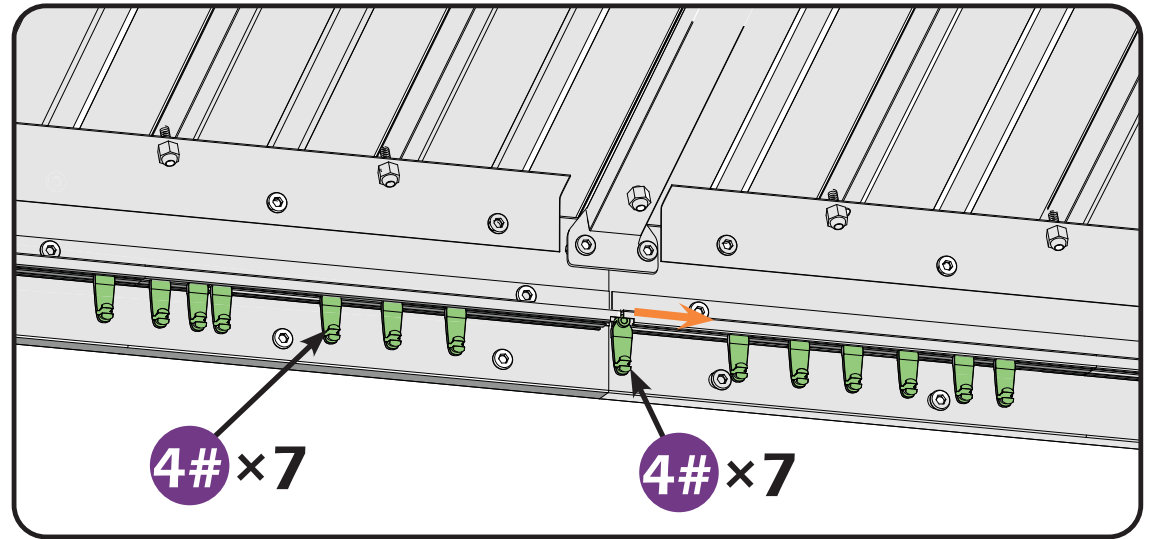
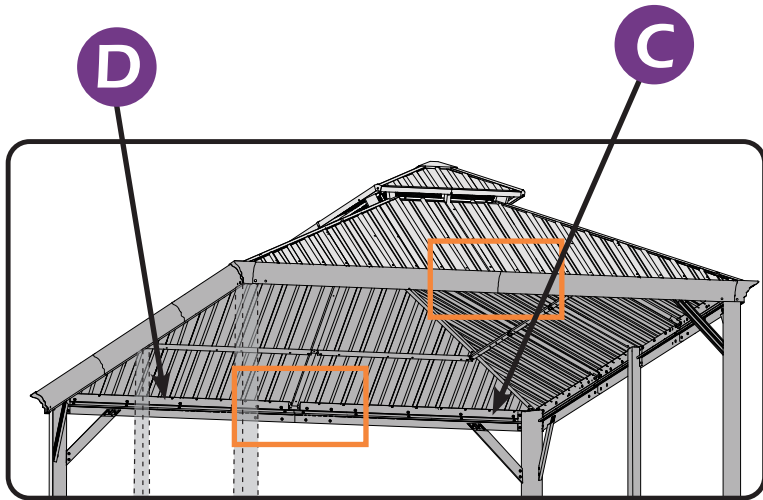
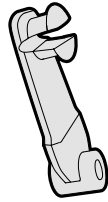
E1b × 2



STEP 4



4#×56

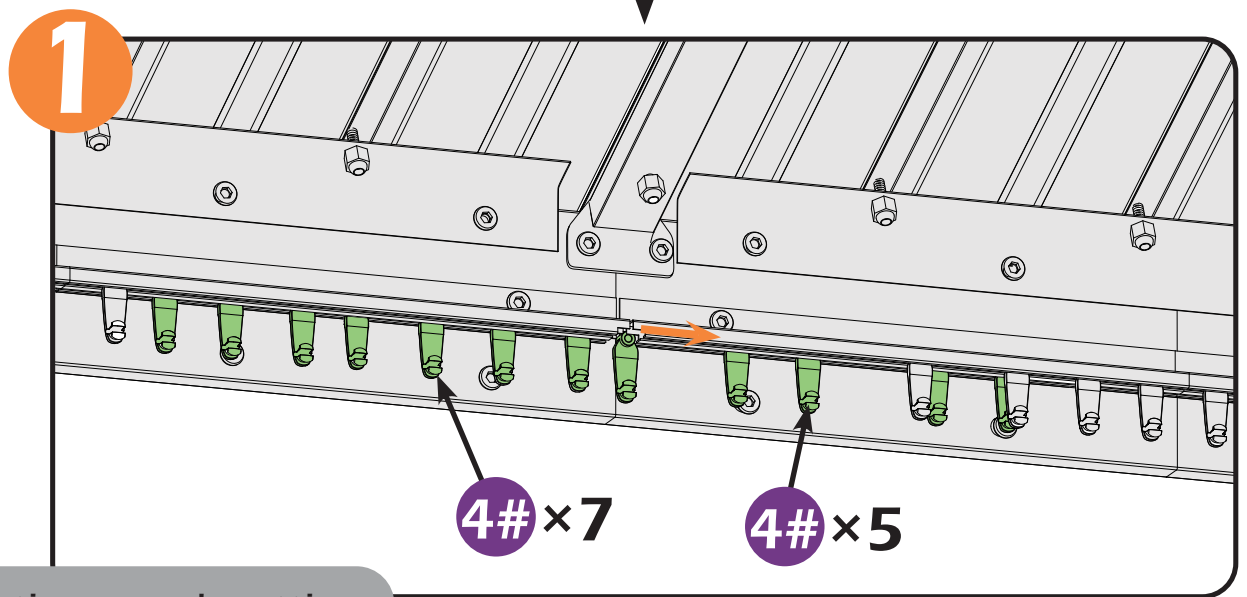
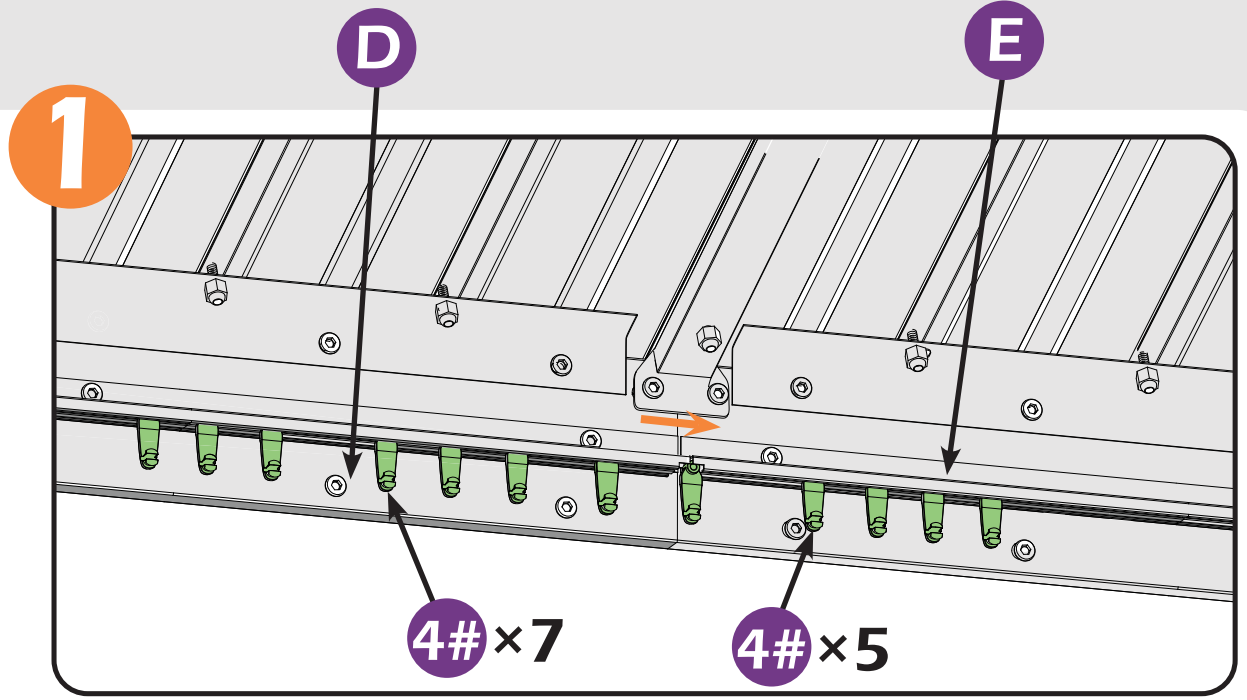
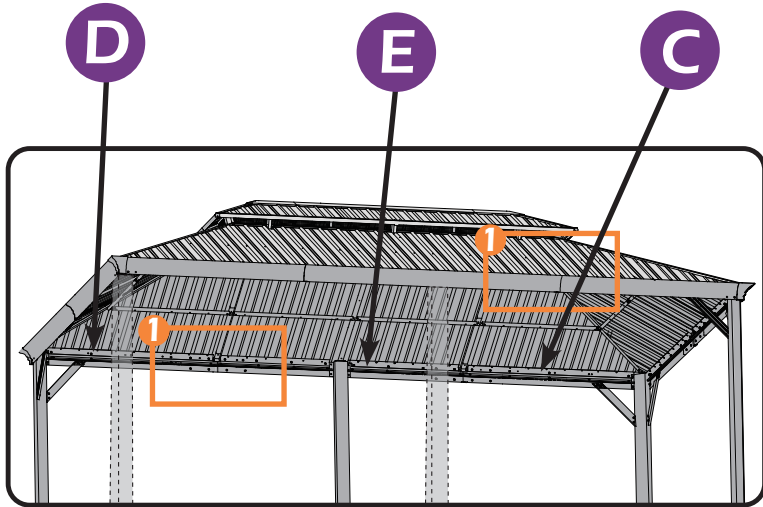
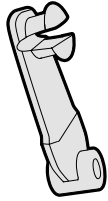


Here are two rails for curtains and netting .

STEP 4



4#×48

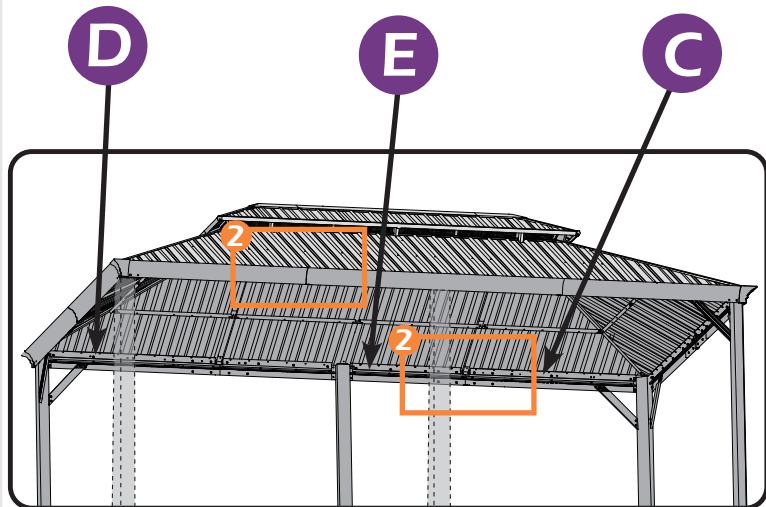
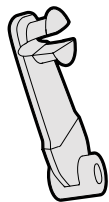


STEP 4

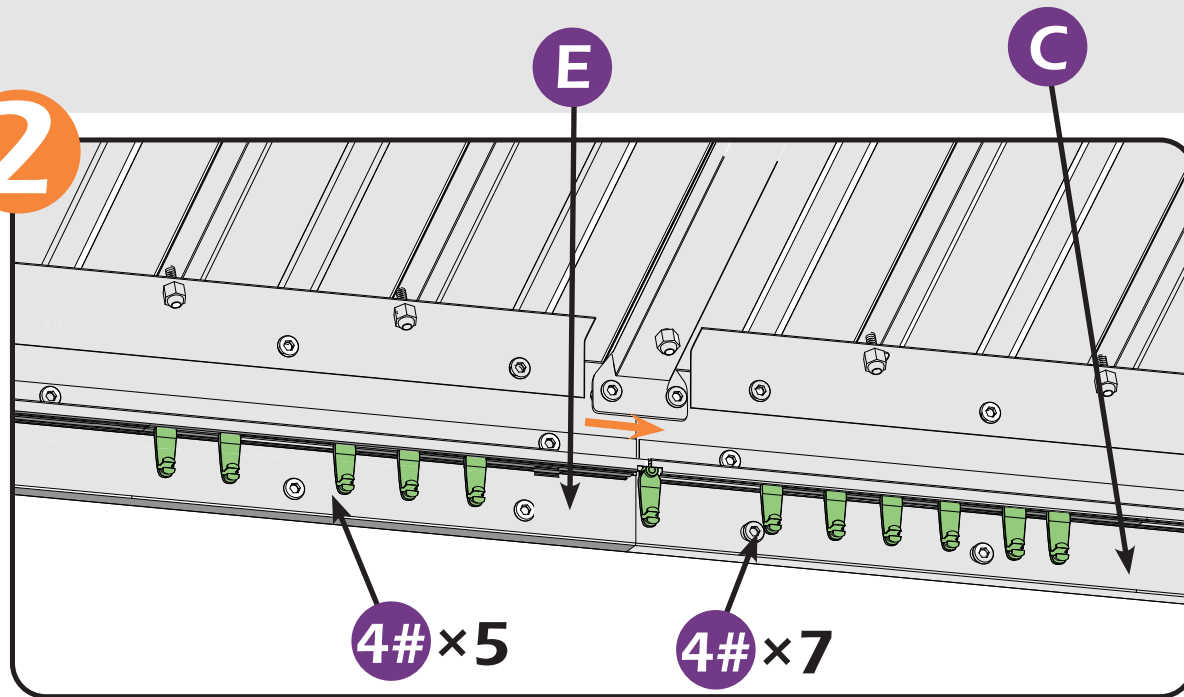
Here are two rails for curtains and netting.



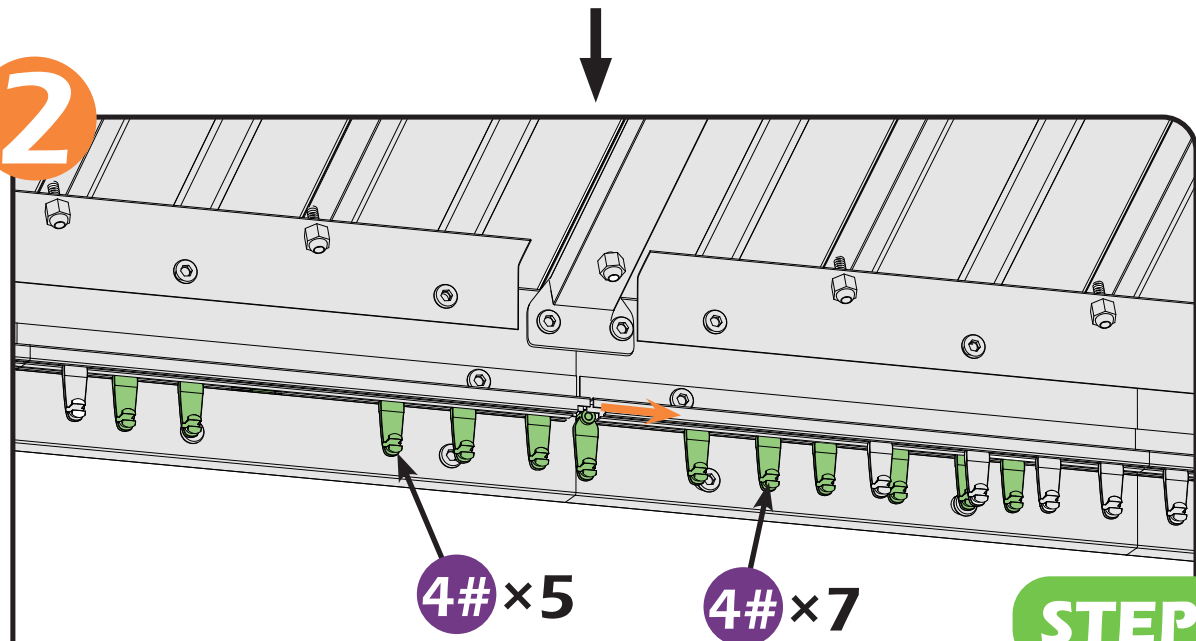
4# × 48



2



2

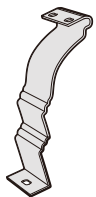


STEP 4

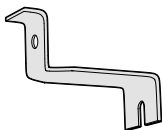
Here are two rails for curtains and netting.



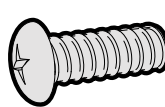
H×6



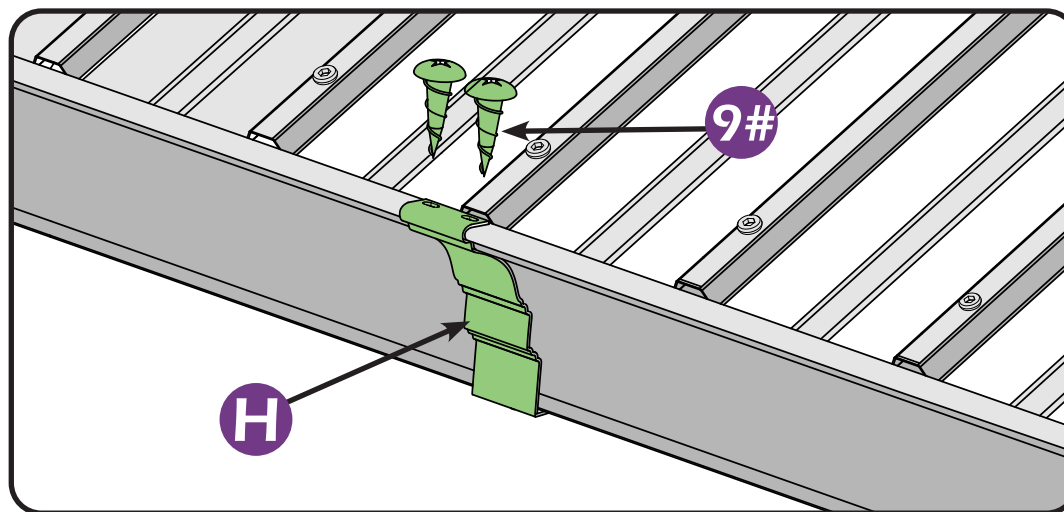
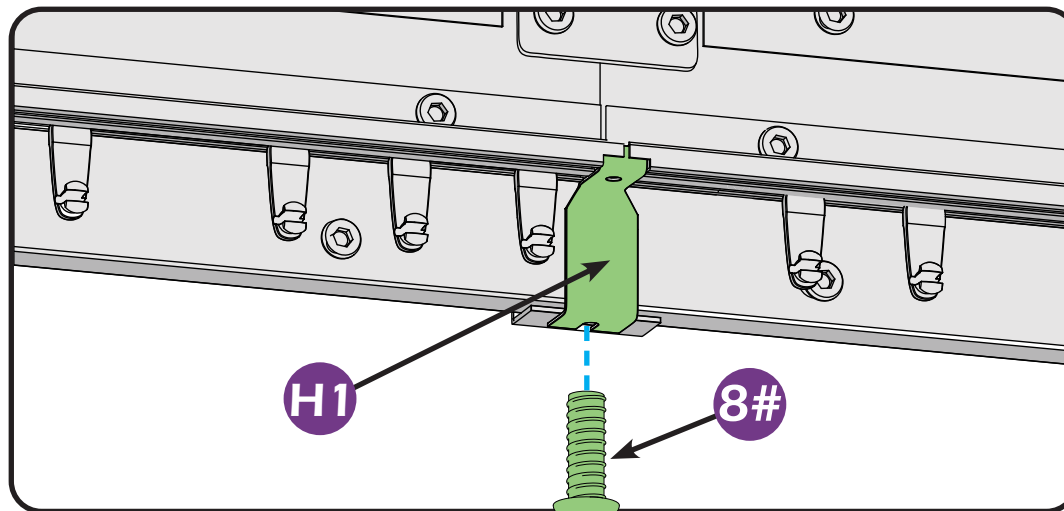
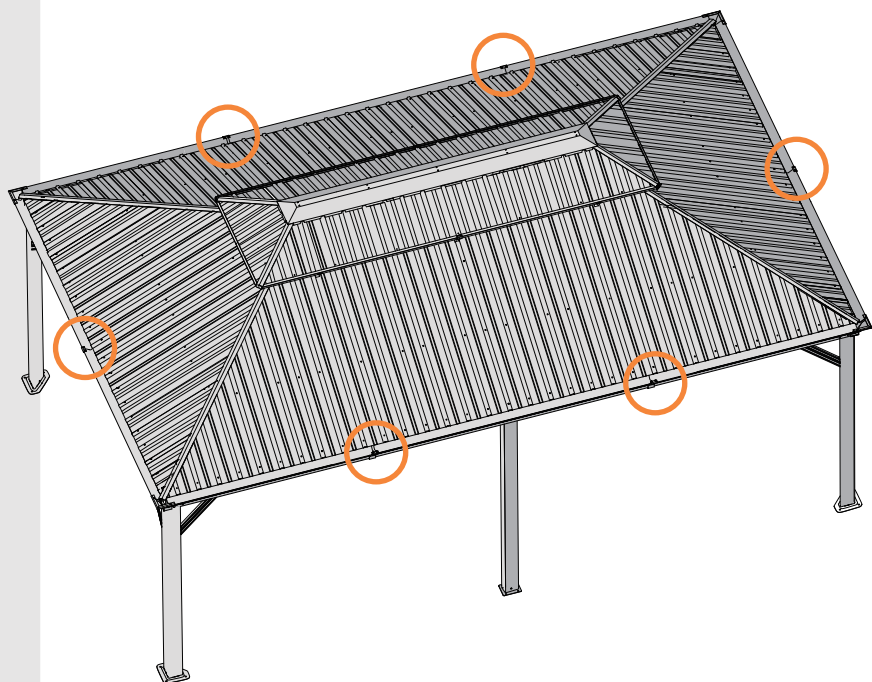
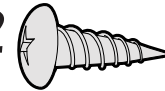
H1×6



8#×6



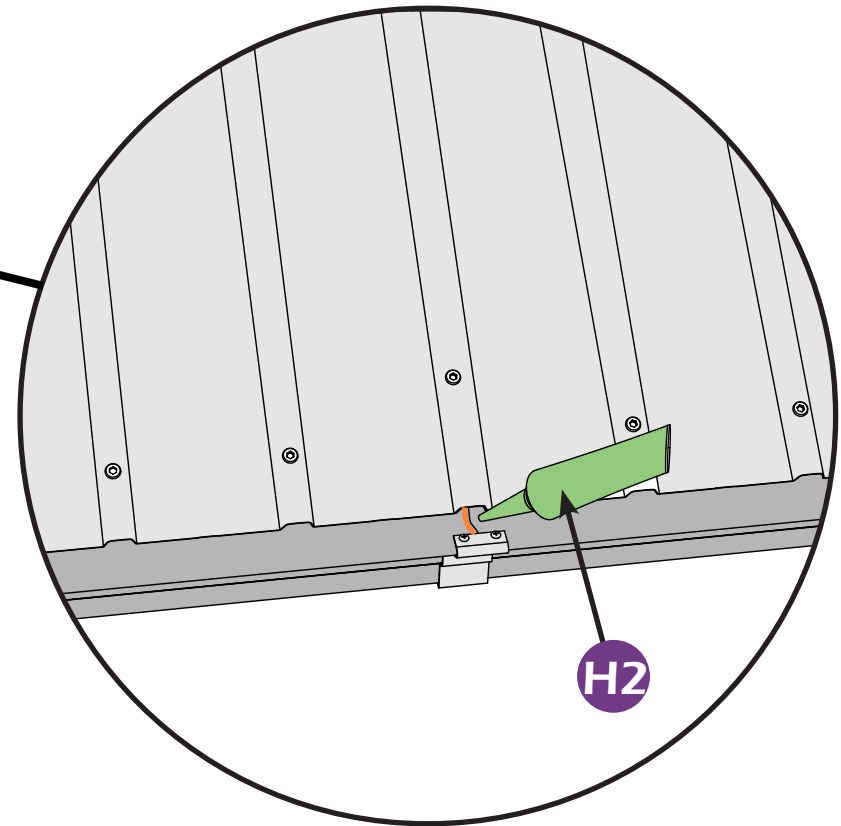
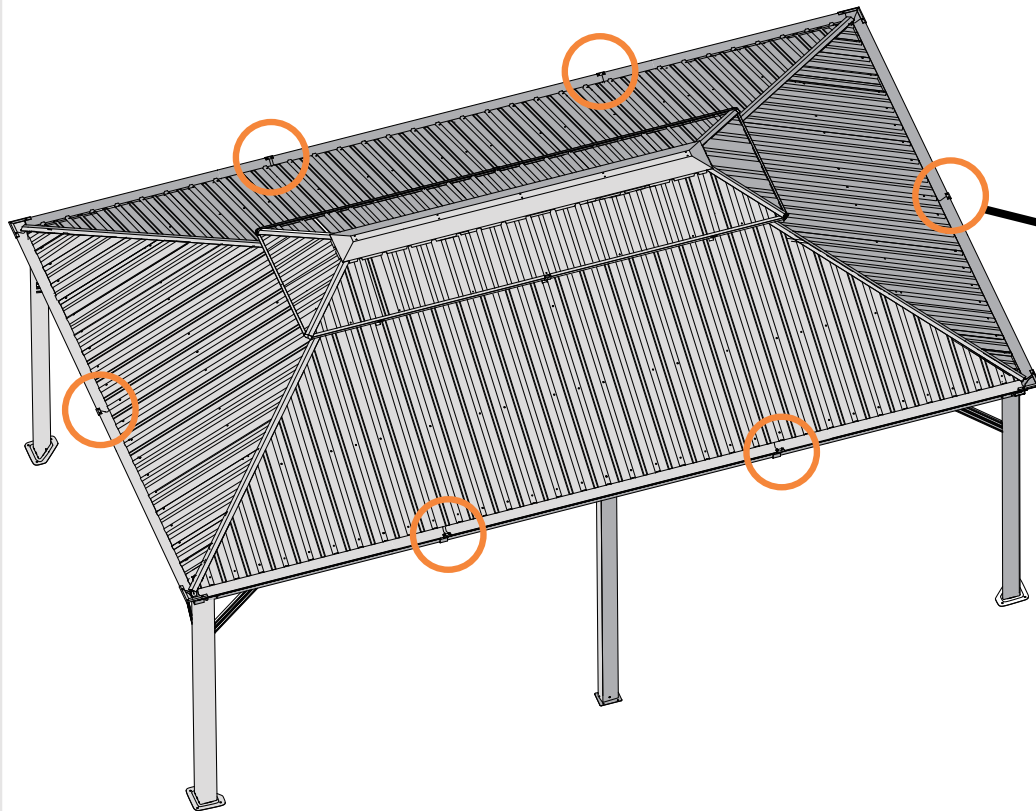
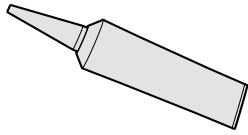
9#×12



STEP 4



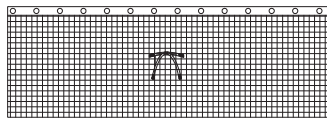
H2 × 1



STEP 4



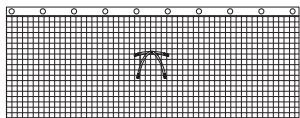
Y × 4



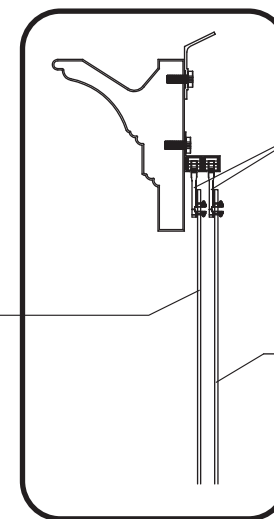
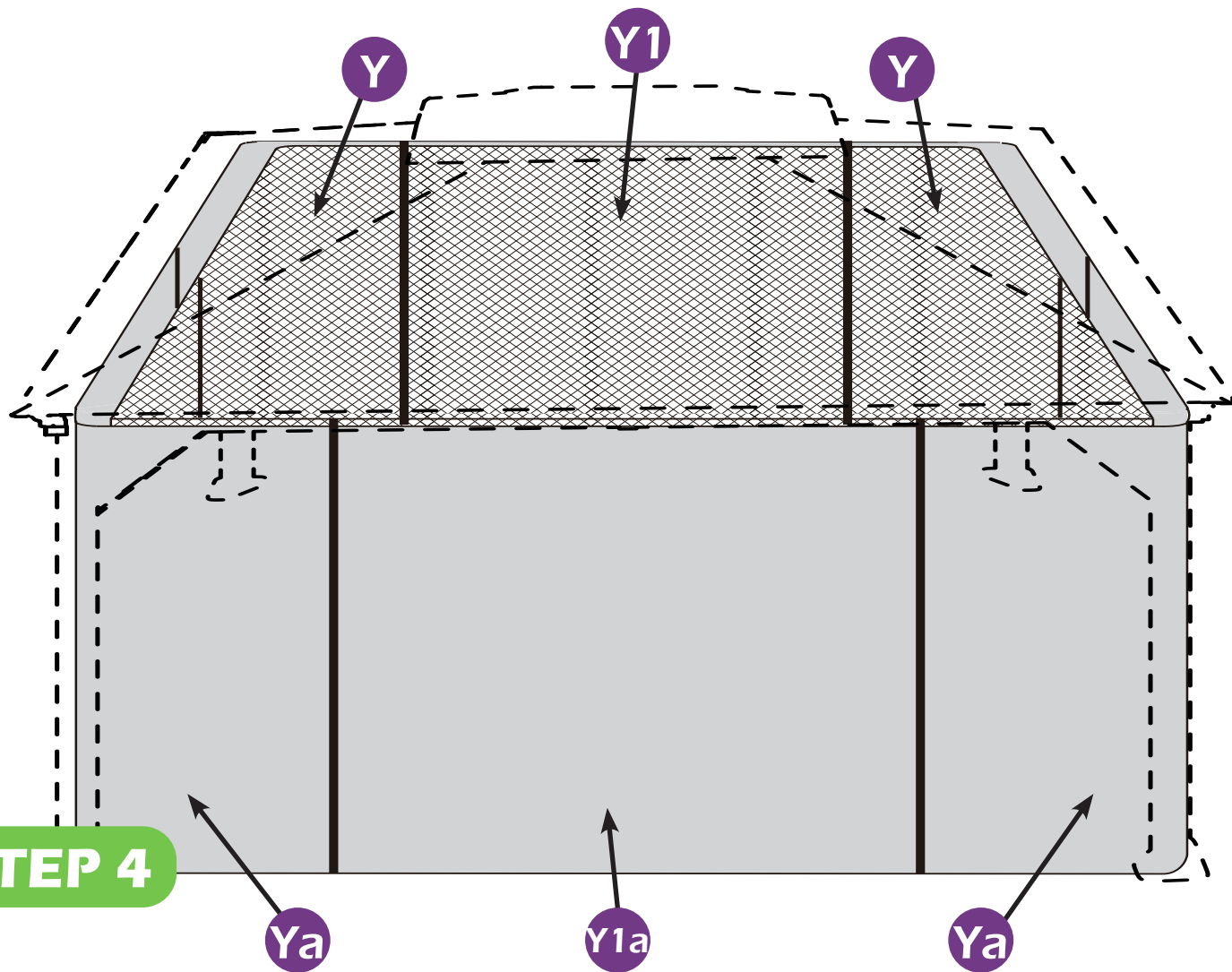
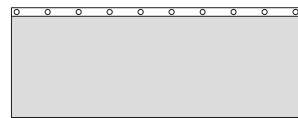
Ya × 4



Y1 × 2



Y1a × 2

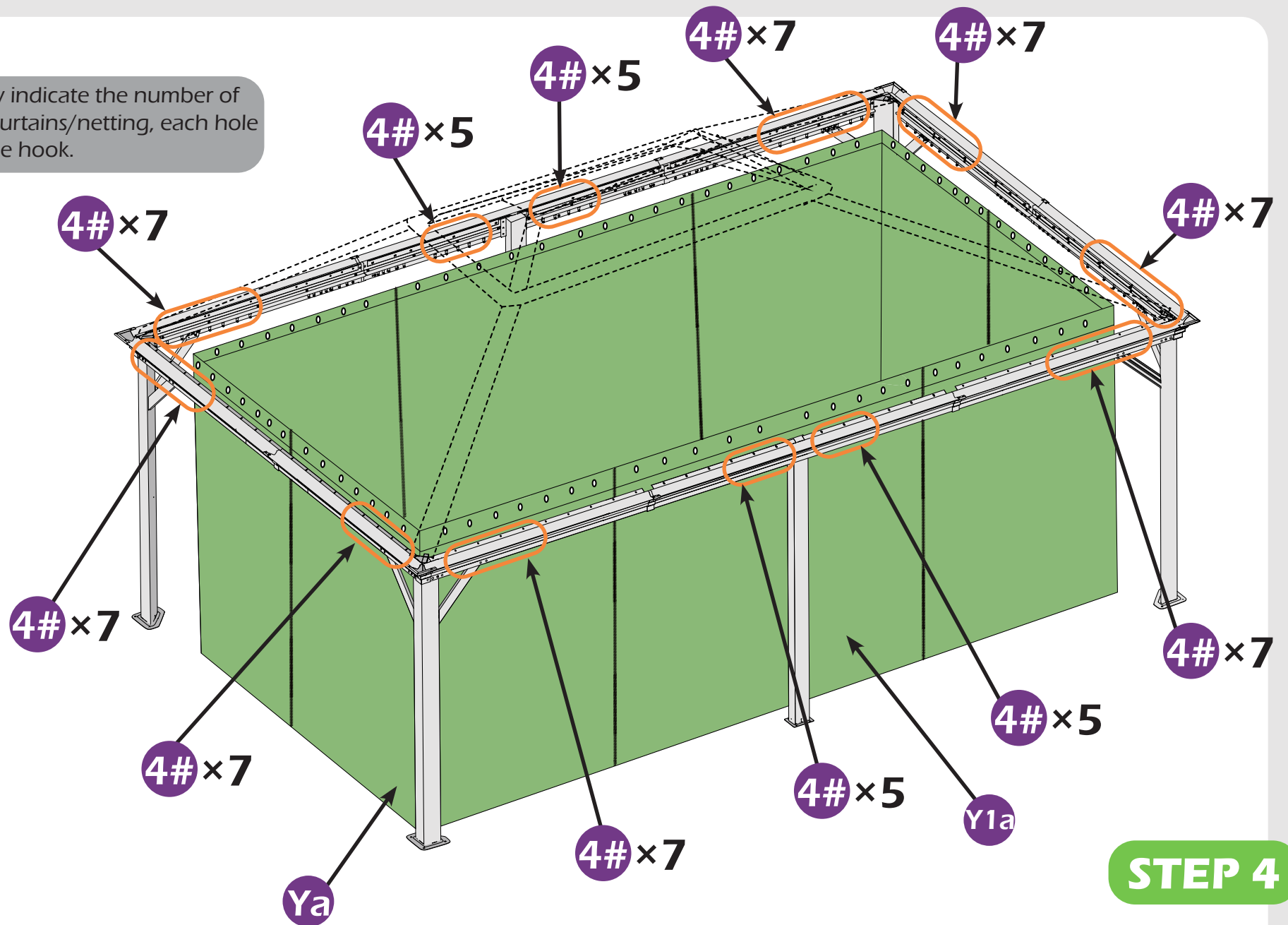


4#

Ya & Y1a

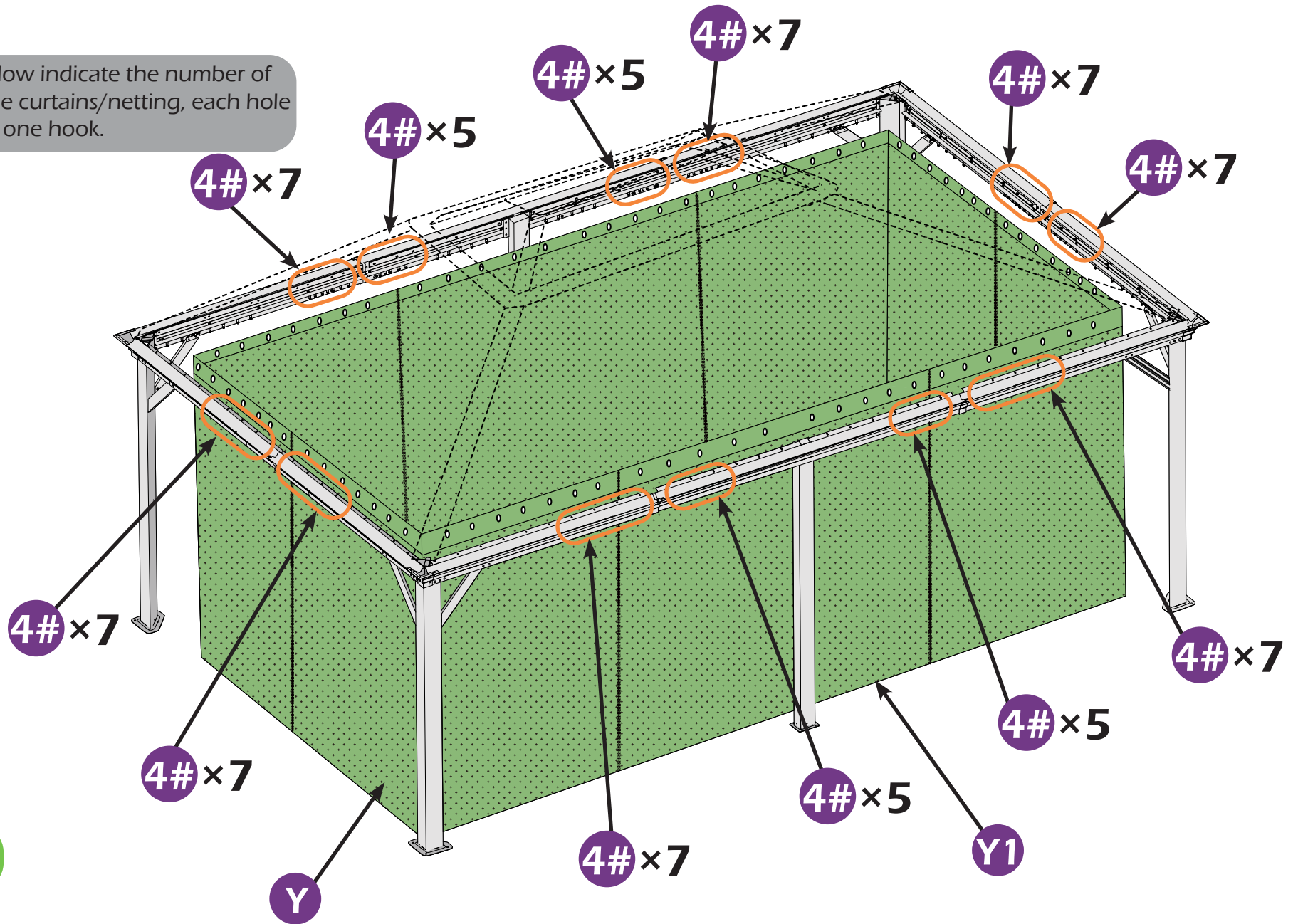
Y & Y1

Pictures below indicate the number of holes on the curtains/netting, each hole is match to one hook.

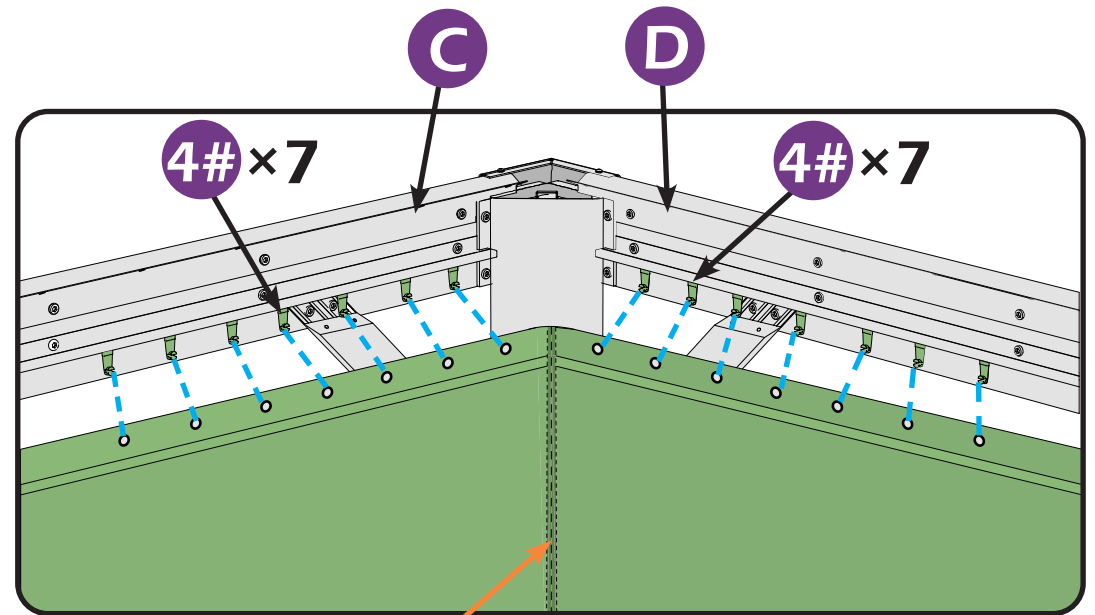
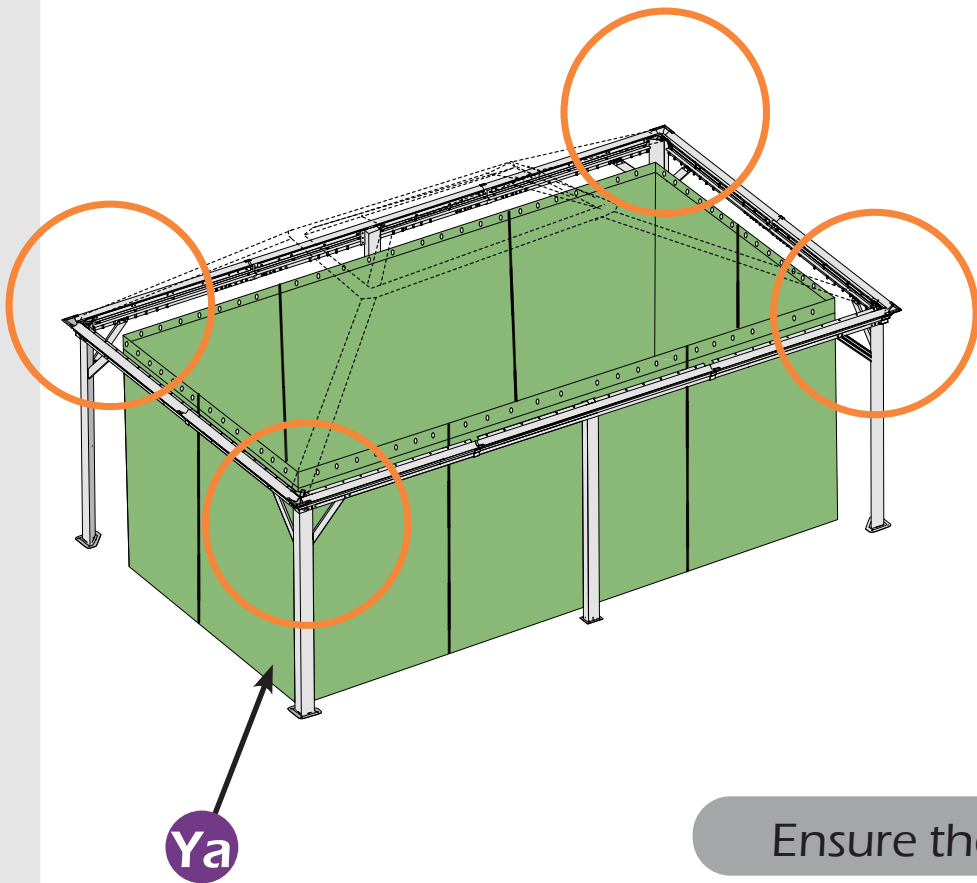


STEP 4

Pictures below indicate the number of holes on the curtains/netting, each hole is match to one hook.

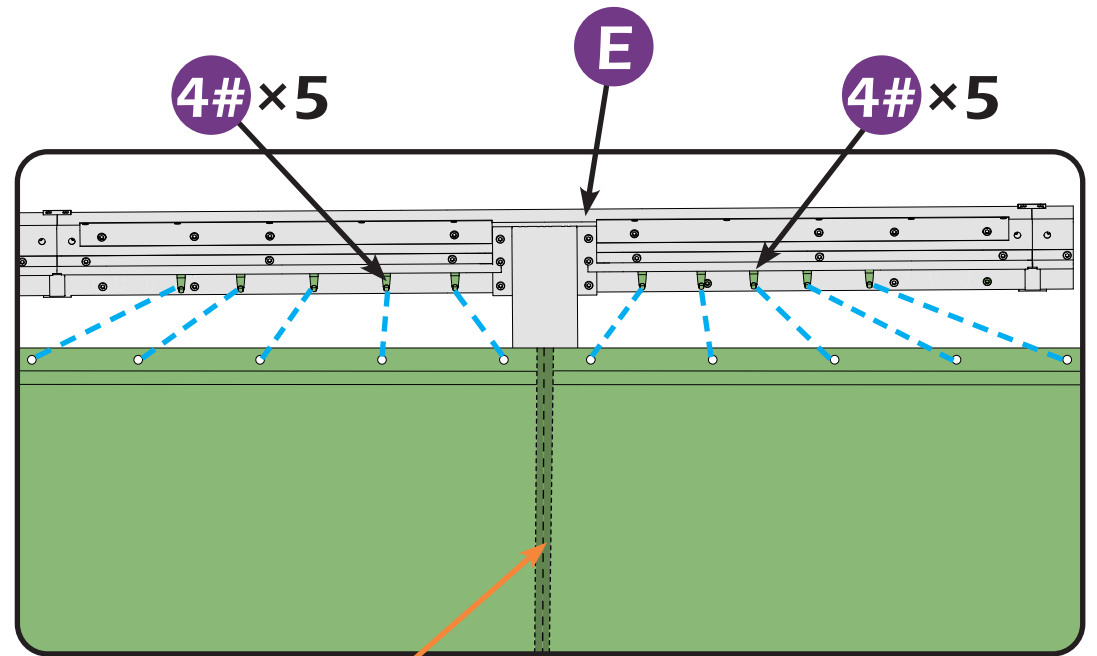
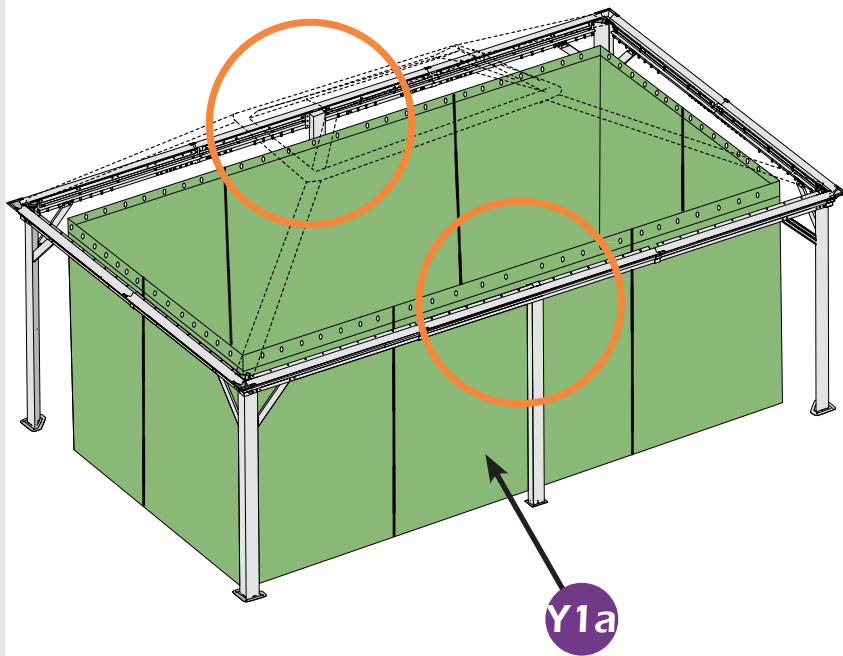


STEP 4



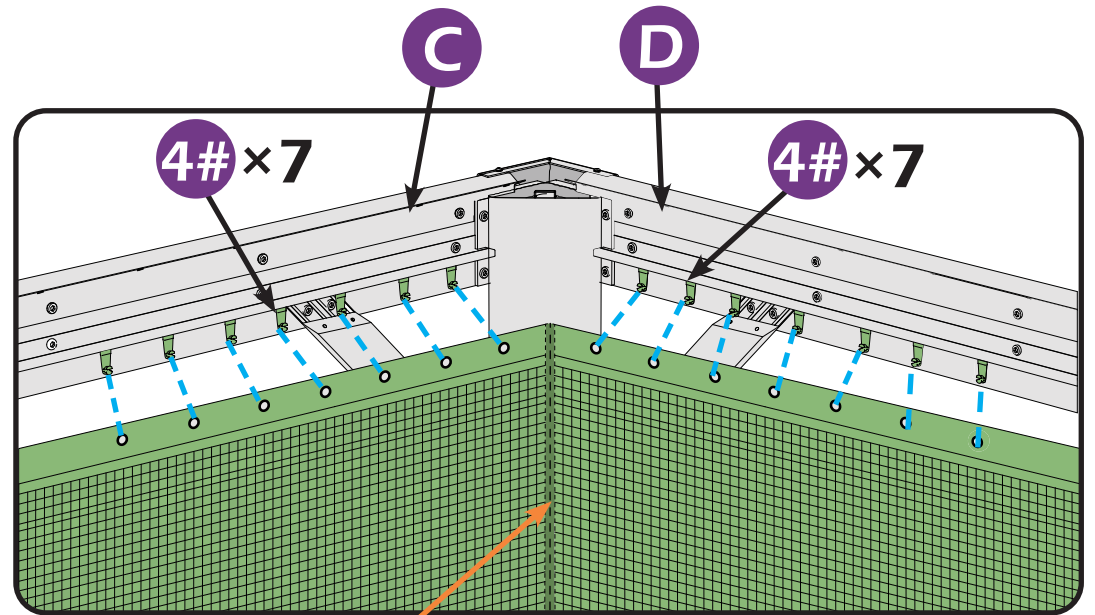
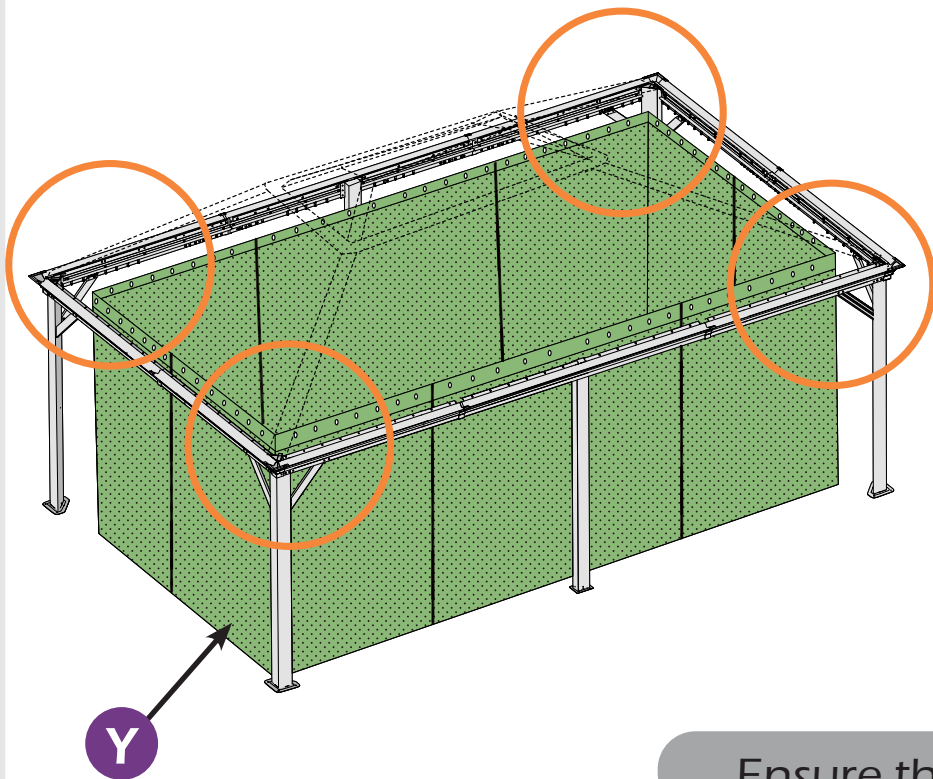
Ensure the suture line close to the pole

STEP 4



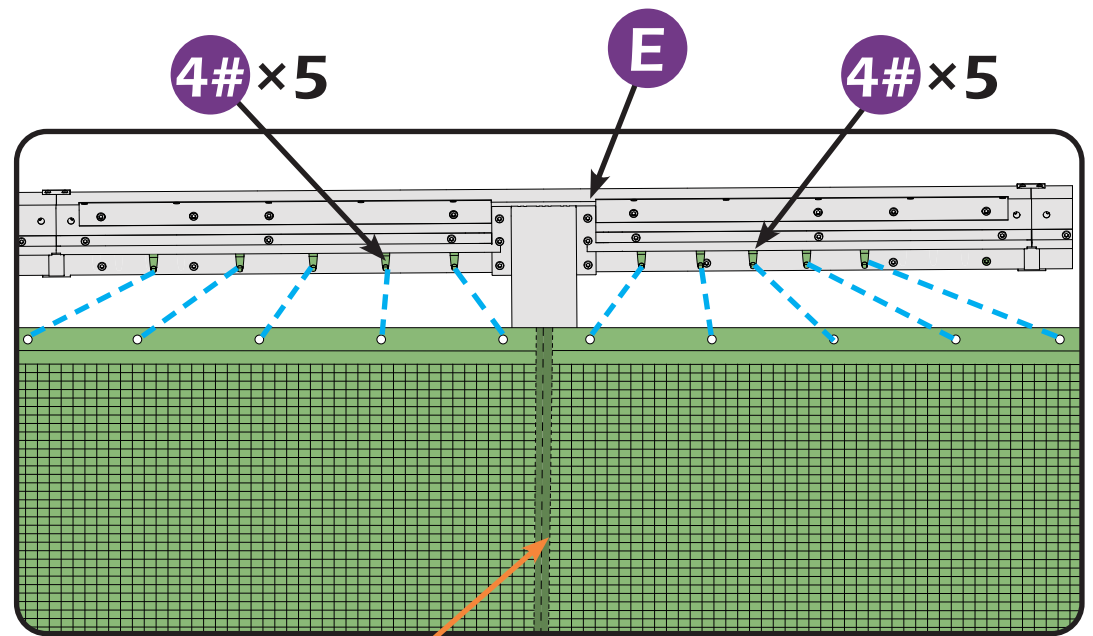
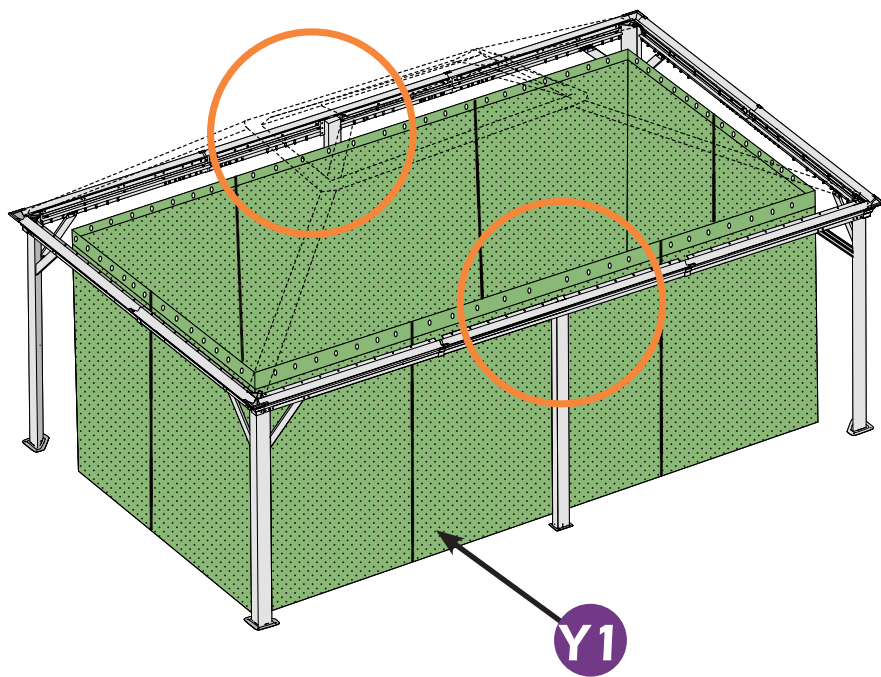
Ensure the suture line close to the pole

STEP 4



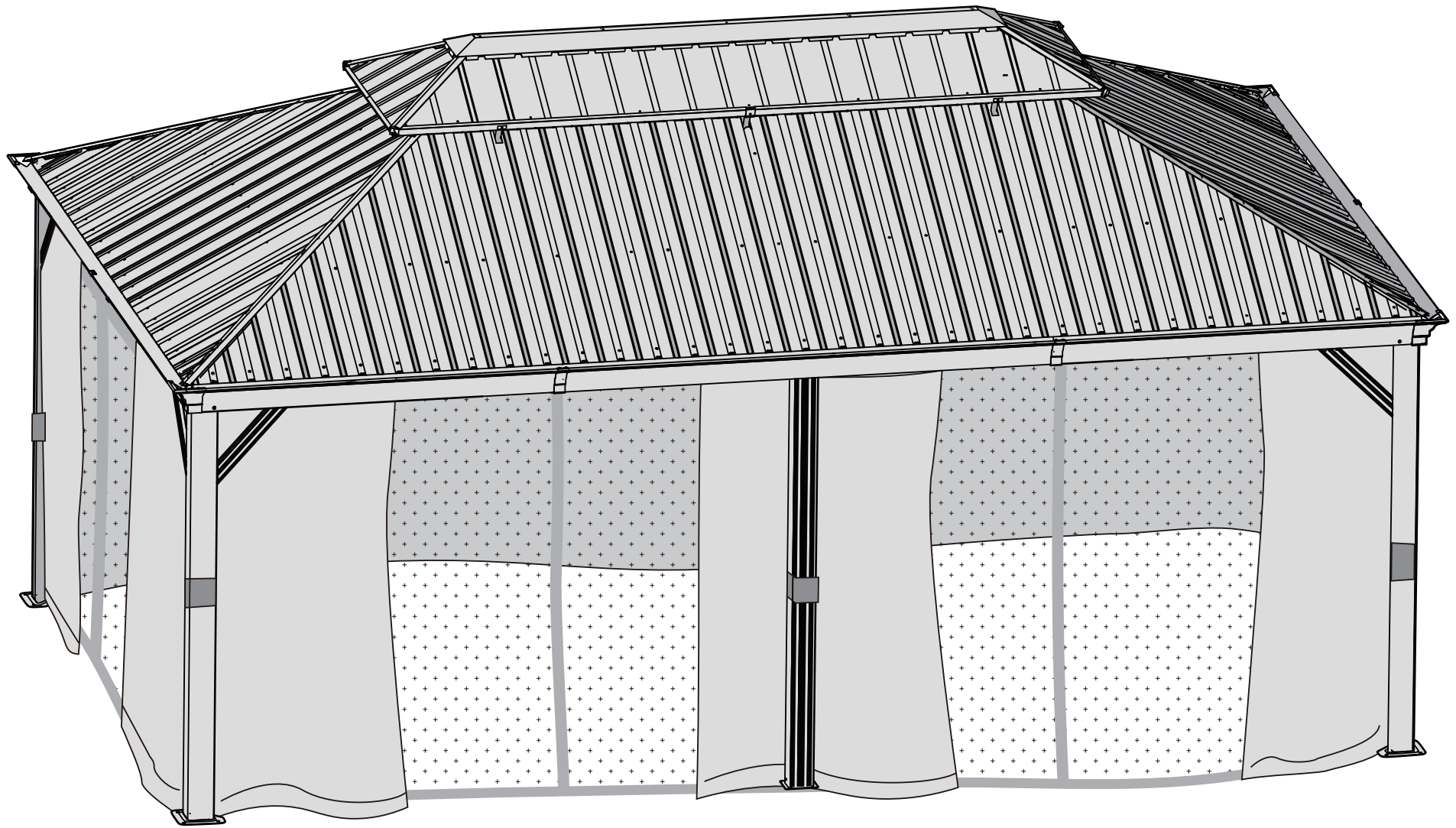
Ensure the suture line close to the pole

STEP 4

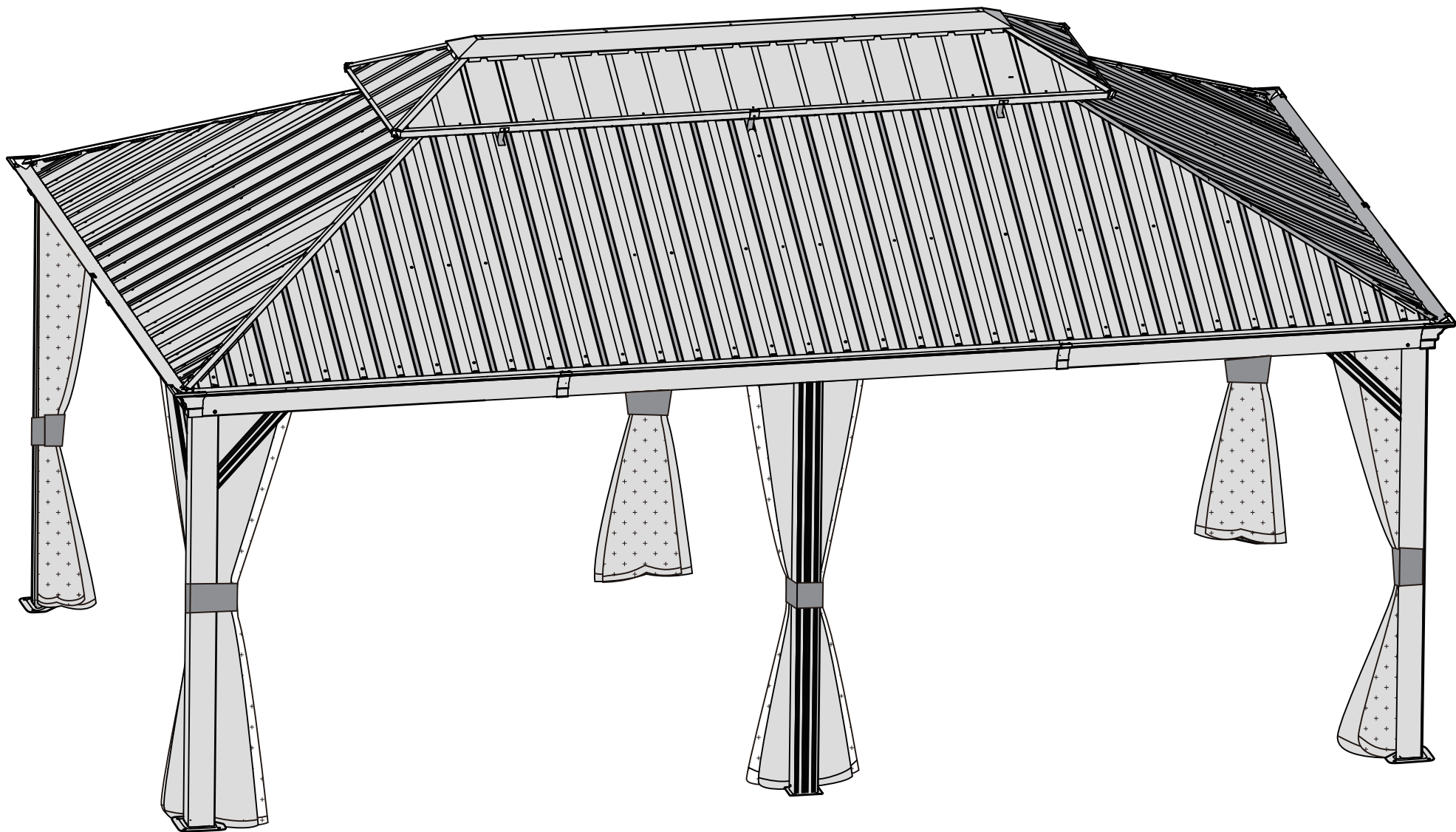


Ensure the suture line close to the pole

STEP 4



STEP 4



STEP 4

Care and Cleaning

Wash frame parts and fabric with mild soap and water, rinse thoroughly.

Dry frame completely and allow the fabric to drip dry.

Do not use bleach, acid, or other solvents on the fabric or frame parts.

Please inspect and tighten all bolts or fasteners on a regular basis to ensure proper performance and safety of your gazebo.

Warranty

Frames

Frames constructions are warranted to be free from defects in material and workmanship for 1 year from item purchased. Damage to frame from negligence won't be covered by this warranty.

Netting

Netting are warranted to be free from defects in material and workmanship for 1 year from item purchased. Damage from exposure to chemicals (including but not only oils ,spills, fluids) won't be covered by this warranty.

Bolts & nuts

Bolts and nuts are warranted to be free from defects in material and workmanship for 1 year from item purchased. Damage from exposure to chemicals (including not only oils ,spills, fluids) won't be covered by this warranty.

Warranty Limitation

This warranty is for the original purchase order only. (Order number required). This warranty is non-transferable. Domi outdoor living is responsible for the free replacement part including shipping charges for the 1 year warranty.

Warranty Exclusion

This warranty does not cover products subject to negligence, abuse usage, inappropriate installation. Domi outdoor living reserves the right to explain warranty exclusions. When the replacement item is applied, the 1 year warranty automatically expires. Please feel free to contact us for applying warranty.