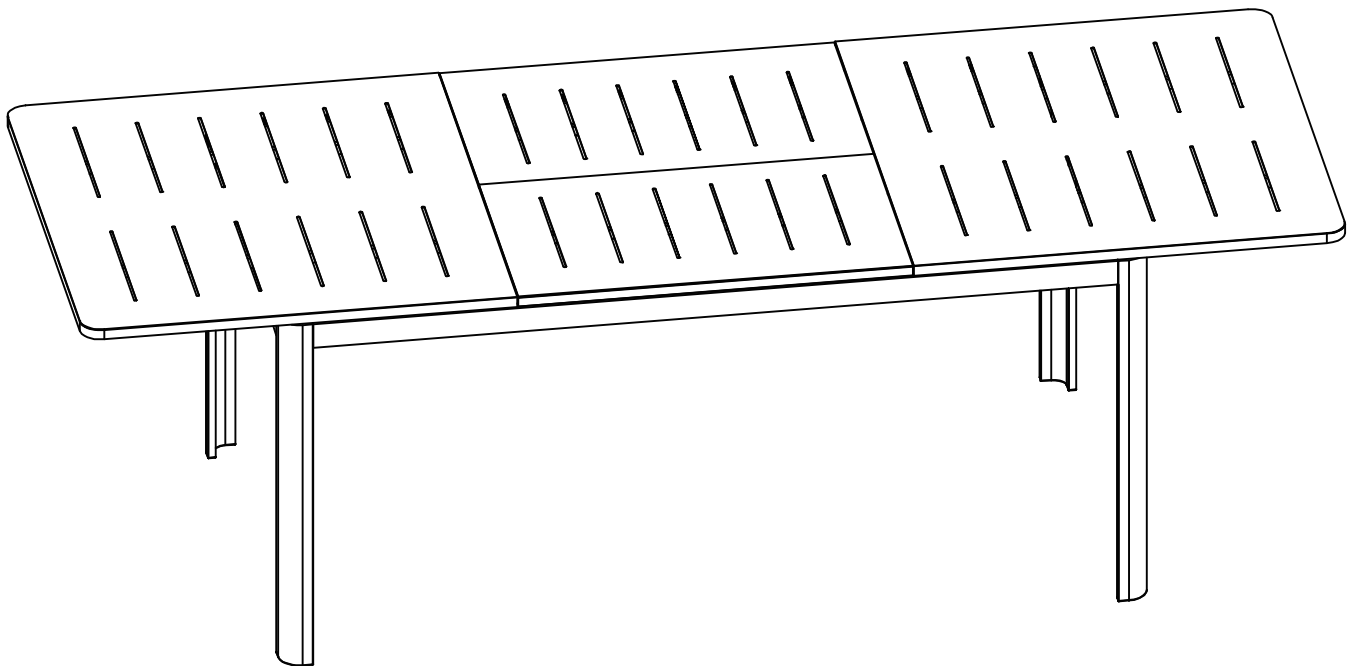
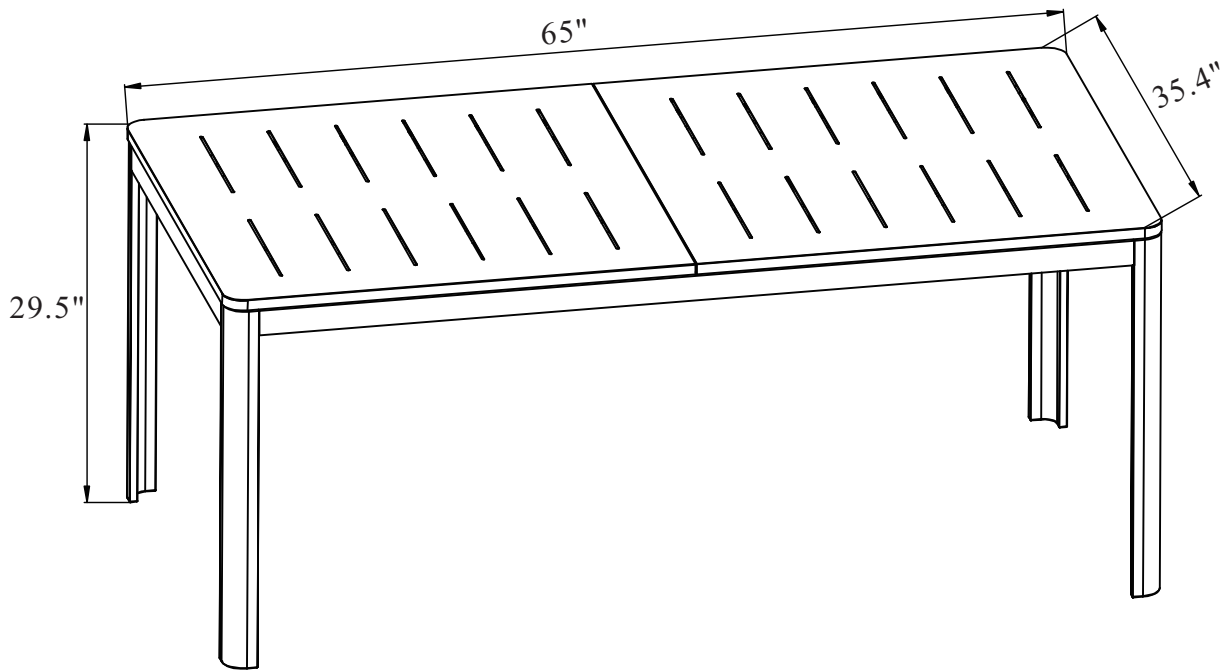
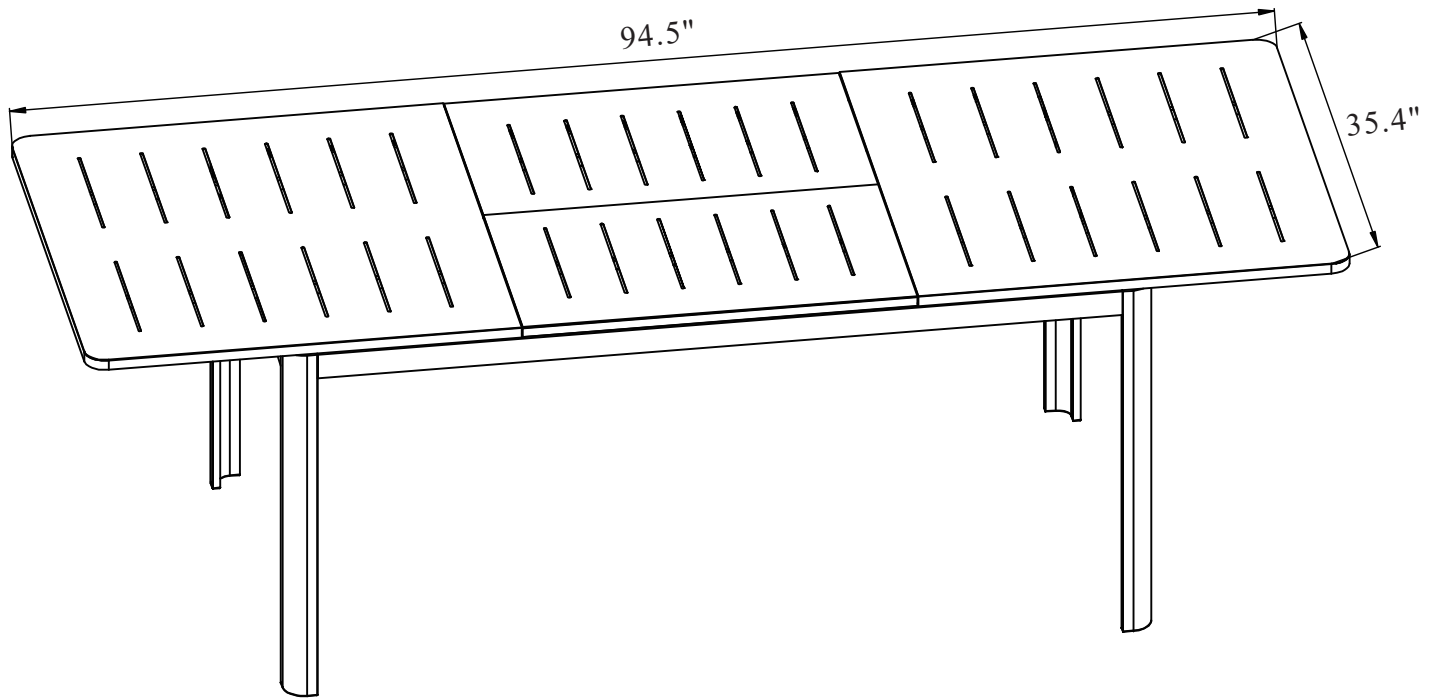
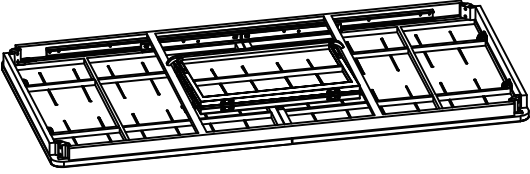
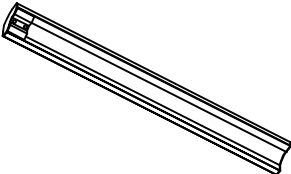





7.8'×2.9' Extendable Aluminum Dinning Table

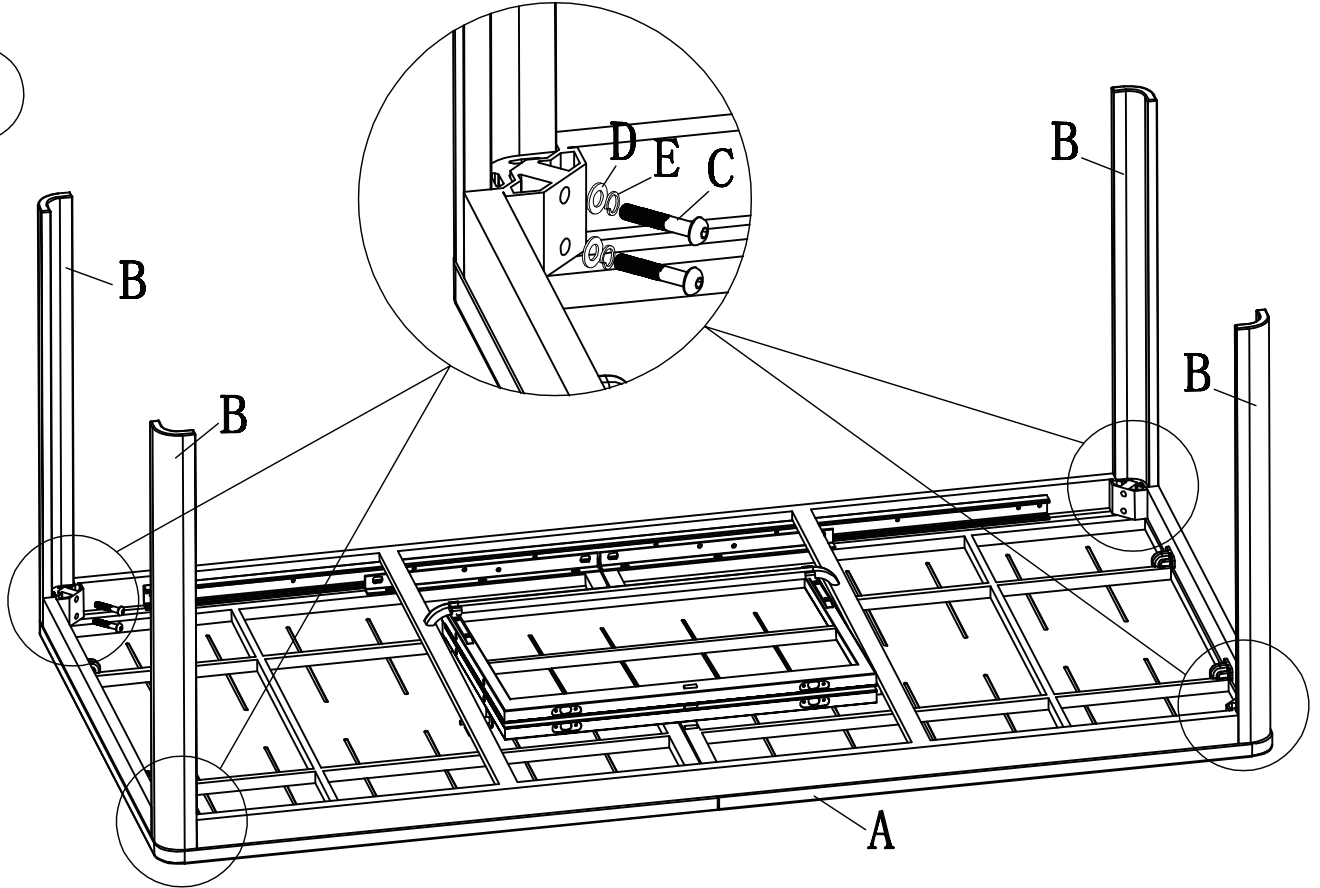
Assembly Instructions





				 M8*50	C 8PCS		E 8PCS
					D 8PCS	F 1PC	
A	1PC	B	4PCS				

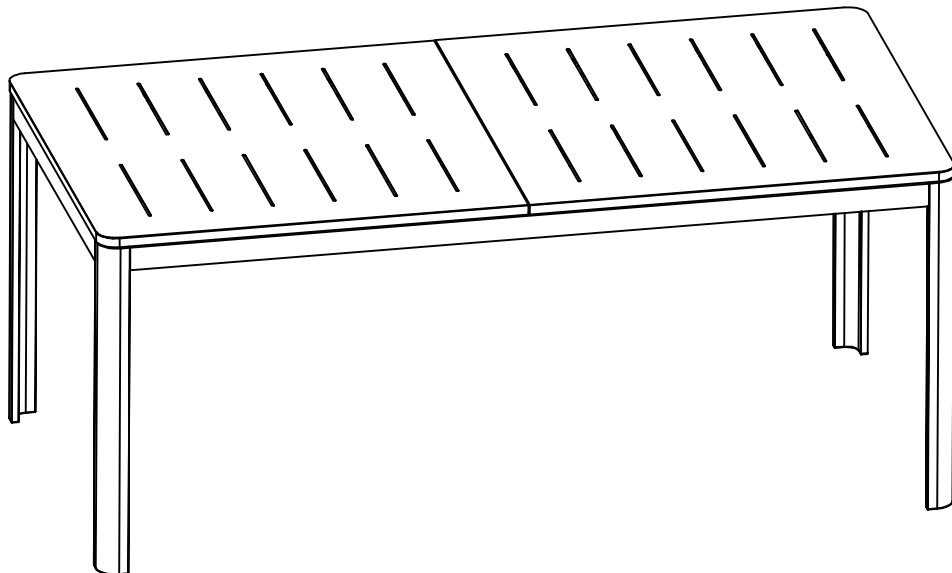
1



Step 1: Install part B(Table Leg) on Part A(Tabletop) with Part D (flat Washer), Part E (Split Lock Washer) and Part C(Screw).

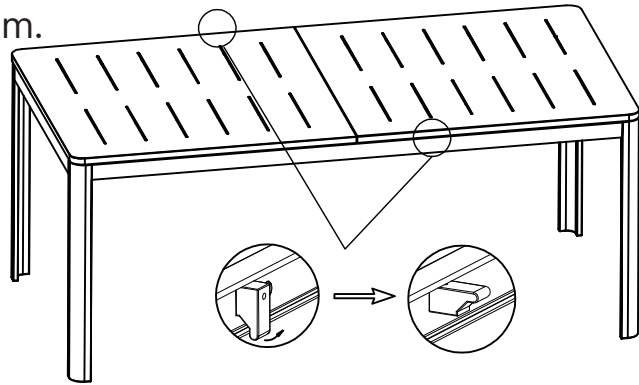
Step 2: Turn the table over.

2

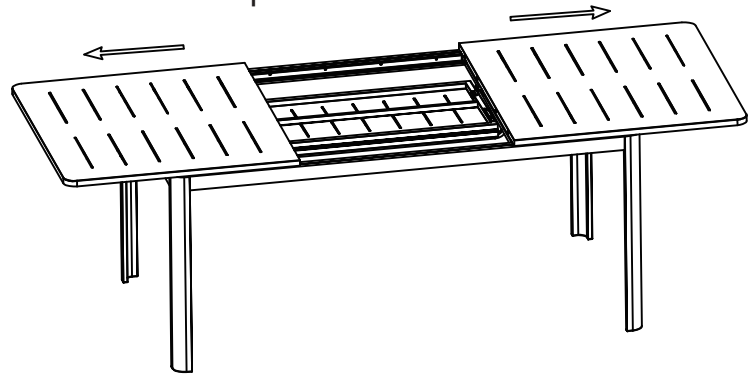


How to Use the Extendable Aluminum Dining Table

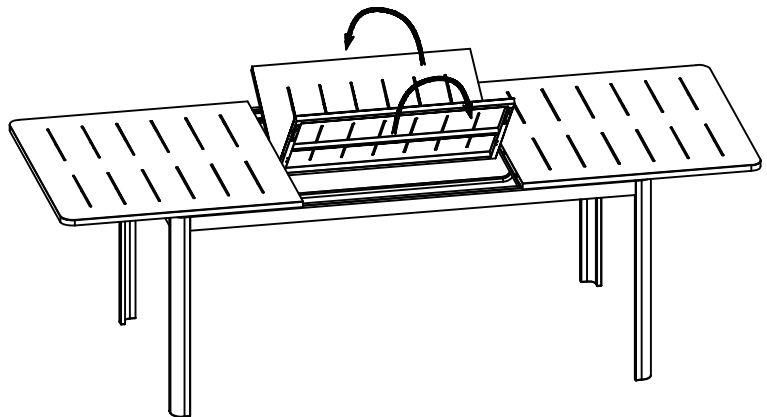
- 3 Step 1: Unlock the latches under the table edge on both sides from the beam.



- 4 Step 2: Pull the two sides of the table top to the sides.



- 5 Step 3: Flip up the two small tabletops in the middle.



- 6 Step 4: Push the tabletops on both sides to the middle and buckle the latches under the table edges on the beam.

