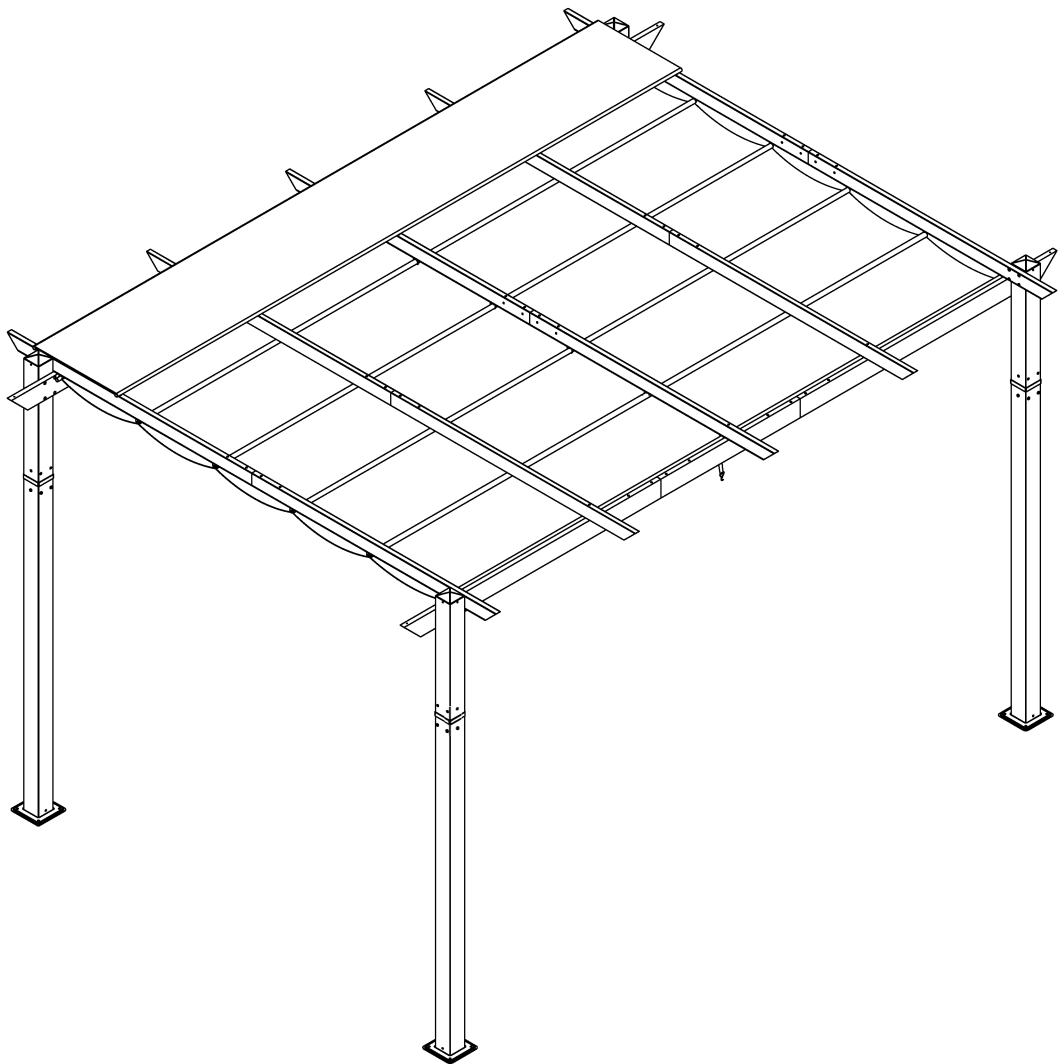


**10'x13' ALUMINUM
RETRACTABLE PERGOLA
Assembly Instructions**



Pre-assembly



1. Two or more people are required for assembly.



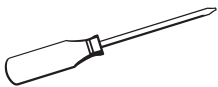
2. You will need one or more stepladders.



3. Wearing protective gloves is recommended.



4. You may need a safety hat.



5. Please use a Phillips screw driver.



6. For ease of construction, you may need a drill.



7. You may need a safety goggle.



8. Do not fully tighten screws prior to complete assembly.

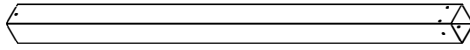
Warning & Attention

-Try to assemble this product on the flat ground, otherwise it is difficult to carry out;

-It would be much easier to assemble the product with three or more people;

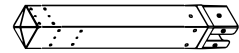
-After assembly, please check whether all screws are tightened, to prevent parts from falling apart.

L=90x90x1760mm



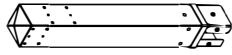
(A) 4x

L=90x90x720mm



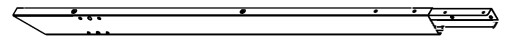
(A1) 2x

L=90x90x720mm



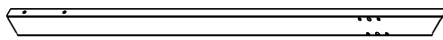
(A2) 2x

L=70x27x1665mm



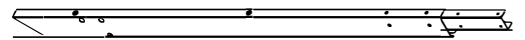
(C) 1x

L=70x27x1490mm



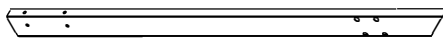
(C1) 1x

L=70x27x1665mm



(C2) 1x

L=70x27x1490mm



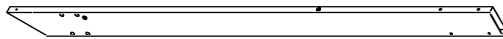
(C3) 1x

L=100x25x1250mm



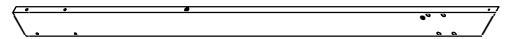
(D) 1x

L=100x25x1565mm



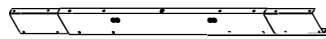
(D1) 1x

L=100x25x1565mm



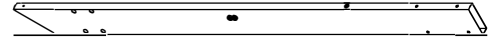
(D2) 1x

L=100x25x1250mm



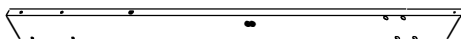
(E) 1x

L=100x25x1565mm



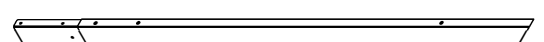
(E1) 1x

L=100x25x1565mm



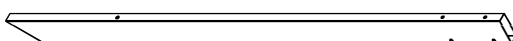
(E2) 1x

L=70x25x1665mm



(F) 2x

L=70x25x1490mm



(F1) 2x

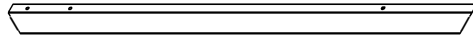
L=70x27x1665mm



(G) 1x

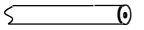
Part list

L=70x27x1490mm



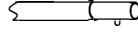
(G1) 1x

L=Ø19x1720mm



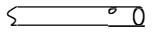
(H) 5x

L=Ø19x1720mm



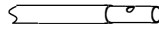
(H1) 5x

L=Ø16x1747mm

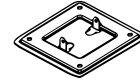


(J) 3x

L=Ø16x1747mm



(J1) 3x



(B) 4x



(K) 1x



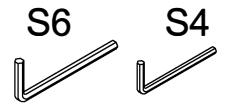
(L) 1x



(M) 1x



(P) 8x



(Q) 1x



(S) 1x



(S1) 4x



(S2) 10x



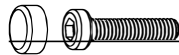
M6x16

(1) 78x



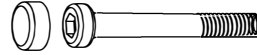
M6x15

(2) 32x



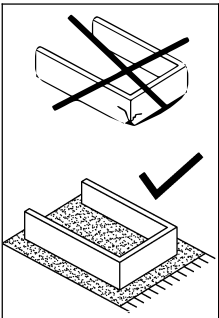
M6x28

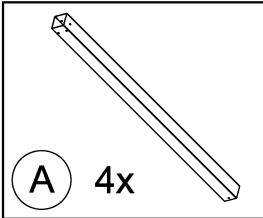
(3) 9x



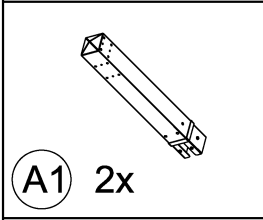
M6x85

(4) 6x

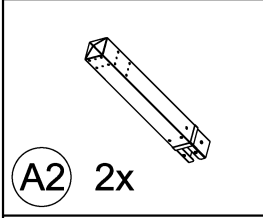




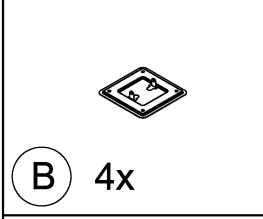
A 4x



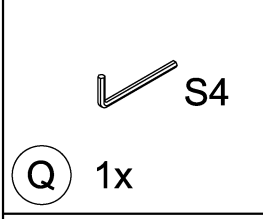
A1 2x



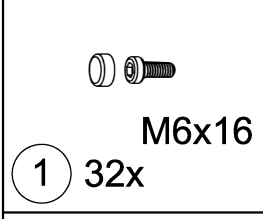
A2 2x



B 4x



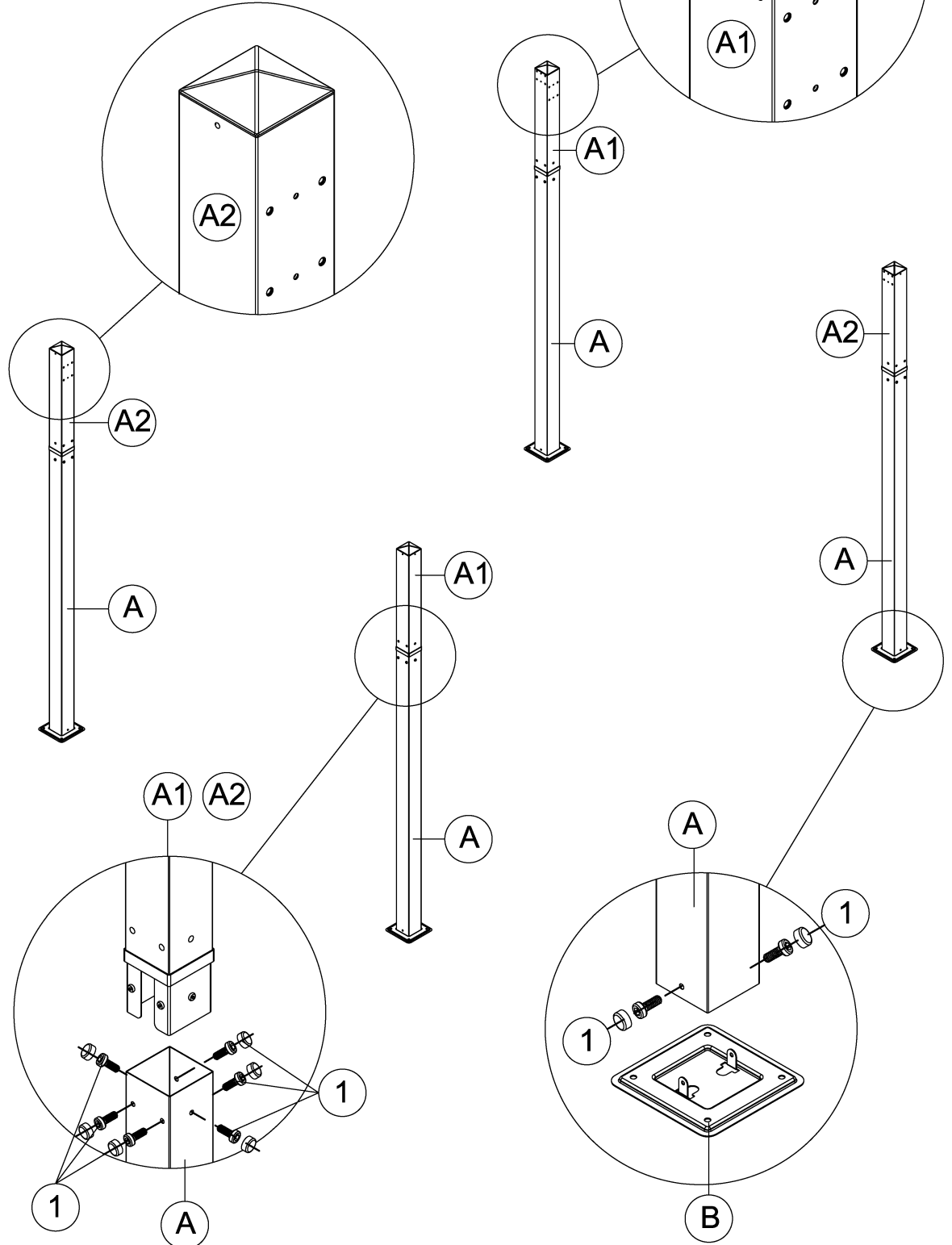
Q 1x



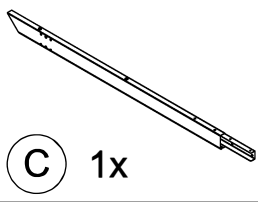
1 32x
M6x16

Step 1:

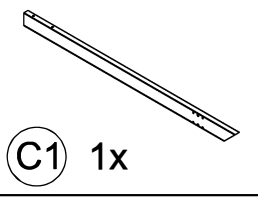
Connect part A1 and part A using screws 1# as shown in diagram, then connect part A2 and part A in the same way.



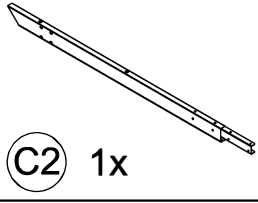
Step 2: Set up poles (part A) with stand plates (part B) using screws 1# as shown in diagram.



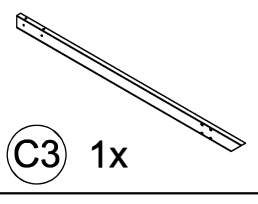
C 1x



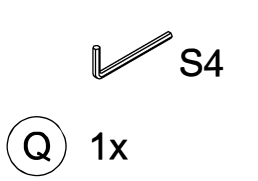
C1 1x



C2 1x

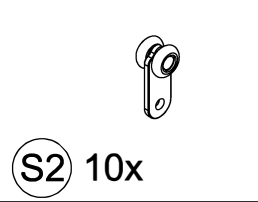


C3 1x

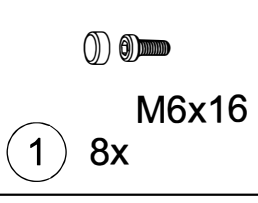


S4

Q 1x



S2 10x

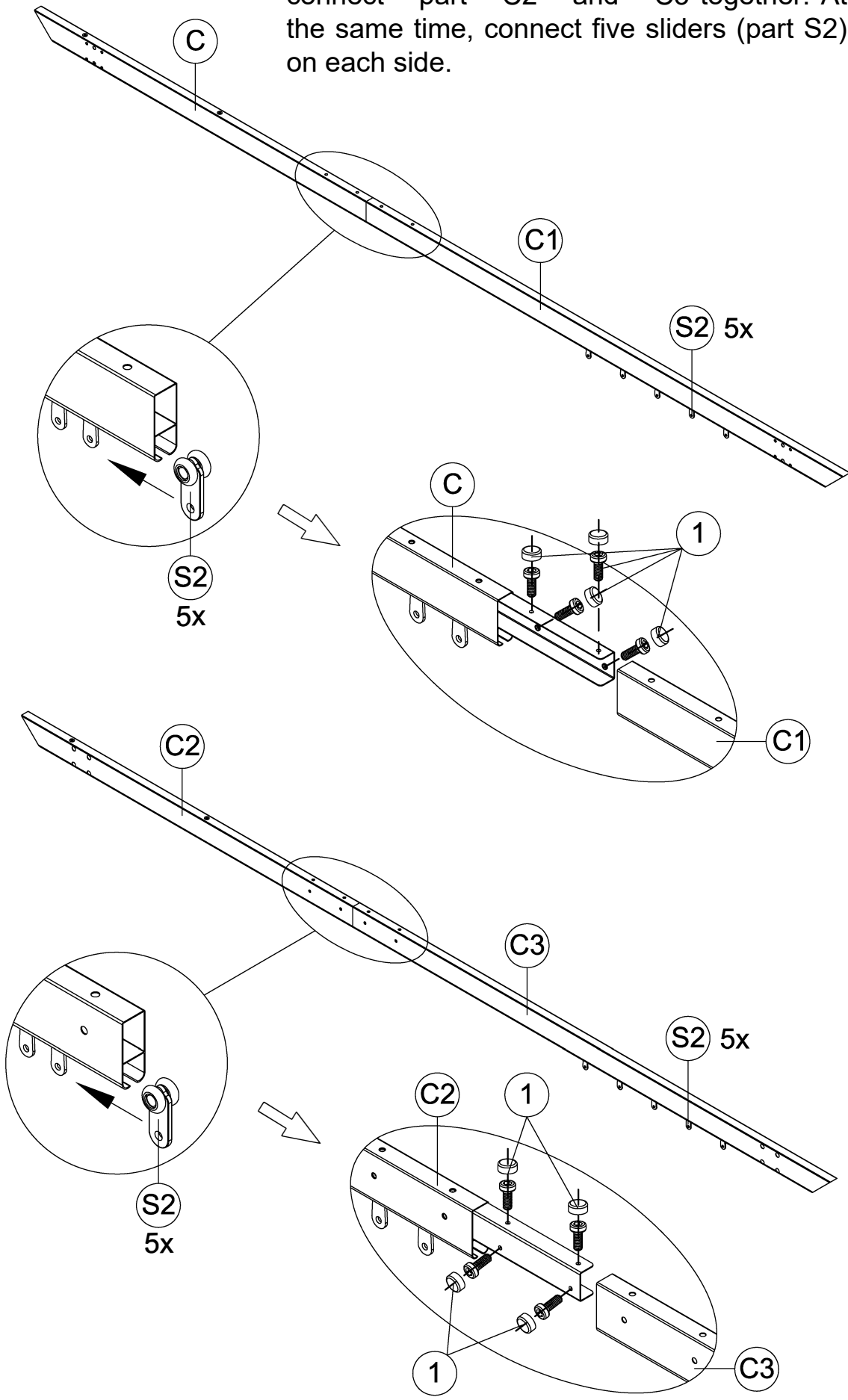


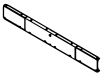

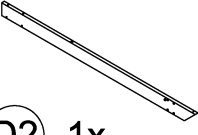
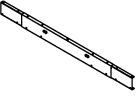
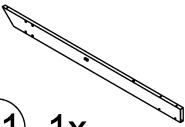
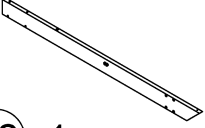


M6x16

1 8x

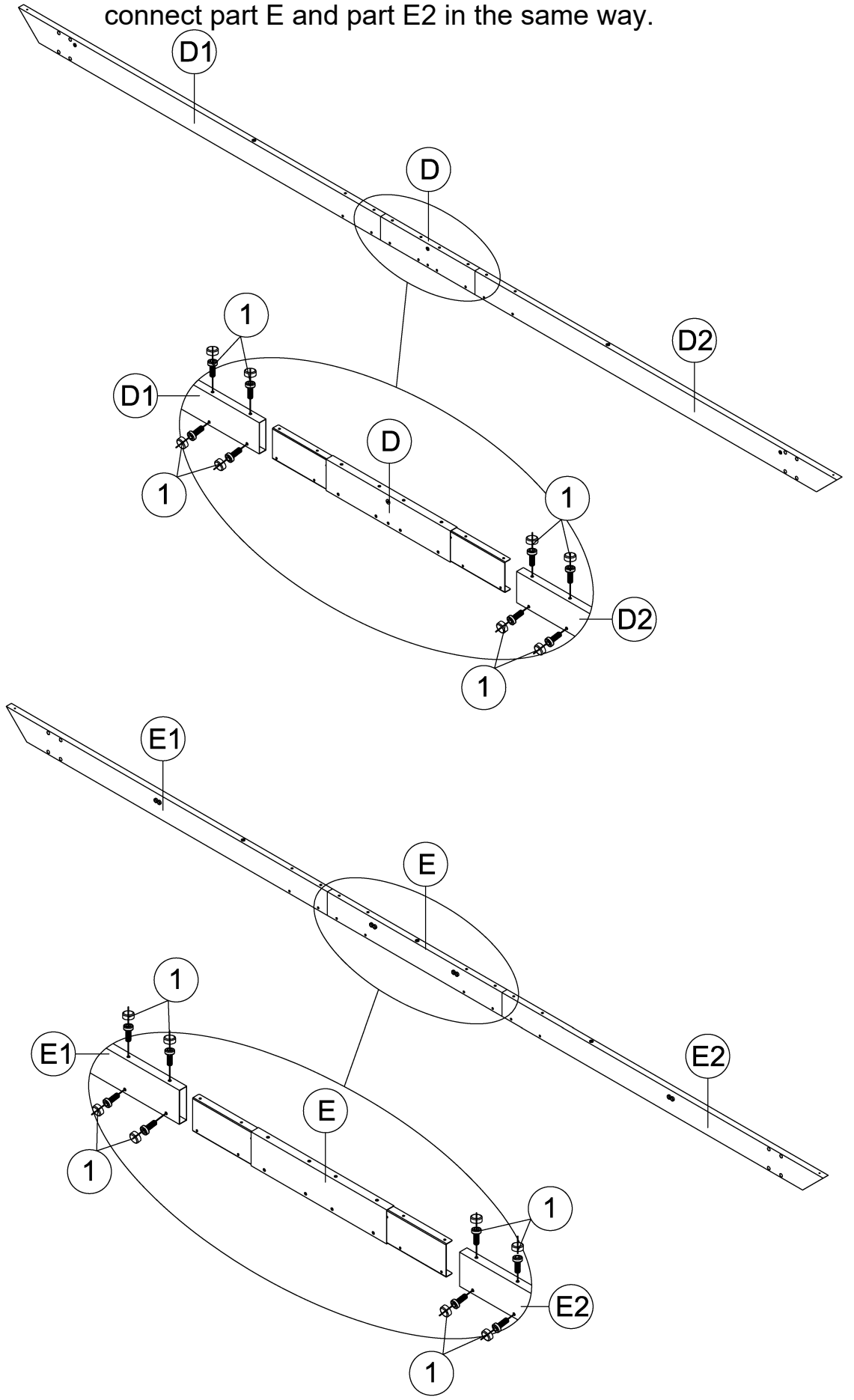
5

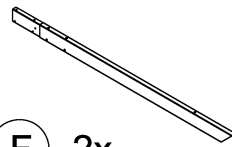
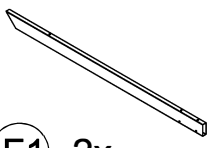
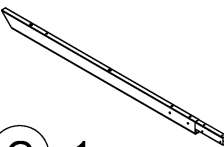
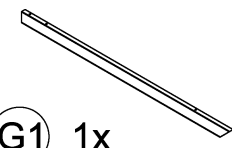


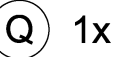



Step 3: As shown in the figure, use screws 1# to connect part C and C1, and also connect part C2 and C3 together. At the same time, connect five sliders (part S2) on each side.



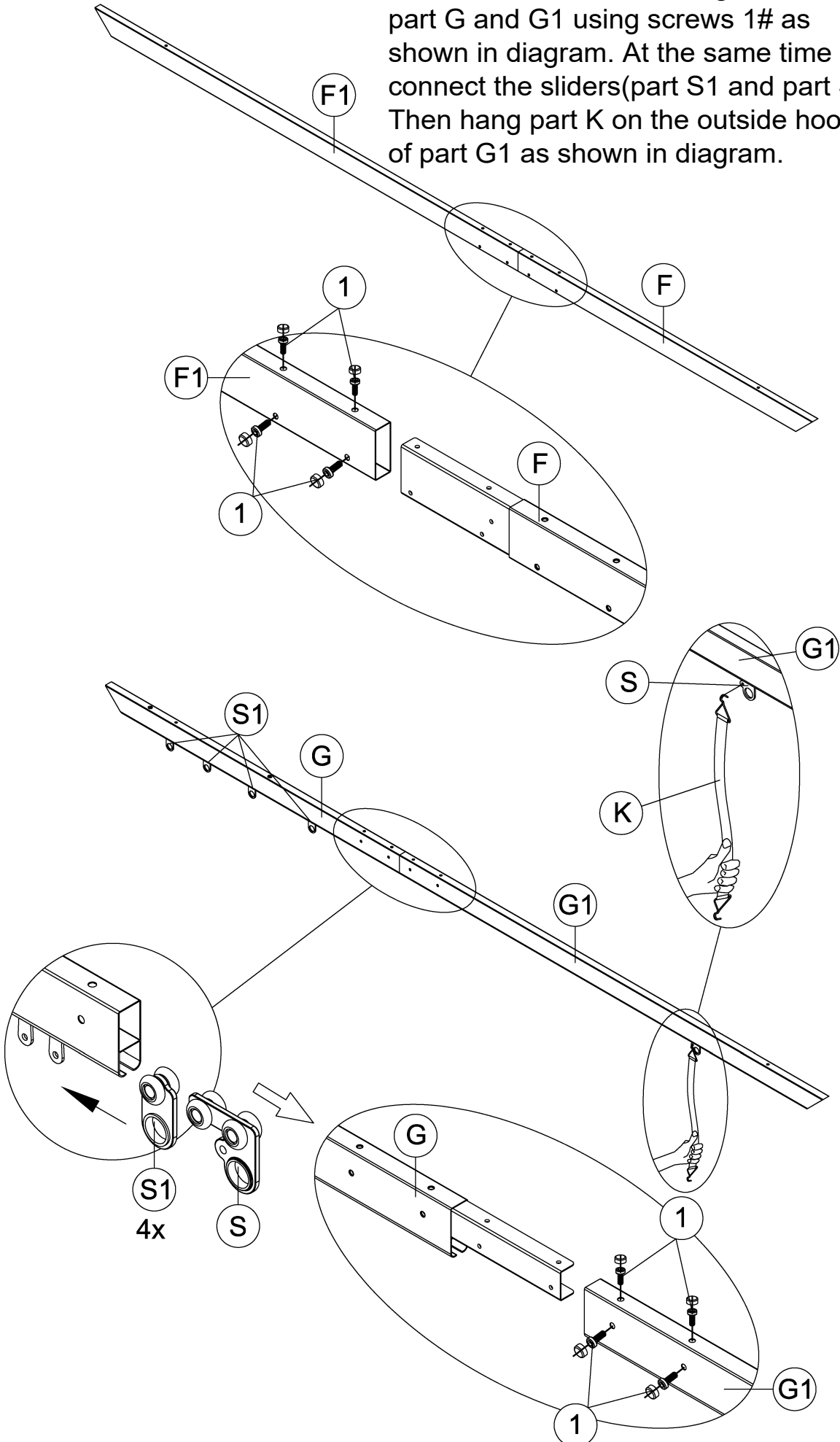

(D) 1x

(D1) 1x

(D2) 1x

(E) 1x

(E1) 1x

(E2) 1x

(Q) S4 1x

(1) M6x16 16x
6

Step 4: Link part D and D1 using screws 1# as shown in diagram. Then connect part D and part D2 in the same way. And link part E and E1 using screws 1# as shown in diagram. Then connect part E and part E2 in the same way.



-  **F** 2x
-  **F1** 2x
-  **G** 1x
-  **G1** 1x
-  **K** 1x
-  **S4**
-  **Q** 1x
-  **S** 1x
-  **S1** 4x
-  **1** 10x
M6x16

Step 5: Link part F and F1 using screws 1# as shown in diagram. Link part G and G1 using screws 1# as shown in diagram. At the same time , connect the sliders(part S1 and part S). Then hang part K on the outside hook of part G1 as shown in diagram.





M6x15

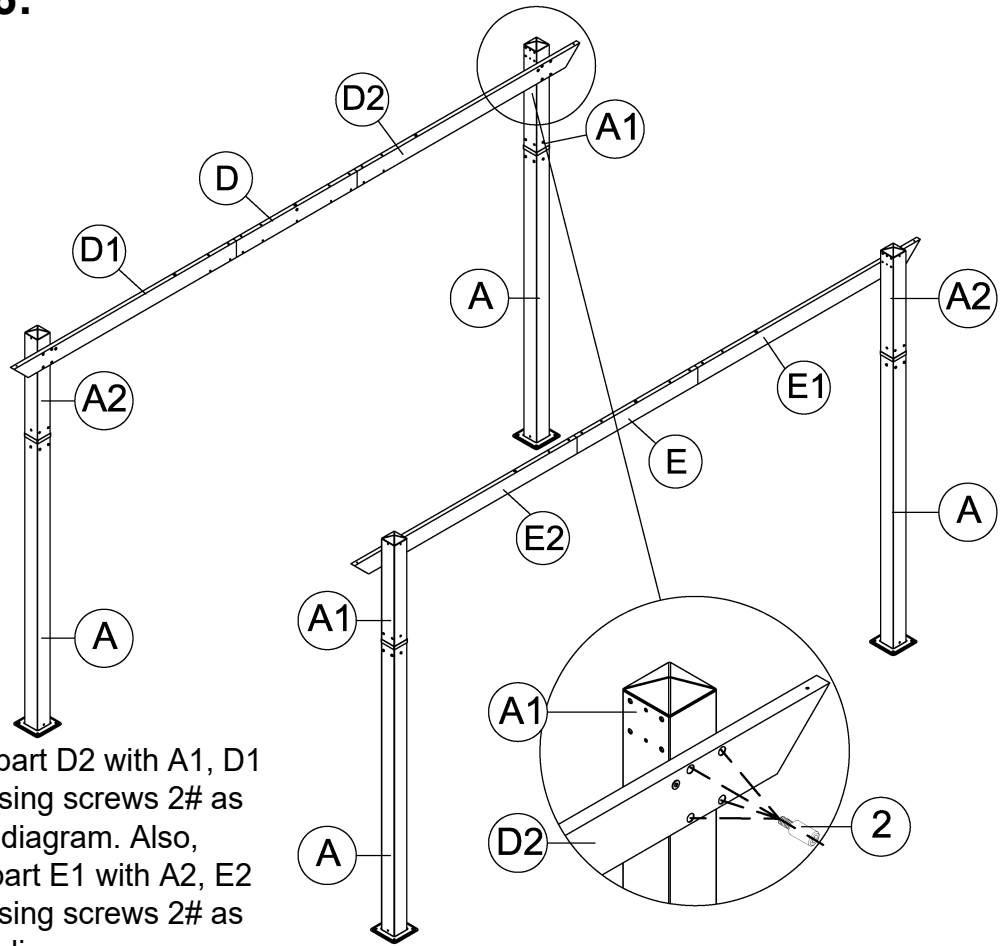
2 16x

S6



Q 1x

Step 6:



Connect part D2 with A1, D1 with A2 using screws 2# as shown in diagram. Also, connect part E1 with A2, E2 with A1 using screws 2# as shown in diagram.



M6x15

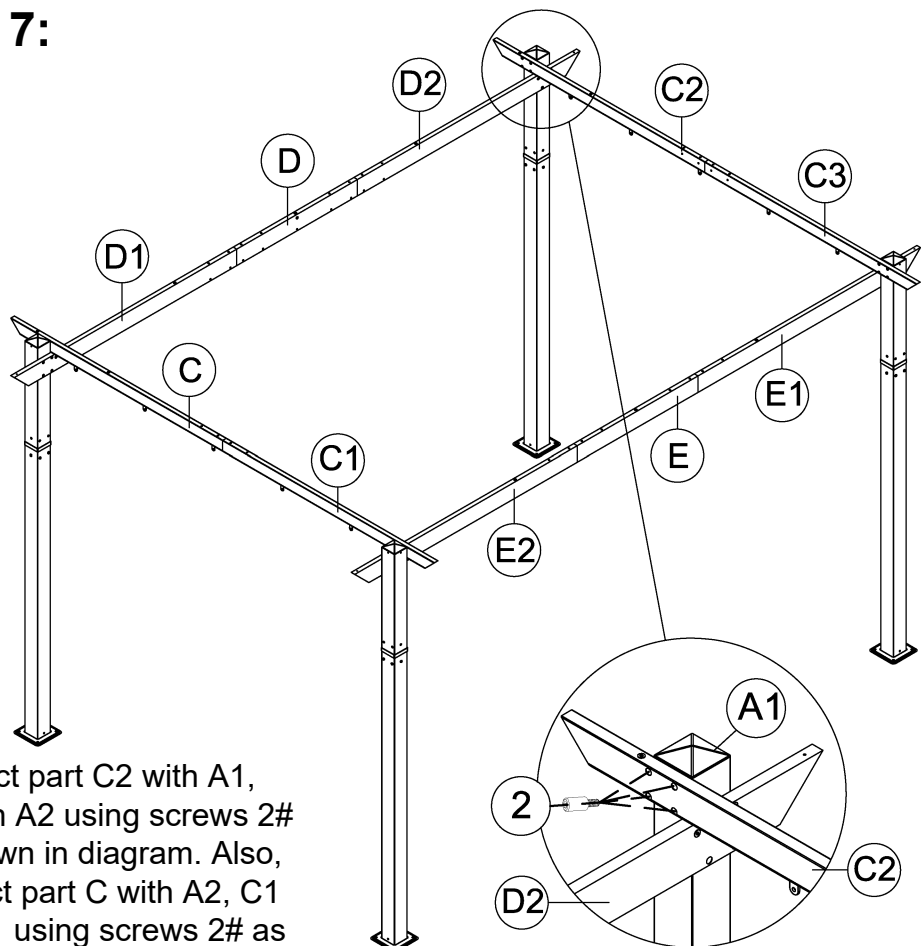
2 16x

S6

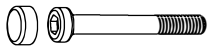


Q 1x

Step 7:



Connect part C2 with A1, C3 with A2 using screws 2# as shown in diagram. Also, connect part C with A2, C1 with A1 using screws 2# as shown in diagram.



M6x85

4 6x

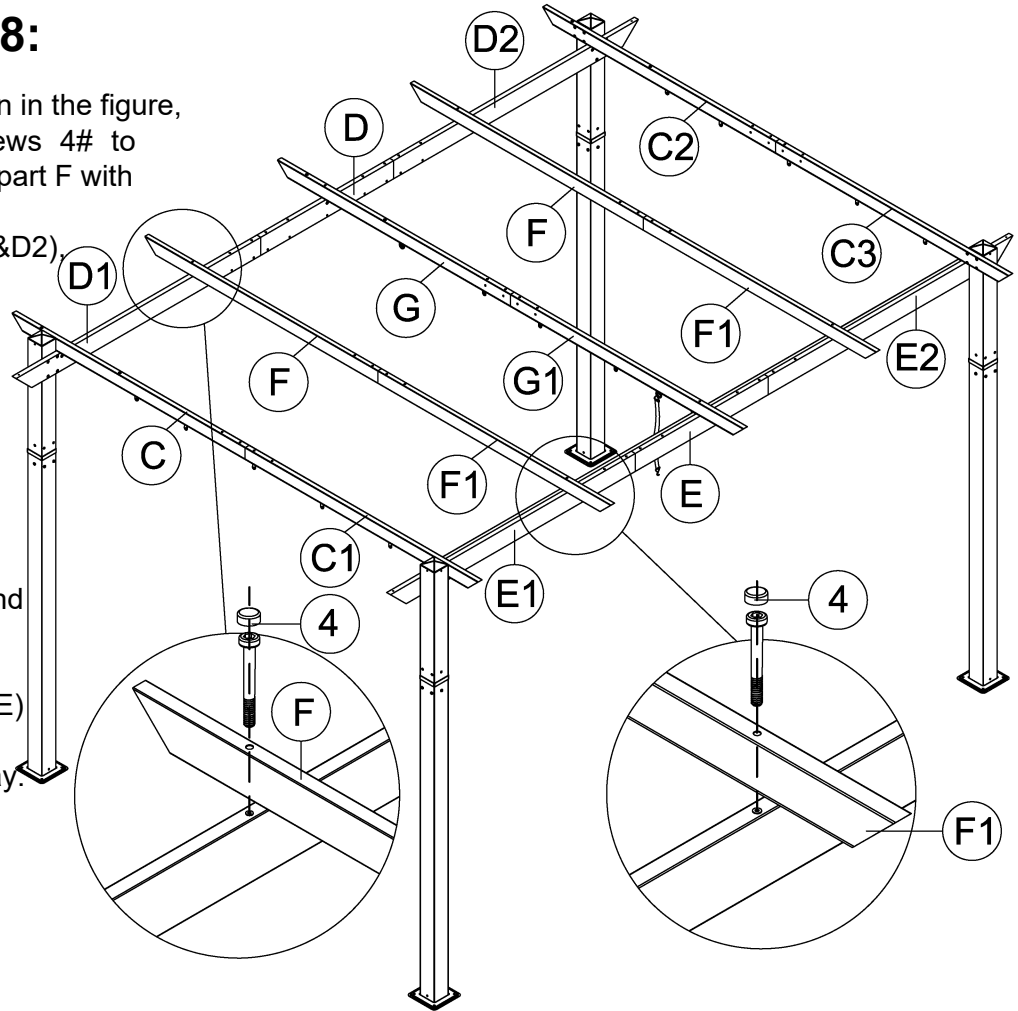


S4

Q 1x

Step 8:

As shown in the figure, use screws 4# to connect part F with beams (part D1&D2), and also connect part F1 with beams (part E1&E2). Then connect part G and G1 with beams (part D&E) in the same way.



Step 9: Insert part J&J1 into the pocket of top roof (part L) as shown in diagram, then insert part H&H1 into the pocket of top roof in turn.

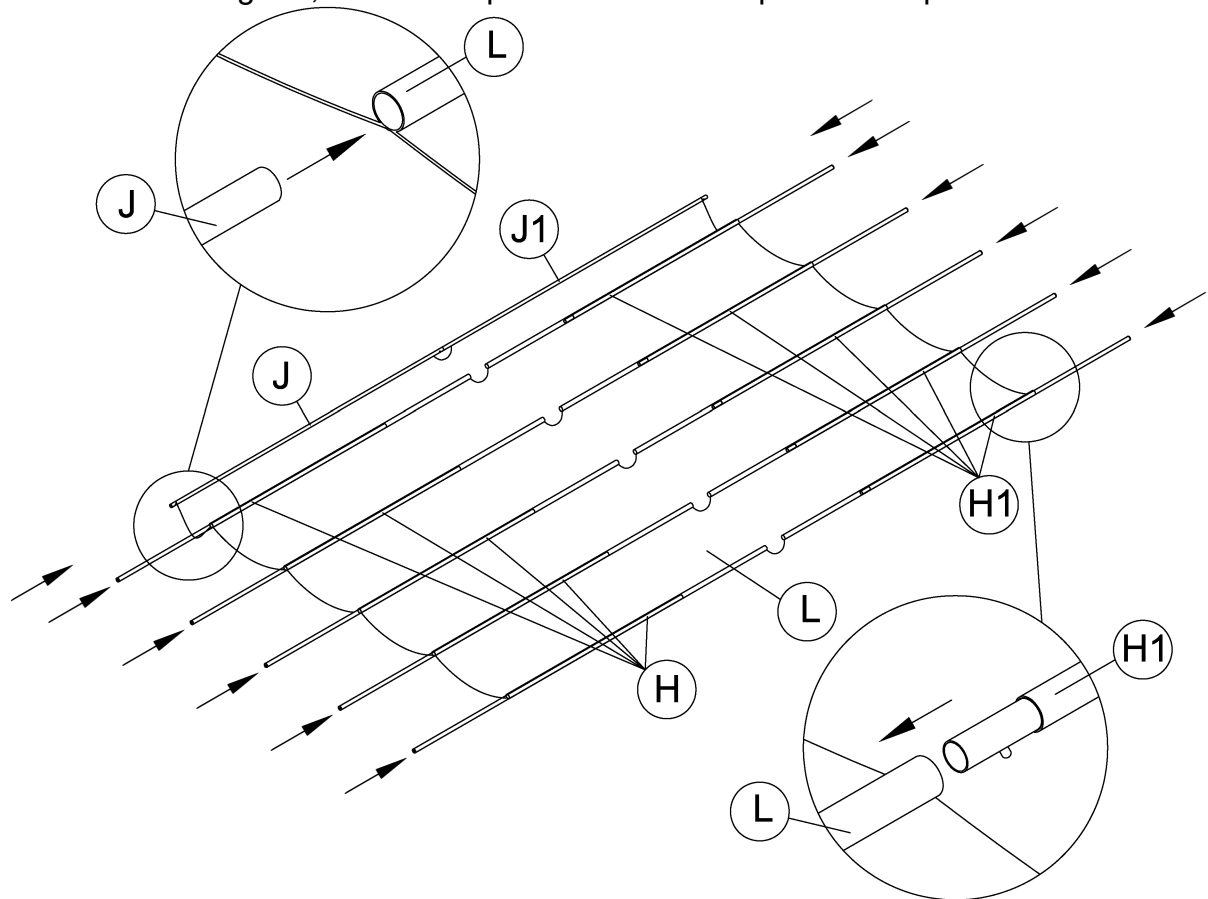
H 5x


H1 5x


J 1x


J1 1x

L 1x



 M6x16
1 10x

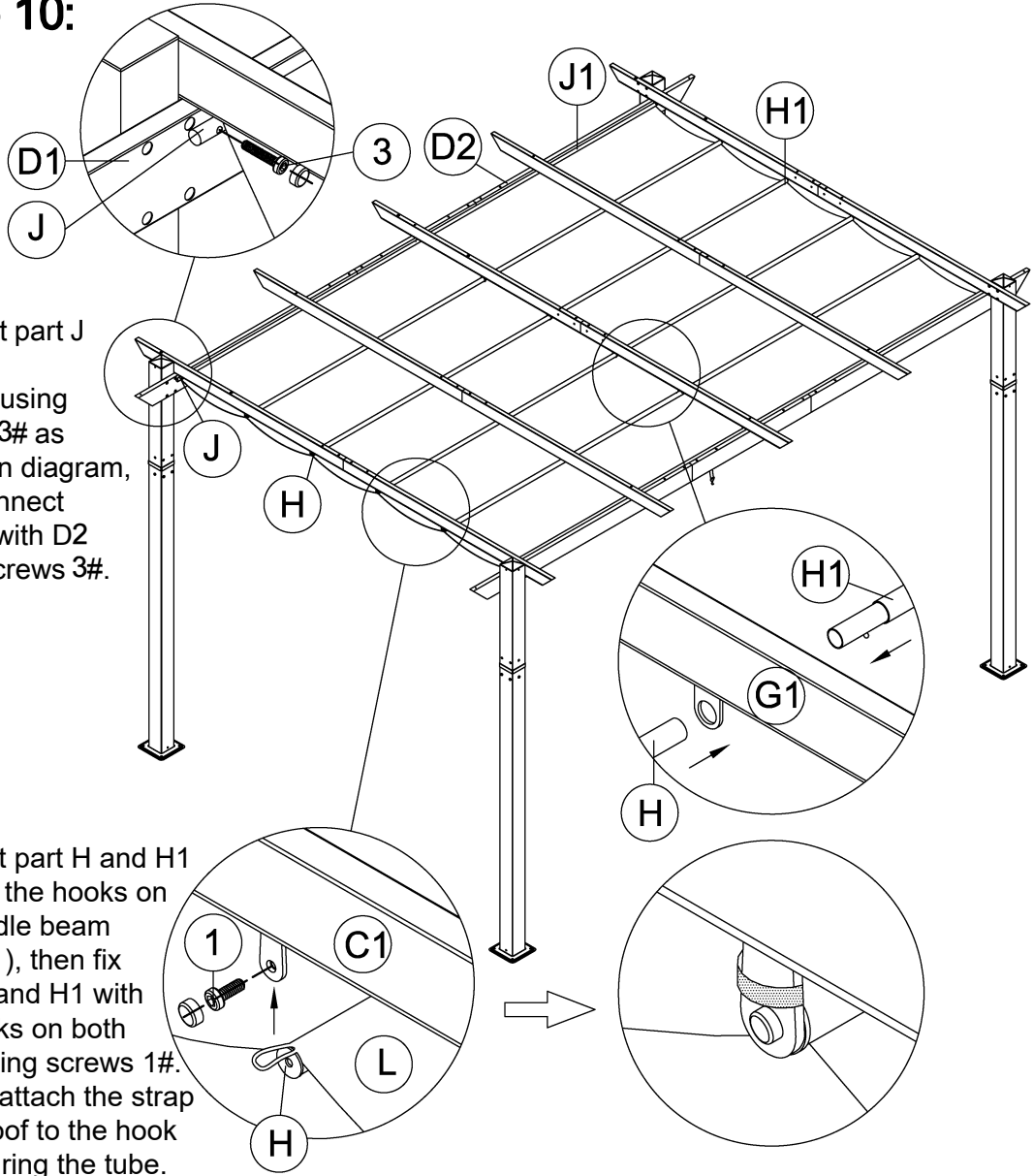
 M6x28
3 3x

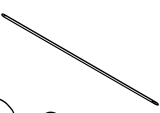
 S4
Q 1x

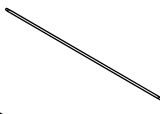
Step 10:


Connect part J with part D1 using screws 3# as shown in diagram, then connect part J1 with D2 using screws 3#.

Connect part H and H1 through the hooks on the middle beam (part G1), then fix part H and H1 with the hooks on both ends using screws 1#. Finally, attach the strap of top roof to the hook for securing the tube.



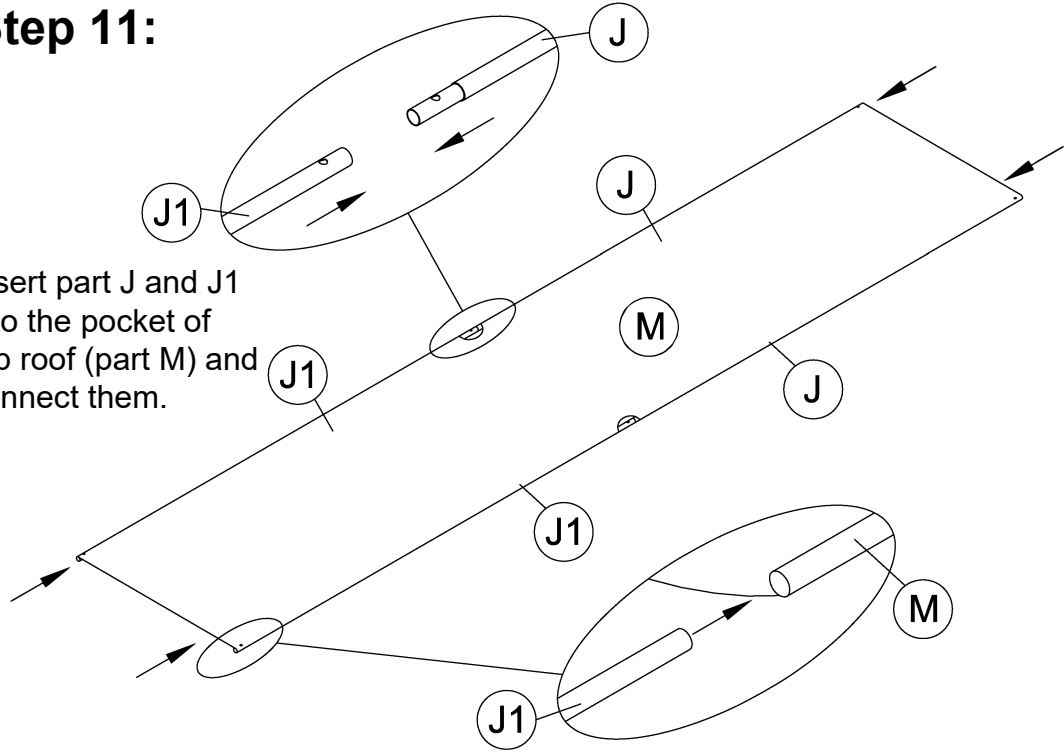
 J 2x

 J1 2x

 M 1x

Step 11:

Insert part J and J1 into the pocket of top roof (part M) and connect them.



10



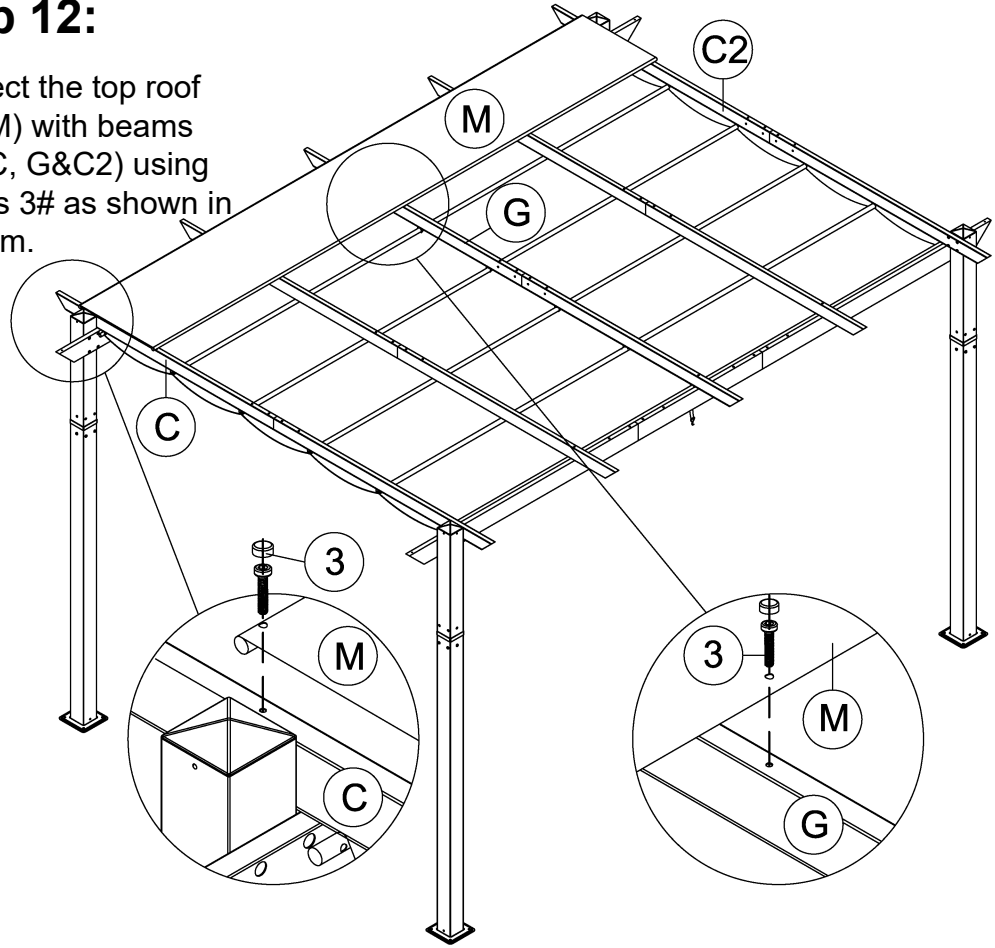
3 6x M6x28



Q 1x S4

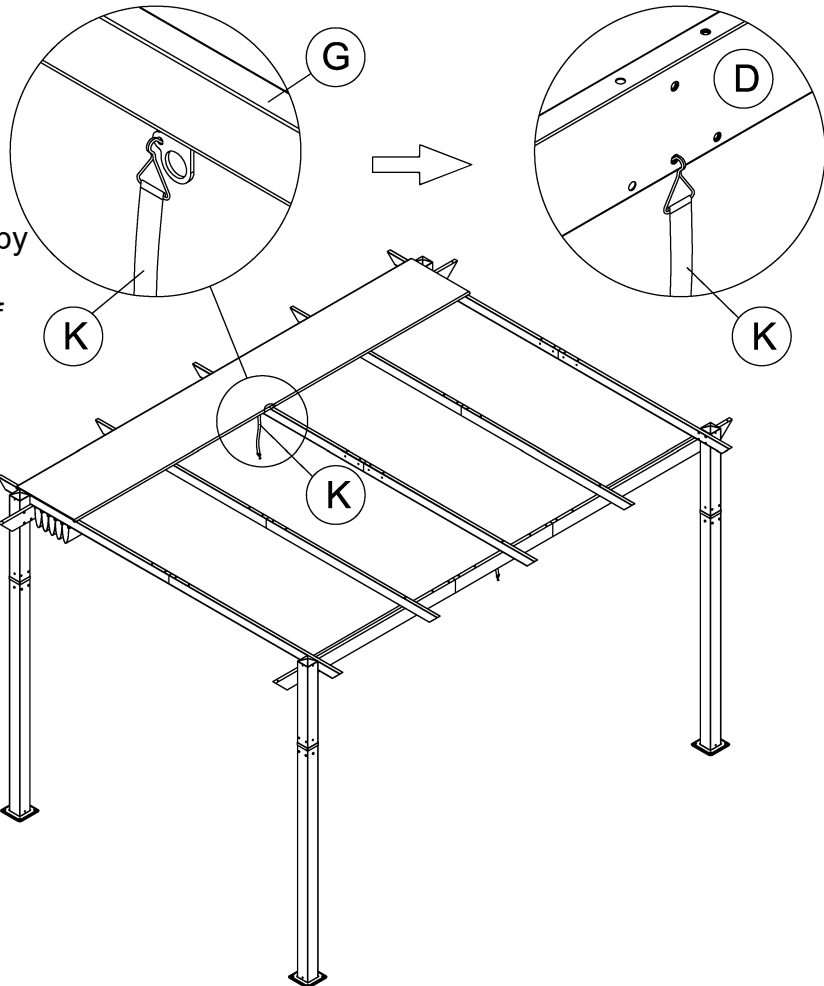
Step 12:

Connect the top roof (part M) with beams (part C, G&C2) using screws 3# as shown in diagram.



Step 13:

When the canopy is folded, hang the other end of string (part K) into the hole on the inside of beam (part D) to secure the top roof.



↑

(P) 8x

Step 14:

Insert stakes (part P) through the hole of stand plate (part B) into the ground, to stabilize the tent.

