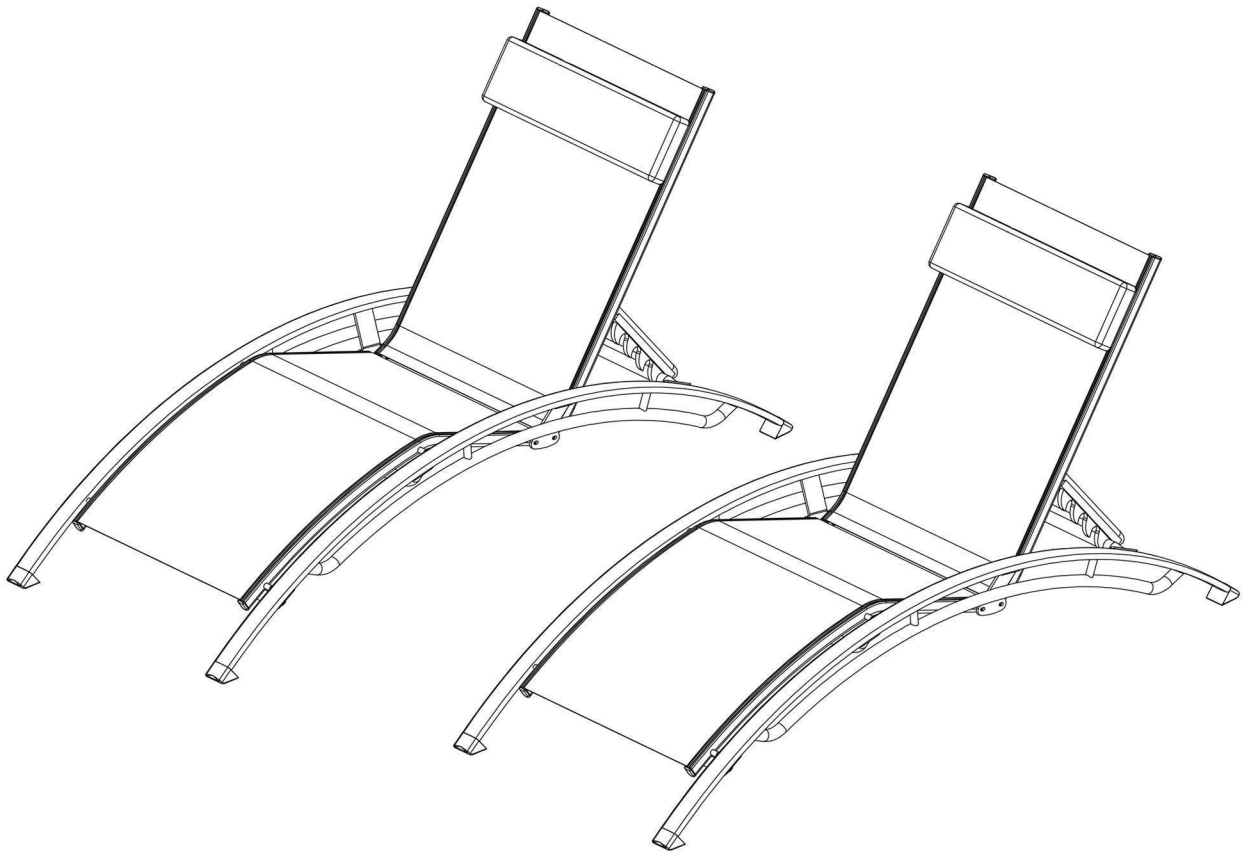
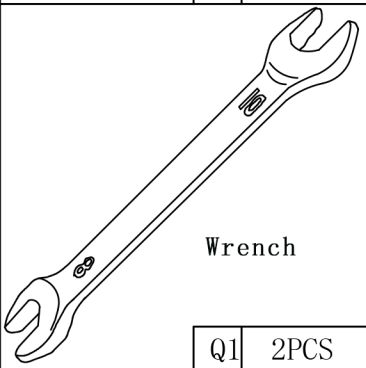
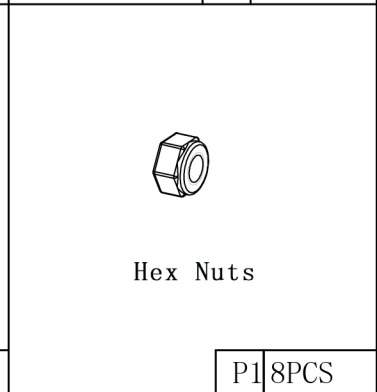
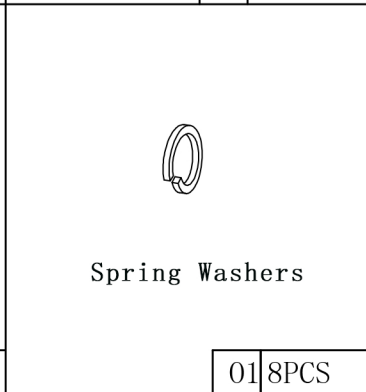
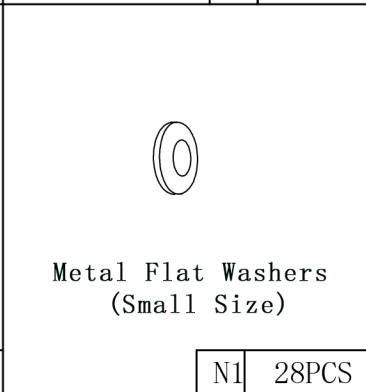
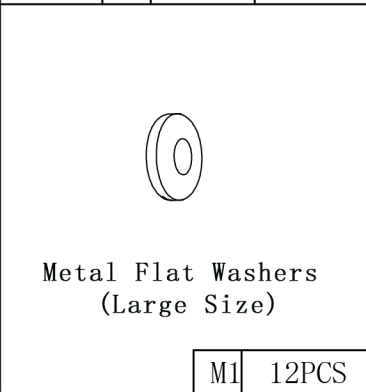
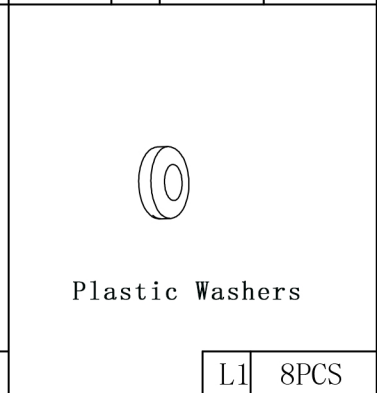
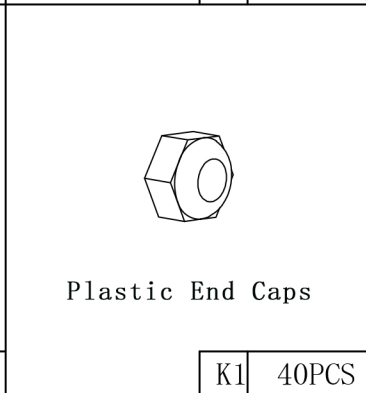
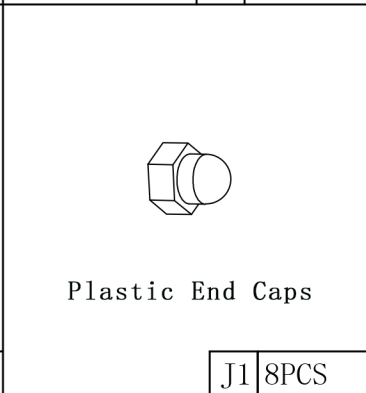
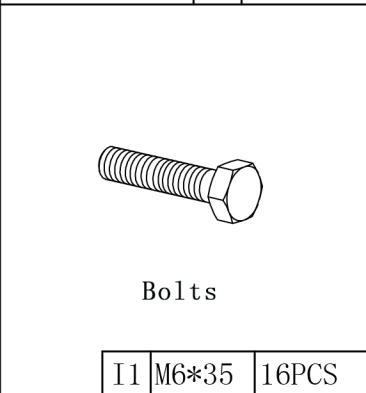
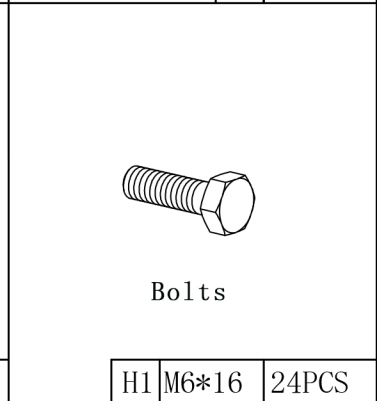
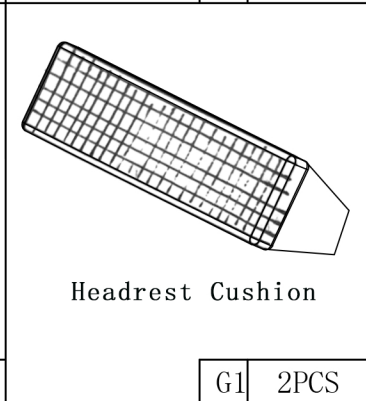
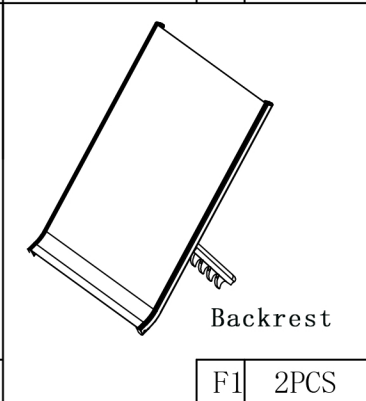
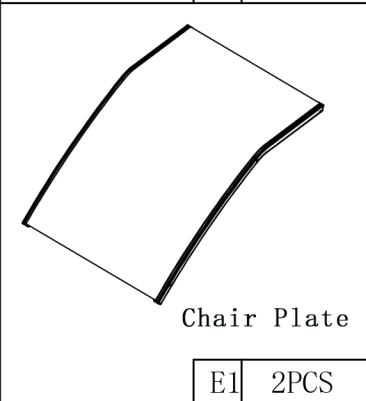
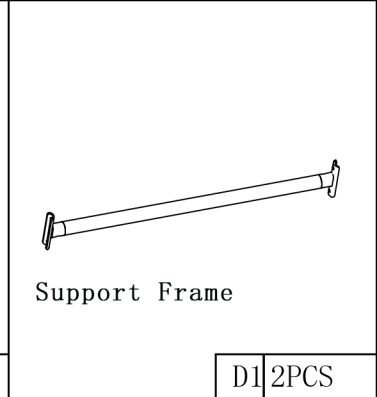
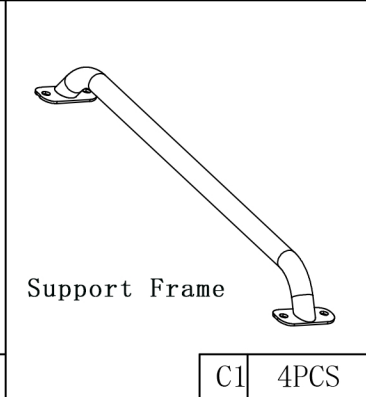
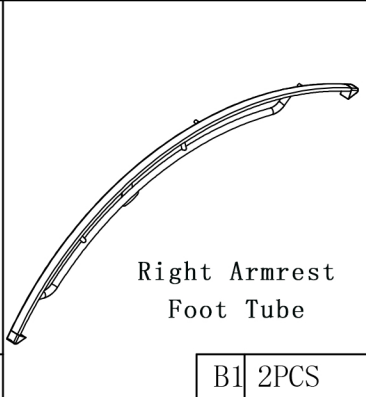
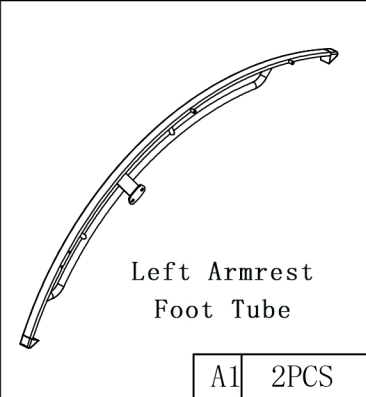


Patio Chaise Lounge Chair Assembly Manual



- Prior to assembly, please confirm all of the parts listed included.
- Friendly Tip: Please don't completely tighten the screws during assembly. After all the screws are assembled in place, tighten them together.



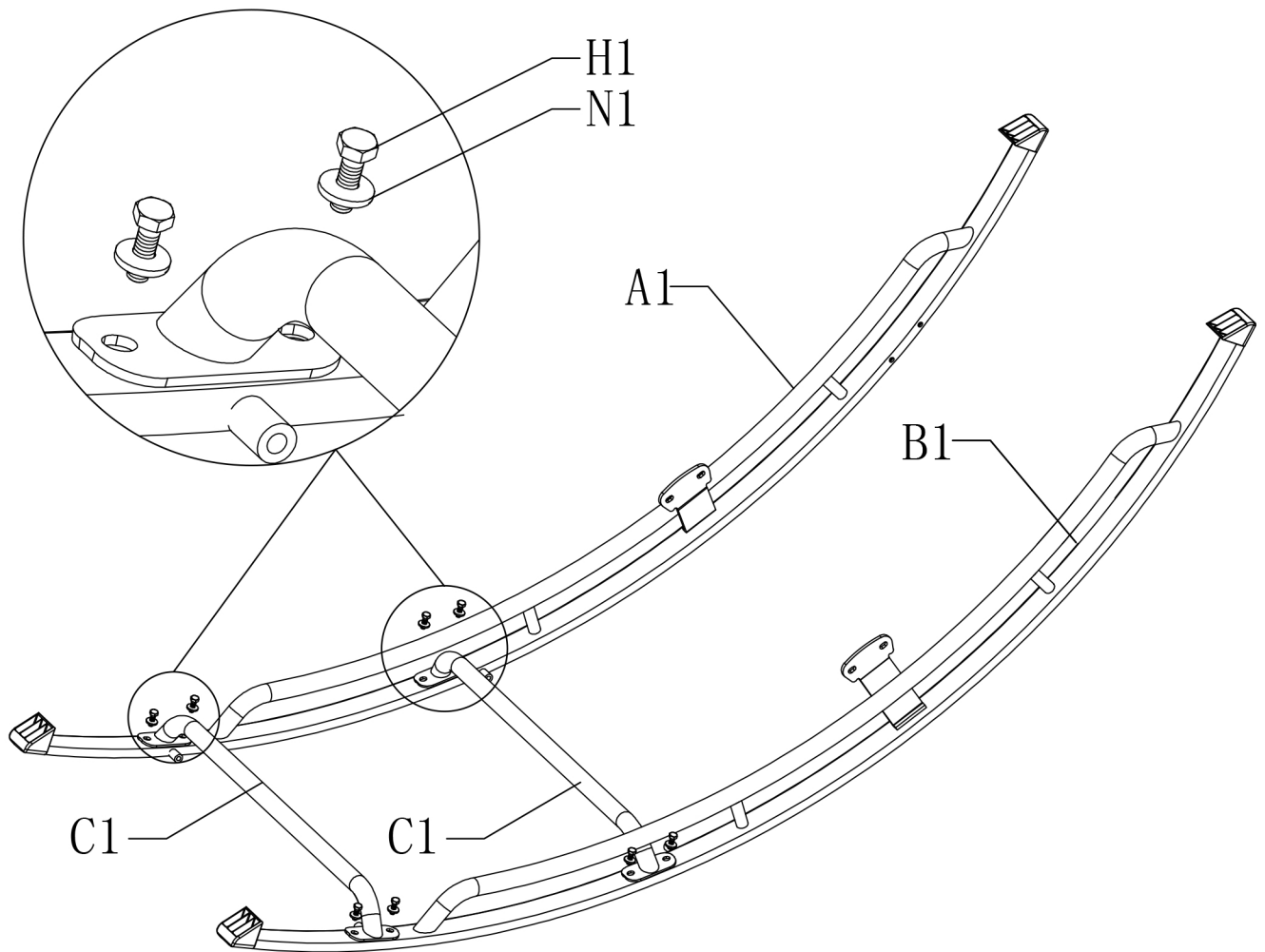
This is the instruction of **2** Lounge Chairs.



Friendly Tip: PLEASE DON'T COMPLETELY TIGHTEN THE SCREWS DURING ASSEMBLY. After all the screws are assembled in place, tighten them together.

Step 1:

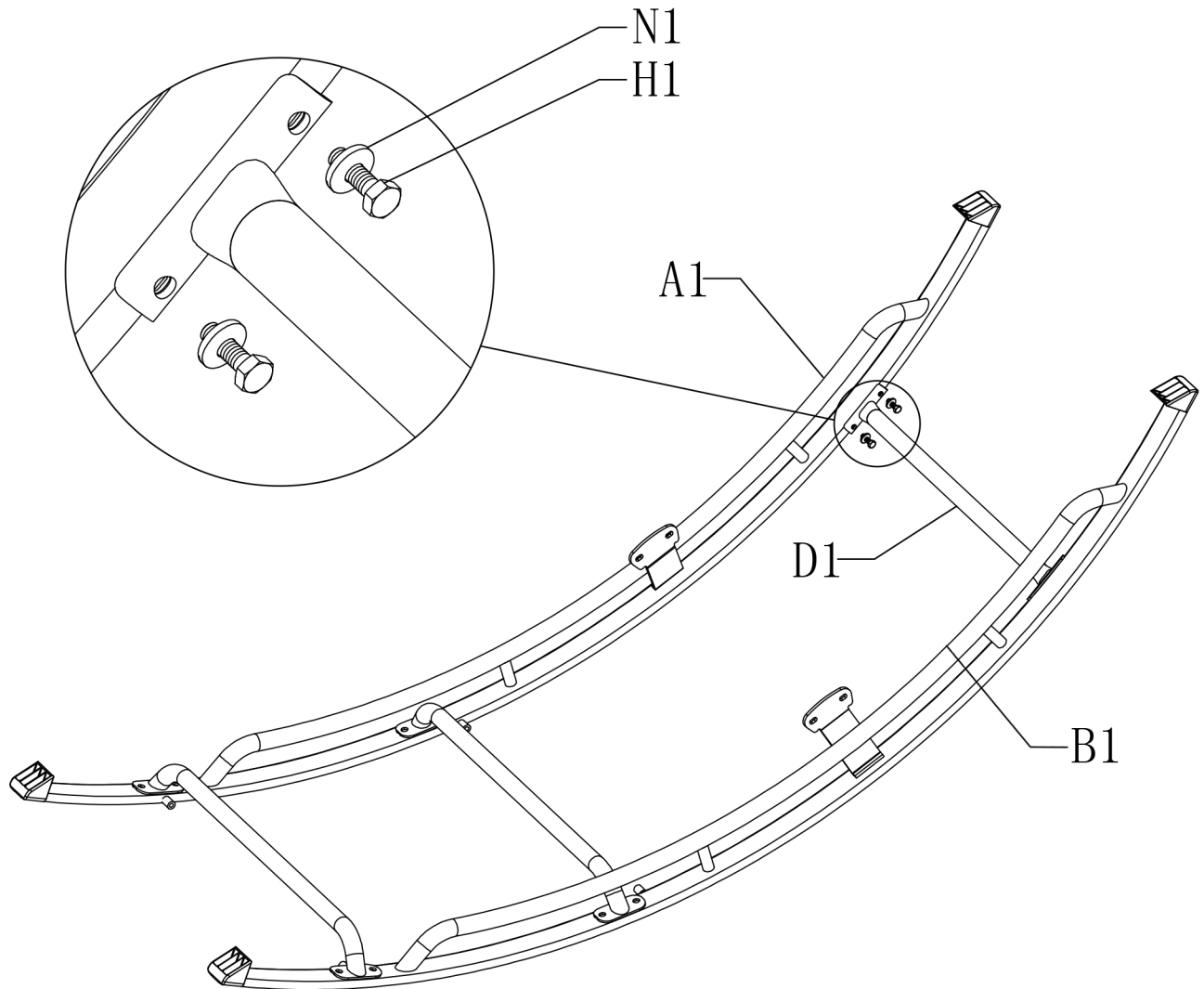
Connect part C1 and part A1 using screws H1, N1 as shown in diagram, then connect part C1 and part B1 in the same way.



Friendly Tip: Please don't completely tighten the screws during assembly. After all the screws are assembled in place, tighten them together.

Step 2:

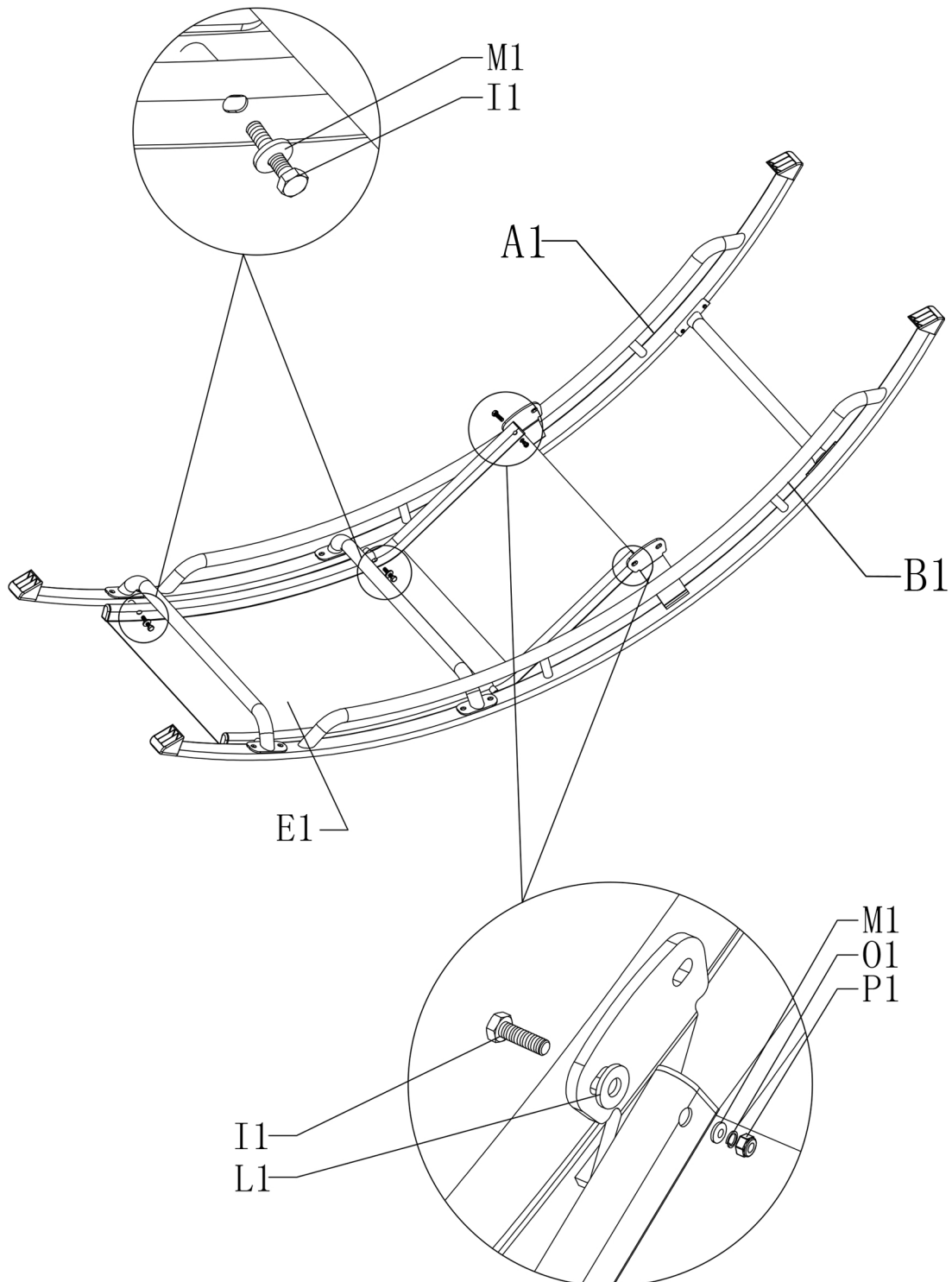
Connect part D1 and part A1 using screws H1, N1 as shown in diagram, then connect part D1 and part B1 in the same way.



Friendly Tip: Please don't completely tighten the screws during assembly. After all the screws are assembled in place, tighten them together.

Step 3:

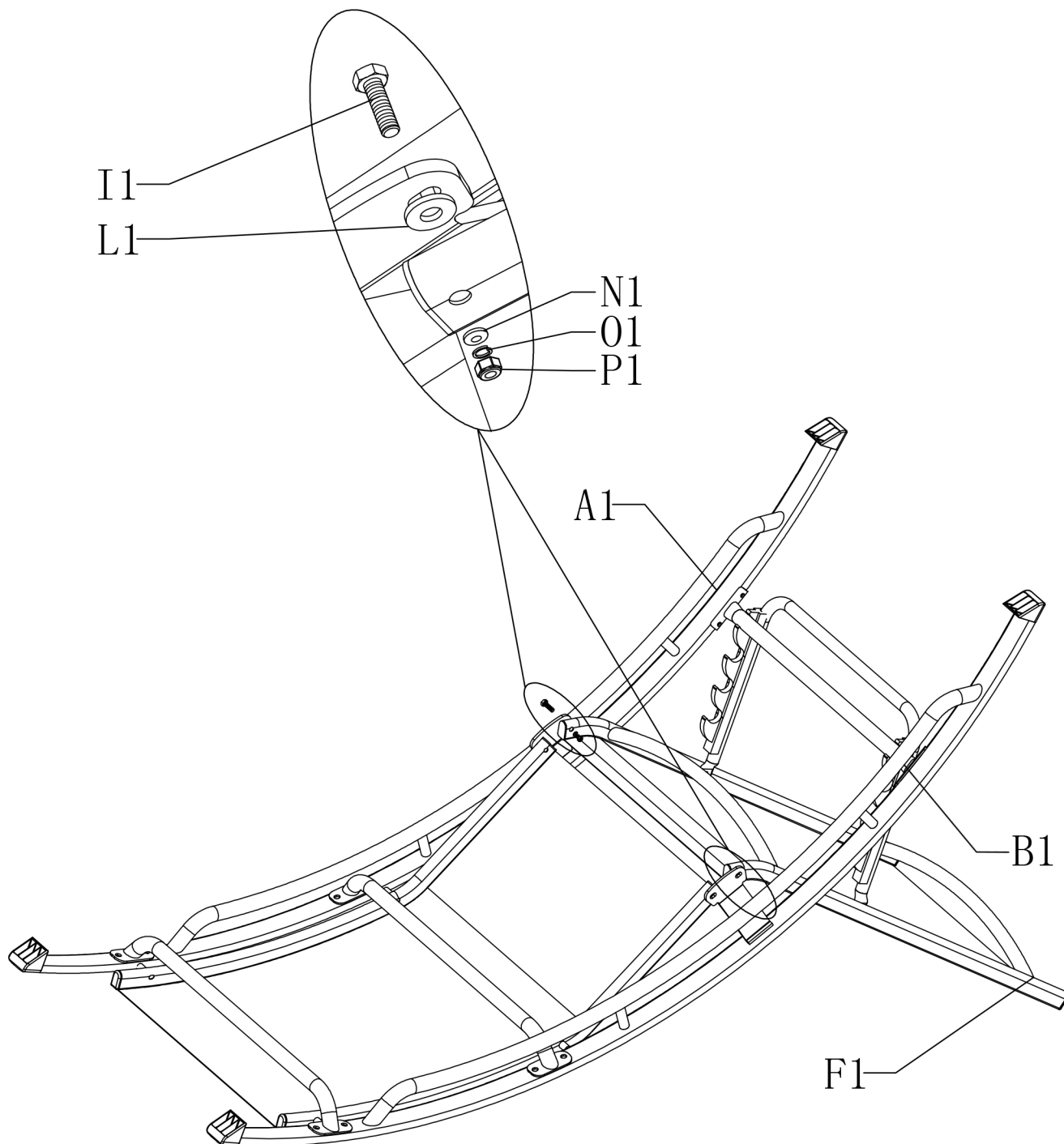
Install part E1 between part A1 and B1 with parts M1, I1. Then put parts I1, L1 & M1, O1, P1 as shown in diagram to reinforce part E1.



Friendly Tip: Please don't completely tighten the screws during assembly. After all the screws are assembled in place, tighten them together.

Step 4:

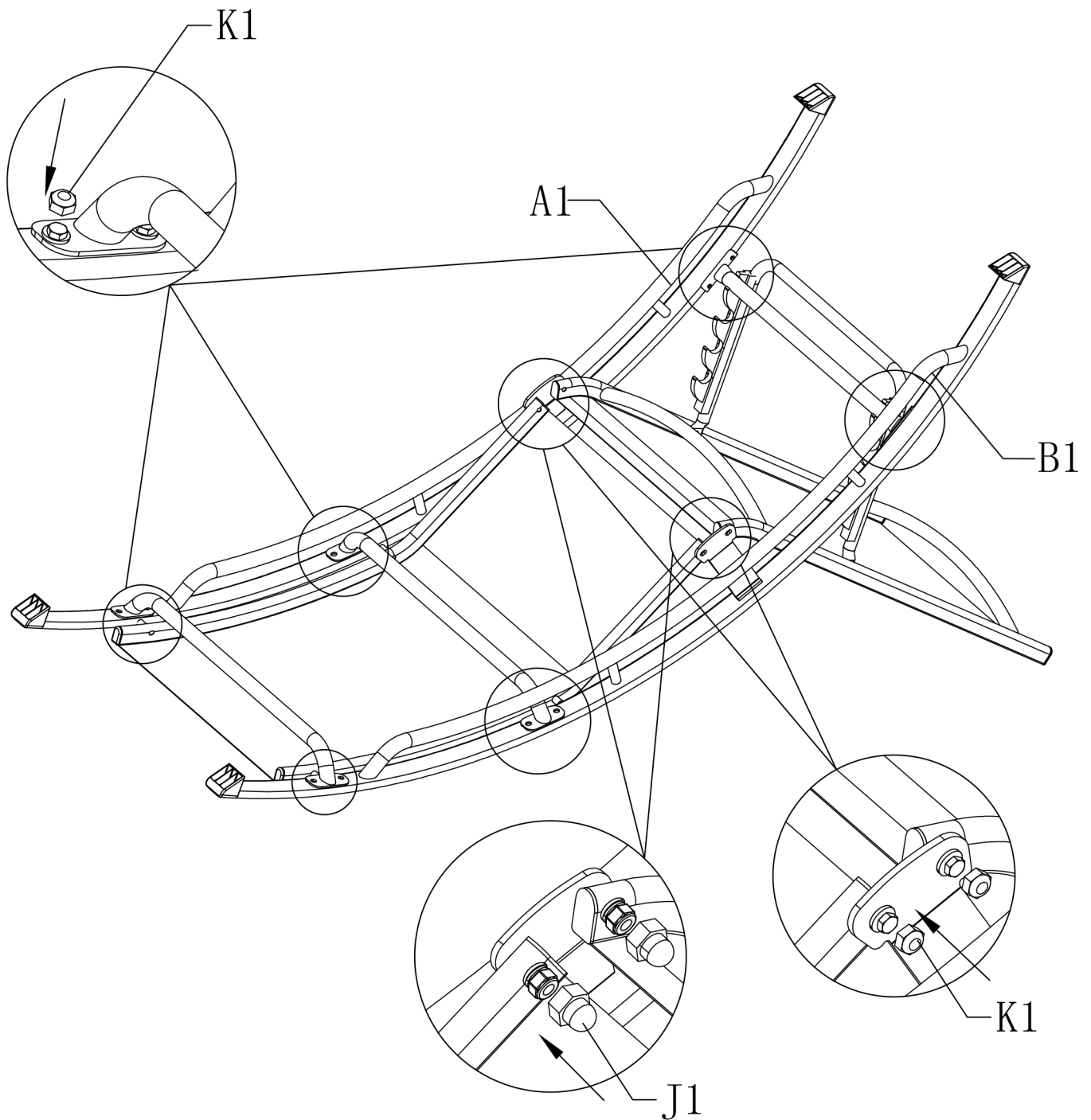
Install part F1 between part A1 and B1 with parts parts I1, L1 & N1, O1, P1, J1 as shown in diagram.



Friendly Tip: Please don't completely tighten the screws during assembly. After all the screws are assembled in place, tighten them together.

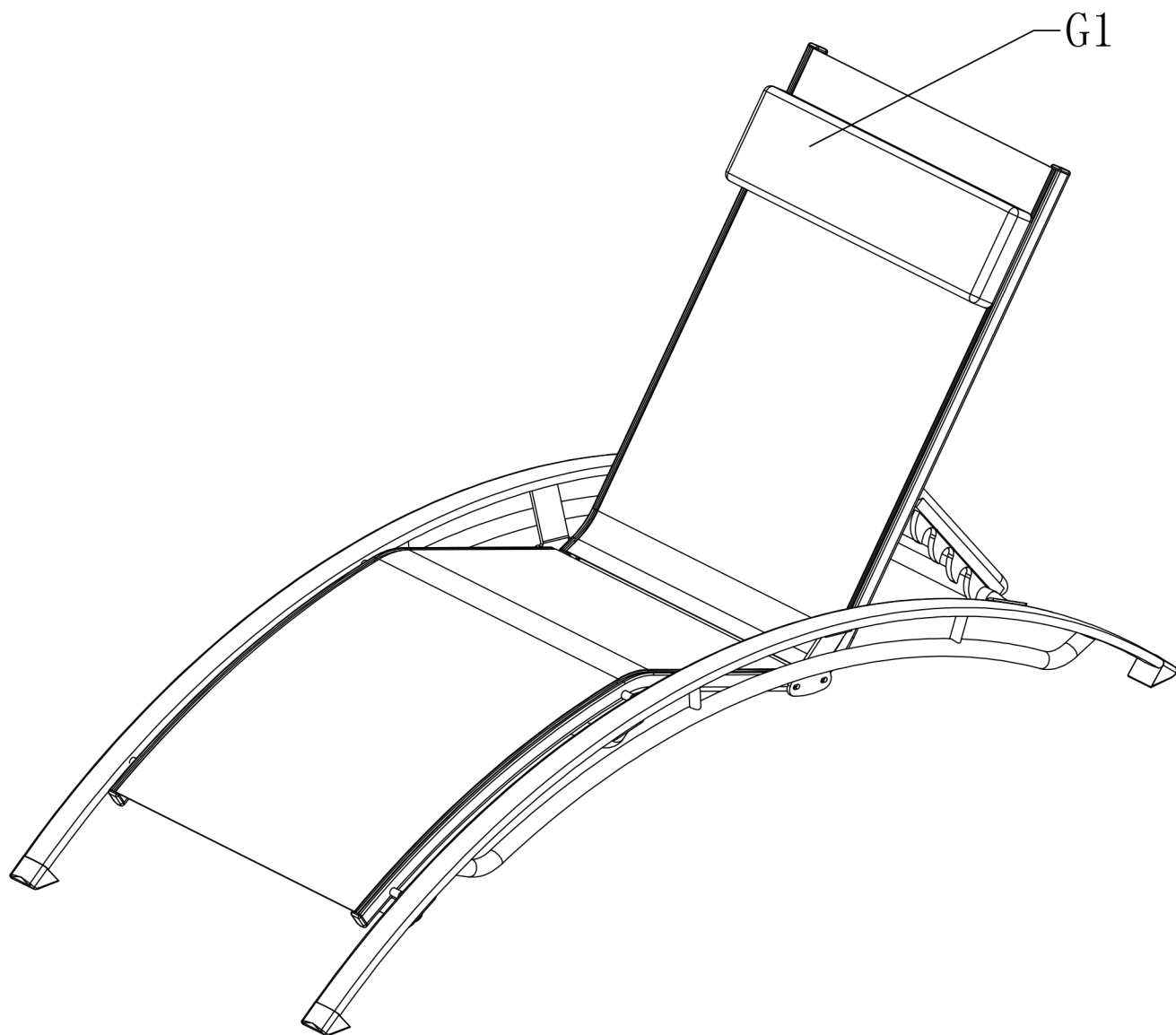
Step 5:

Check to make sure all screws are fixed tightly before use. Finally install K1 in the 3 locations as shown. Repeat for another lounge chair.



Step 6:

Install G1 on F1.





RESORT COMFORT IN YONR
OWN BACKYARD

Thanks for your purchase.

At domi outdoor living, we believe in our products.

That's why we provide a 12-month warranty and

friendly, easy-to-reach after-sales service. So if you

have any questions about our product and assembly-

, please feel free to contact us. We will be here for you.

Support:  

email: domiservice01@outlook.com

Please tell us your order ID when contact.

Attach photos of damaged part for instant reply.