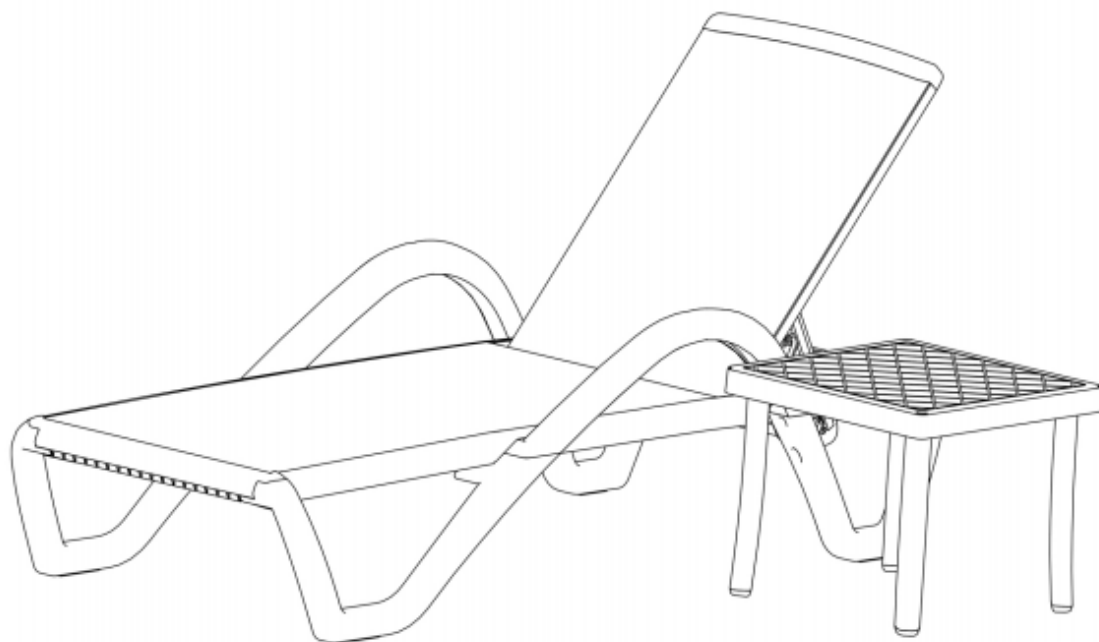
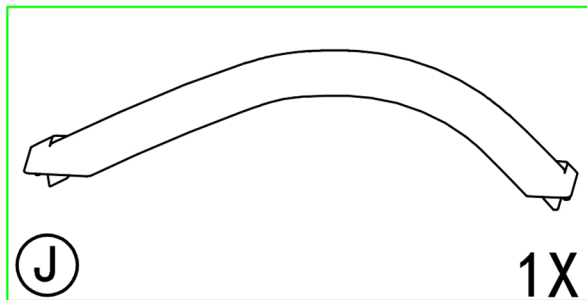
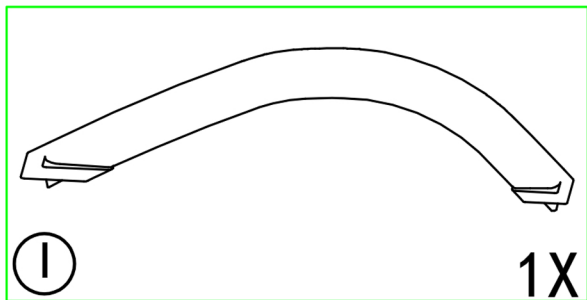
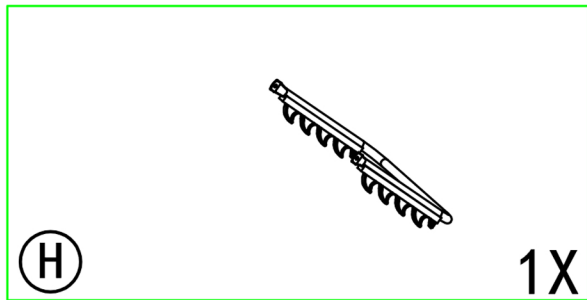
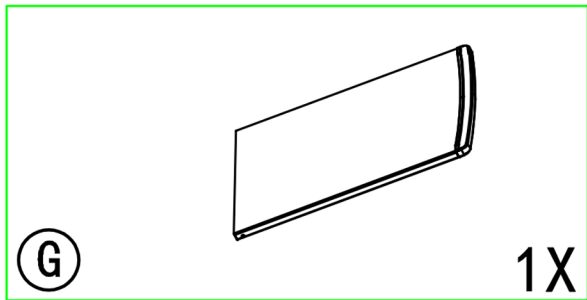
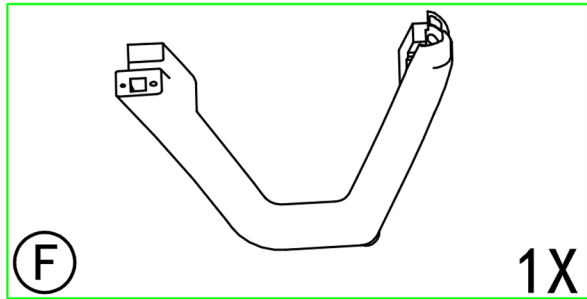
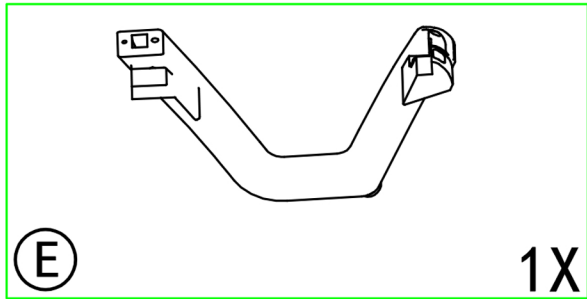
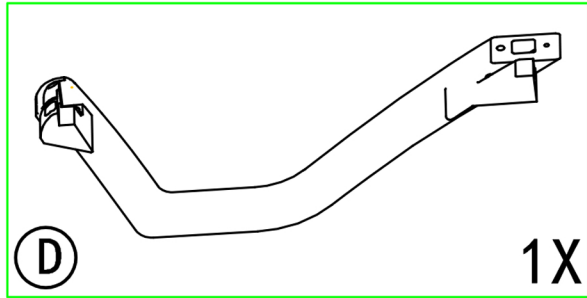
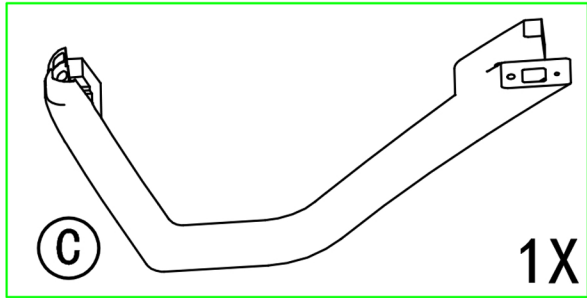
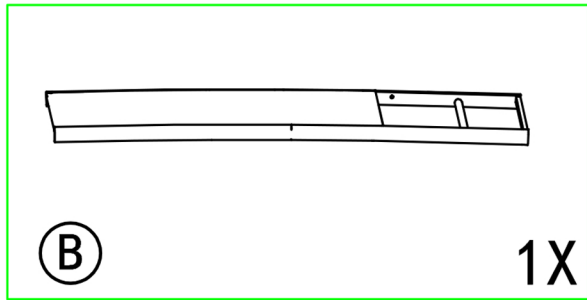
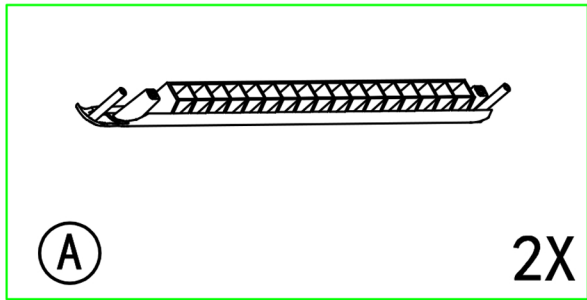


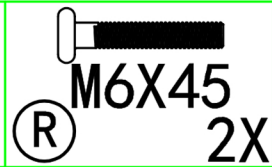
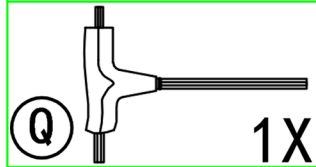
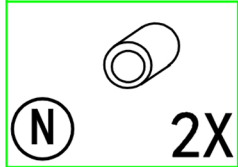
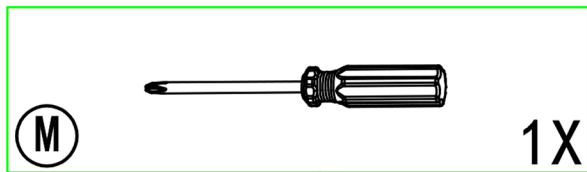
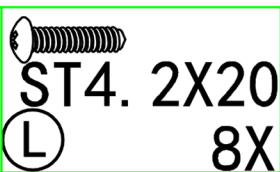
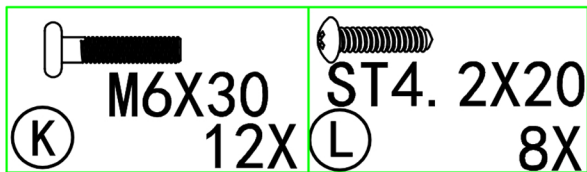
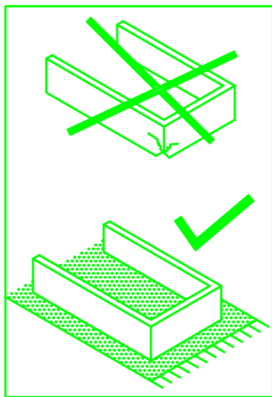
## **Patio Chaise Lounge Chair With Table Assembly Manual**



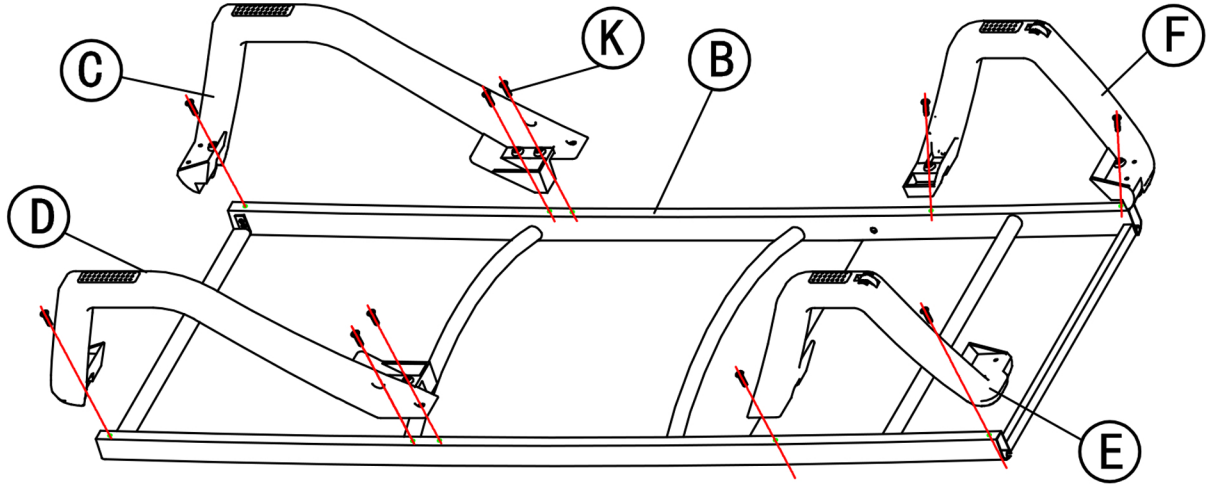
- Prior to assembly, please confirm all of the parts listed included.
- All bolts should be tightened before use. Maybe, you need allen wrench for assembly.



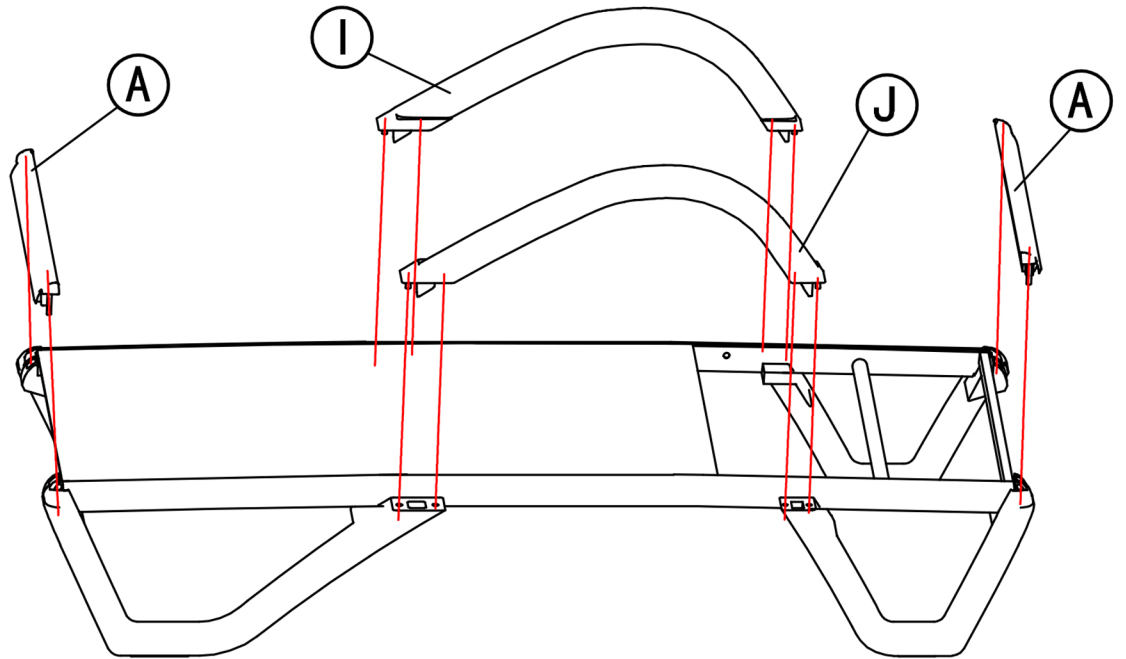
Please assemble the lounge chair on the carton or carpet to avoid scratch.



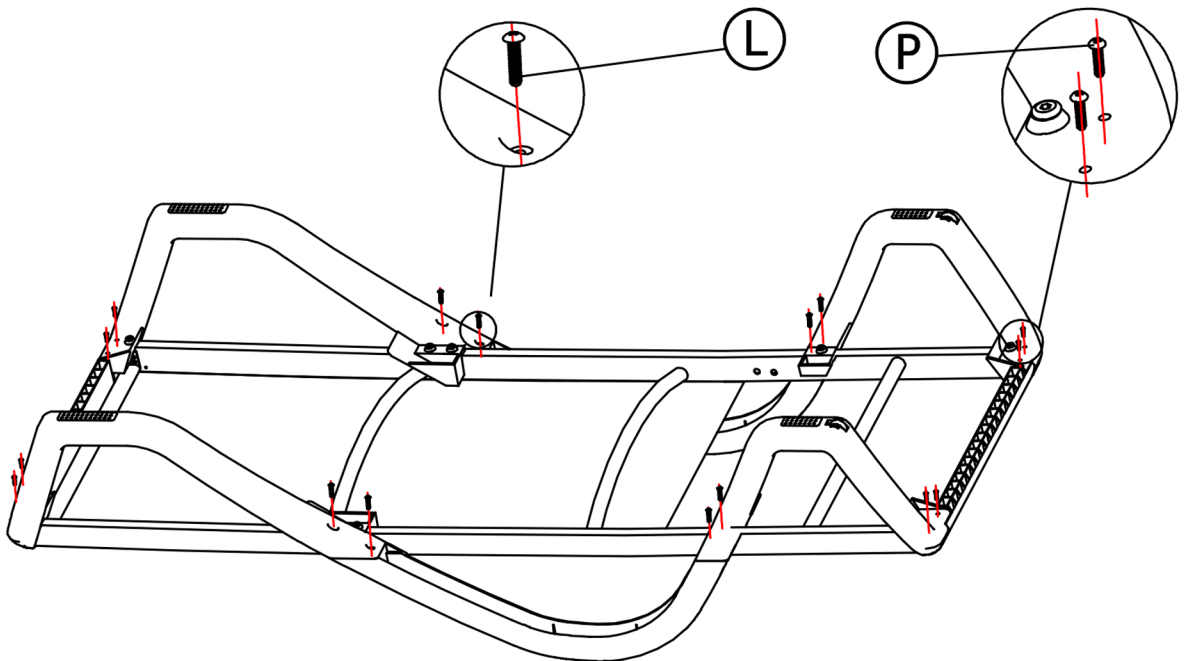
**Assemble four legs Part C,Part D,Part F and Part E to the seat Part B with screws Part K.**



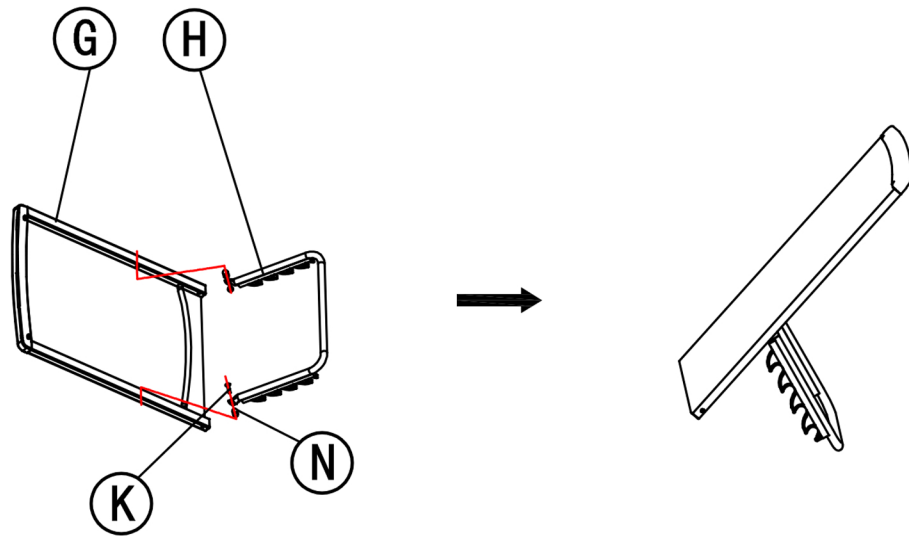
**Assemble Part A to the seat Part B,then assemble Armrest Part I and Part J to the seat Part B.**



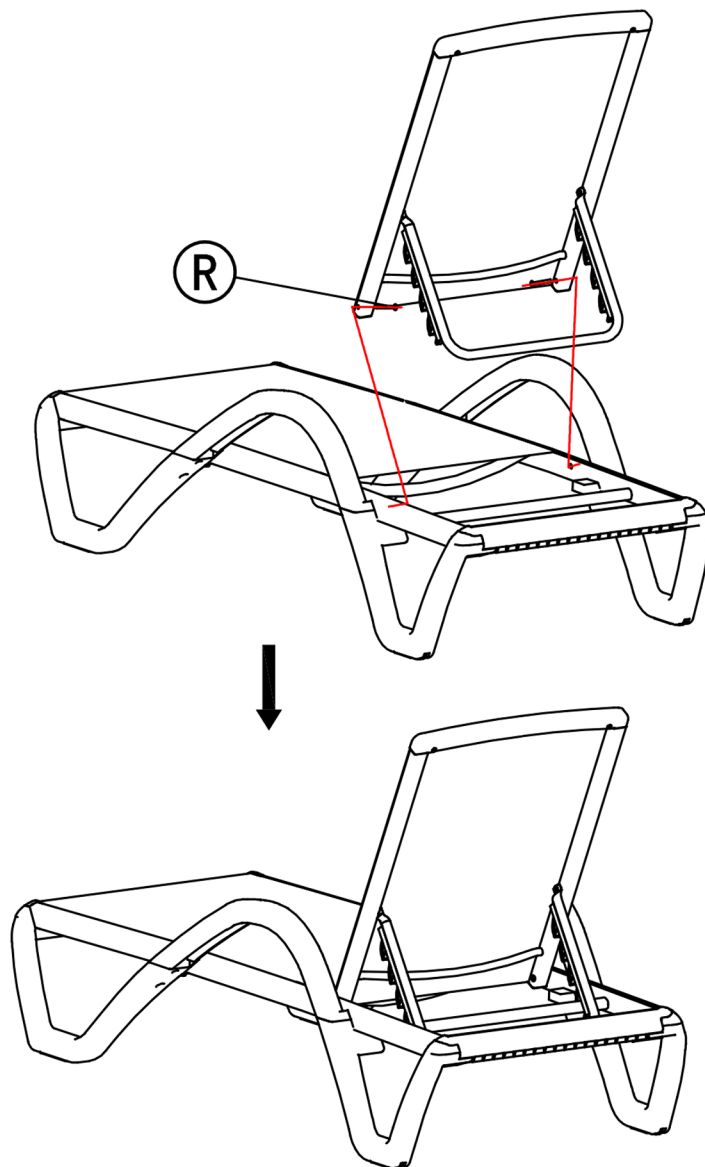
**Then use screws Part L and Part P to lock the legs. Tighten all screws before using.**



**Assemble backrest Part G and adjustable gear Part H together using screws Part K and Part N.**





**Assemble backrest and adjustable gear to the seat Part B with screws Part R.**

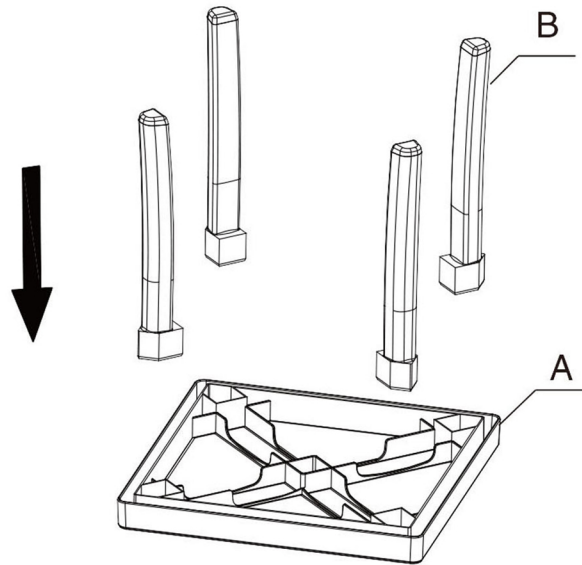


# Table Assembly Manual

## Part list

|   |      |
|---|------|
|  | A    |
| Table Top   | 1pcs |
|  | B    |
| Leg   | 4pcs |

**Step 1:**  
Insert Part B(four legs) to Part A(table top).



**Step 2:**  
Set the chair straight.

