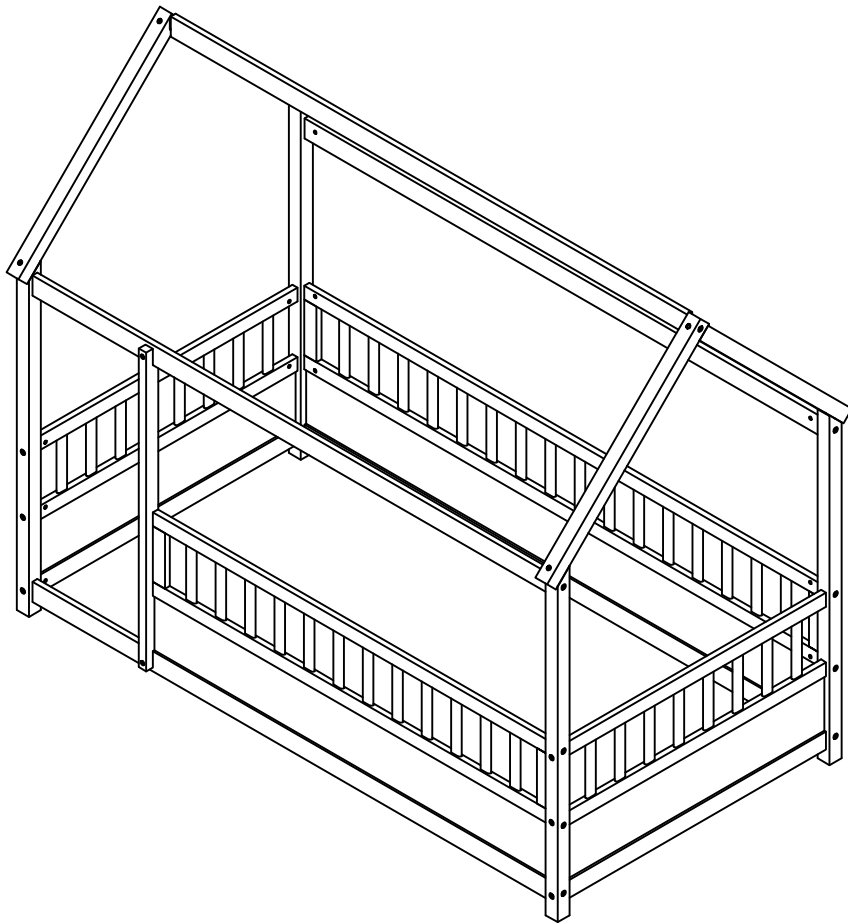


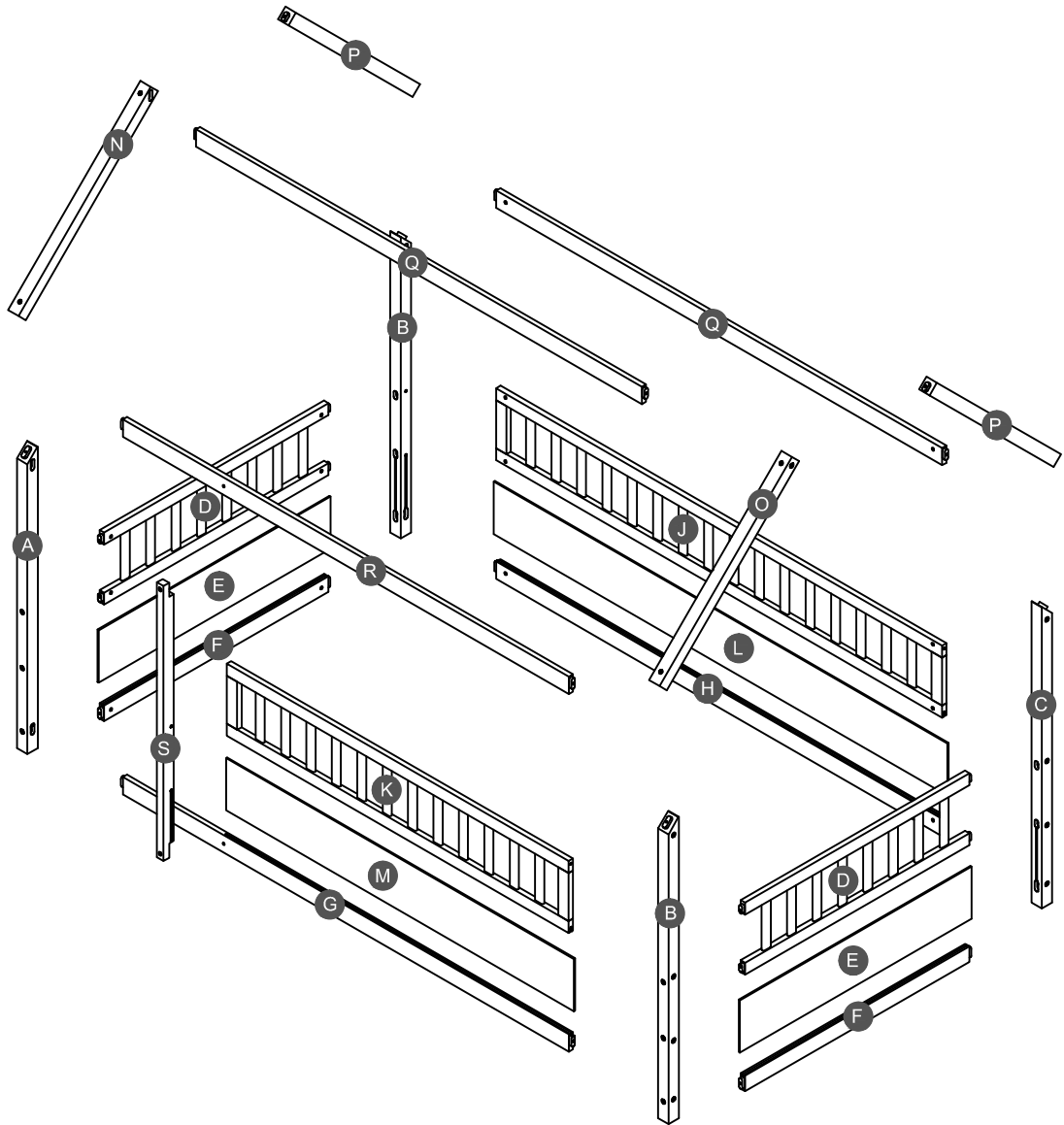
# ASSEMBLY INSTRUCTIONS

## TWIN HOUSE BED

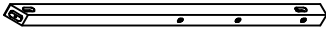
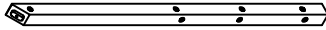
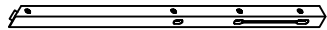
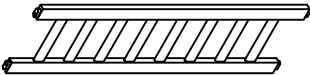
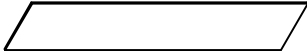
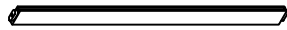
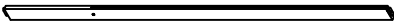
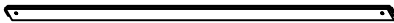

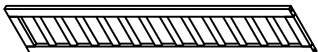


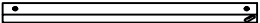
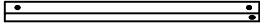

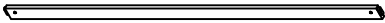

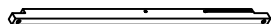


**SWB001/SWB002**


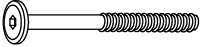


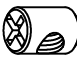
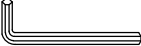
# Detail View



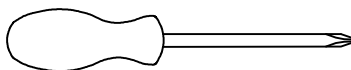
# Part List

<p><b>A</b></p>  <p>Leg (Left Front) - 1pc</p>	<p><b>B</b></p>  <p>Leg (Left Back/Right Front) - 2pcs</p>	<p><b>C</b></p>  <p>Leg (Right Back) - 1pc</p>
<p><b>D</b></p>  <p>Frame HB/FB - 2pcs</p>	<p><b>E</b></p>  <p>Side panel HB/FB - 2pcs</p>	<p><b>F</b></p>  <p>Lower horizontal bar HB/FB - 2pcs</p>
<p><b>G</b></p>  <p>Lower horizontal bar (Front) - 1pc</p>	<p><b>H</b></p>  <p>Lower horizontal bar (Back) - 1pc</p>	<p><b>J</b></p>  <p>Long guard rail (Back) - 1pc</p>
<p><b>K</b></p>  <p>Short guard rail (Front) - 1pc</p>	<p><b>L</b></p>  <p>Back panel - 1pc</p>	<p><b>M</b></p>  <p>Front panel - 1pc</p>
<p><b>N</b></p>  <p>Upper (Left Front) - 1pc</p>	<p><b>O</b></p>  <p>Upper (Right Front) - 1pc</p>	<p><b>P</b></p>  <p>Upper (Back) - 2pcs</p>
<p><b>Q</b></p>  <p>Upper horizontal bar - 2pcs</p>	<p><b>R</b></p>  <p>Upper horizontal bar (Front) - 1pc</p>	<p><b>S</b></p>  <p>Vertical guard rail (Front) - 1pc</p>

# Hardware List

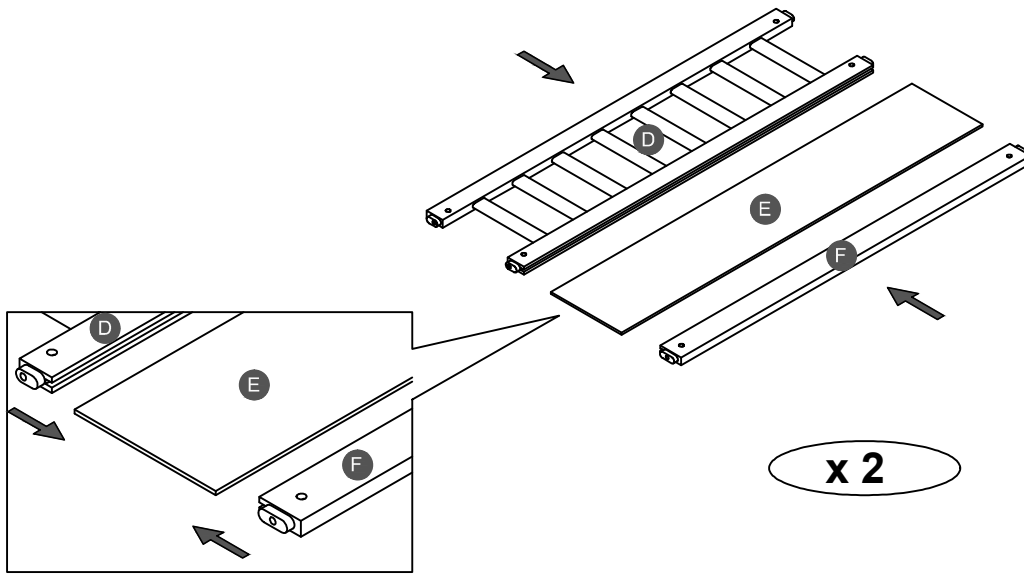
<b>1</b>  (Ø15)1/4"*100mm	<b>2</b>  (Ø15)1/4"*80mm	<b>3</b>  (Ø12)1/4"*35mm
Hex-Head bolts (16pcs)	Hex-Head bolts (14pcs)	Hex-Head bolts (2pcs)
<b>4</b>  (Ø12)1/4"*65mm	<b>5</b>  1/4"*15 (9.5mm)	<b>6</b>  (1/4")4.5*58mm
Wood screw bolts (6pcs)	Horizontal-Hole bolts (30pcs)	Allen key (1pc)

## ASSEMBLY TOOLS REQUIRED ( NOT INCLUDED )

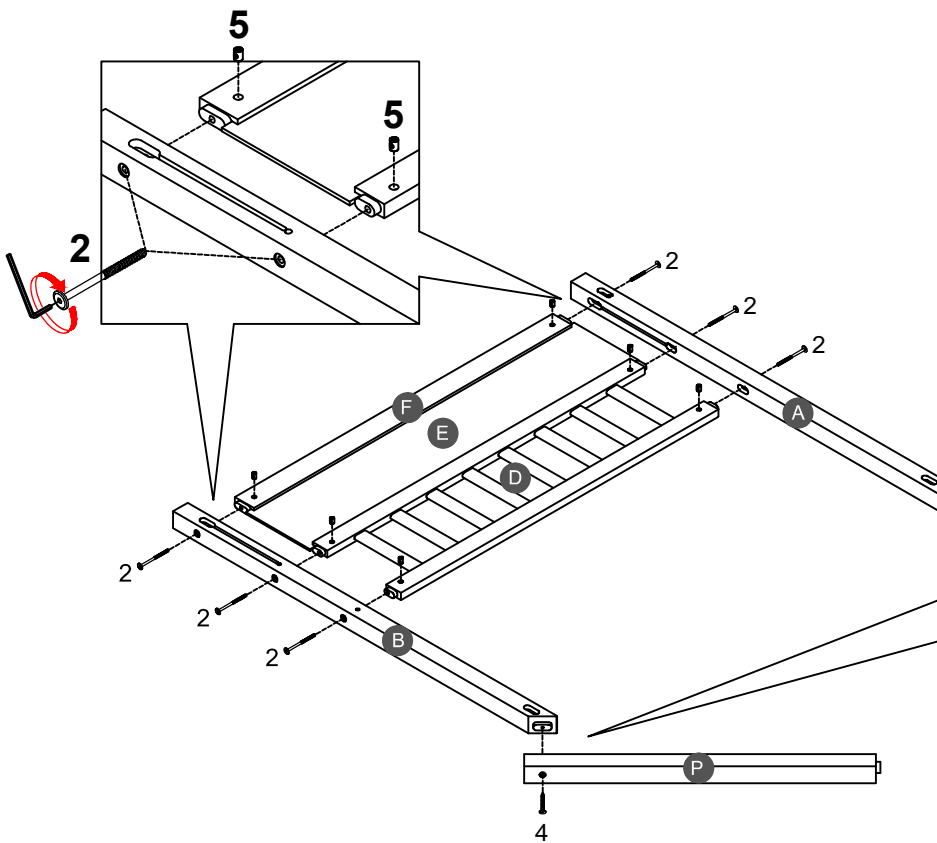


PLEASE BE CAREFUL DO NOT DAMAGE THE HOLE POSITION WHEN YOU USE POWER TOOLS !

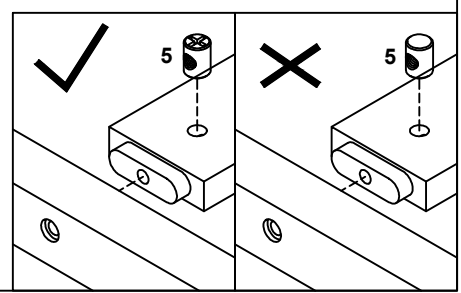
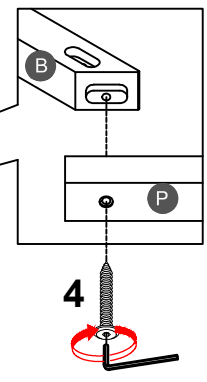
**STEP 1:**



**STEP 2:**




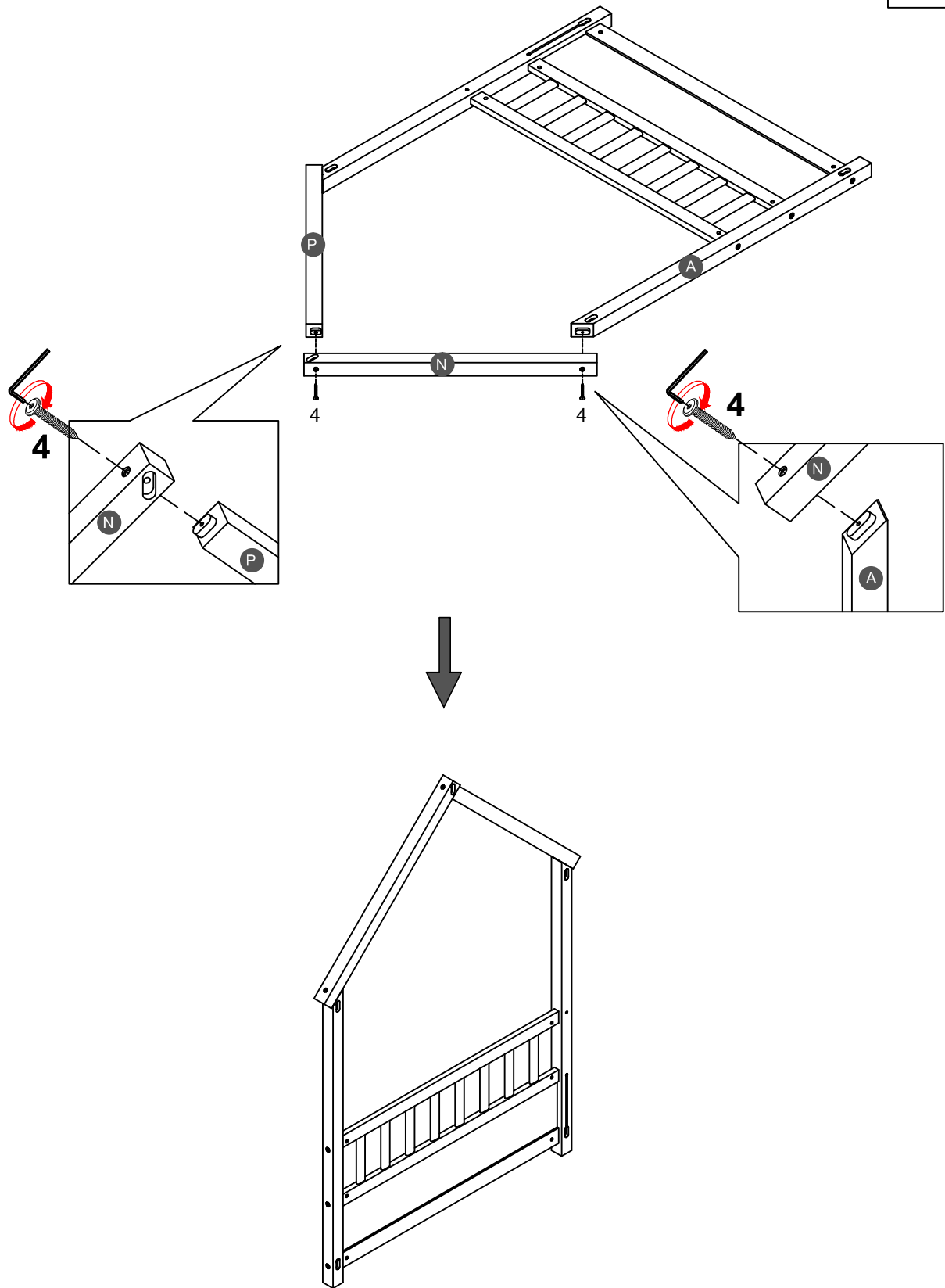
<b>2</b>		<b>4</b>	
<b>6PCS</b>		<b>1PC</b>	
		<b>5</b>	
		<b>6PCS</b>	



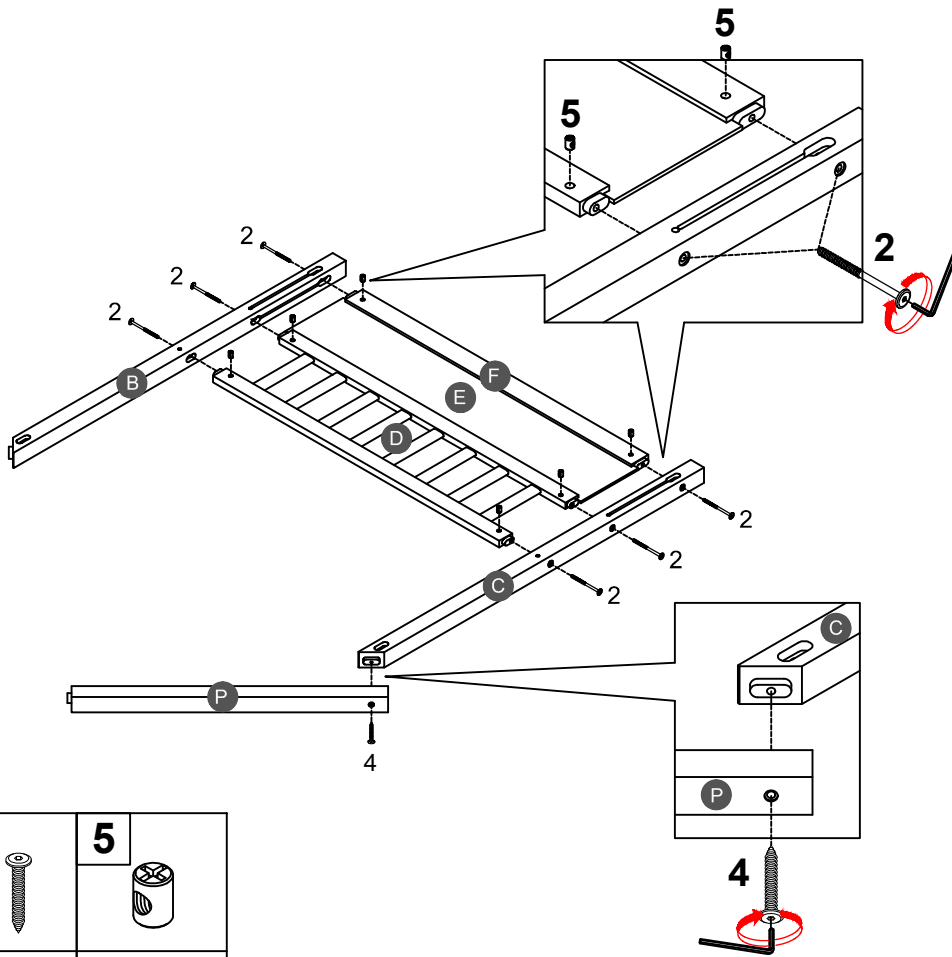
Note: Part 5 will face up with the "x" mark on it, otherwise it cannot be tightened




**STEP 3:**

<b>4</b>	
<b>2PCS</b>	

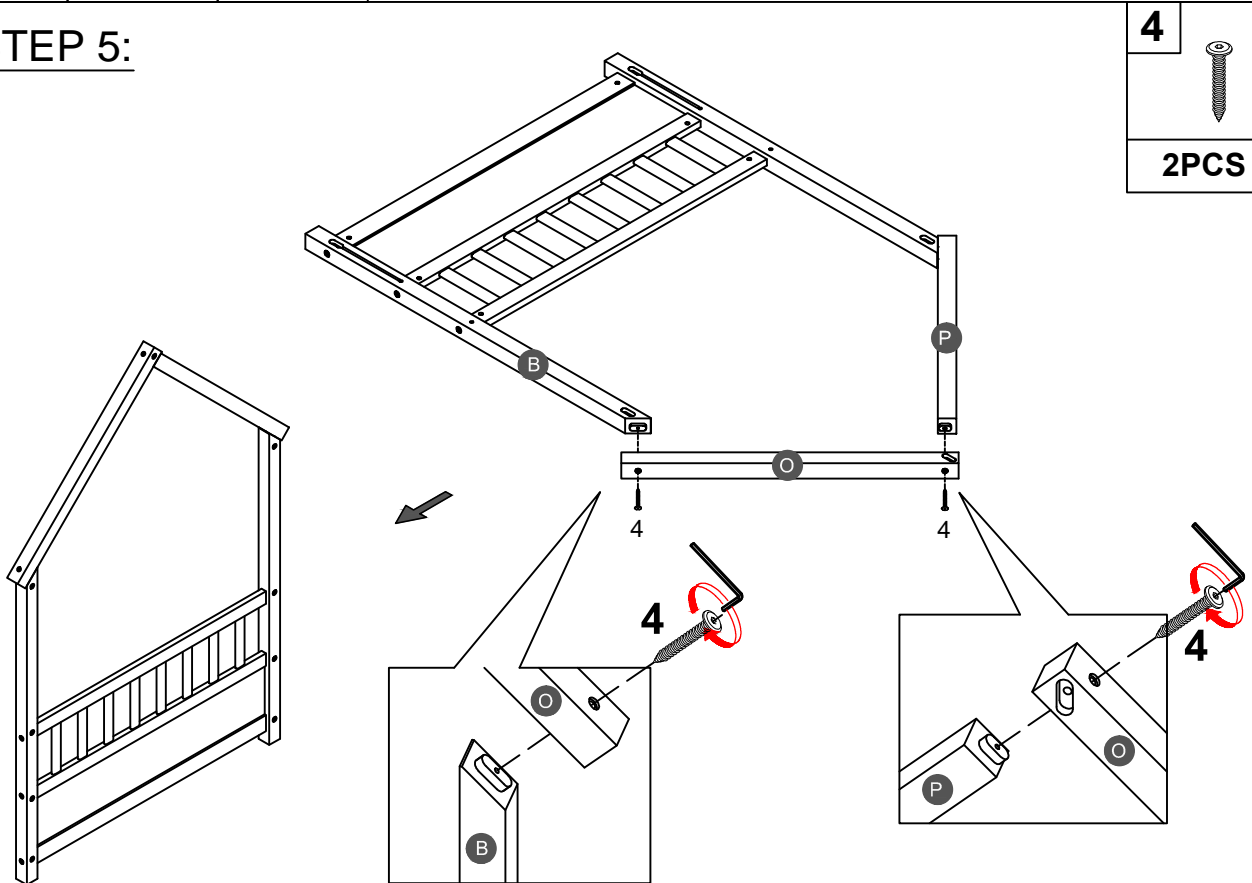



**STEP 4:**



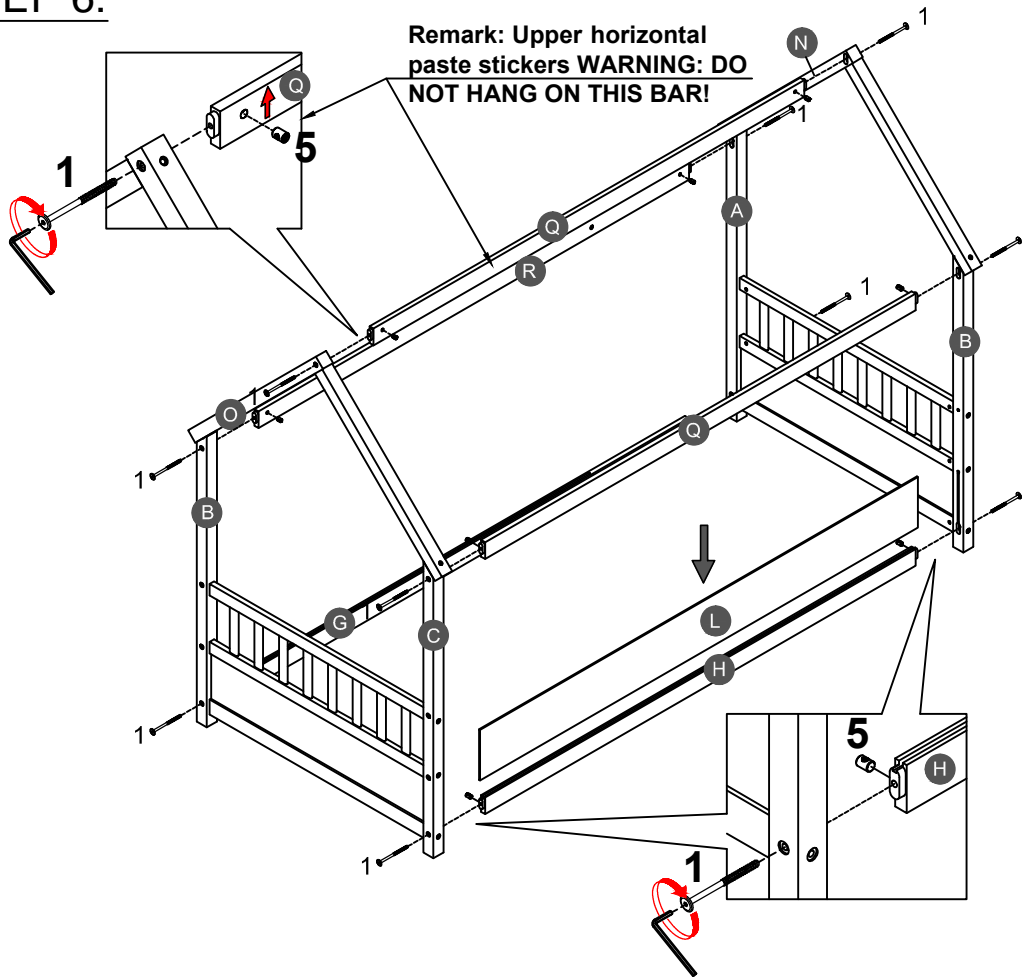
<b>2</b>	<b>4</b>	<b>5</b>
		
<b>6PCS</b>	<b>1PC</b>	<b>6PCS</b>

**STEP 5:**



<b>4</b>

<b>2PCS</b>

### STEP 6:



1



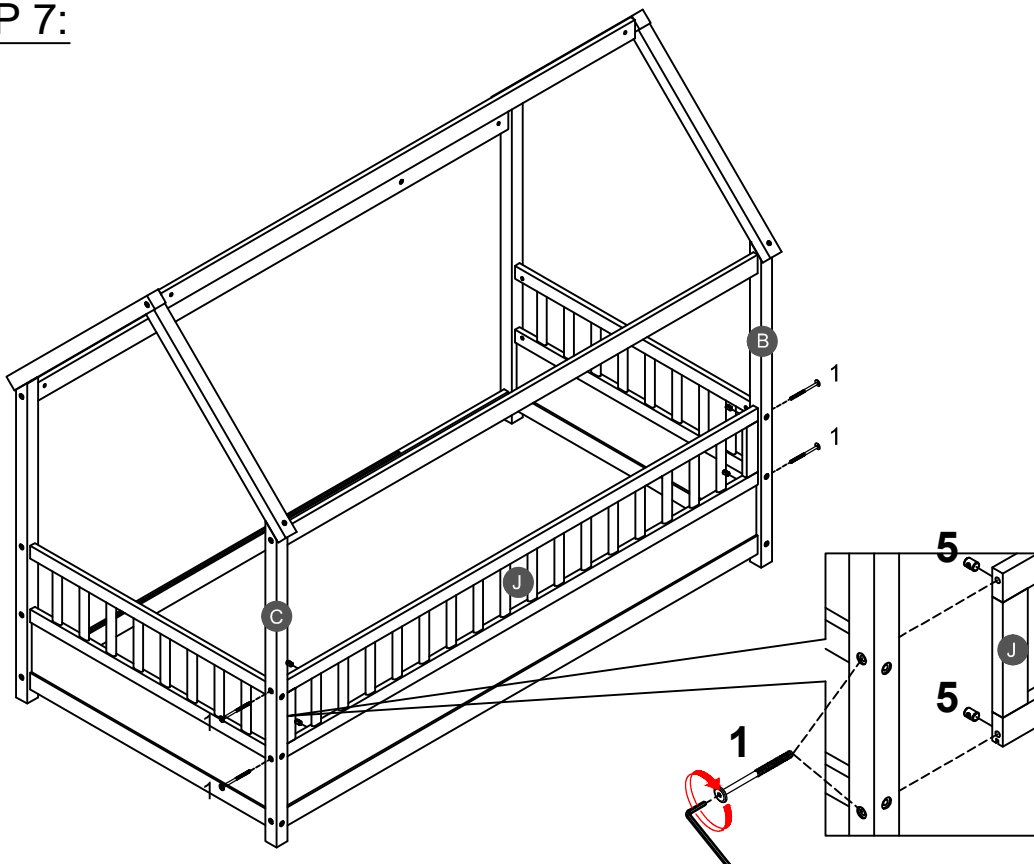
10PCS

5



10PCS

### STEP 7:



1



4PCS

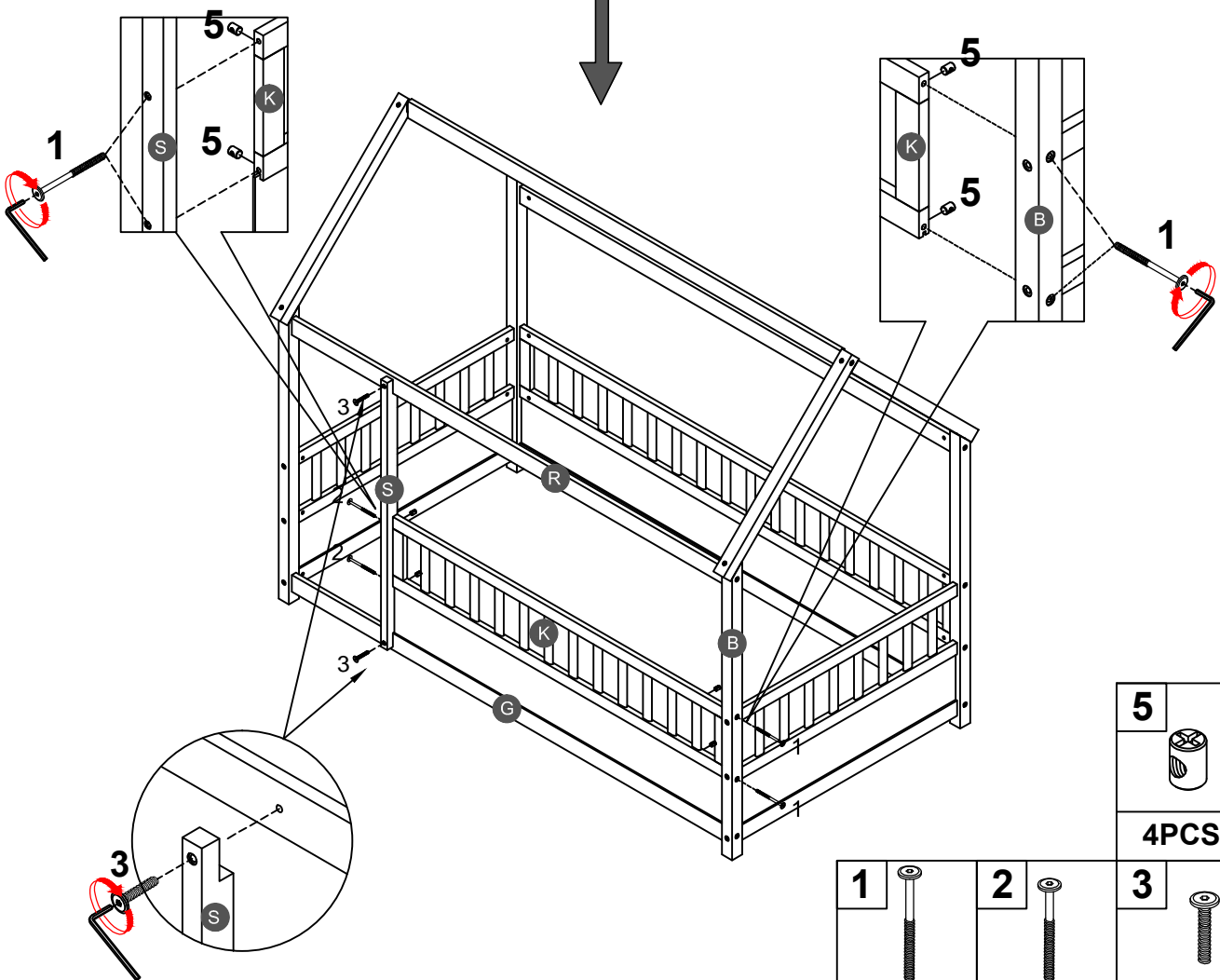
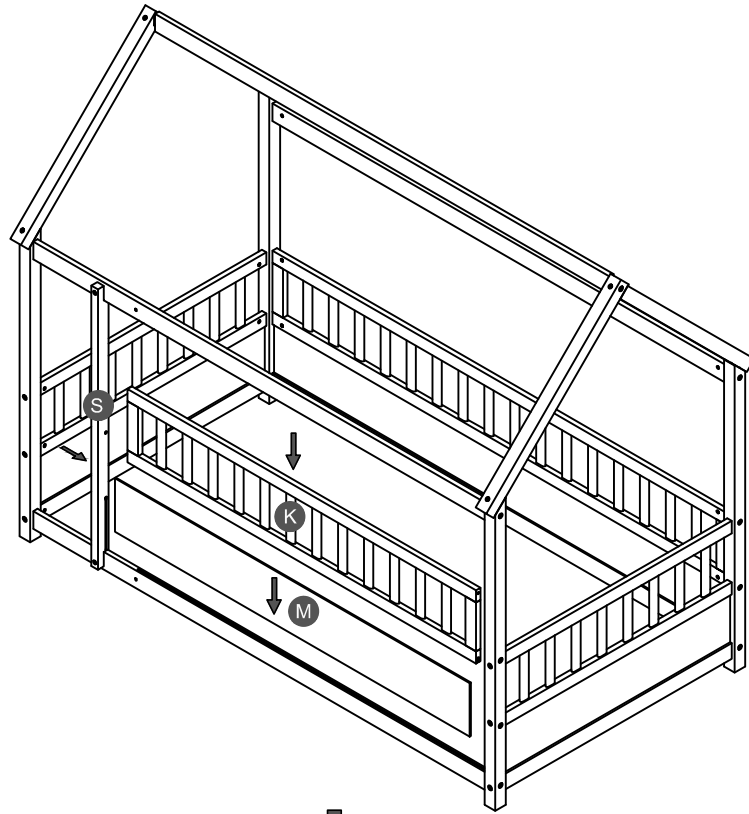
5



4PCS



**STEP 8:**



<b>5</b>	
<b>4PCS</b>	
<b>1</b>	
<b>2PCS</b>	
<b>2</b>	
<b>2PCS</b>	
<b>3</b>	
<b>2PCS</b>	