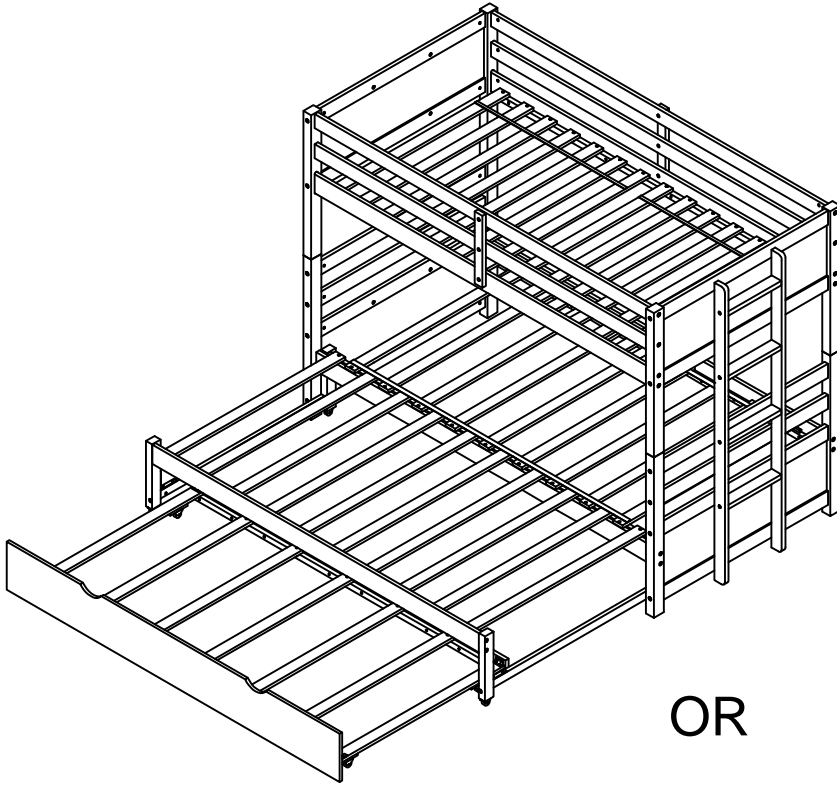
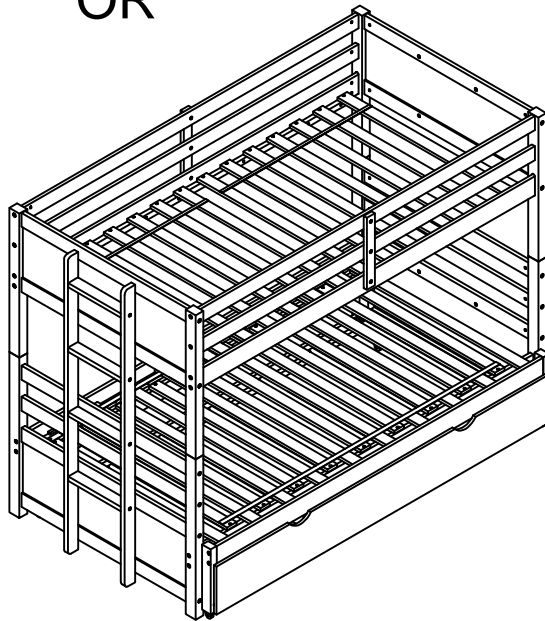


ASSEMBLY INSTRUCTIONS

TWIN/TWIN BUNK BED WITH TRUNDLE



OR



SWB005/SWB006



SAFETY WARNING



1. This bed is designed for use only mattress (es) meeting the following specifications on the upper bunk, and lower bunk:

Upper bunk (Bunk bed and tribed included)

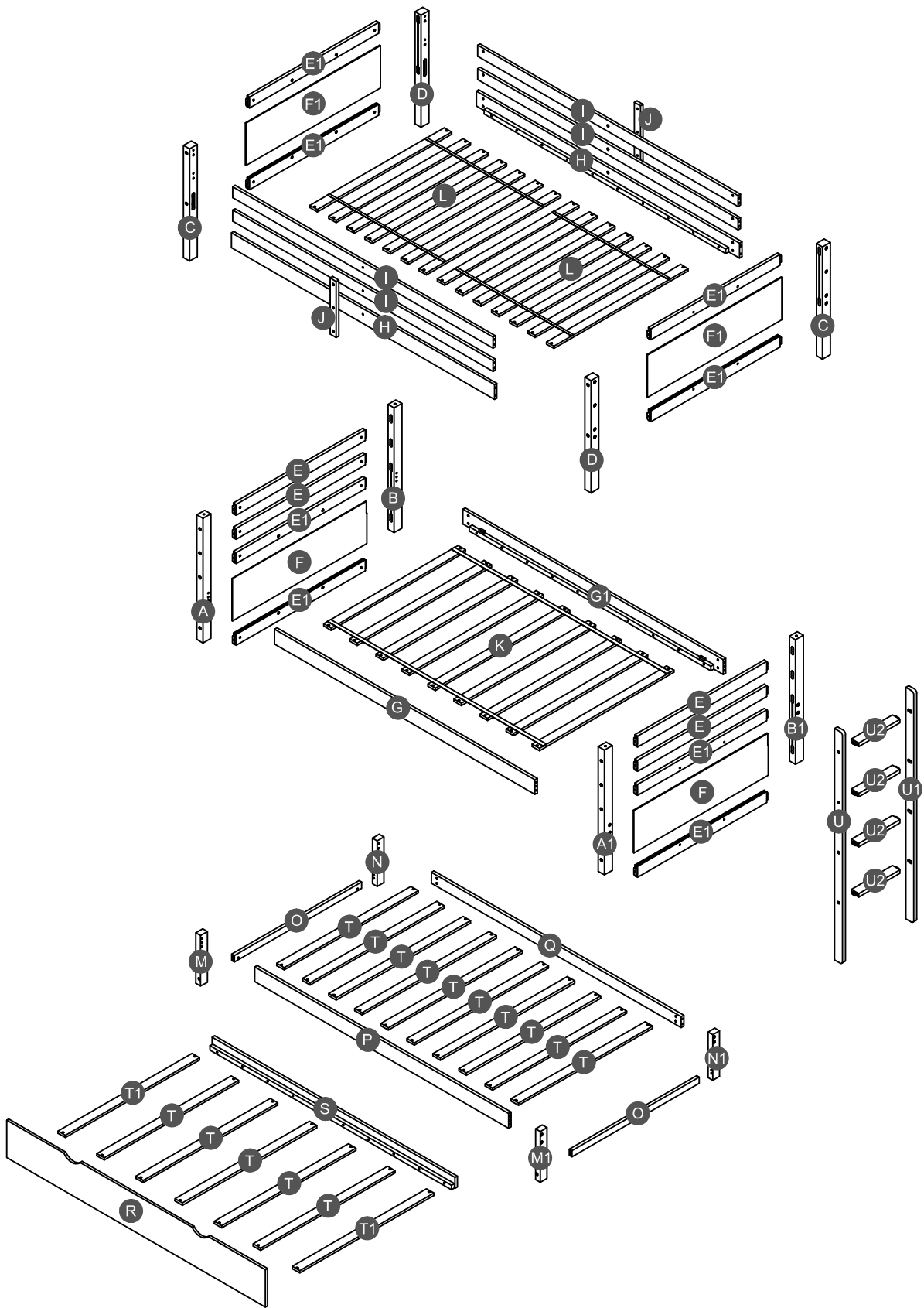
Bed type	Length	Width	Thickness
Twin Standard	74"-75"	38 1/2"	6"

Lower bunk

Bed type	Length	Width	Thickness
Twin Standard	74"-75"	38 1/2"	8"




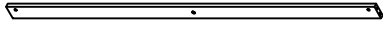
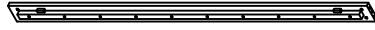




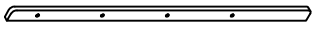
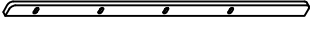
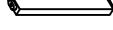
2. Replacement parts, including additional guardrails, maybe obtained from any of our dealers
3. Follow the information on the warnings appearing on the upper bunk bed end structure and on the carton. Do not remove warning label from bed.
4. Always use the recommended size mattresses or mattress supports, or both, to help prevent the likelihood of entrapment or falls.
5. Surface of mattress must be at least 5" (127mm) below the upper edge of guardrails.
6. Do not allow children under 6 years of age to use the upper bunk.
7. Periodically check and ensure that the guardrail, ladder, and other components are in their proper position, free from damage, and that all connectors are tight.
8. Do not allow horseplay on or under the bed and prohibit jumping on the bed.
9. Always use the ladder for entering and leaving the upper bunk.
10. Do not use substitute part. Contact the manufacture or dealer for replacement part.
11. Use of a night light may provide added safety precaution for a child using the upper bunk.
12. Always use guardrails on both long sides of the upper bunk. If the bunk bed will be placed next to the wall, the guardrail that runs the full length of the bed should be placed against the wall to prevent entrapment between the bed and wall.
13. The use of water or sleep flotation mattresses is prohibited.
14. STRANGULATION HAZARD - Never attach or hang items to any part of the bunk bed that are not designed for use with the bed; for example, but not limited to, hook, belts and jump ropes.
15. Keep these instruction for future reference.
16. Prohibit more than one person on upper bunk
17. We recommend assembling your bunk bed on the shipping carton to protect your floor or carpet.
18. Be certain all staples are out of the box before beginning assembly on the shipping carton.

Detail View



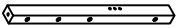
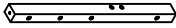
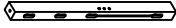
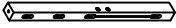
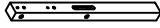

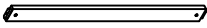
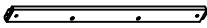
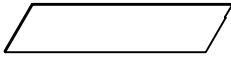
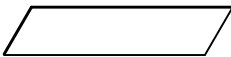
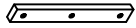
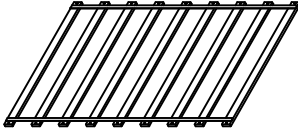
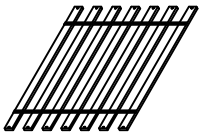
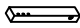
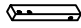

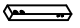
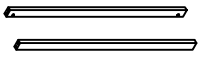
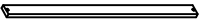
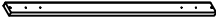
Part List

SWB005/SWB006 (1-2)

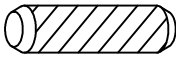
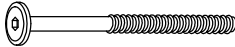
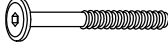
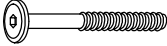





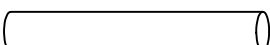
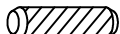
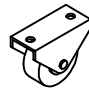
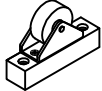


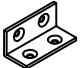
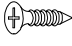
<p>G</p>  <p>Lower side rail (Front) - 1pc</p>	<p>G1</p>  <p>Lower side rail (Back) - 1pc</p>	<p>H</p>  <p>Upper side rail - 2pcs</p>
<p>I</p>  <p>Guard rail - 4pcs</p>	<p>P</p>  <p>Front side rail panel - 1pc</p>	<p>Q</p>  <p>Back side rail panel - 1pc</p>
<p>R</p>  <p>Trundle front panel - 1pc</p>	<p>S</p>  <p>Trundle back panel - 1pc</p>	<p>T</p>  <p>Slats - 10pcs</p>
<p>U</p>  <p>Ladder (Left) - 1pc</p>	<p>U1</p>  <p>Ladder (Right) - 1pc</p>	<p>U2</p>  <p>Step ladder - 4pcs</p>

Part List

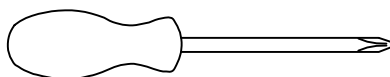
SWB005/SWB006 (2-2) + Hardware inside

<p>A</p>  <p>Lower leg (Left Front) - 1pc</p>	<p>A1</p>  <p>Lower leg (Right Front) - 1pc</p>	<p>B</p>  <p>Lower leg (Left Back) - 1pc</p>
<p>B1</p>  <p>Lower leg (Right Back) - 1pc</p>	<p>C</p>  <p>Upper leg (Left Front/Right Back) - 2pcs</p>	<p>D</p>  <p>Upper leg (Right Front /Left Back) - 2pcs</p>
<p>E</p>  <p>Horizontal bar - 4pcs</p>	<p>E1</p>  <p>Horizontal bar - 8pcs</p>	<p>F</p>  <p>Lower side panel - 2pcs</p>
<p>F1</p>  <p>Upper side panel - 2pcs</p>	<p>J</p>  <p>Vertical guard rail - 2pcs</p>	<p>K</p>  <p>Slats -1set =9pcs</p>
<p>L</p>  <p>Slats -2set (1set=7pcs)</p>	<p>M</p>  <p>Leg (Left Front) - 1pc</p>	<p>M1</p>  <p>Leg (Right Front) - 1pc</p>
<p>N</p>  <p>Leg (Left Back) - 1pc</p>	<p>N1</p>  <p>Leg (Right Back) - 1pc</p>	<p>O</p>  <p>Horizontal (L/R) - 2pcs</p>
<p>T</p>  <p>Slats - 5pcs</p>	<p>T1</p>  <p>Trundle Slats - 2pcs</p>	

Hardware List SWB005/SWB006 (2-2)

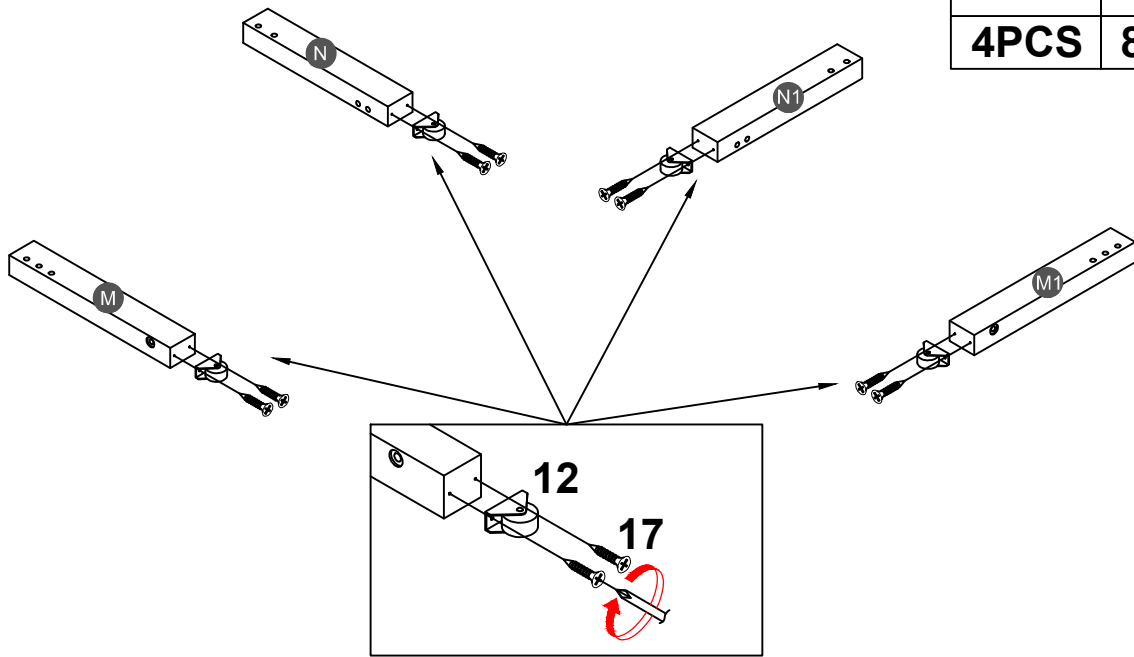
1  Ø10*40mm Wood dowel (8pcs)	2  (Ø15)1/4"*100mm Hex-Head bolts (52pcs)	3  (Ø15)1/4"*80mm Hex-Head bolts (8pcs)
4  (Ø12)1/4"*60mm Hex-Head bolts (8pcs)	5  (Ø12)1/4"*40mm Hex-Head bolts (8pcs)	6  (Ø12)1/4"*30mm Hex-Head bolts (6pcs)
7  (1/4")4.5*58mm Allen key (1pc)	8  1/4"*15 (9.5mm) Horizontal-Hole bolts(68pcs)	9  Ø4*30mm Wood screws (88pcs)
10  Ø9*90mm Metal connector (4pcs)	11  Ø8*30mm Wood dowel (10pcs)	12  45*20*35 mm Wheels (4pcs)
13  100*63*20mm Wheels (4pcs)	14  95*95*18*3mm Metal bracket (4pcs)	15  Ø3.5*15mm Wood screws (24pcs)
16  40*18*18*2mm Metal bracket (2pcs)	17  Ø3.5*19mm Wood screws (8pcs)	

ASSEMBLY TOOLS REQUIRED (NOT INCLUDED)



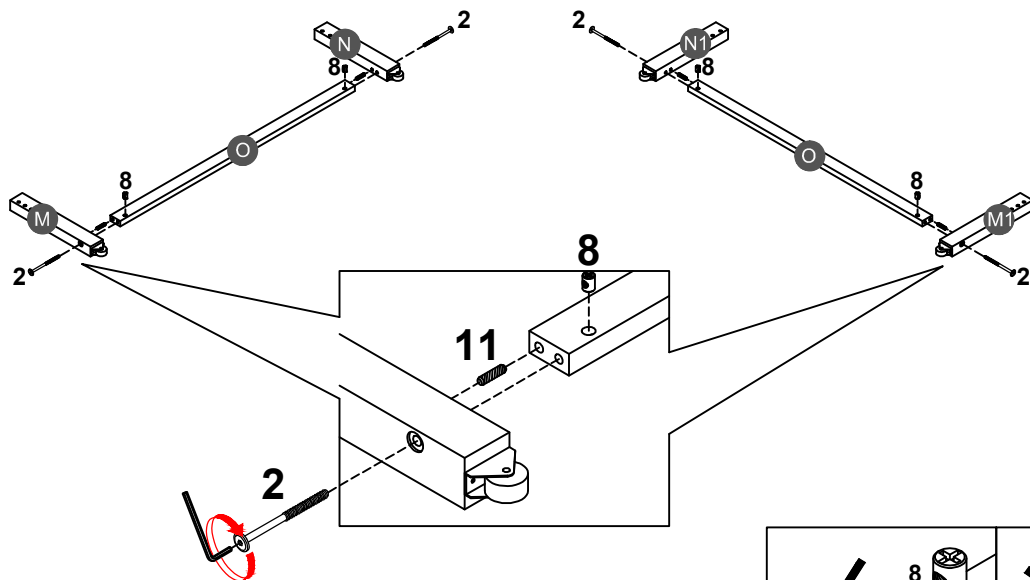
PLEASE BE CAREFUL DO NOT DAMAGE THE HOLE POSITION WHEN YOU USE POWER TOOLS !

STEP 1:



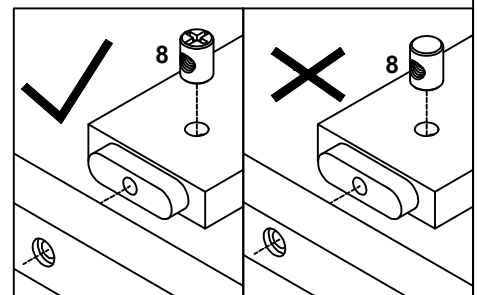
12	17
4PCS	8PCS

STEP 2:






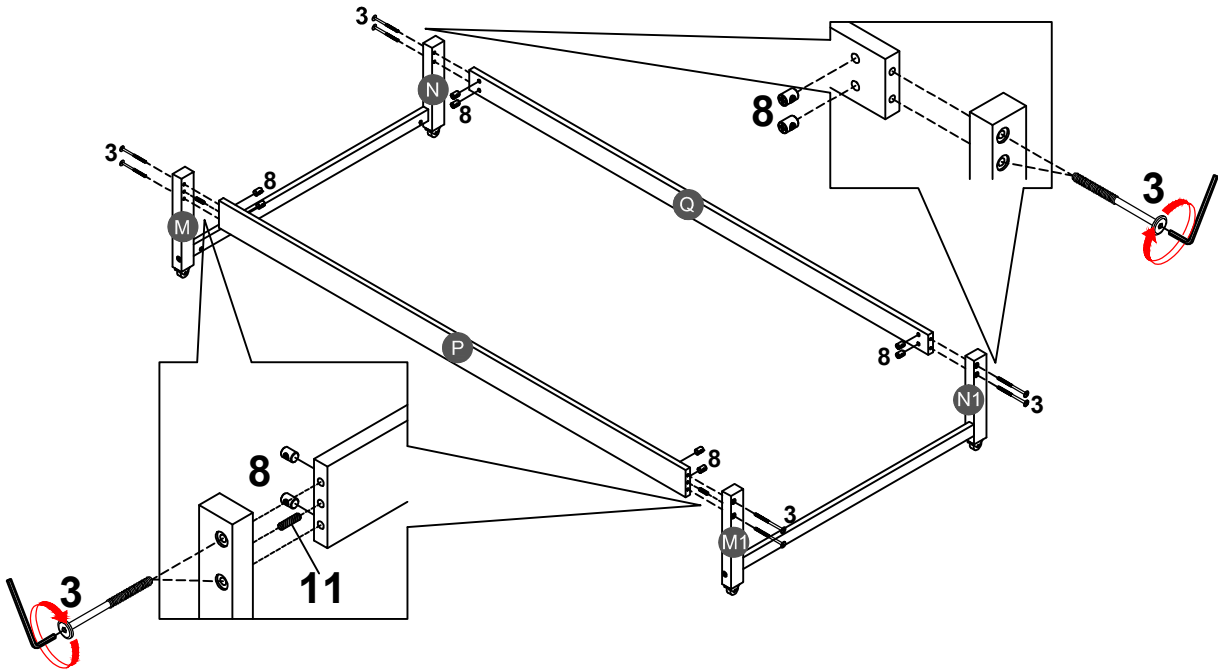
2	8	11
4PCS	4PCS	4PCS

Note: Part 8 will face up with the "x" mark on it, otherwise it cannot be tightened

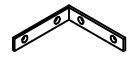



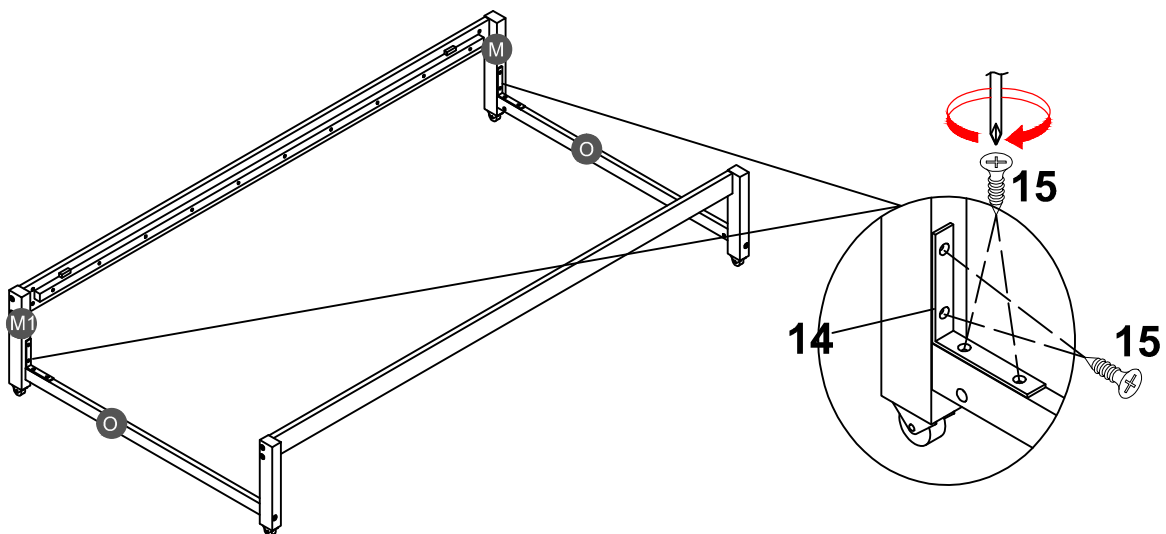
STEP 3:

11 	3 	8 
2PCS	8PCS	8PCS

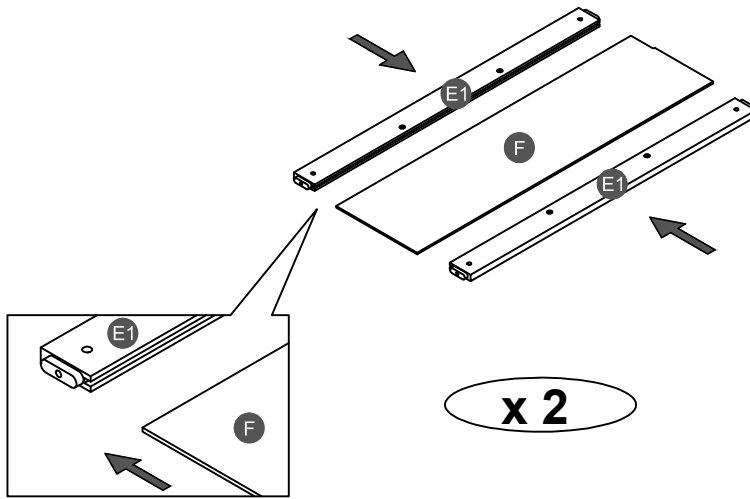


STEP 4:



14 	15 
2PCS	8PCS

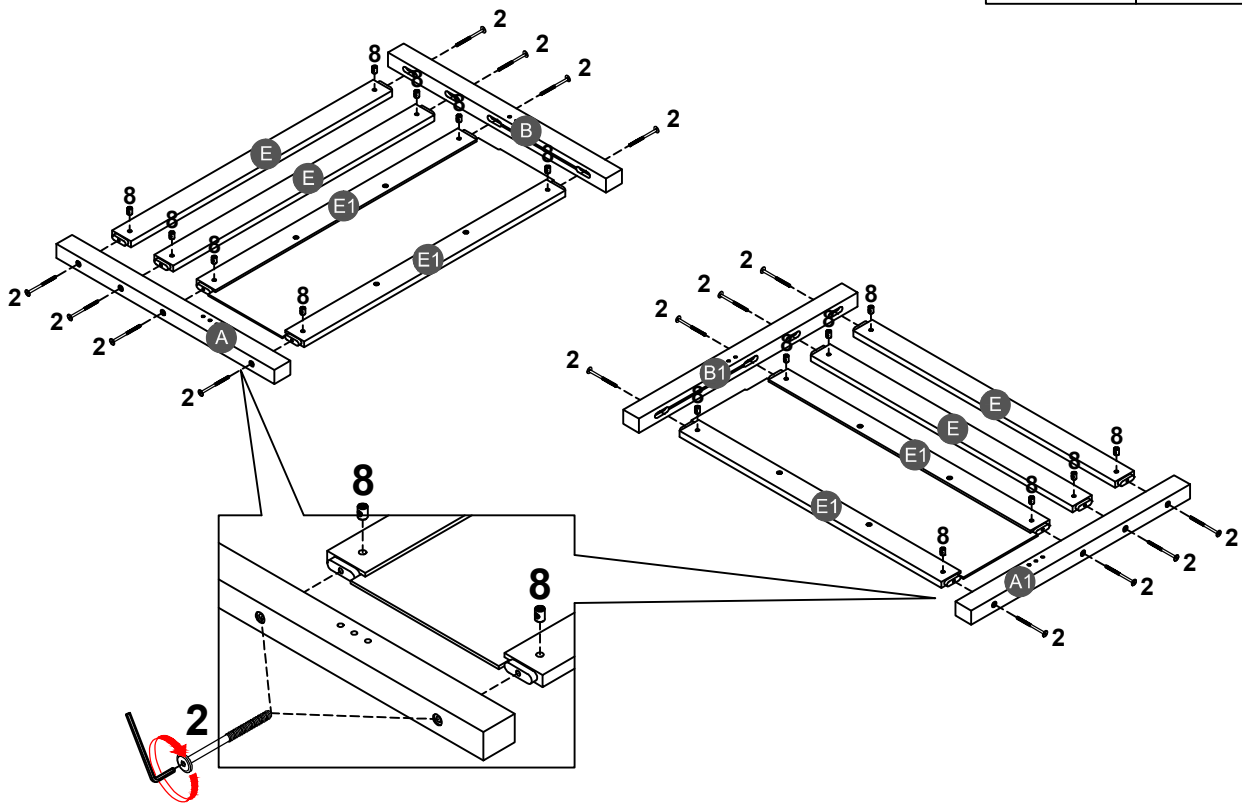


STEP 5:

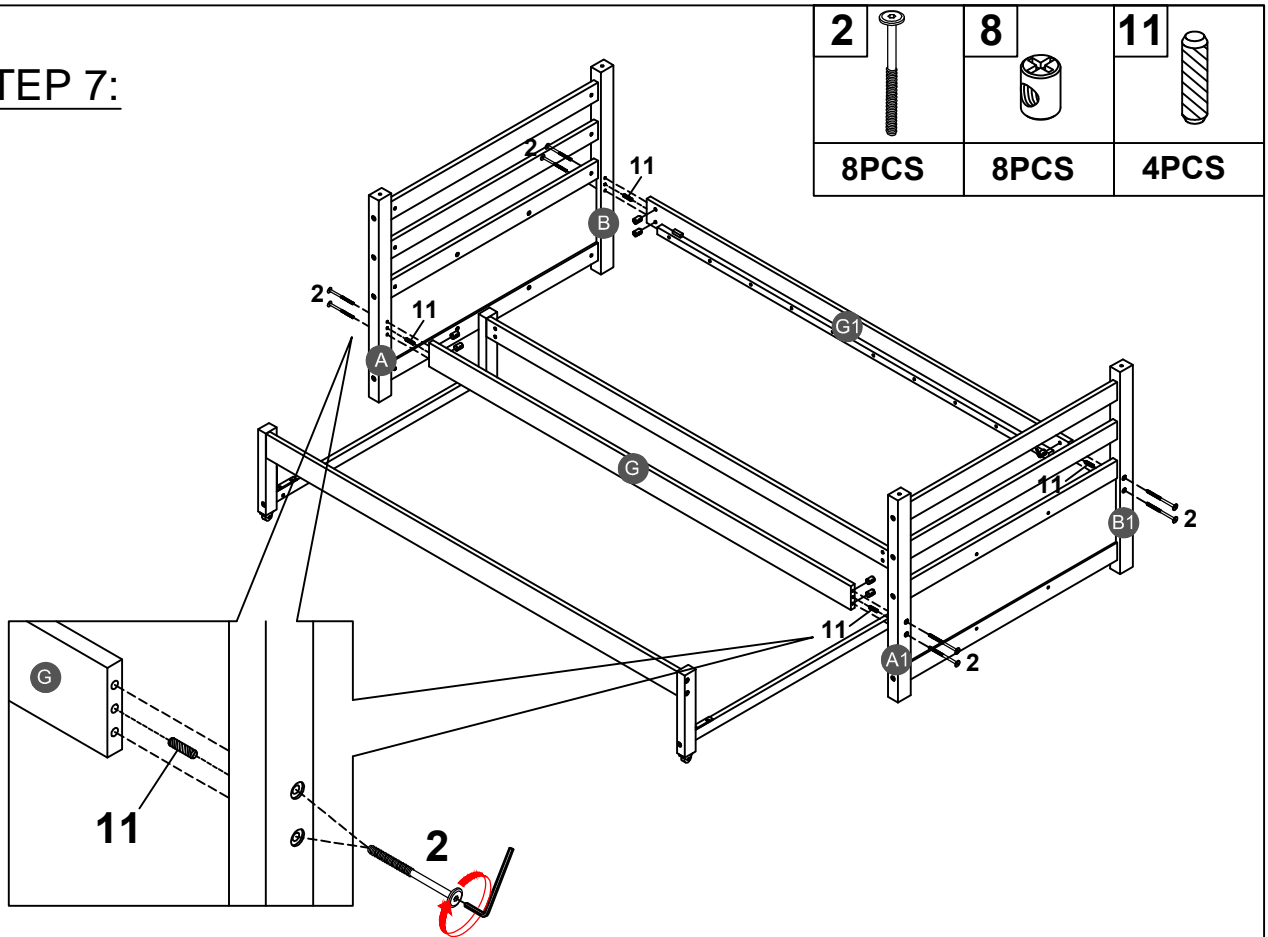


STEP 6:

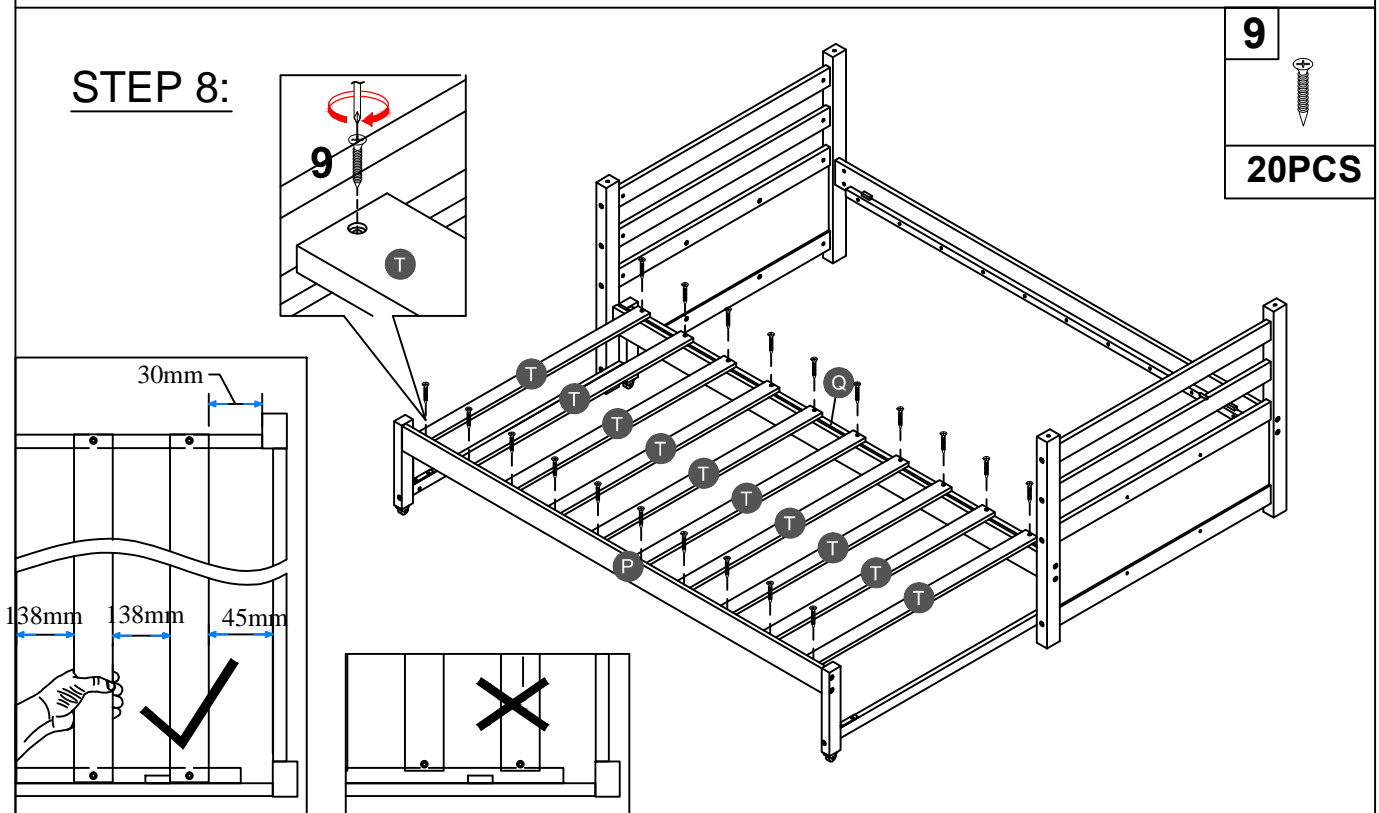
2		8	
16PCS		16PCS	



STEP 7:

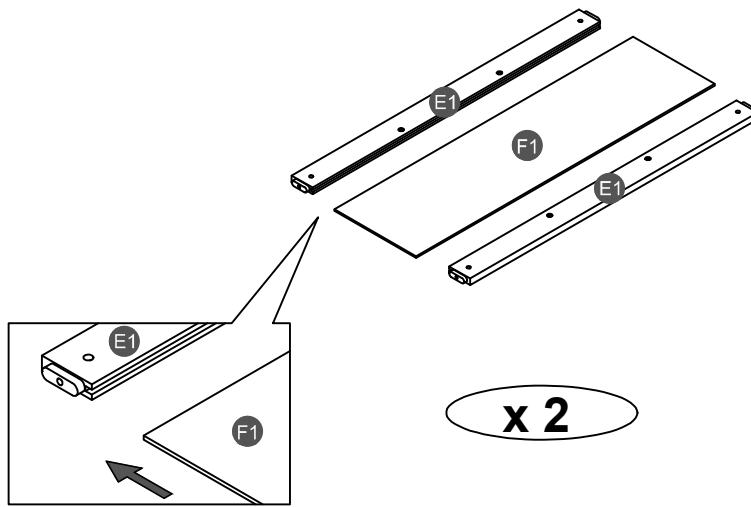


STEP 8:

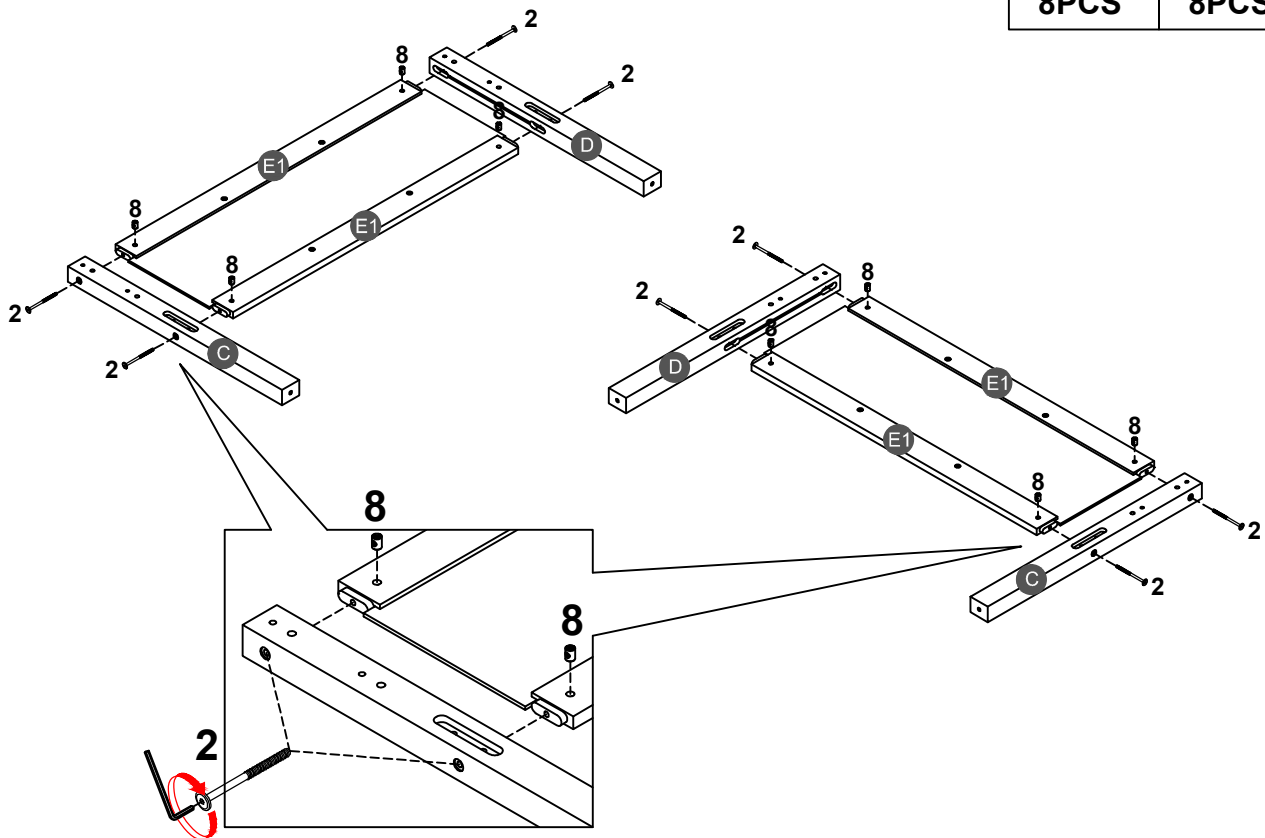


Note: Do not lock the screws of the bed slats to the outermost edge of the bed slats, you need to leave a certain space at the edges, otherwise it will cause the board to break.
Do not lock the bed slats on the edge of the wood, please hold firmly before screwing, hold it in place with one hand, then lock the screw.




STEP 9:

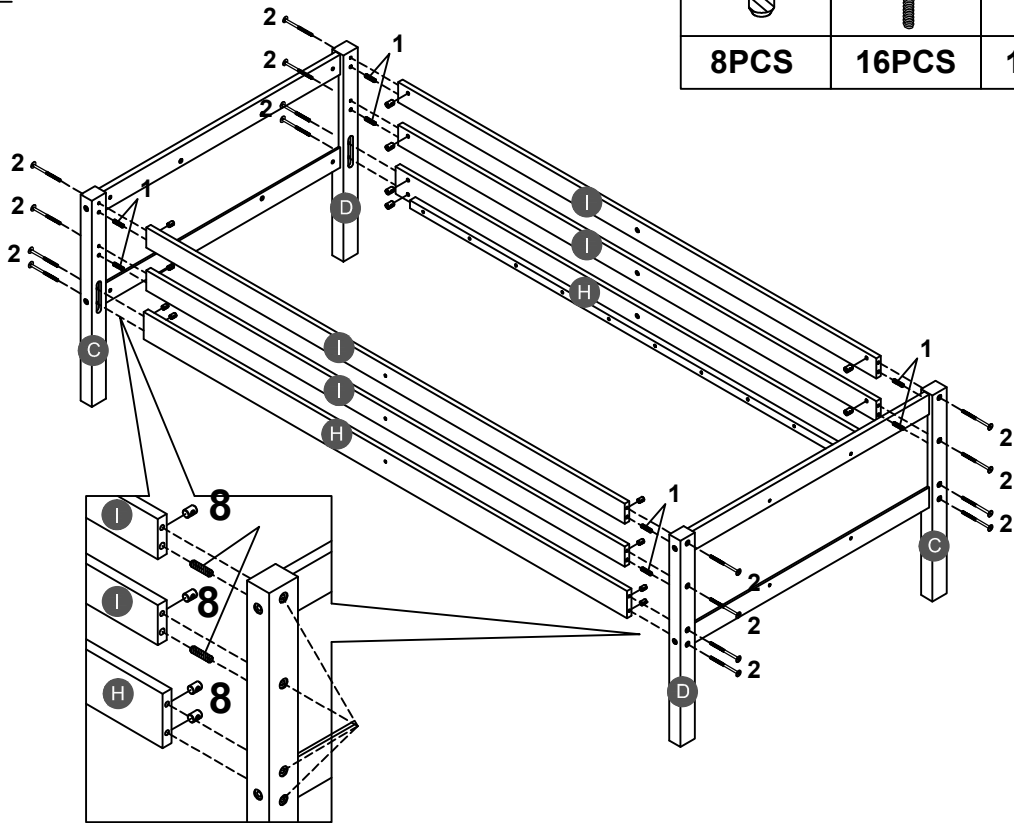


STEP 10:




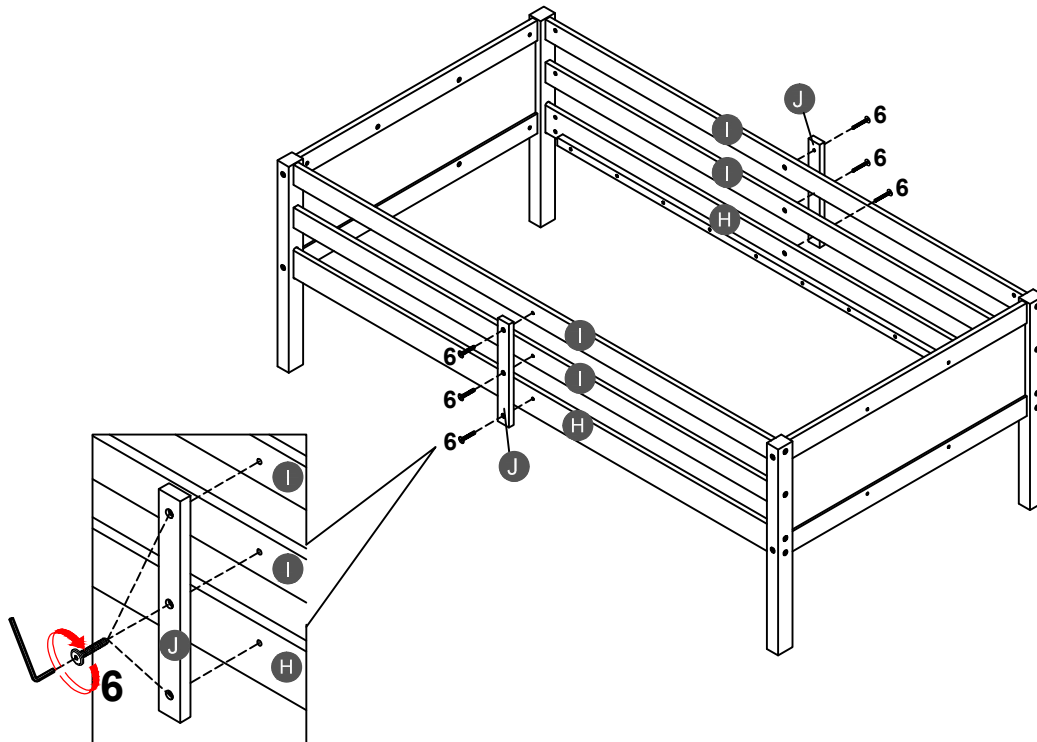
STEP 11:

1		2		8	
8PCS		16PCS		16PCS	

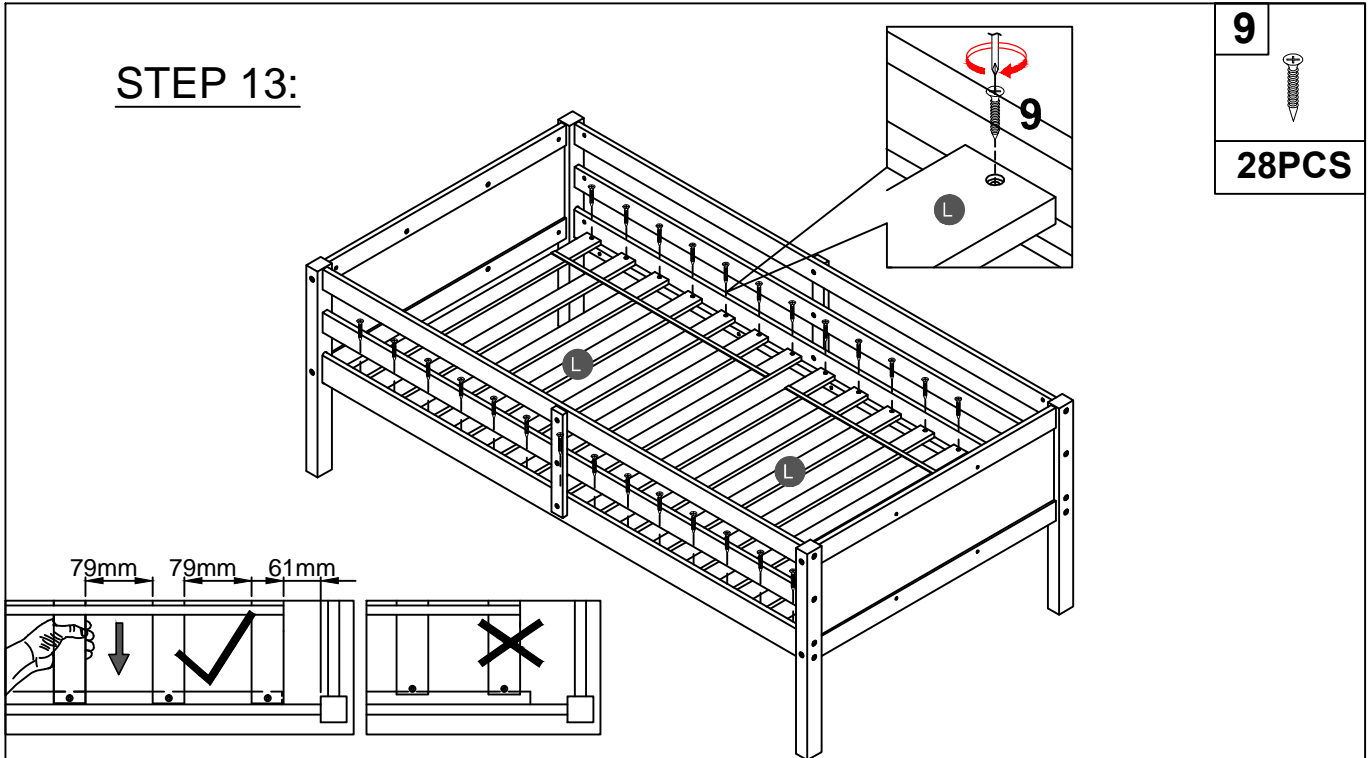


STEP 12:

6	
6PCS	

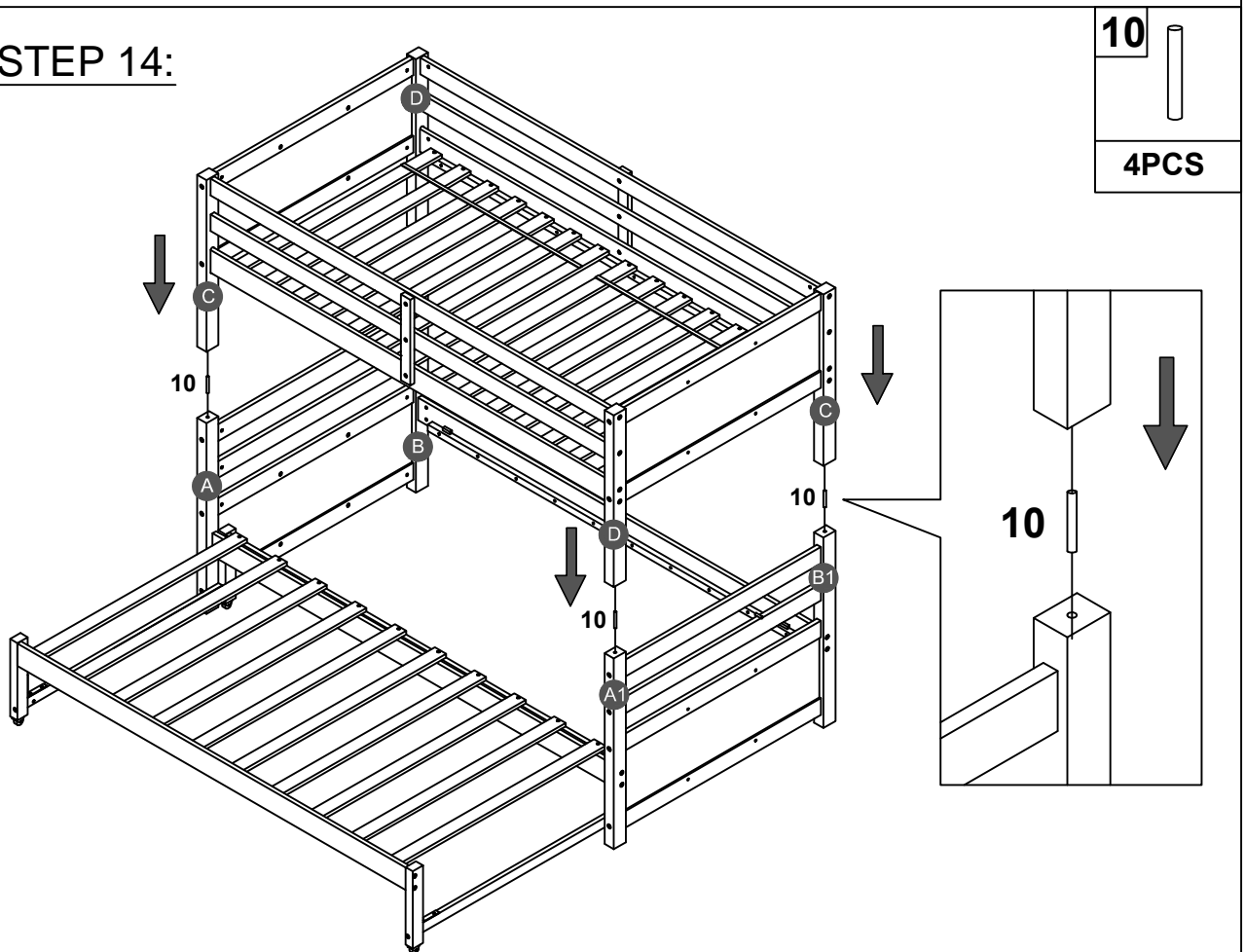


STEP 13:





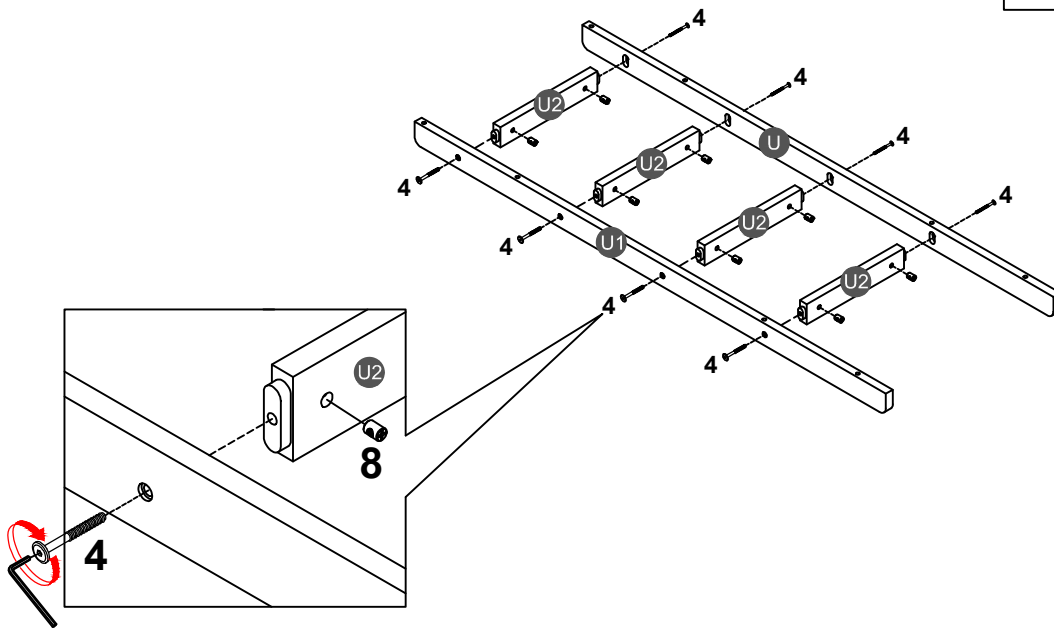
Note: Do not lock the screws of the bed slats to the outermost edge of the bed slats, you need to leave a certain space at the edges, otherwise it will cause the board to break.
Do not lock the bed slats on the edge of the wood, please hold firmly before screwing, hold it in place with one hand, then lock the screw.

STEP 14:




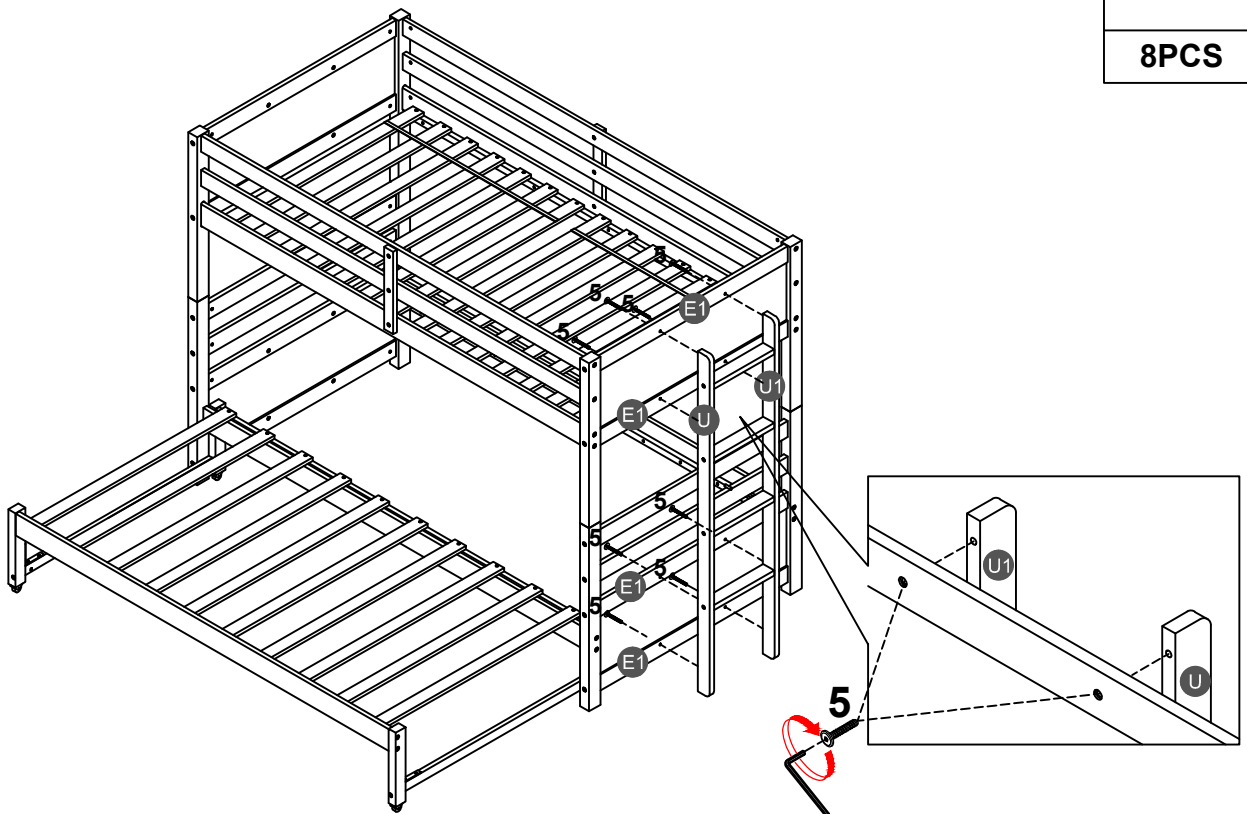
STEP 15:

4		8	
8PCS		8PCS	




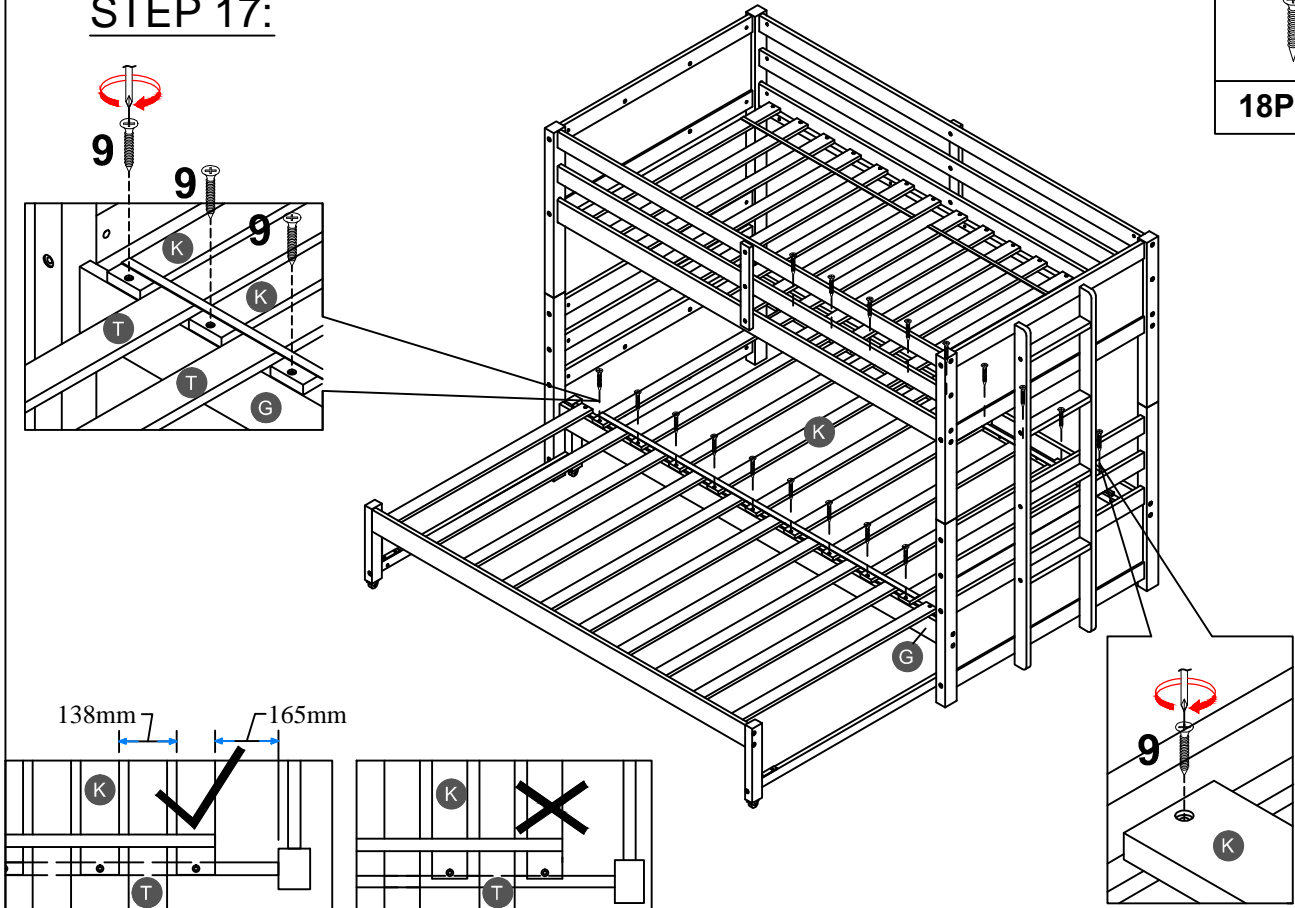
STEP 16:

5	
8PCS	




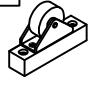
STEP 17:

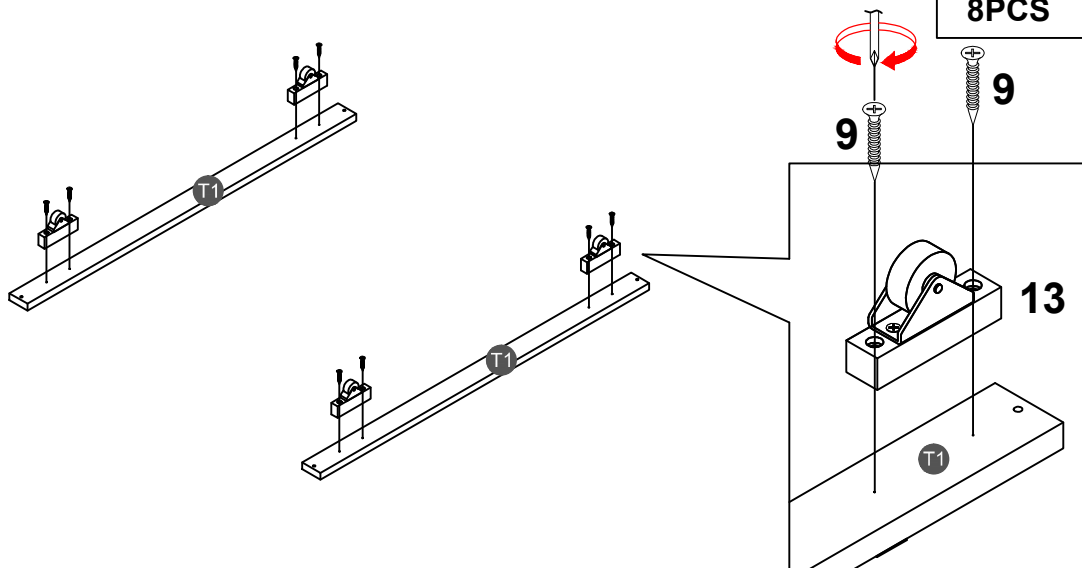
9	
18PCS	



Note: Do not lock the screws of the bed slats to the outermost edge of the bed slats, you need to leave a certain space at the edges, otherwise it will cause the board to break.
Do not lock the bed slats on the edge of the wood, please hold firmly before screwing, hold it in place with one hand, then lock the screw.

STEP 18:

9		13	
8PCS		4PCS	

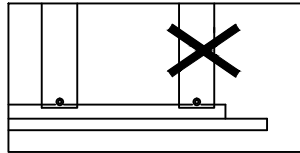
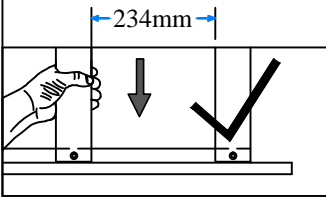
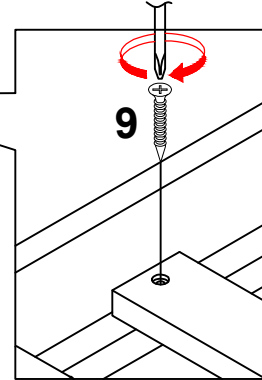
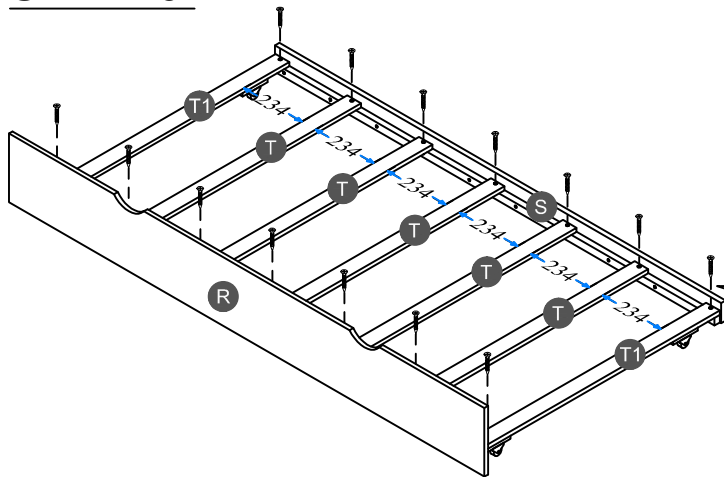


STEP 19:

9



14PCS



Note: Do not lock the screws of the bed slats to the outermost edge of the bed slats, you need to leave a certain space at the edges, otherwise it will cause the board to break.

Do not lock the bed slats on the edge of the wood, please hold firmly before screwing, hold it in place with one hand, then lock the screw.

STEP 20:

14

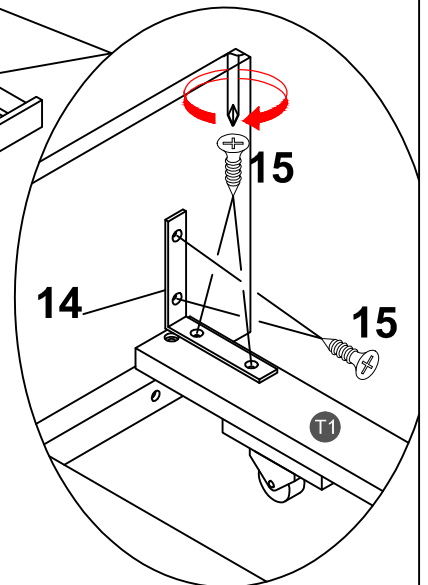
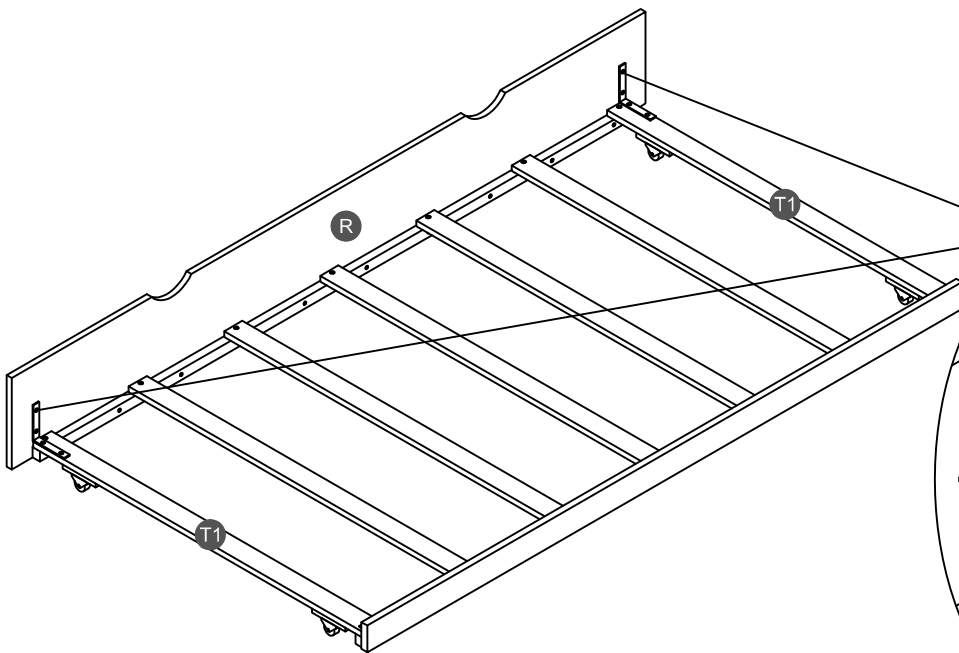


2PCS

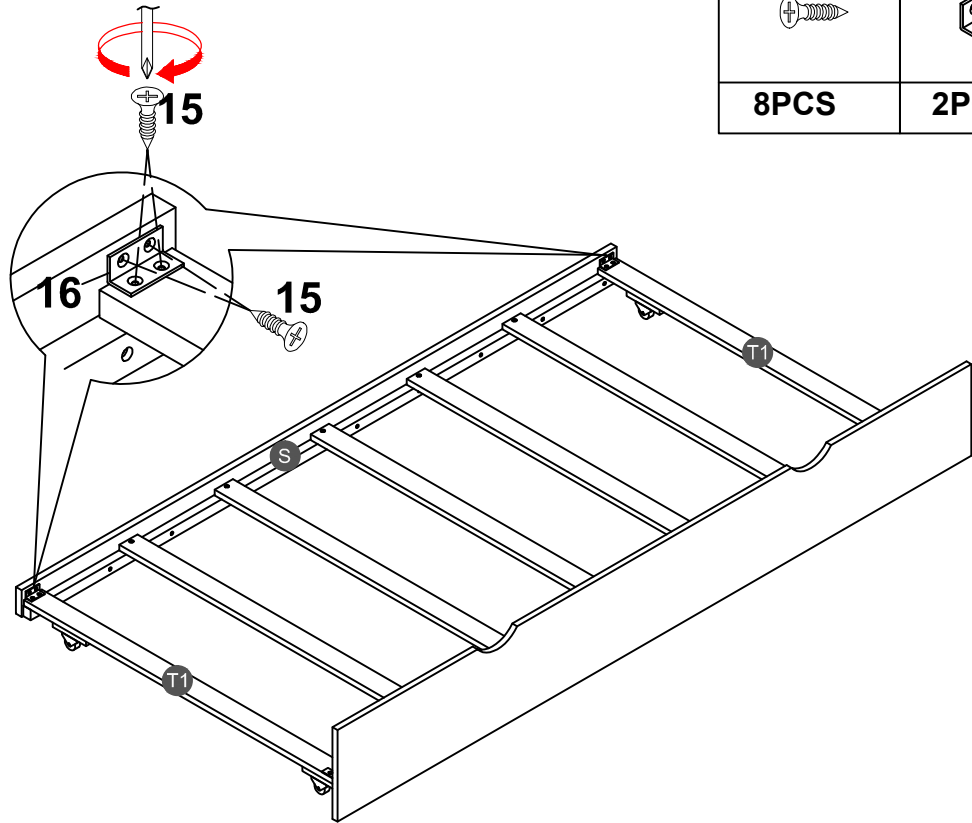
15



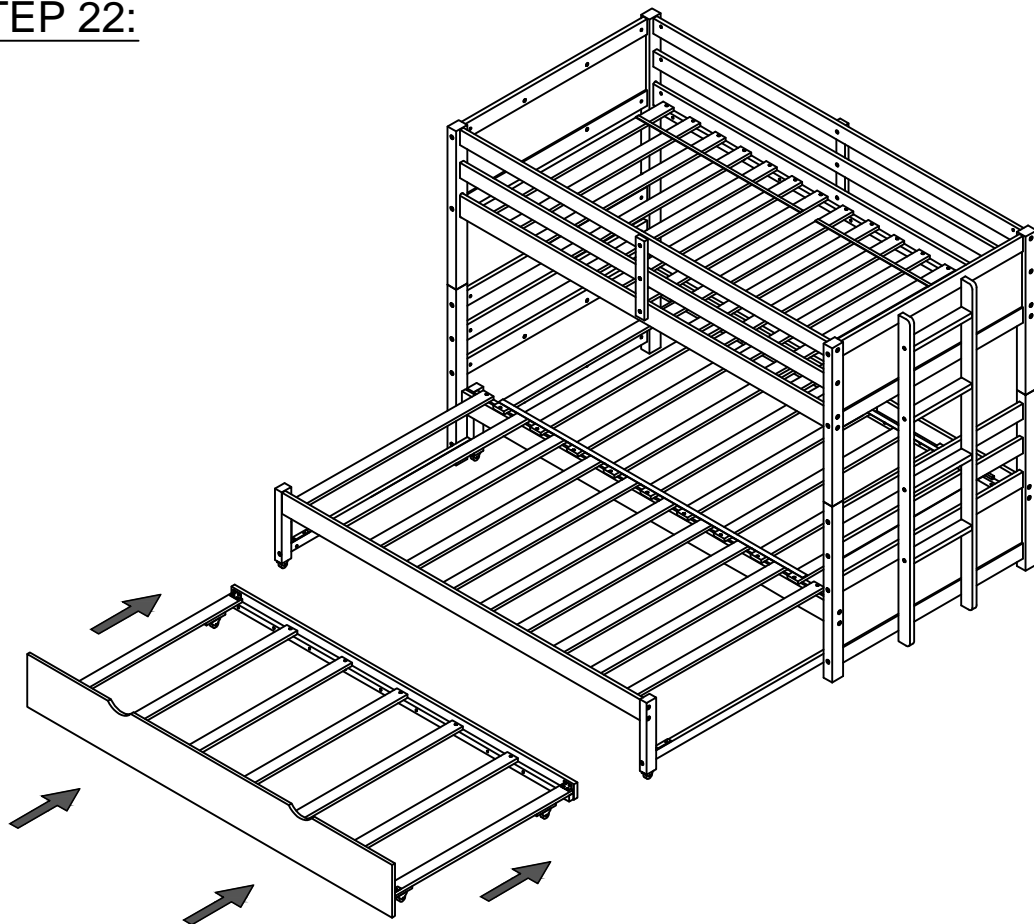
8PCS



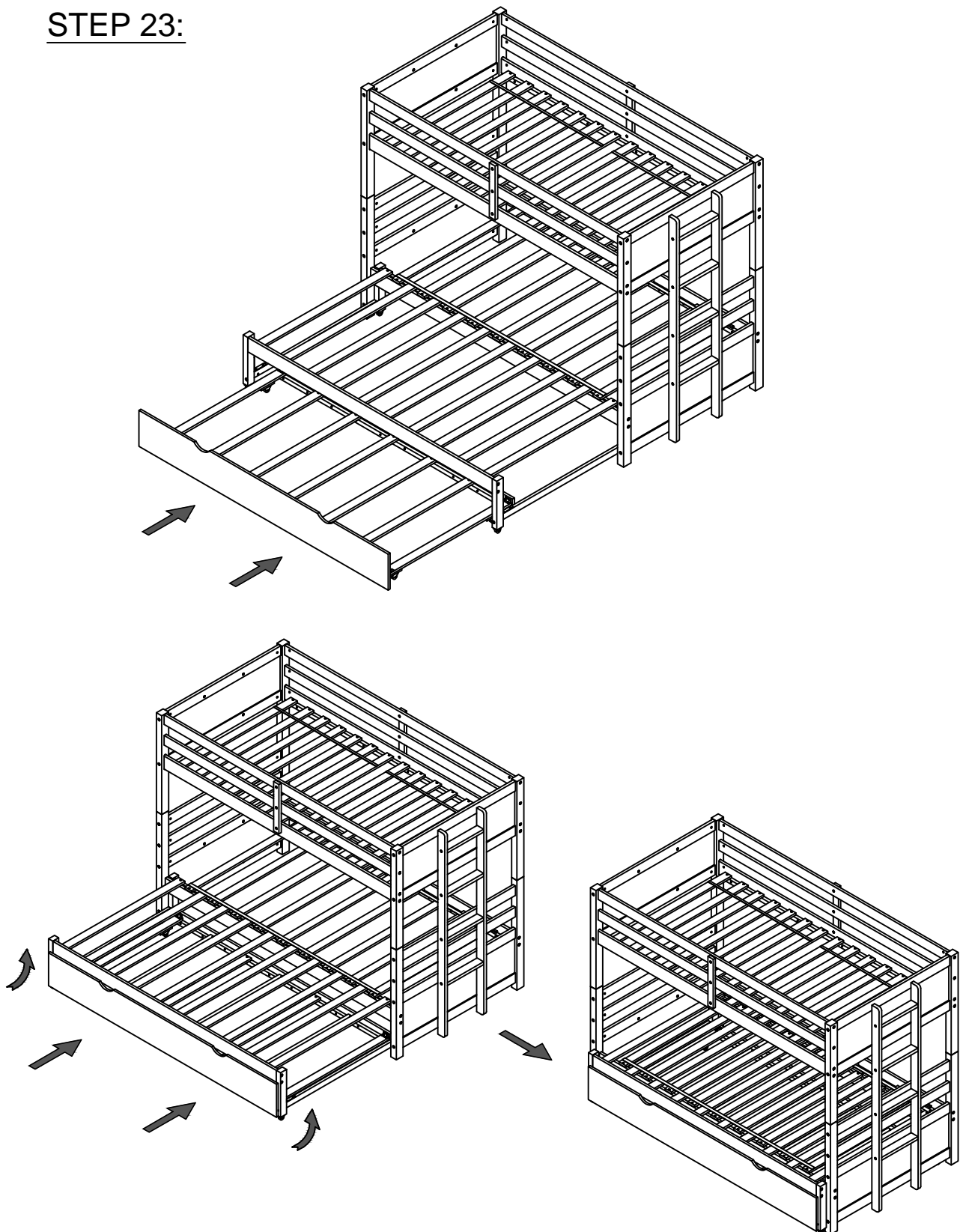
STEP 21:



STEP 22:



STEP 23:



Remark: When opening or closing the pull bed,
Please lift the pull bed slightly before opening or closing it.

Make sure to tighten all the screws of the bed.