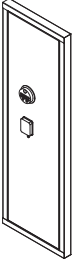
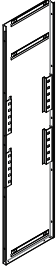
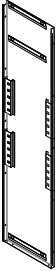
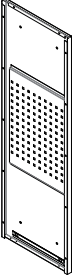
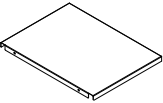
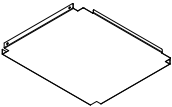
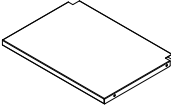
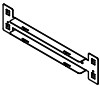
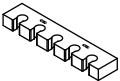

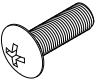
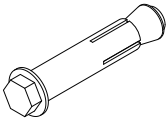


GUN SAFE

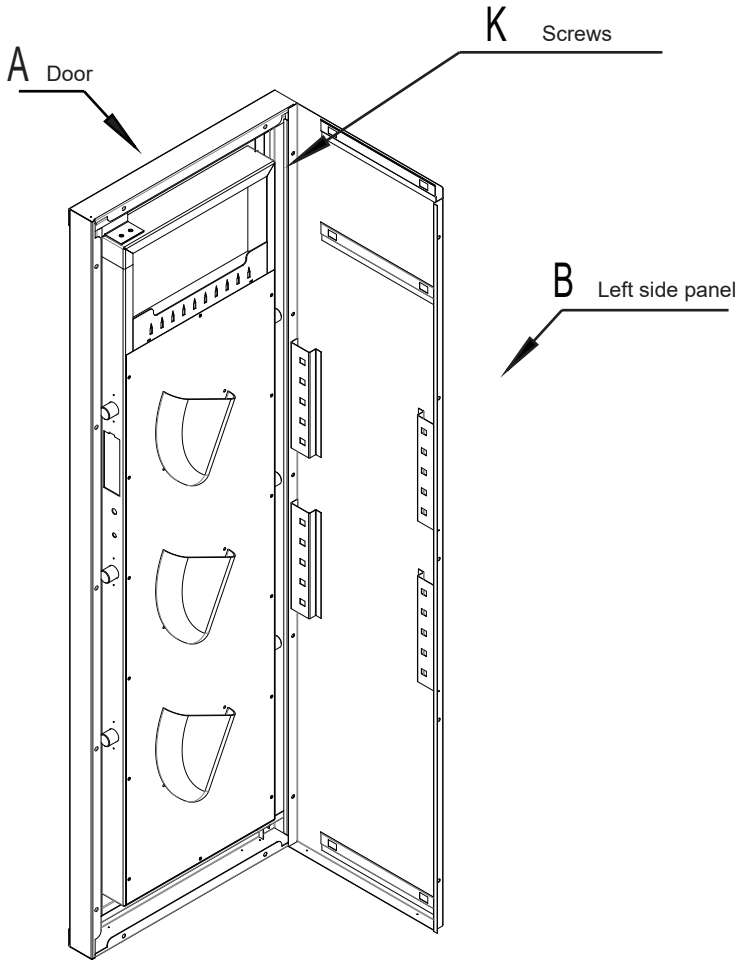
Contents:

Before getting started, ensure the package contains the following components

			
<p>A Doorx1</p>	<p>B Left side panel x1</p>	<p>C Right side panelx1</p>	<p>D Back panelx1</p>
			
<p>E Top panelx1</p>	<p>F Bottom panelx1</p>	<p>G Shelf panelx1</p>	<p>H Gun bracket connectorx3</p>
			
<p>I Gun bracketx3</p>	<p>J Bottom plate fastenersx4</p>	<p>K Screwsx24</p>	<p>L Expansion boltx4</p>

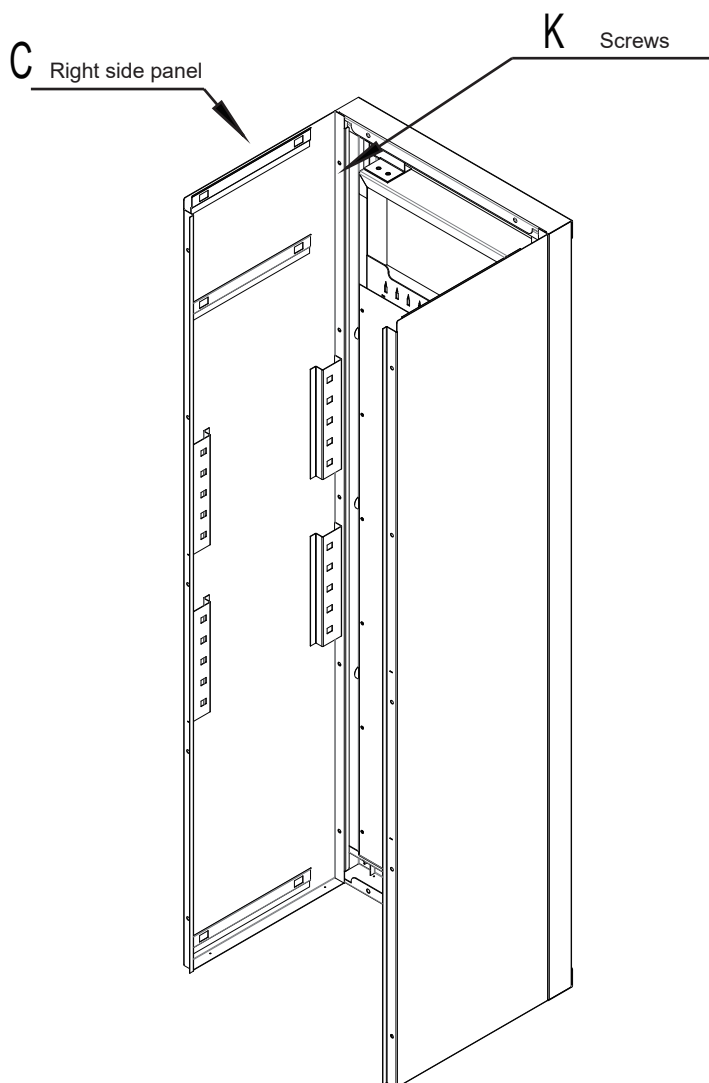
STEP :1

Secure the door A to the left side panel B using screws



STEP :2

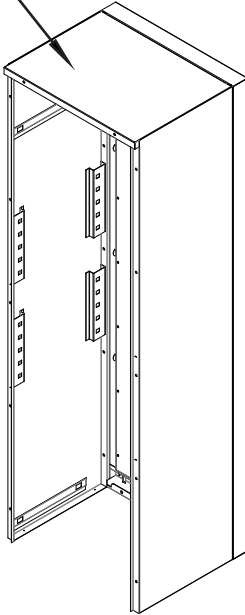
Secure the door A to the right side panel C using screws



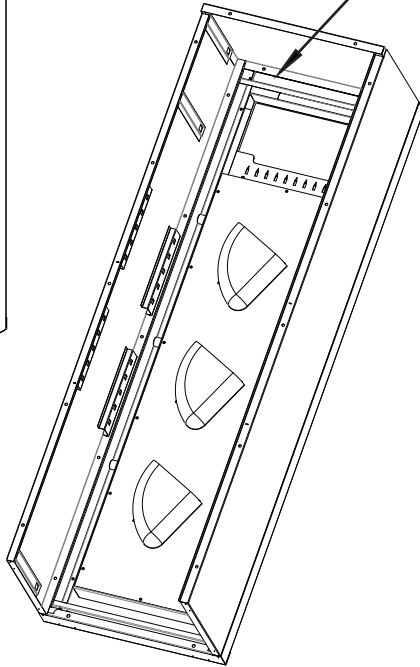
STEP :3

Secure the top panel E using screws K

E Top panel

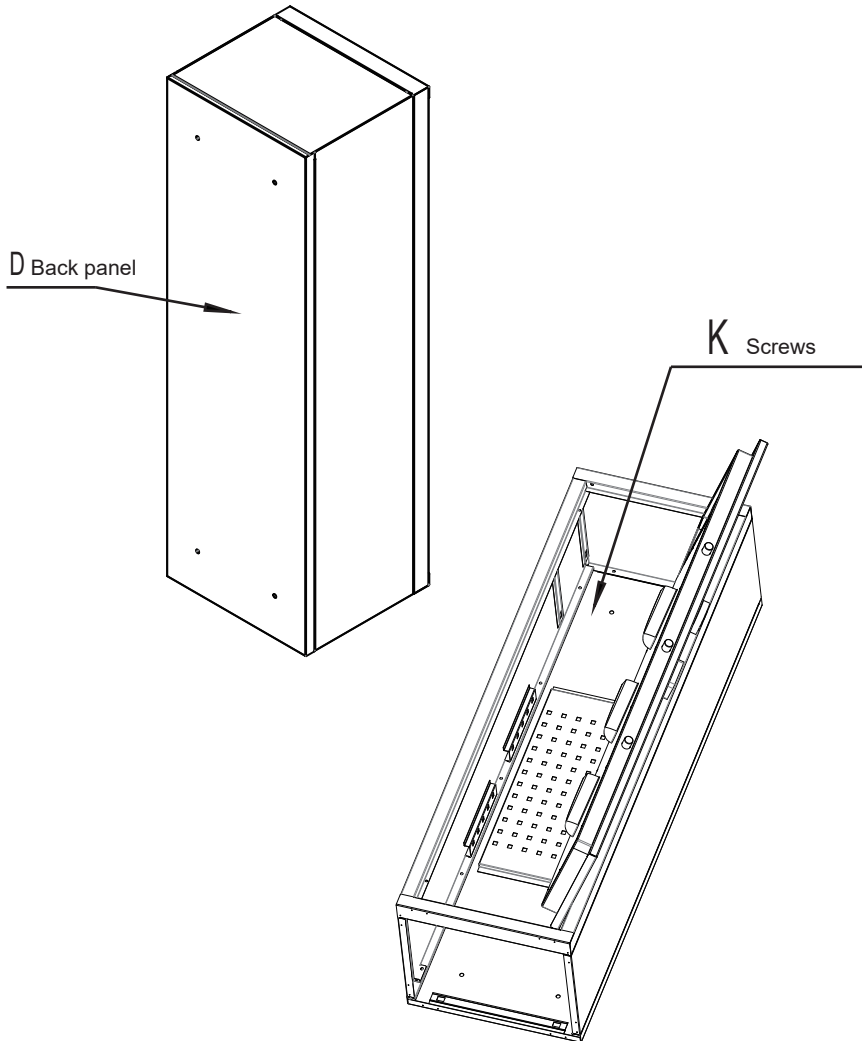


K Screws



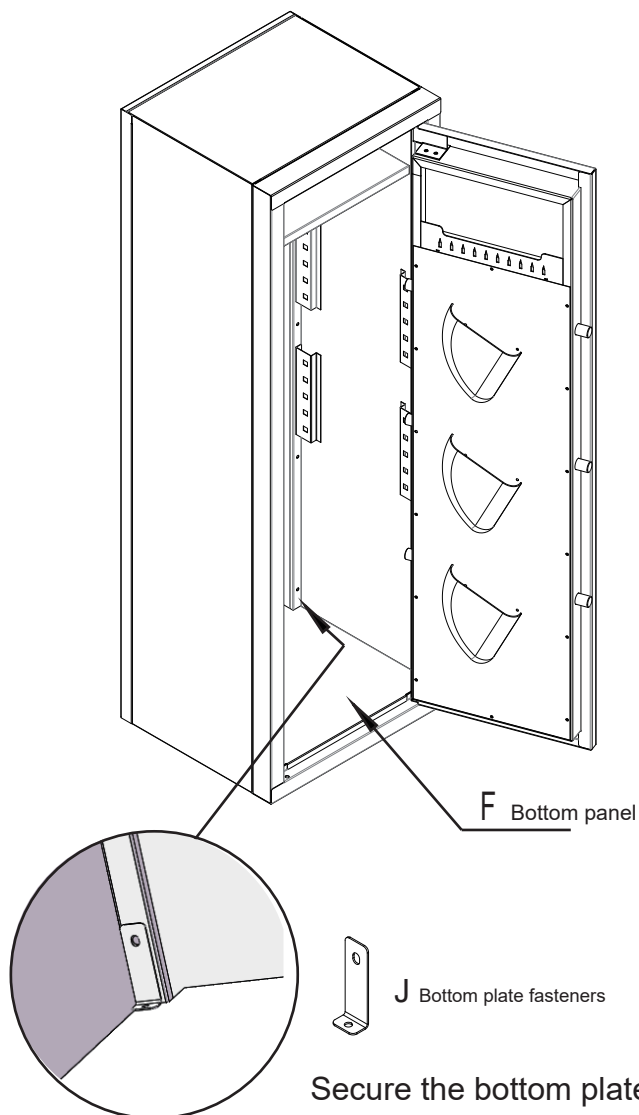
STEP :4

Secure the back panel D using screws K



STEP :5

Secure the bottom panel F using screws K

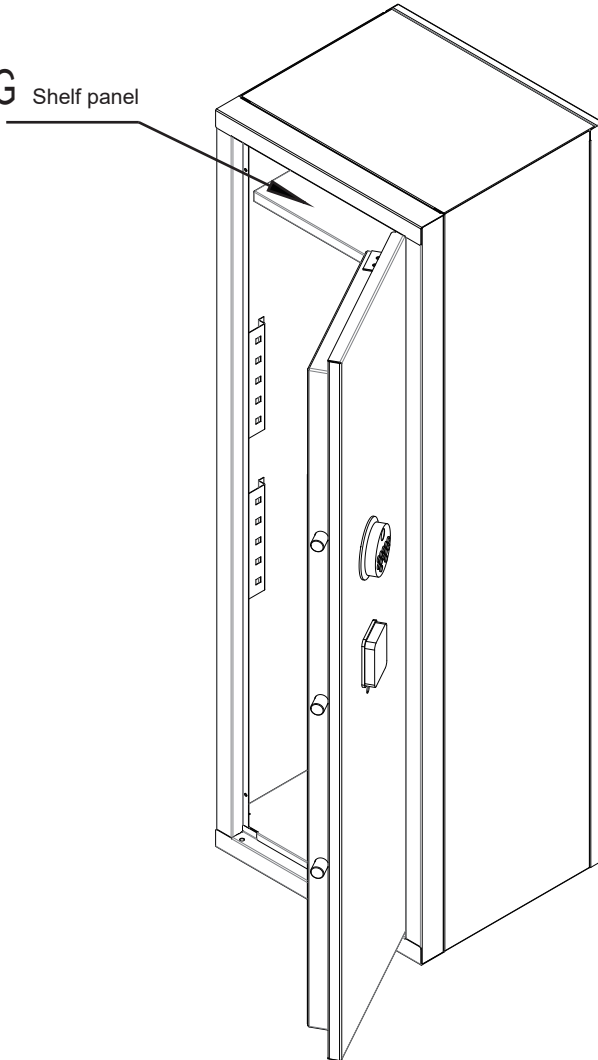


Secure the bottom plate fasteners in place using screws.

STEP :6

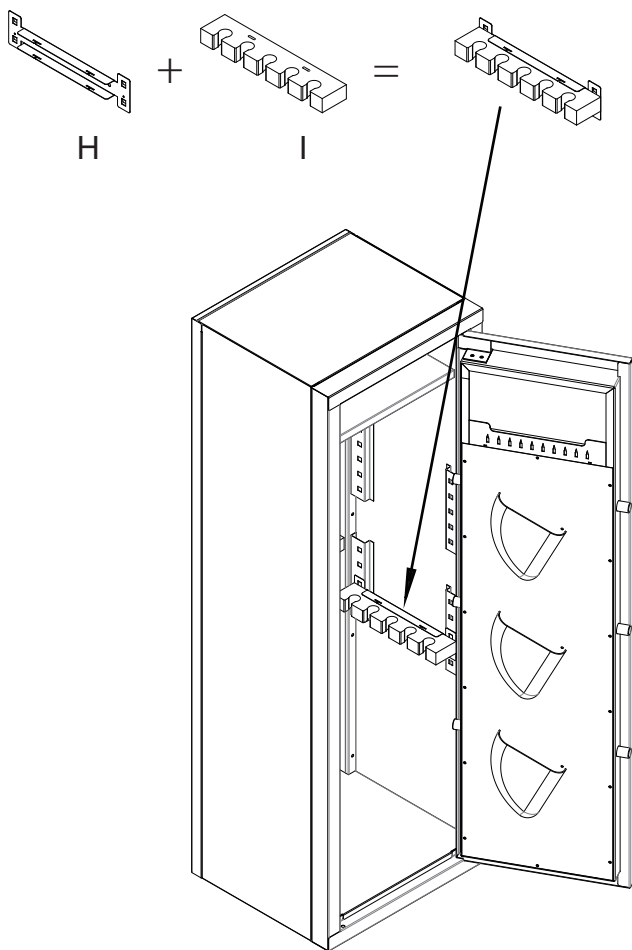
Secure the shelf panel G

G Shelf panel



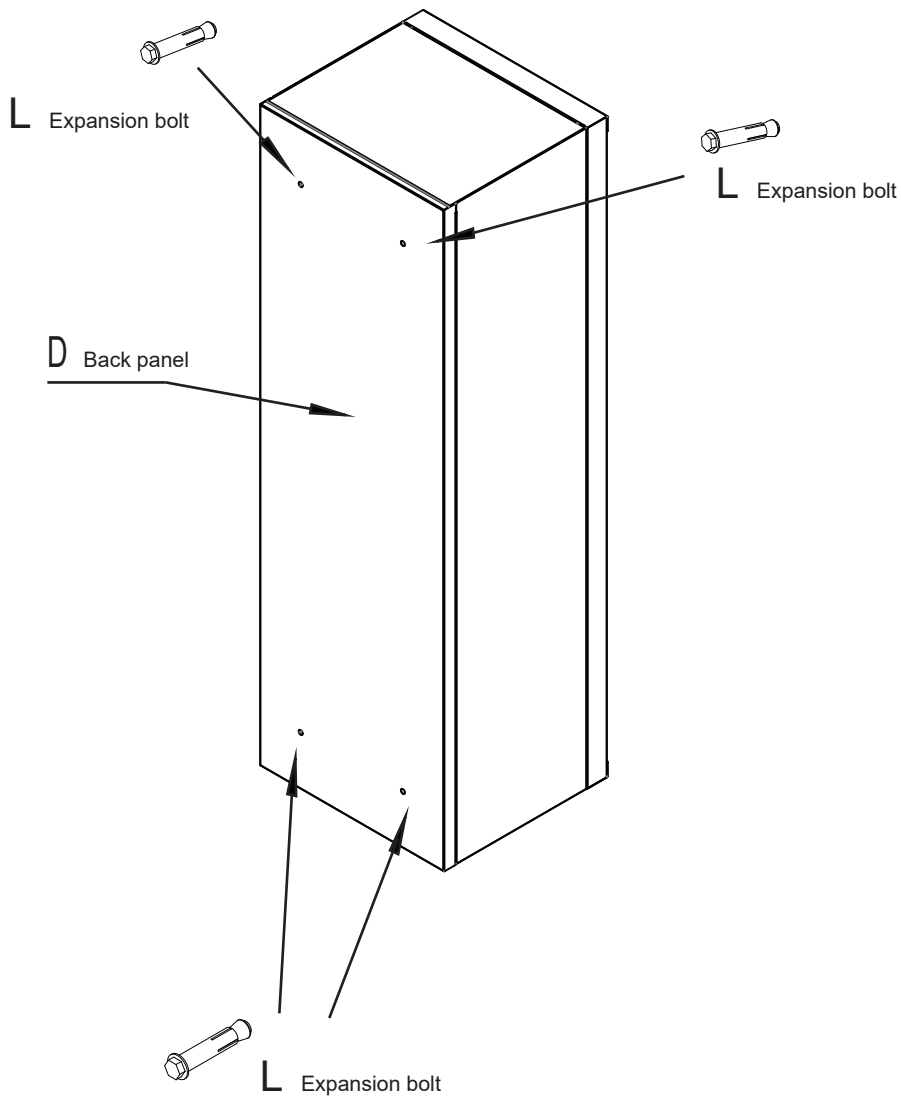
STEP :7

Install the gun bracket I onto the gun bracket connector H, and then attach the gun bracket connector to the back panel, left side panel, and right side panel



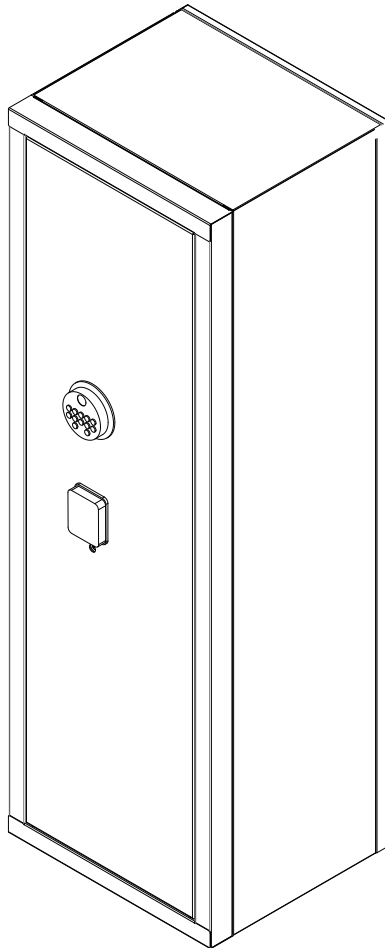
STEP :8

Secure the gun safe to the wall using expansion bolts L



STEP :9

Installation completed



Thank you for choosing our products! Please take your time to read and familiar with the proper operating procedures presented on the following pages.

IMPORTANT

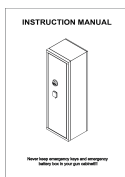
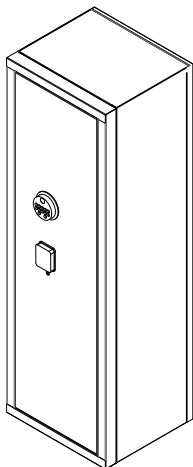


- Tip over hazard: Secure the cabinet! The cabinet can be tipped over by children or adults, please make sure the cabinet is mounted on the wall or floor.
- Keep the keys in a secure place away from children.
- Do not move this cabinet using its handle.

Lighting

When entering the correct password or correct fingerprint to open the door, the lighting inside the box will be on for 25 seconds.

Parts List



Instruction Manual*1



Emergency Battery Box*1



Expansion Screws*4



Emergency Key*2

Dual Alarm System

- 1: After entering the wrong password three times in a row, an alarm will sound for 20 seconds, and the system will lock for 20 seconds. (During the lock period, no operations are allowed).
- 2: After entering the wrong fingerprint five times in a row, an alarm will sound for 20 seconds. During the alarm, you can enter the correct password or fingerprint to unlock the safe.
- 3: Press and hold the * key for 3 seconds without releasing it. When you hear a brief "beep-beep" and see the green LED light flashing twice, it indicates that the vibration alarm function is activated.
- 4: When the Vibration Alarm is turned on and the safe is shaken, the safe's speaker will sound an alarm that lasts 20 seconds. During the alarm period, you can enter the correct password or fingerprint to unlock the safe and disarm the alarm.

Warnings

- ⚠ 1. Do not lock the emergency key or emergency battery box into the cabinet.
- ⚠ 2. The initial user code is "1234#", which needs to be modified.
- ⚠ 3. If the cabinet is not used for a long time, the battery should be removed to prevent leakage of liquid from damaging the electronic system.
- ⚠ 4. Purchase 4 AA batteries in advance, this cabinet does not contain batteries.

Insufficient power prompt

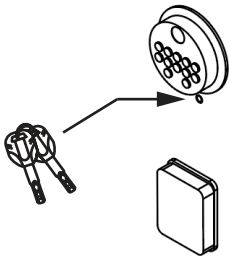
Five consecutive beeps indicate low power, please replace the battery in time.

System Setting

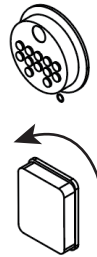
Opening Your Cabinet For The First Time

NOTE: Please use the emergency key to open the cabinet for the first time.

①



②



Open the keyhole cover to expose the emergency keyhole.

Insert the emergency key into the keyhole, turn it counterclockwise to the limit. Turn the door handle clockwise to open the door for the first time.

Insert The Battery

Remove the internal battery case cover. Install 4 AA batteries(not included) and restore battery case cover.

⚠ NOTE :

1. If batteries are too low to open the door, please use the emergency battery box comes with cabinet.
2. Rechargeable battery is not recommended, as it may destroy the internal electronic components of the cabinet.

Set The User Code

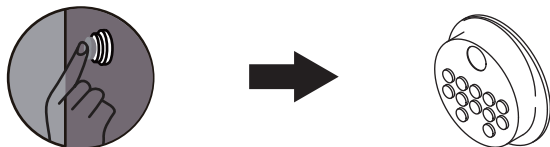
- 1 . The initial password is 1234#
- 2 . Open the safe, keep the safe open and press * key
- 3 . Enter a new password and press the "#" key to confirm.
- 4 . Green light is on, indicating successful setup

Restore Factory Settings

Press and hold the reset button for 3 seconds without letting go, and you will hear a long "drop" sound, and at the same time, the green LED light will be on for a while, which means the system is restored.Success: password 1234#, fingerprint blank.

⚠ NOTE :

1. The user can only set one code for the cabinet.
2. The initial user code is "1234#", need to be modified. (After you set the new different user code successfully, the initial user code will be covered automatically.)
3. The code consists of a minimum 1 number and maximum 8 numbers.
4. The "*" button is delete button. After pressing the "*" key, the entered code will be cleared.



Set the Fingerprint

1. To set up a new fingerprint, you must first open the door and then press the reset button.
2. Then place your finger on the fingerprint collector. When you hear a short "BEEP", remove your finger and press again, repeat five times.
3. The buzzer "beeps" and the green LED light flashes twice, which means the fingerprint setup is successful. (A total of 28 fingerprints can be entered)

Four Ways to Open the Door

1. The first unlocking method: Use the emergency key

Insert the emergency key into the keyhole and turn it counterclockwise to the limit. Then turn the door handle clockwise to open the safe door (for first time opening, forgetting password or fingerprints, or when the battery is dead).

2. The second unlocking method: Use the code

After installing the battery, input the password and press the "#" key once more, the right indicator light will be on, then turn the door handle clockwise to open the door.

3. The third unlocking method: Use the fingerprint

Put your finger on the fingerprint collector, the RIGHT indicator light will be on. Turn the door handle clockwise to open the door.

4. The fourth unlocking method: Use the emergency battery box + code/fingerprint

When the battery is too low to open the door, insert 4AA batteries in the emergency battery box, plug the emergency power cord into the emergency power jack below the panel, then enter the correct code/fingerprint to open the door.

