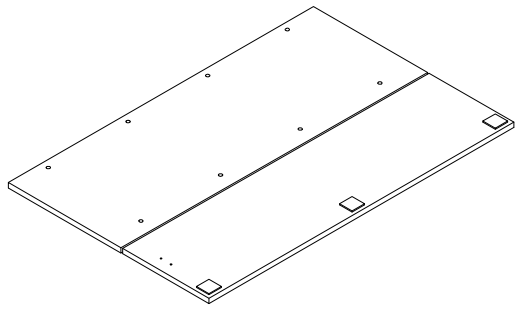
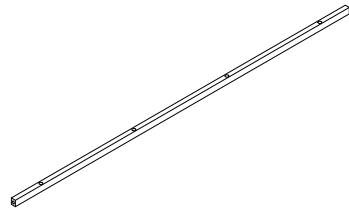


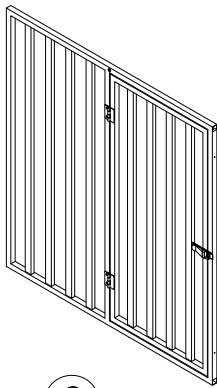
# Part list



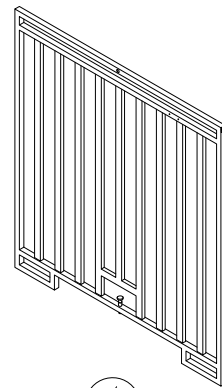
① X1



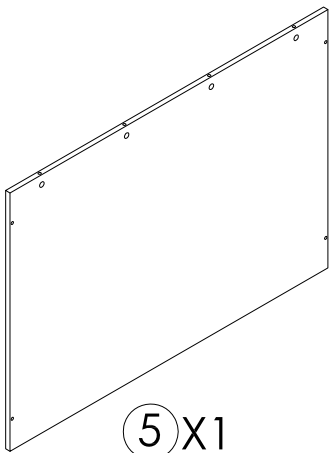
② X1



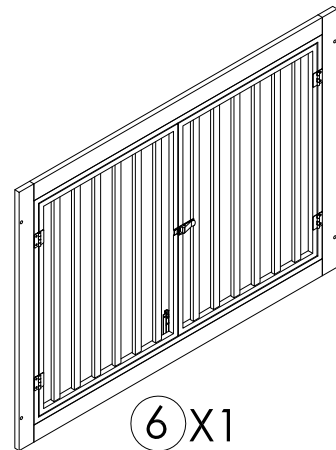
③ X1



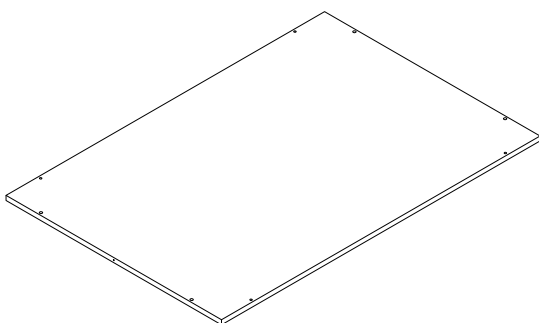
④ X1



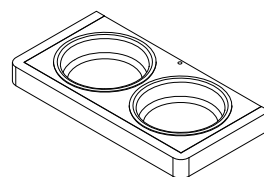
⑤ X1



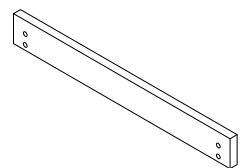
⑥ X1



⑦ X1

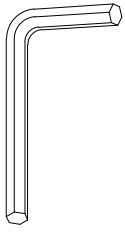


⑧ X1

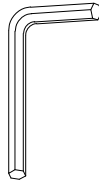


⑨ X1

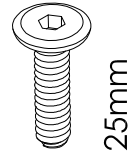
# Hardware list



Ⓐ X1



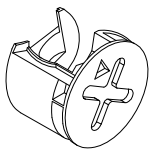
Ⓑ X1



Ⓒ X18



Ⓓ X16



Ⓔ X4



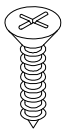
Ⓕ X4



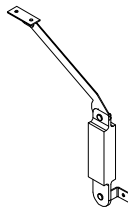
Ⓖ X8



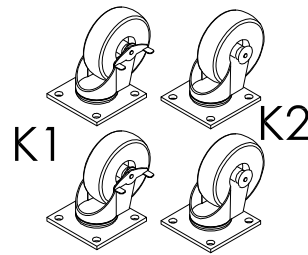
Ⓗ X2



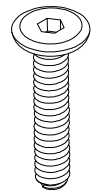
Ⓘ X2



Ⓙ X1

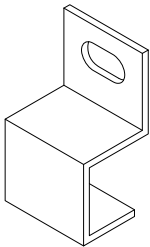


Ⓚ X1

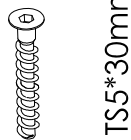


Ⓛ X4

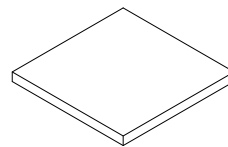
## Two dog cage combination accessories



Ⓜ X2

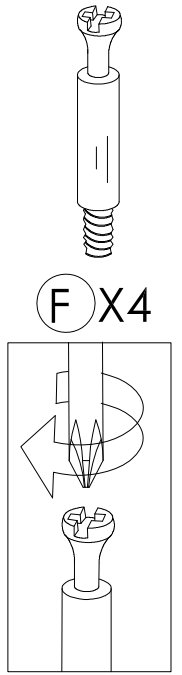
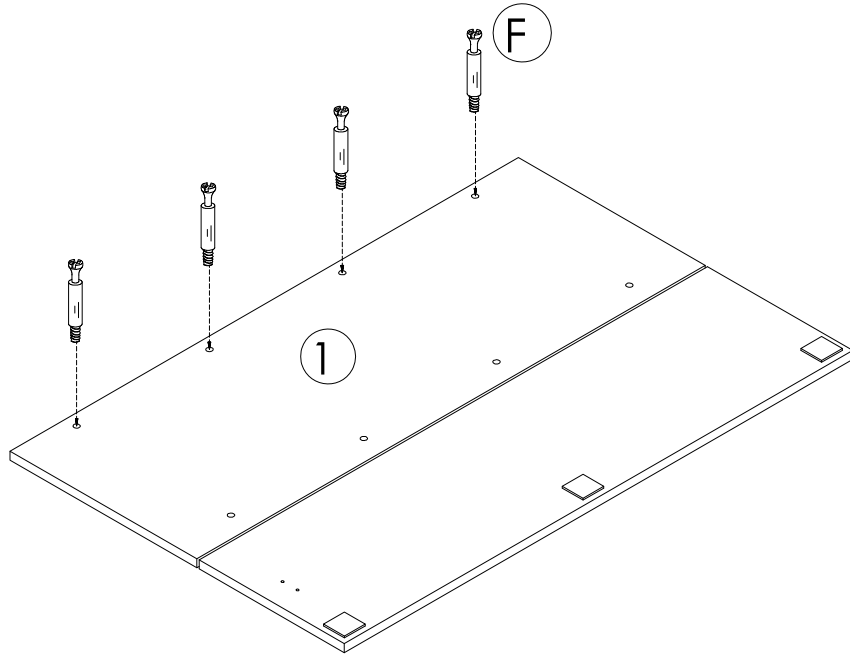


Ⓝ X2



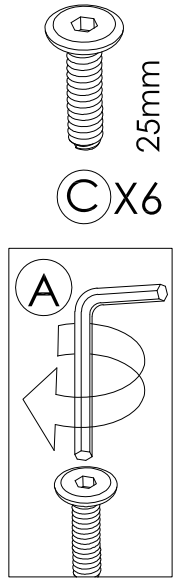
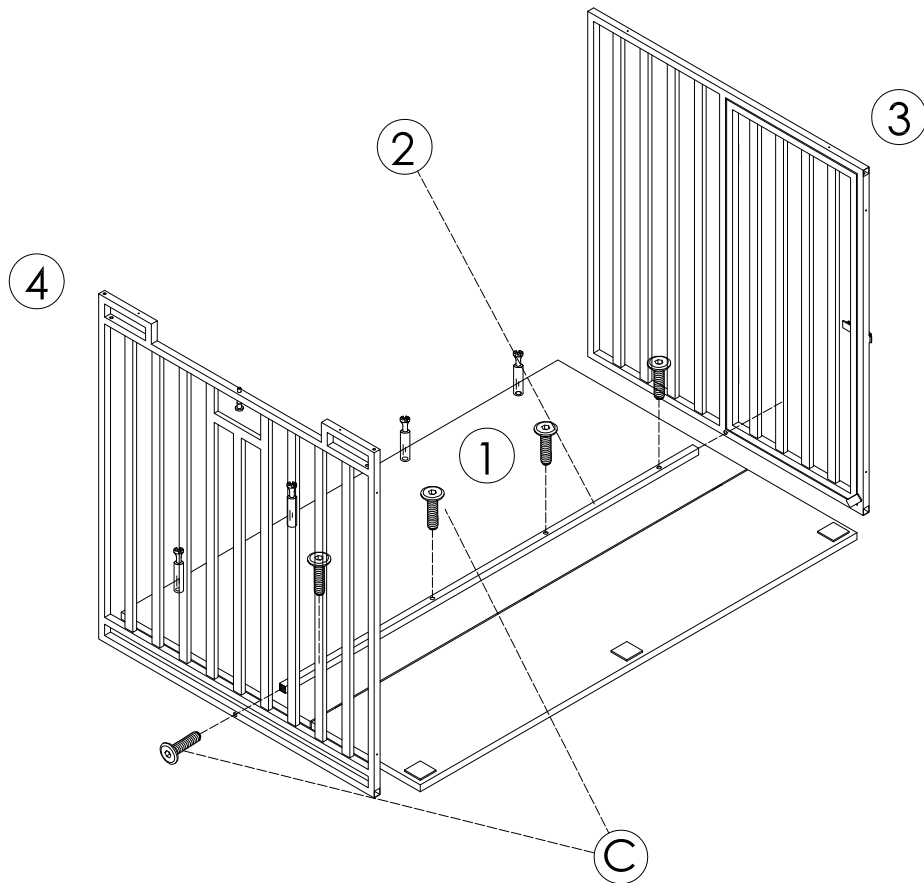
Ⓞ X4

1



F X4

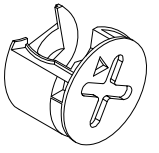
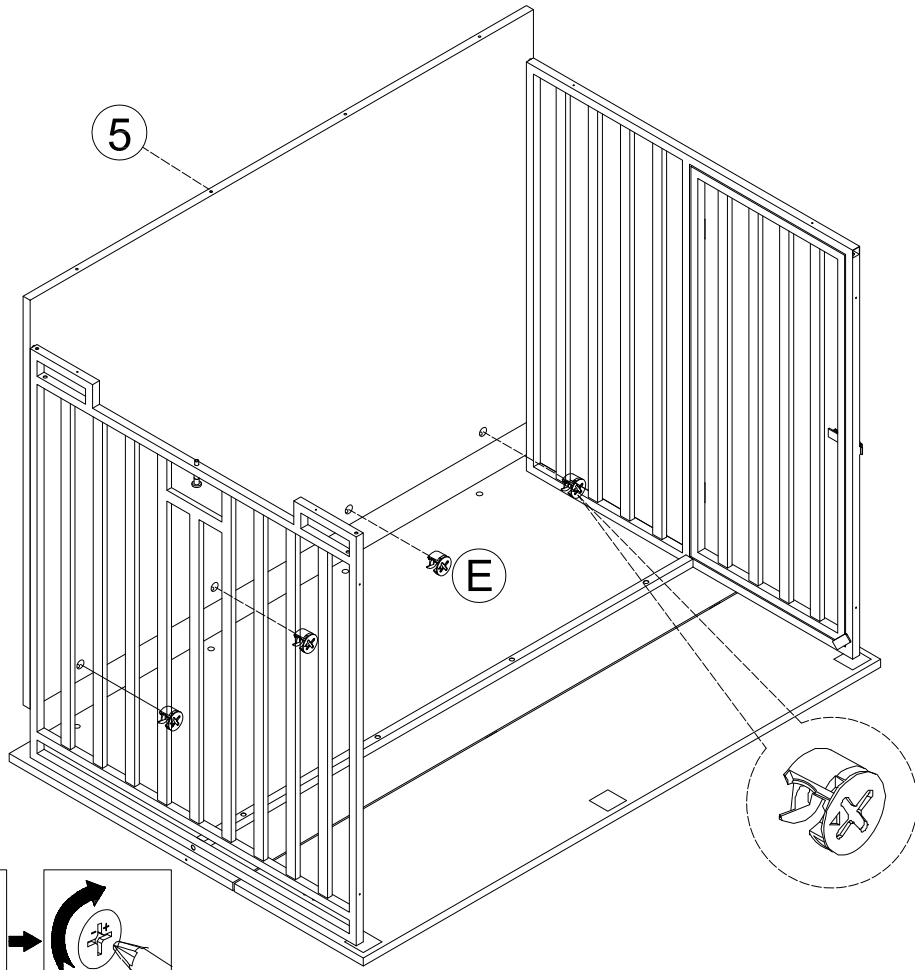
2



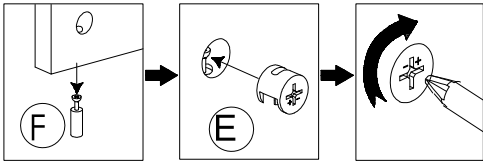
25mm

C X6

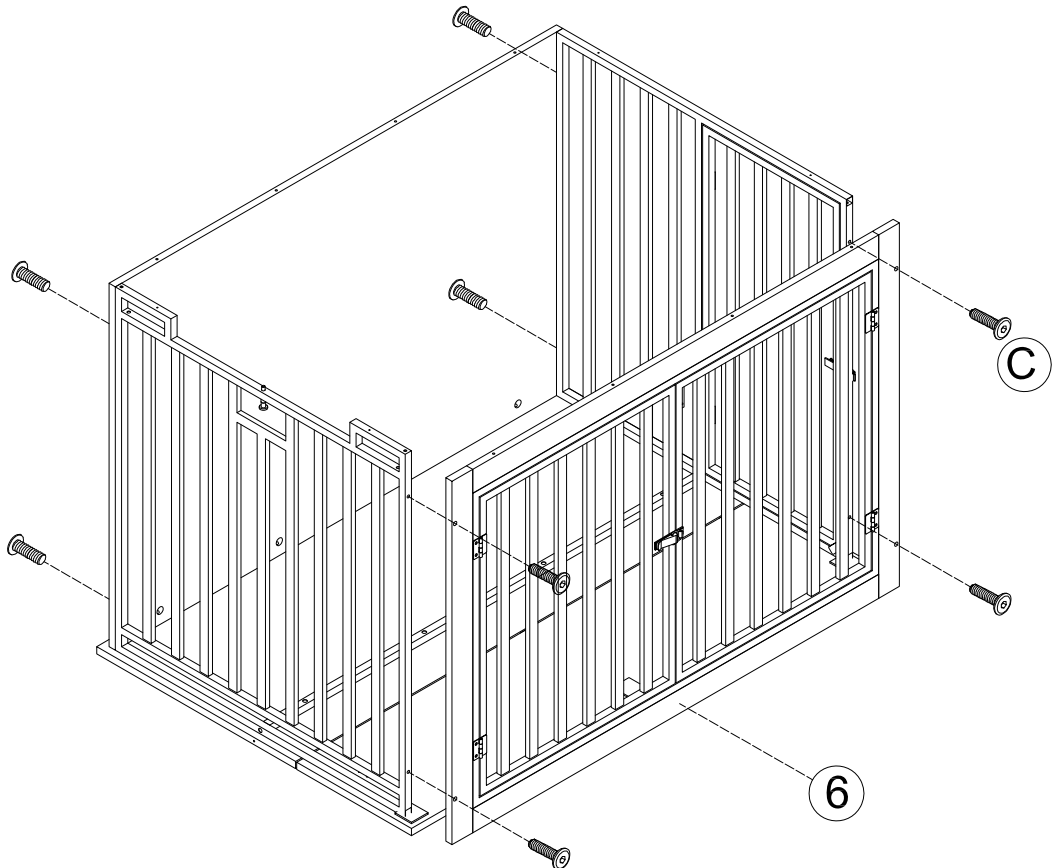
3



E X4



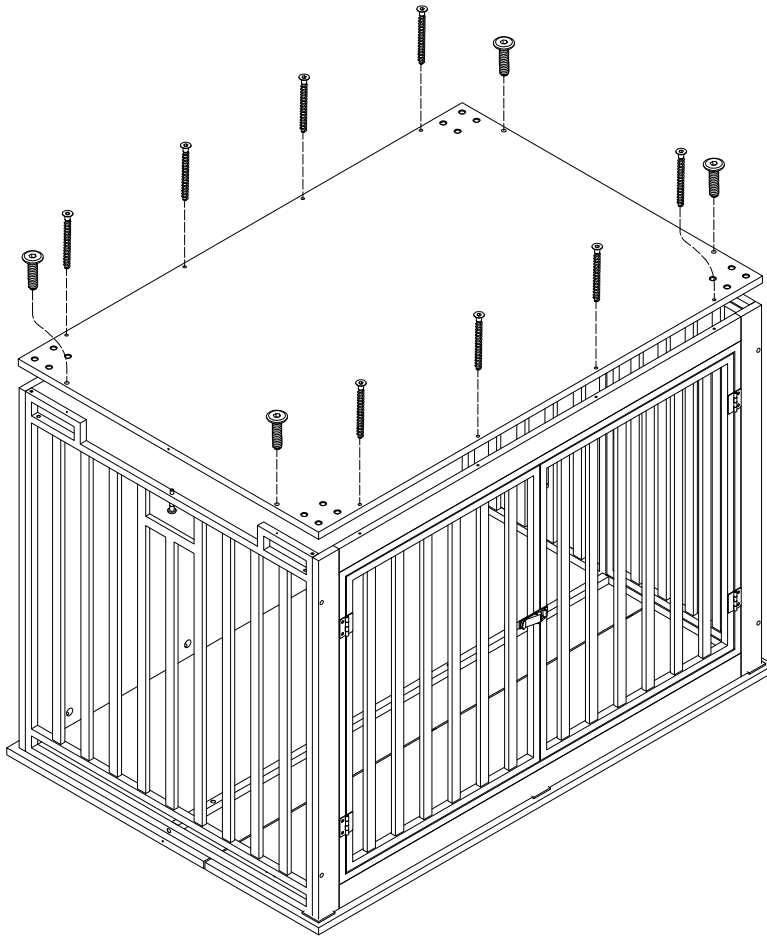
4



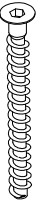
C X8

25mm

5

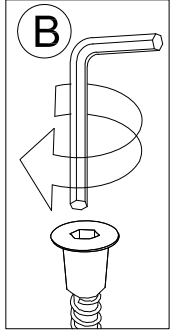


25mm

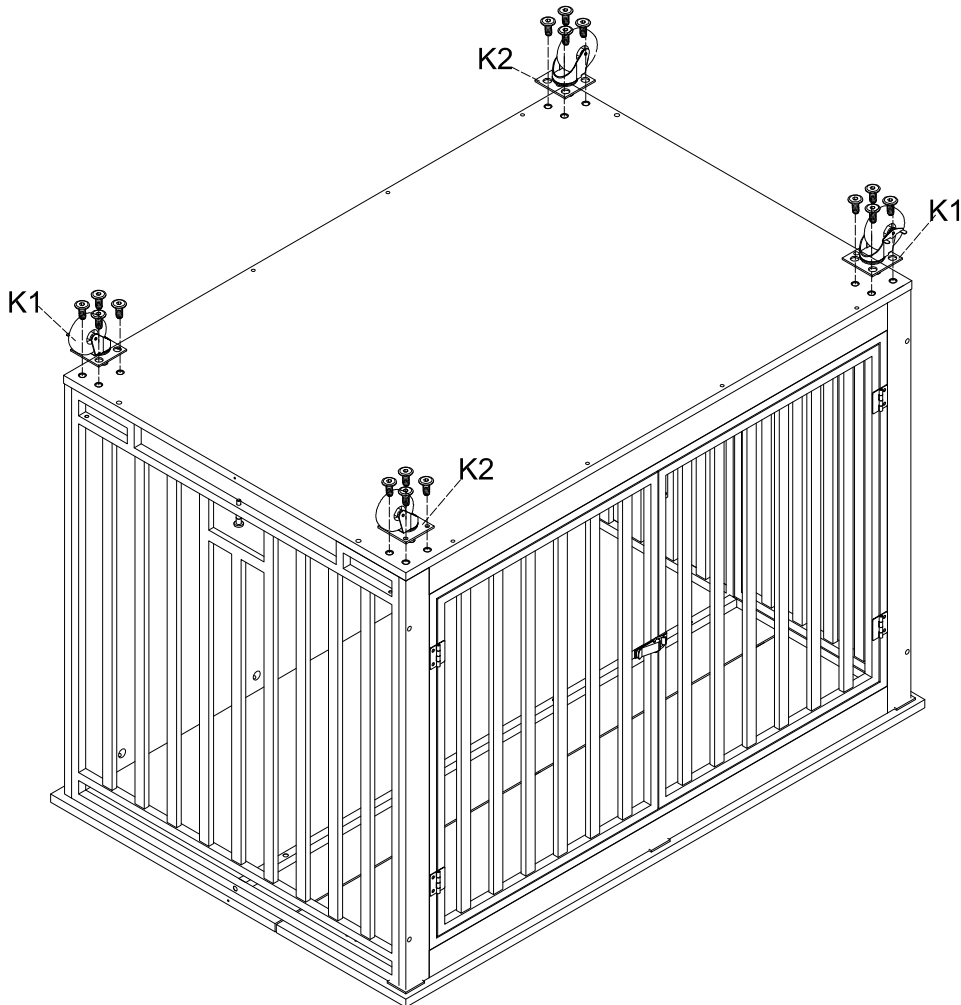


(C) X4

(G) X8

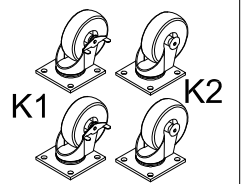


6



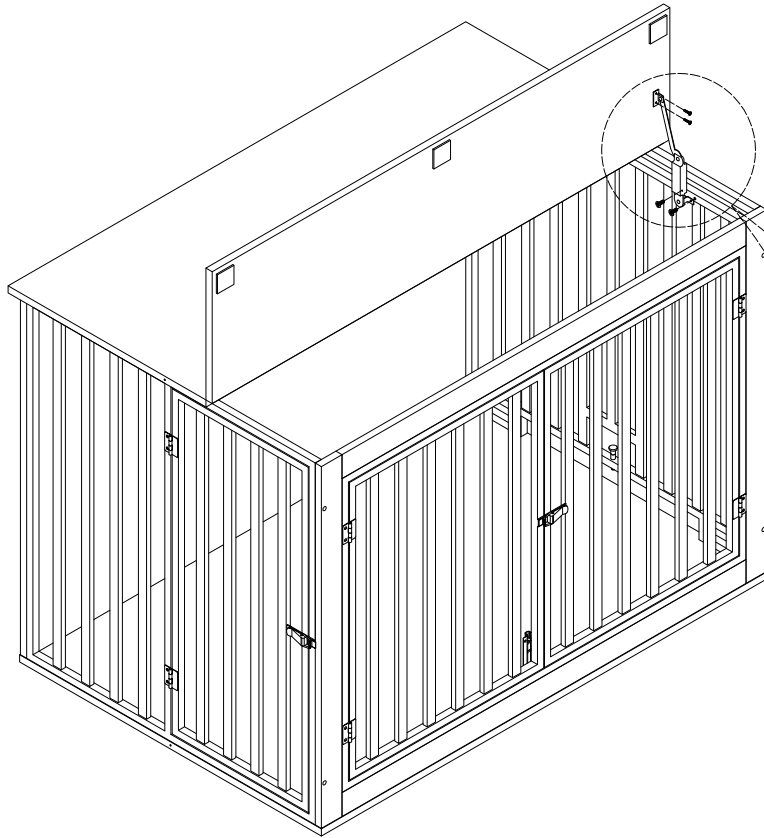
12mm

(D) X16



(K) X1

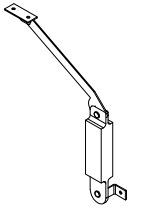
7



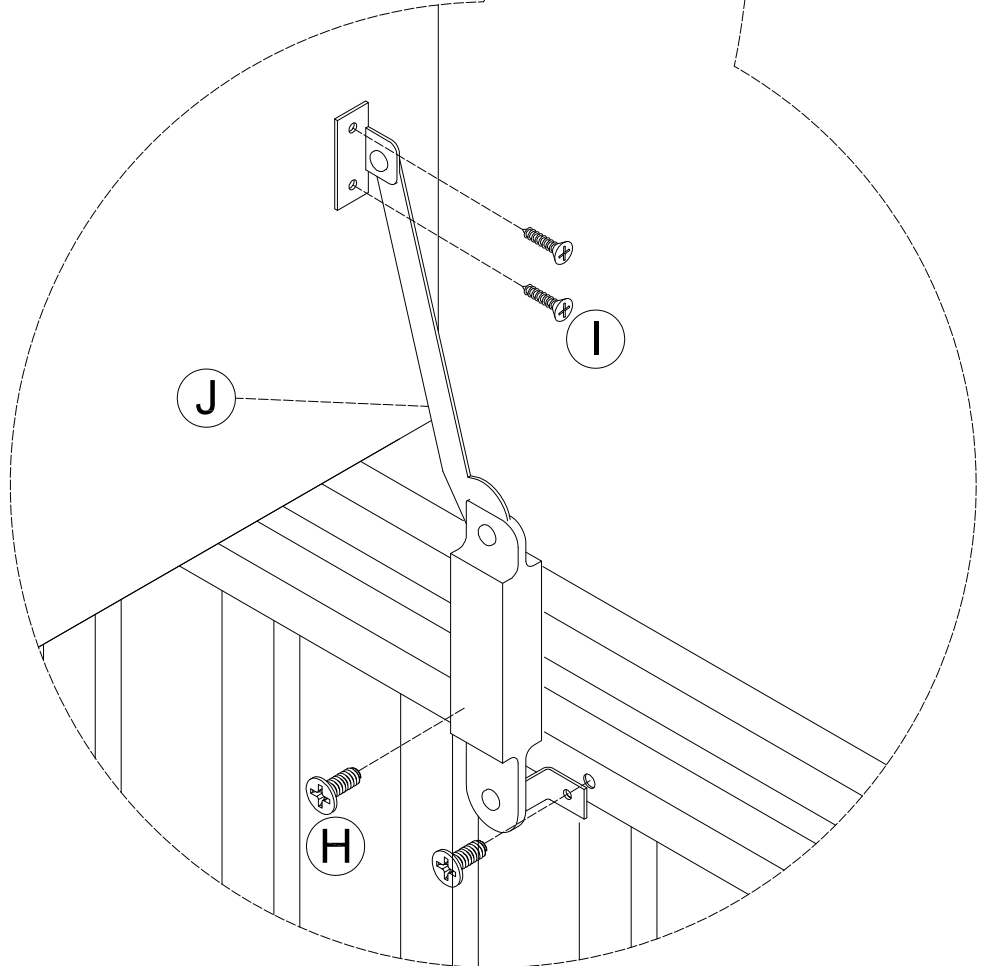
H X2



I X2

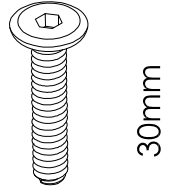


J X1



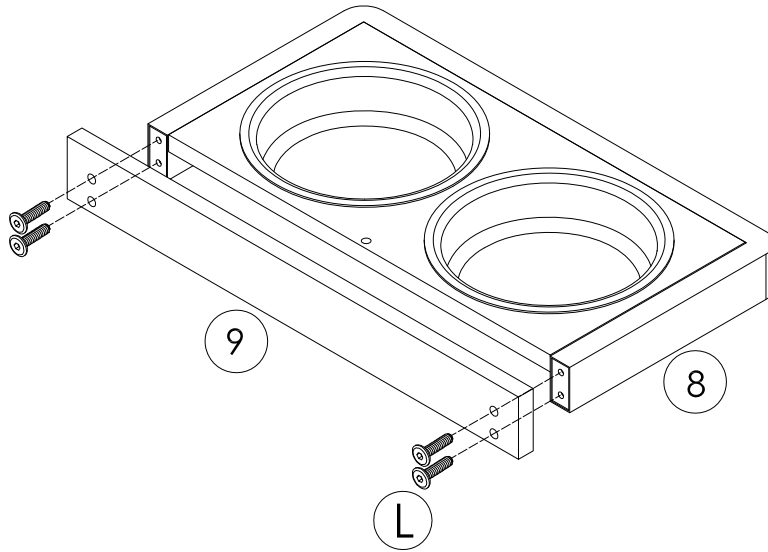


8

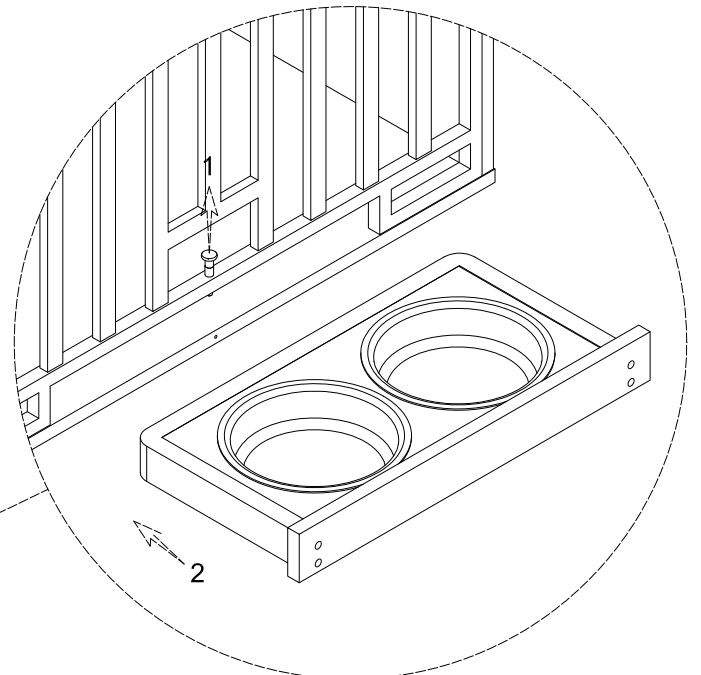
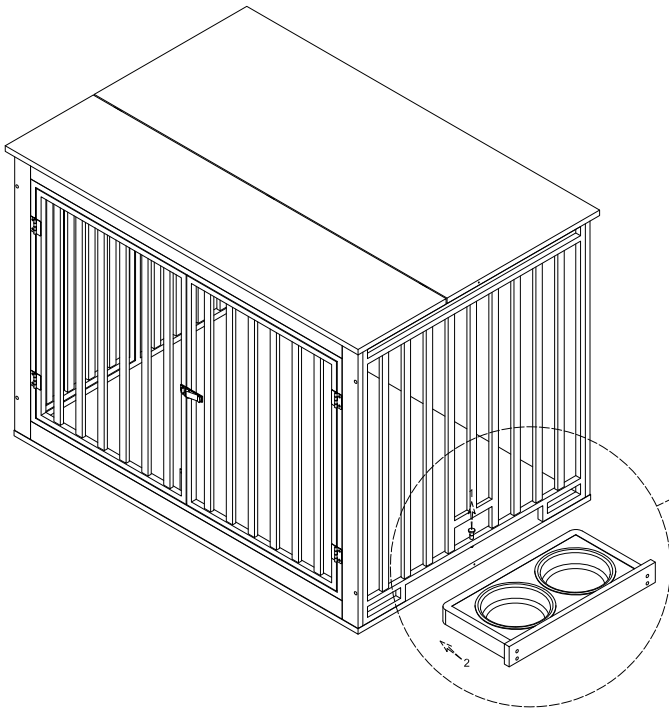


30mm

L X4

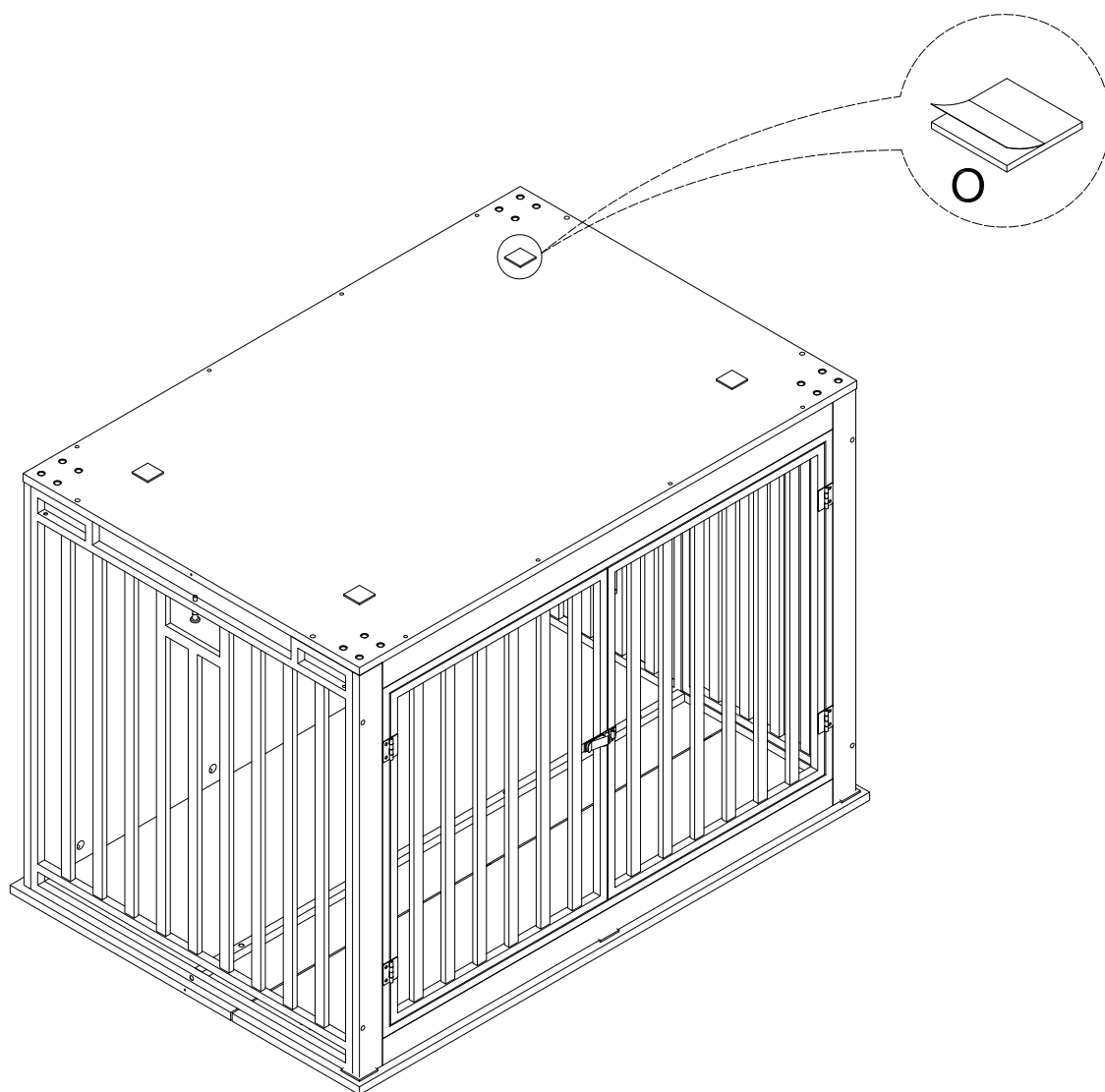


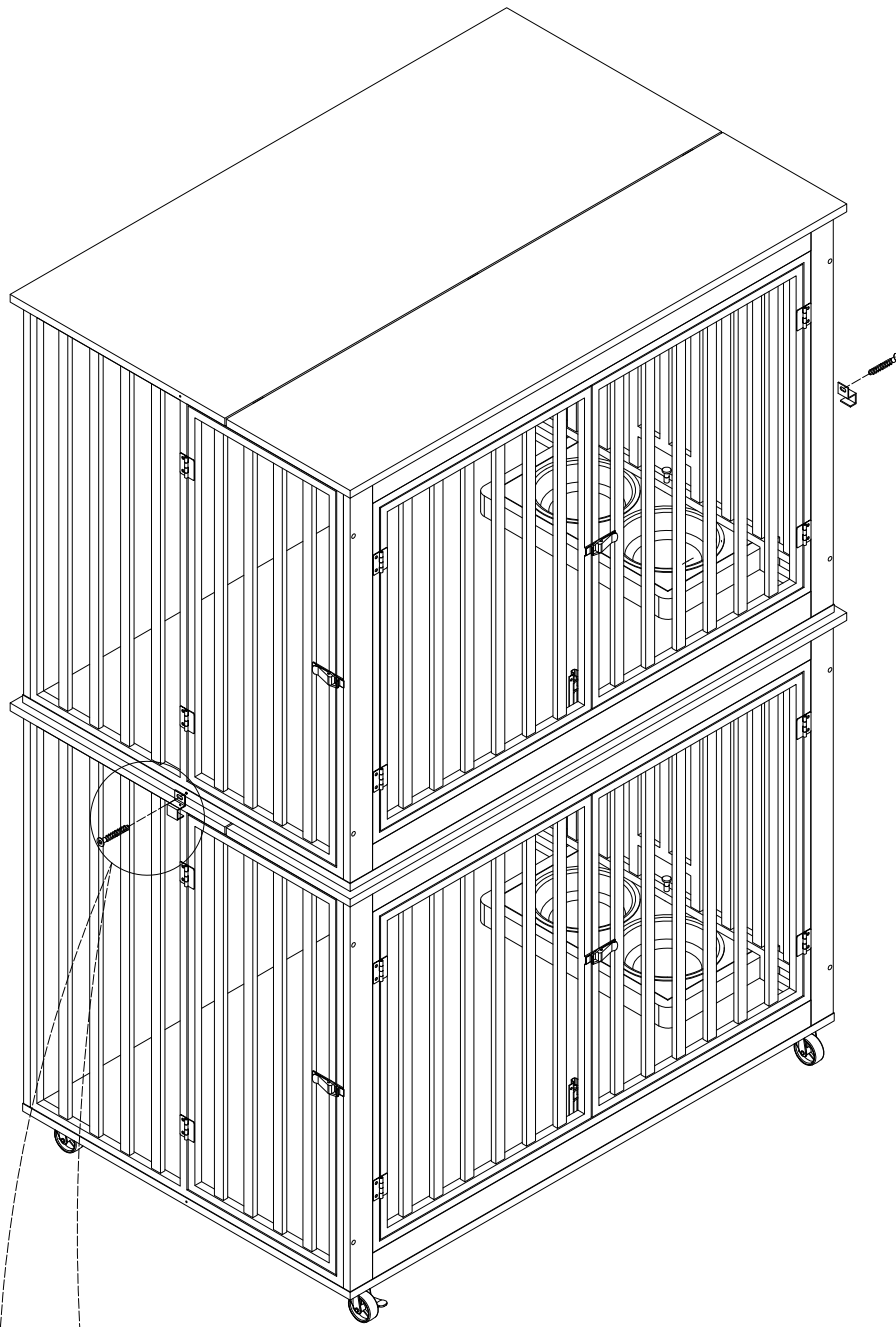
9



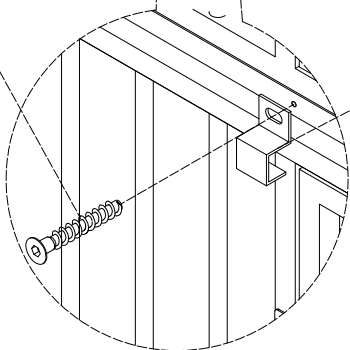
Dog bowl parallel push

If you buy two dog cages can be stacked according to demand assembly

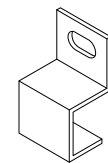




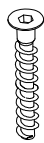
N



M



M X2



TS5\*30mm

N X2