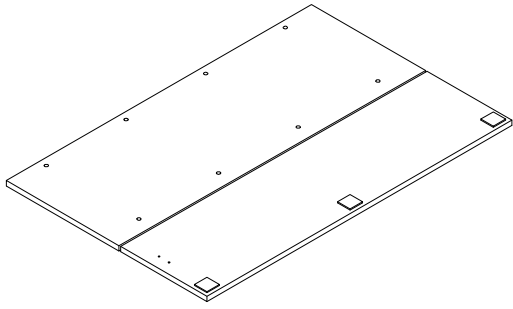
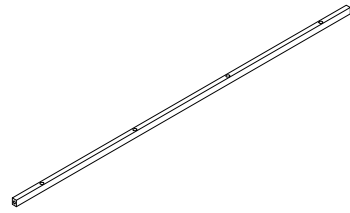


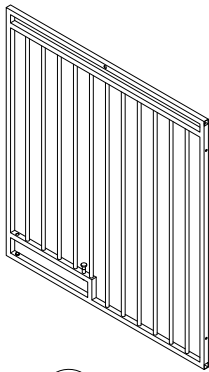
# Part list



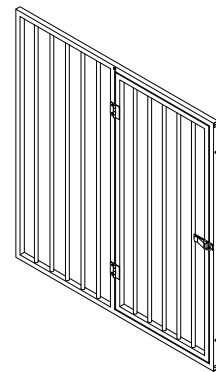
① X1



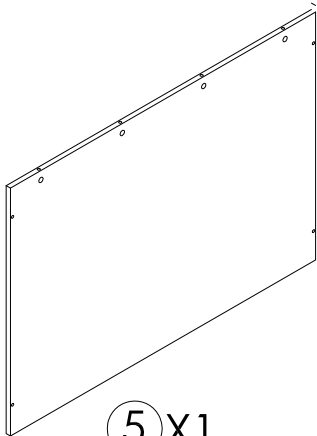
② X1



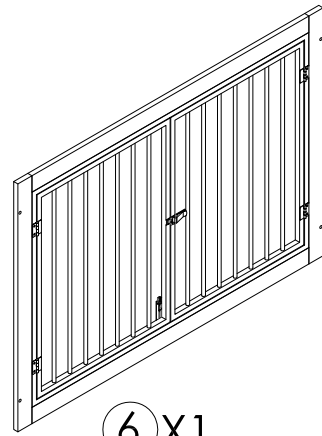
③ X1



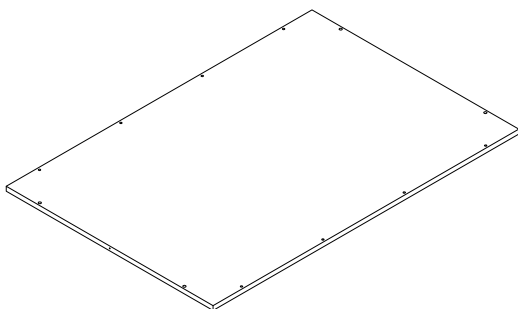
④ X1



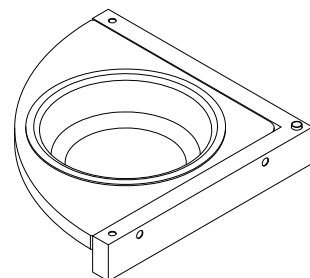
⑤ X1



⑥ X1

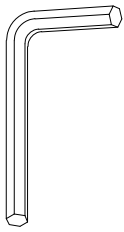


⑦ X1

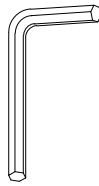


⑧ X1

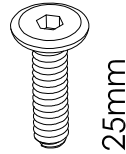
# Hardware list



Ⓐ X1



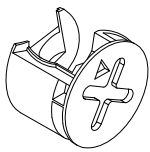
Ⓑ X1



Ⓒ X18



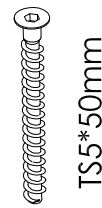
Ⓓ X16



Ⓔ X4



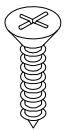
Ⓕ X4



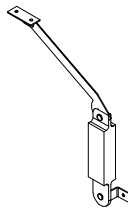
Ⓖ X8



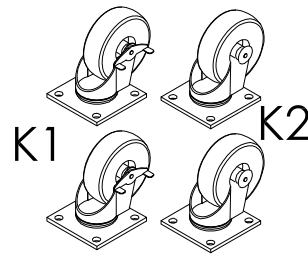
Ⓗ X2



Ⓘ X2



Ⓙ X1

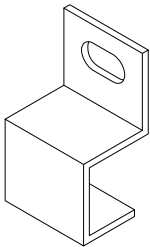


Ⓚ X1

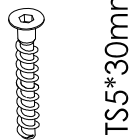


Ⓛ X1

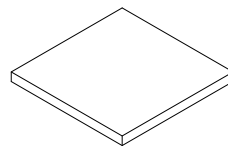
## Two dog cage combination accessories



Ⓜ X2

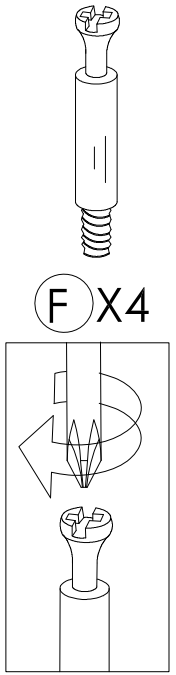
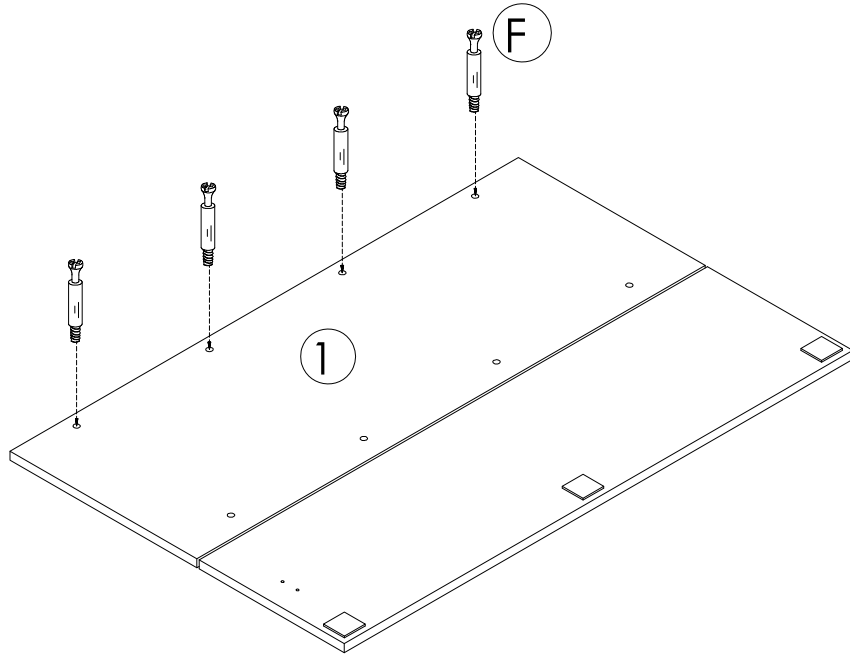


Ⓝ X2



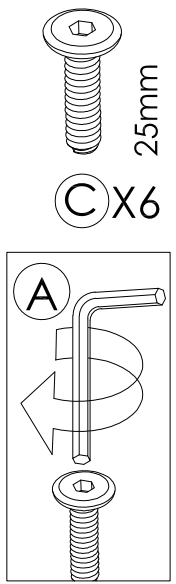
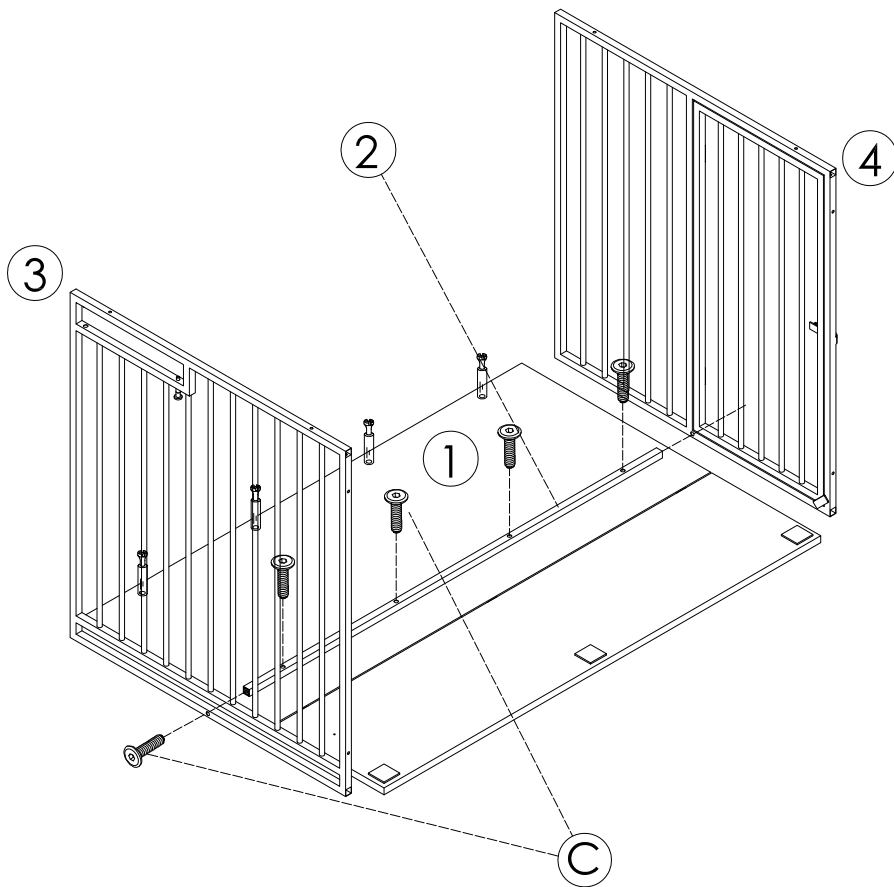
Ⓞ X4

1



F X4

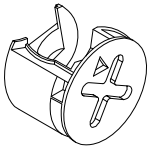
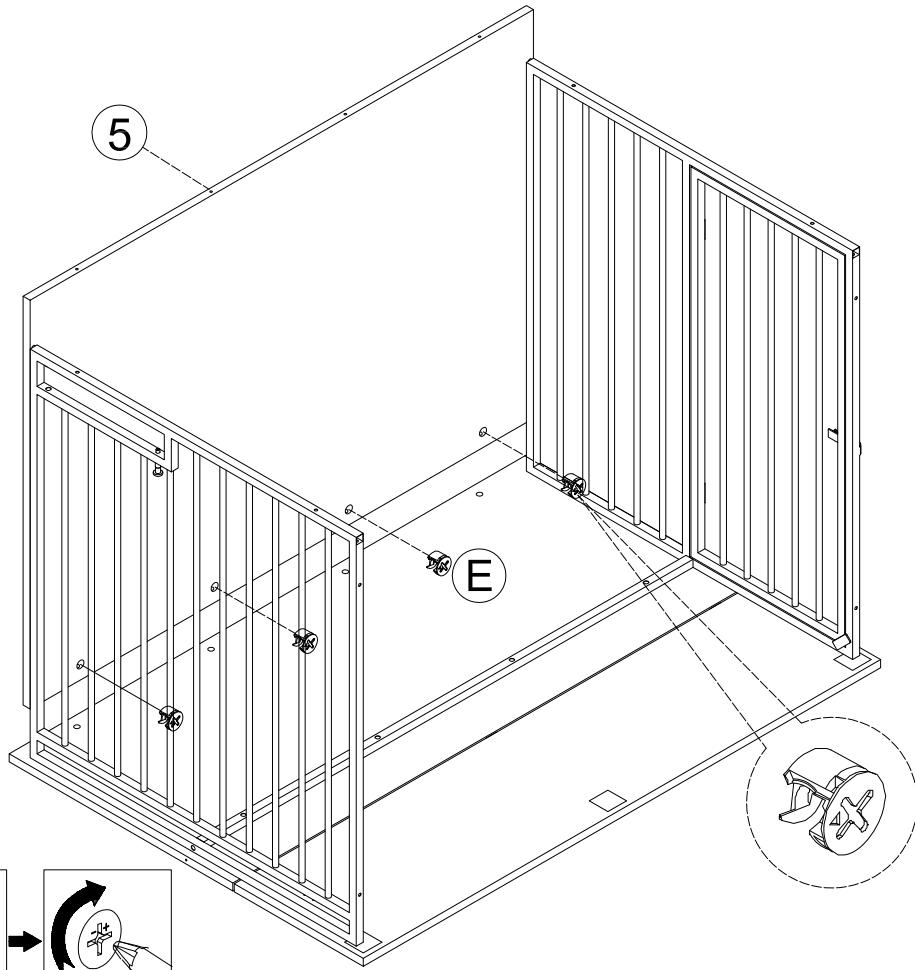
2



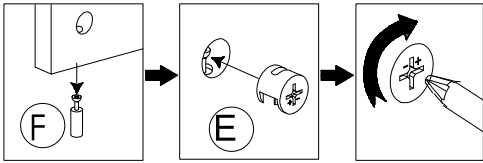
25mm

C X6

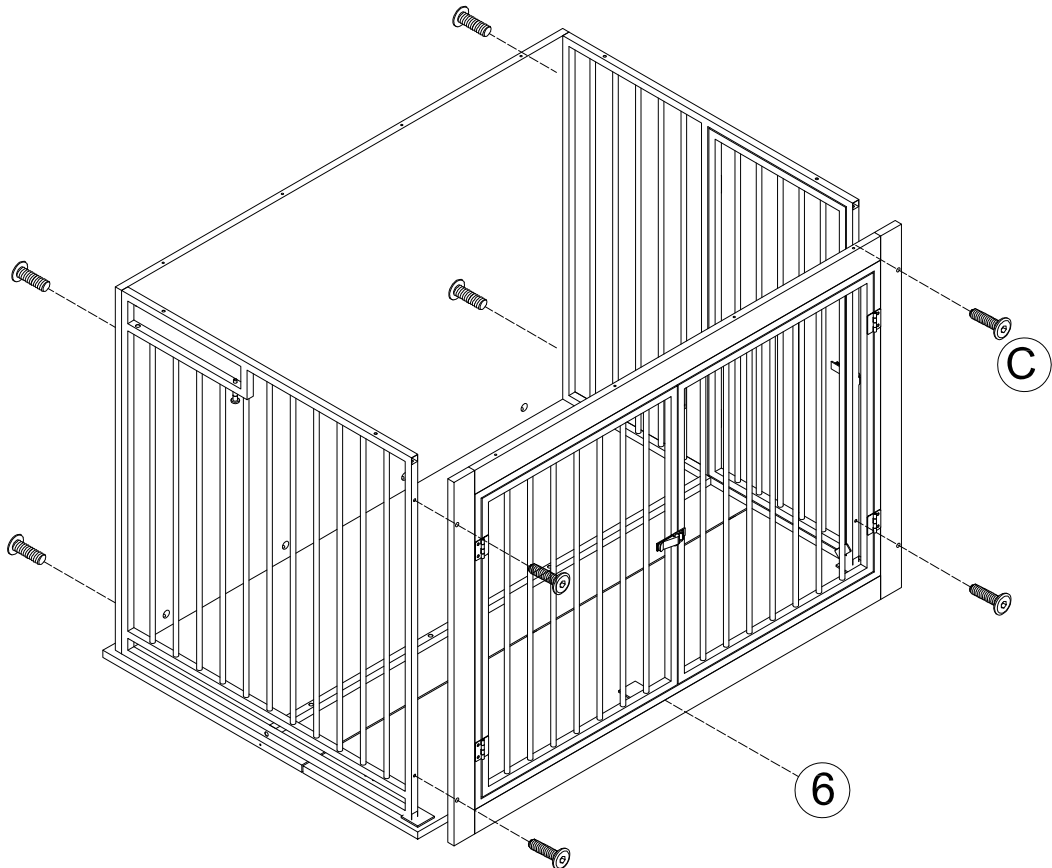
3



E X4

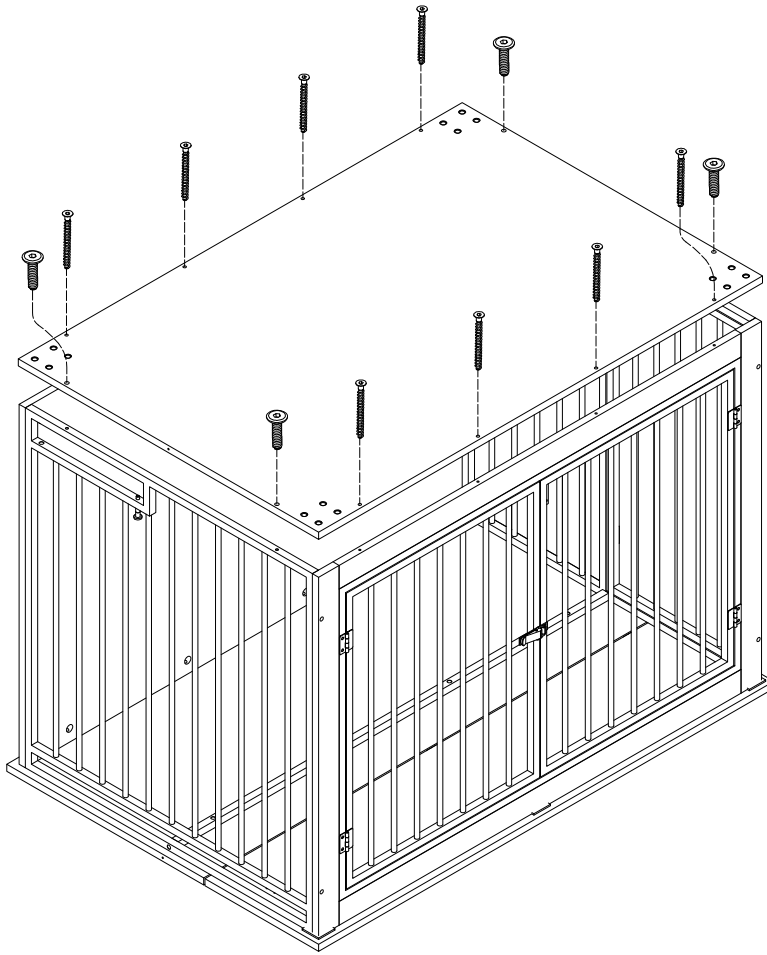


4

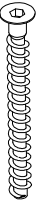


C X8  
25mm

5

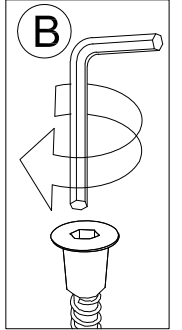


25mm

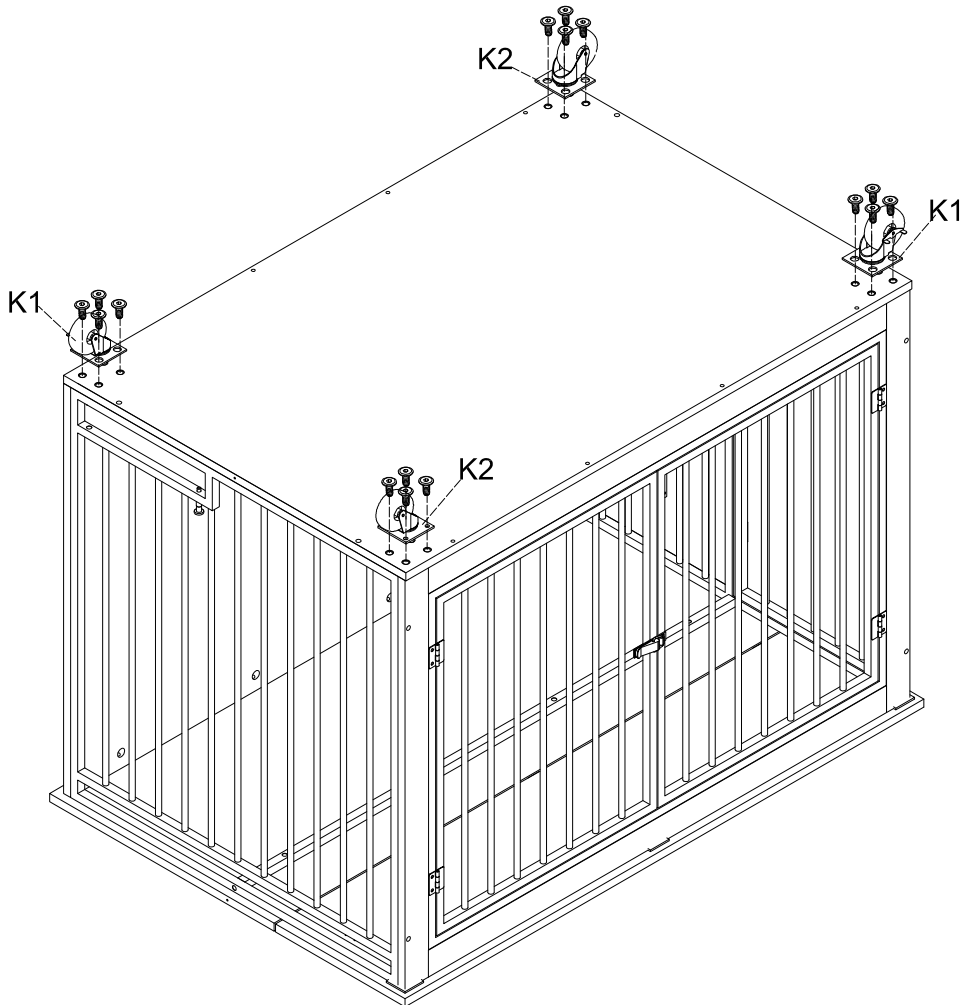


C X4

G X8

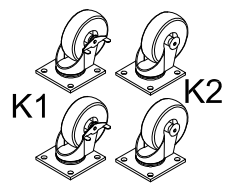


6



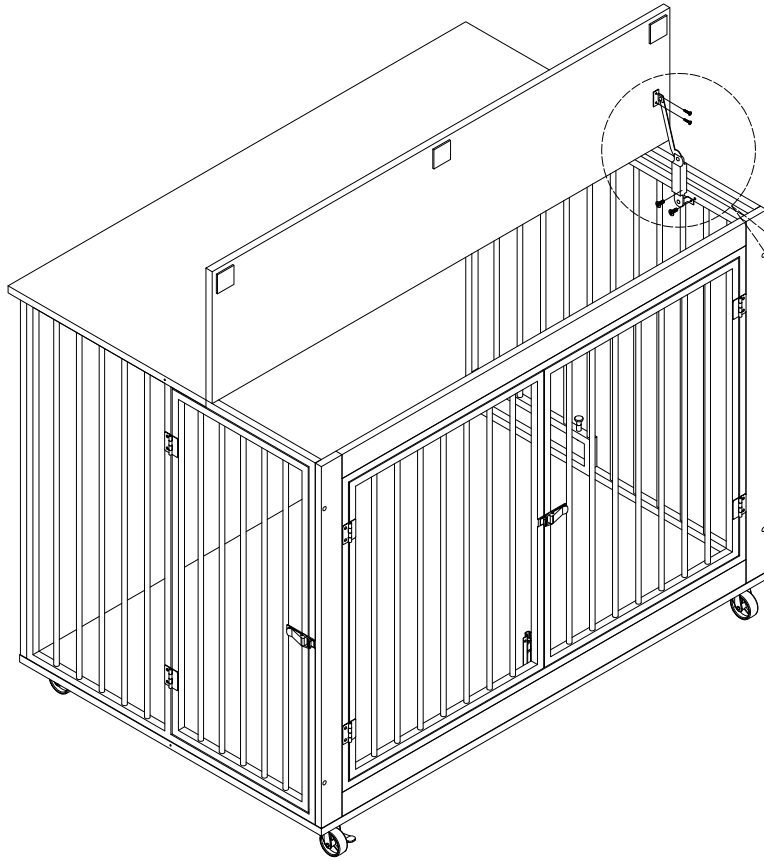
12mm

D X16

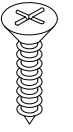


K X1

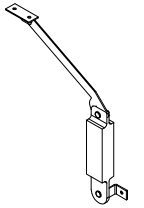
7



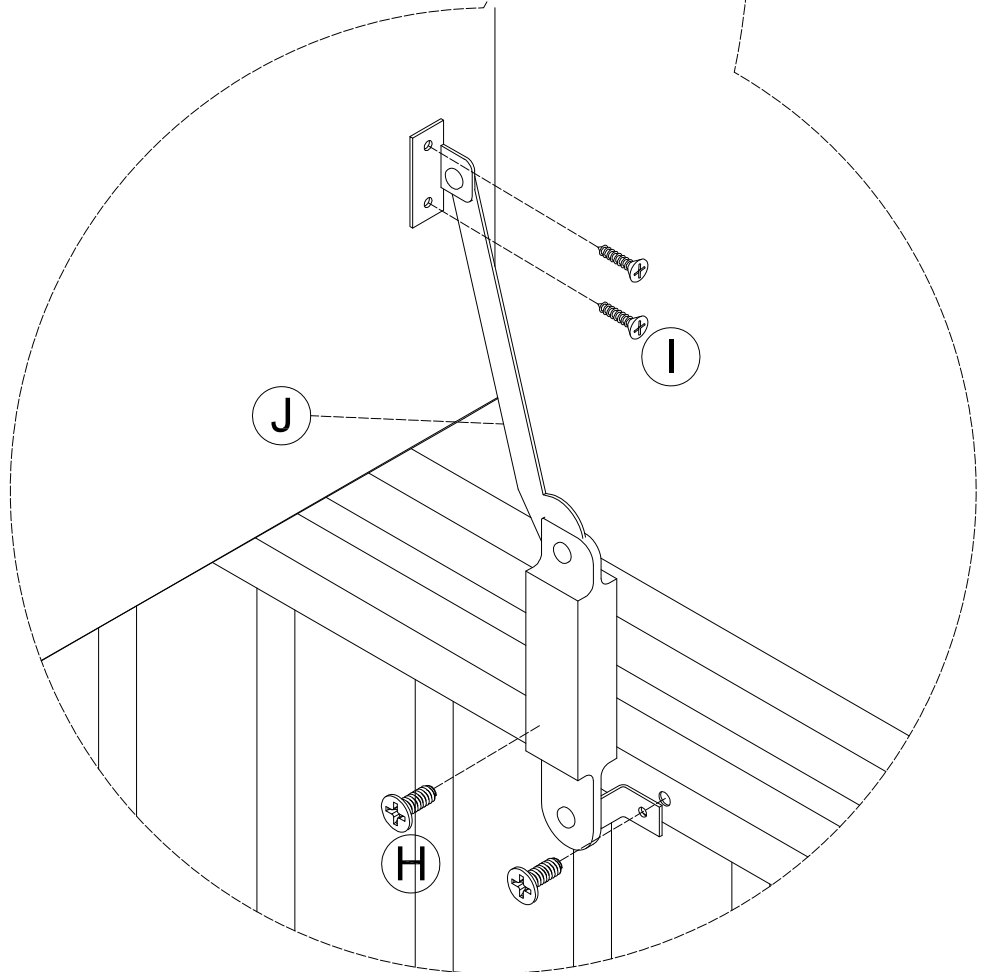
H X2



I X2

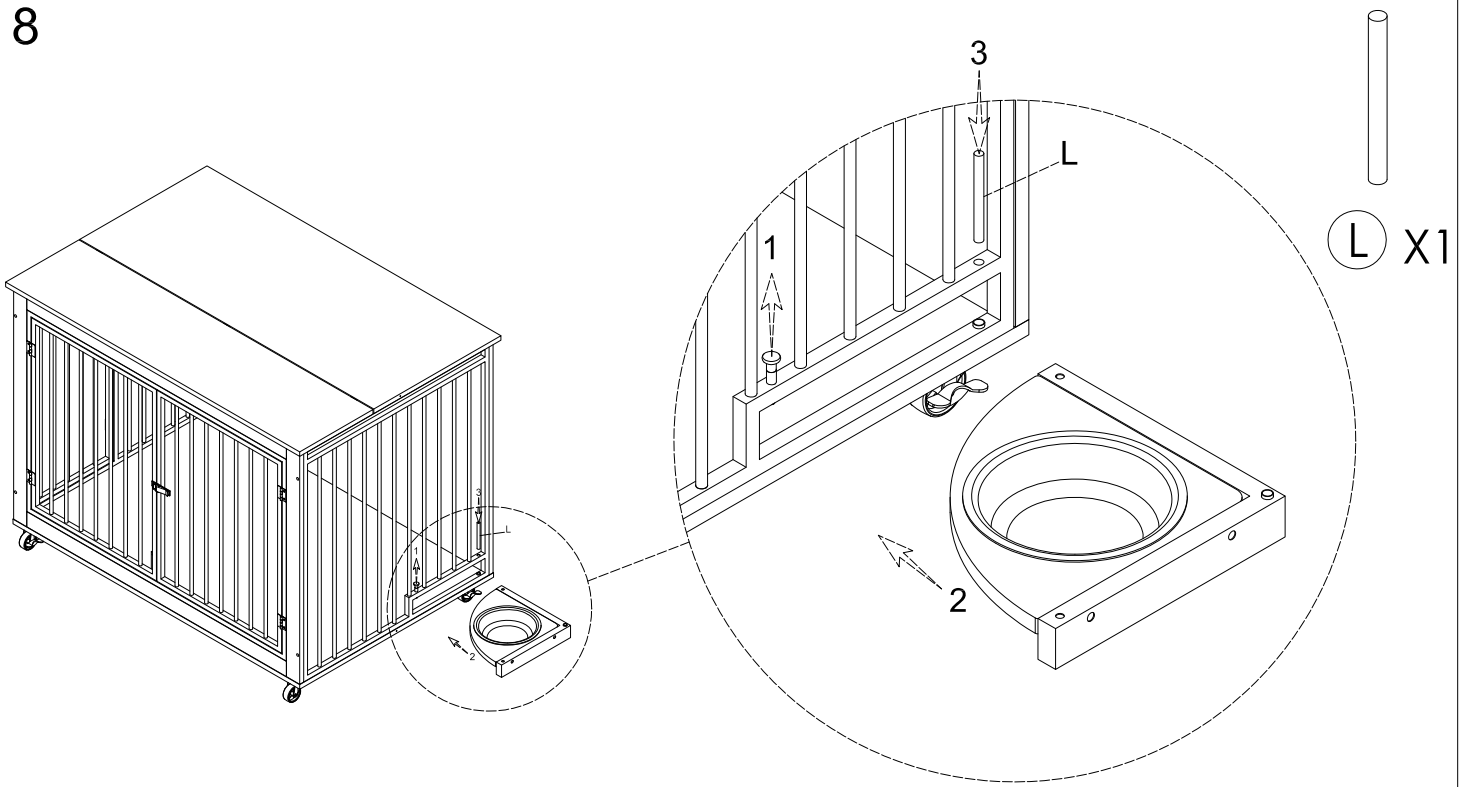


J X1

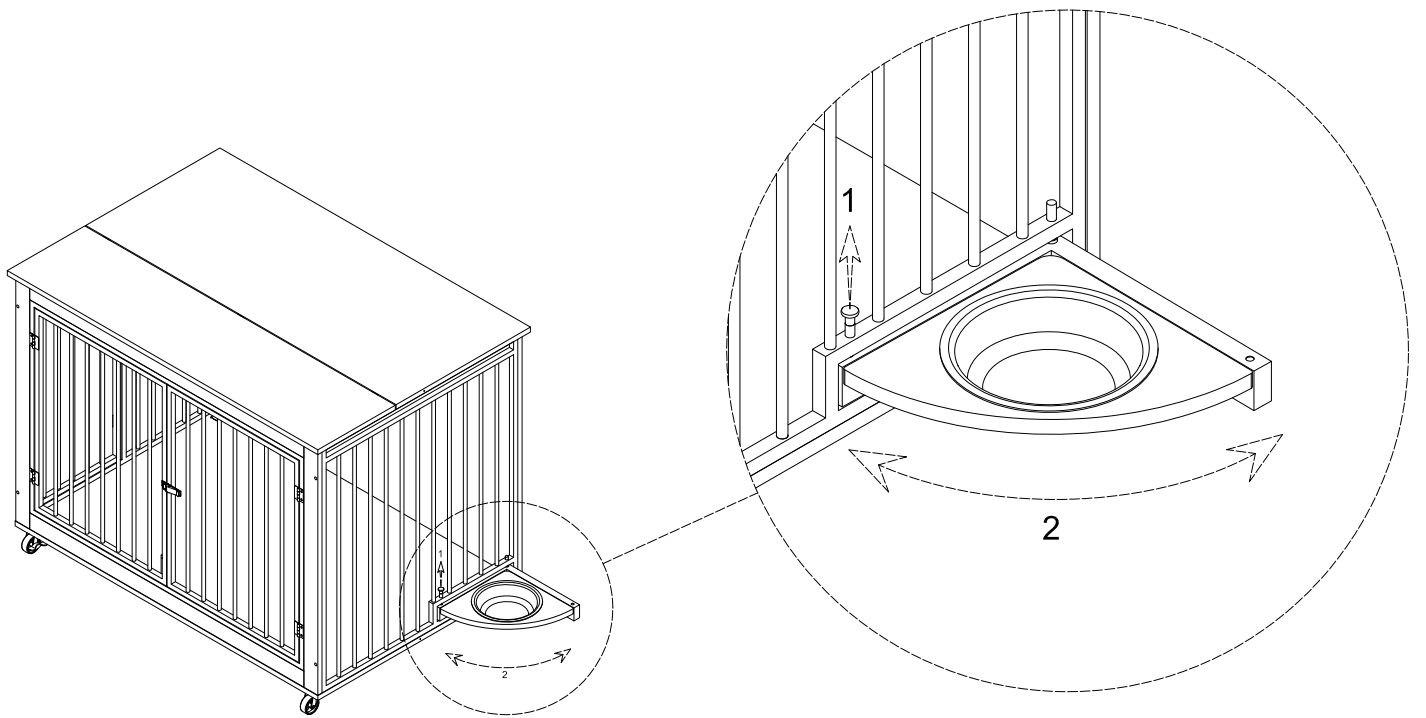




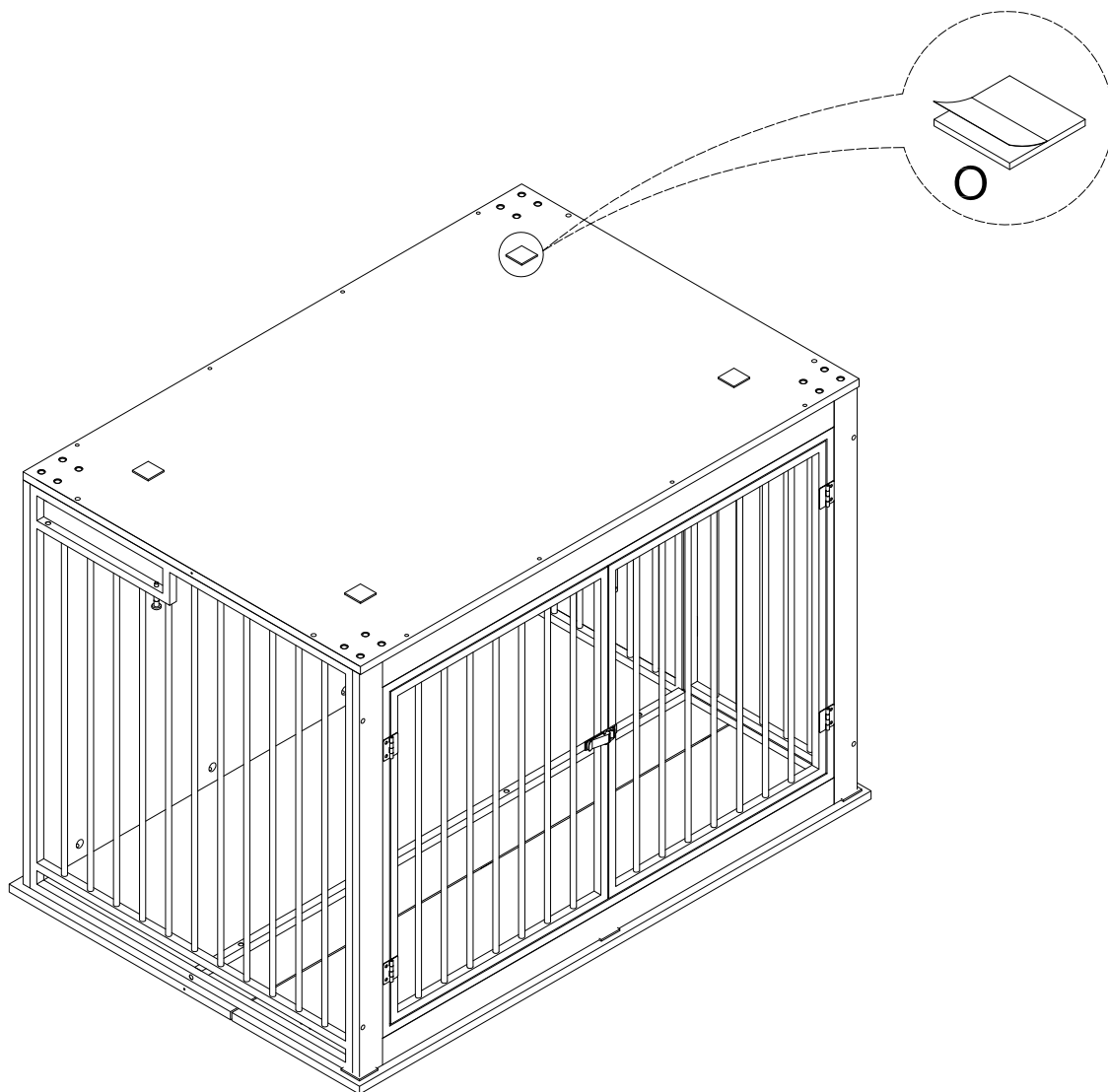
8

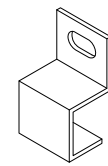
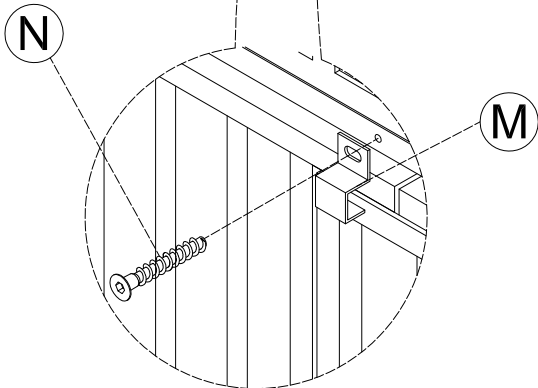
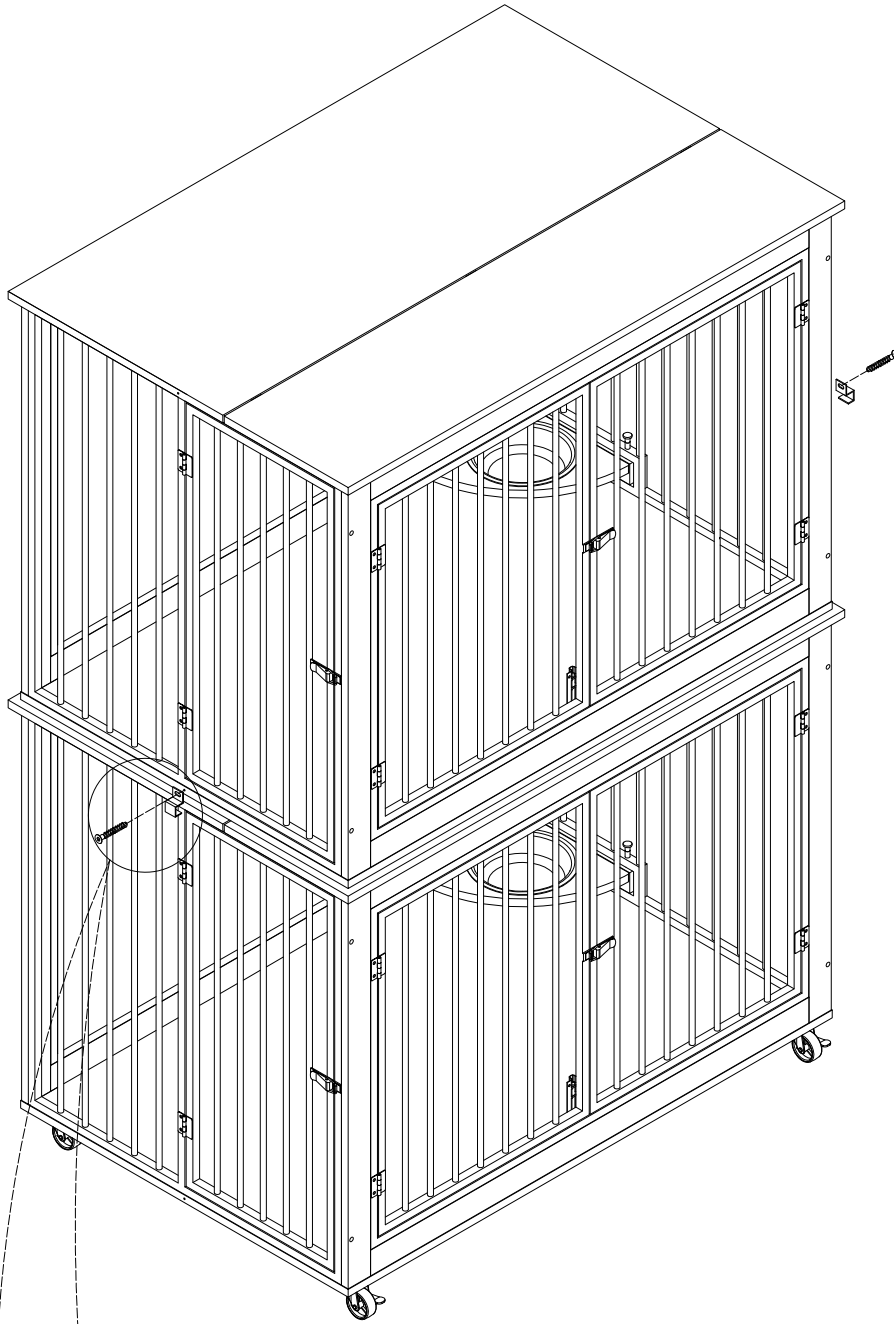


9



If you buy two dog cages can be stacked according to demand assembly





(M) X2



TS5\*30mm

(N) X2