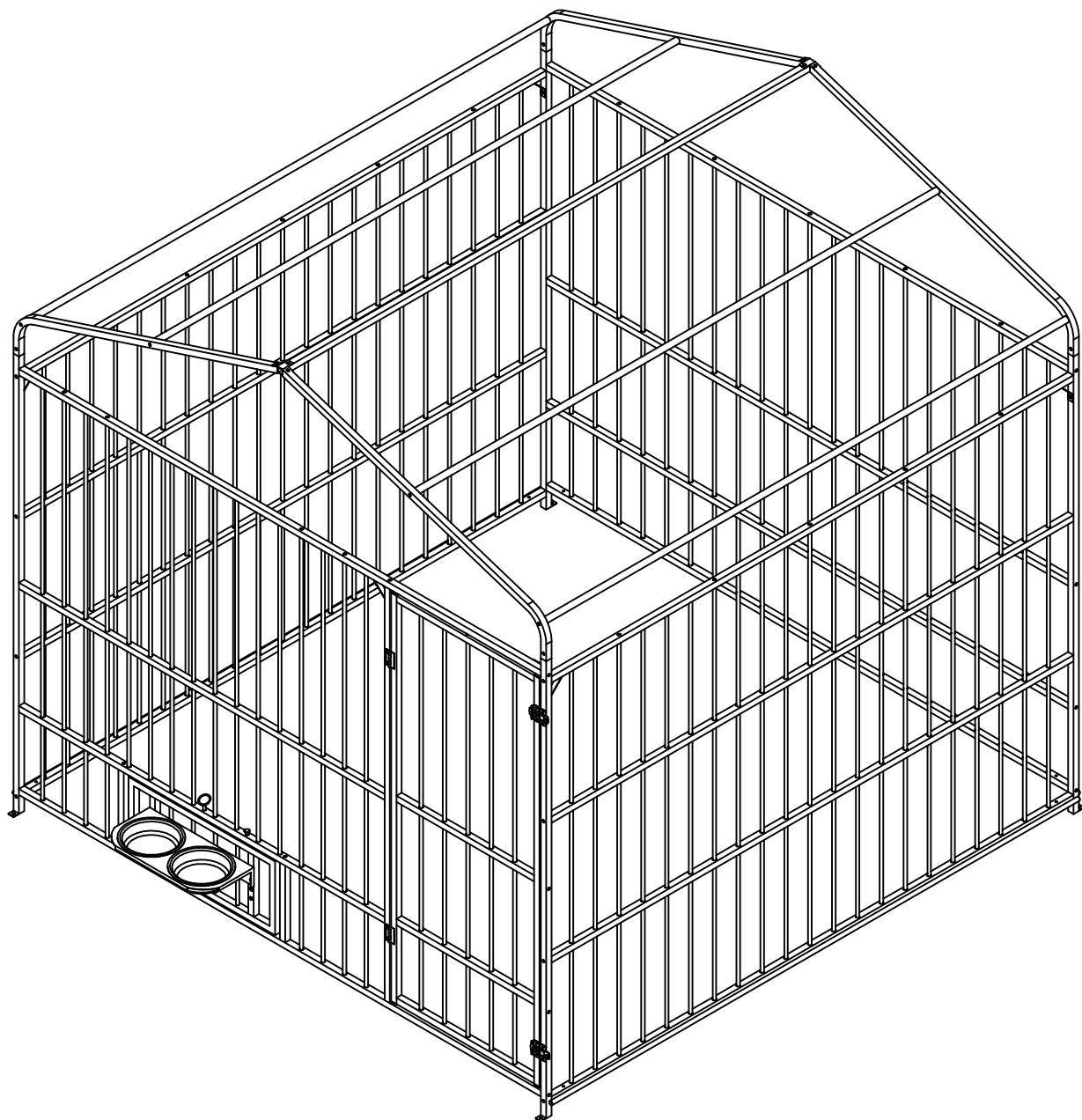


# Increase the outdoor dog cage



## General Guidelines

- Please read the following instruction carefully and use the product accordingly.
- Please keep this manual and hand it over when you transfer the product.
- This summary may not include every detail of all variations and considered steps. Please contact us when further information and help are needed.

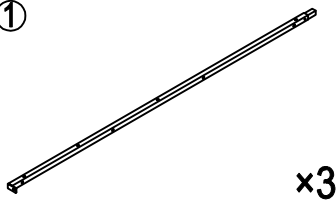
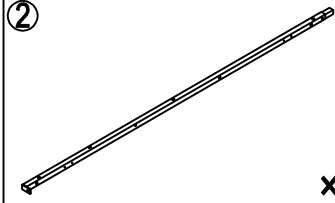
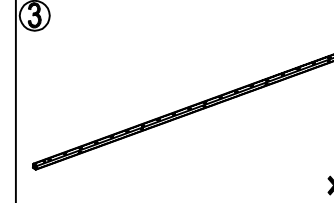
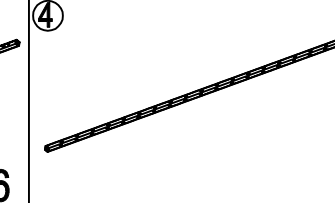
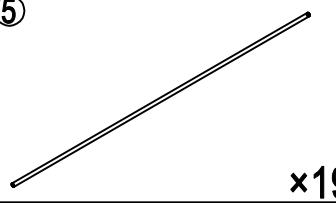
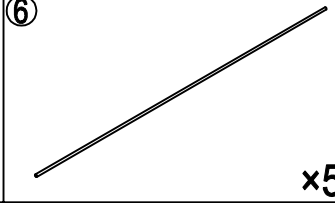
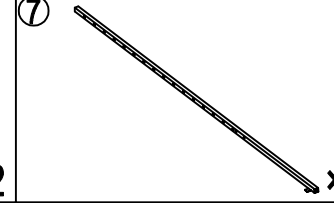
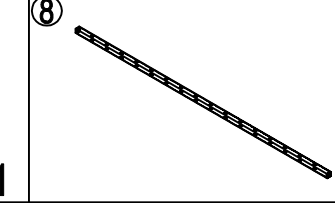
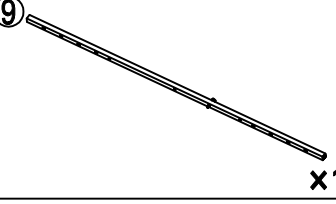
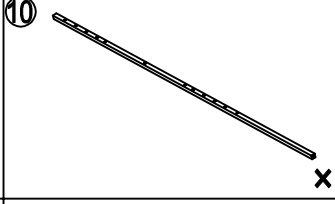
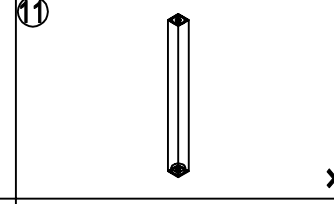
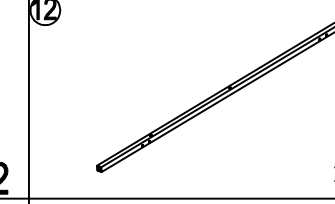
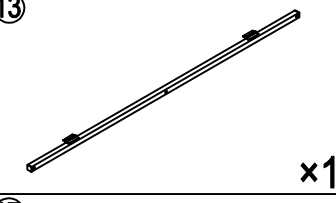
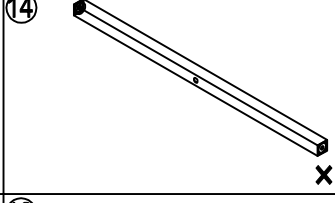
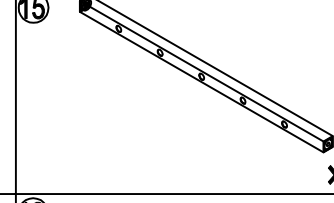
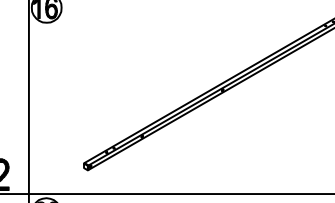
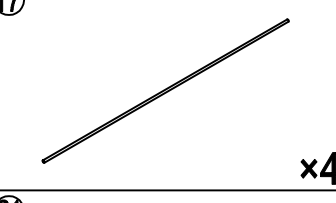
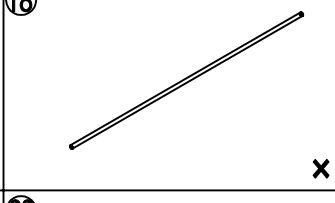
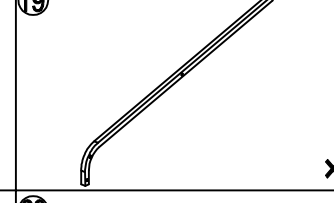
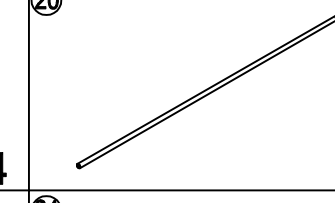
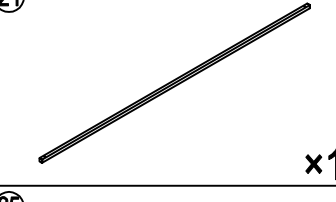
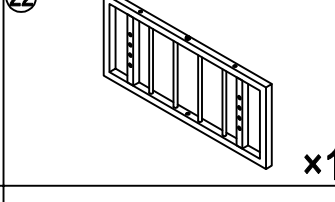
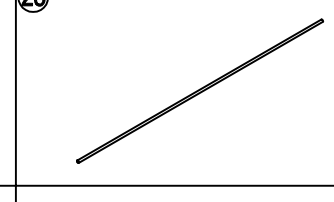
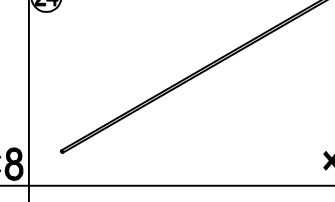
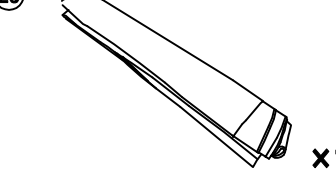
## Notes

- The product is intended for indoor use only. The product must be assembled and used in accordance with the provisions of the manual. Personal injury and/or damage to product may occur if products are used outside of their intended purposes and/or if products have been changed/modified from their original design. The seller does not assume any responsibility or liability with respect to any injury/damage caused by incorrect assembly or improper use.
- Avoid long-term exposure to humid environments to prevent mildew.
- Keep the product away from fire sources and high temperatures.
- Do not place any hot objects on the surface of the product.
- If there are any defective or missing parts after unpacking, please cease assembly immediately and contact us.
- Please assemble the item on a spacious surface and do not place the unwrapped product directly on the ground to avoid product damage.
- Please wear gloves during the assembly and/or disassembly process to avoid scratches from any sharp edges.
- Please match the corresponding part and fitting based on the part number in the manual.
- If the part does not match with the fitting, please check the piece as specified in this manual.
- During assembly, first loosely align all screws with the corresponding pre-drilled holes and then tighten the screws one by one.
- Periodically inspect screw tightness while the product is in use. If necessary, retighten to ensure structural integrity.
- Please keep the product away from sharp, pointed objects and corrosive substances to prevent product damage.
- Please place this item on level, solid ground during use.

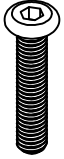
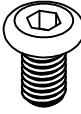

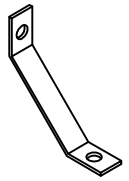
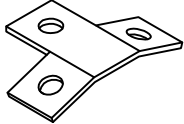
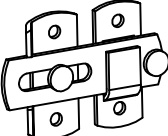
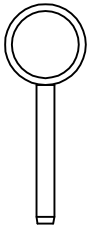
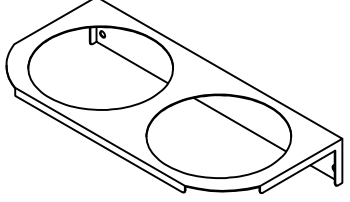
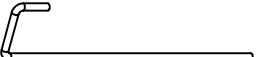
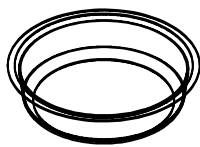
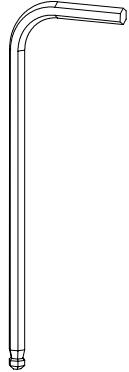
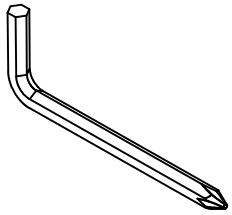
## Warnings

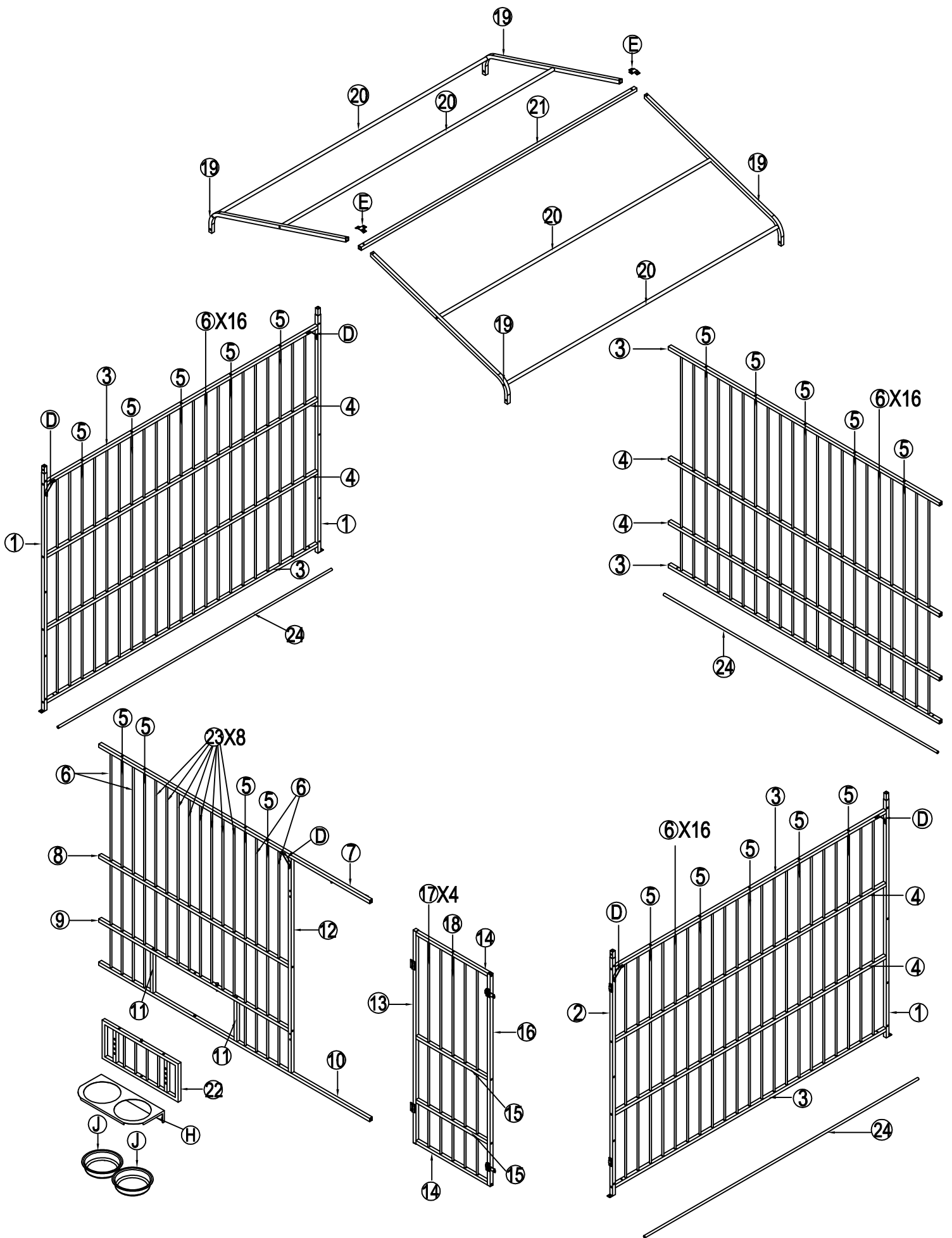
- During assembly, keep all small parts out of the reach of children. It may be fatal if swallowed or inhaled.
- To avoid the potential dangers of suffocation, please keep all parts and packaging (film, plastic bags, foam, etc.) away from babies and children.
- Keep sharp objects and corrosive items away from the product to avoid any damage or injury.
- Do not shake or move violently during use to avoid tipping over the product.

# Part list

①  x3	②  x1	③  x6	④  x6
⑤  x19	⑥  x52	⑦  x1	⑧  x1
⑨  x1	⑩  x1	⑪  x2	⑫  x1
⑬  x1	⑭  x2	⑮  x2	⑯  x1
⑰  x4	⑱  x1	⑲  x4	⑳  x4
㉑  x1	㉒  x1	㉓  x8	㉔  x3
㉕  x1			

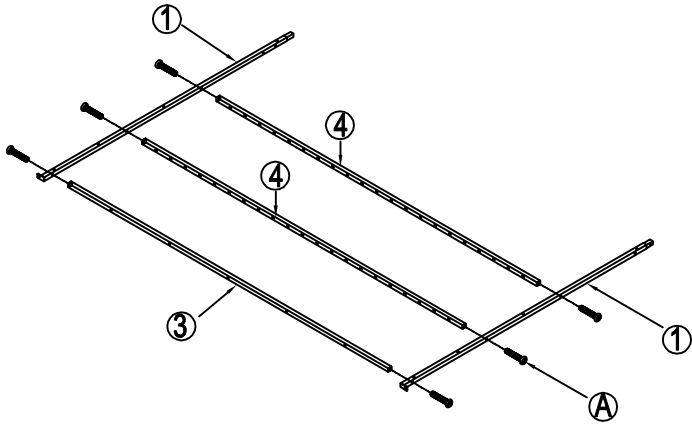
# Hardware list

<p>(A)</p>  <p>M6*30mm</p> <p>x54</p>	<p>(B)</p>  <p>M6*10mm</p> <p>x64</p>	<p>(C)</p>  <p>M4*10mm</p> <p>x12</p>	<p>(D)</p>  <p>x5</p>
<p>(E)</p>  <p>x2</p>	<p>(F)</p>  <p>x2</p>	<p>(G)</p>  <p>x2</p>	<p>(H)</p>  <p>x1</p>
<p>(I)</p>  <p>x10</p>	<p>(J)</p>  <p>x2</p>	 <p>x1</p>	 <p>x1</p>



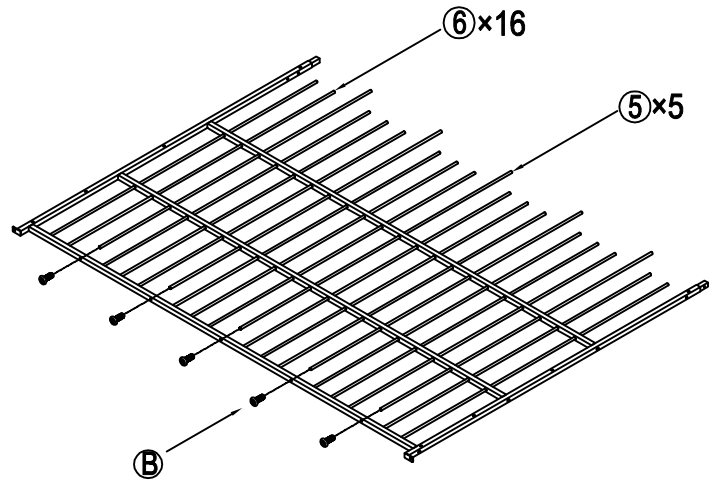
### STEP 1

 M6\*30mm  
**A**x6



### STEP 2

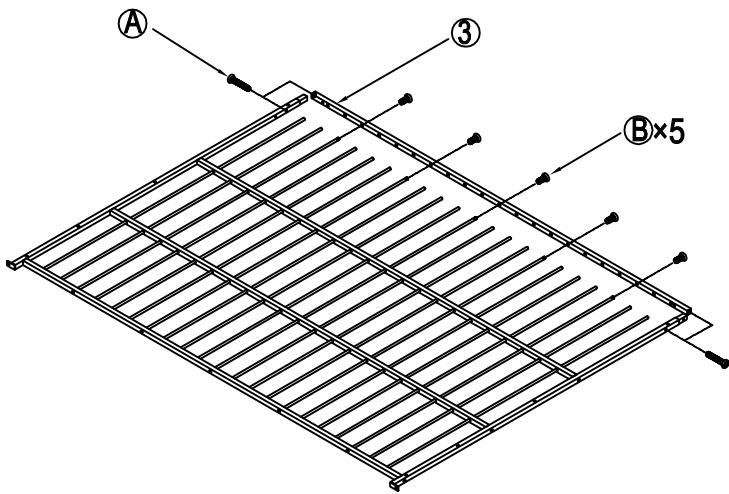
 M6\*10mm  
**B**x5



### STEP 3

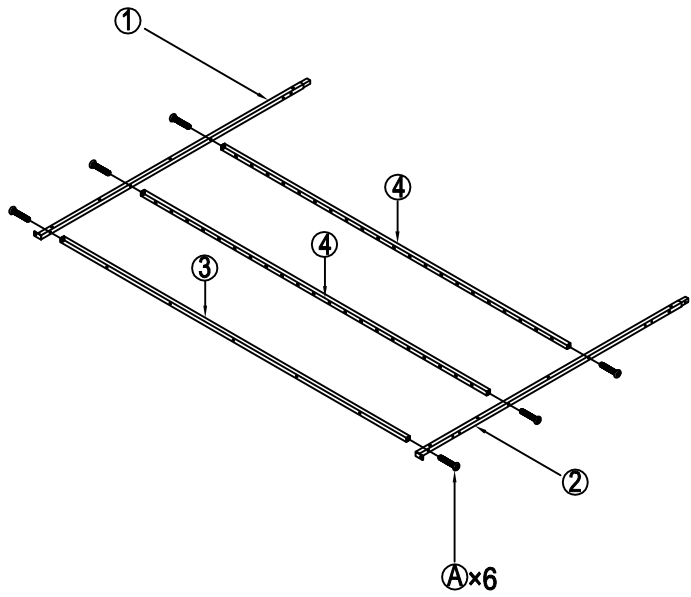
 M6\*30mm  
**A**x2

 M6\*10mm  
**B**x5



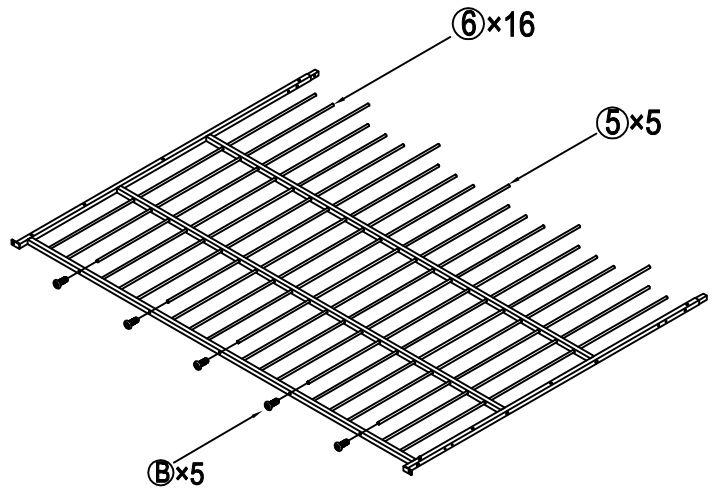
### STEP 4

 M6\*30mm  
**(A)×6**





### STEP 5

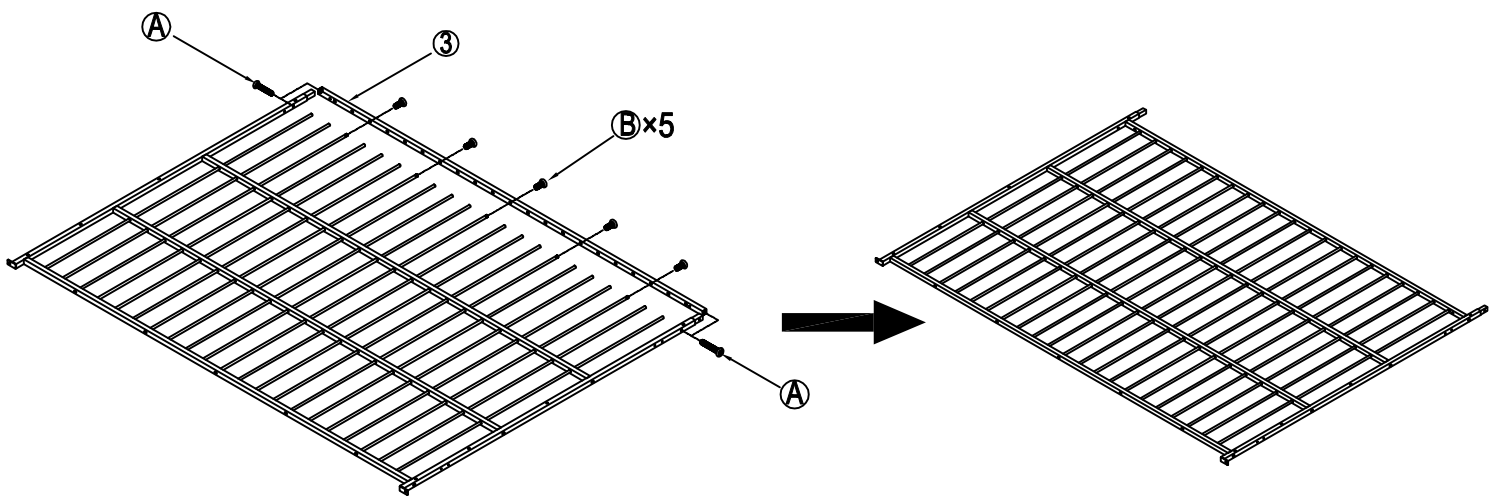
 M6\*10mm  
**(B)×5**



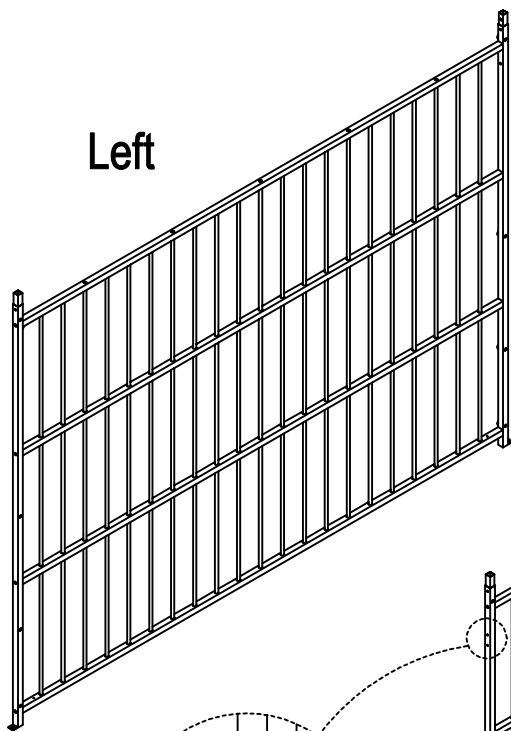
### STEP 6

 M6\*30mm  
**(A)×2**

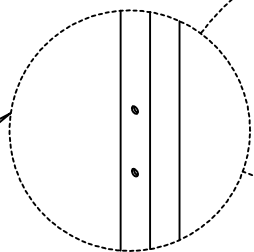
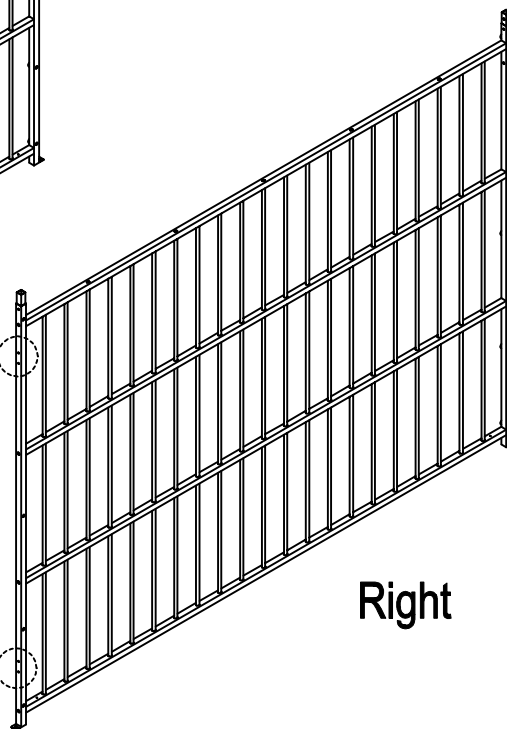
 M6\*10mm  
**(B)×5**



Left

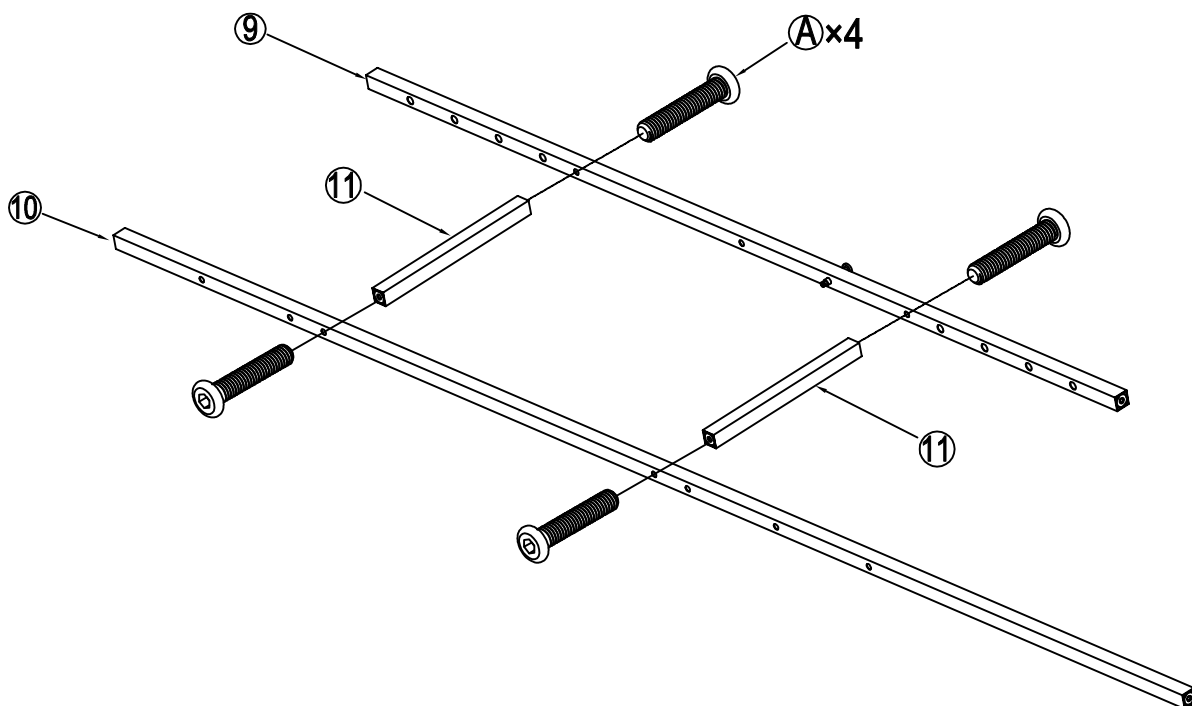


Right



Note: The difference between tube No. 1 and tube No. 2 is here

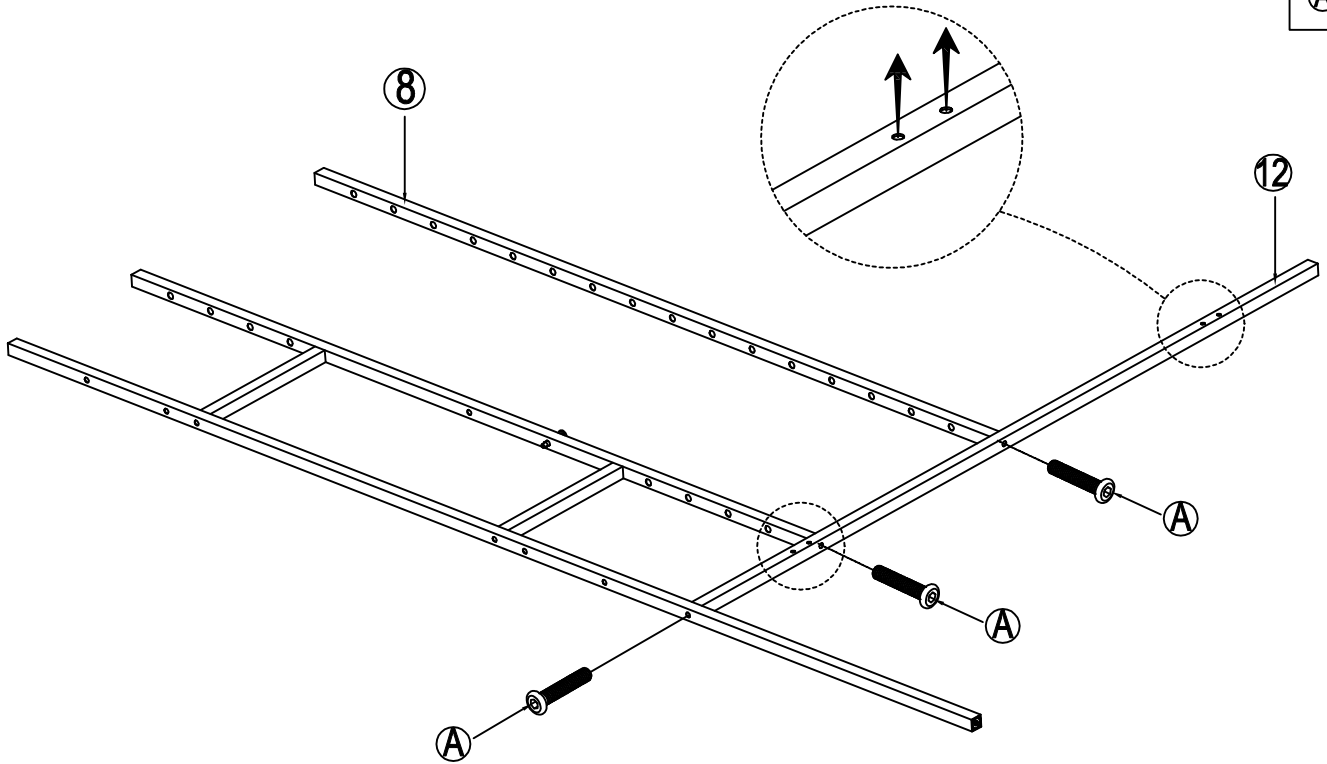
### STEP 7





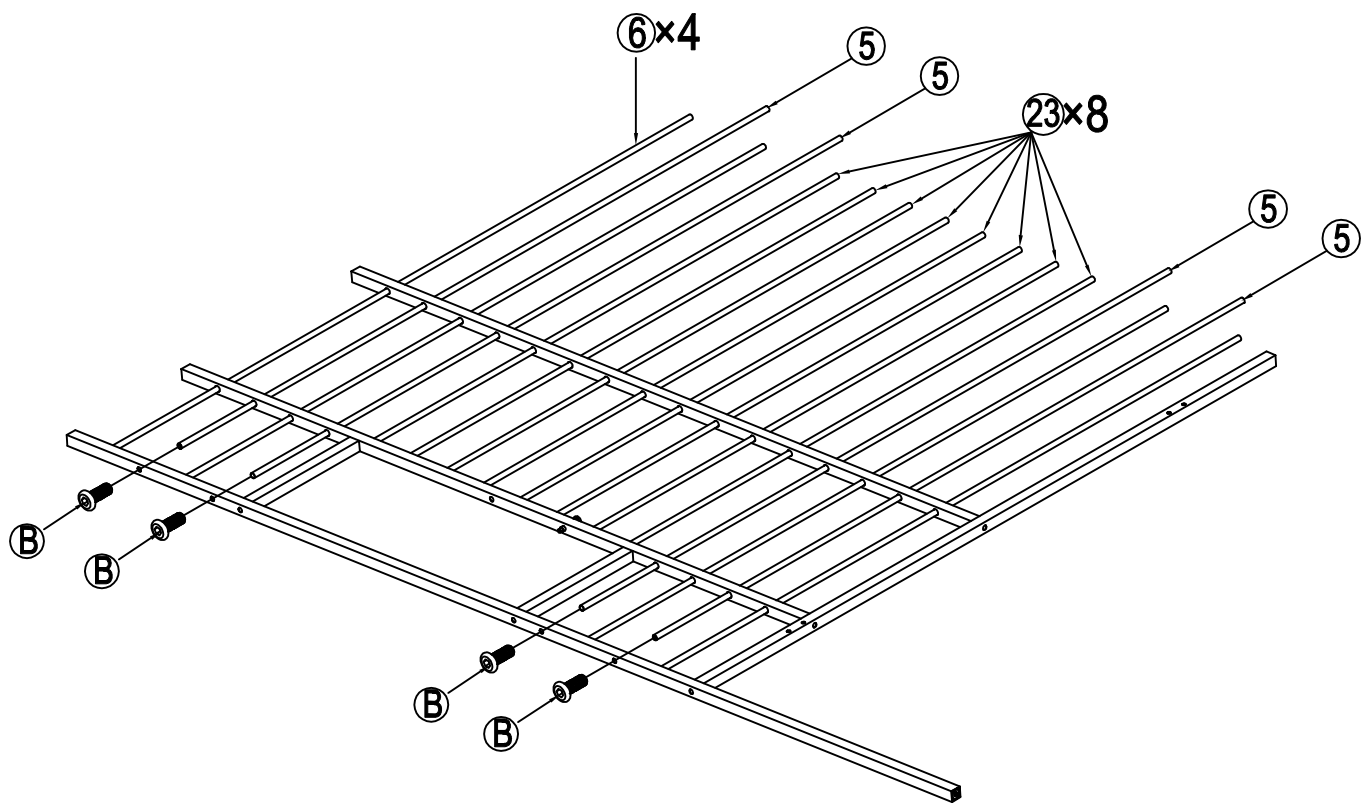
# STEP 8

M6\*30mm  
A x 3





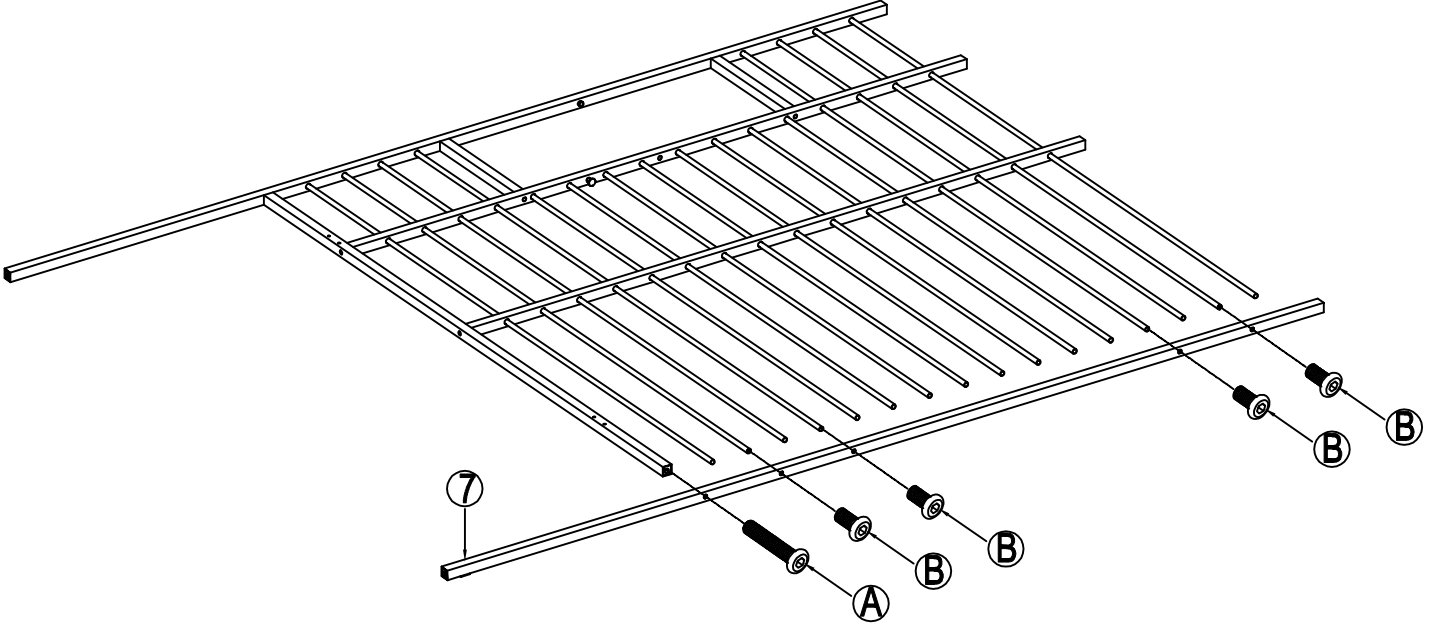
# STEP 9

M6\*10mm  
B x 4




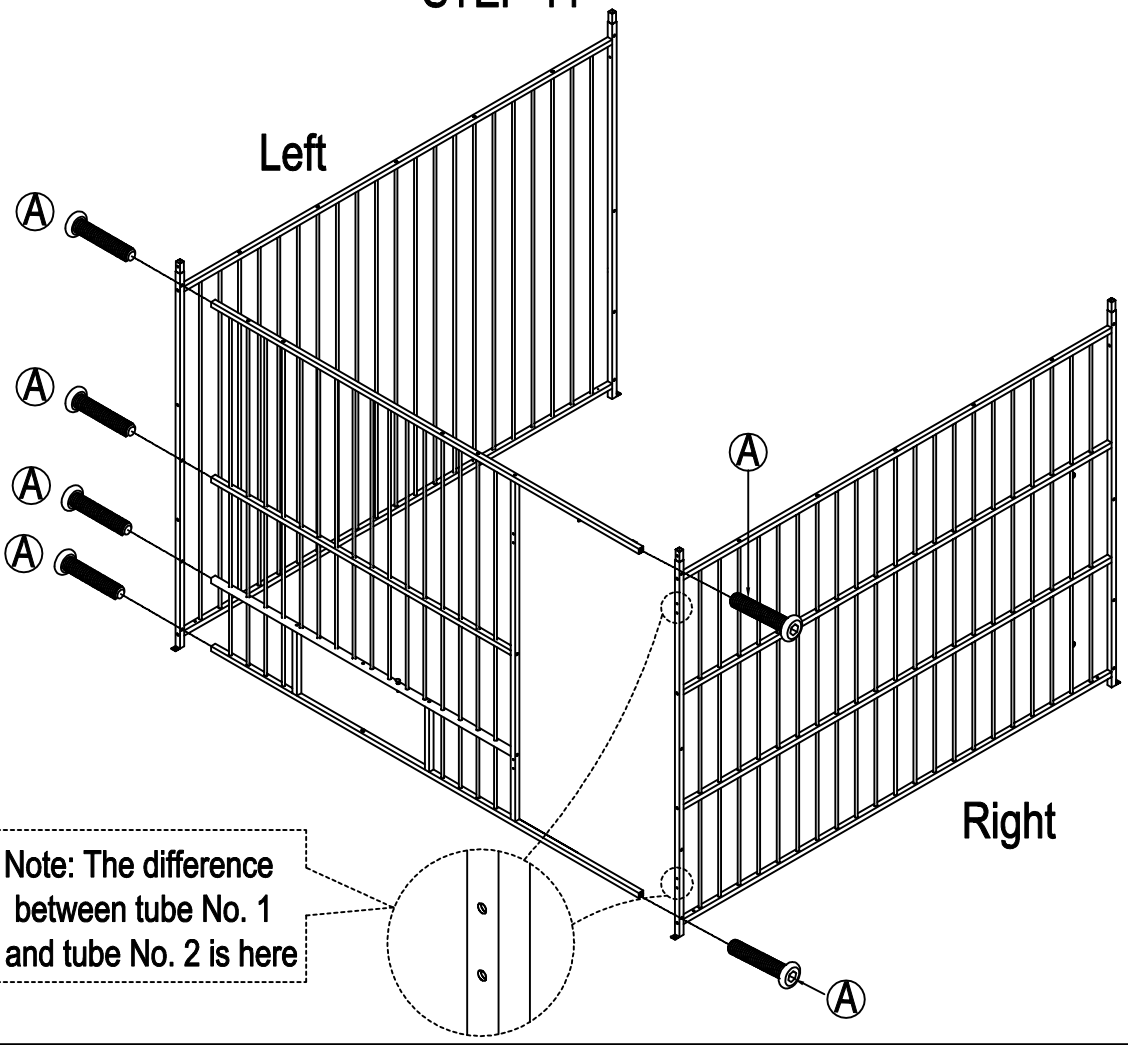
# STEP 10

 M6*30mm	 M6*10mm
<b>A</b> ×1	<b>B</b> ×4



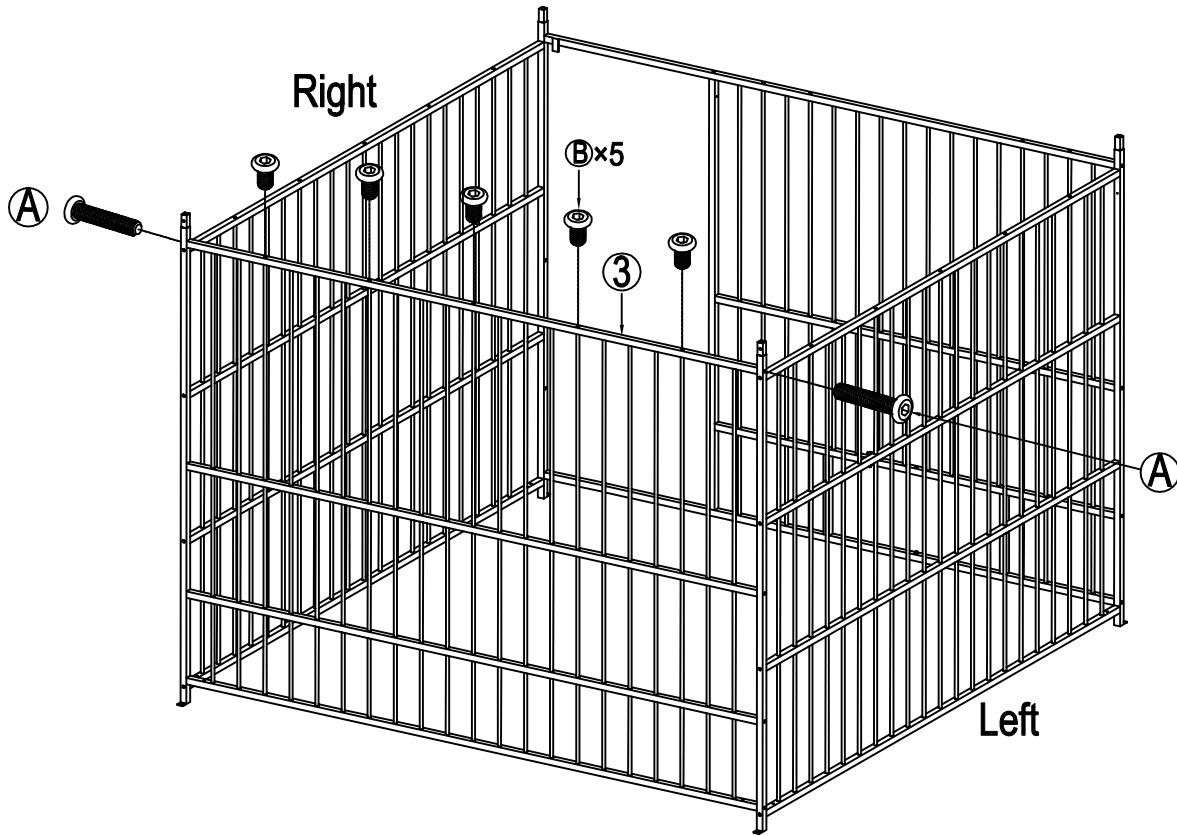
# STEP 11

 M6*30mm
<b>A</b> ×6

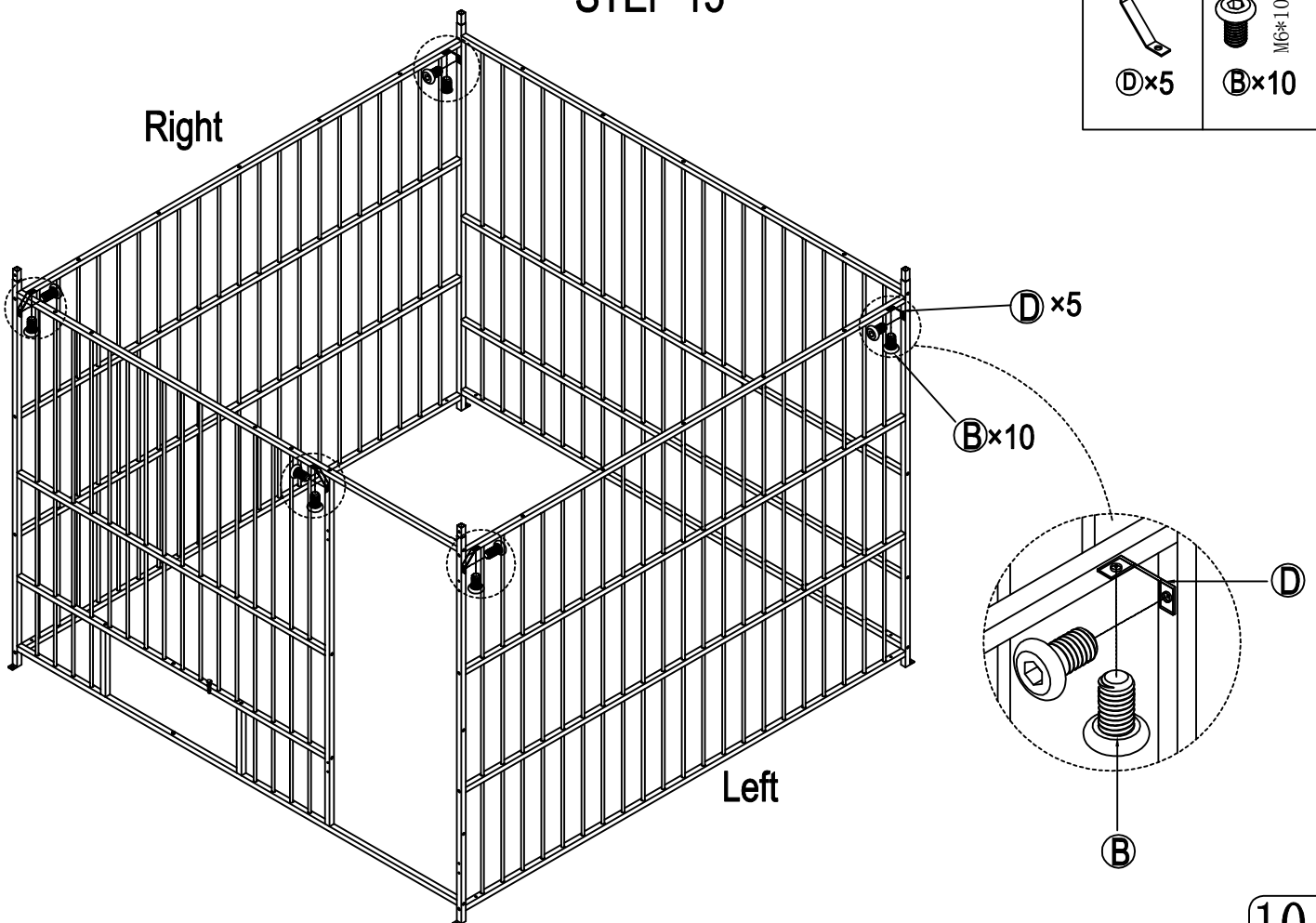




# STEP 14

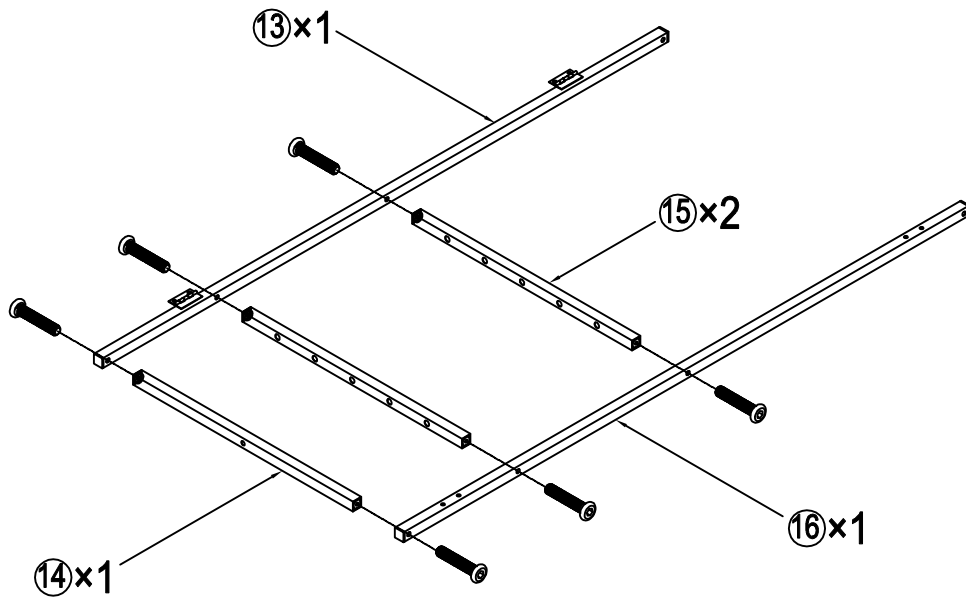


# STEP 15



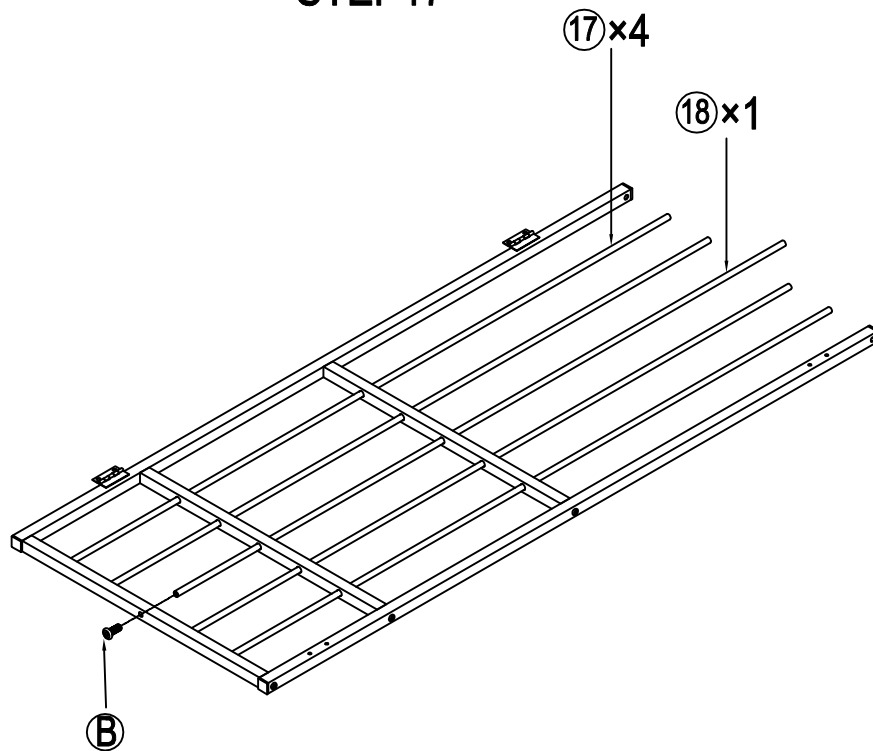
# STEP 16

 M6\*30mm  
**A**x6



# STEP17

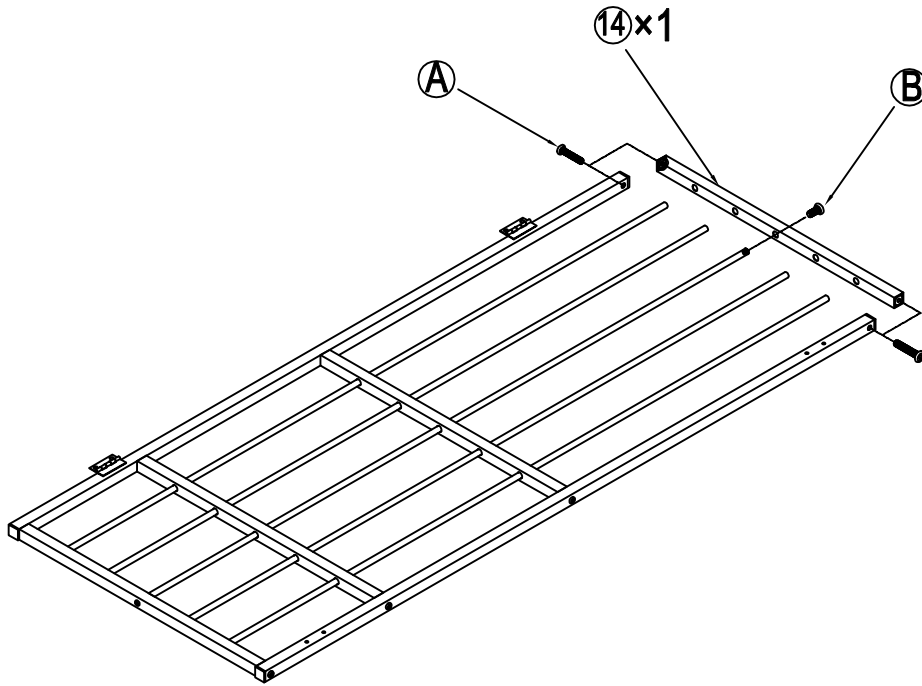
 M6\*10mm  
**B**x1



# STEP18

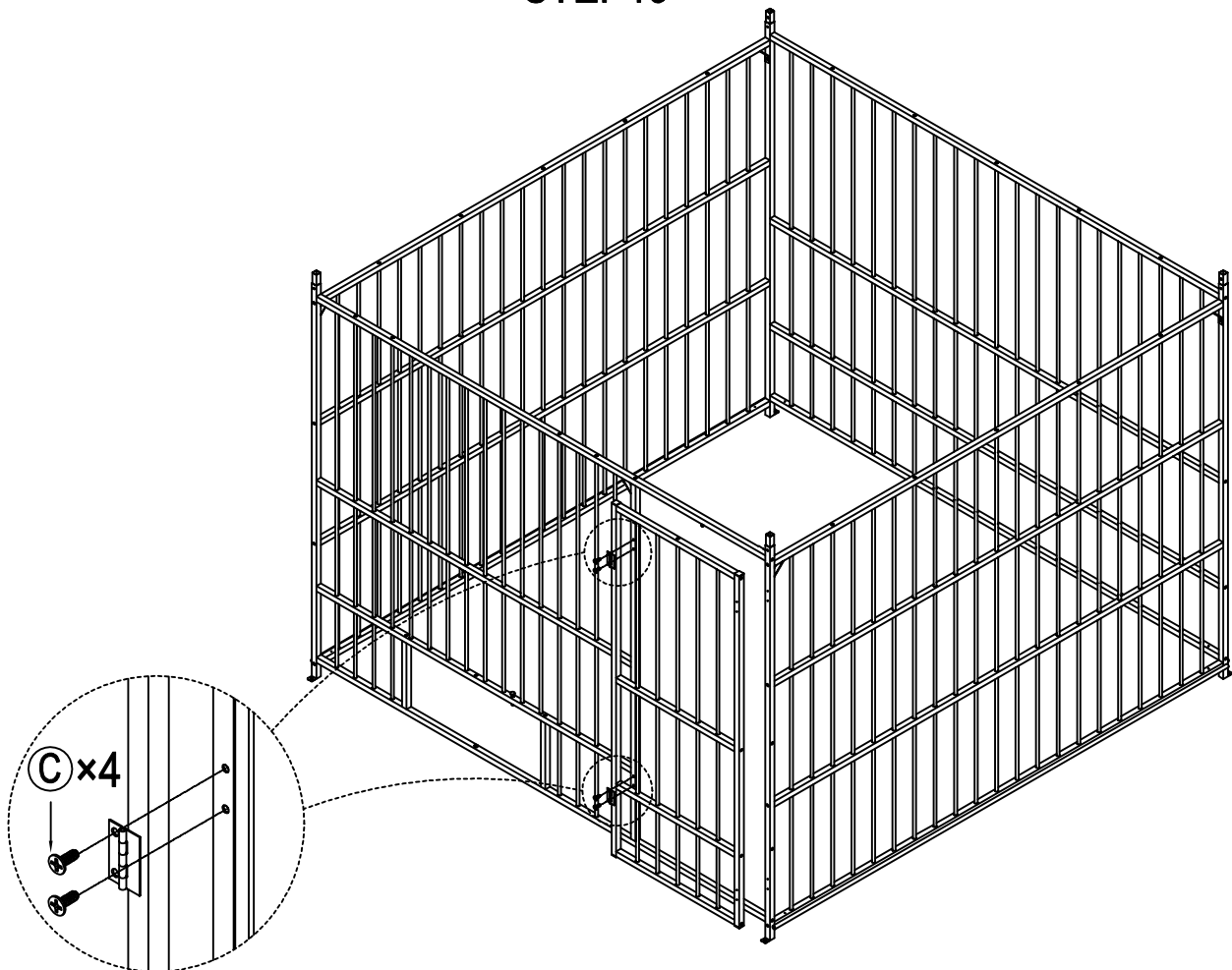
 M6\*30mm  
**A**x2

 M6\*10mm  
**B**x1



# STEP19

 M4\*10mm  
**C**x4



# STEP20

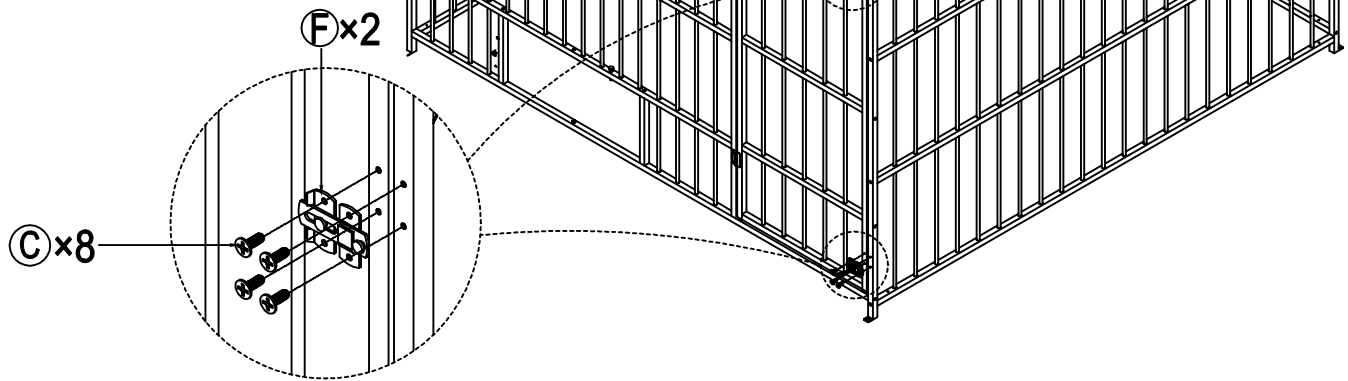


F x 2



M4 x 10mm

C x 8

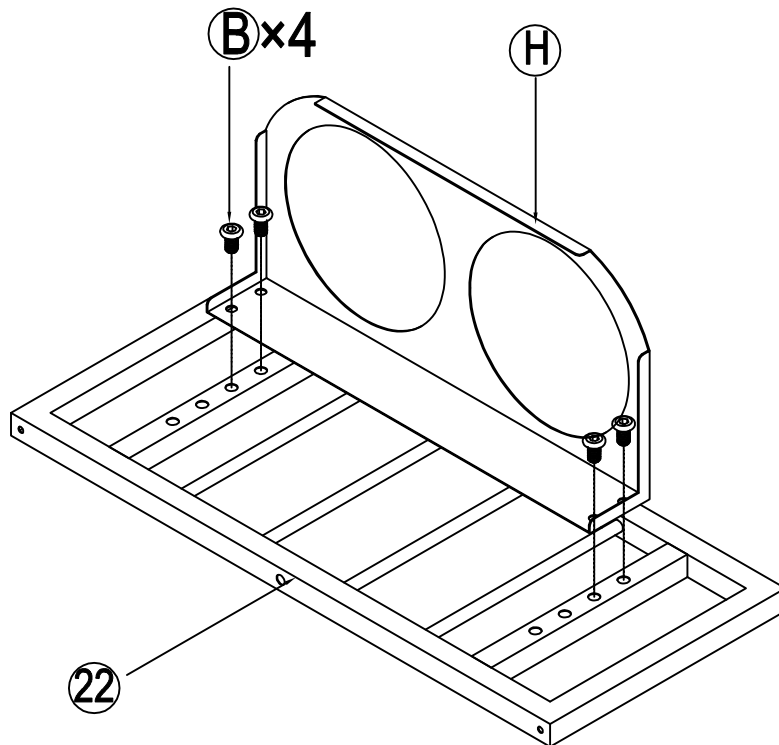


# STEP21

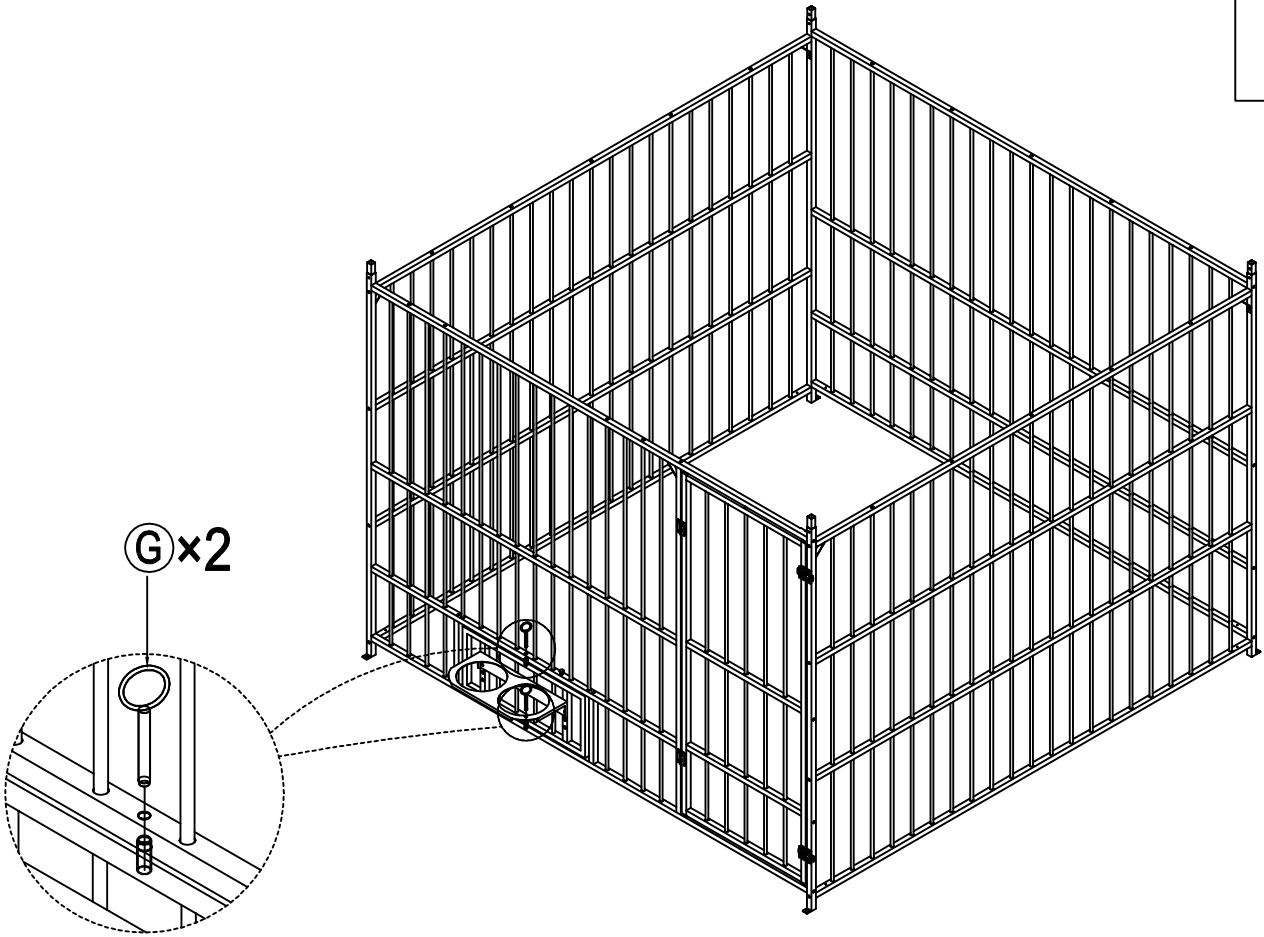
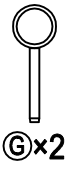


M6 x 10mm

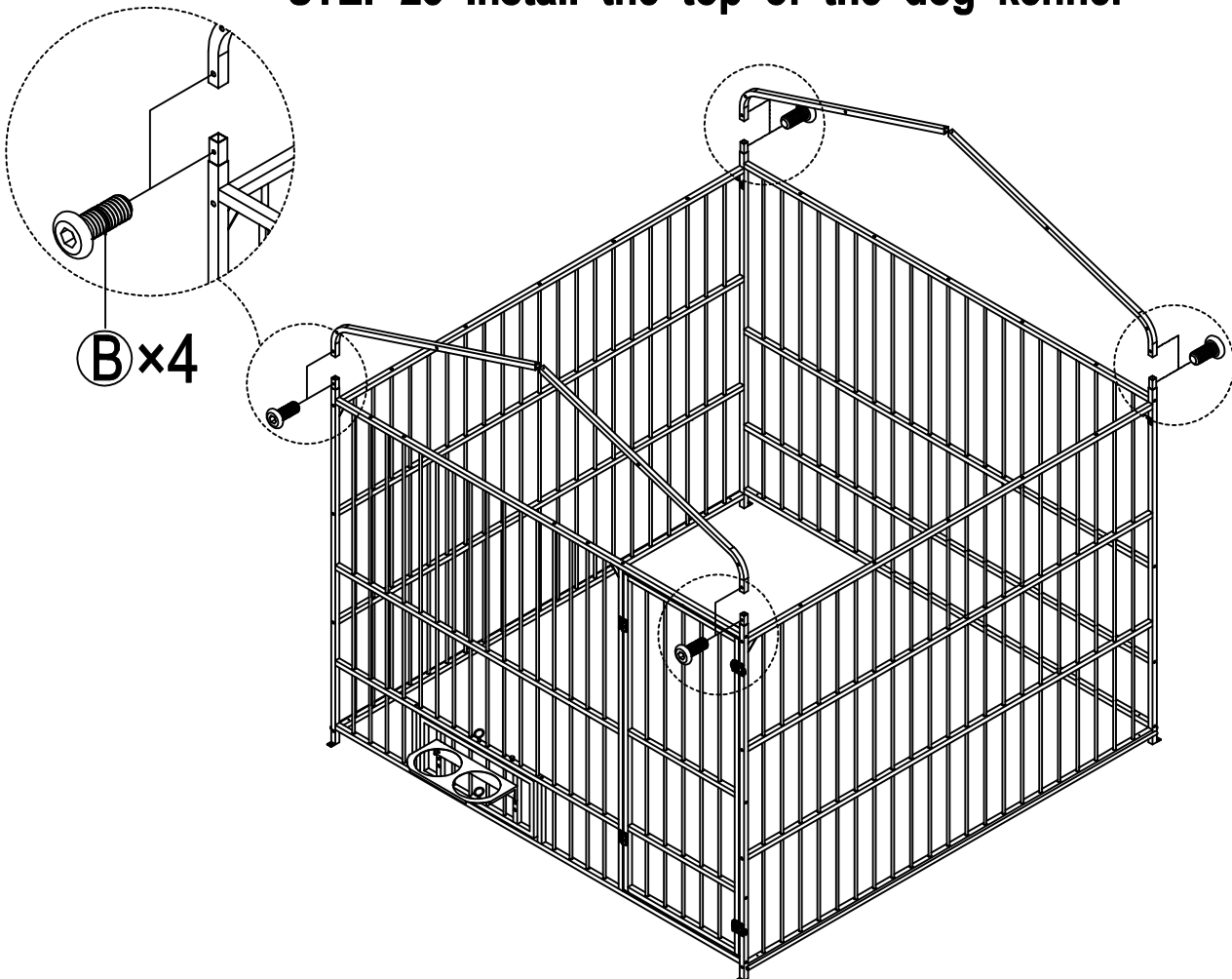
B x 4



# STEP22



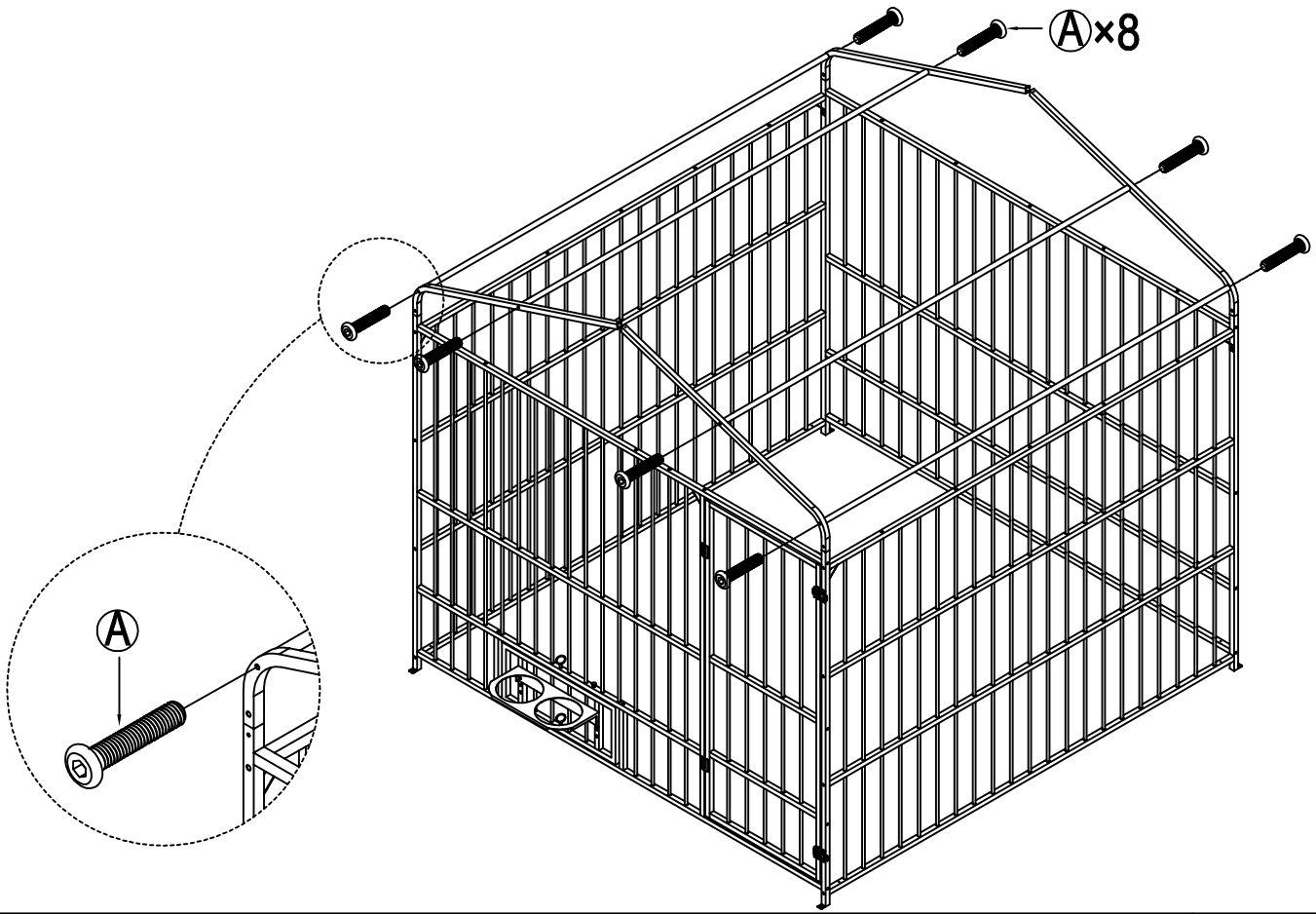
# STEP 23 Install the top of the dog kennel





# STEP 24 Install the top of the dog kennel

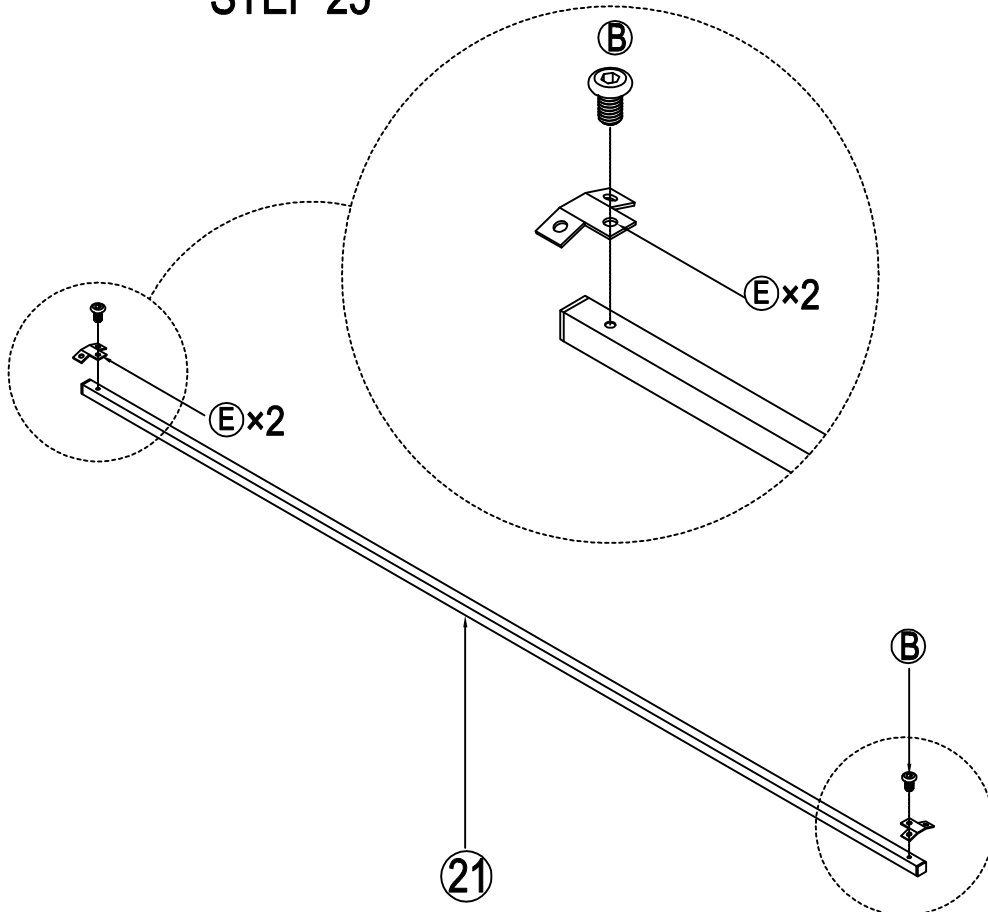
M6\*30mm  
A×8



# STEP 25

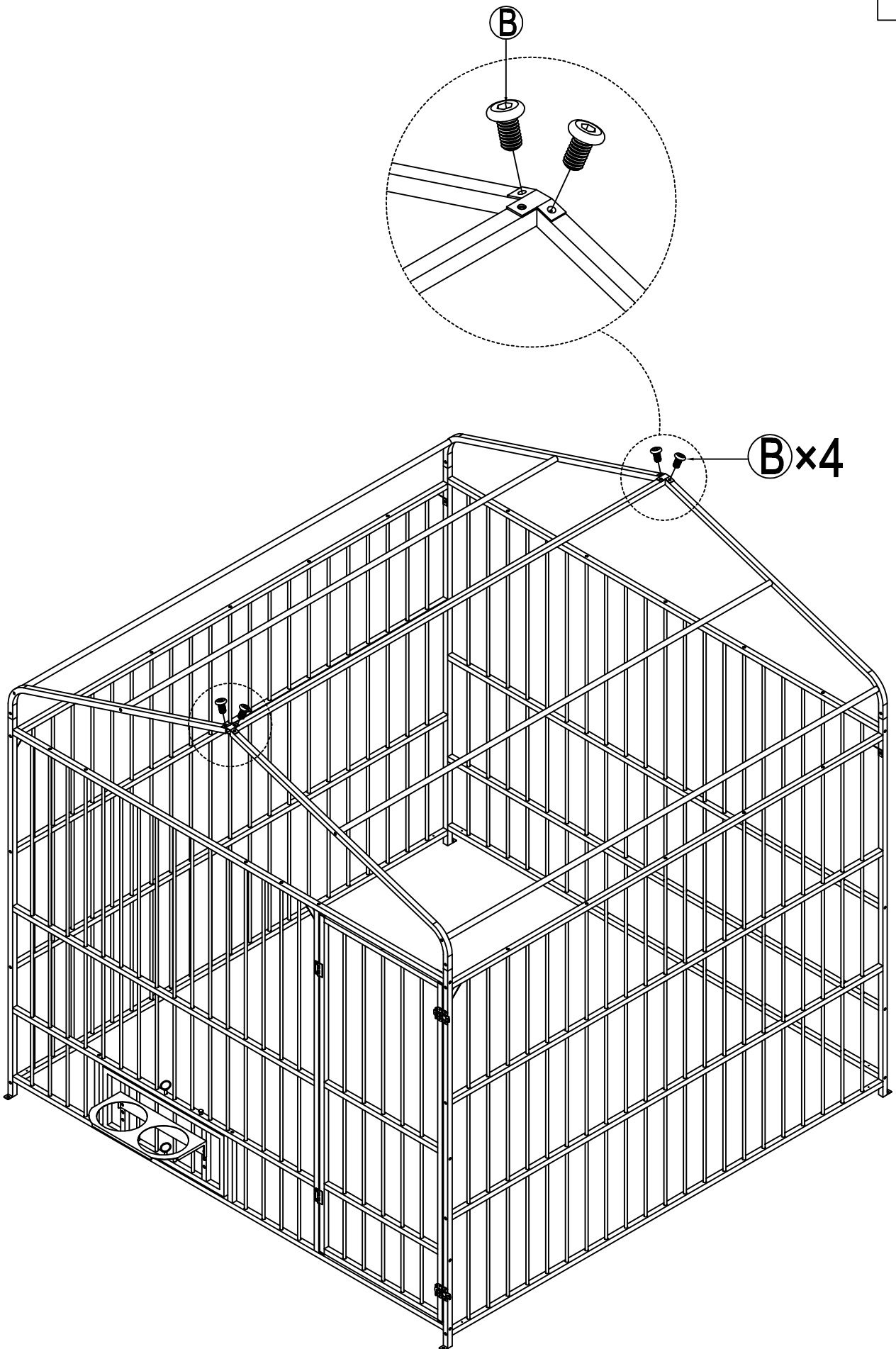
E×2

M6\*10mm  
B×2

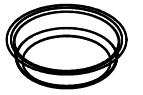


# STEP 26

 M6\*10mm  
**B**x4

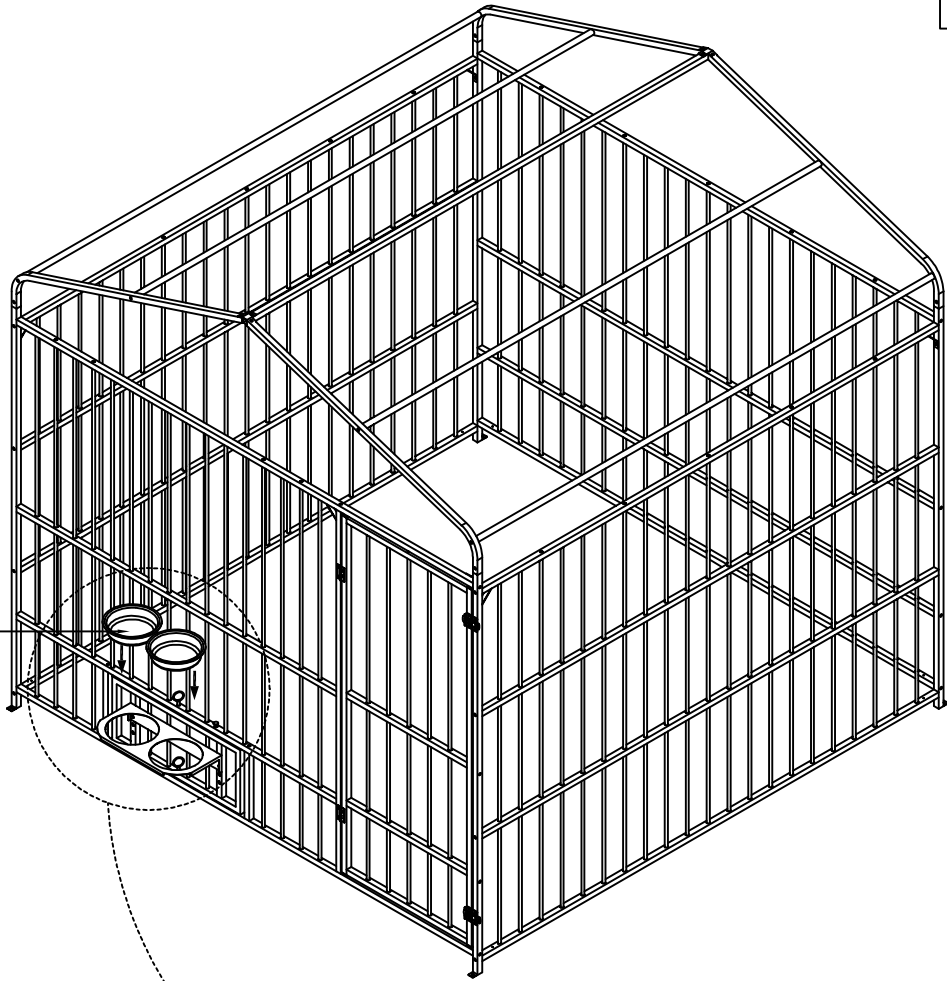


# STEP 27

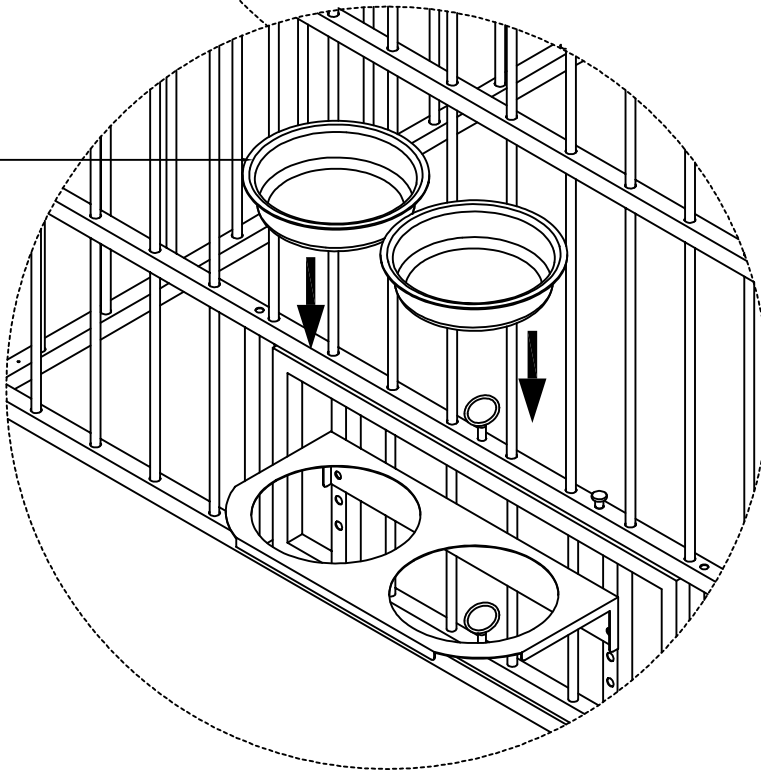


ⓐx2

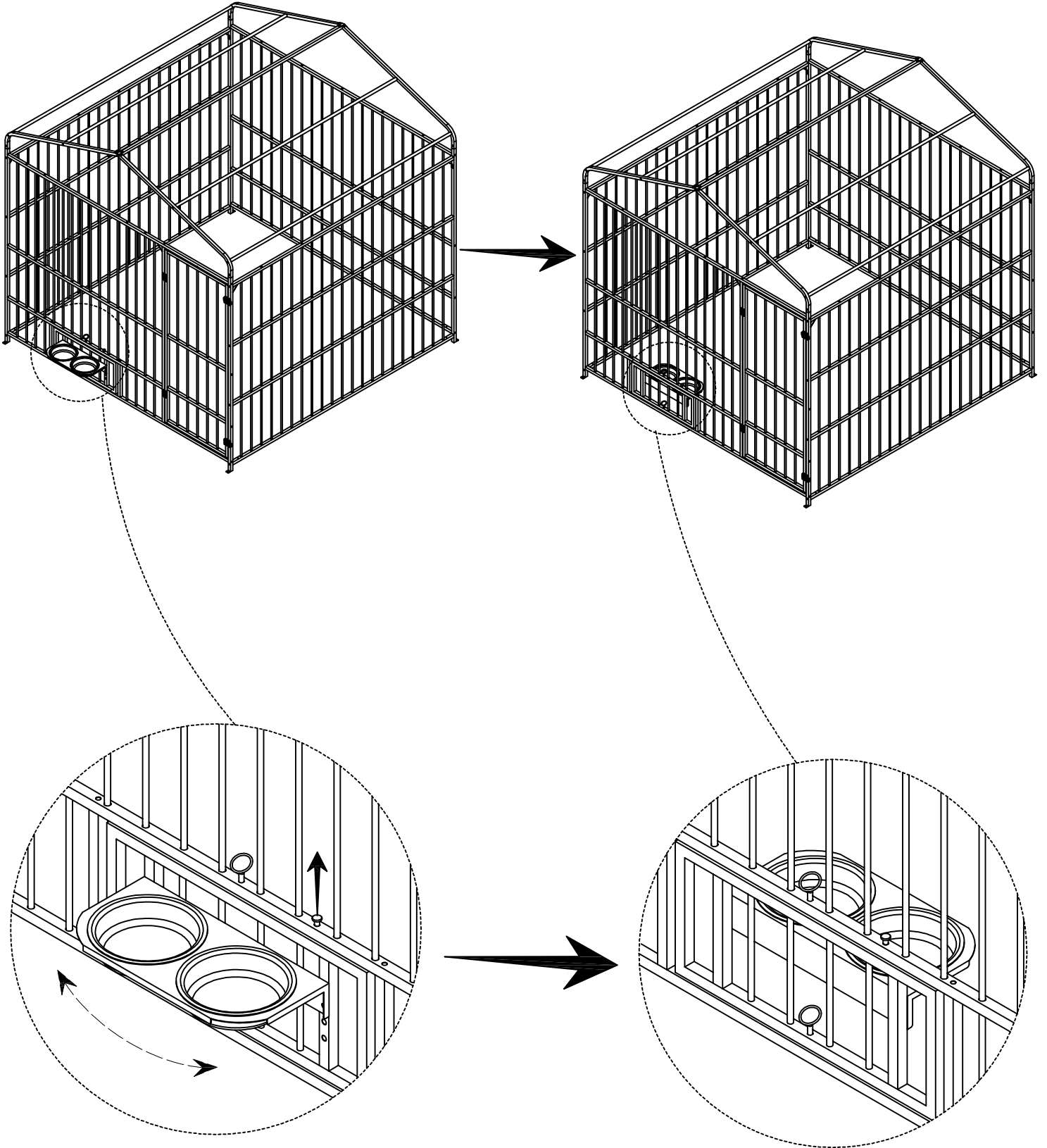
ⓐx2



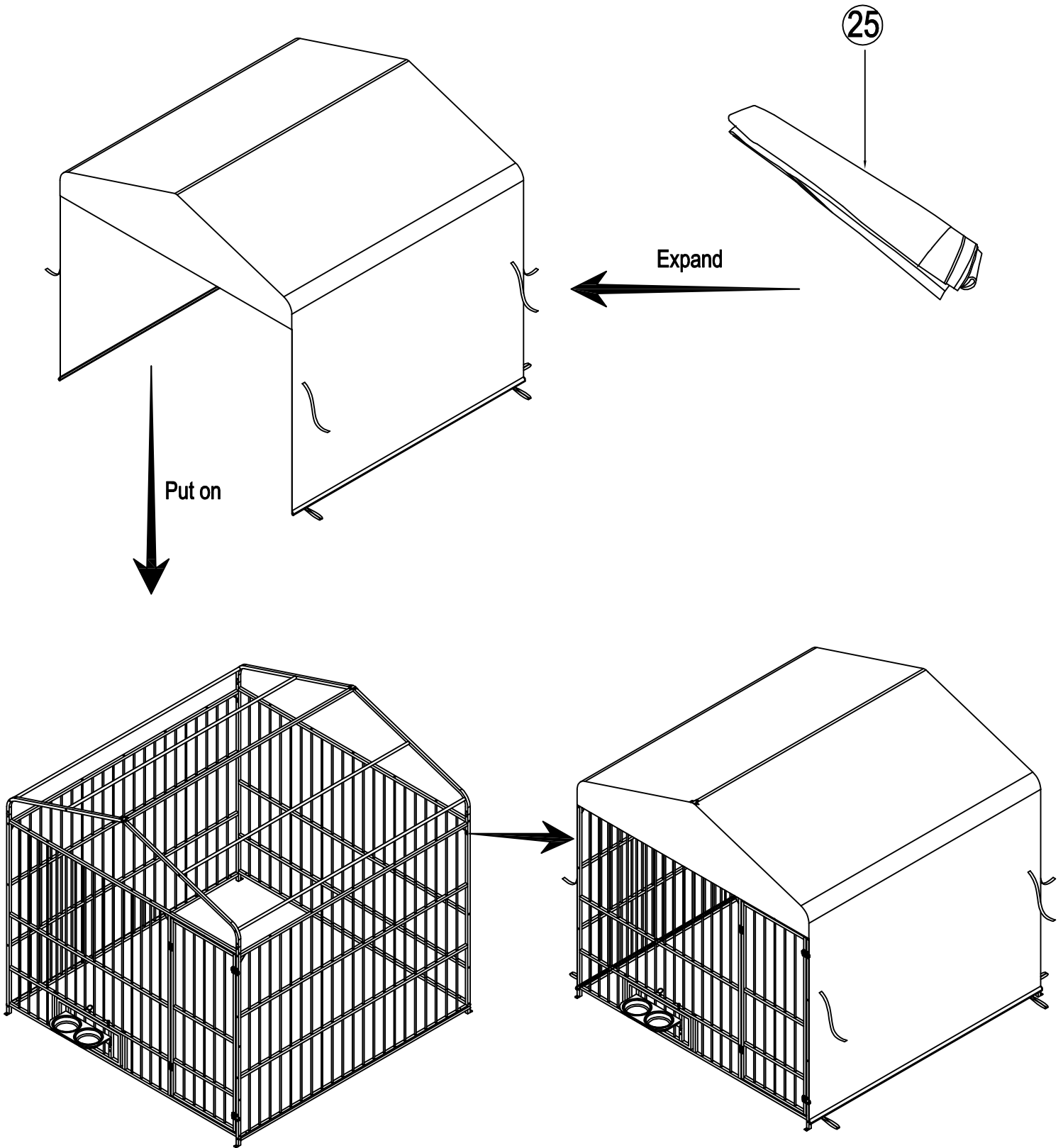
ⓐx2



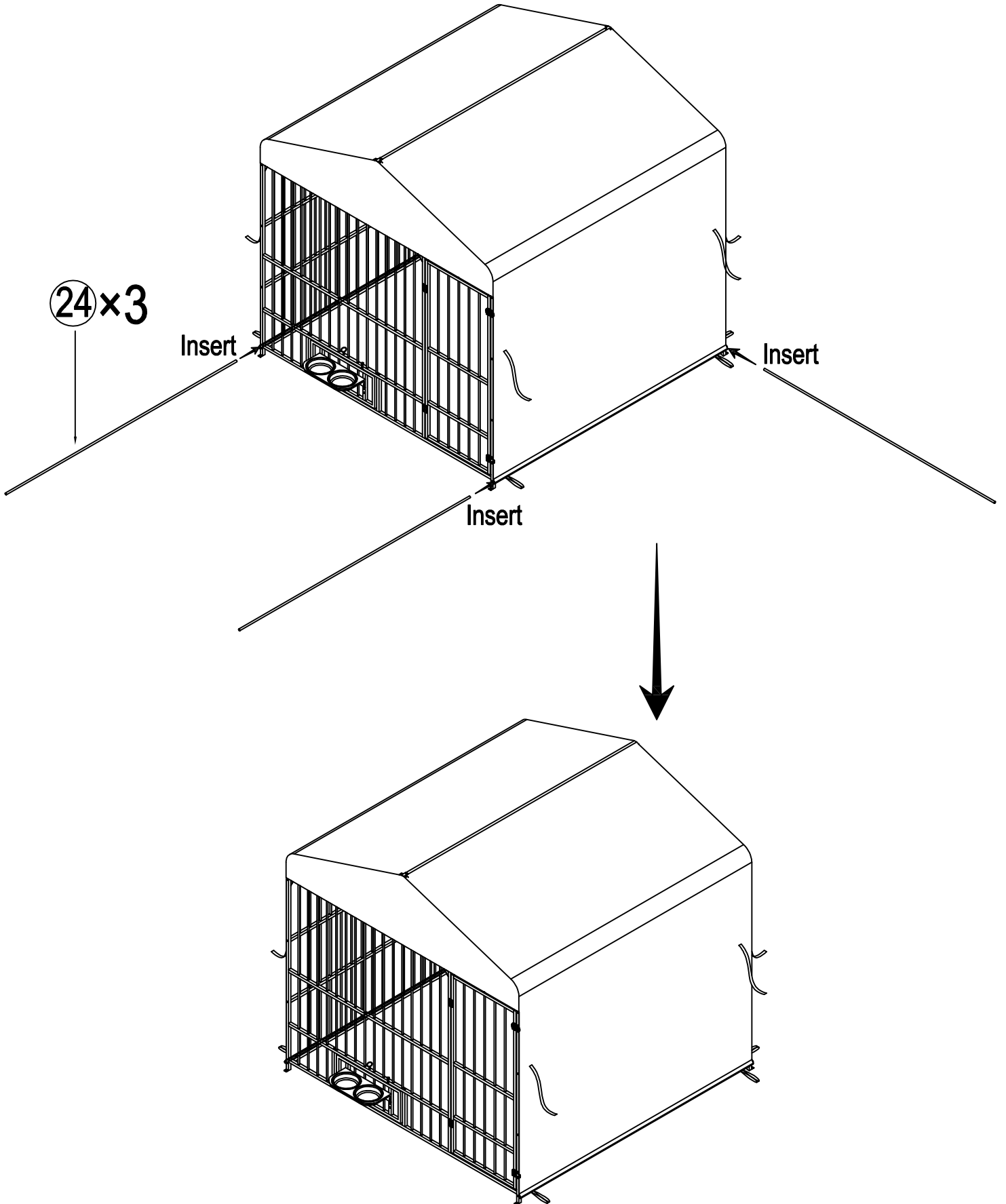
STEP 28



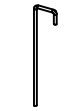
# STEP 29



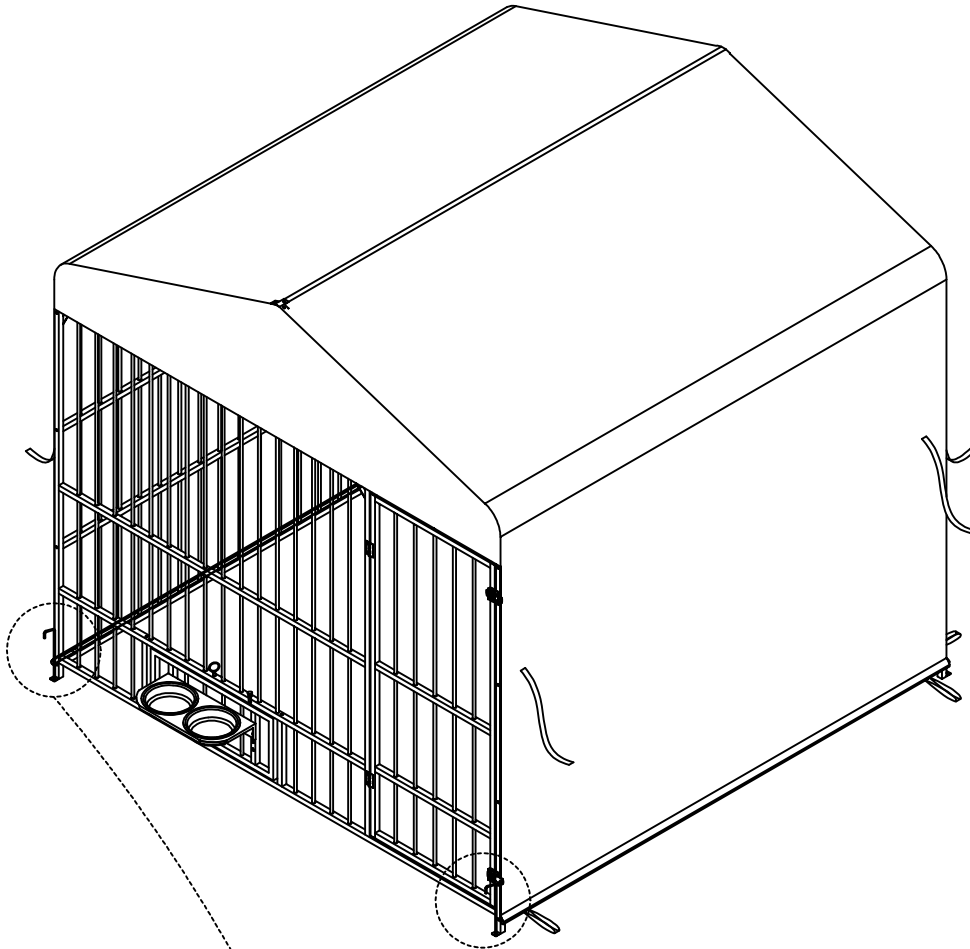
# STEP 30



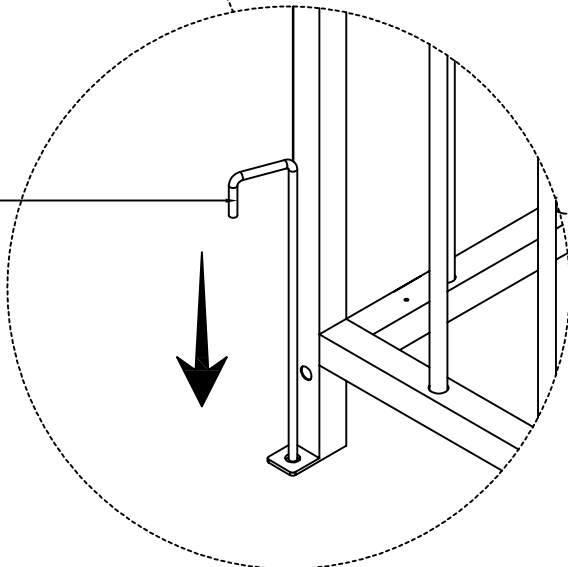
STEP 31



①x4



①x4



STEP 32

