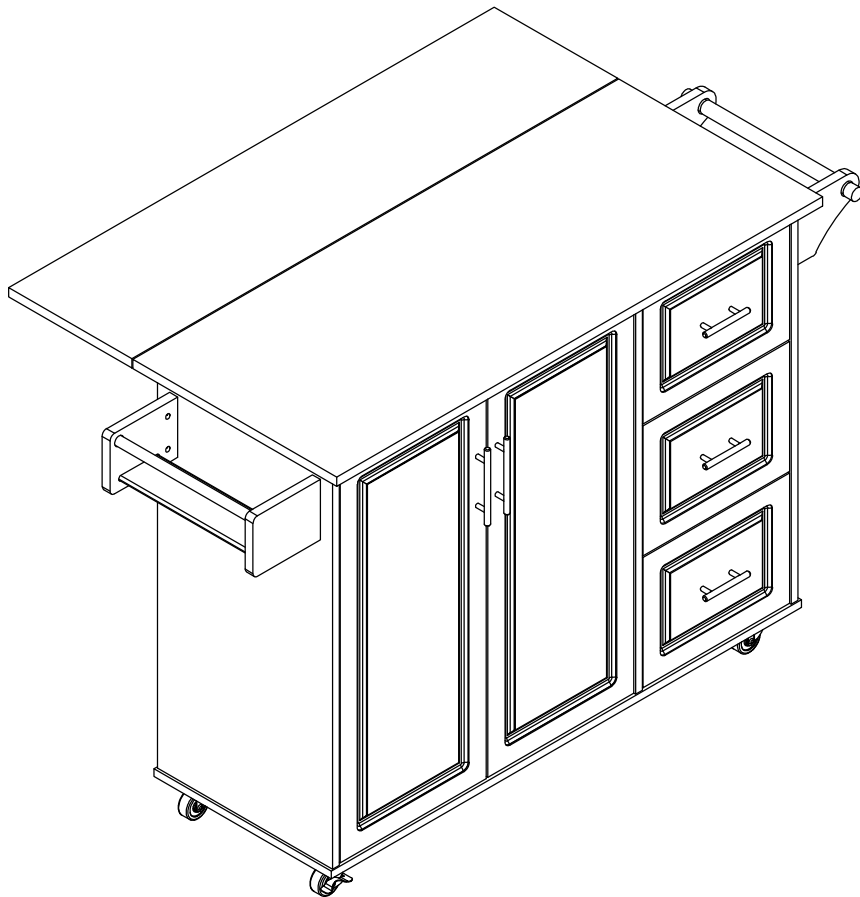


Kitchen Cart



If you have any questions, please feel free to contact us via email: vip-service03@yeah.net

General Guidelines

- Please read the following instruction carefully and use the product accordingly.
- Please keep this manual and hand it over when you transfer the product.
- This summary may not include every detail of all variations and considered steps. Please contact us when further information and help are needed.

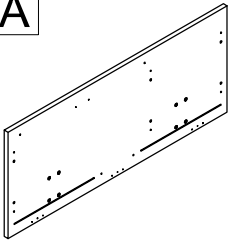
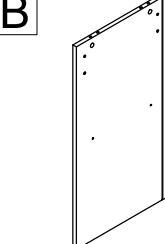
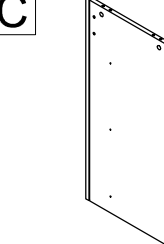
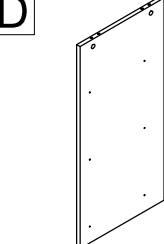
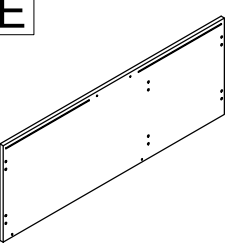
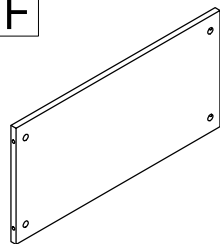
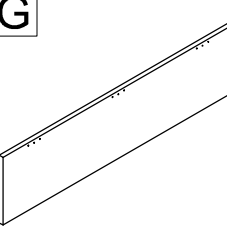
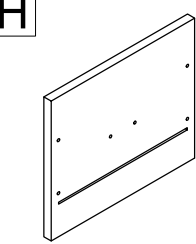
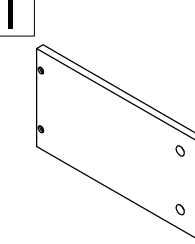
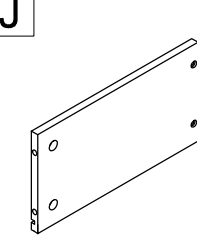
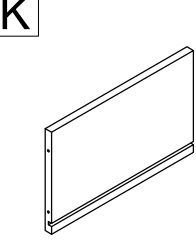
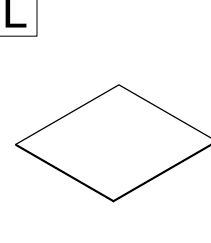
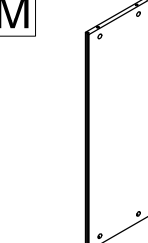
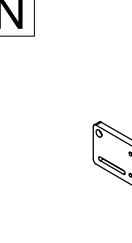
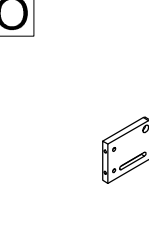
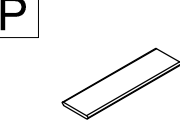
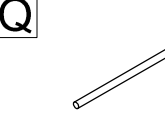
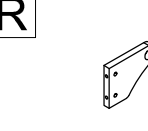
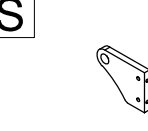
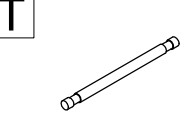
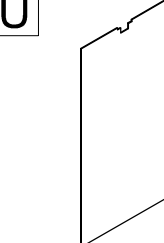
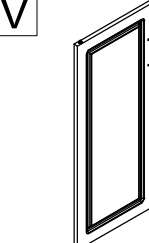
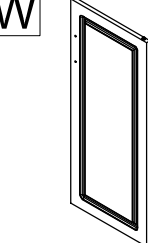
Notes

- The product is intended for indoor use only. The product must be assembled and used in accordance with the provisions of the manual. Personal injury and/or damage to product may occur if products are used outside of their intended purposes and/or if products have been changed/modified from their original design. The seller does not assume any responsibility or liability with respect to any injury/damage caused by incorrect assembly or improper use.
- Avoid long-term exposure to humid environments to prevent mildew.
- Keep the product away from fire sources and high temperatures. Do not expose the product to direct sunlight.
- Do not place any hot objects on the surface of the product.
- If there are any defective or missing parts after unpacking, please cease assembly immediately and contact us.
- Please assemble the item on a spacious surface and do not place the unwrapped product directly on the ground to avoid product damage.
- Please do not stand or sit on the wooden boards.
- Please wear gloves during the assembly and/or disassembly process to avoid scratches from any sharp edges.
- Please match the corresponding part and fitting based on the part number in the manual.
- If the part does not match with the fitting, please check the piece as specified in this manual.
- During assembly, first loosely align all screws with the corresponding pre-drilled holes and then tighten the screws one by one.
- Periodically inspect screw tightness while the product is in use. If necessary, retighten to ensure structural integrity.
- If you accidentally spill water or another liquid on the surface, immediately wipe clean with a dry towel.
- Please keep the product away from sharp, pointed objects and corrosive substances to prevent product damage.
- Please place this item on level, solid ground during use.

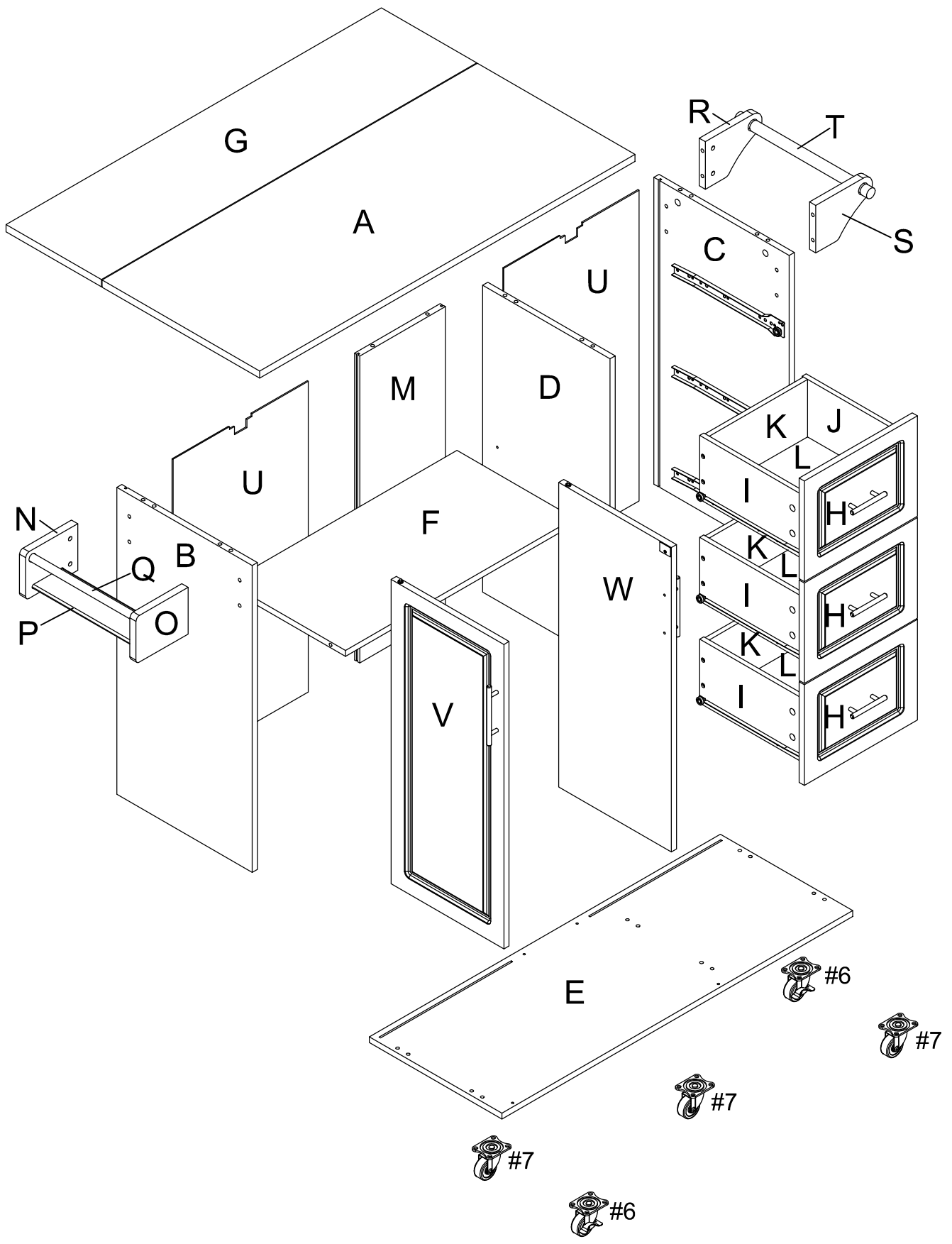
Warnings

- During assembly, keep all small parts out of the reach of children. It may be fatal if swallowed or inhaled.
- Children should not climb or play on the product in order to avoid tipping over the furniture and causing serious injury.
- To avoid the potential dangers of suffocation, please keep all parts and packaging (film, plastic bags, foam, etc.) away from babies and children.
- Keep sharp objects and corrosive items away from the product to avoid any damage or injury.
- Do not shake or move violently during use to avoid tipping over the product.







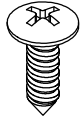


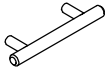
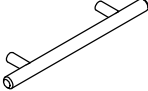
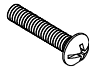


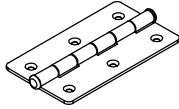
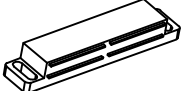
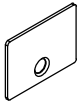

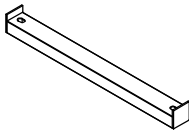

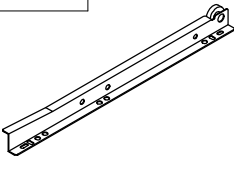
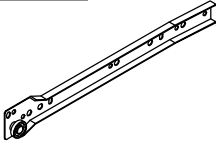
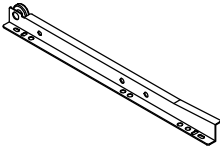
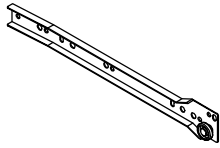

PART LIST

| | | | | |
|-------------------------------------------------------------------------------------|-------------------------------------------------------------------------------------|-------------------------------------------------------------------------------------|--------------------------------------------------------------------------------------|---------------------------------------------------------------------------------------|
|  |  |  |  |  |
| <p>Large Top Panel 1 PC</p> | <p>Left Panel 1 PC</p> | <p>Right Panel 1 PC</p> | <p>Partition Panel 1 PC</p> | <p>Bottom Panel 1 PC</p> |
|  |  |  |  |  |
| <p>Fixed Shelf Panel 1 PC</p> | <p>Small Top Panel 1 PC</p> | <p>Drawer Front Panel 3 PCS</p> | <p>Drawer Left Panel 3 PCS</p> | <p>Drawer Right Panel 3 PCS</p> |
|  |  |  |  |  |
| <p>Drawer Back Panel 3 PCS</p> | <p>Drawer Bottom Panel 3 PCS</p> | <p>Back Post 1 PC</p> | <p>Spice Rack Left Support 1 PC</p> | <p>Spice Rack Right Support 1 PC</p> |
|  |  |  |  |  |
| <p>Spice Rack Bottom Panel 1 PC</p> | <p>Spice Rack Bar 1 PC</p> | <p>Towel Rack Left Support 1 PC</p> | <p>Towel Rack Right Support 1 PC</p> | <p>Towel Rod 1 PC</p> |
|  |  |  | | |
| <p>Back Panel 2 PCS</p> | <p>Left Door 1 PC</p> | <p>Right Door 1 PC</p> | | |

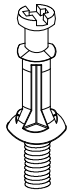
ASSEMBLY OVERVIEW



HARDWARE LIST

| | | | | | |
|---------------------------------------------------------------------------------------------------------------------------|---------------------------------------------------------------------------------------------------------------------------|----------------------------------------------------------------------------------------------------------------------|---------------------------------------------------------------------------------------------------------------------|------------------------------------------------------------------------------------------------------------------------|---------------------------------------------------------------------------------------------------------------------------|
| <p>#1</p>  <p>Ø7*38mm</p> | <p>#2</p>  <p>Ø8*30mm</p> | <p>#3</p>  <p>Ø3.5*25mm</p> | <p>#4</p>  <p>Ø6*35mm</p> | <p>#5</p>  <p>Ø15*9mm</p> | |
| Screw | Wood Dowel | Screw | Cam-bolt | Cam-lock | |
| 6 PCS (Extra 2) | 12PCS (Extra 4) | 12PCS (Extra 4) | 26PCS (Extra 6) | 26PCS(Extra 6) | |
| <p>#6</p>  <p>3"</p> | <p>#7</p>  <p>3"</p> | <p>#8</p>  <p>Ø4.5*13mm</p> | <p>#9</p>  | <p>#10</p>  <p>Ø3.5*15mm</p> | <p>#11</p>  <p>100*32*Ø12mm</p> |
| Caster With Lock | Caster | Screw | Back Bracket | Screw | Handle |
| 2 PCS | 3 PCS | 20 PCS (Extra 4) | 12 PCS | 32 PCS (Extra 6) | 3 PCS |
| <p>#12</p>  <p>150*32*Ø12mm</p> | <p>#13</p>  <p>M4*22mm</p> | <p>#14</p>  <p>M6*10mm</p> | <p>#15</p>  <p>4mm</p> | <p>#16</p>  | <p>#17</p>  <p>70*17*13mm</p> |
| Handle | Round Head Bolt | Short Bolt | Allen Wrench | Top Hinge | Door Magnet |
| 2 PCS | 10 PCS (Extra 2) | 8 PCS | 1 PC | 3 PCS | 1 PC |
| <p>#18</p>  <p>30*22*1mm</p> | <p>#19</p>  <p>M6*Ø9.5*10mm</p> | <p>#20</p>  <p>M6*45mm</p> | <p>#21</p>  | <p>#22</p>  | <p>#23</p>  <p>Ø3.5*12mm</p> |
| Door Small Plate | Barrel Nut | Long Bolt | Support Rail | Slipper Guide | Screw |
| 2 PCS | 8 PCS (Extra 2) | 8 PCS (Extra 2) | 2 PCS | 2 PCS | 32 PCS(Extra 6) |
| <p>#24</p>  <p>12"</p> | <p>#25</p>  <p>12"</p> | <p>#26</p>  <p>12"</p> | <p>#27</p>  <p>12"</p> |  | |
| Left Drawer Slide Set (A) | Left Drawer Slide Set (B) | Right Drawer Slide Set (A) | Right Drawer Slide Set (B) | Phillips Screwdriver | |
| 3 PCS | 3 PCS | 3 PCS | 3 PCS | 1 PC | |

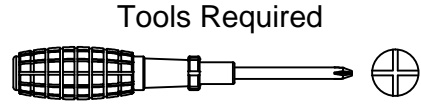
Instructions For Fastening CAM-BOLT and CAM-LOCK



CAM-BOLT

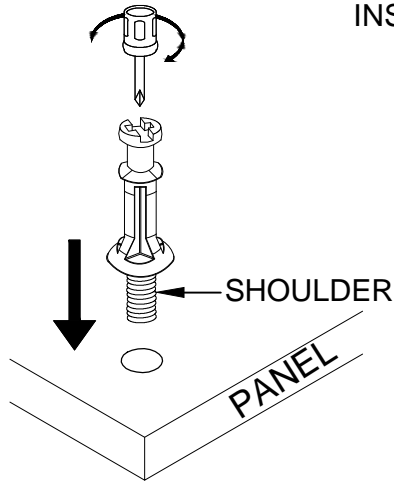


CAM-LOCK

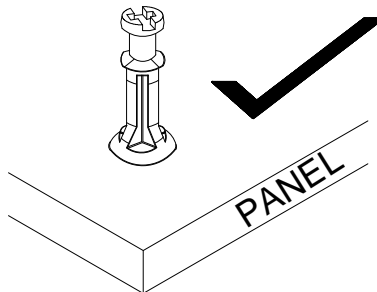


Tools Required

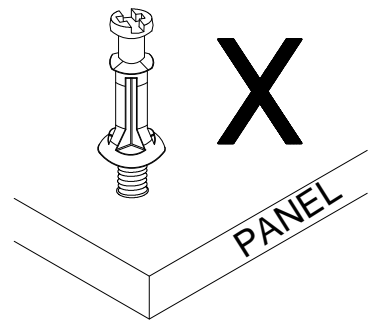
INSERTING AND TIGHTENING CAM-BOLT



Place Cam-bolt on pre-drilled hole and screw in vertically



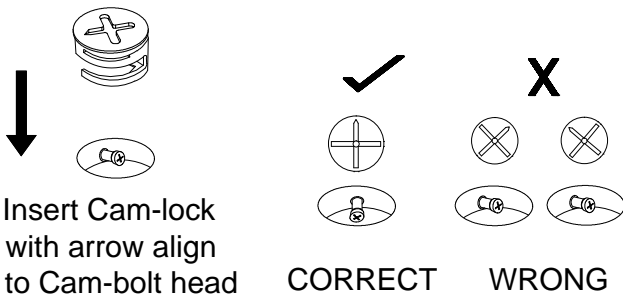
Shoulder is flushed (on the same level) with the panel.



Shoulder is above the panel.

Place Cam-bolt on the designated pre-drilled holes on the panel. Use a Phillips Screwdriver to screw-in Cam-bolt vertically until shoulder is flushed (on the same level) with panel.

INSERTING CAM-LOCK



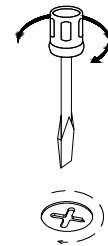
Insert Cam-lock with arrow align to Cam-bolt head

CORRECT

WRONG

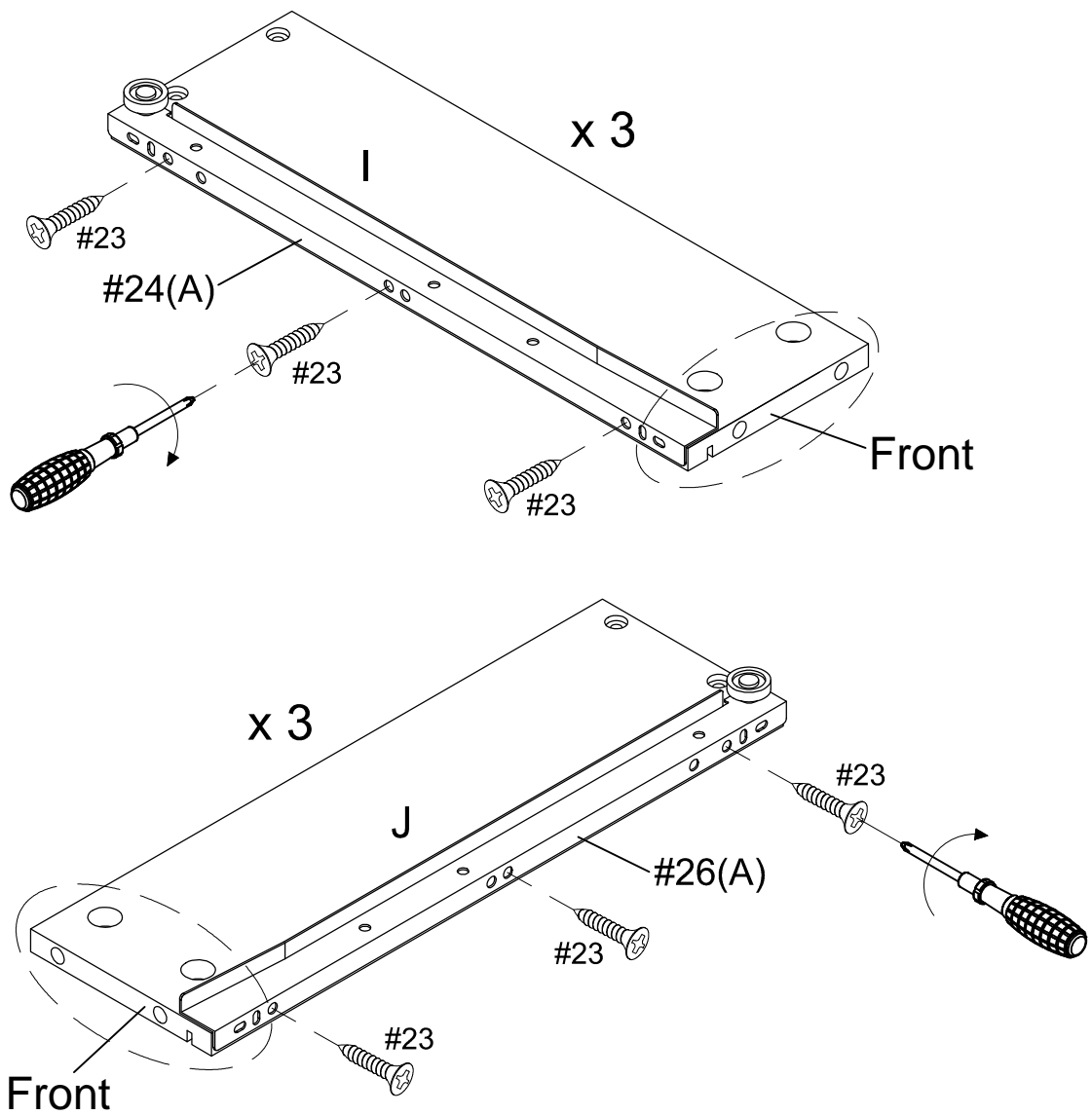
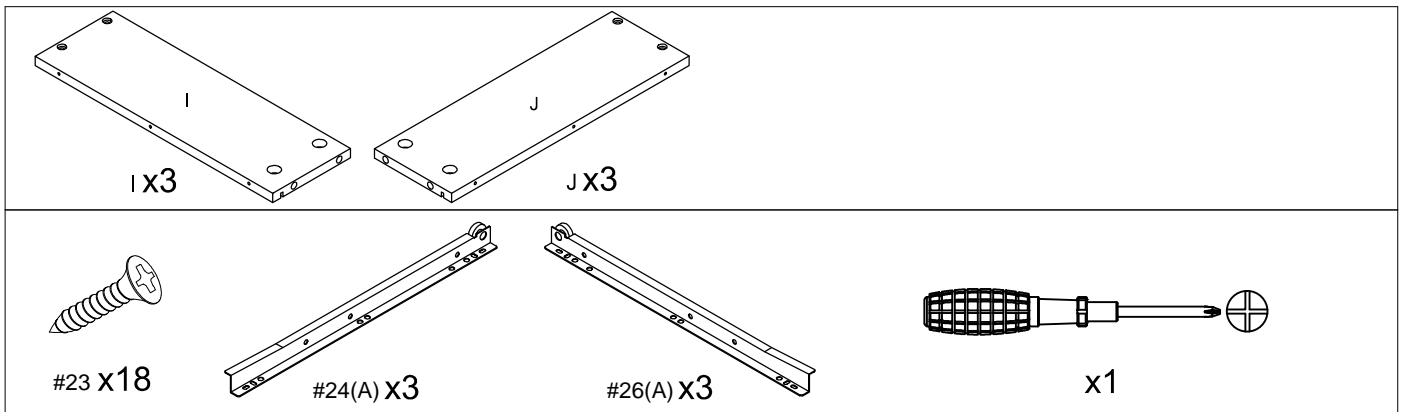
Align the arrow on the Cam-lock to the Cam-bolt head and insert the Cam-lock. Ensure Cam-lock is fully inserted.

TIGHTENING CAM-LOCK

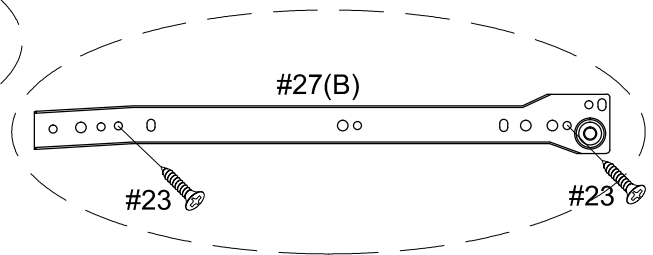
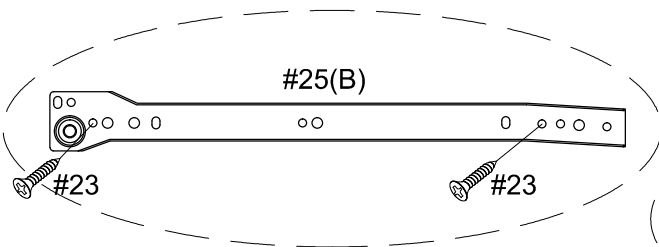
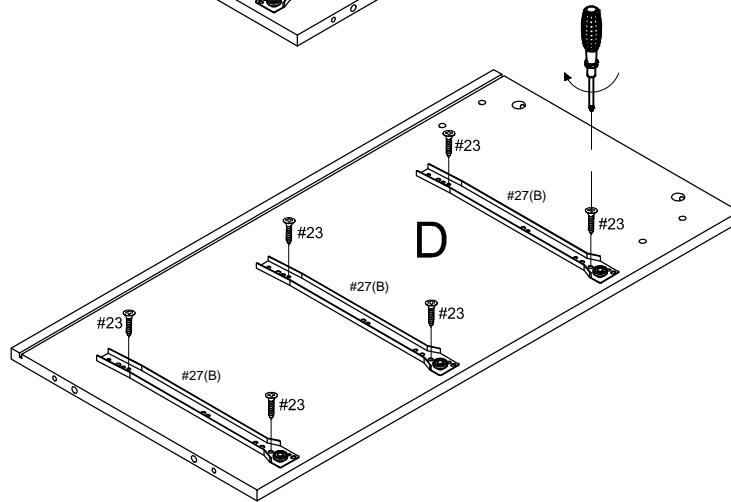
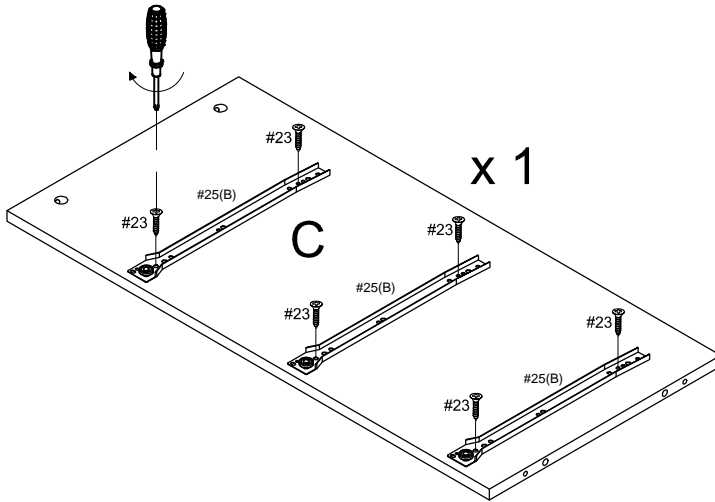
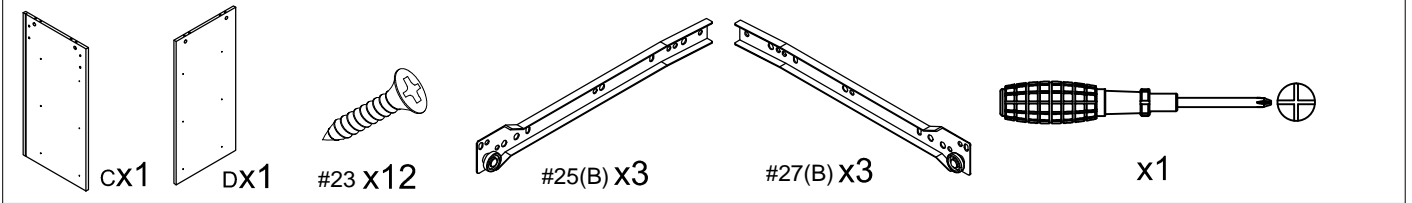


Use a Flat-head Screwdriver to turn Camlock clockwise so it locks onto the head of the Cam-bolt. Turn until it is snug (about 3/4ths of a turn) -- over-tightening could damage Cam-lock or/and Cam-bolt.

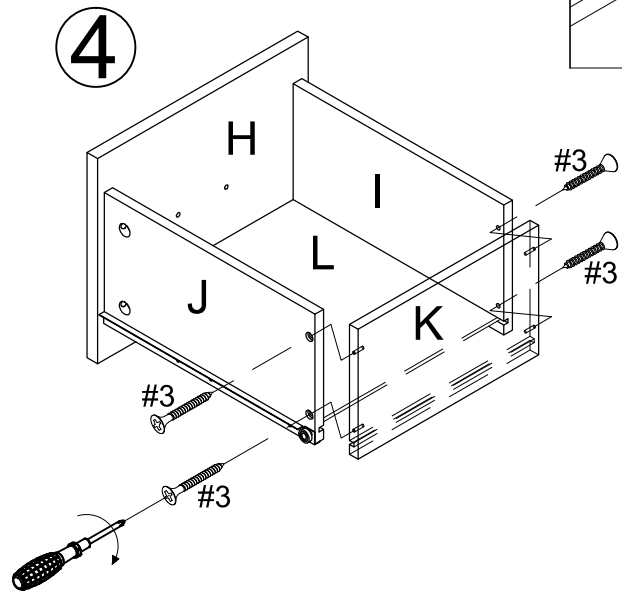
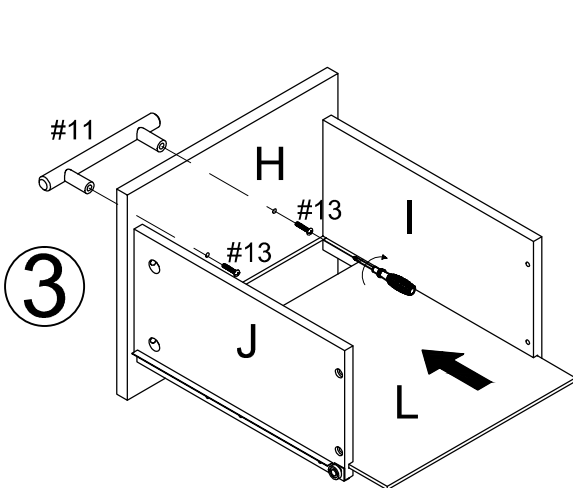
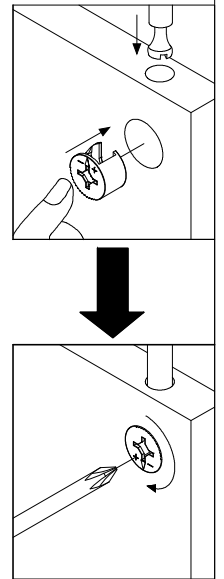
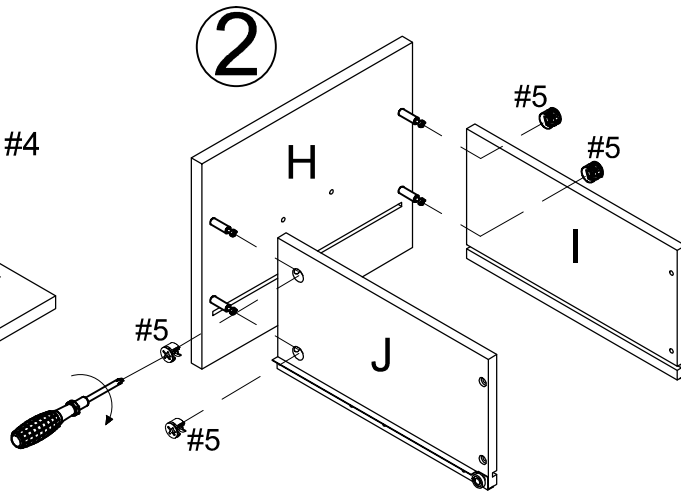
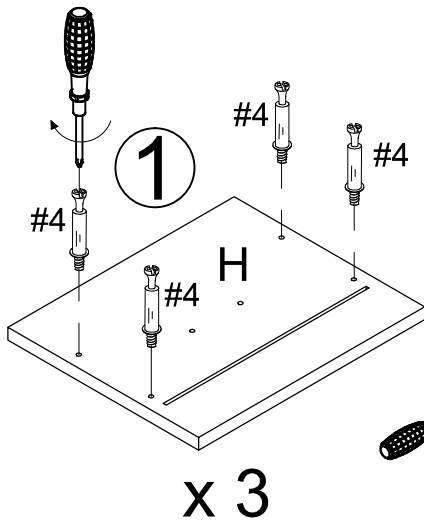
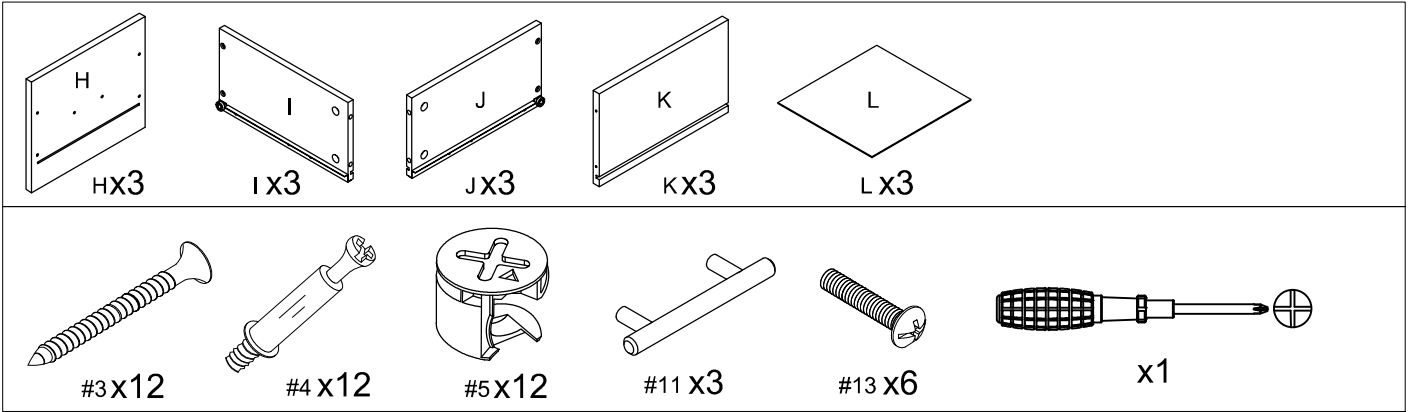
Step 1.



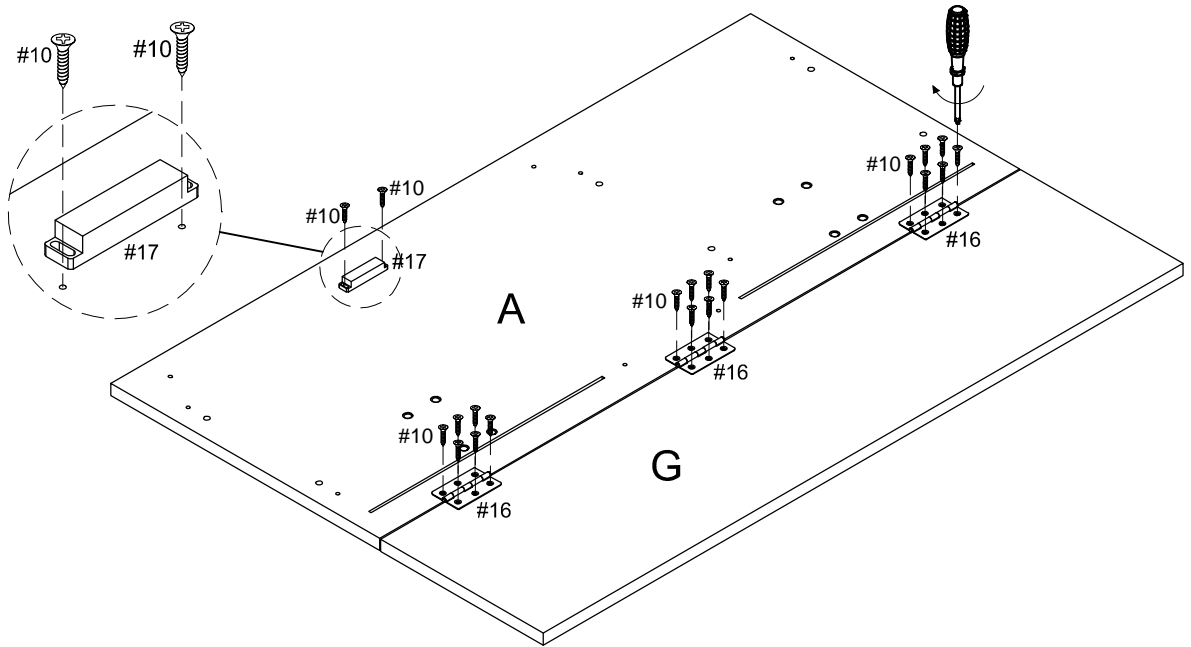
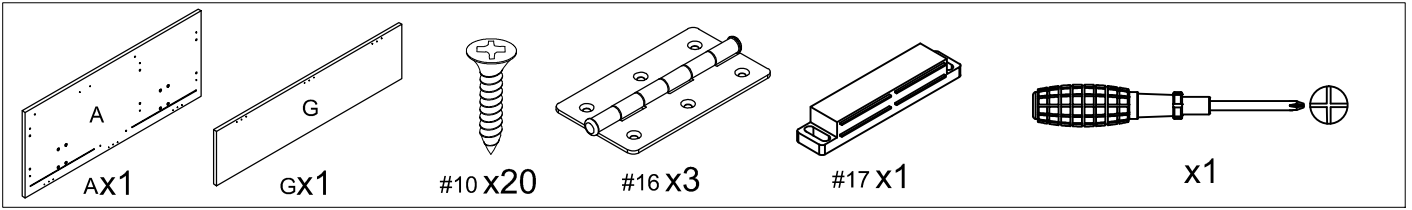
Step 2.



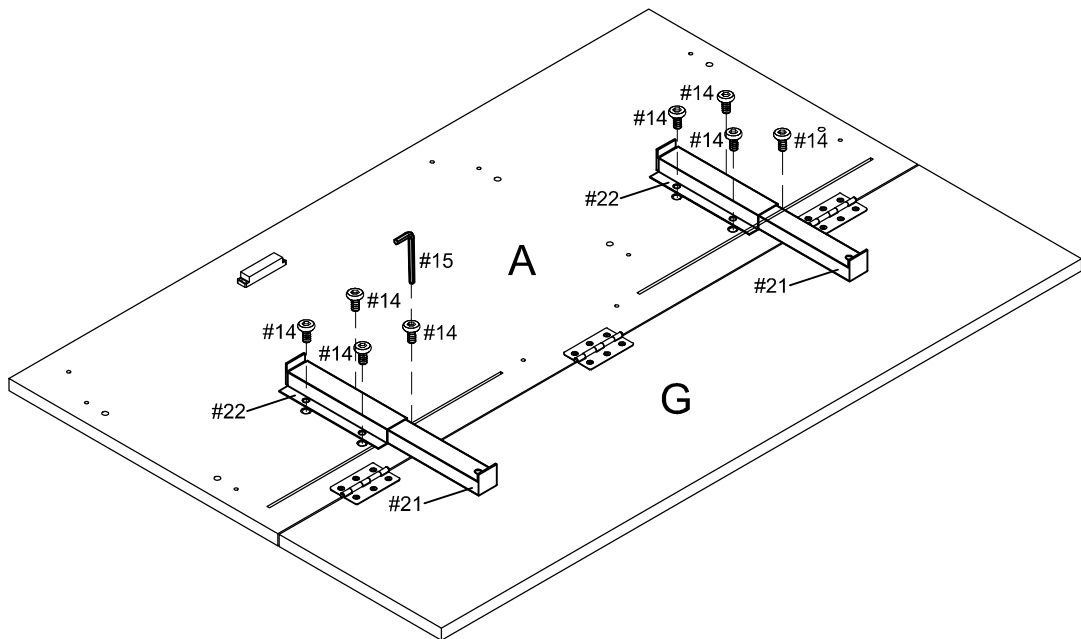
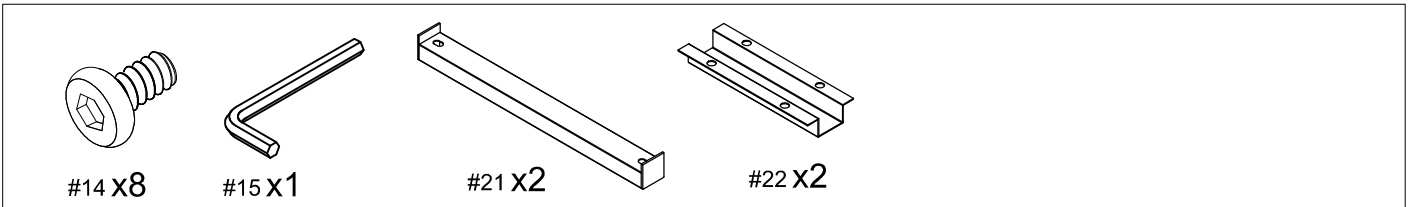
Step 3.



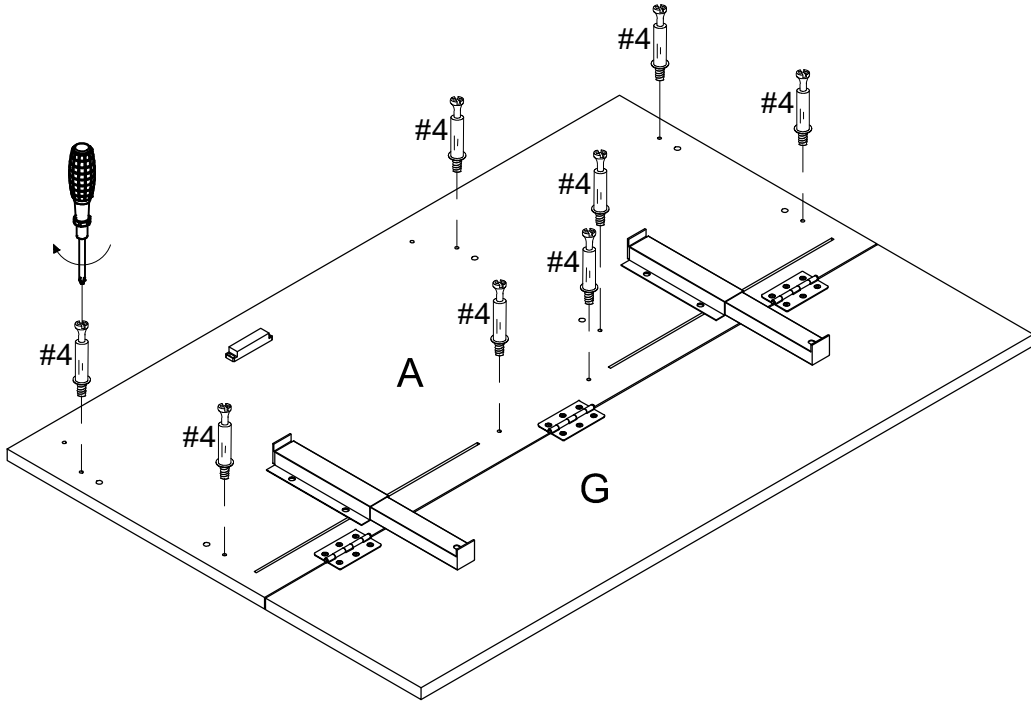
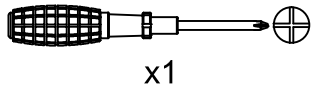
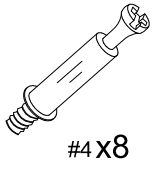
Step 4.



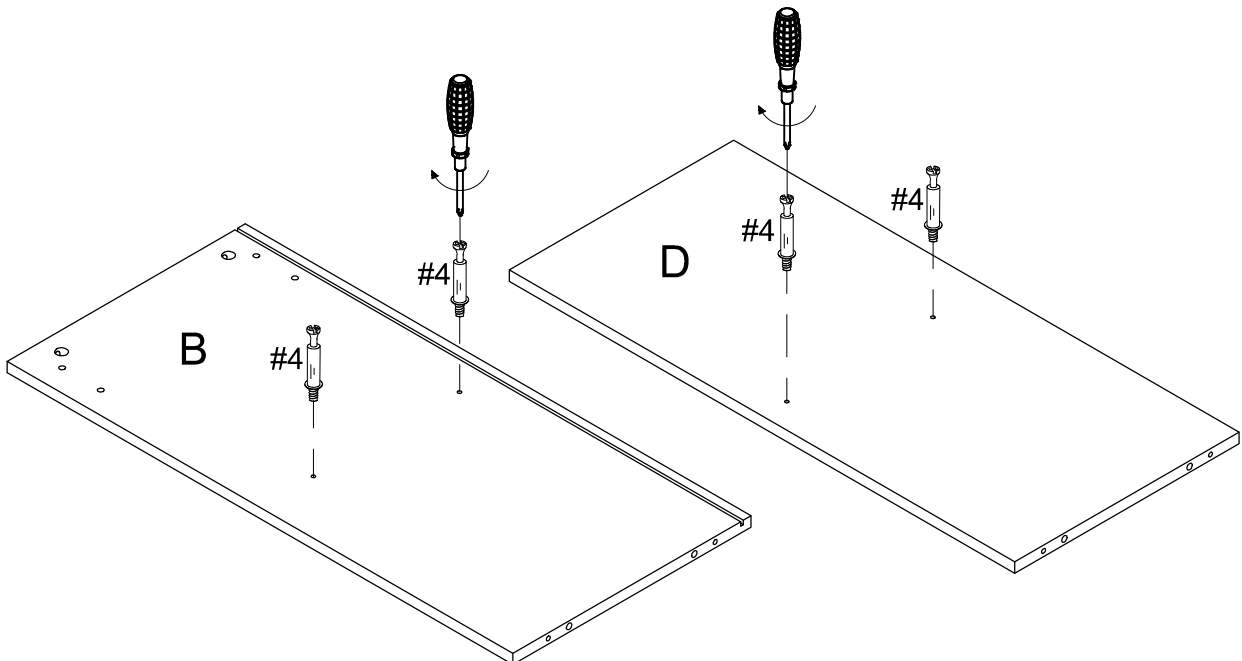
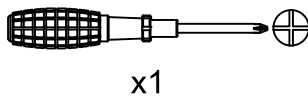
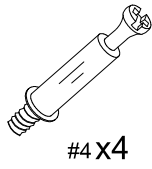
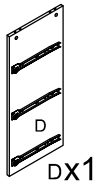
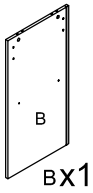
Step 5.



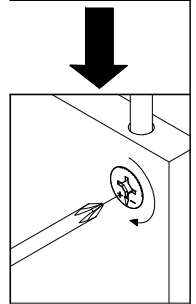
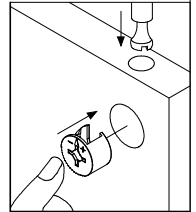
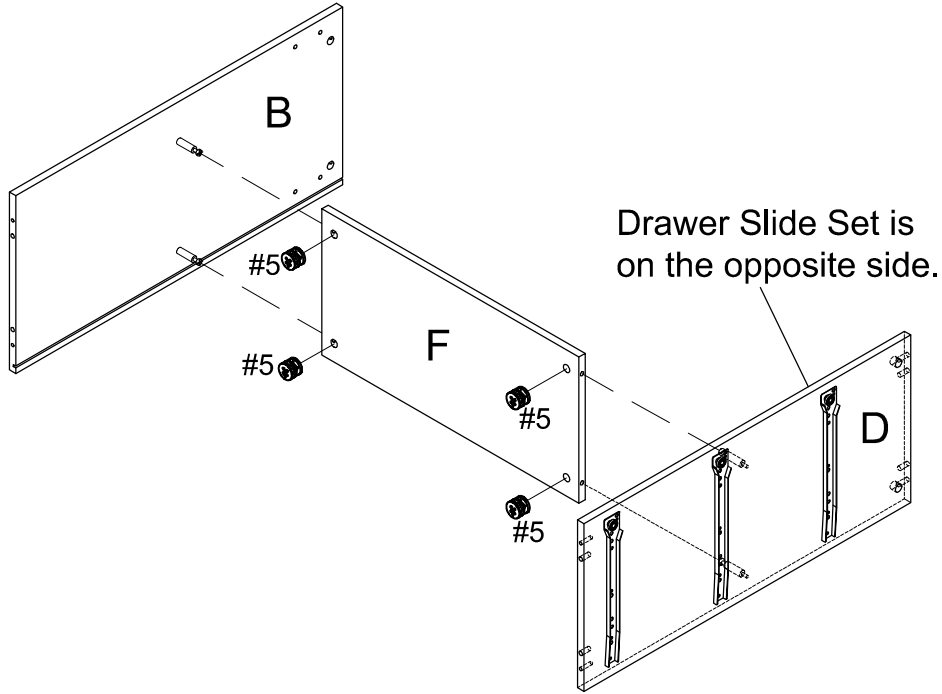
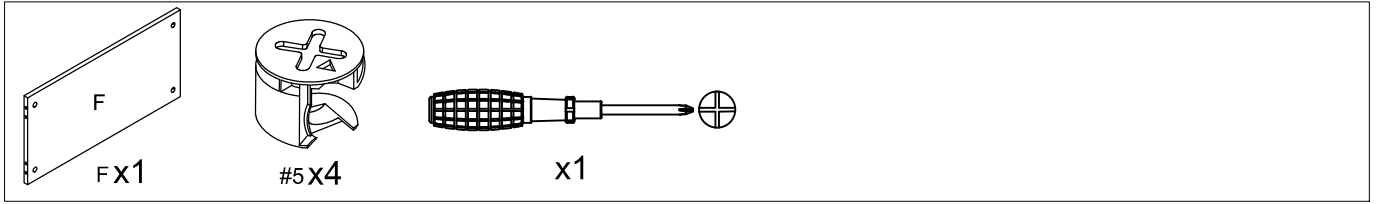
Step 6.



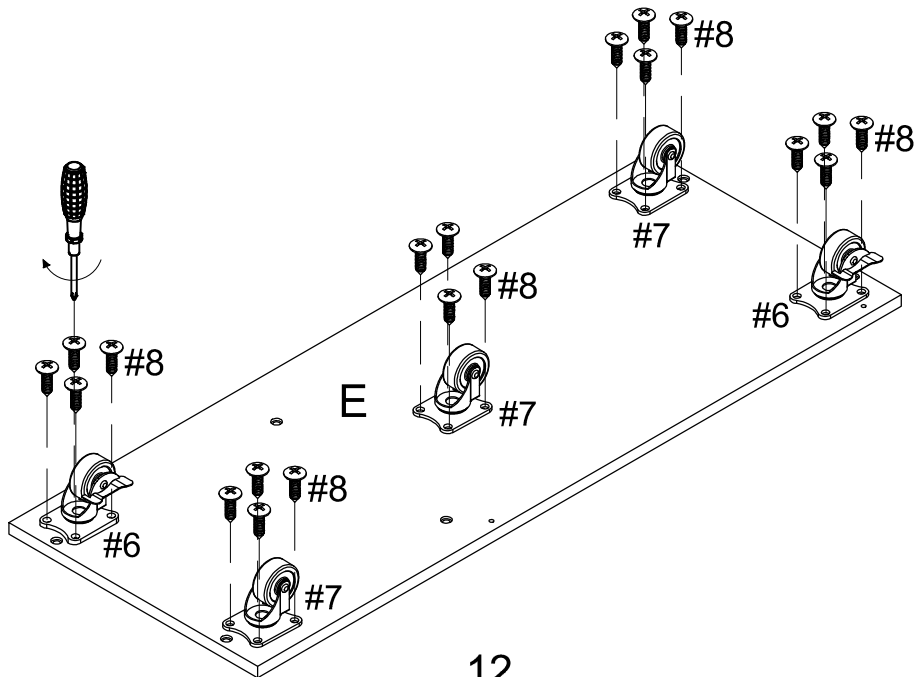
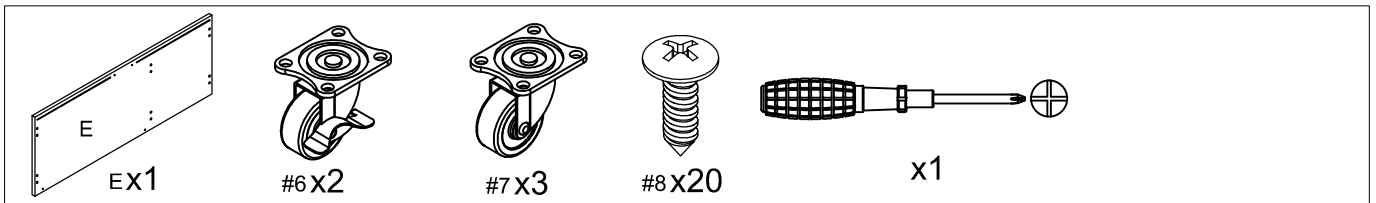
Step 7.



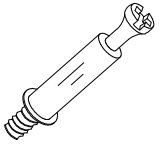
Step 8.



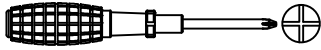
Step 9.



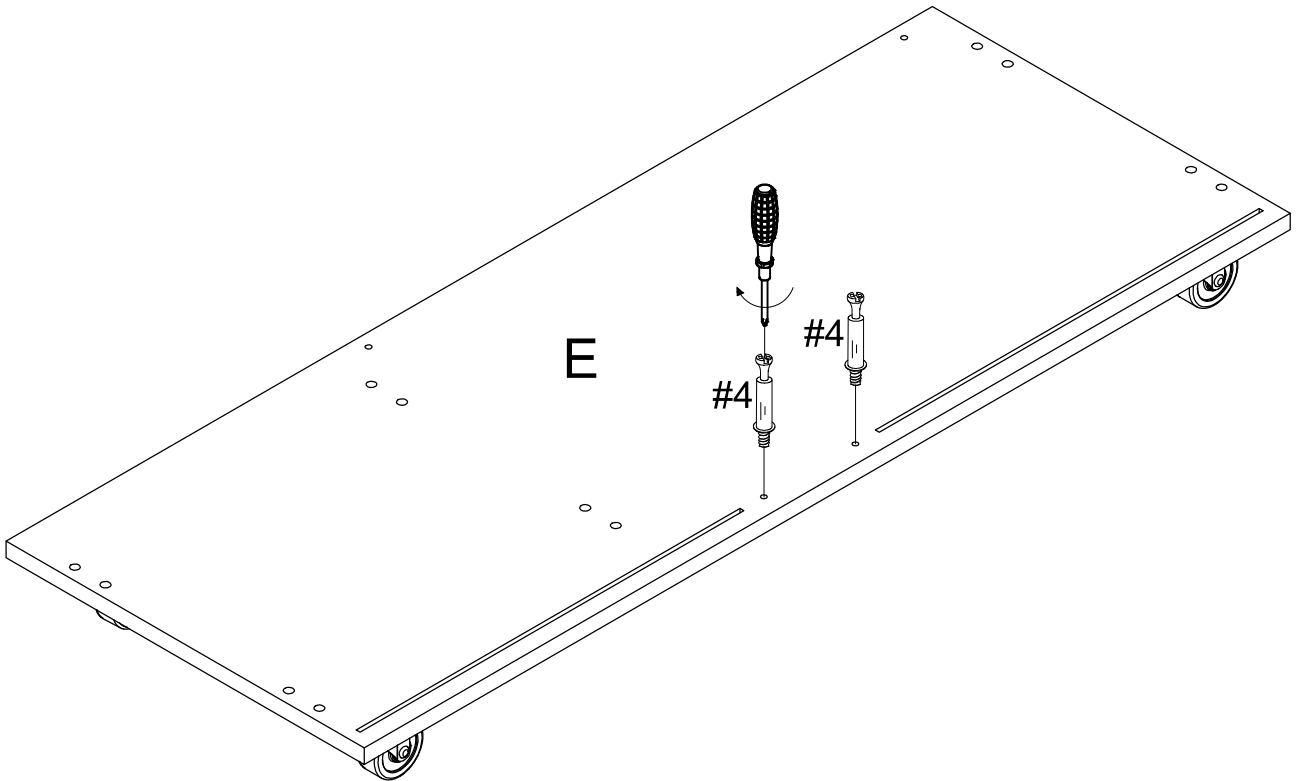
Step 10.



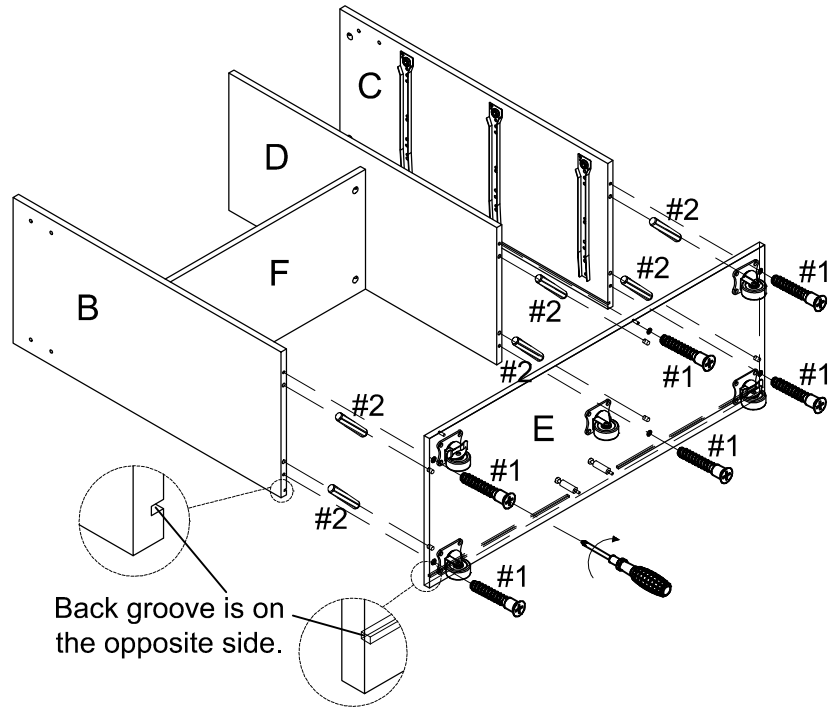
#4 x2



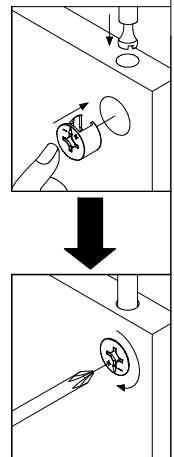
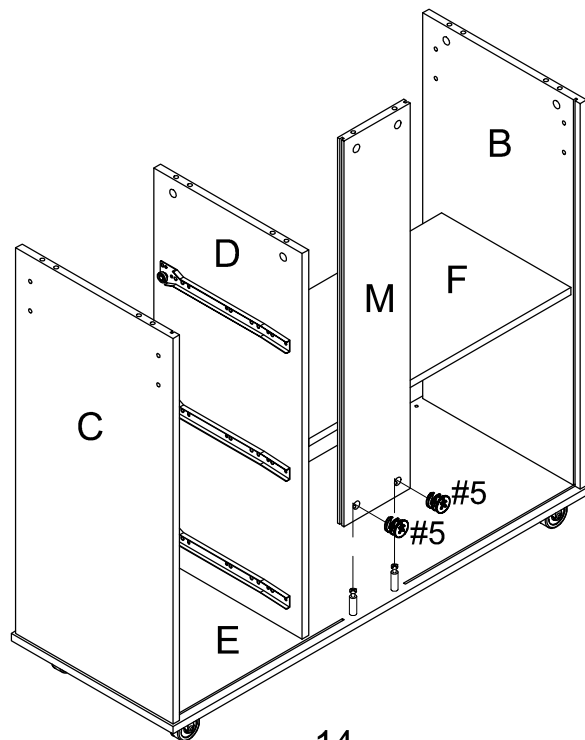
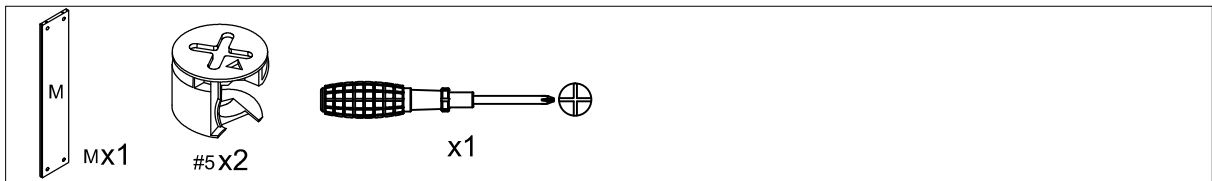
x1



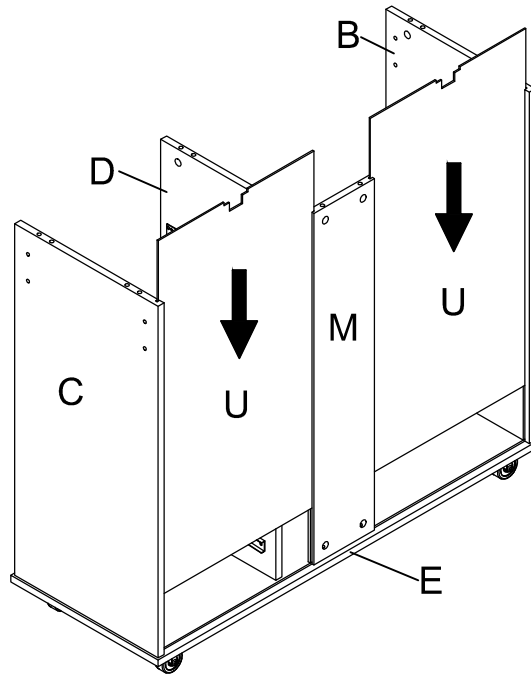
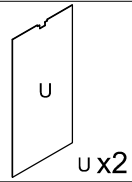
Step 11.



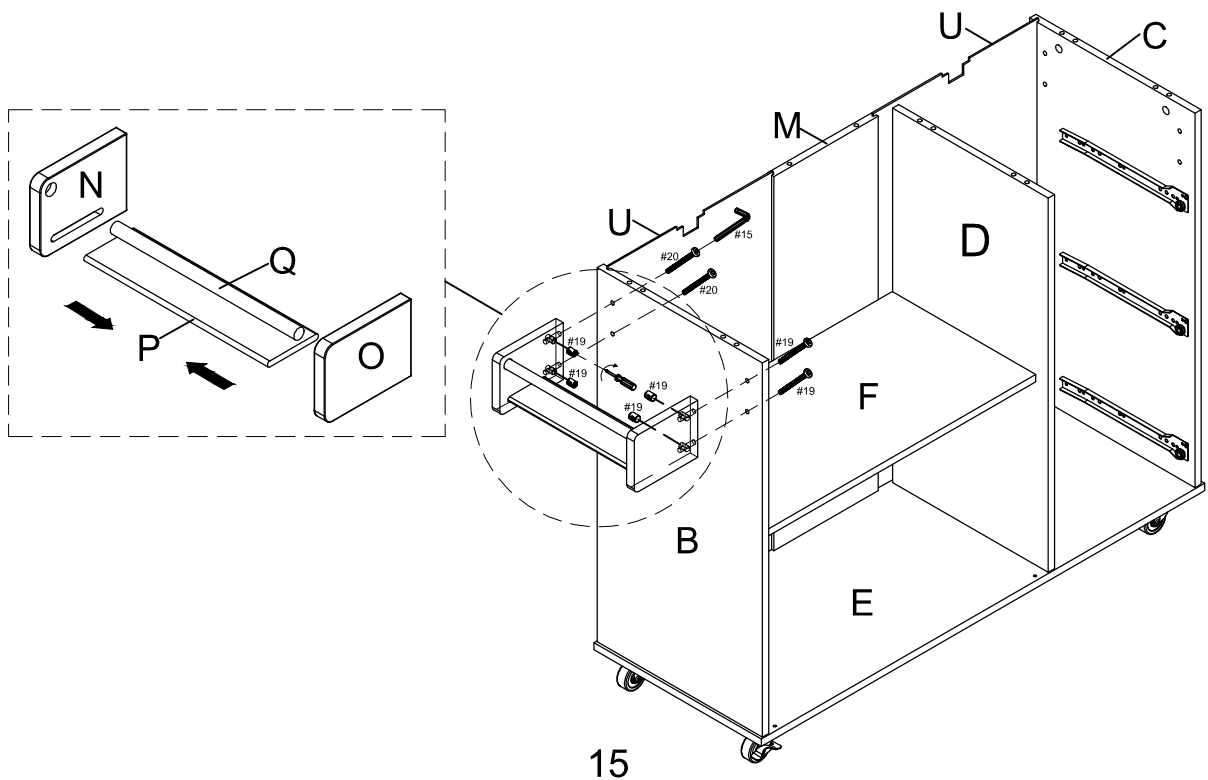
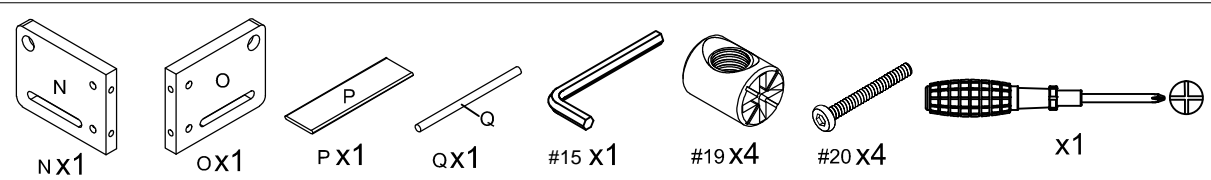
Step 12.



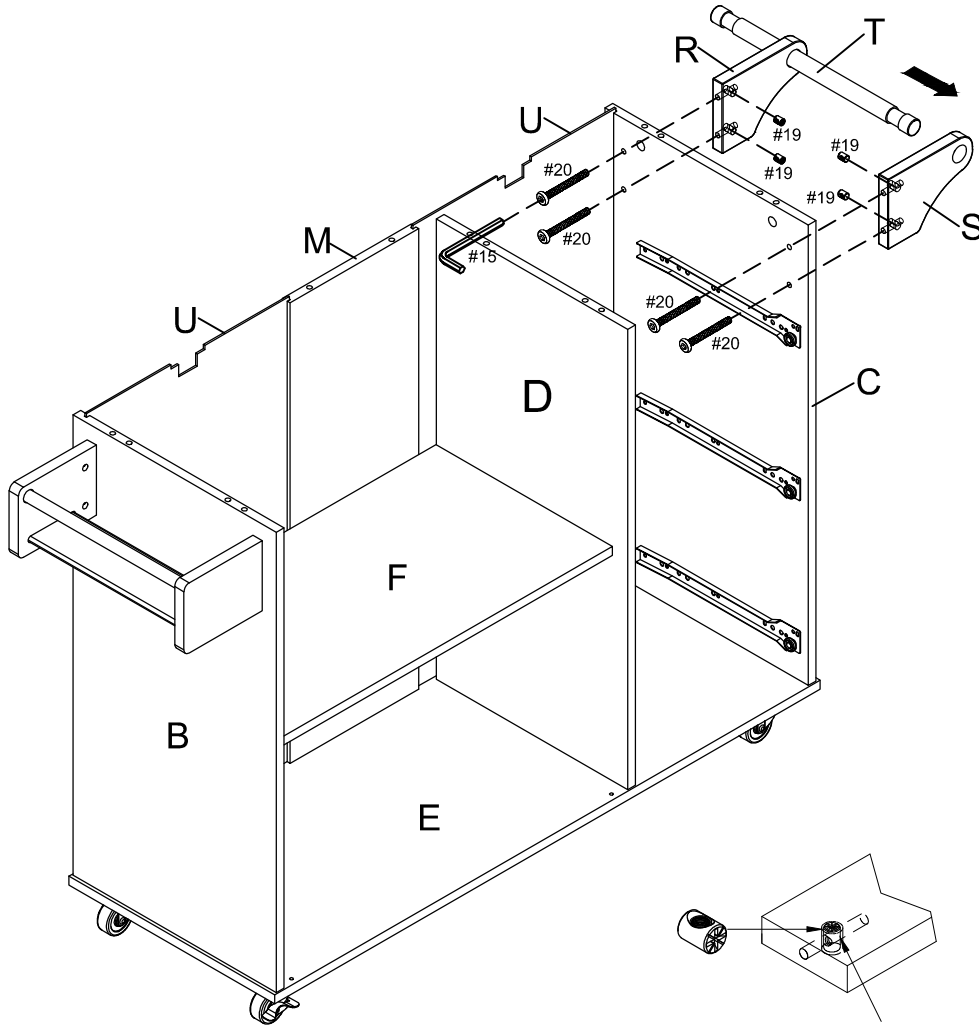
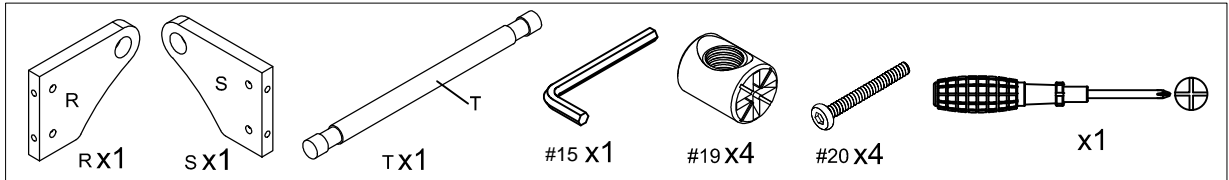
Step 13.



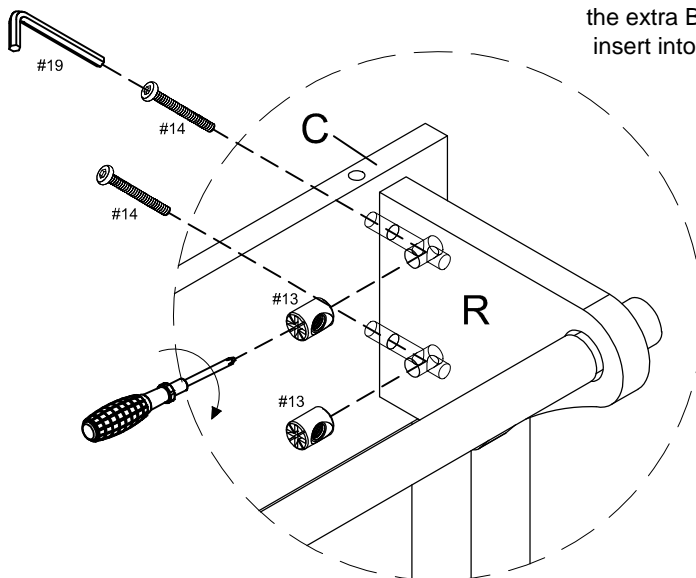
Step 14.



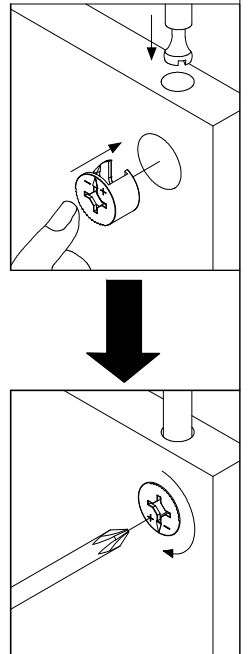
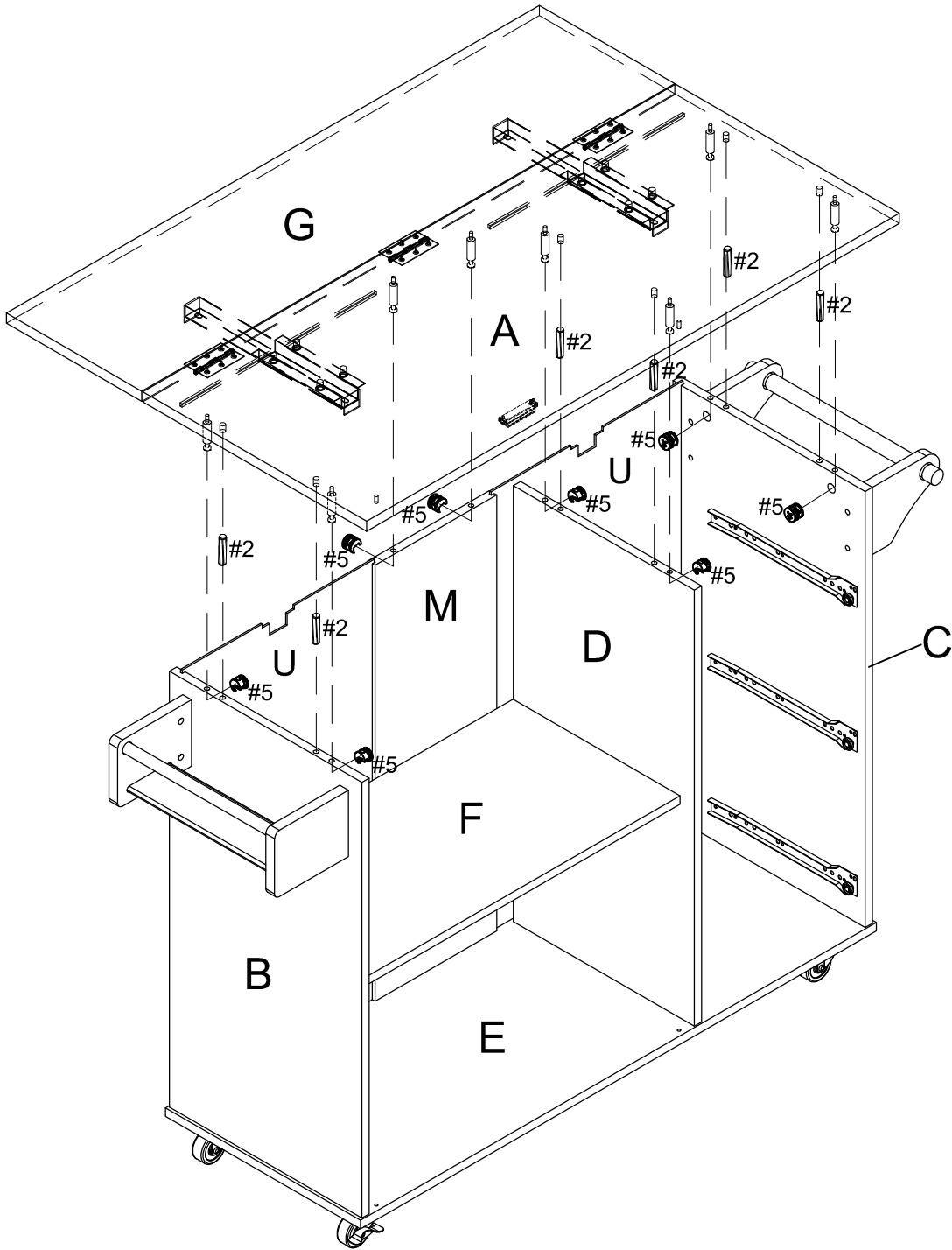
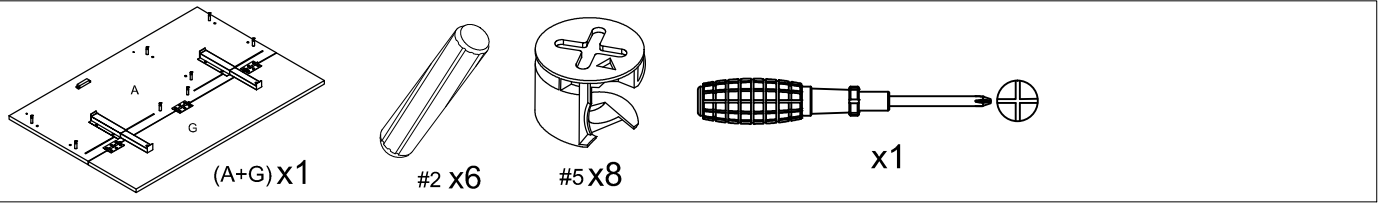
Step 15.



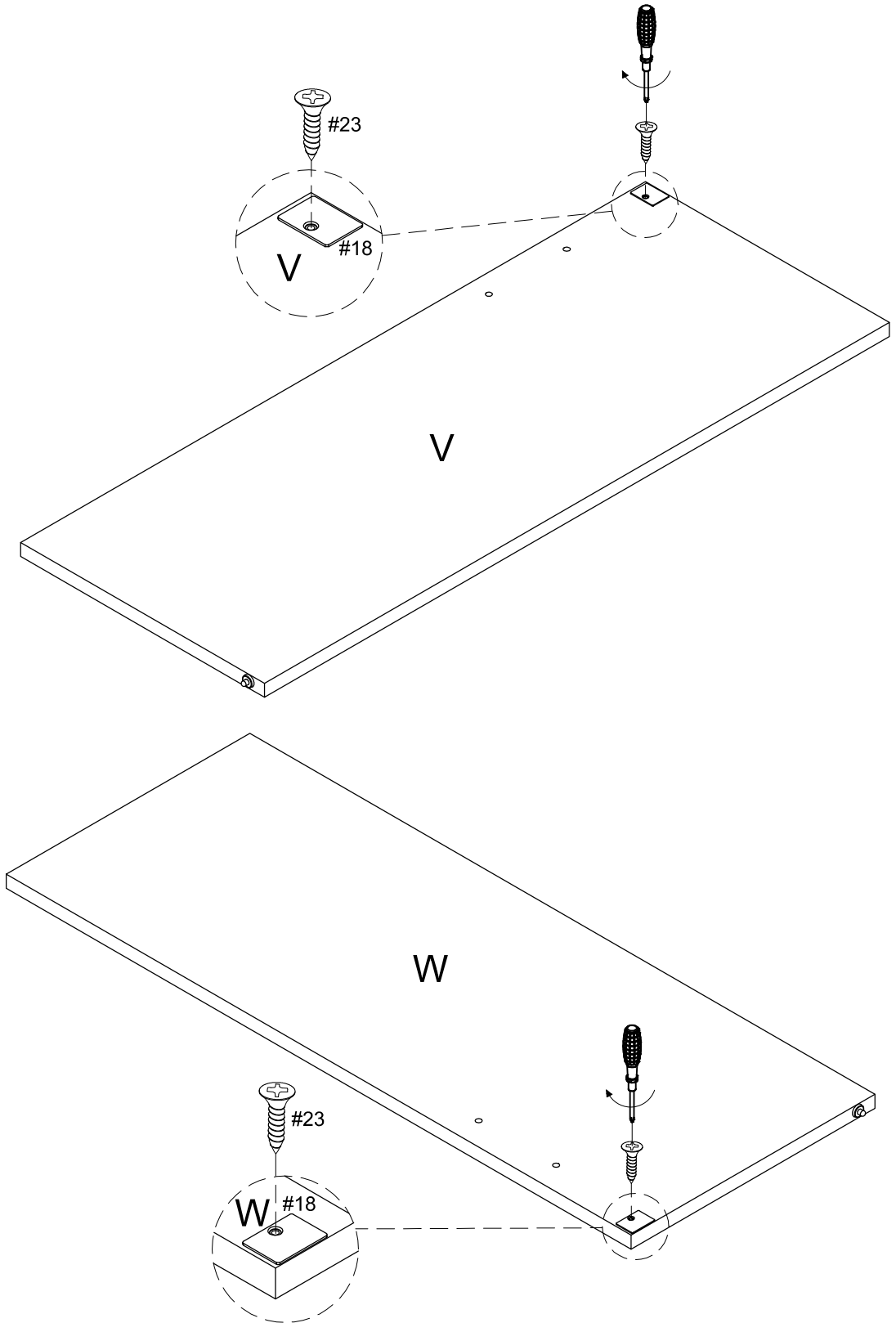
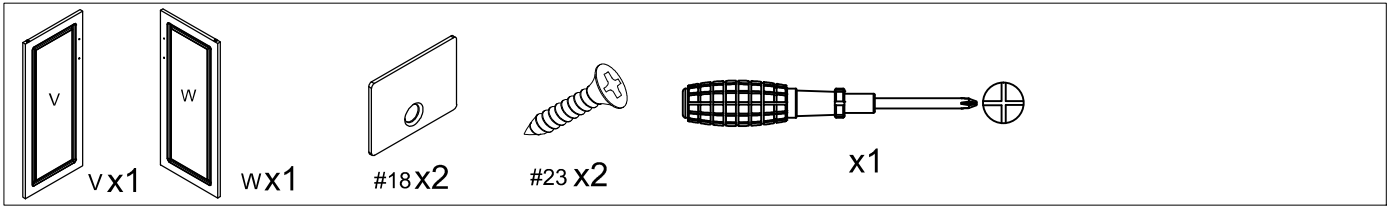
If Barrel Nut is missing in a part, use the extra Barrel Nut provided to insert into this hole.



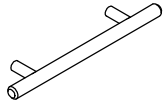
Step 16.



Step 17.



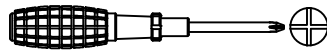
Step 18.



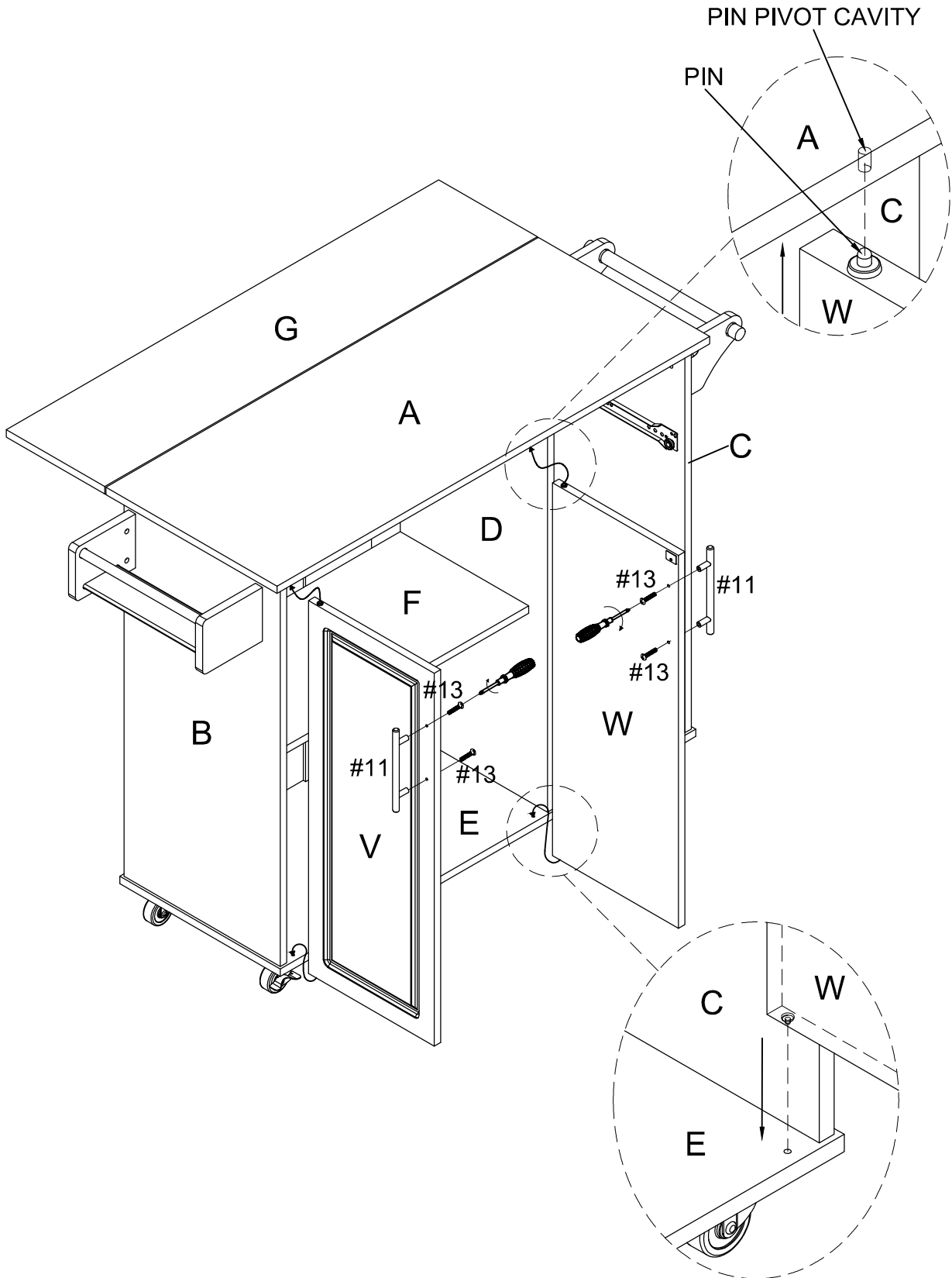
#12x2



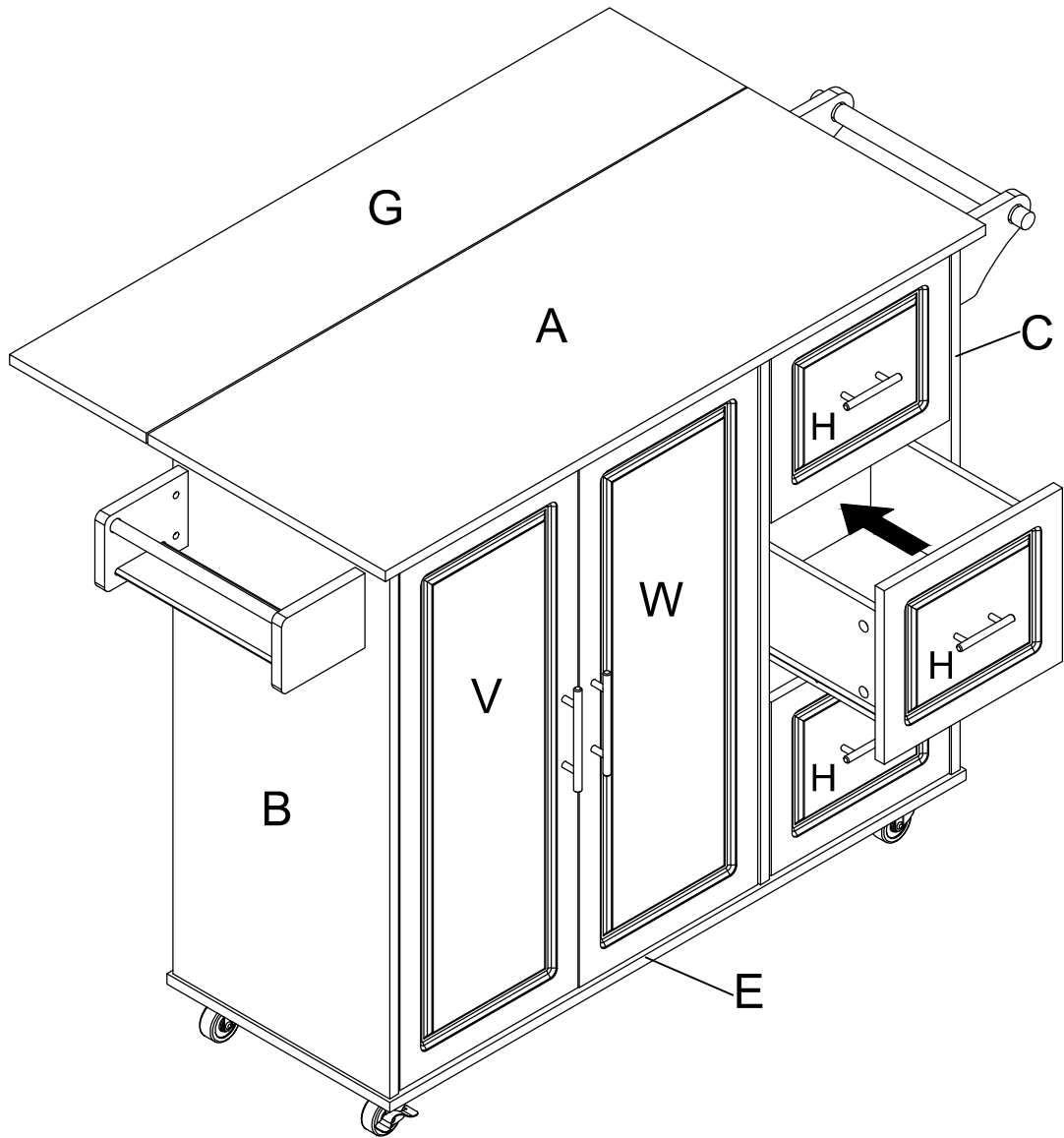
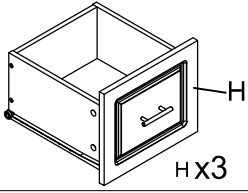
#13x4



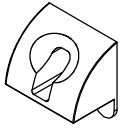
x1



Step 19.



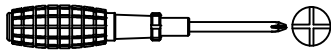
Step 20.



#9x12



#10x12



x1

