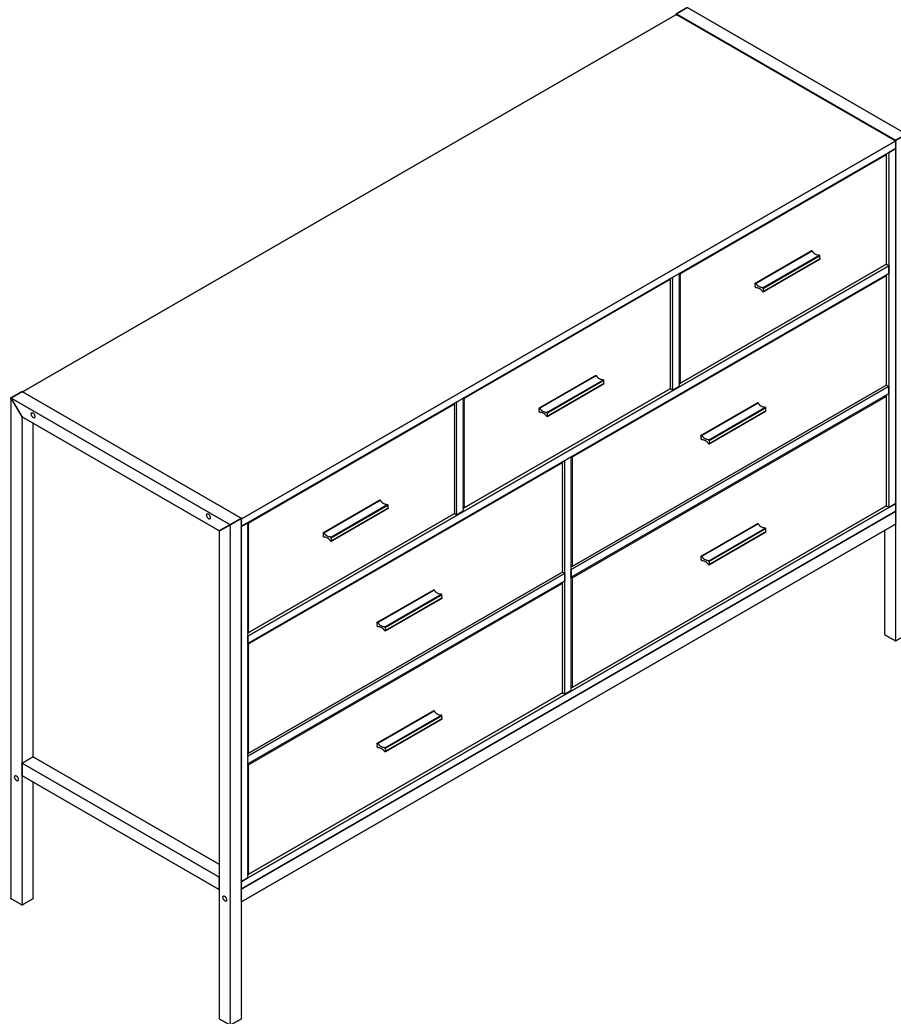


Seven drawer cabinet





General Guidelines

- Please read the following instructions carefully and use the product accordingly.
- Please keep this manual and hand it over when you transfer the product.
- This summary may not include every detail of all variations and considered steps. Please contact us when further information and help are needed.

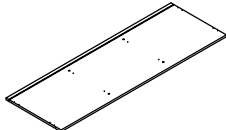
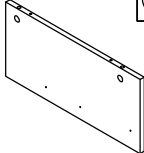
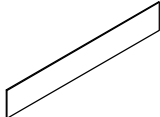
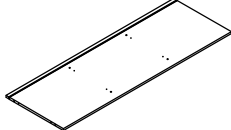
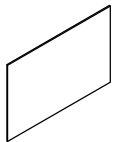
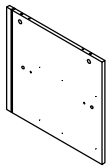
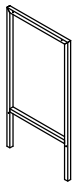
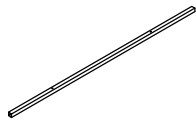
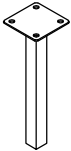
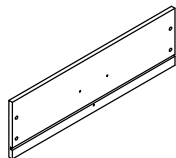
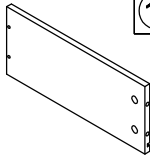
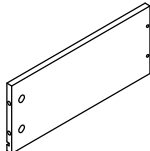
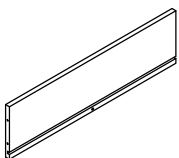
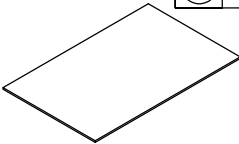
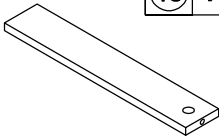
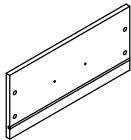
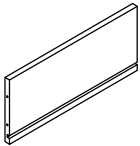
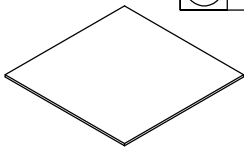
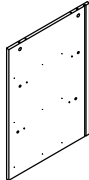
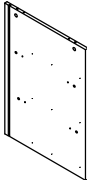
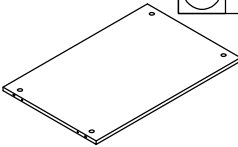
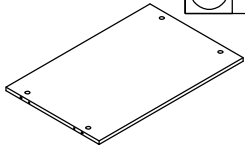
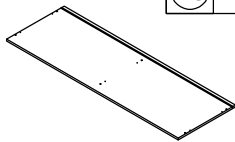
Notes

- The product is intended for indoor use only. The product must be assembled and used in accordance with the provisions of the manual. Personal injury and/or damage to the product may occur if products are used outside of their intended purposes and/or if products have been changed/modified from their original design.
- The seller does not assume any responsibility or liability with respect to any injury/damage caused by incorrect assembly or improper use.
- Avoid long-term exposure to humid environments to prevent mildew.
- Keep the product away from fire sources and high temperatures. Do not expose the product to direct sunlight.
- Do not place any hot objects on the surface of the product.
- If there are any defective or missing parts after unpacking, please cease assembly immediately and contact us.
- Please assemble the item on a spacious surface and do not place the unwrapped product directly on the ground to avoid product damage.
- Please do not stand or sit on the wooden boards.
- Please wear gloves during the assembly and/or disassembly process to avoid scratches from any sharp edges.
- Please match the corresponding part and fitting based on the part number in the manual.
- If the part does not match with the fitting, please check the piece as specified in this manual.
- During assembly, first loosely align all screws with the corresponding pre-drilled holes and then tighten the screws one by one.
- Periodically inspect screw tightness while the product is in use. If necessary, retighten to ensure structural integrity.
- If you accidentally spill water or another liquid on the surface, immediately wipe clean with a dry towel.
- Please keep the product away from sharp, pointed objects and corrosive substances to prevent product damage.
- Please place this item on level, solid ground during use.

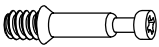


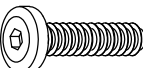
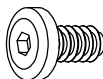

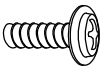
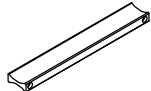
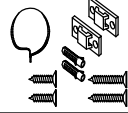
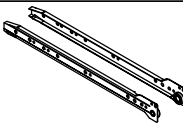
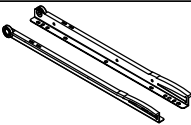
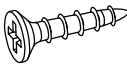
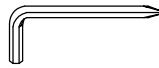
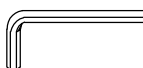

Warnings

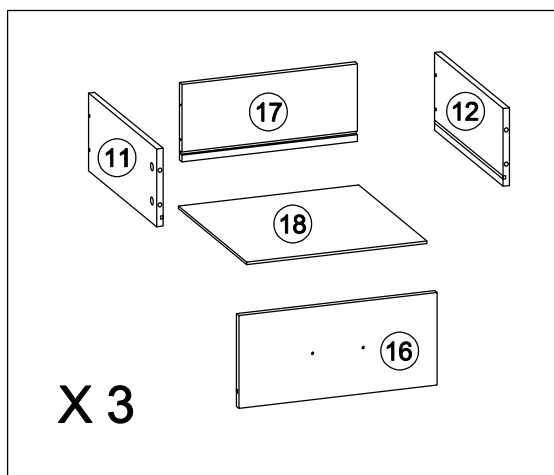
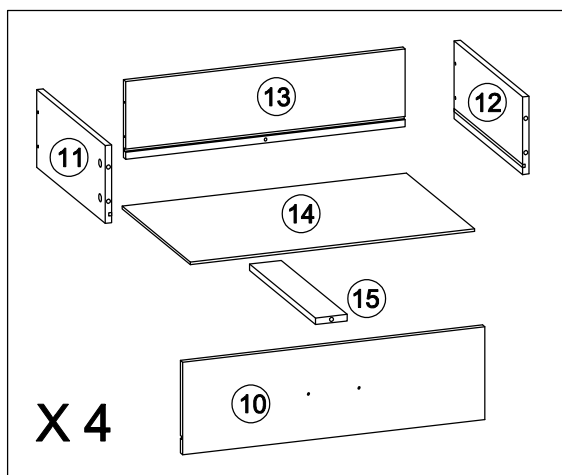
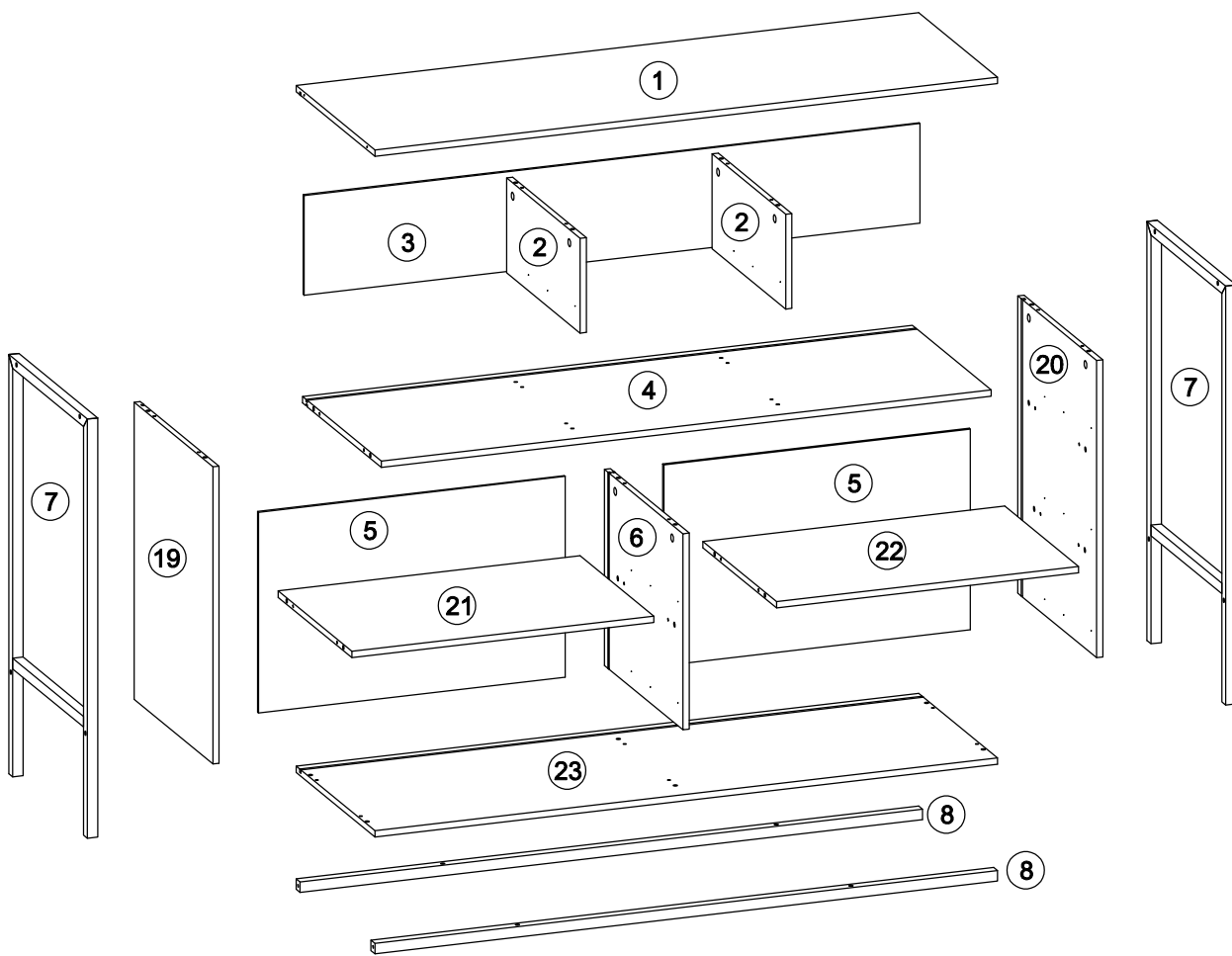
- During assembly, keep all small parts out of the reach of children. It may be fatal if swallowed or inhaled.
- Children should not climb or play on the product in order to avoid tipping over the furniture and causing serious injury.
- To avoid the potential dangers of suffocation, please keep all parts and packaging (film, plastic bags, foam, etc.) away from babies and children.
- Keep sharp objects and corrosive items away from the product to avoid any damage or injury.
- Do not shake or move violently during use to avoid tipping over the product.

PARTS

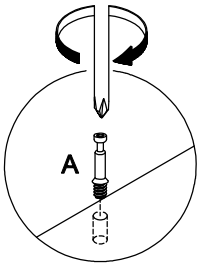
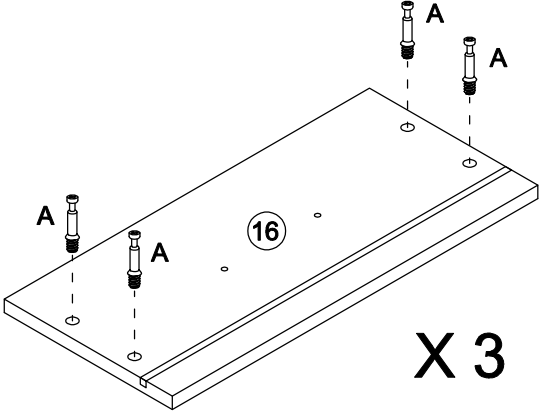
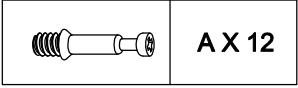
 1 X 1	 2 X 2	 3 X 1	 4 X 1
 5 X 2	 6 X 1	 7 X 2	 8 X 2
 9 X 1	 10 X 4	 11 X 7	 12 X 7
 13 X 4	 14 X 4	 15 X 4	 16 X 3
 17 X 3	 18 X 3	 19 X 1	 20 X 1
 21 X 1	 22 X 1	 23 X 1	

HARDWARE

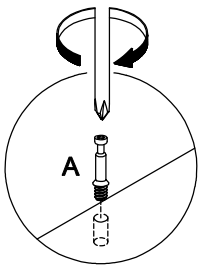
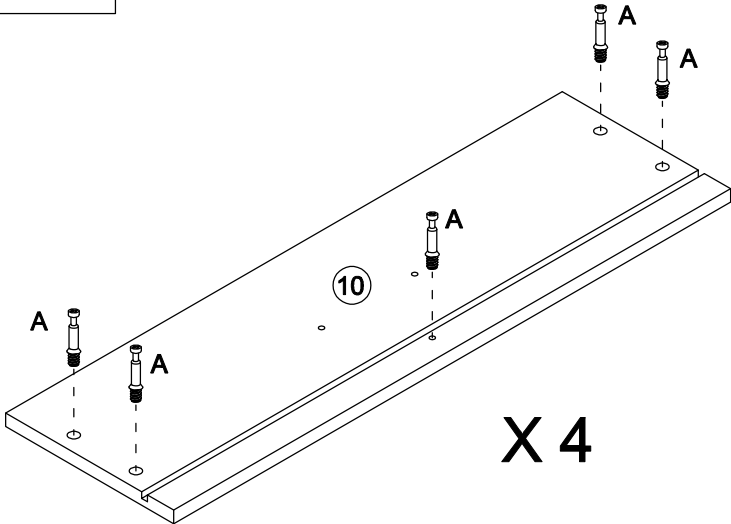
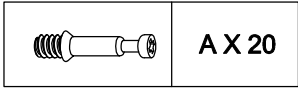
	A x 54 M6*32 +5 (spare)		B x 54 Ø15*9.5 +5 (spare)		C x 32 Ø6*30 +3 (spare)
	D x 8 M6*28 +1 (spare)		E x 4 M6*10		F x 46 Ø5*48 +4 (spare)
	G x 14 M4*15 +1 (spare)		H x 7		I x 2
	J x 7 L=14"		K x 7 L=14"		L x 66 Ø3*10 +5 (spare)
	M x 1 M4		N x 1 M3		O x 6




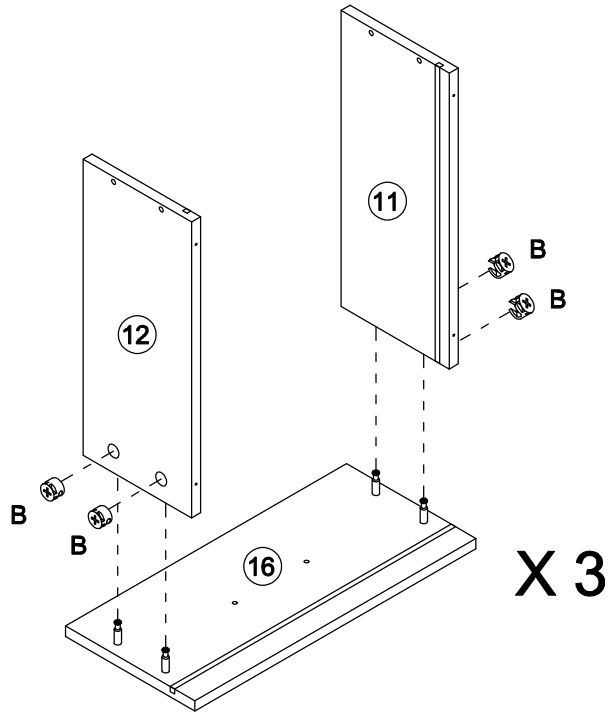
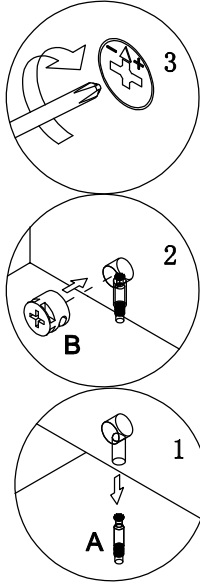
01




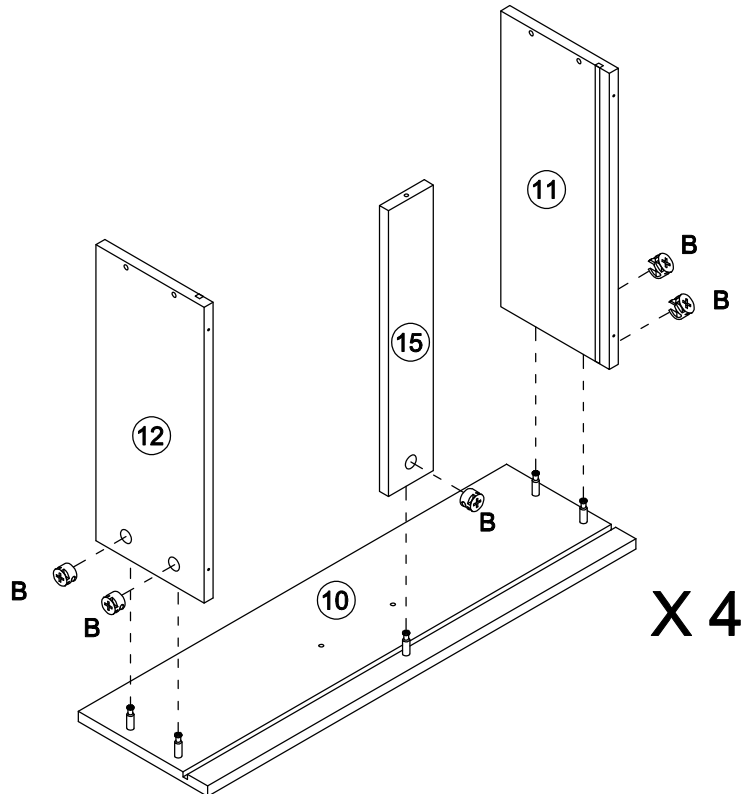
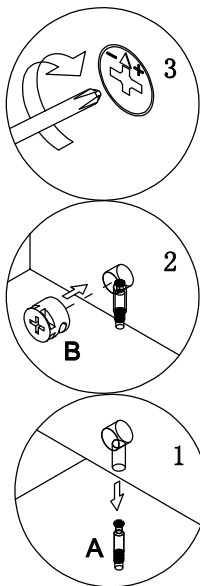
02



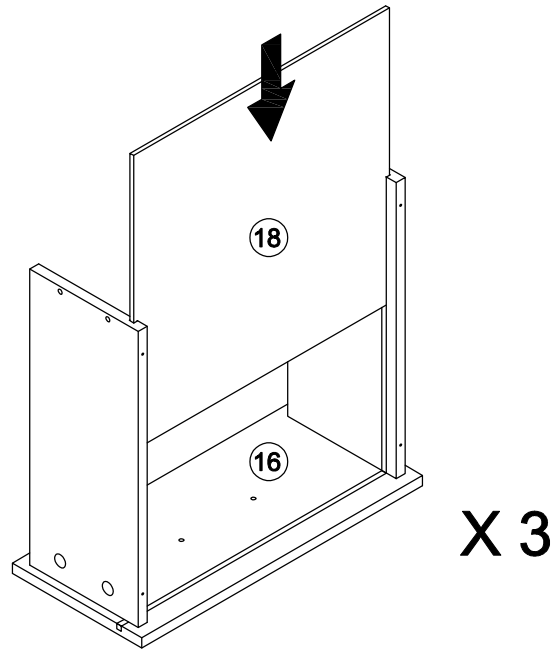
 B X 12



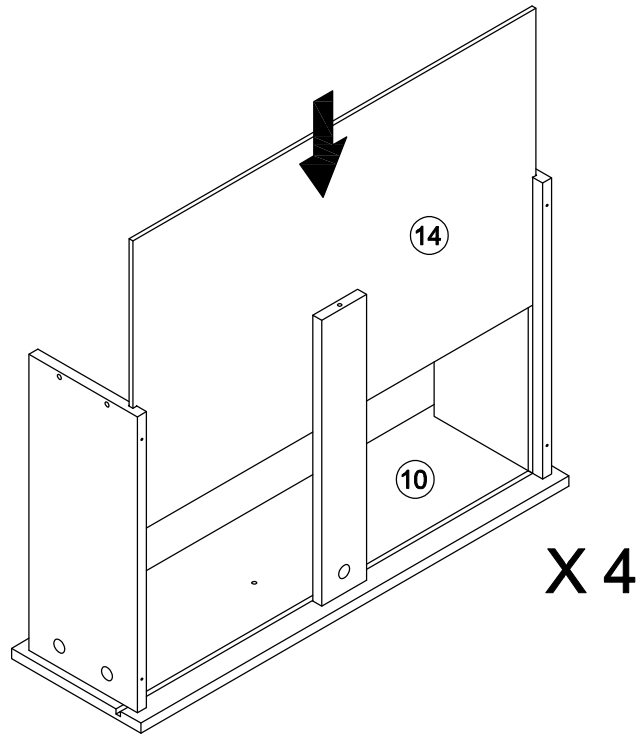
 B X 20

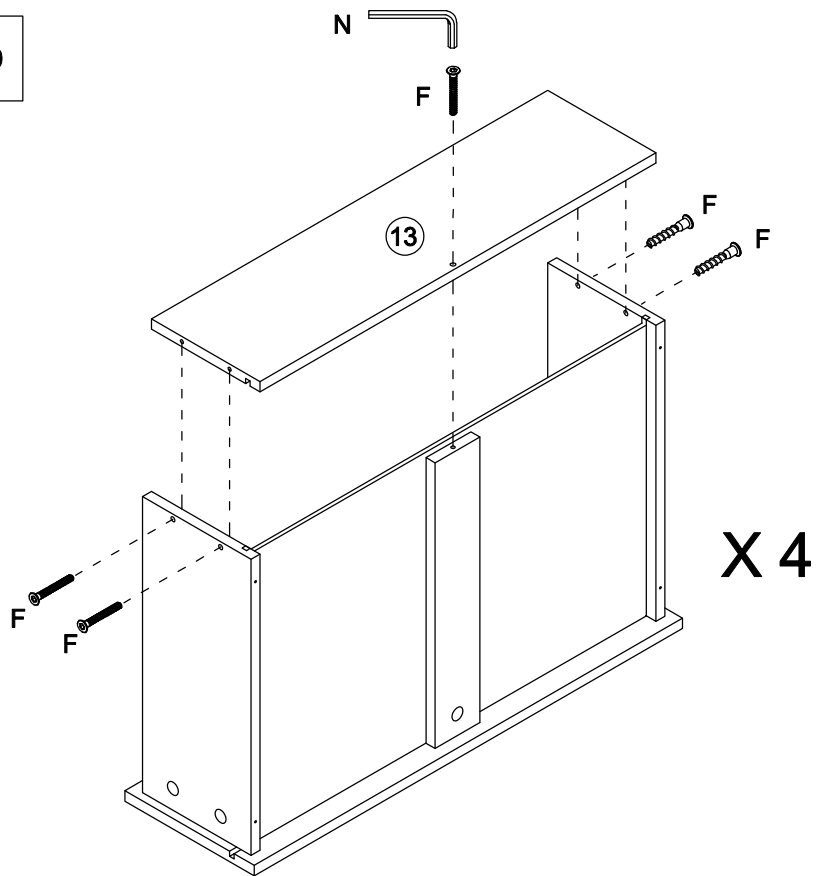
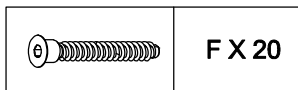
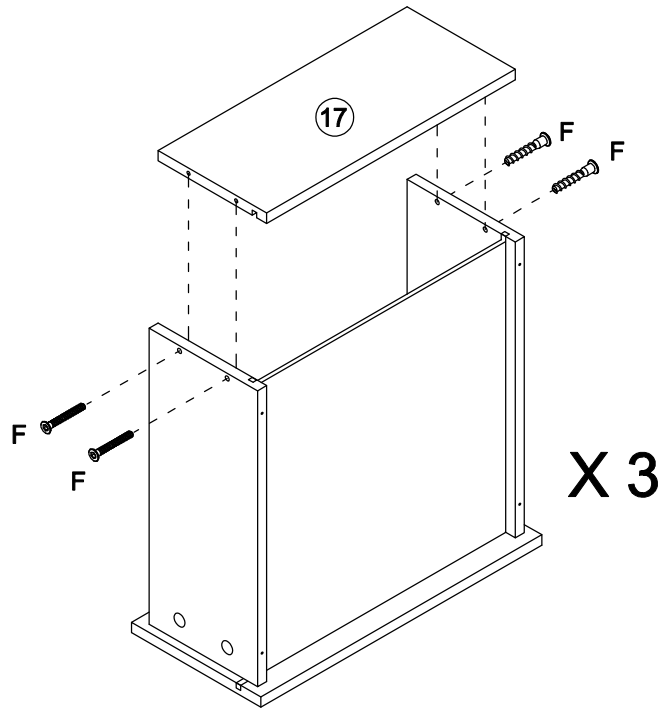
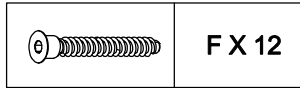



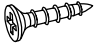
05

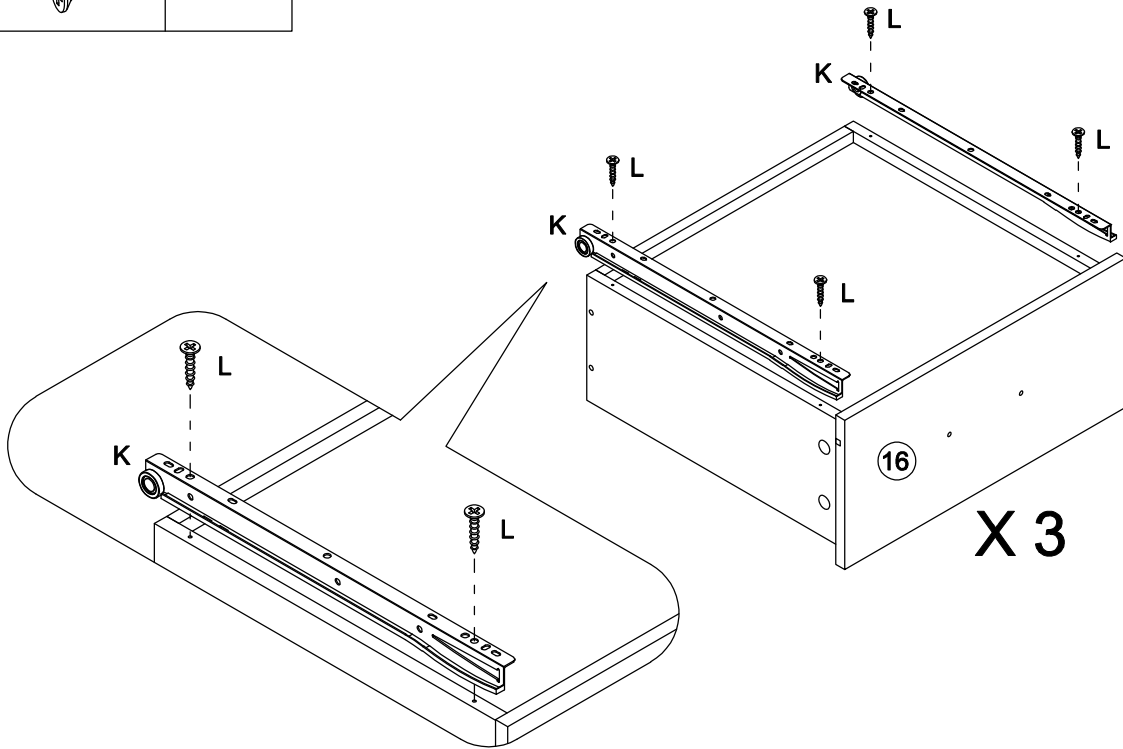



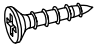
06

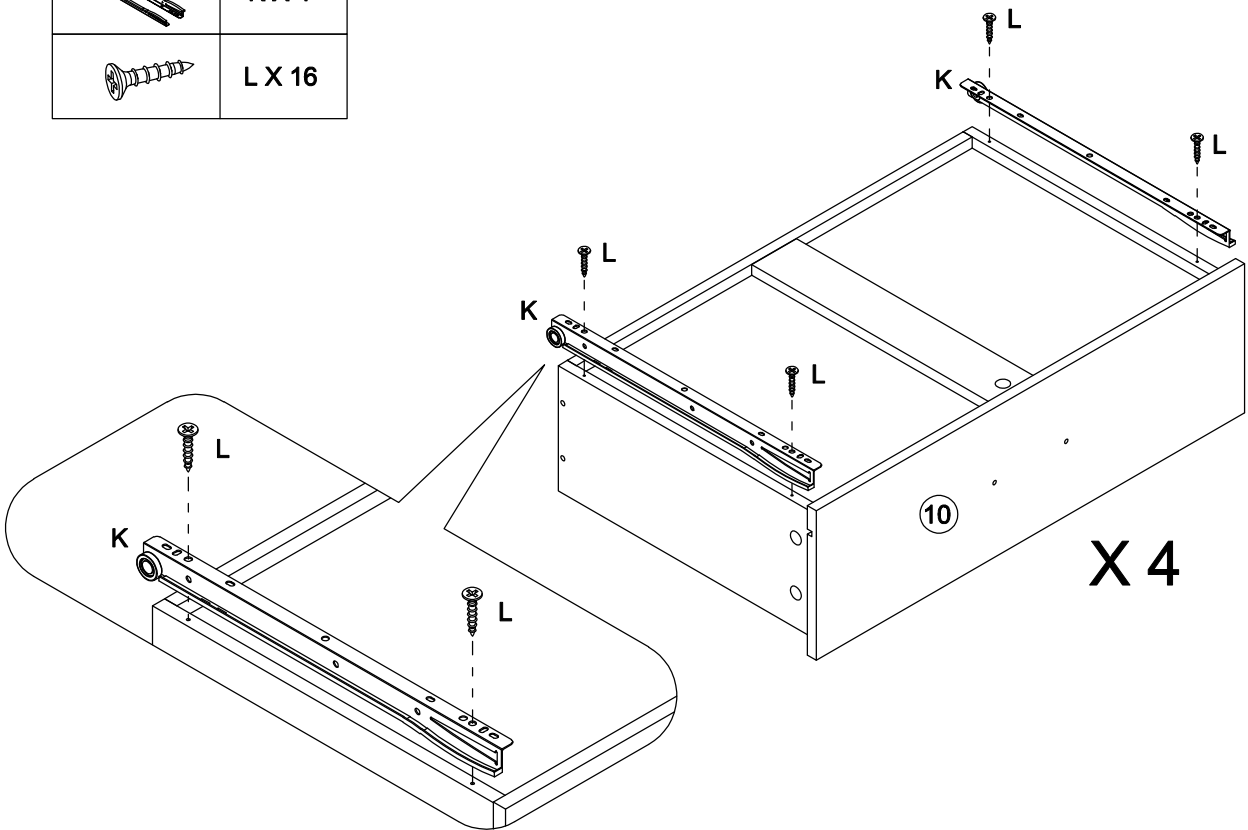



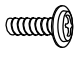


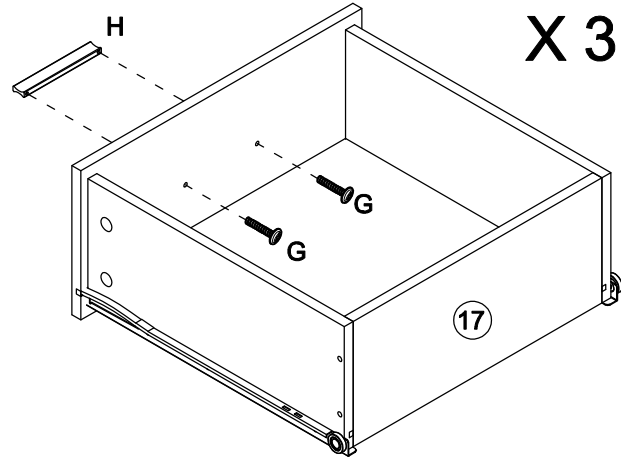
	KX3
	LX12


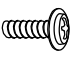


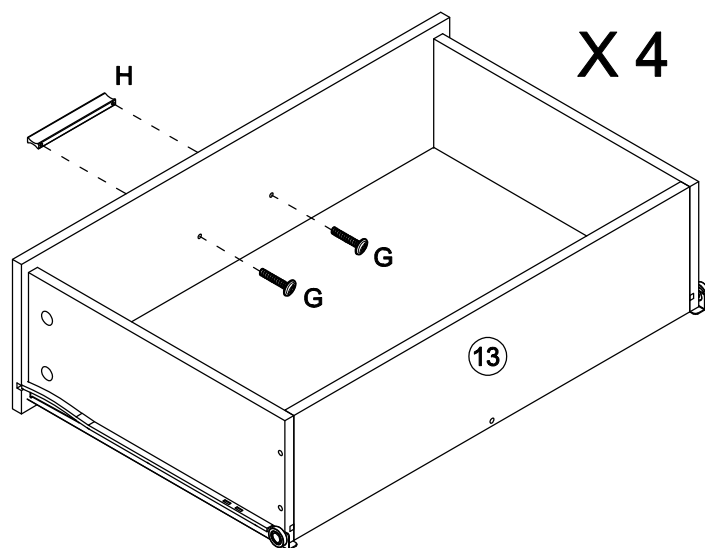
	KX4
	LX16


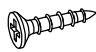


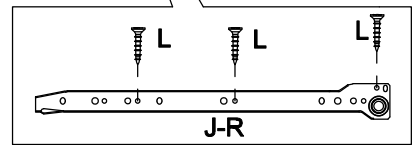
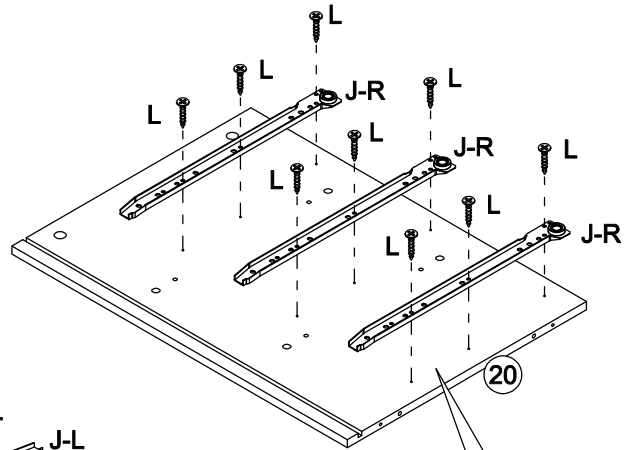
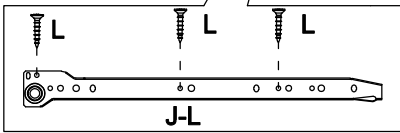
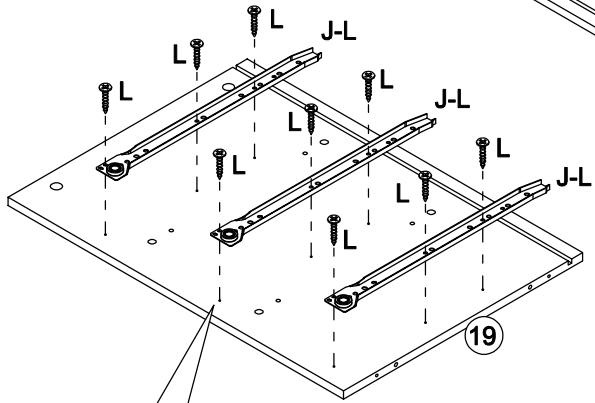
	HX3
	GX6

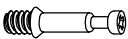


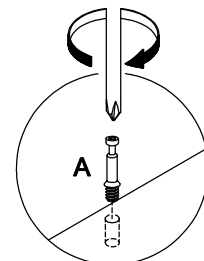
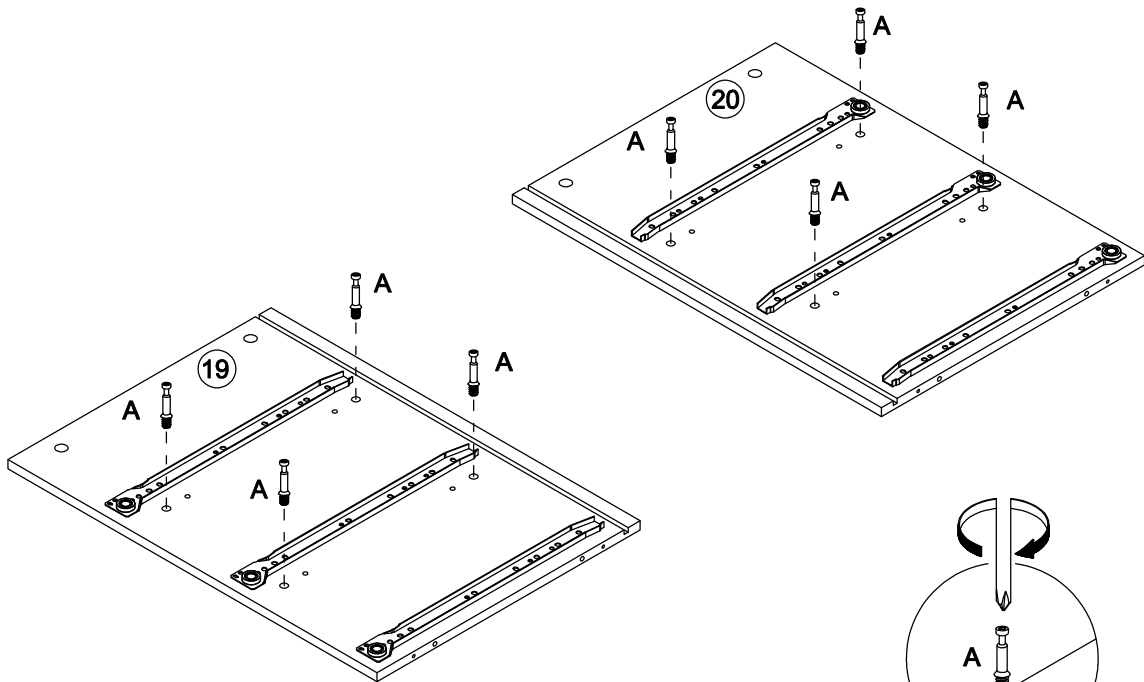
	HX4
	GX8



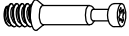


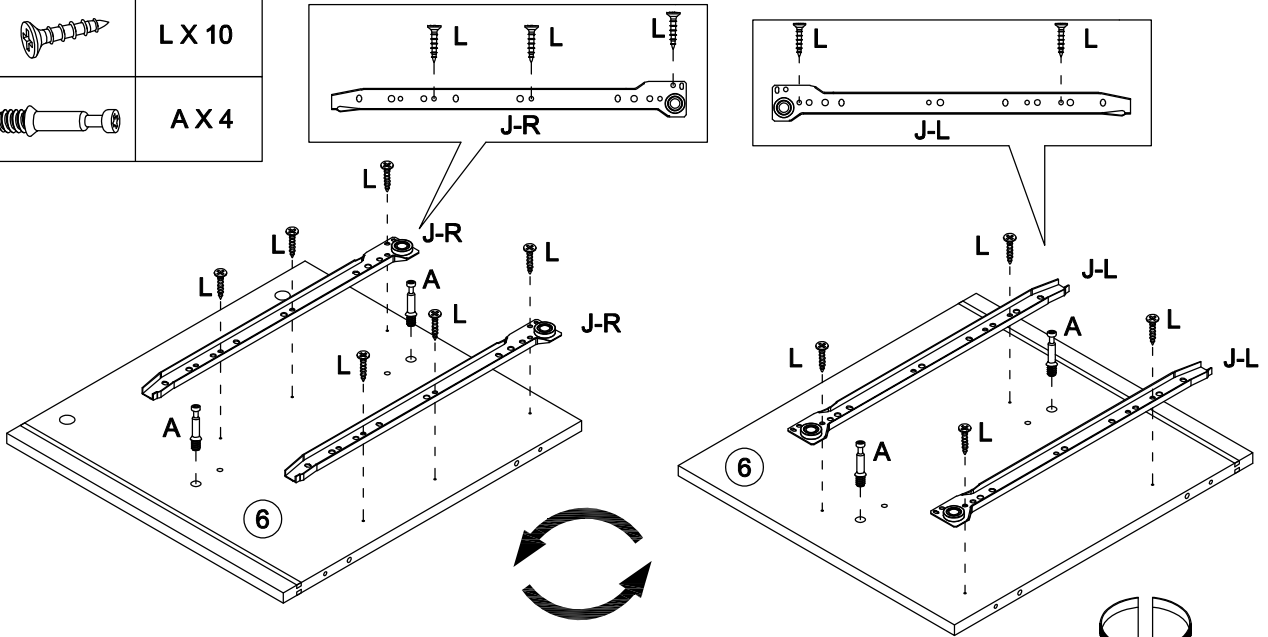
	J X 3
	L X 18



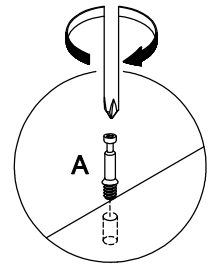
	A X 8
---	-------


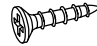


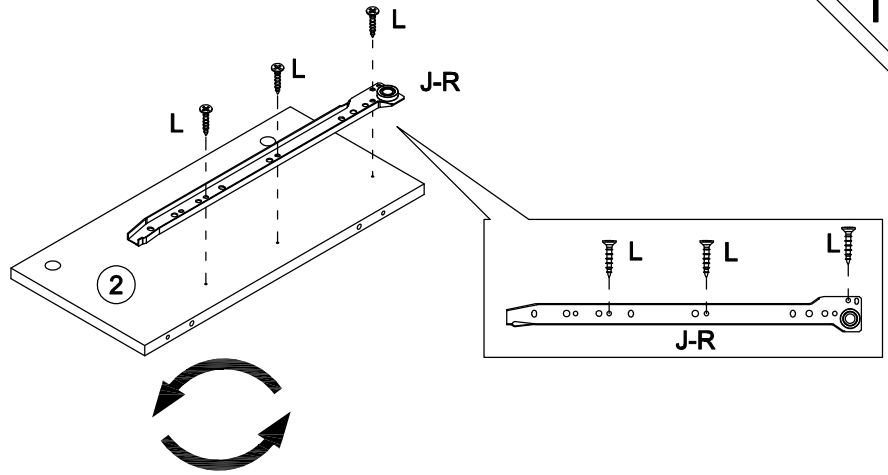
	J X 2
	L X 10
	A X 4



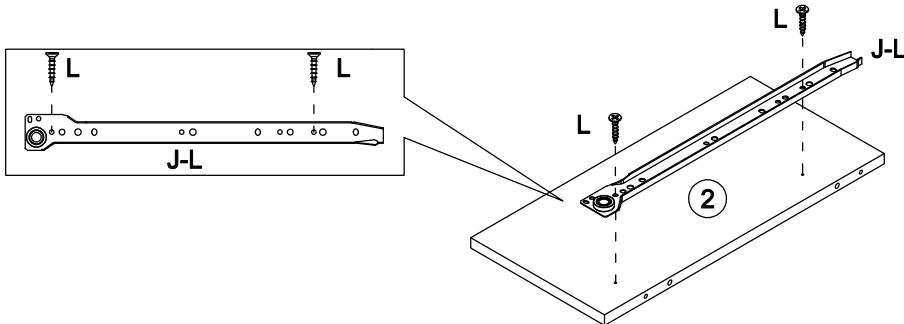
Please flip to the other side of the board.



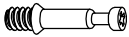
	J X 2
	L X 10

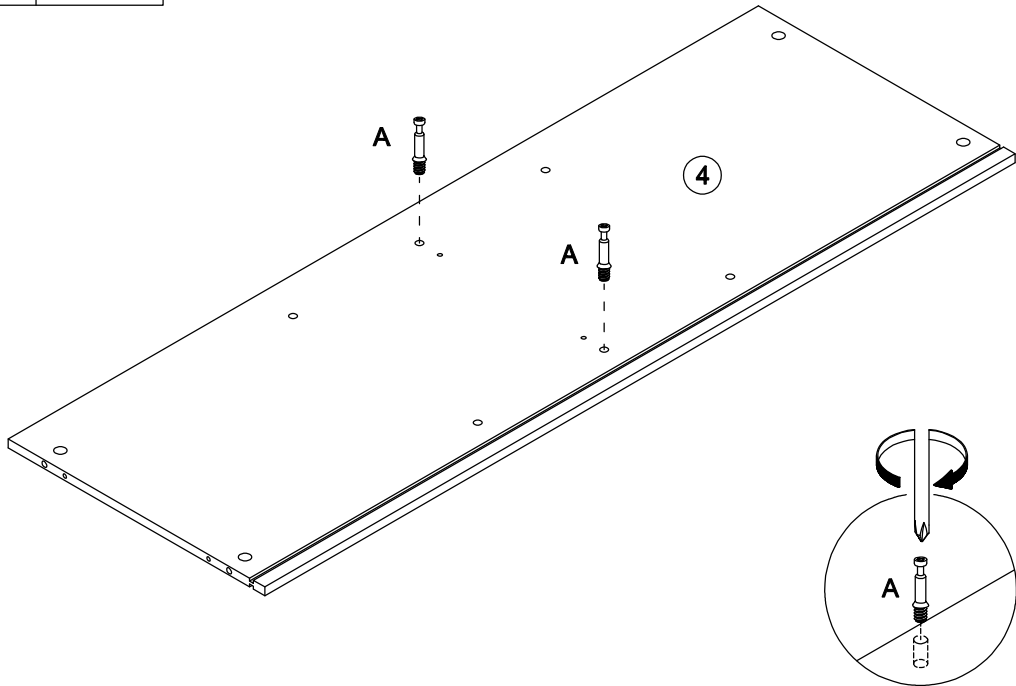




Please flip to the other side of the board.

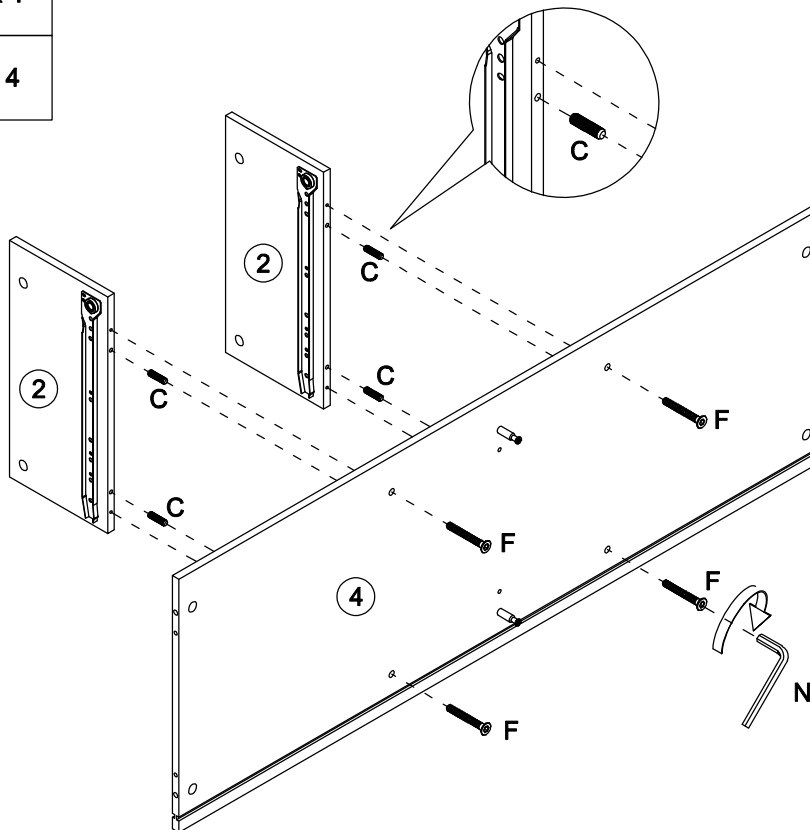




X 2

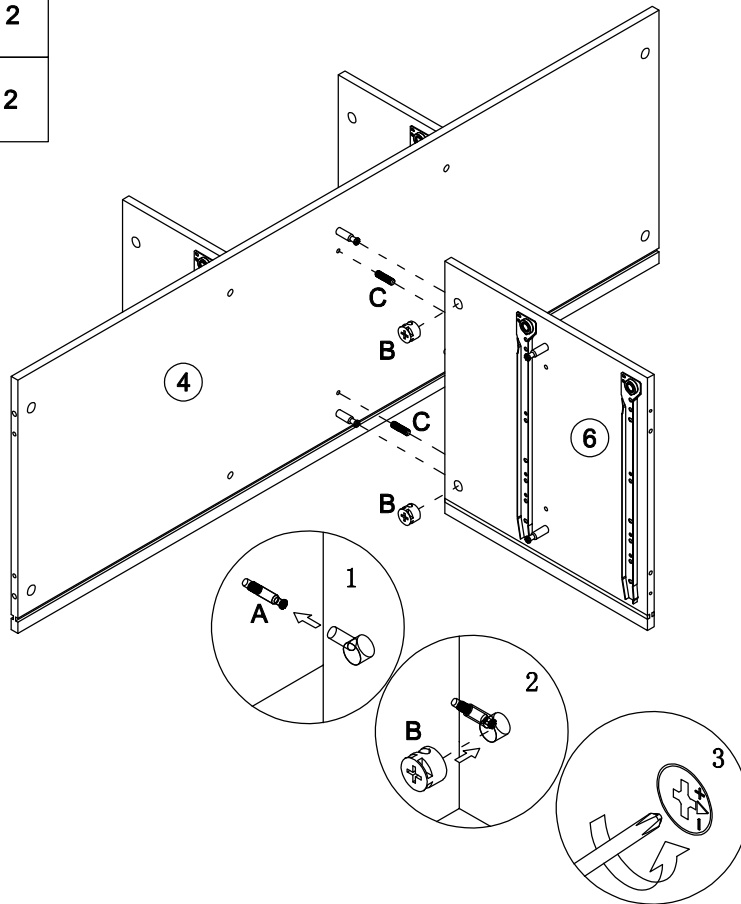
	AX2
---	------------





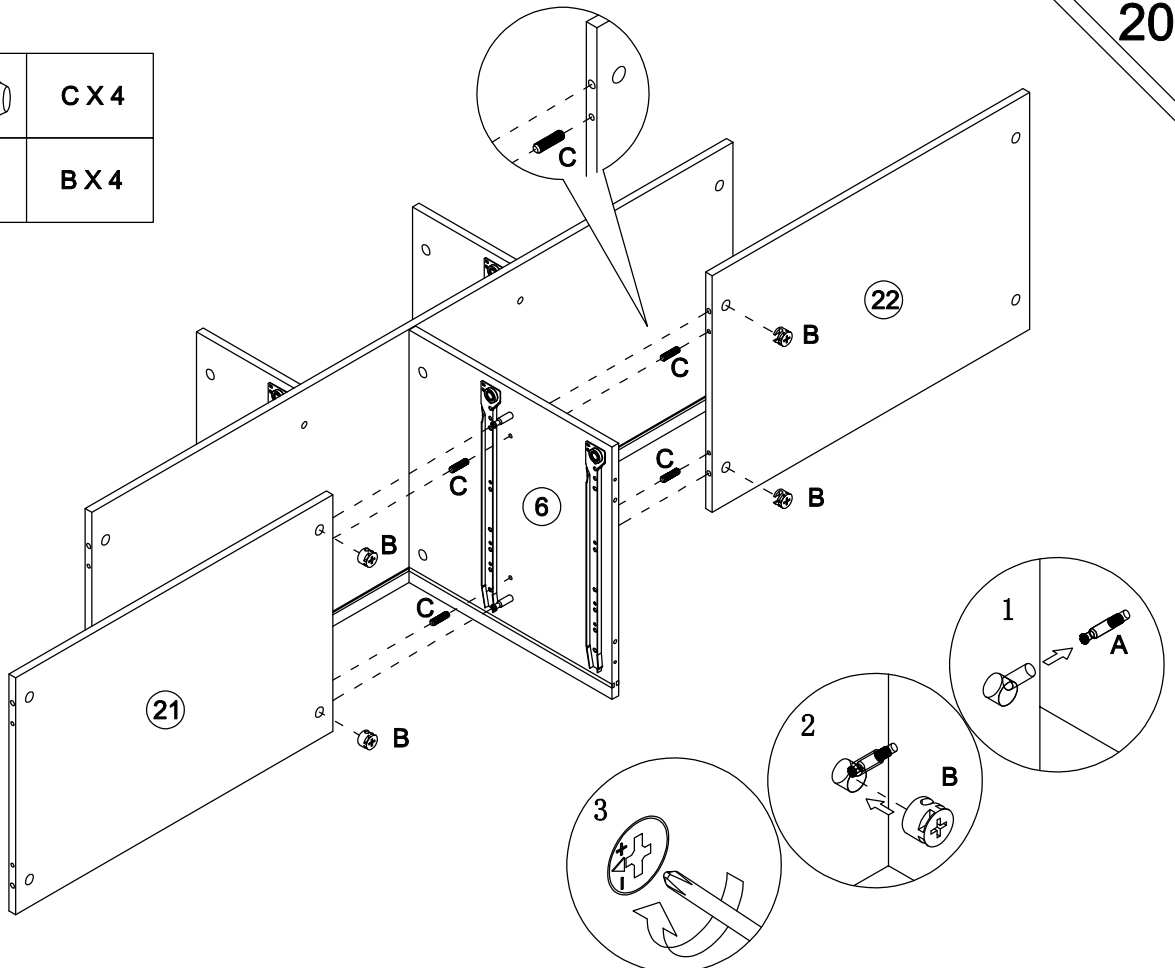
	CX4
	FX4





	C X 2
	B X 2

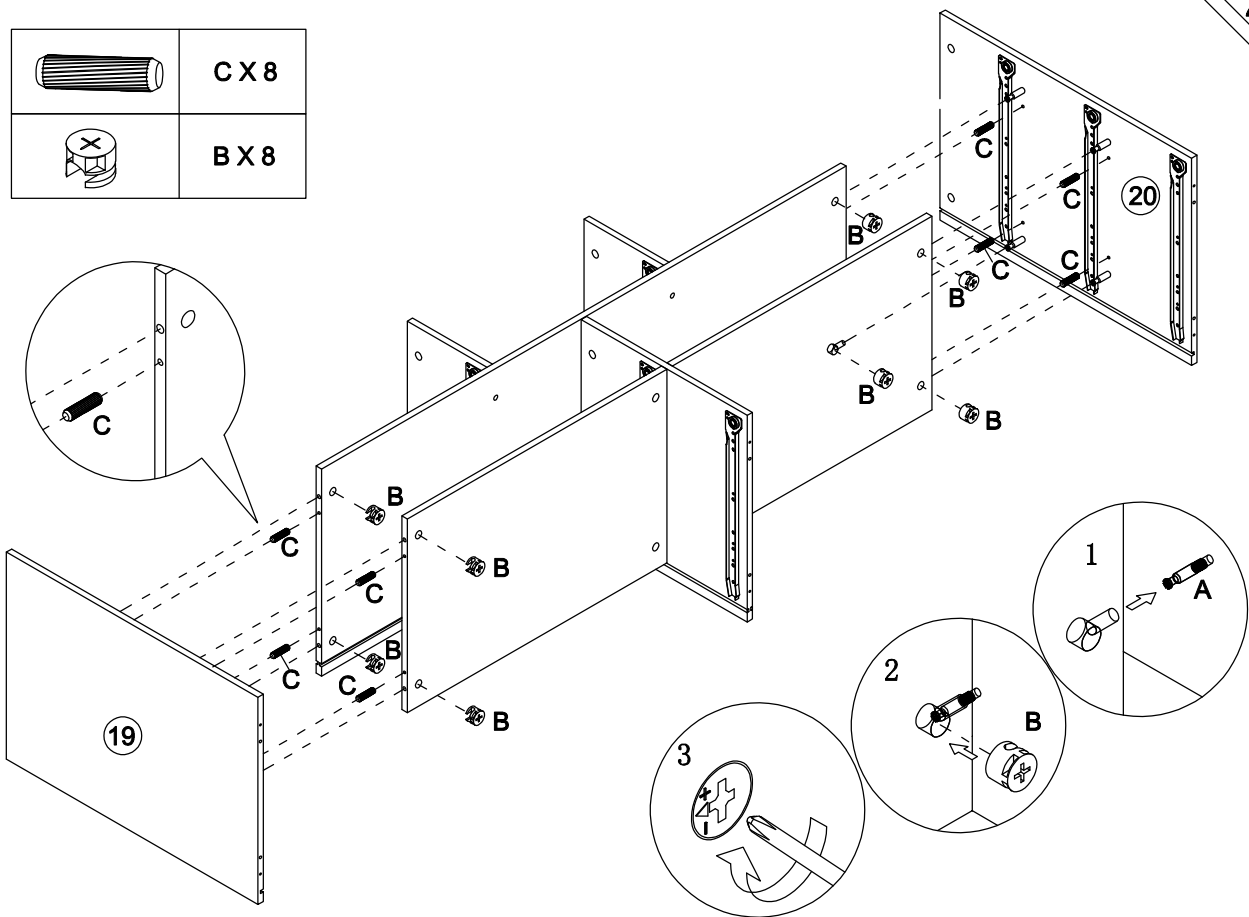


	C X 4
	B X 4

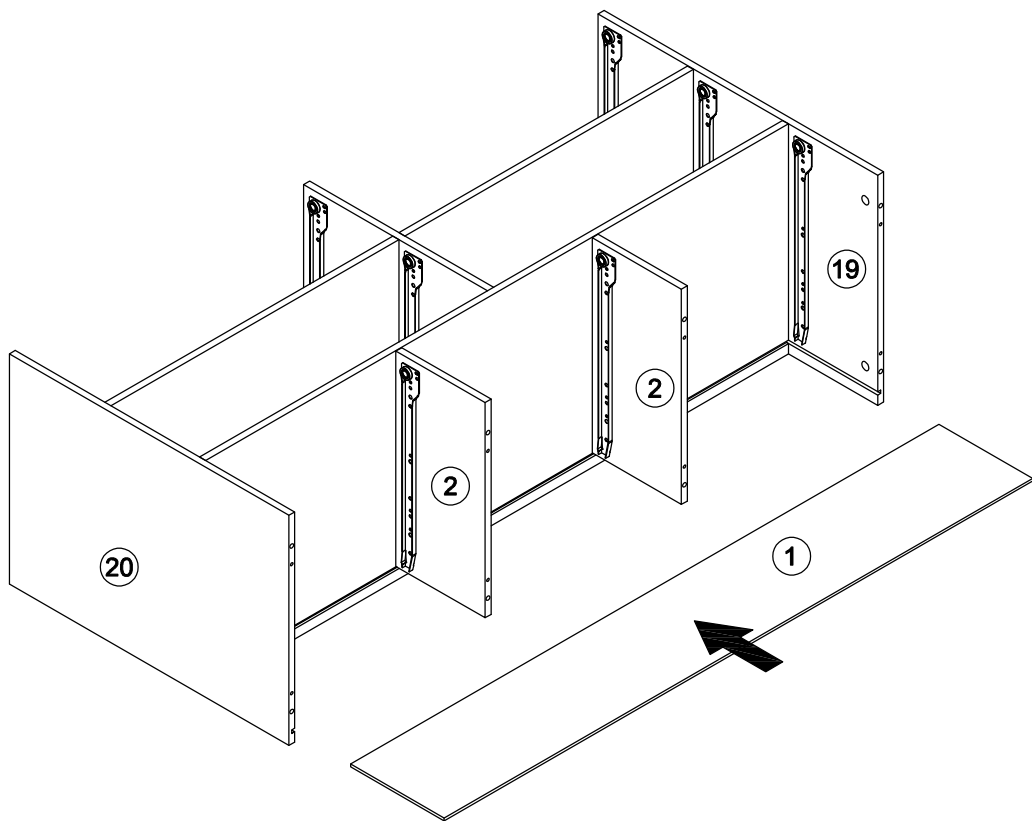


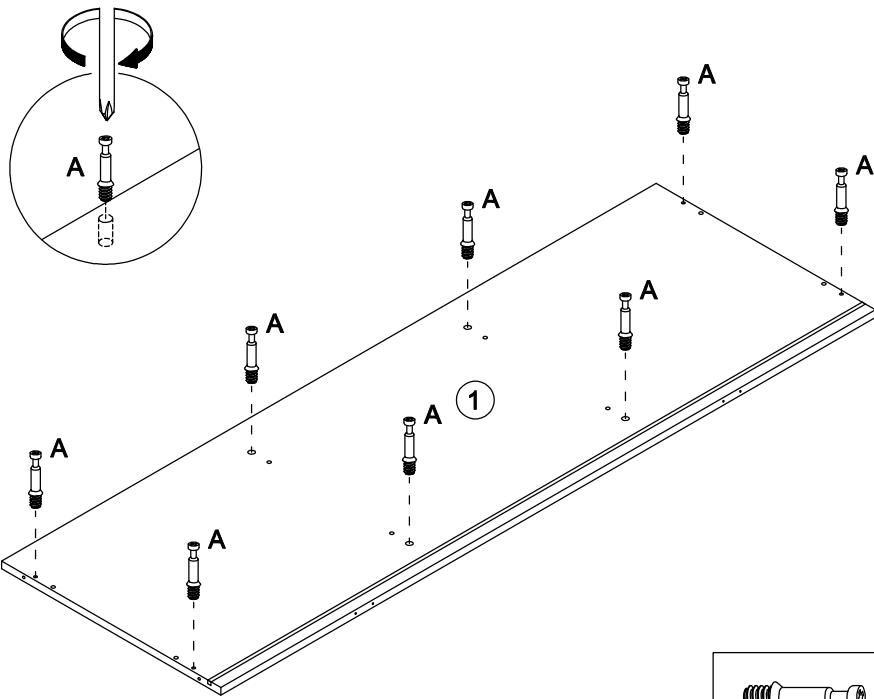
21

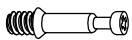
	C X 8
	B X 8

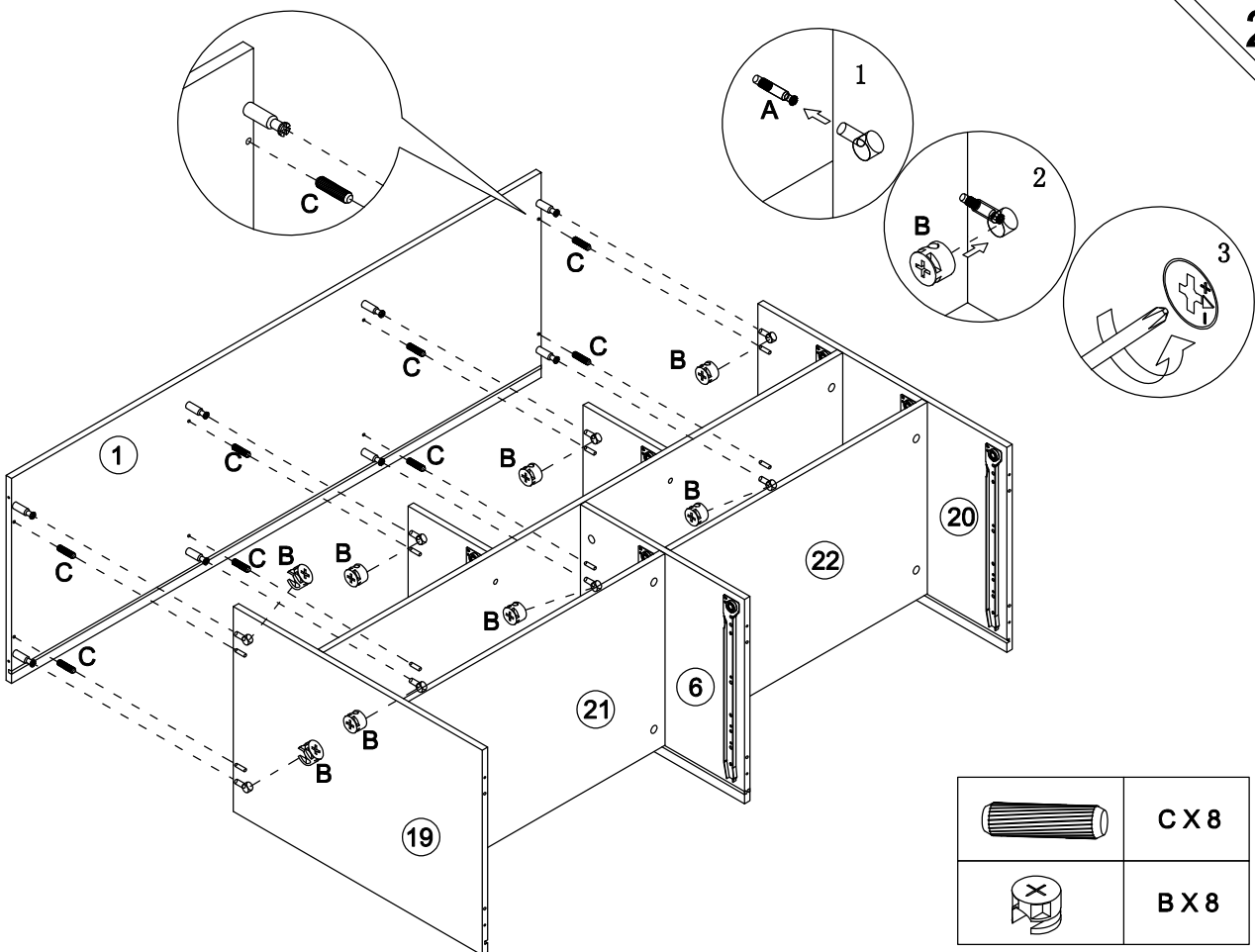




22

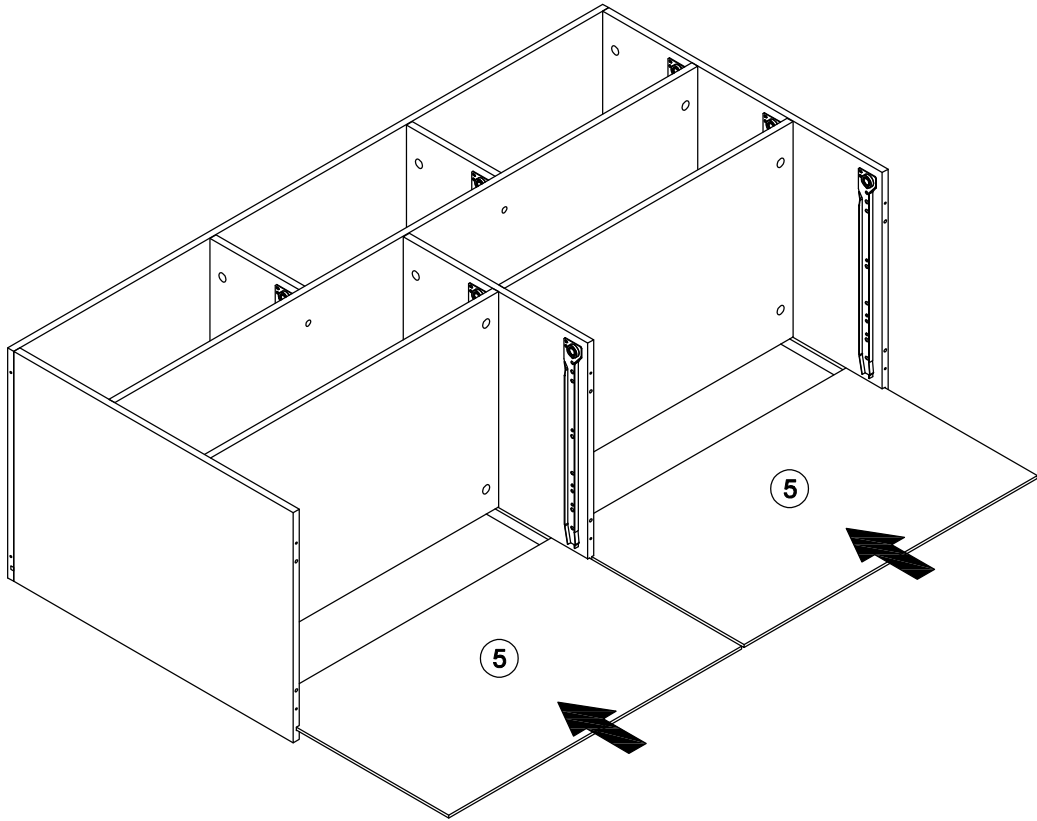






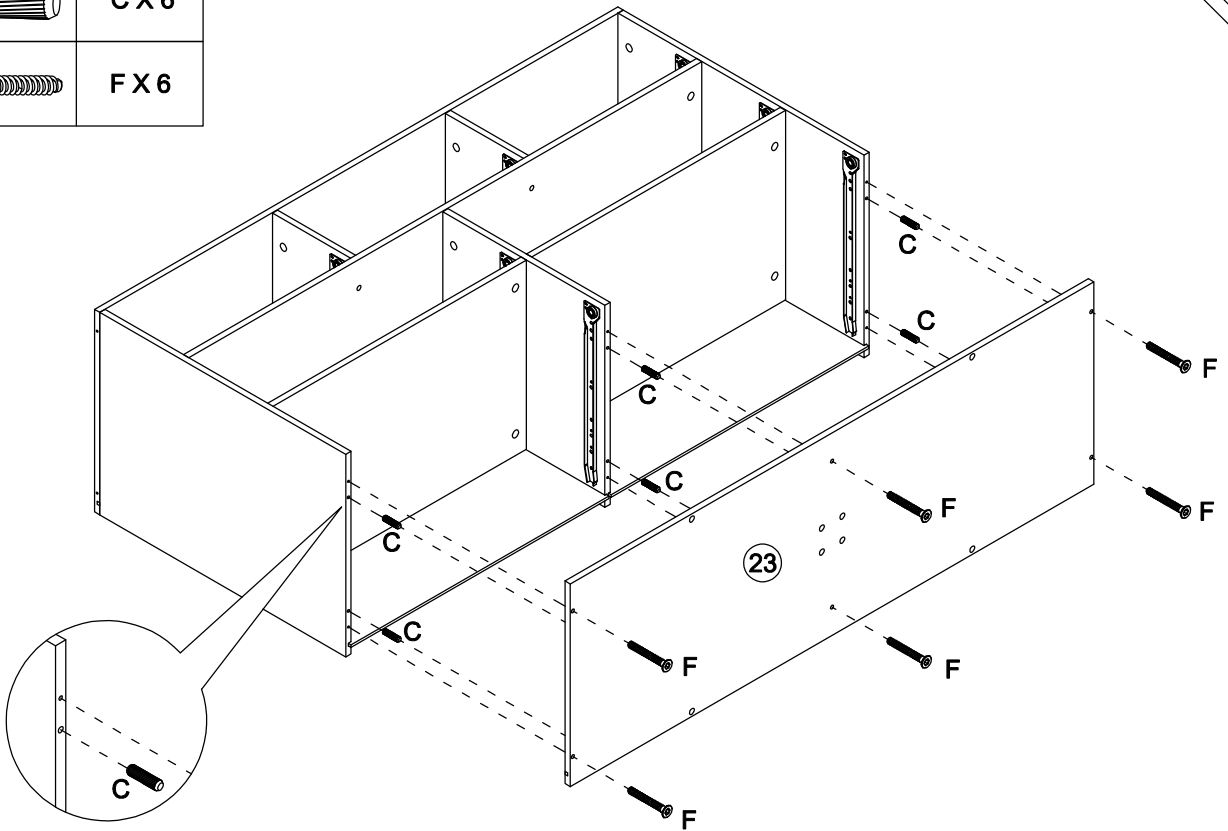
	AX 8
---	------

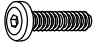


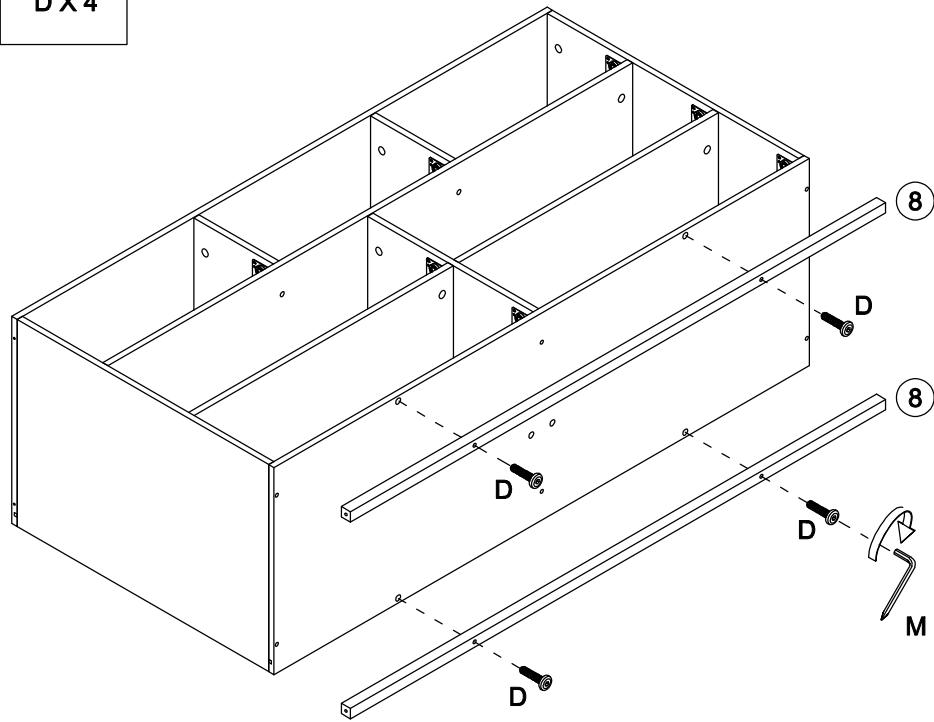
	CX 8
	BX 8

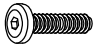



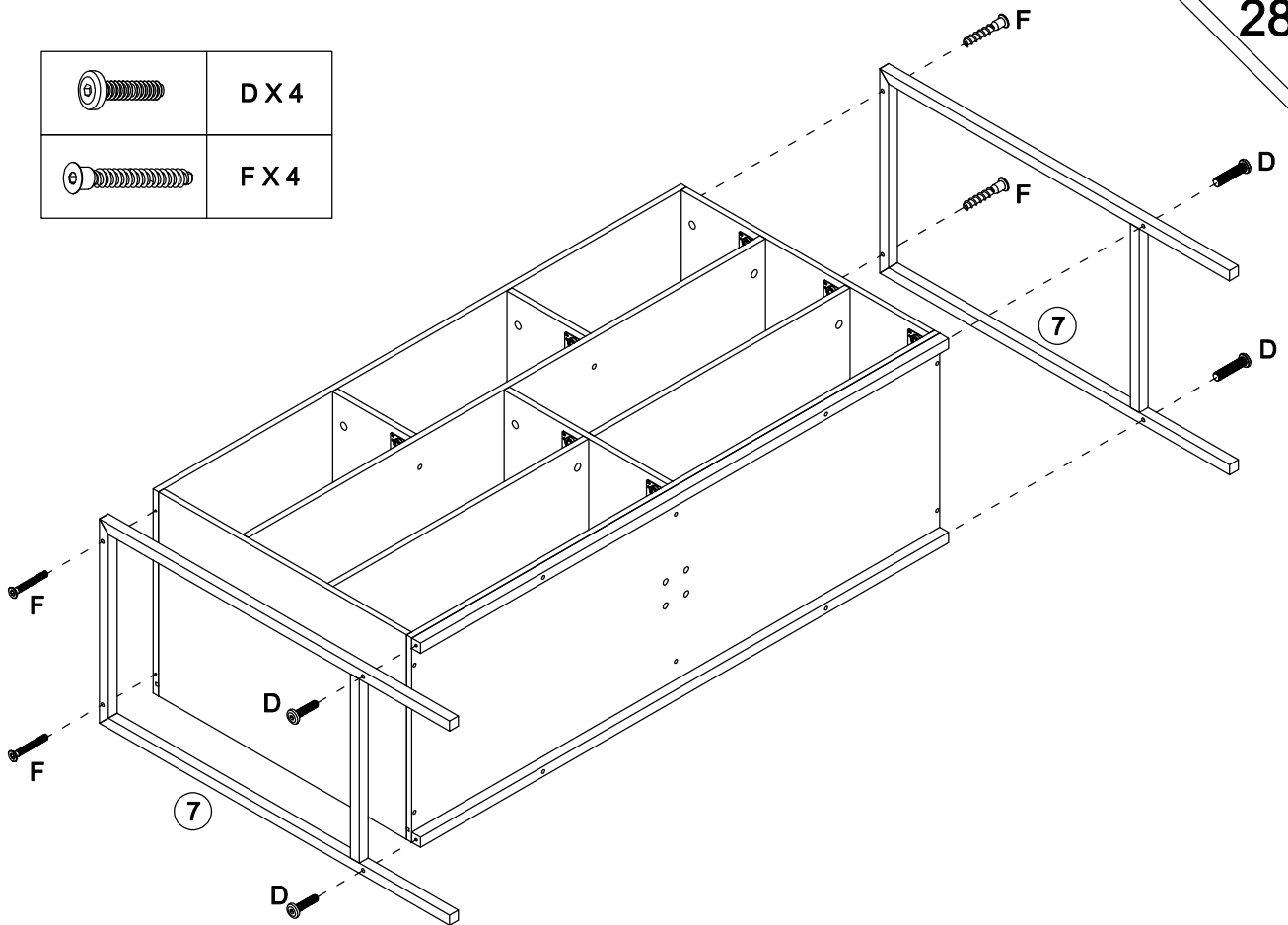
	CX6
	FX6

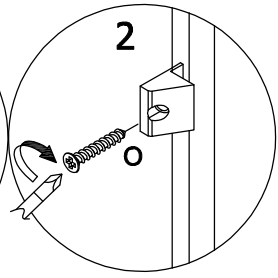
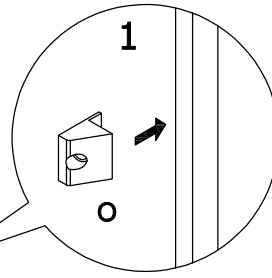
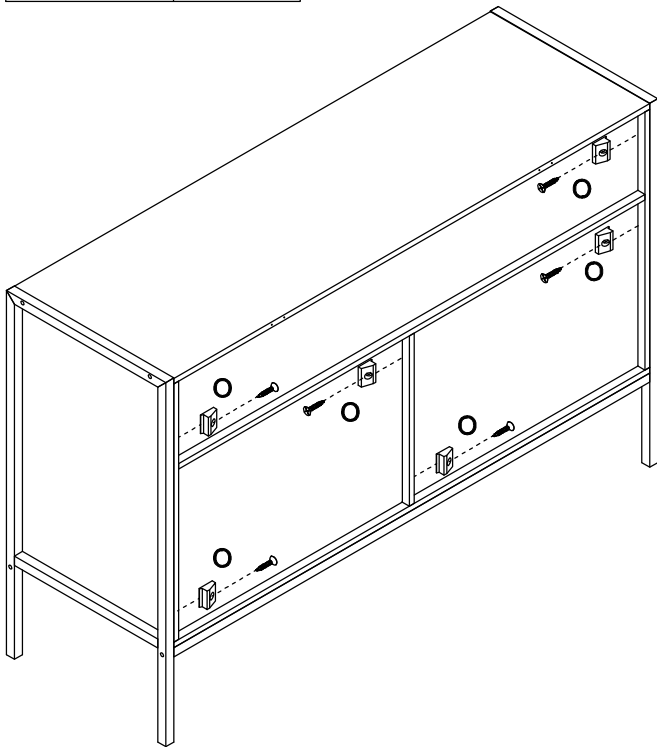
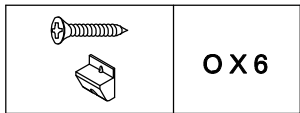
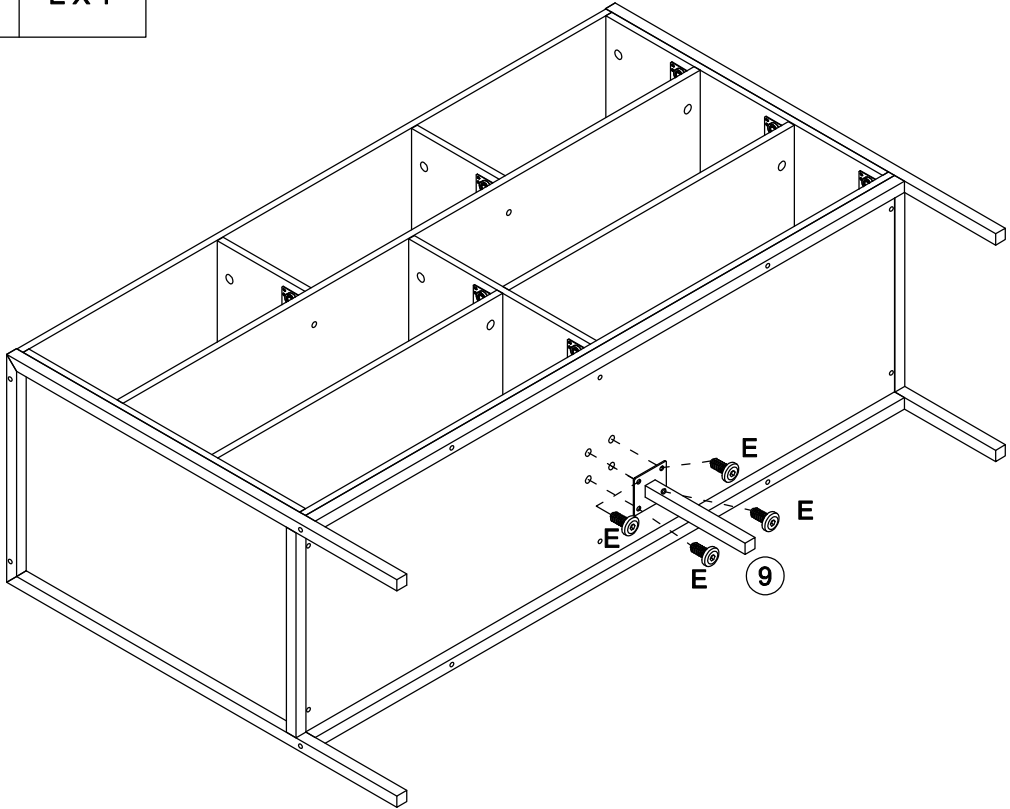
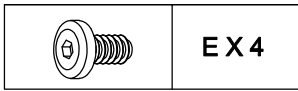


	DX4
---	-----

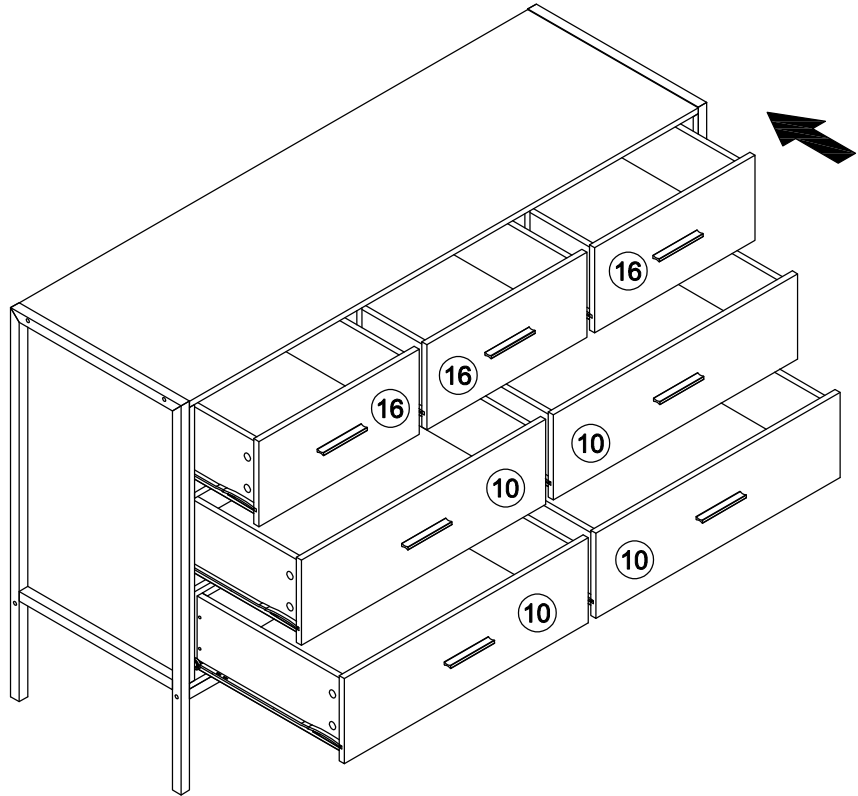
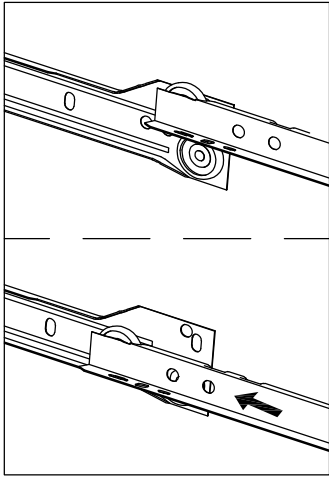


	DX4
	FX4

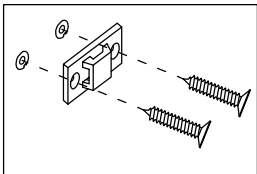
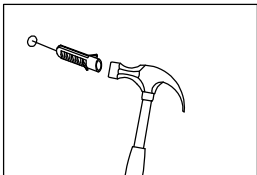
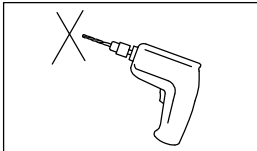
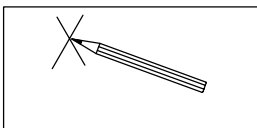
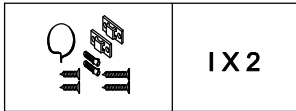




31



32



Note: use short screws here

