


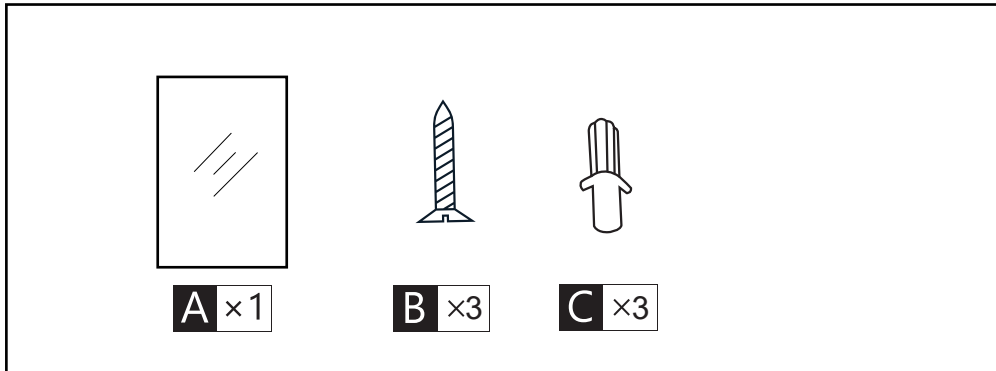
Smart LED Light Mirror







If you have any problem, please feel free to contact us

 Note: After opening the package, please immediately check the product for any damage or missing parts in transit. If anything is missing, please contact us. This document describes how to install and maintain devices.


PACKING LIST



INSTALLATION TOOLS

				
SCREWDRIVER	ELECTRIC DRILL	PENCIL	TAPE MEASURE	

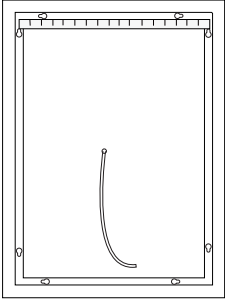
BEFORE INSTALLATION

 Congratulations on your purchase of the Smart LED light mirror. Please read these instructions carefully before starting installation.

1. The voltage range of this product is 110V.
2. You can connect the wire from the back center of the mirror directly to your electrical connection box or plug.
3. Use the product with care to prevent the sides and edges of the glass from being impacted.
4. Before drilling, ensure that there are no hidden pipes and cables in the wall.
5. Ensure that the fixed position can support the weight of the whole accessories. (solid stone/brick wall)
6. Disconnect the power supply before installing, adding, or replacing any component.
7. It is recommended that the installation be carried out by qualified technical personnel.
8. Wear proper eye protection when drilling. Be careful when using power tools near the water.
9. It is recommended that at least two persons perform the installation together.

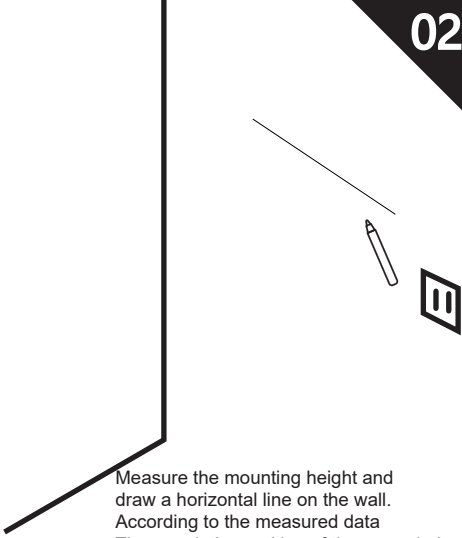
INSTALLATION INSTRUCTIONS

01



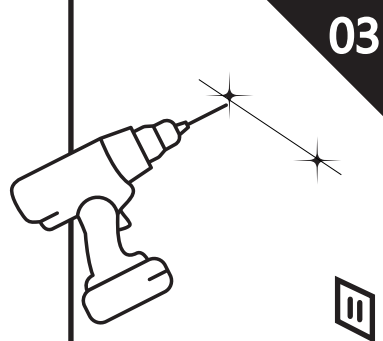
Measure the center distance between two hooks

02

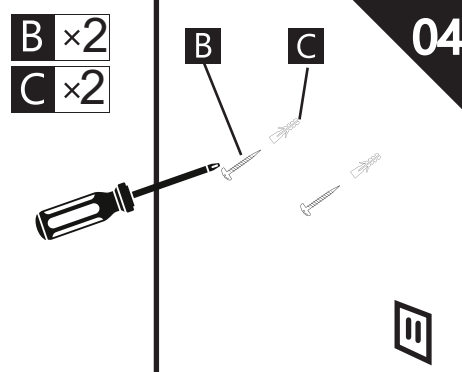


Measure the mounting height and draw a horizontal line on the wall. According to the measured data Then mark the position of the screw hole

03



04

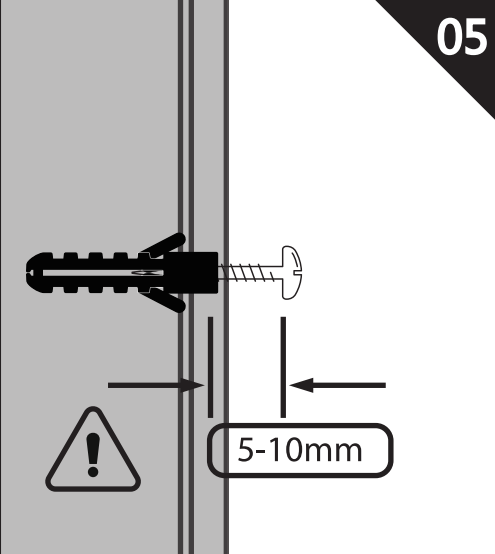


$B \times 2$
 $C \times 2$

plug goes directly into the socket

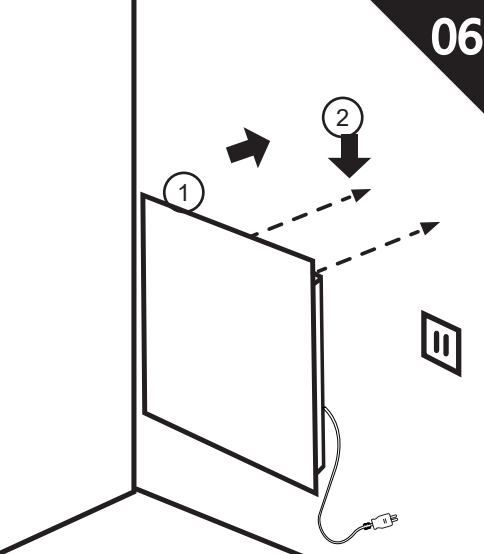
INSTALLATION INSTRUCTIONS

05

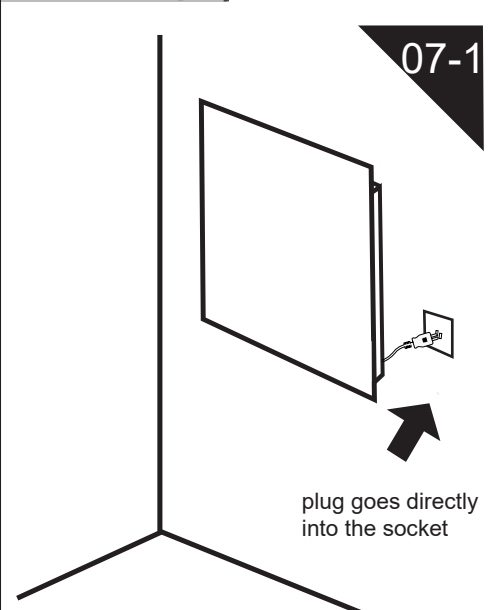


5-10mm

06

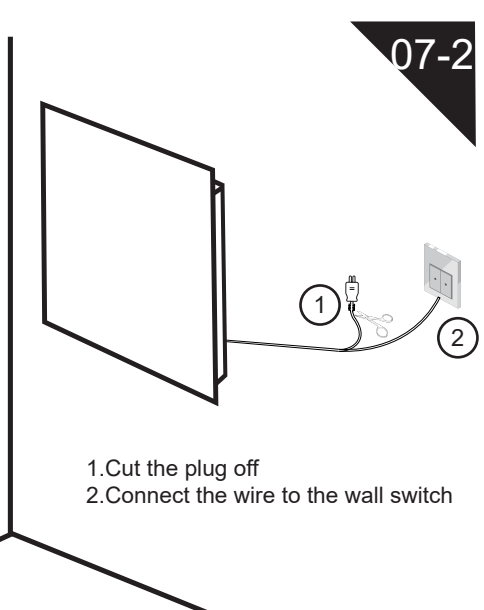


07-1



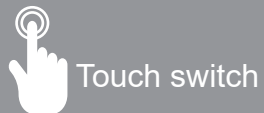
plug goes directly into the socket

07-2



1. Cut the plug off
2. Connect the wire to the wall switch

FUNCTION DESCRIPTION



- ① Both LED lights and anti-fog control
- ② when the light is turned off, long press can turn off the total power supply



Colorful
Monochrome

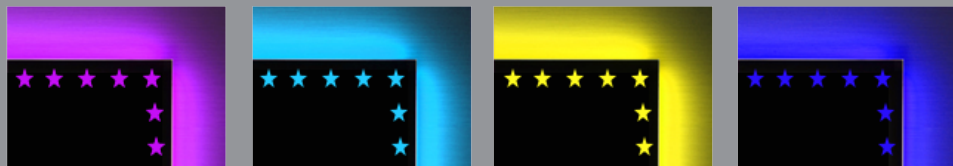


Colorful

White

Red

Green



Pink

Cyan

Yellow

Blue

SAFETY INSTRUCTIONS AND WARRANTY

Pre-installed

If any parts are missing or damaged, compare all parts with those listed in the package contents section. Do not install or use this lamp. Contact customer service.

Warning: Danger of electric shock

- Turn off the power on the fuse or circuit breaker box before connecting the wiring fixture to power.
- Turn off the power for any maintenance.
- Check whether the power supply voltage is correct by referring to the label information of the lamp.
- Electrical and grounding connections are made in accordance with the national Electrical code and any applicable local code requirements.
- All wiring connections shall be UL certified wire connectors.

Caution: Danger of injury

- Gloves and safety glasses should be worn when removing, installing, repairing or maintaining the luminaire from the carton.
- Avoid direct eye contact with light source when powering on.
- Consider small parts and destroy packaging materials as these can be harmful to children. The mirror is very heavy. Let the rescuers pick it up. Two people performing this installation is the easiest.

Warning: Risk of burn

- Allow clamp to cool before handling. Do not touch the shell or light source.
- Follow all lamps manufacturer's warnings, recommendations and restrictions, including drive type, lighting location, installation location method, replacement and recycling.

Product warranty

Product warranty from the date of purchase, manufacturer warranty for one year. If you have any questions, please feel free to contact us. We'll give you a satisfactory solution