

---

## General Guidelines

- Please read the following instruction carefully and use the product accordingly.
- Please keep this manual and hand it over when you transfer the product.
- This summary may not include every detail of all variations and considered steps. Please contact us when further information and help are needed.

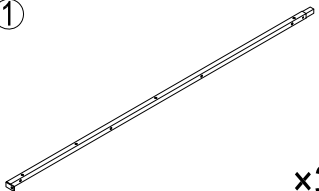
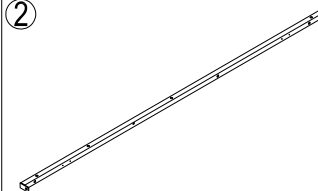
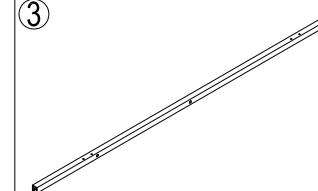
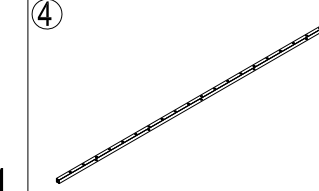
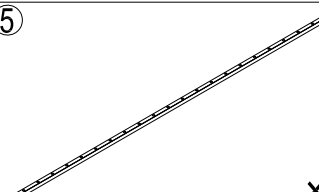
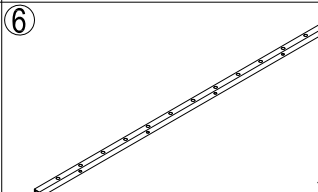
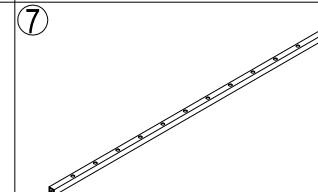
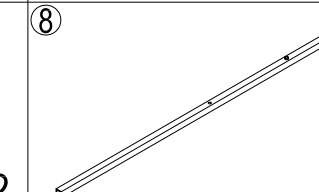
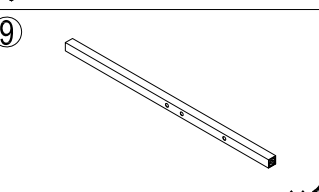
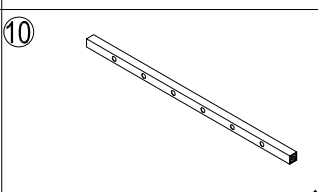
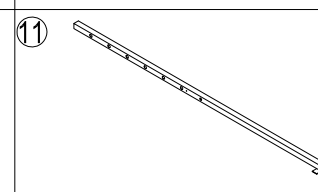
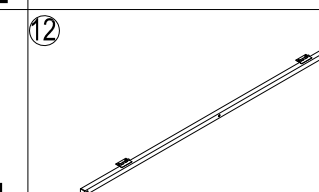
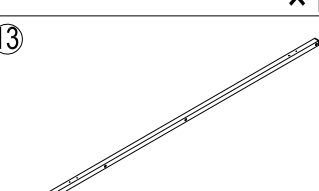
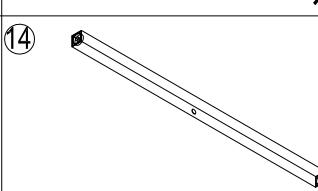
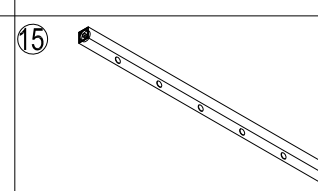
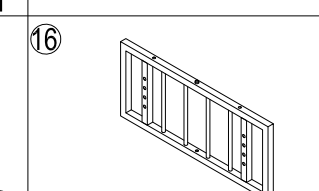
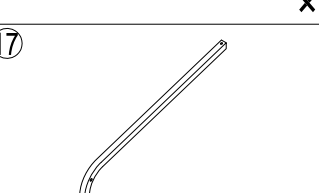
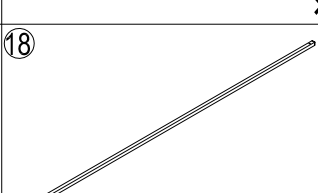
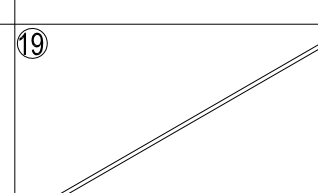
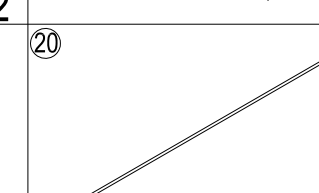
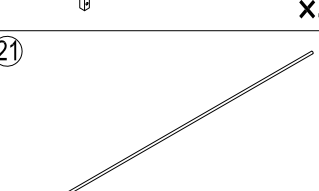
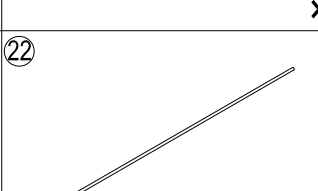
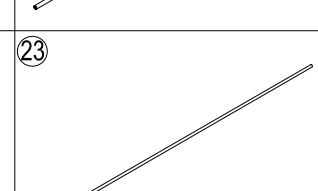
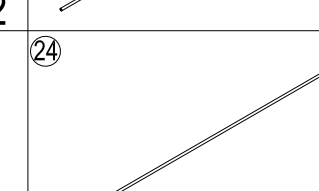
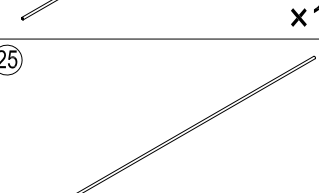
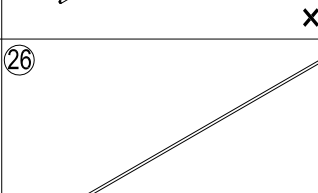
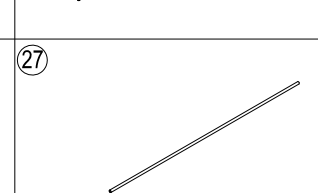
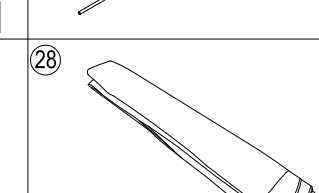
## Notes

- The product must be assembled and used in accordance with the provisions of the manual. Personal injury and/or damage to product may occur if products are used outside of their intended purposes and/or if products have been changed/modified from their original design. The seller does not assume any responsibility or liability with respect to any injury/damage caused by incorrect assembly or improper use.
- Do not place any hot objects on the surface of the product.
- If there are any defective or missing parts after unpacking, please cease assembly immediately and contact us.
- Please assemble the item on a spacious surface and do not place the unwrapped product directly on the ground to avoid product damage.
- Please wear gloves during the assembly and/or disassembly process to avoid scratches from any sharp edges.
- Please match the corresponding part and fitting based on the part number in the manual.
- If the part does not match with the fitting, please check the piece as specified in this manual.
- During assembly, first loosely align all screws with the corresponding pre-drilled holes and then tighten the screws one by one.
- Periodically inspect screw tightness while the product is in use. If necessary, retighten to ensure structural integrity.
- Please keep the product away from sharp, pointed objects and corrosive substances to prevent product damage.
- Please place this item on level, solid ground during use.

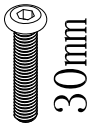
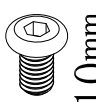

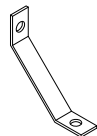
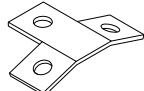
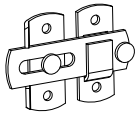
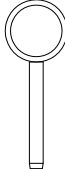
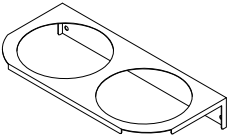

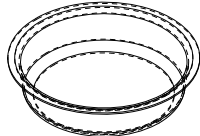
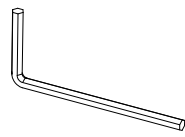
## Warnings

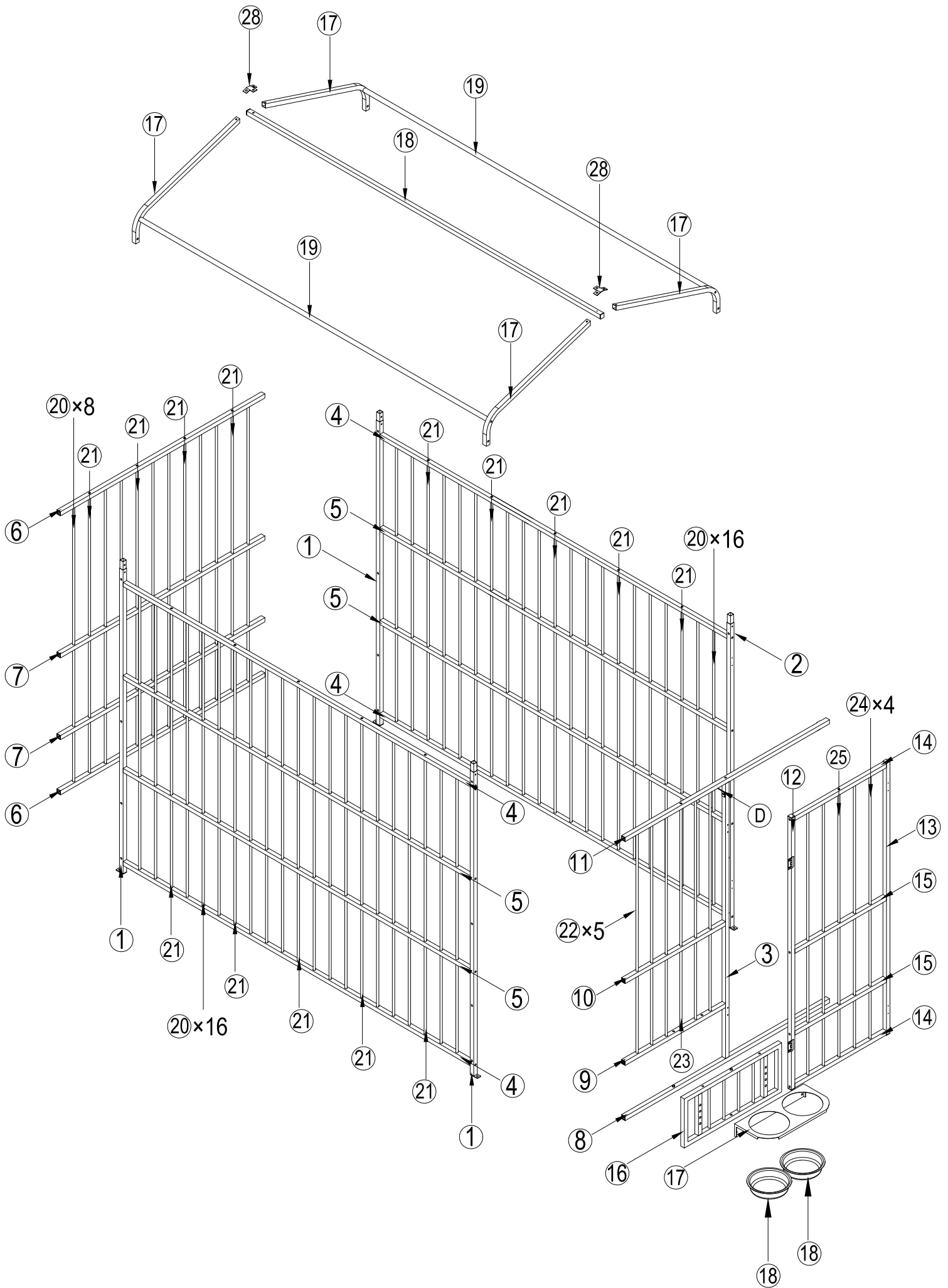
- During assembly, keep all small parts out of the reach of children. It may be fatal if swallowed or inhaled.
- Children should not climb or play on the product in order to avoid tipping over the furniture and causing serious injury.
- To avoid the potential dangers of suffocation, please keep all parts and packaging (film plastic bags, foam, etc.) away from babies and children.
- Keep sharp objects and corrosive items away from the product to avoid any damage or injury.
- Do not shake or move violently during use to avoid tipping over the product.

# Part list

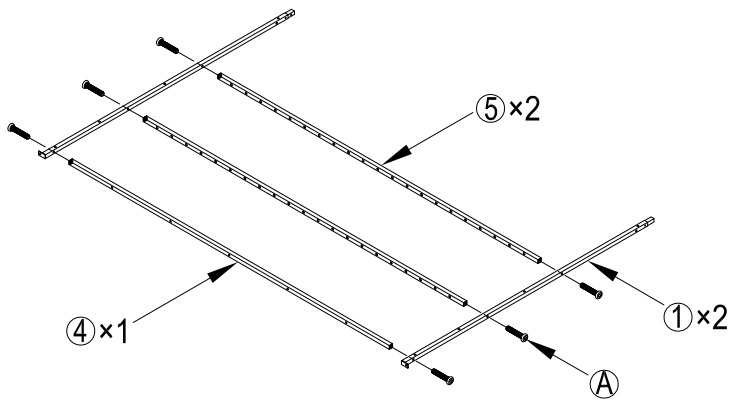
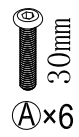
①  x3	②  x1	③  x1	④  x4
⑤  x4	⑥  x2	⑦  x2	⑧  x1
⑨  x1	⑩  x1	⑪  x1	⑫  x1
⑬  x1	⑭  x2	⑮  x2	⑯  x1
⑰  x4	⑱  x1	⑲  x2	⑳  x40
㉑  x14	㉒  x5	㉓  x1	㉔  x4
㉕  x1	㉖  x2	㉗  x1	㉘  x1

# Hardware list

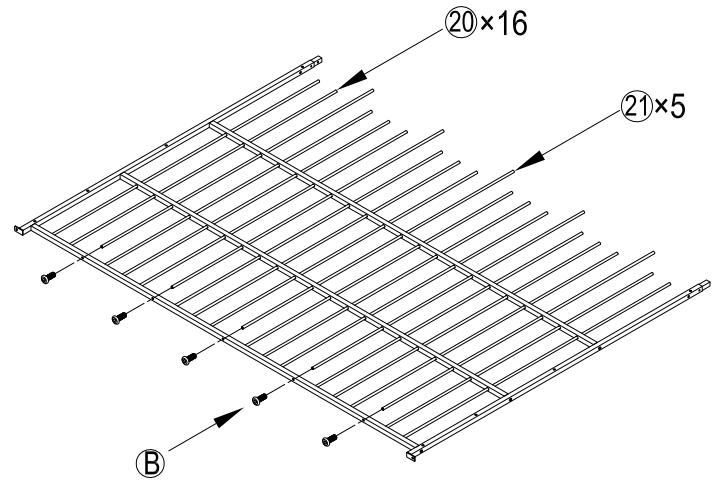
<p>(A)</p>  <p>30mm</p> <p>x46</p>	<p>(B)</p>  <p>10mm</p> <p>x48</p>	<p>(C)</p>  <p>10mm</p> <p>x12</p>	<p>(D)</p>  <p>x1</p>
<p>(E)</p>  <p>x2</p>	<p>(F)</p>  <p>x2</p>	<p>(G)</p>  <p>x2</p>	<p>(H)</p>  <p>x1</p>
<p>(I)</p>  <p>x4</p>	<p>(J)</p>  <p>x2</p>	 <p>x1</p>	



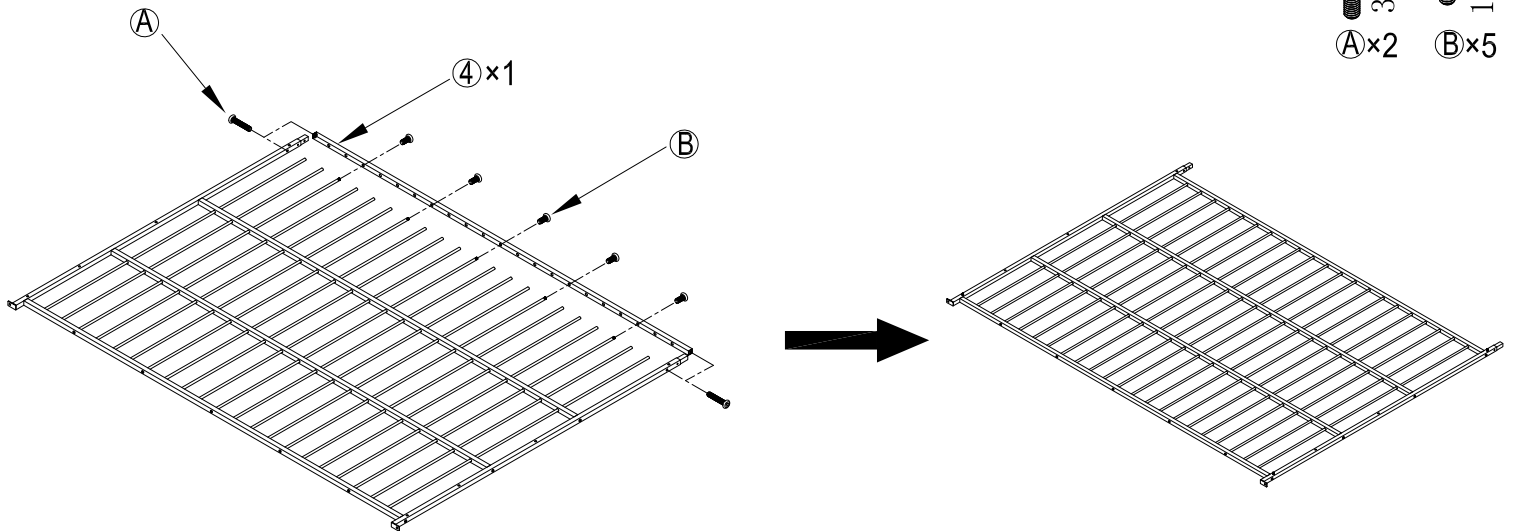
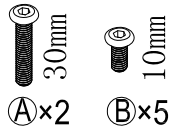
1



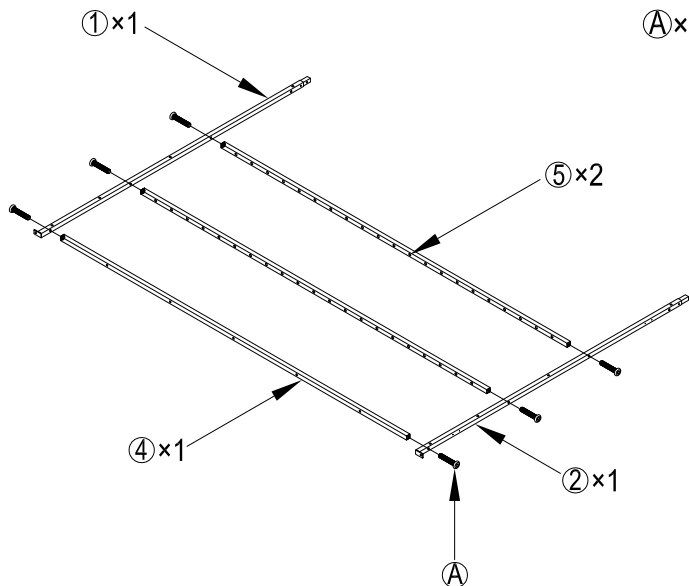
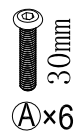
2



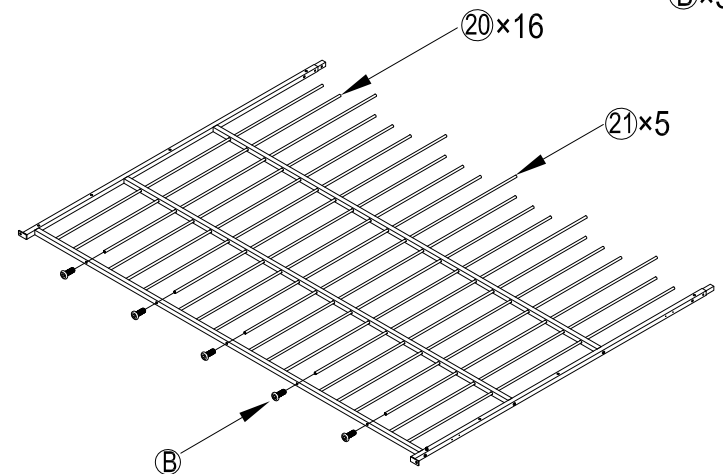
3



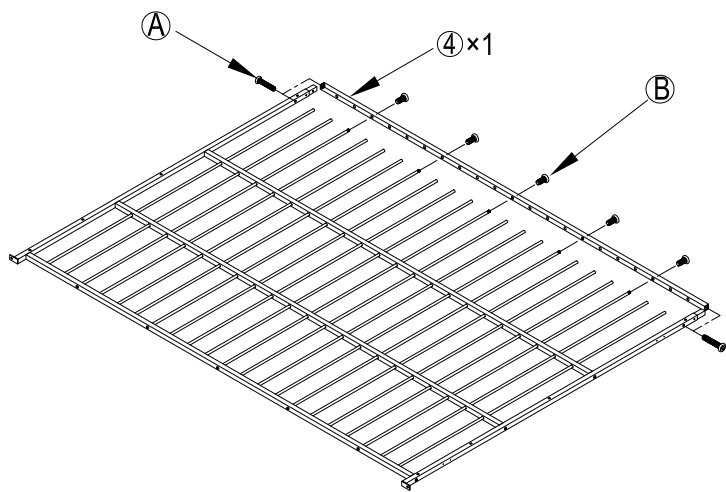
4





5

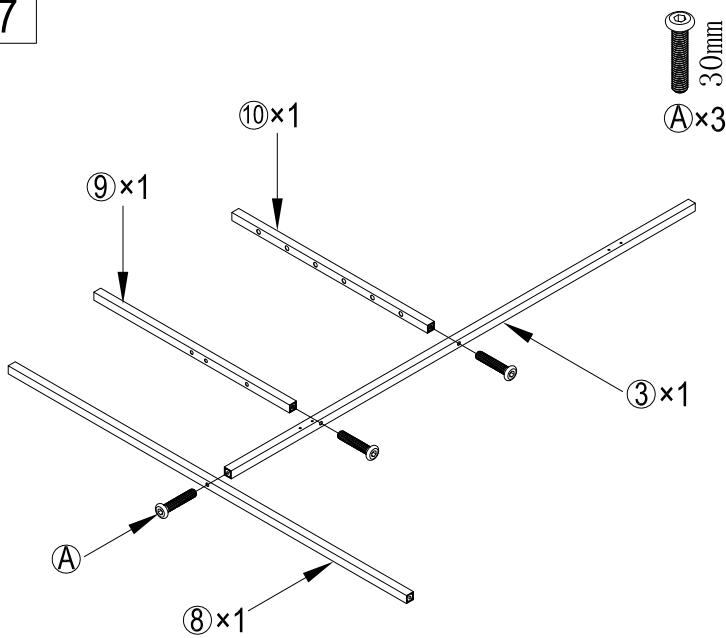


6



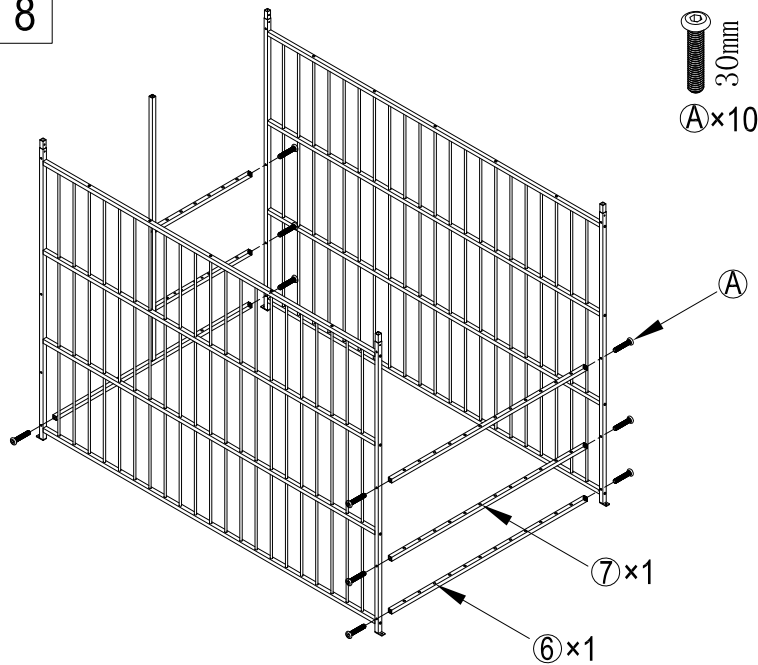
 30mm  
 10mm  
 A x 2    B x 5


7



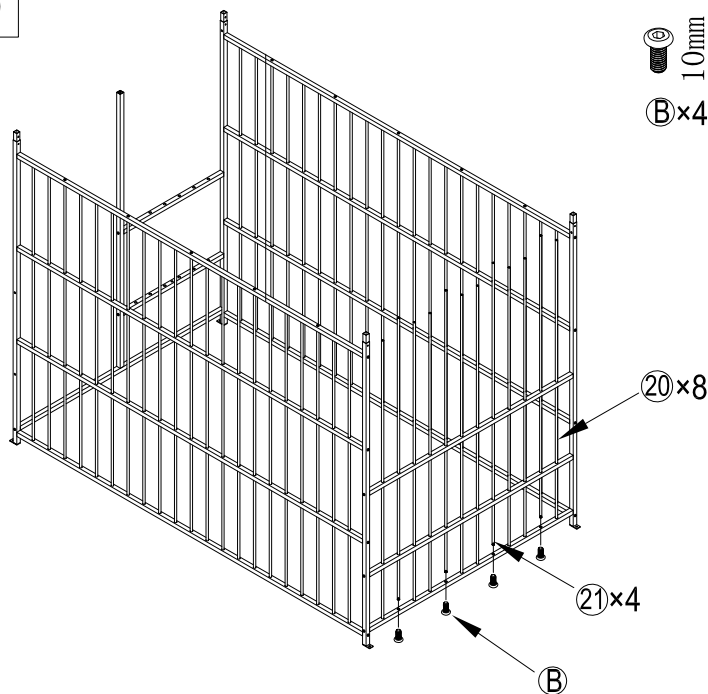
 30mm  
 A x 3


8



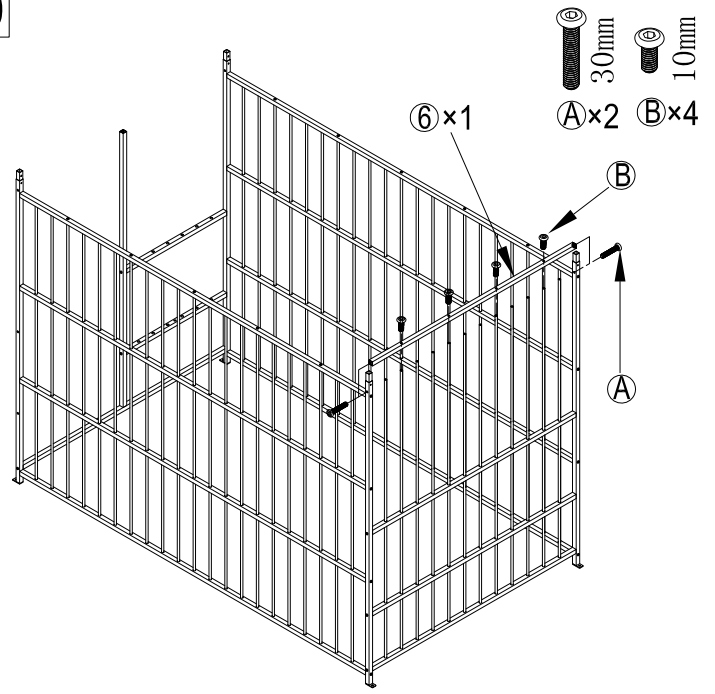
 30mm  
 A x 10

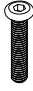

9



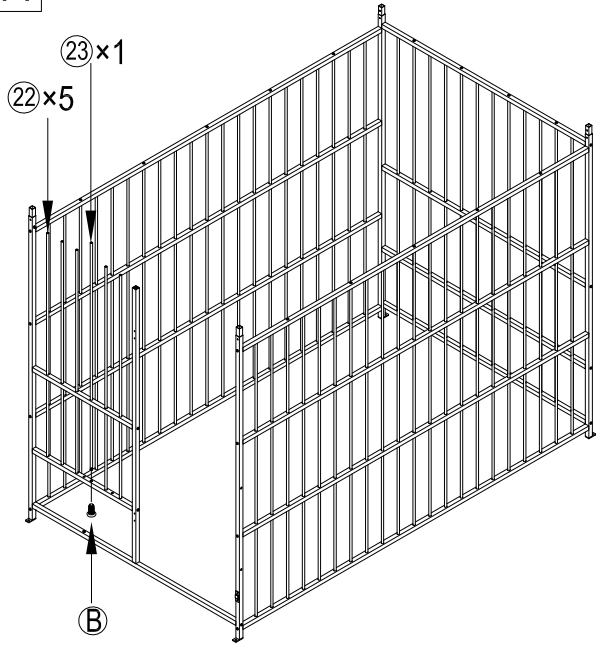
 10mm  
 B x 4

10



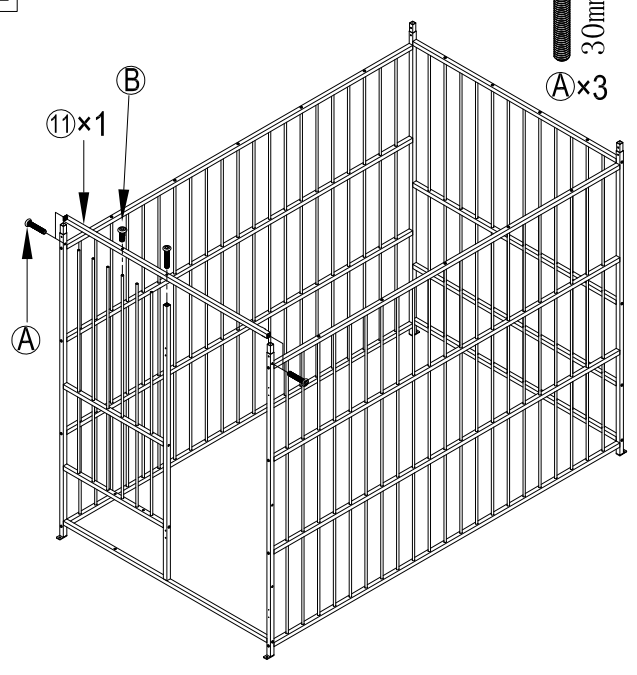
 30mm  
 10mm  
 A x 2    B x 4

11



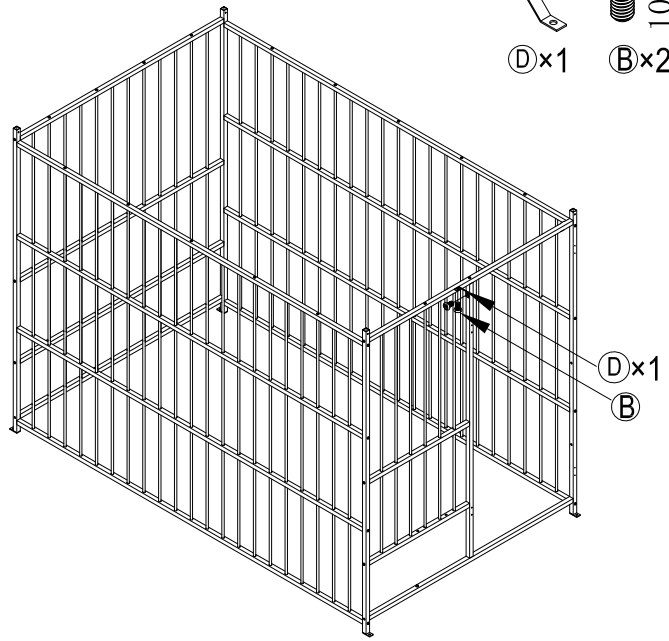
10mm  
Bx1

12



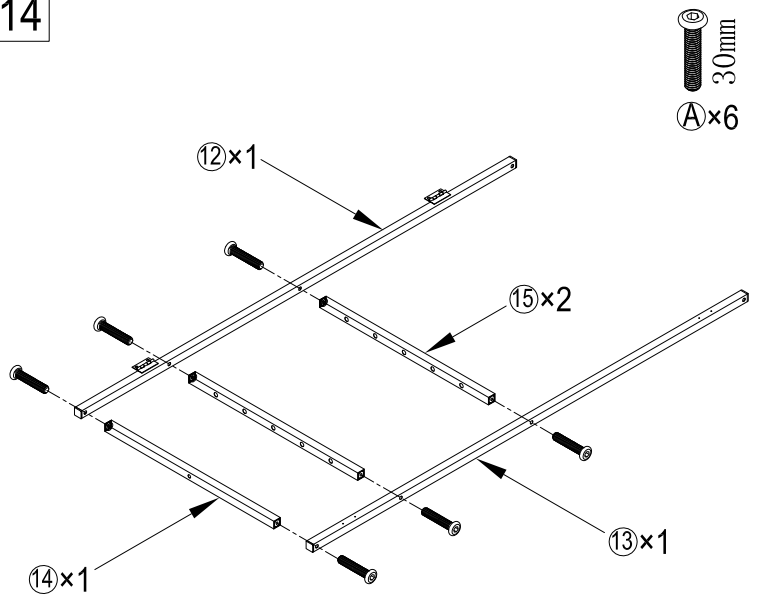
30mm 10mm  
Ax3 Bx1

13



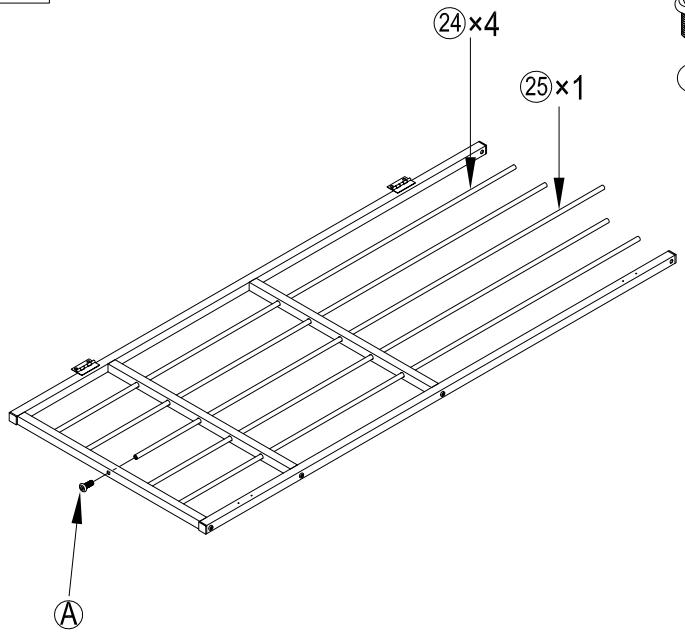
Dx1 Bx2

14



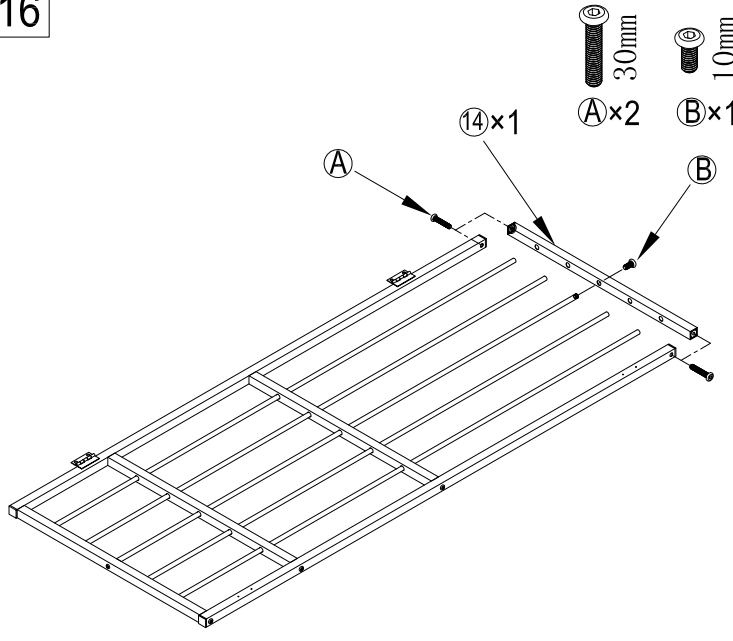
30mm  
Ax6

15



10mm  
Bx1

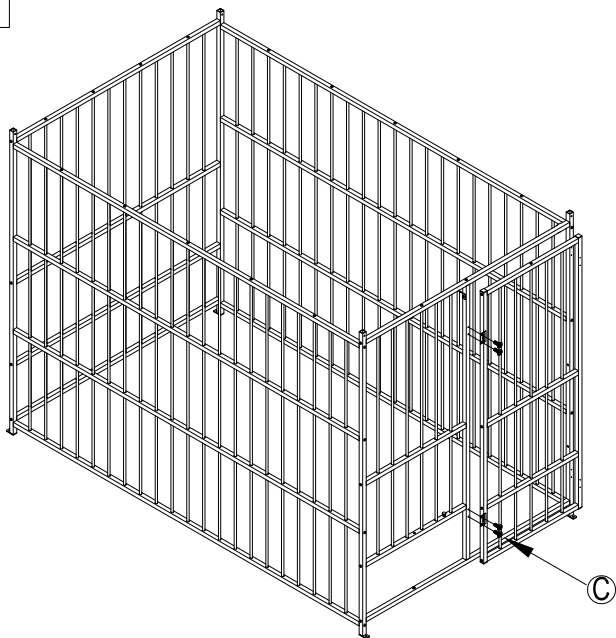
16



30mm 10mm  
Ax2 Bx1

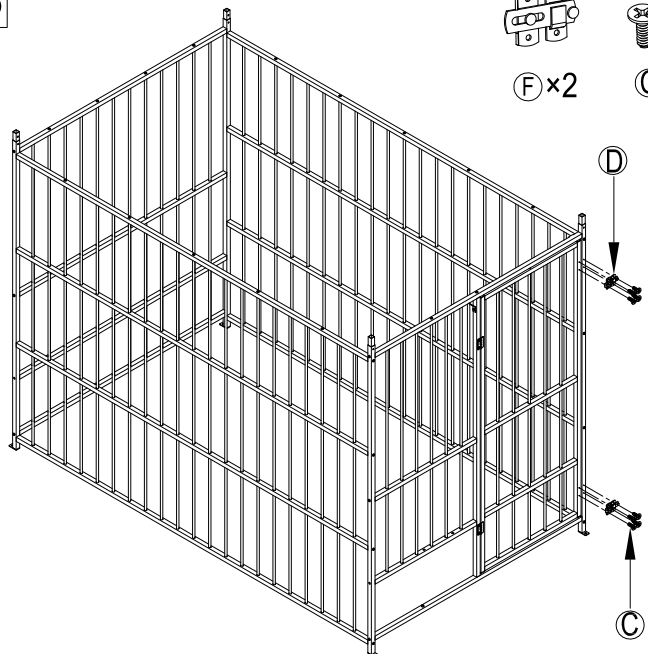


17



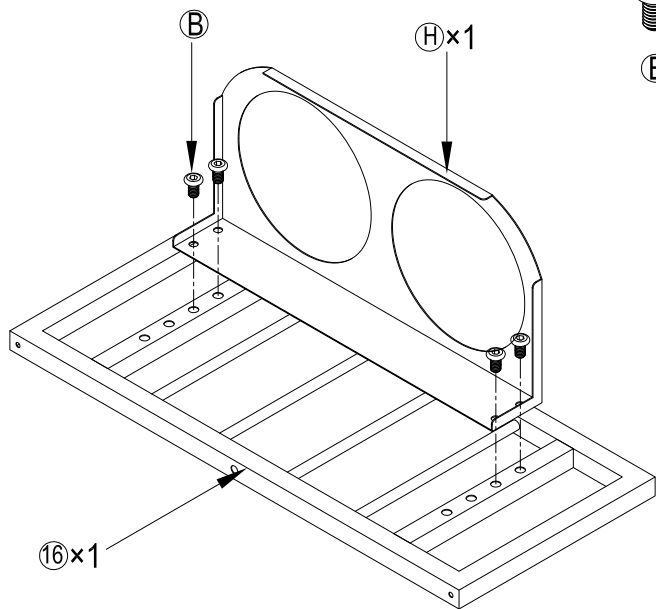
10mm  
C x 4

18



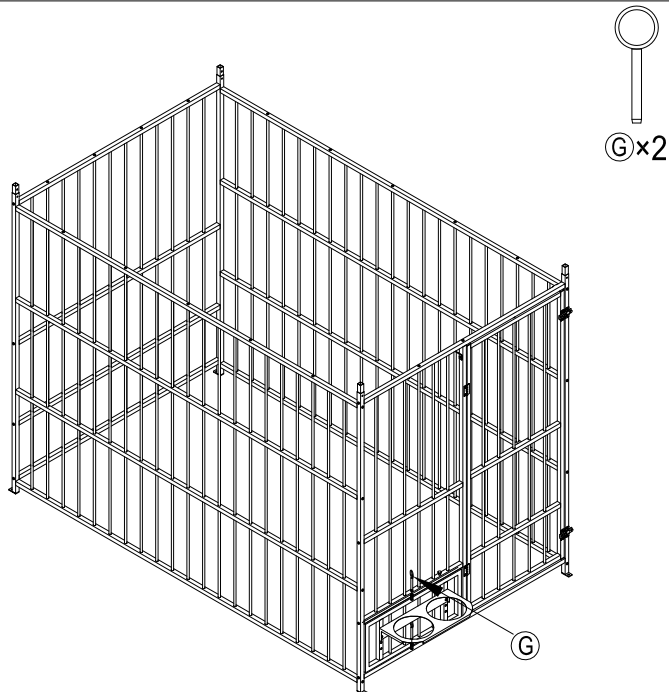
10mm  
F x 2  
C x 8

19



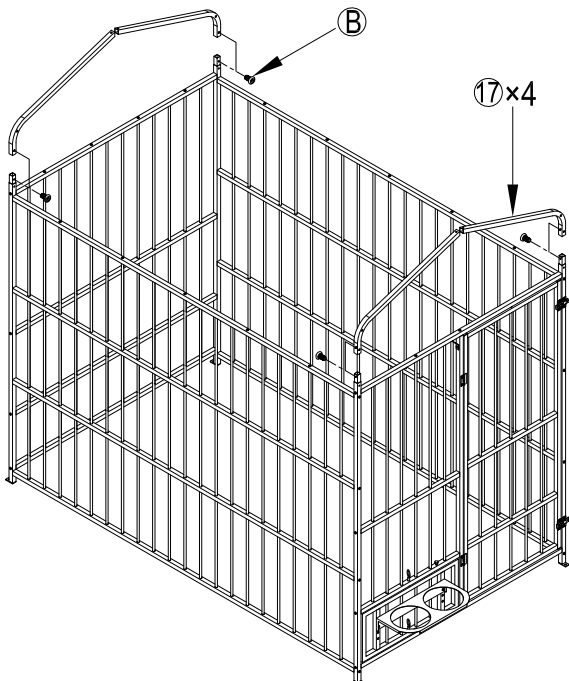
10mm  
B x 4

20



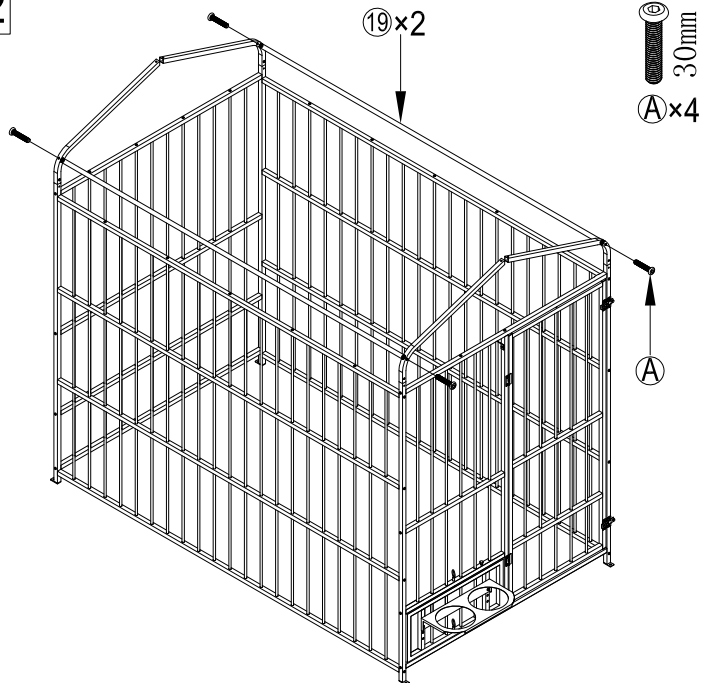
G x 2

21



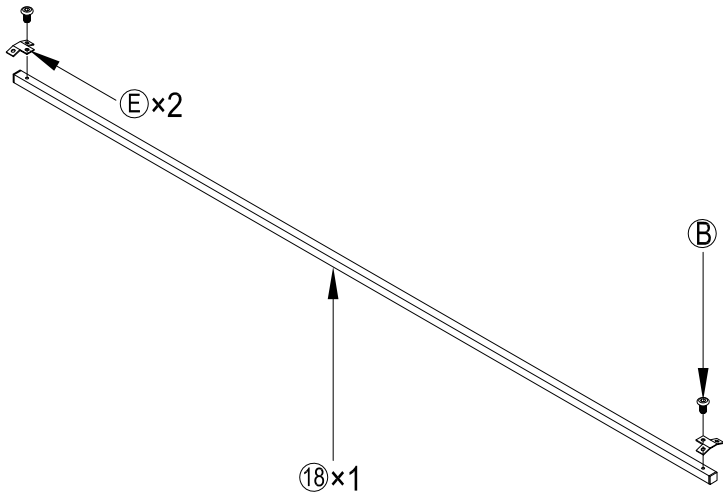
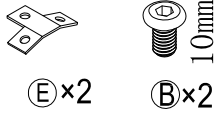
10mm  
B x 4

22

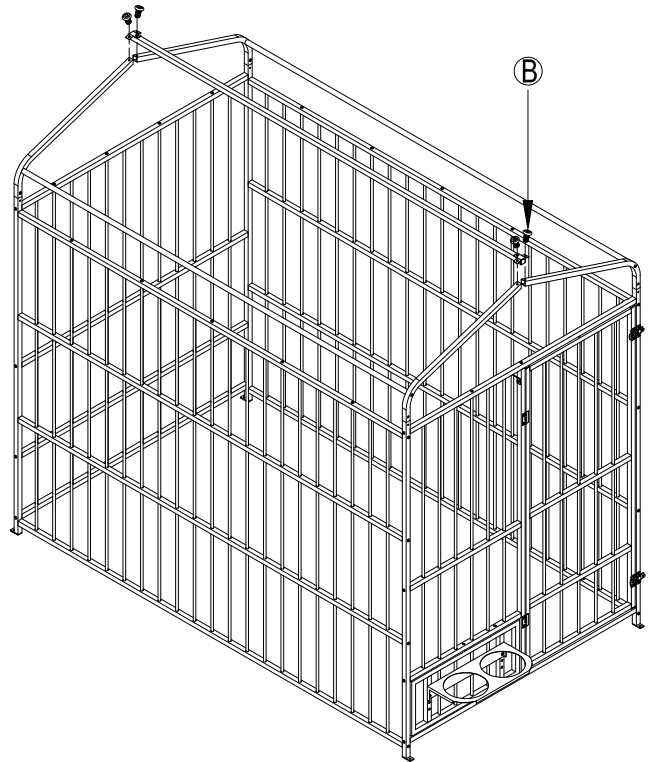


30mm  
A x 4

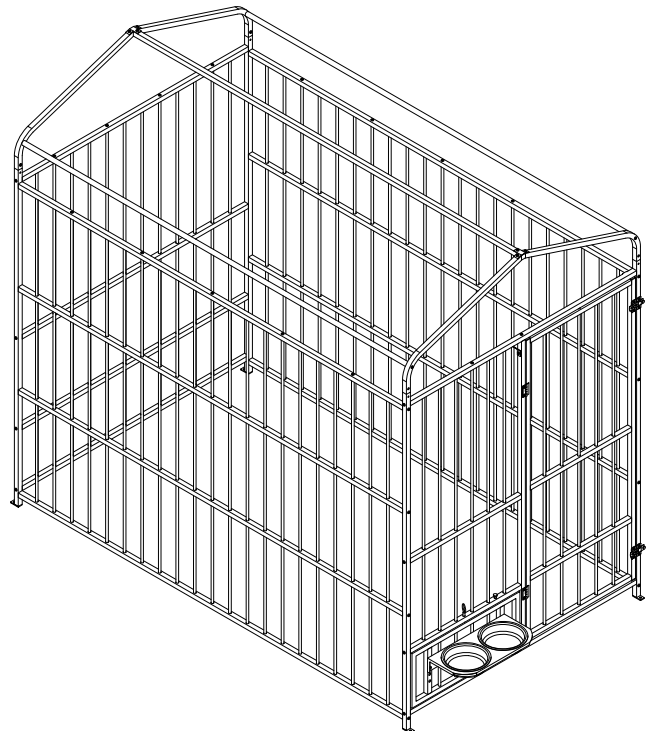
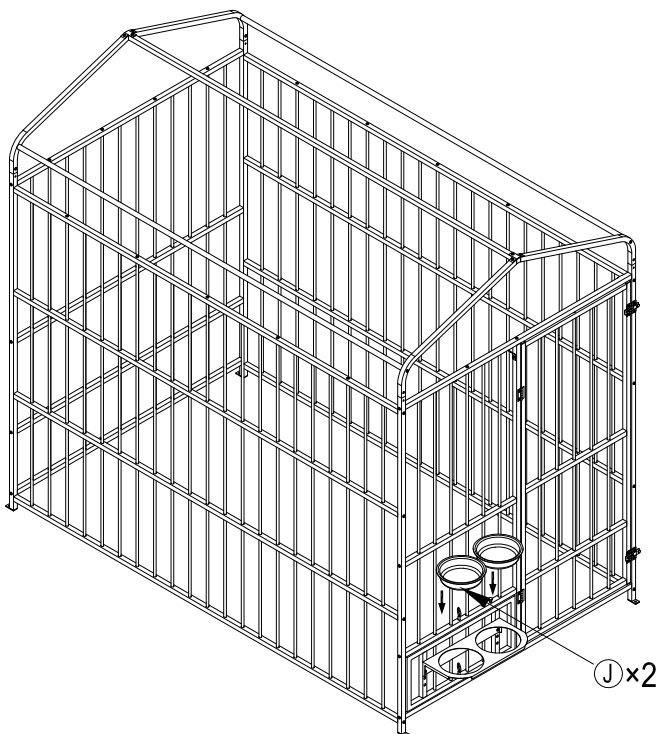
23

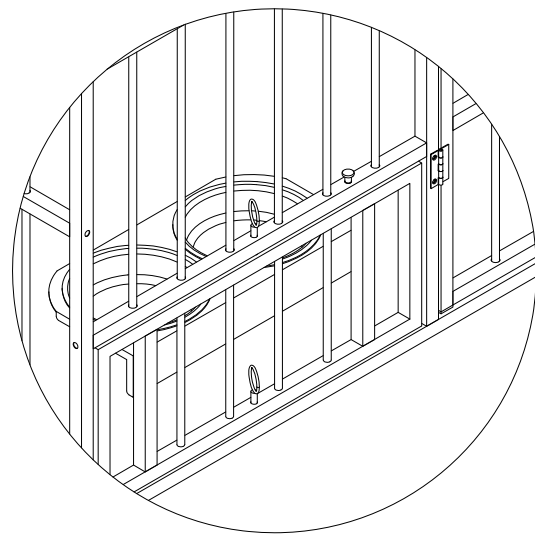
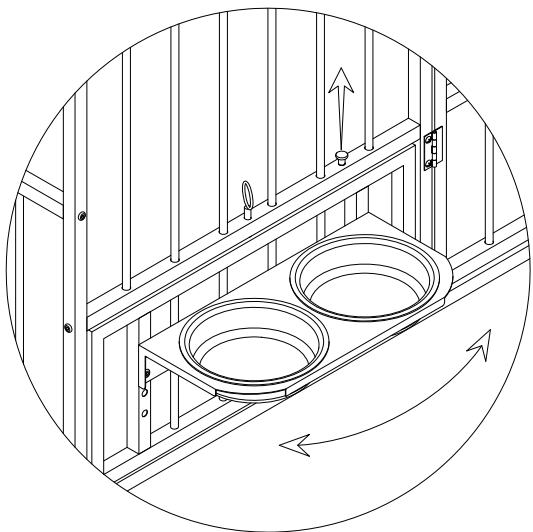
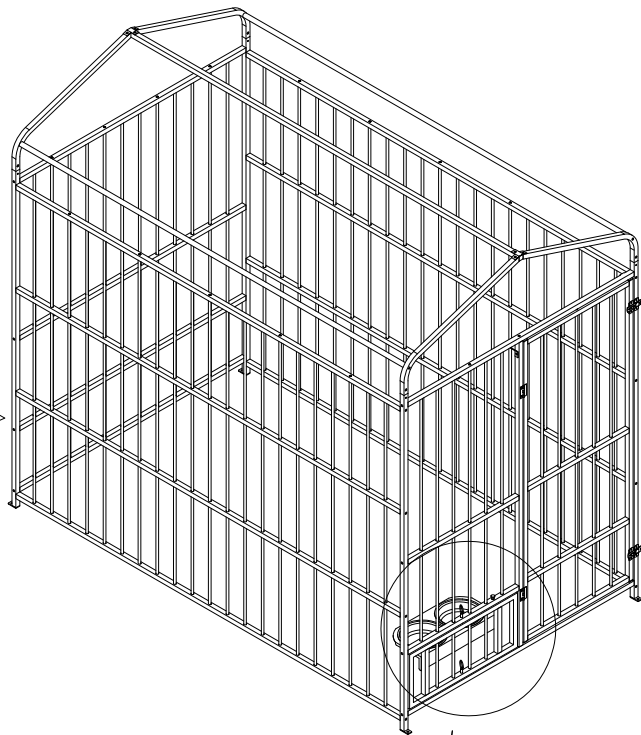
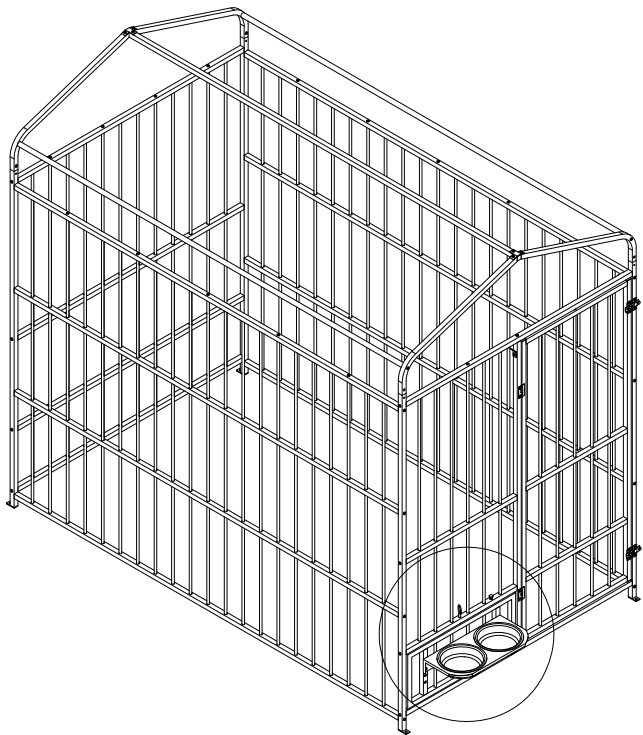


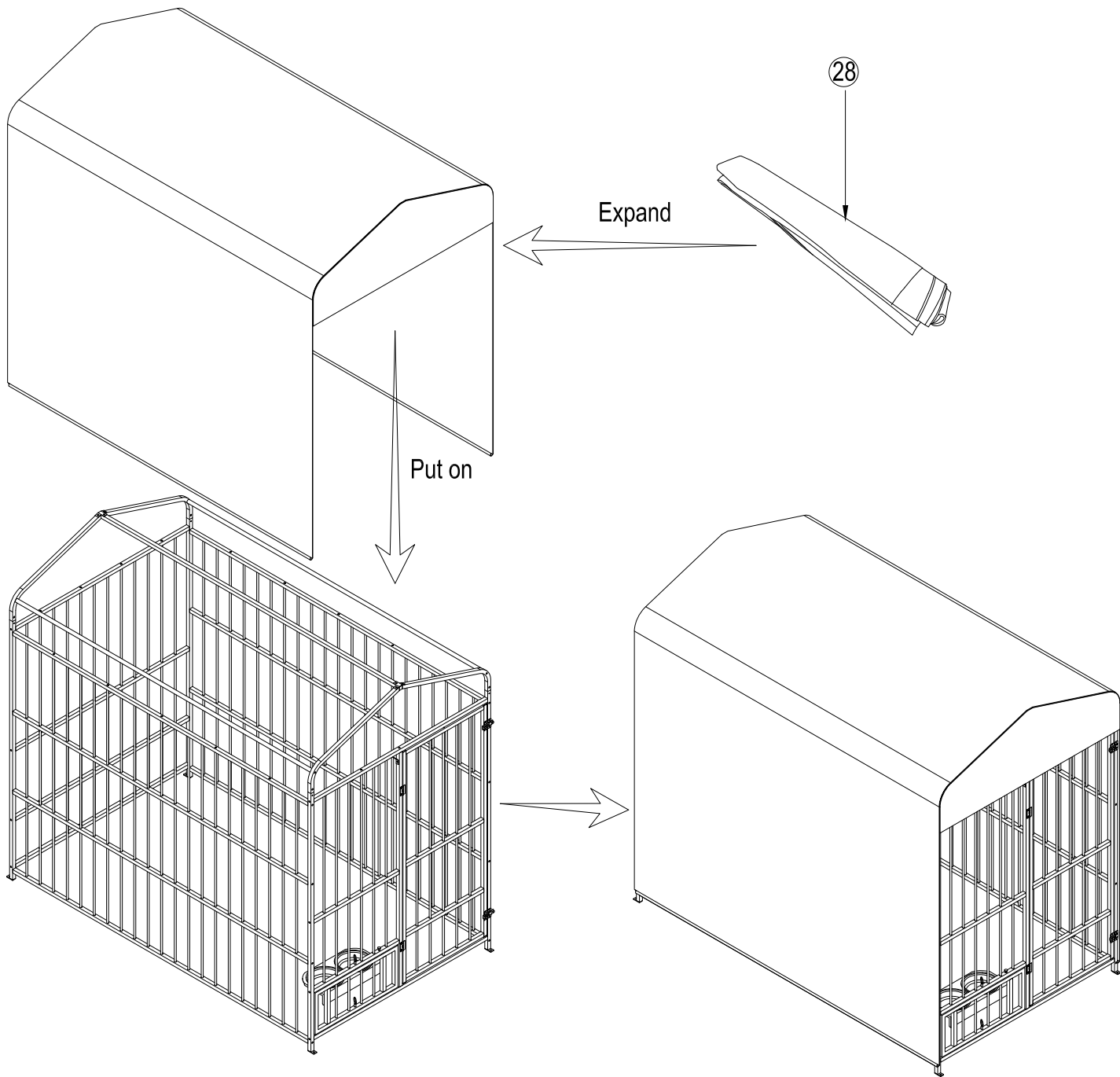
24

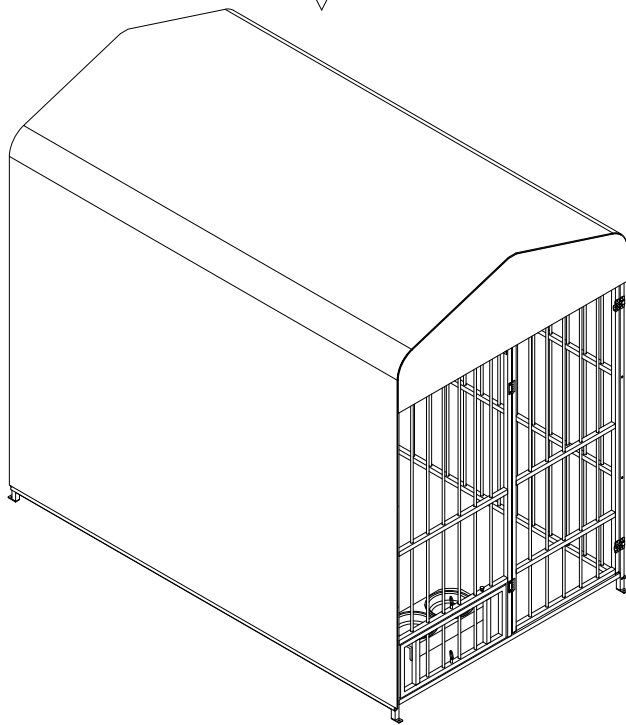
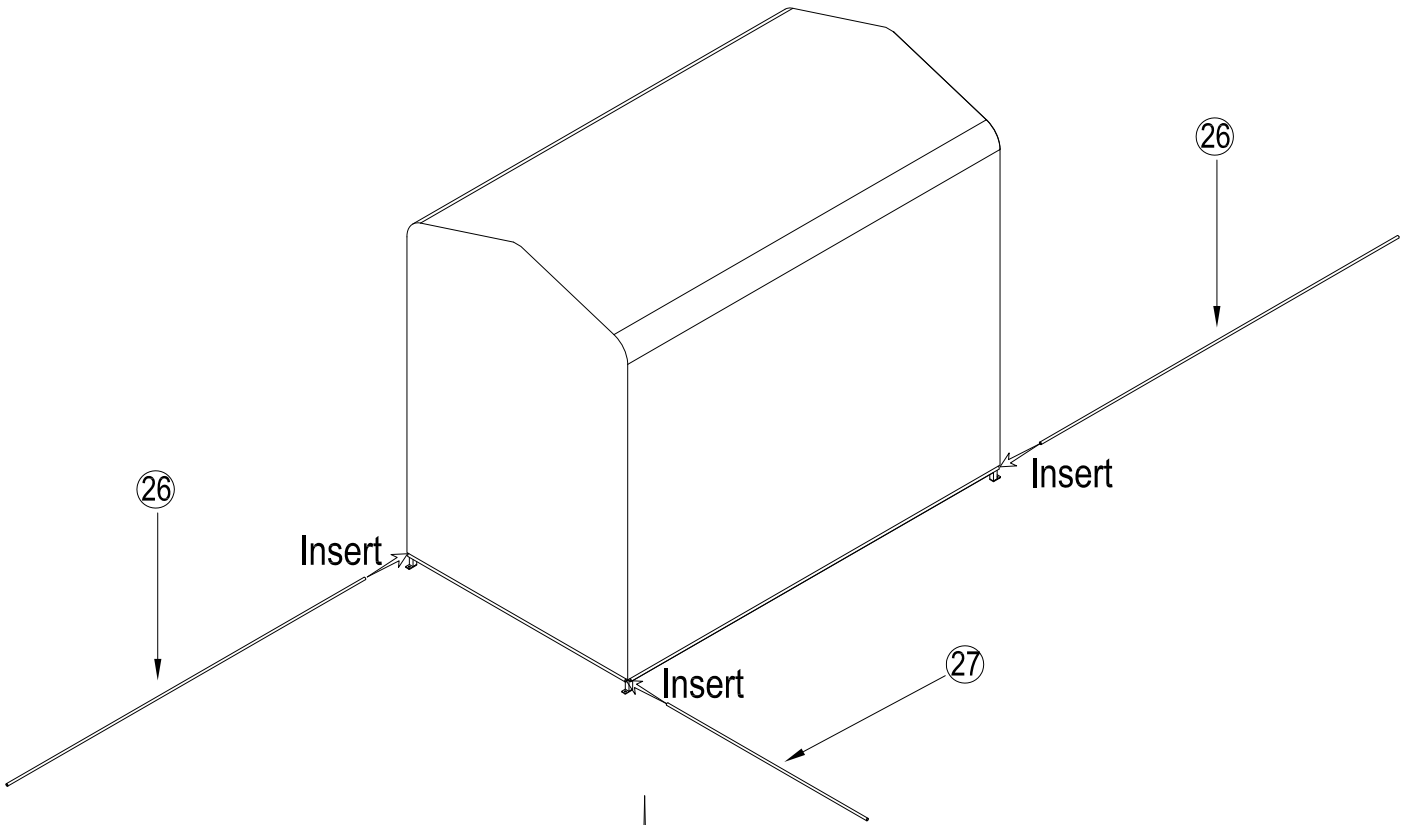


25











①x4

