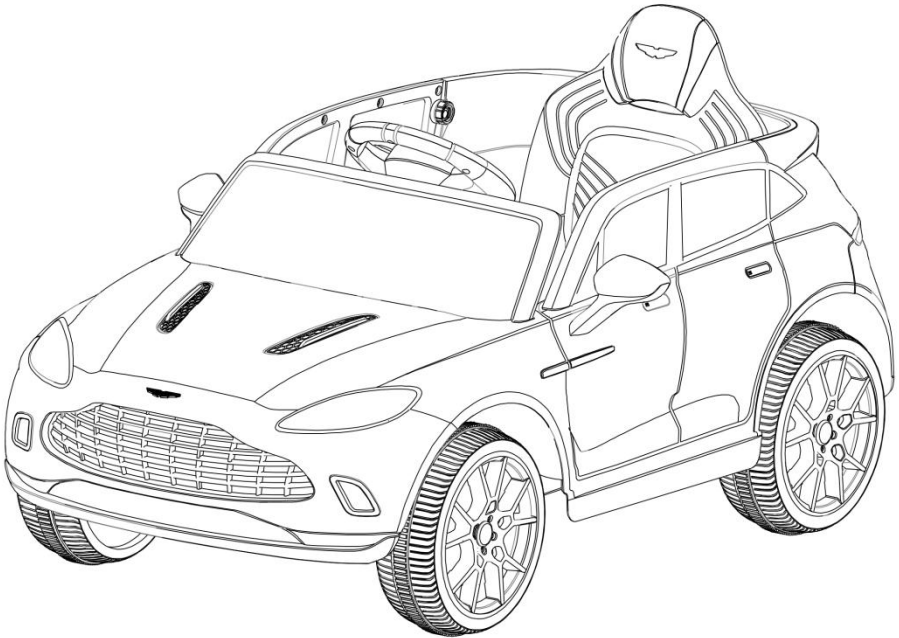


PLEASE READ THE INSTRUCTIONS



Styles and colors may vary

- ◎ Suitable age for 3-8 Years
- ◎ Maximum user weight: 30kg
- ◎ Adult assembly required

INSTRUCTION MANUAL



Charge for 4-6 hrs
before initial use.

After initial charge,
follow the normal
recommended
Charging time.



SAFETY

Please retain these instructions for future reference.

NOTE:For best performance,only use this vehicle on flat and hard surfaces.

AGE RANGE:3 to 8 years old

WEIGHT CAPACITY:30KG is the maximum weight for 1 rider(combined)

The following safety hazards may result in serious injury or death:

- This product contains small parts.Keep children away during assembly.Make sure to remove all packaging material and parts from underneath the vehicle body.
- Never open the battery.Batteries contain lead and lead compounds(acids).
- Limbs,hair,and clothing can get caught in moving parts.Always wear shoes,keep limbs away from moving parts,and do not wear loose clothing while operating this vchile.
- This vehicle does not have brakes or braking capability.Do not leave a child unattended during operation.DO not use this in a location that may require braking capability.as this could result in loss of control,which may cause serious injury or death.
- Use of this vehicle near streets,motor vehicles,steps,bodies of water,sloped surfaces,hills,wet areas,flammable vapors,in alleys,at night,or in the dark could result in an unexpected accident.
- Usu of this vehicle in unsafe conditions such as snow,rain,loose dirt,mud.sand,or gravel may result in an unexpected accident such as tipping over,and could damage the electrical system or battery.
- Do not operate this vehicle in an unsafe manner.Examples include but are not limited to:
 - pulling the vehicle with another vehicle or similar device
 - Pushing the user
 - Traveling at an unsafe speed

BATTERY WARNINGS

The following safety hazards may result in serious injury or death:

- Use of a battery or charger other than the supplied rechargeable battery and charger may cause a fire or explosion. Only use the supplied battery and charger.
- Use of the rechargeable battery and charger for any other product may result in overheating, fire, or explosion. Never use the supplied rechargeable battery and charger with another product.
- Explosive gases are created during charging. Charge the battery in a well-ventilated area. Do not charge the battery near heat or flammable materials.
- Contact between the positive and negative terminals may result in fire or explosion. Avoid direct contact between the terminals. Picking up the battery by the wires or charger can cause damage to the battery and may result in a fire. Always pick up the battery by its case or handles.
- Liquids on the battery may cause fire or electric shock. Always keep all liquids away from the battery and keep the battery dry. Contact or exposure to battery leakage (lead acid) may cause serious injury. If contact or exposure occurs immediately call your physician. If the chemical is on the skin or in the eyes, flush with cool water for 15 minutes. If the chemical was swallowed, immediately give the person water or milk. Do not give water or milk if the patient is vomiting or has a decreased level of alertness. Do not induce vomiting.
- Battery posts, terminals, and related accessories contain lead and lead compounds (acid)
- Tampering or modifying the electric circuit system may cause a shock, fire or explosion and permanently damage the system. Exposed wiring and circuitry in the charger may cause electric shock. Always keep the charger housing closed.

USER WARNINGS

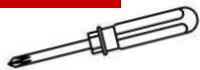
The following safety hazards may result in serious injury or death:

- Never leave a child unattended.
- Always sit in the seat when using this vehicle.
- Keep your hands, hair, and clothes away from moving part.
- Always wear shoes when operating this vehicle.
- Children under 3 years of age cannot use the vehicle.
- Only drive on level ground.
- Do not go near swimming pools or other bodies of water, drop-offs, or up and down steep inclines.
- Do not drive the vehicle into loose dirt, mud, sand, fine gravel, or on wet surfaces.
- Do not drive the vehicle on streets or near cars.

SPECIFICATIONS

| Item | Specification |
|------------|---|
| Batteries | 12V / 6V (Optional) |
| Motor | 12V / 6V (Optional) |
| Age | 3-8years |
| Max Weight | 30KG |
| Dimension | 106×62×51.5cm |
| Speed | 2.5~3km/hr (12V) (Four drive) |
| Speed | 1.4~2.5km/hr (12V) (Dual drive) |
| Speed | 0.8~2km/hr (6V) (Single drive) |
| Play Time | 1-2 hours / recharger time 8-12hours |
| Charger | Output DC 12V / Output DC 6V (Optional) |

TOOLS REQUIRED



SCREWDRIVER
(BRING YOUR OWN)



NEEDLE NOSE PLIERS
(NOT INCLUDED)



2 PERSON
ASSEMBLY



APPROXIMATELY
45 MIN.
ASSEMBLY

HARDWARE

1

M4*10mm
SCREW



18 PCS

2

φ 10 GASKETS



7 PCS

3

COTTER PIN

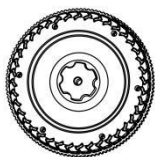


4 PCS

PARTS

A

CART WHEELS



4 PCS

B

WINDSHIELD



1 PCS

C

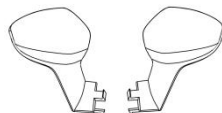
WHEEL COVER



4 PCS

D

MIRROR (L/R)



1 SET

E

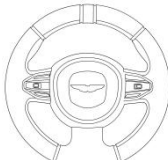
SEAT



1 SET

F

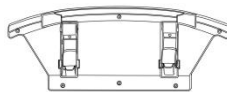
STEERING WHEEL



1 PCS

G

REAR SUPPORT
FRAME



1 PCS

H

REMOTE CONTROL



1 PCS

I

CHARGERS



1 PCS

J

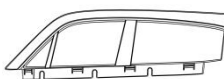
TAILSTOCK



1 PCS

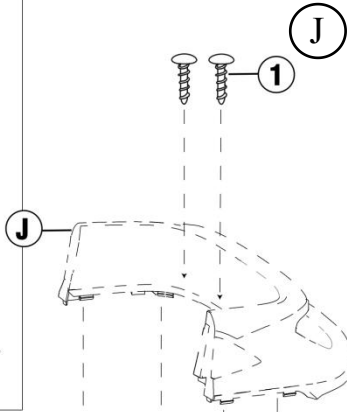
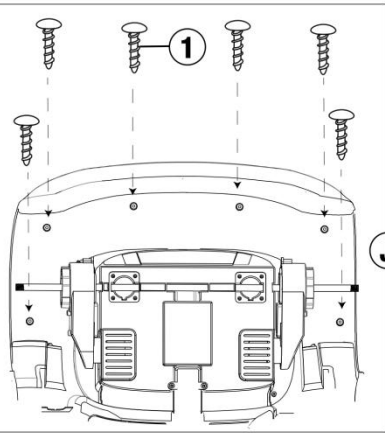
K

CAR WINDOW (L/R)



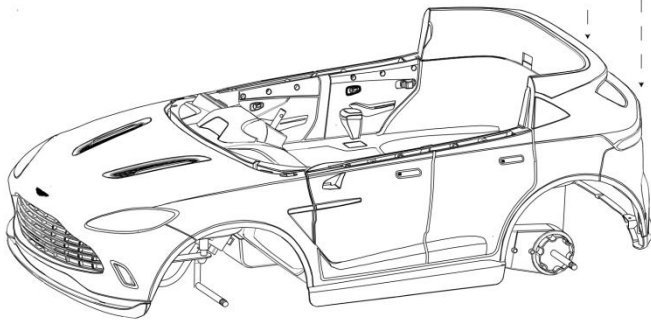
1 SET

PRODUCT ASSEMBLY (SINGLE DRIVE)



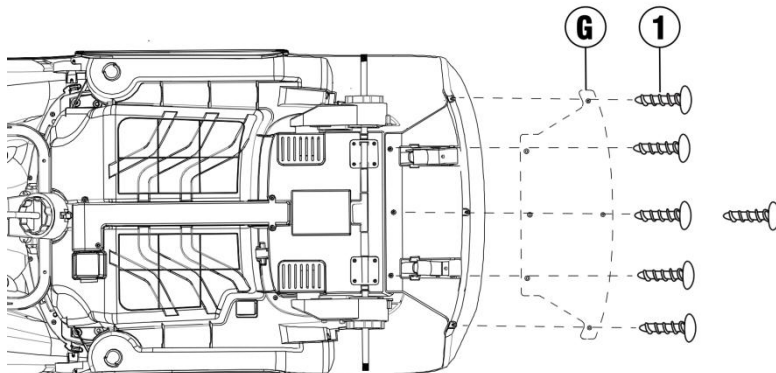
J Fix the Tailstock

- Stuck the tailstock into the vehicle slot.
- Turn the body over so that the underbody is facing up.
- Fix with M4*10mm screws as shown in the figure.



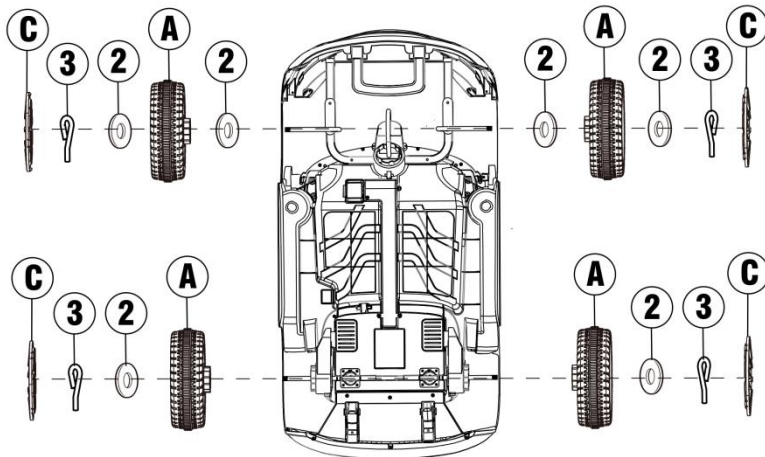
G Fix the Rear support frame.

- Stuck the rear support frame into the vehicle slot.
- Fix with M4*10mm screws as shown in the figure.

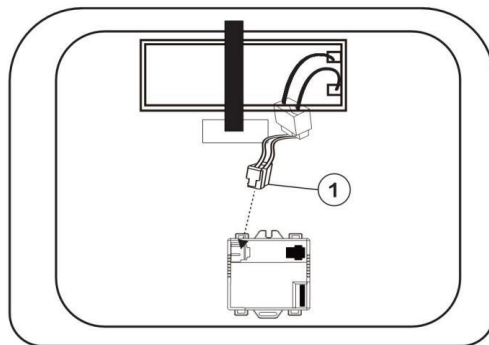


Dual drive configuration, different configurations, please ignore. (Due to different configurations, the number of gaskets is also different. Please install them according to the contents of the manual, and the rest are for standby.)

Put the gaskets, cart wheels, gaskets and cotter pin into the front axle in turn. Insert the cotter pin into the hole of iron piece and bend it to fix it and then attach the wheel cover to the wheel.



Place the cart wheels, gaskets, and cotter pin on the rear axle in turn. Insert the cotter pin into the hole of iron piece and bend it to fix it and then attach the wheel cover to the wheel.

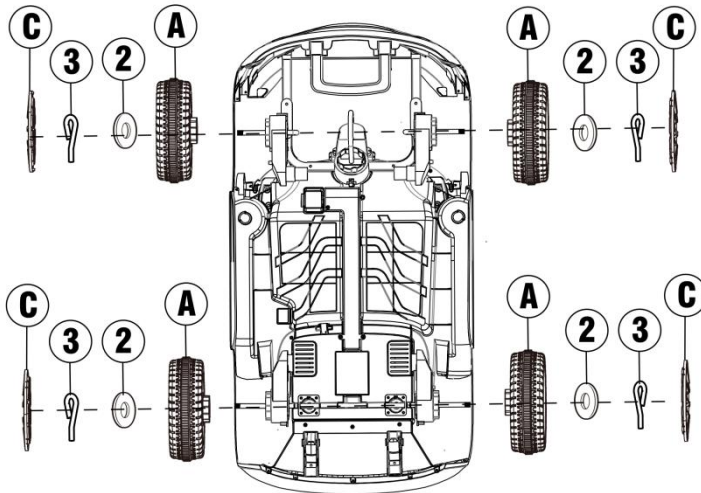


Put the vehicle upside down

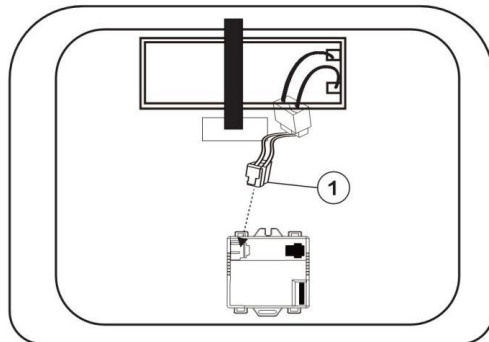
1. Find the main power cord under the seat and insert the plug of the power cord into the corresponding jack of the receiver (The picture may be different from the real object, and the real object shall prevail)

Four drive configuration, different configurations, please ignore. (Due to different configurations, the number of gaskets is also different. Please install them according to the contents of the manual, and the rest are for standby.)

Put the cart wheels, gaskets and cotter pin into the front axle in turn.
 Insert the cotter pin into the hole of iron piece and bend it to fix it and then attach the wheel cover to the wheel.



Place the cart wheels, gaskets, and cotter pin on the rear axle in turn.
 Insert the cotter pin into the hole of iron piece and bend it to fix it and then attach the wheel cover to the wheel.

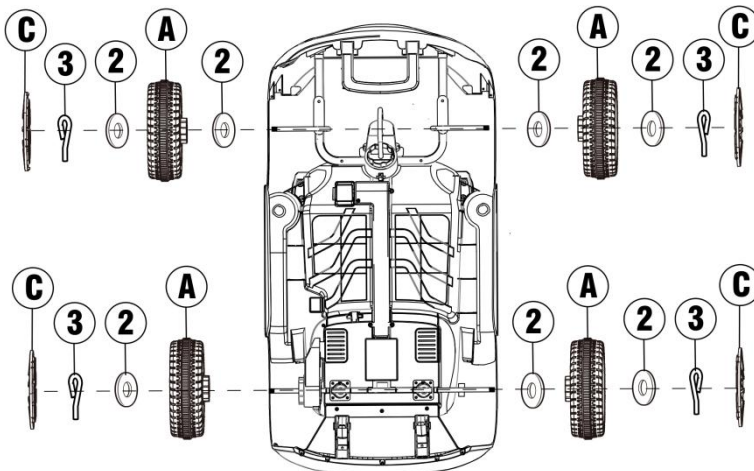


Put the vehicle upside down

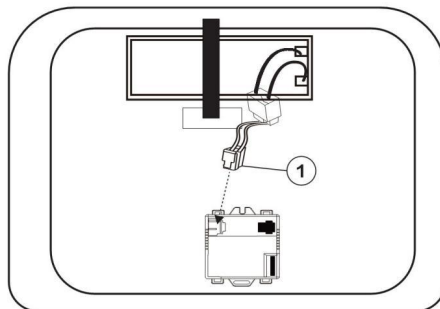
1. Find the main power cord under the seat and insert the plug of the power cord into the corresponding jack of the receiver (The picture may be different from the real object, and the real object shall prevail)

Single drive configuration, different configurations, please ignore. (Due to different configurations, the number of gaskets is also different. Please install them according to the contents of the manual, and the rest are for standby.)

Put the gasket, Cart wheels, gasket and cotter pin into the front axle in turn. Insert the cotter pin into the hole of iron piece and bend it to fix it and then attach the wheel cover to the wheel.



Place the Cart wheels, Washer, and cotter pin on the rear axle in turn. Insert the cotter pin into the hole of iron piece and bend it to fix it and then attach the wheel cover to the wheel. (The installation of the non drive side is consistent with that of the front wheel)



Put the vehicle upside down

1. Find the main power cord under the seat and insert the plug of the power cord into the corresponding jack of the receiver (The picture may be different from the real object, and the real object shall prevail)

PRODUCT ASSEMBLY

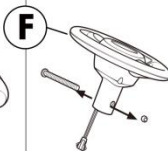
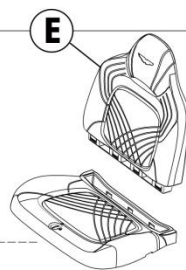
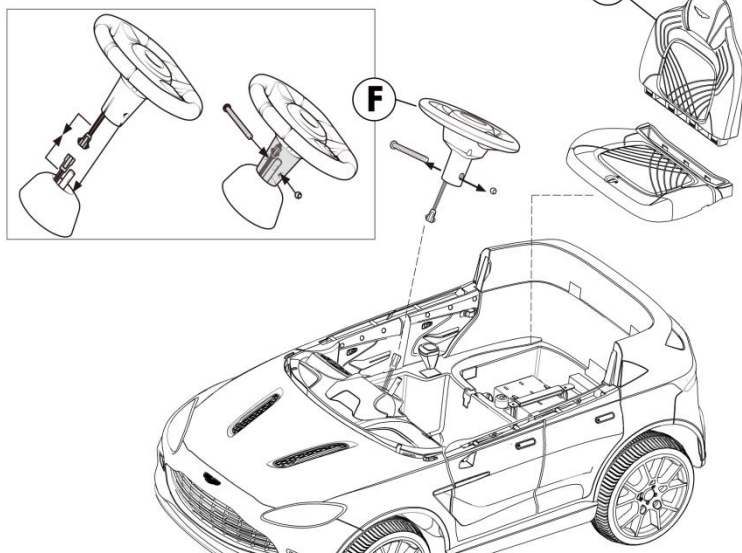
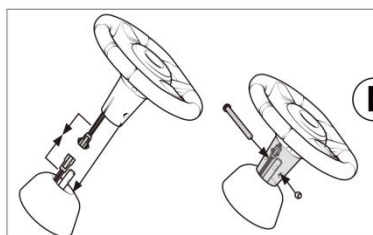
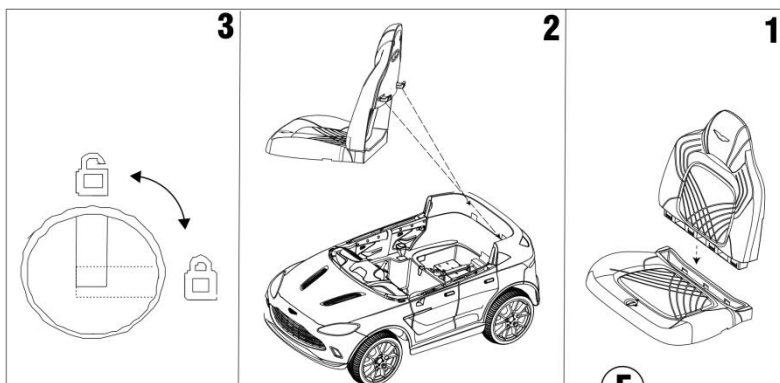
Follow the assembly steps in the order listed below.

F Fix the steering wheel.

- Remove the nut and bolt from the steering wheel.
- Connect the wires coming from the steering column to the wires on the steering wheel.
- Insert the steering wheel over the steering and secure with nut and bolt.

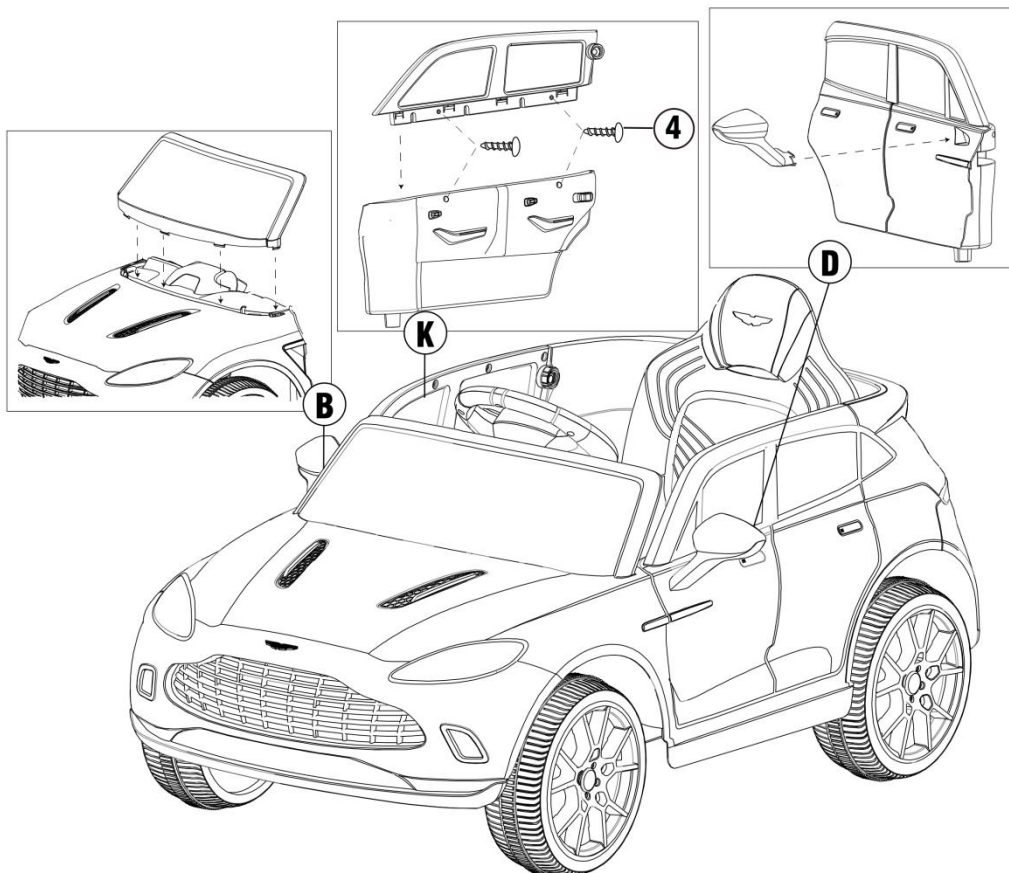
E Fix the seat.

- Merge seat.
- Clip the seat into the body.
- Rotate the latch on the seat to secure the seat.

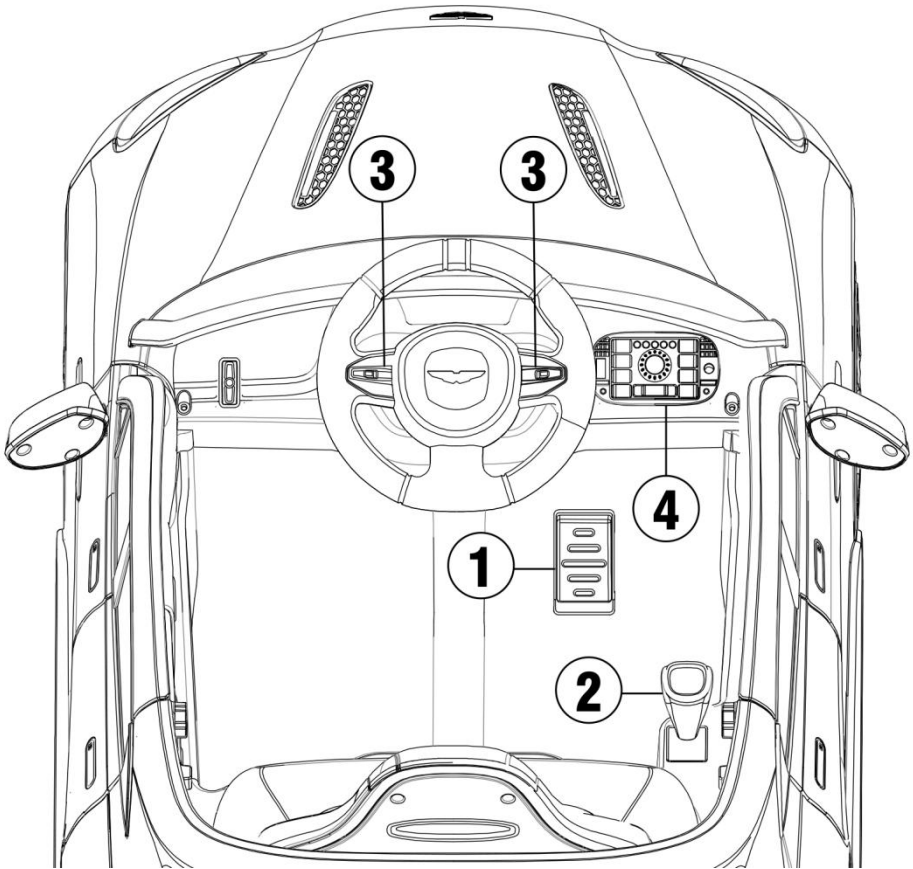


PRODUCT ASSEMBLY

- B** Fix the windshield.
- Stuck the windshield into the corresponding slot on the body.
- K** Fix the car window(L/R)
- Insert the car window(Tips:Left right distinction) into the car door.
 - Fix with M4*10mm screws.
- (Install the other side in the same way)
- D** Fix the mirror (L/R)
- Insert the mirror(Tips:Left right distinction) into the car door.
- (Install the other side in the same way)

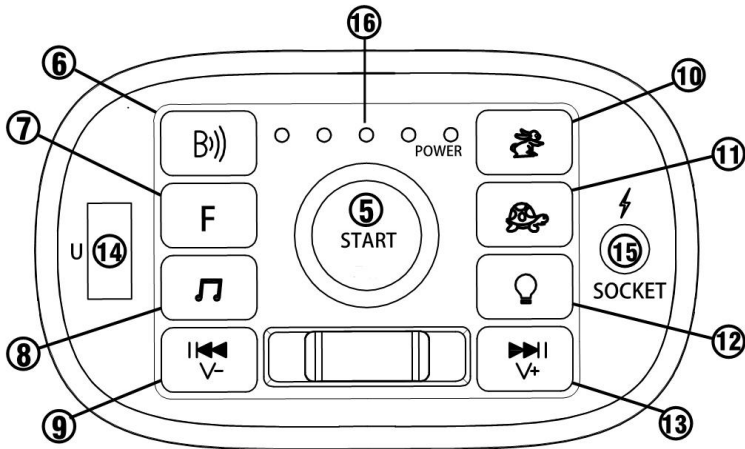


DASHBOARD DIAGRAM



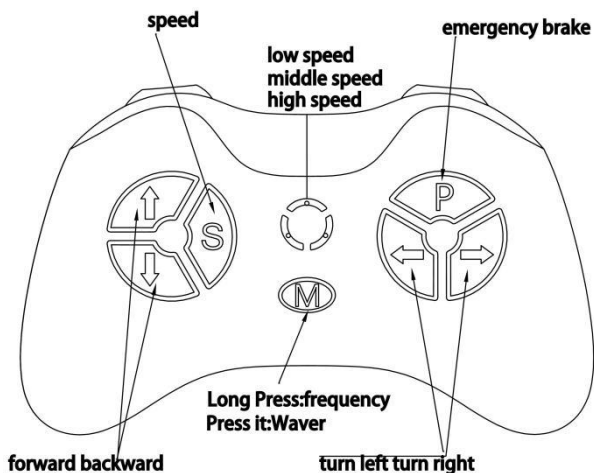
1. Pedal button: Step on the button , the car will move, when release the car slowly stop
2. Shift Switch: Change the direction of the car , Forward-Backward
3. Horn button: press to play the horn
4. Control board:

DASHBOARD DIAGRAM



5. Power button: Turn the vehicle on and off
6. Wireless Technology : After connected your mobile phone and the wireless device ,the car can play music from your mobile phone
7. FM: Radio, long press it 2-3 seconds, Automatic search
8. Music Button: play music, Long press for 3 seconds to pause music
9. Last song: Switch songs/and long press will decrease volume
10. High speed button: change the speed of the car more quickly
11. Slow speed button: change the speed of the car more slowly
12. Light button : Turn on or off the light
13. Next song: Switch songs/and long press will increase volume
14. U
15. Socket: charge
16. Power display: Clearly see the battery power, in order to charge in time

REMOTE CONTROL DIAGRAM



Warning

Only used by adults

Remote control first. When the remote control is on, foot pedal is not workable

Operation Manual:

Take out the remote control, Open the battery compartment on the back of the remote control and add two AAA LRO3 alkaline batteries. Pay attention to the polarity of the batteries. When the alignment light and speed indicator light up, it indicates that the battery installed is correct. This product does not provide dry batteries.

<Button Description >

(1) Long press on the frequency key(M) 2-4 seconds, Low speed LED light flashing. Turn on the power of the car, Low speed LED light keep flashing to long lighting, then frequency bind succeed. If the frequency bind failed (Low speed LED light flashing) , remove the battery and repeat steps

P: Press to brake。

S: Speed: press to change speed(low,middle and high speed).

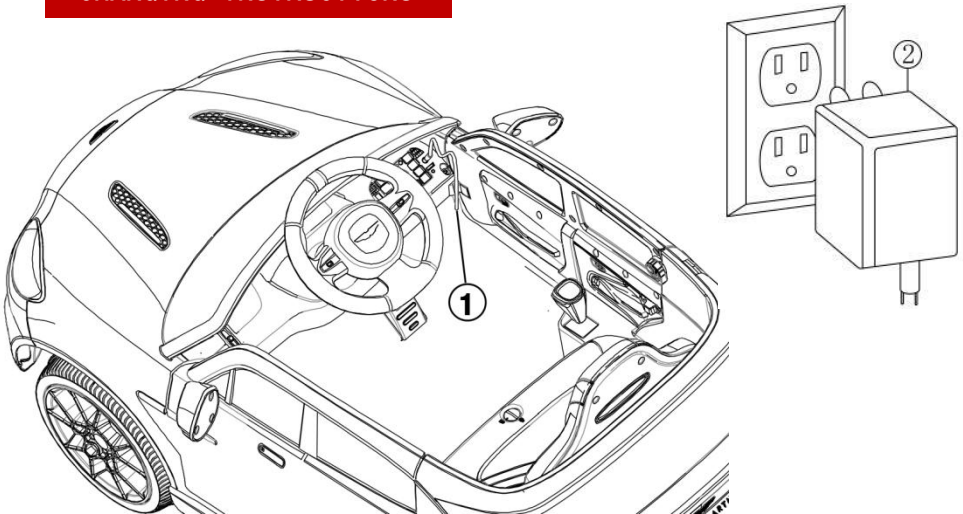
△Forward ▽backward。

◁ Turn left ▷ turn right

- 2) Brake button: Press it to stop moving; press it again to move.
- 3) Speed selection key and speed indication: used to select speed of the car. Press the key once to switch the speed once. 3 speeds are cyclically switched, and the switching sequence is: low-medium-high. The speed indicator is arranged from top to bottom on the remote control: high-speed lamp, medium-speed lamp, low-speed lamp; when switching to one speed, the corresponding indicator lamp will light up. Note: The speed grade changes only when moving forward
- 4) Forward/backward keys: used for forward and backward movement control. When one of the keys is pressed, the moving speed will slowly increase to reach the set speed level. Therefore, children will not have a sudden impact.
- 5) Left turn/right turn key: used for left and right direction control.

Note: without operation after 10 seconds, indication light will off into power saving mode

CHARGING INSTRUCTIONS



1. Insert the charger jack into the charging hole of the car.
2. Plug the charger plug into the stable matching AC power supply as shown in the picture.

- Charge the battery 15 to 18 hours before initial use.
- On average, you will need to charge the battery between 8 and 12 hours. Do not charge the battery for more than 20 hours. Failure to charge the battery as directed could cause permanent damage to the battery and void the warranty.
- Damage to the battery may occur if it is allowed to drain completely. Do not allow the battery to drain completely.
- Check the battery and charger (supply cord, connector) for wear and damage before charging. DO not charge the battery if damage has occurred.
- Only an adult who has read and understood the safety warnings should handle, charge and recharge the battery.

CARING FOR YOUR RIDE-ON

- Park the vehicle indoors or cover it with a tarp to protect it from wet weather.
- Do not leave the vehicle in the sun for long periods of time or fading may occur.
Store in shade or cover with tarp.
- Do not wash the vehicle with a hose.
- Do not wash the vehicle with soap.
- Charge battery at least once a month to prolong the life of the battery.

TROUBLESHOOTING

| PROBLEM | REASON | SOLUTION |
|---|---|--|
| Vehicle does not move | Low battery | Fully charge the battery |
| | Electrical protection | Stop use for several minutes and restart |
| | Switch not in the correct position | Completely press in switches |
| | Battery connectors disconnected | Plug in battery connectors |
| Battery does not recharge | Battery connectors disconnected | Plug in battery connectors |
| | Charge not connected to socket or outlet | Completely plug in the charger |
| Battery does not last | Battery does not have a full charge | Fully charge the battery |
| Battery is warm and makes a slight noise while charging | Normal | Normal |
| Slow speed | Low battery | Fully charge the battery |
| | Overloaded vehicle | Reduce the weight on the vehicle |
| | Uneven or sloped road | Drive on flat pavement |
| Vehicles shakes while driving | Loose connection to motor | Ensure the motor is properly connected to the battery |
| Difficulty shifting between forward/reverse | Attempting to shift while vehicle in motion | Only shift when the vehicle is at a stop |
| Forward and reverse switch is flipped | Gear boxes are installed incorrectly | Make sure the L gear box is on the left and R gear box is on the right |

WARNINGS REGARDING BATTERIES

The battery on the vehicle is not replaceable.

- DO not mix old and new batteries.
DO not mix alkaline,standard(carbon-zinc),or rechargeable batteries.
- Non-rechargeable batteries should not be charged.
- Rechargeable batteries should be charged under adult supervision only.
- Exhausted batteries should be removed.
- The supply terminals should not be short-circuited.
- Do not put batteries next to or in a heat source(fire,electronic heating device,etc.)
- Do not hit batteries against hard objects.
- Do not submerge batteries in water.
- Batteries should be inserted with the correct polarity.
- Only use the battery specified by the manufacturer.
- Only use the charger specified by the manufacturer.




WARNING:


- Protective equipment should be worn.Not to be used in traffic.
- The toy should be used with caution since skill is required to avoid falls or collisions causing injury to the user or third parties.
- To reduce the risk of injury,adult supervision is required.Never use in roadways.near motor vehicles,on or near steep inclines or steps,swimming pools or other bodies of water;always wear shoes,and never allow more than 1 rider.

IMPORTANT

- Always charge battery for a FULL 18hrs the first time you use it.
- Always charge battery for a FULL 10hrs after each use.
- Charge the battery once a month. even if you are not using your vehicle.

 **WARNING:** ADULT ASSEMBLY REQUIRED

 **WARNING:** Not to be used in traffic

 **WARNING:** CHOLING HAZARD-Small parts.
Not for children under 3yrs.

FCC Statement

Caution:

This device complies with Part 15 of the FCC Rules. Operation is subject to the following two conditions: (1) this device may not cause harmful interference. (2) this device must accept any interference received, including interference that may cause undesired operation.

Changes or modifications not expressly approved by the party responsible for compliance could void the user's authority to operate the equipment.

This equipment has been tested and found to comply with the limits for a Class B digital device, pursuant to part 15 of the FCC Rules. These limits are designed to provide reasonable protection against harmful interference in a residential installation. This equipment generates uses and can radiate radio frequency energy and, if not installed and used in accordance with the instructions, may cause harmful interference to radio communications. However, there is no guarantee that interference will not occur in a particular installation. If this equipment does cause harmful interference to radio or television reception, which can be determined by turning the equipment off and on, the user is encouraged to try to correct the interference by one or more of the following measures:

- Reorient or relocate the receiving antenna.
- Increase the separation between the equipment and receiver.
- Connect the equipment into an outlet on a circuit different from that to which the receiver is connected.
- Consult the dealer or an experienced radio/TV technician for help.