

**INSTRUCTION MANUAL**  
MODEL: 1218GSM

# ASSEMBLY GUIDE

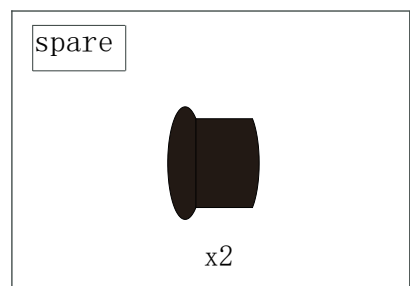
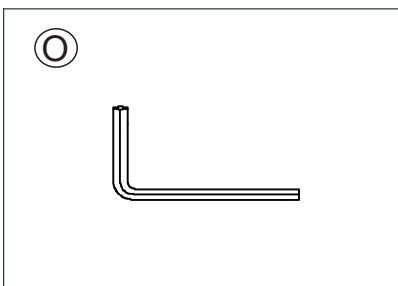
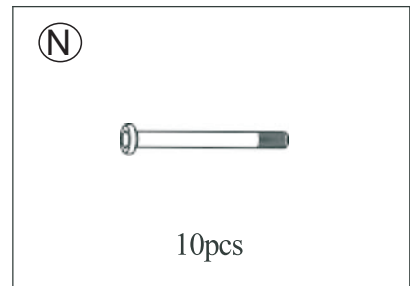
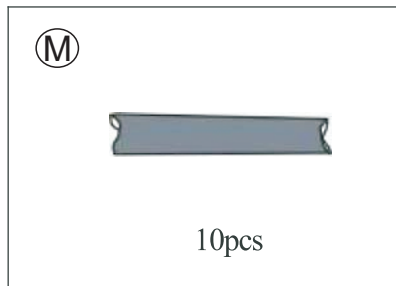
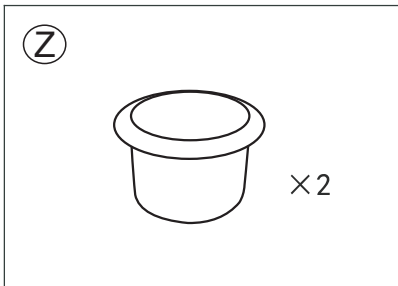
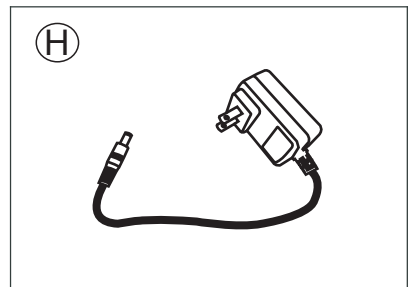
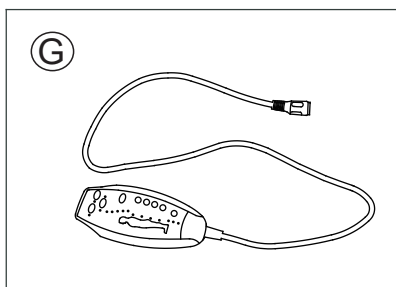
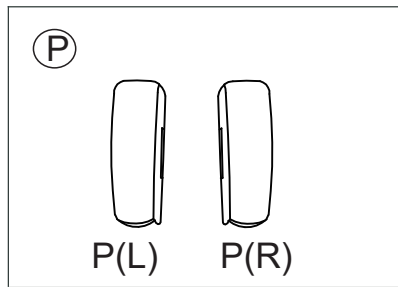
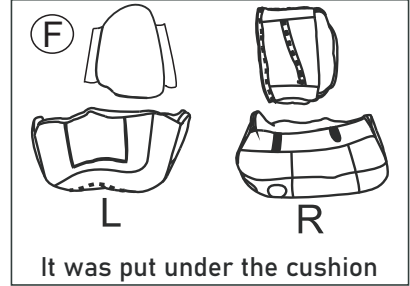
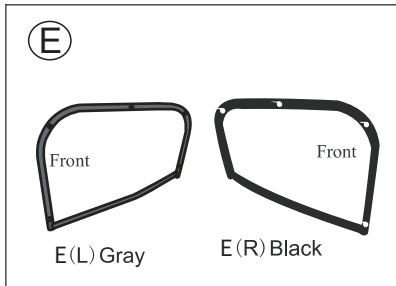
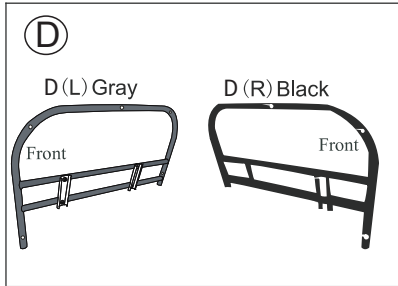
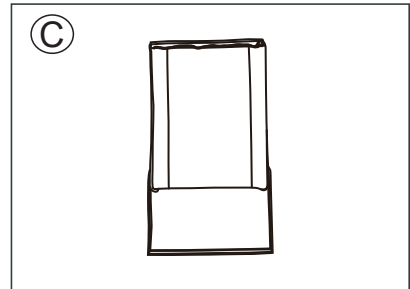
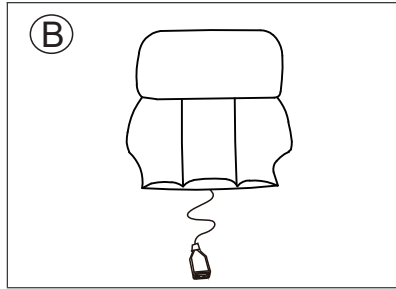
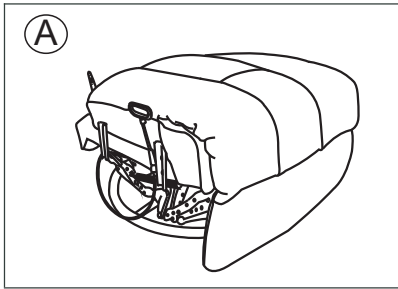
Congratulations, you now have a new function sofa with massage.

Before enjoy the comfort chair, you have to put it together. This Assembly Guide will take you through the basic assembly process. To make sure your assembly goes smoothly, please follow the assembly instructions, **and especially the important safety information.**

Also, while it is possible to assemble the chair on your own, **having a second person to help you makes it even easier.**

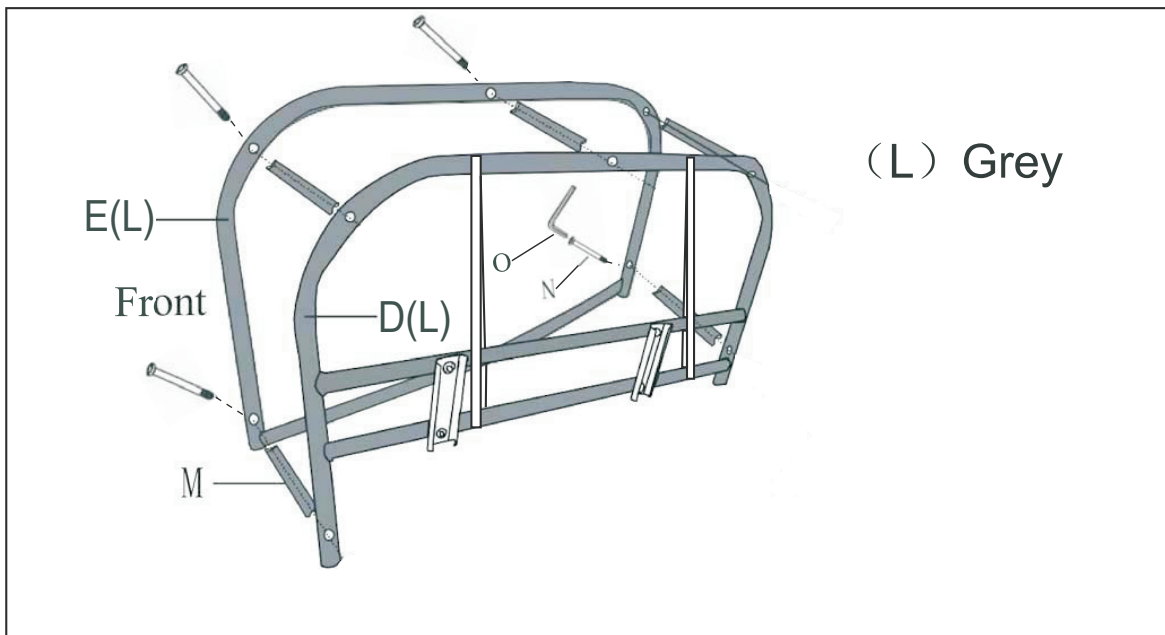
Before you begin, please check if there are any missing parts from the package. Should there be any issues, please don't hesitate to drop us an email and we'll help you out ASAP.

# PACKAGE LIST

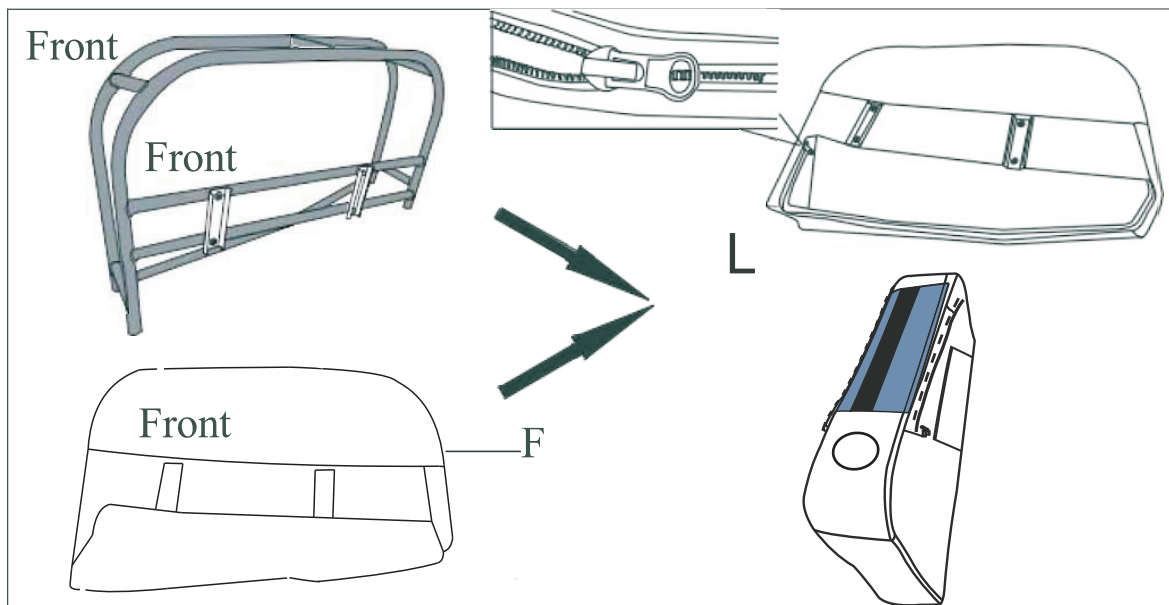


# ASSEMBLY IN STRUCTION

STEP 1: Use spanner O and screw N to pin through the inner iron frame D and the armrest pillar M to the outer frame E of the armrest. Tight all screws, please pay attention to distinguish the front and back of the armrest frame.



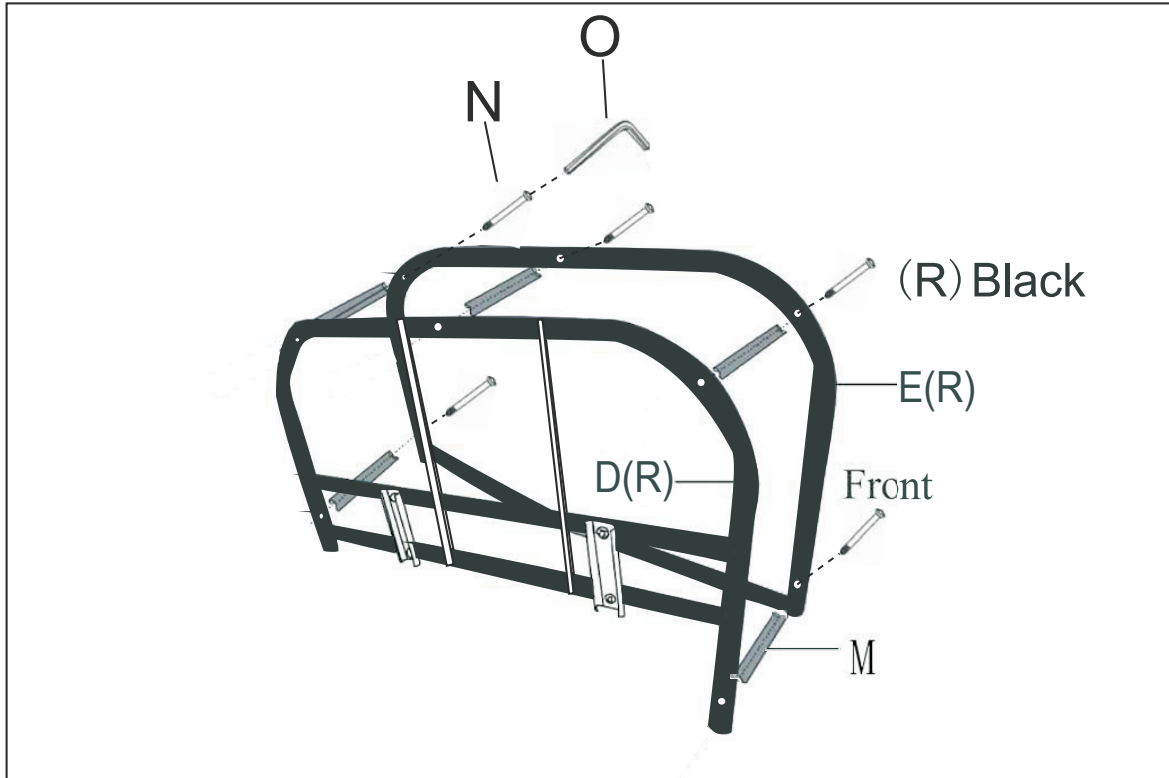
STEP 2: Align the armrest cover to armrest-assembled iron frame in sequence of left and right, back and forward. so that the cloth cover hole is aligned with the insert hole. Pull the zipper after all is OK.



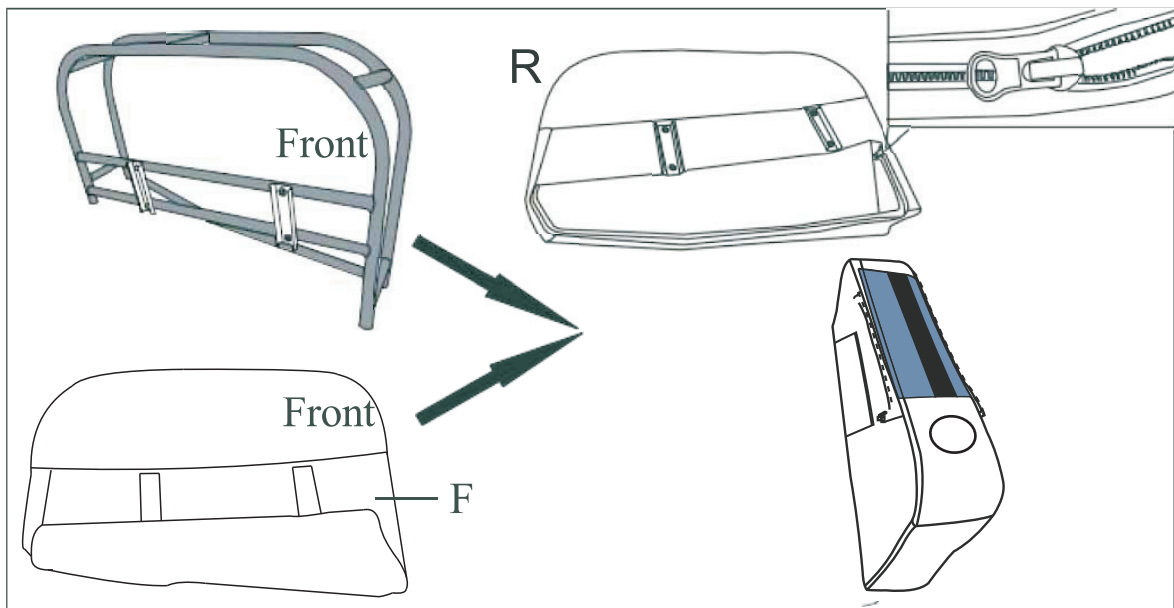
# ASSEMBLY IN STRUCTION

04

STEP 3: Repeat Step 1.



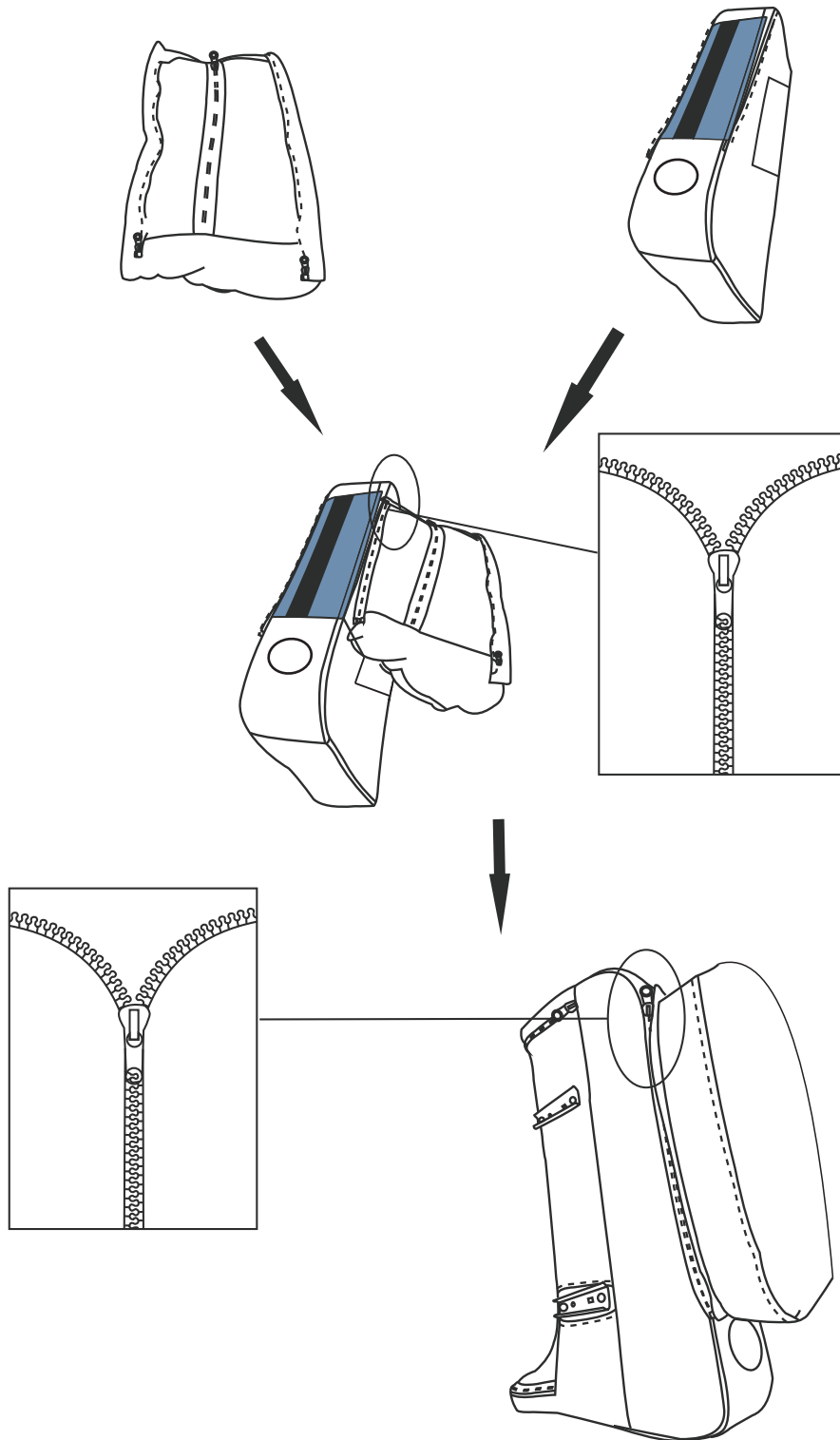
STEP 4: Repeat Step 2.



# ASSEMBLY IN STRUCTION

05

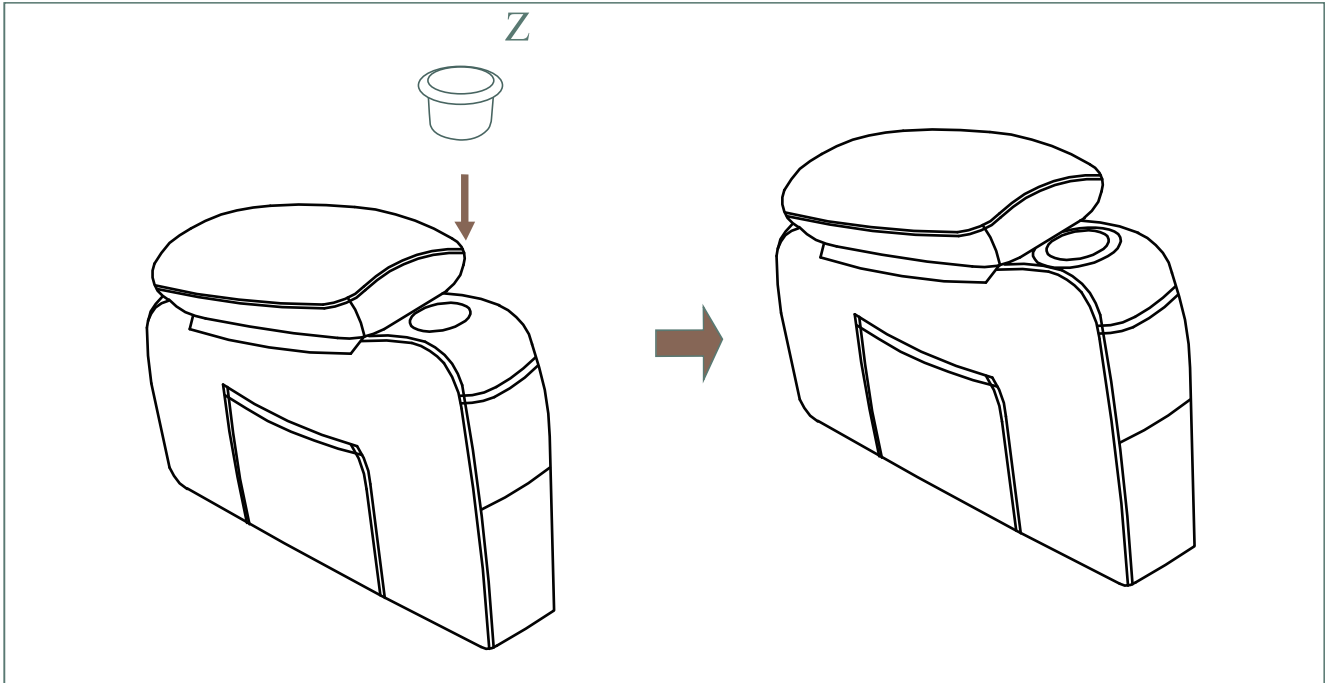
Please zip up both sides of the arm cushion



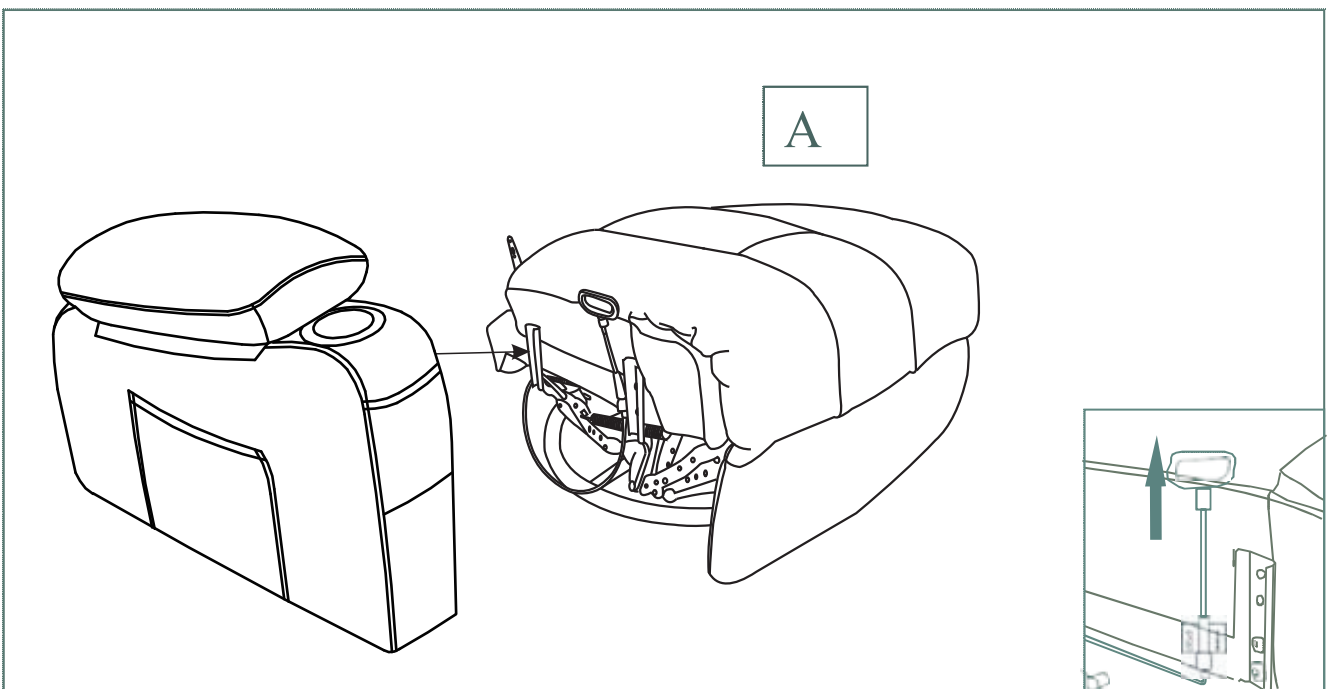
# ASSEMBLY IN STRUCTION

06

## STEP 5



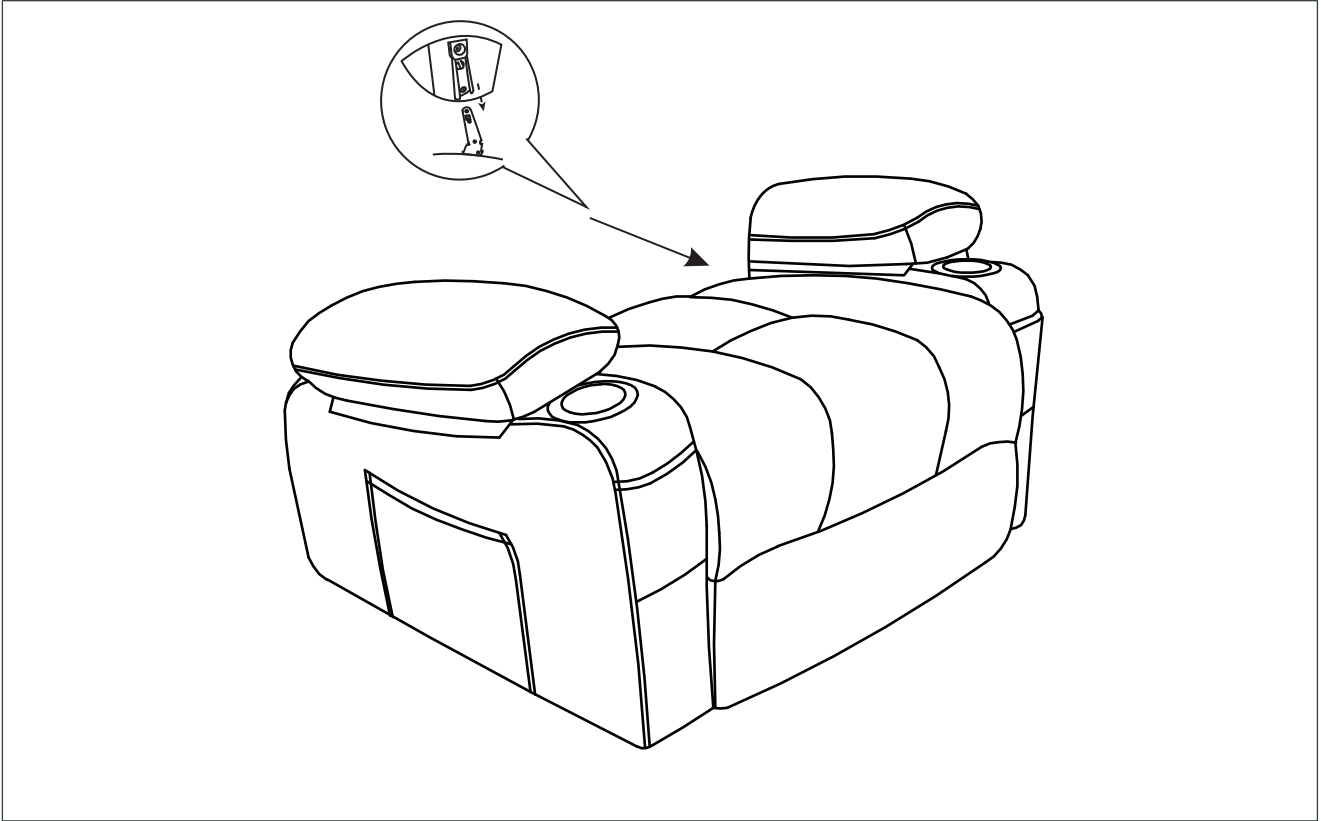
STEP 6: Insert arms so that they can fit into the seat, you will hear a “click” when they are engaged.



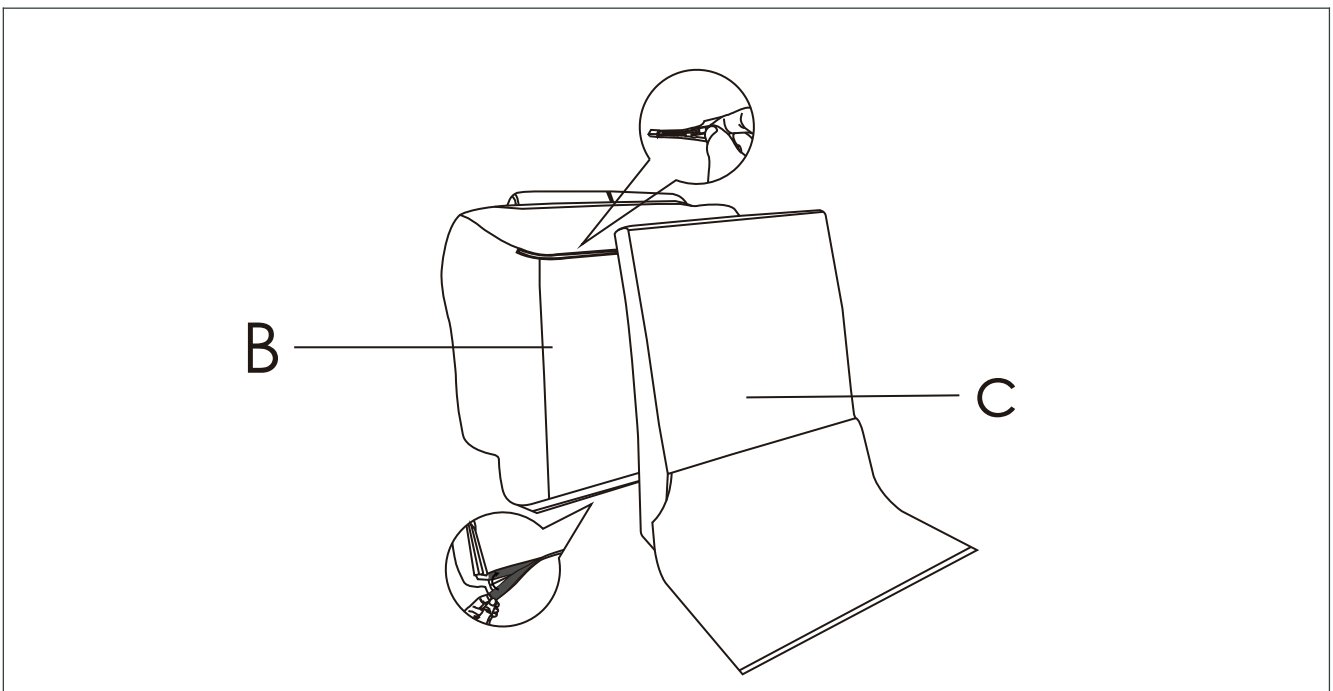
# ASSEMBLY IN STRUCTION

07

STEP 7 :Insert arms so that they can fit into the seat,you will hear a“ click” when they are engaged.



STEP 8 :Zip the backpack and back frame, and then connect the backpack and back frame with velcro.

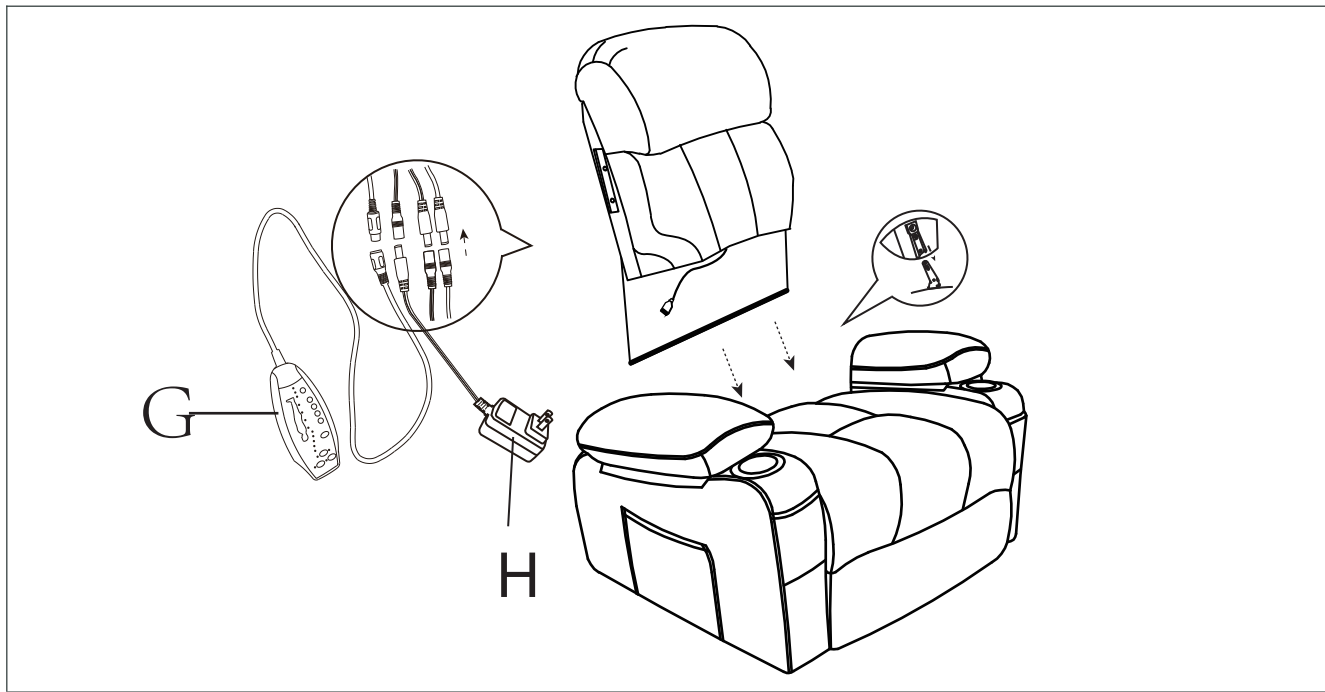




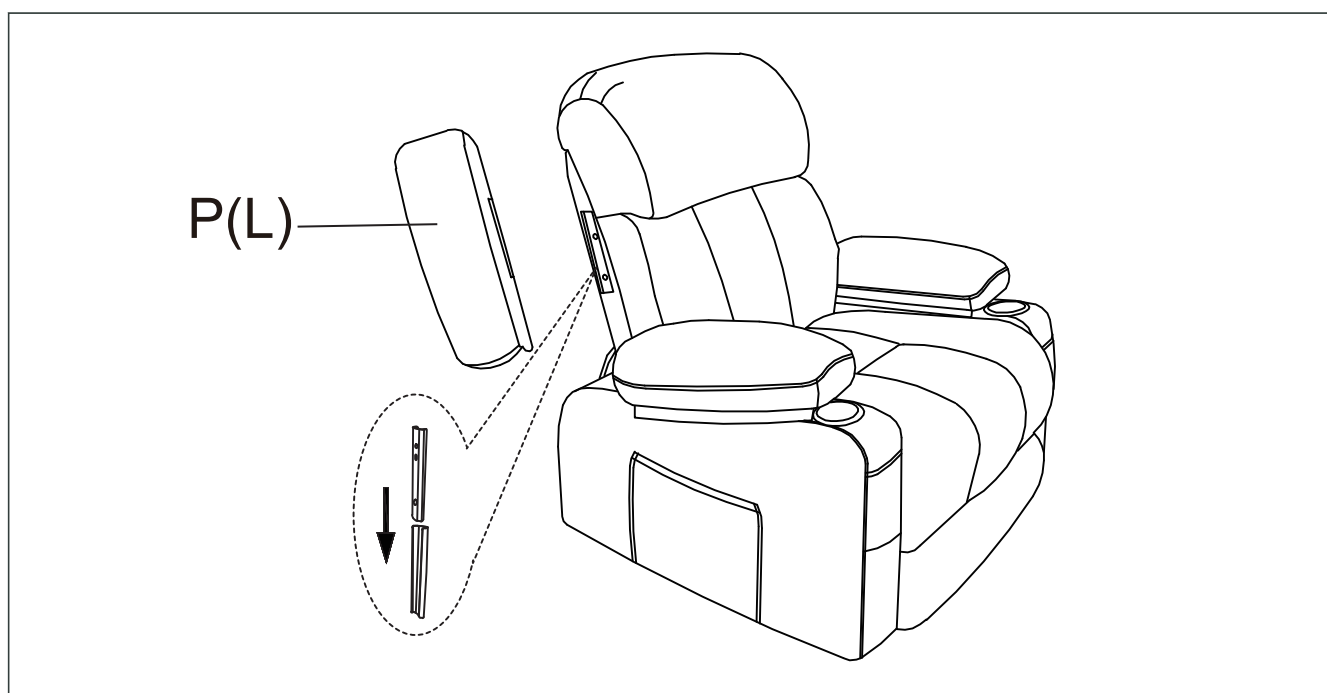
# ASSEMBLY IN STRUCTION

08

STEP 9 :Plug the back pad into the seat frame, and then connect the massager line white and white, red and red, black and power lines, and the massage line with the hand controller.



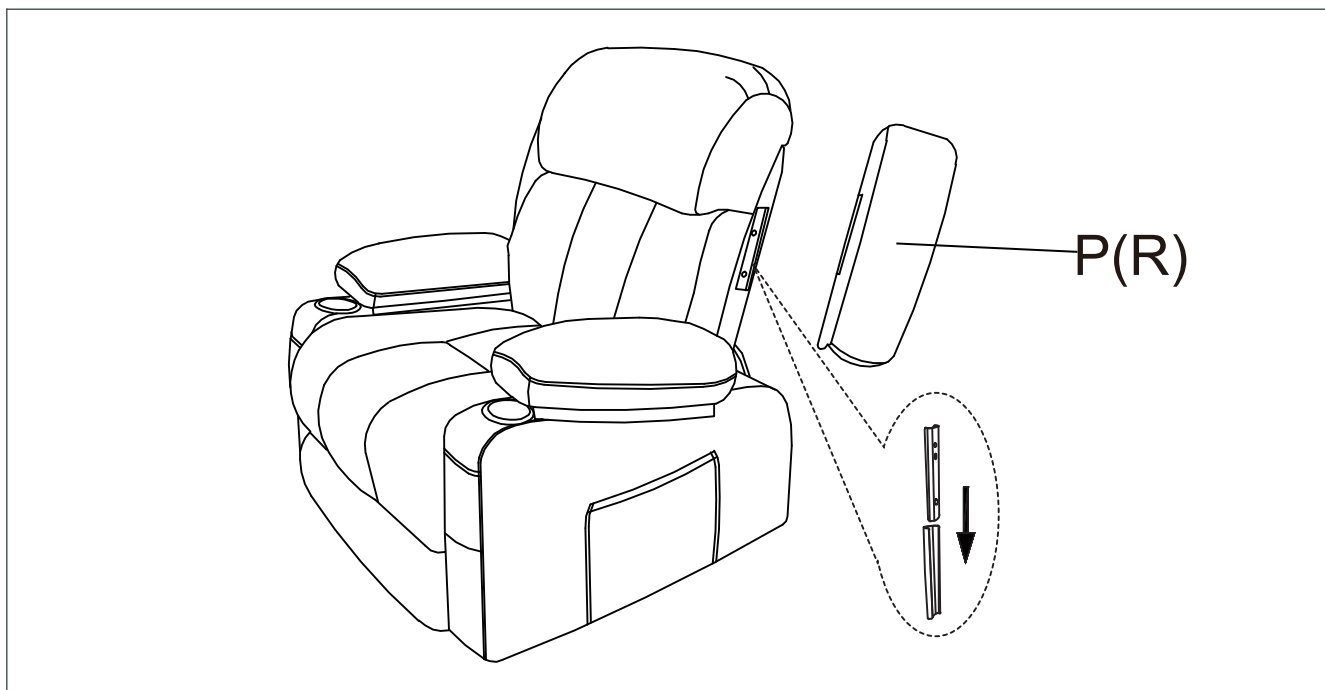
STEP 10: Insert the back ear so that it can be installed into the back side. When they engage, you will hear a "click" sound.



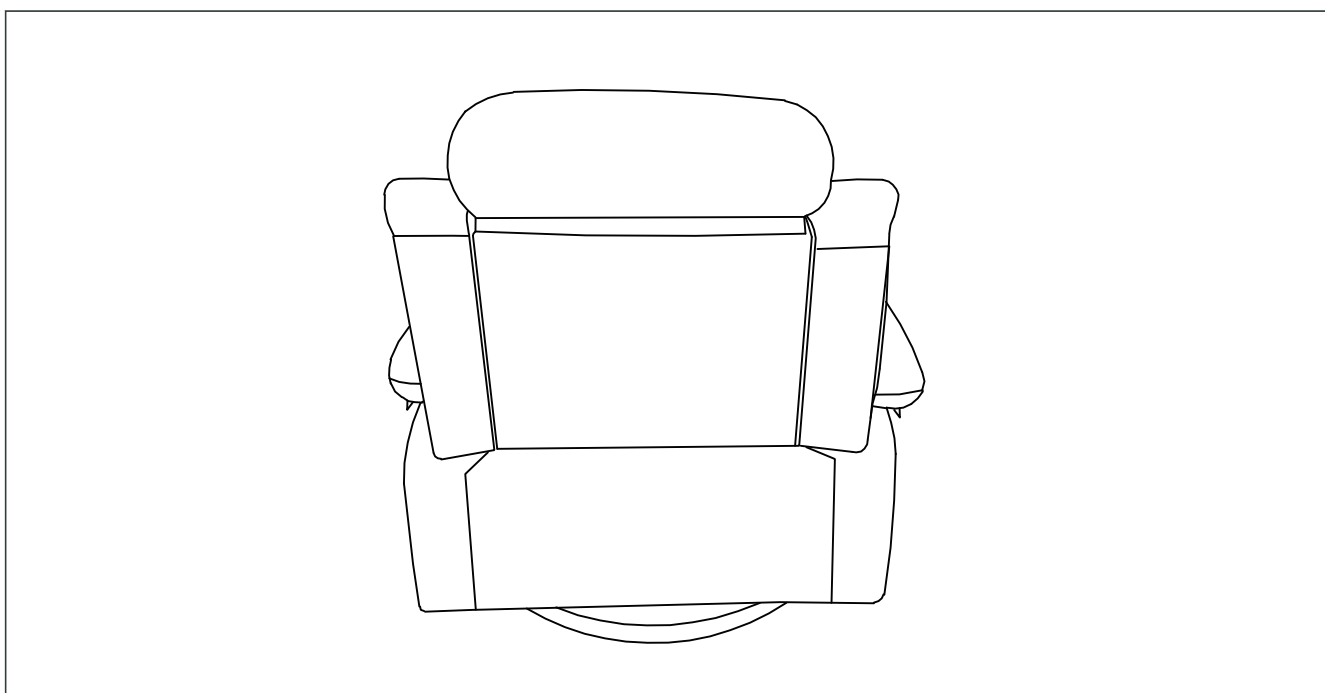
# ASSEMBLY IN STRUCTION

09

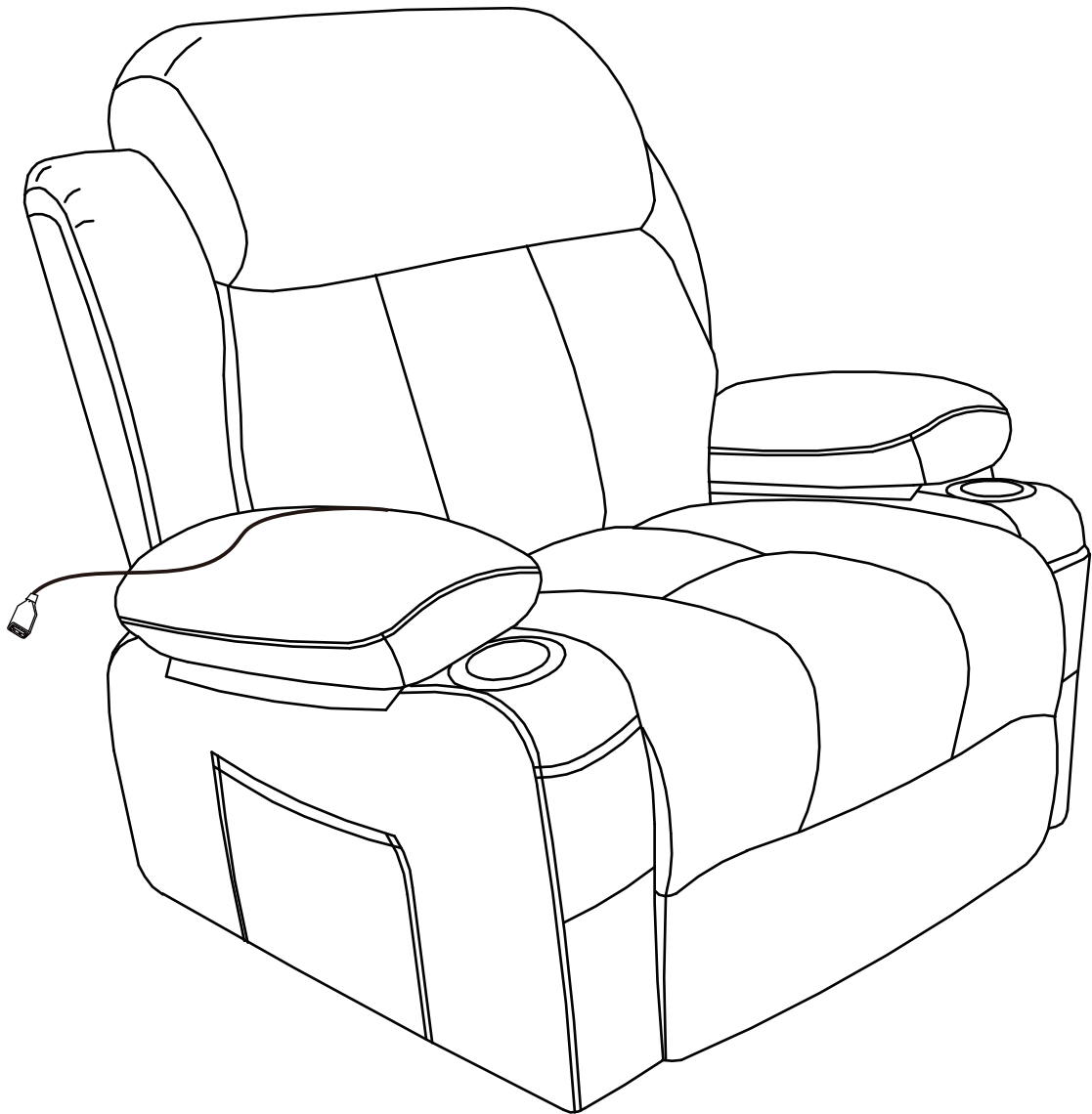
**STEP 11:** Insert the back ear so that it can be installed into the back side. When they engage, you will hear a "click" sound.



**STEP 12:** Stick the velcro from the back frame to the seat frame.

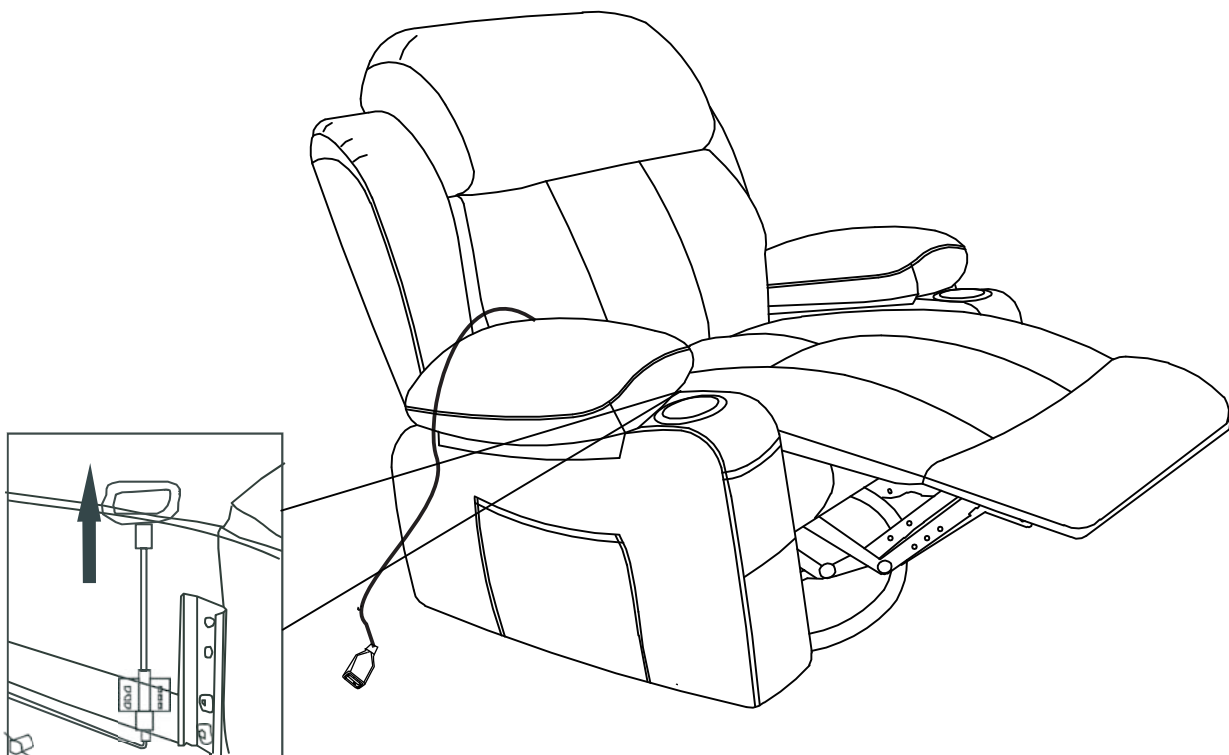


*Congratulations! You've assembled*  
**Your Sofa!**

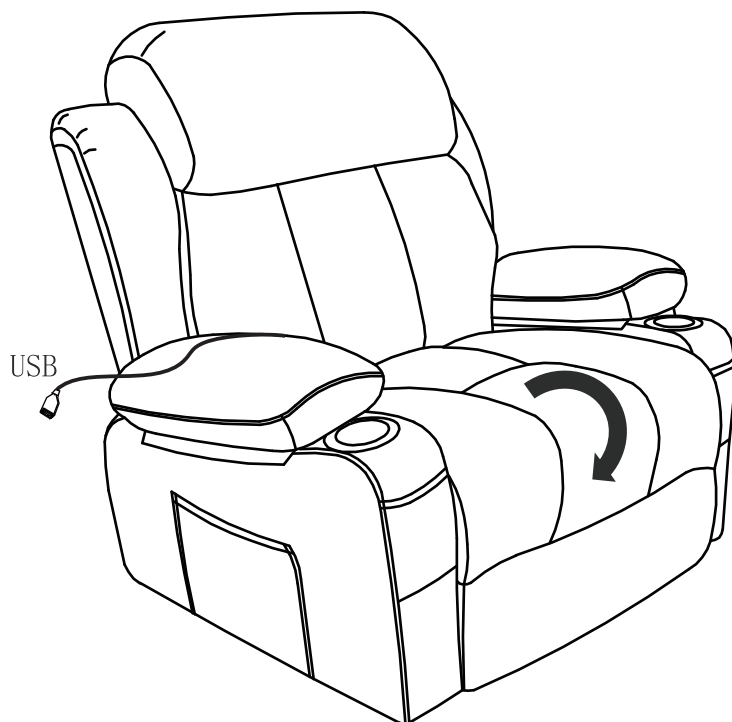


Note: Since the backrest is packed in compression, after the product is installed, you need to tap and adjust the backrest which can help restore fullness. After two days, you will get a Overstuffed Recliners as picture shows.

## OPERATING INSTRUCTION



Pull the handle to spread out the SOFA



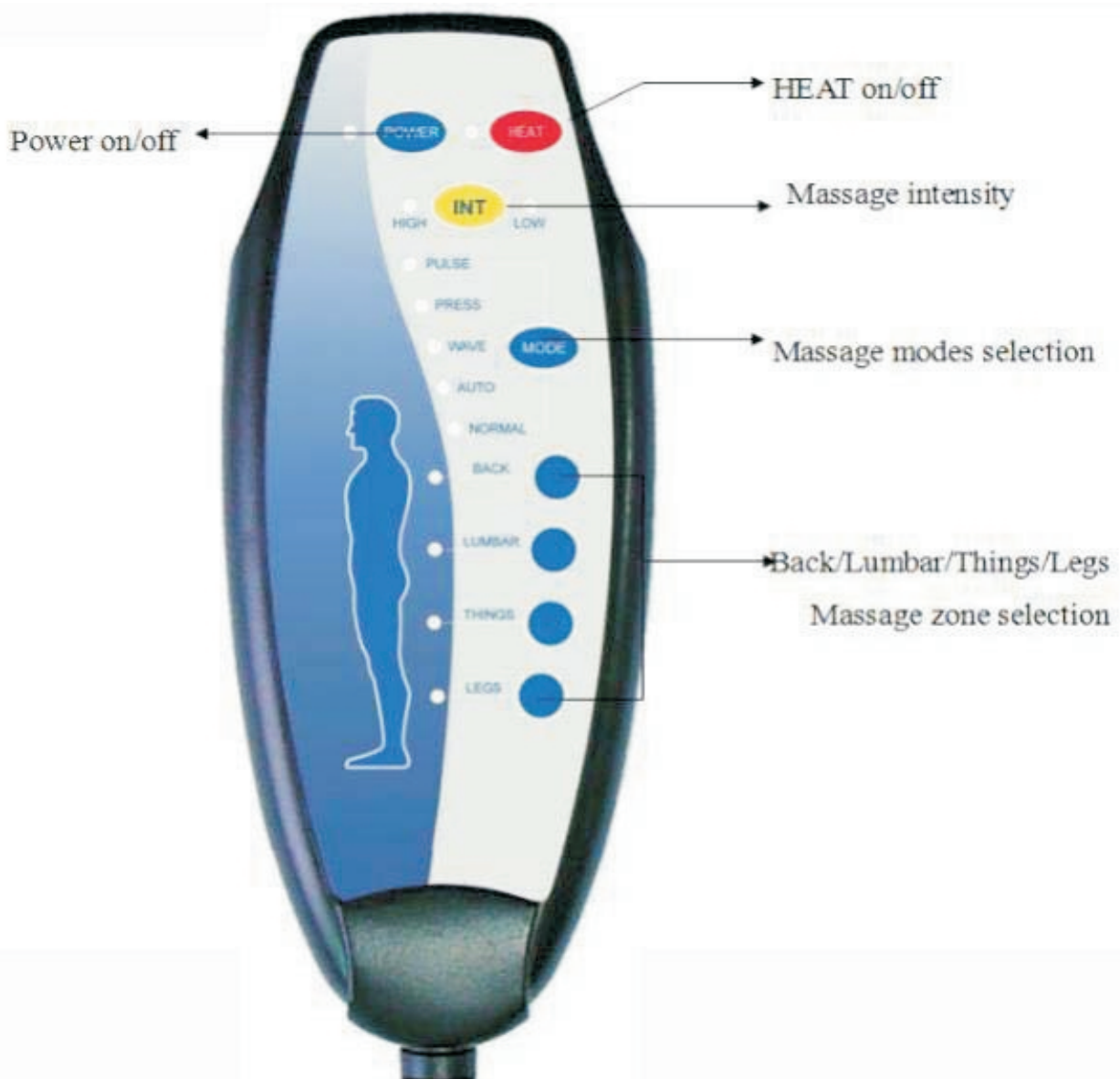
Pull back the SOFA with your legs

# *MASSAGE CHAIR*

READ ALL INSTRUCTIONS  
BEFORE USING THE ITEM

## REMOTE CONTROL

Function of remote

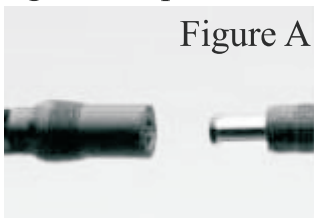


## PRODUCT FEATURE

- Massage & Heating Function
- 5 Massaging modes
- Adjustable intensity
- Four massage zones, each zone can be operated individually
- The default timing is 15 min

## HOW TO USE

- 1 、 Insert adapter jack into the socket found on back of the massage cushion, then plug the adapter into a wall outlet(see Figure A)



- 2 、 Turn the unit **ON** by pressing the **POWER** button once, The LED will illuminate when power is on.
  - 3 、 Turn on the massage in each zone by pressing the **BACK**, **LUMBAR**, **THINGS** or **LEGS** buttons. LEDs will illuminate when each zone is activated. To turn off a zone, press the button again.
  - 4 、 To choose a desired massage mode, press the **MODE** button. To change modes, press **MODE** button until LED for desired mode illuminates
    - PULSE**---for deep tapping massage
    - PRESS**---provides rapid tapping massage
    - WAVE**----for a gradual, side-to-side vibrating massage
    - AUTO**---provides a random pulsing massage to all zones
    - NORMAL**---for a firm, vibrating massage
  - 5 、 To change the massage intensity press the **INTENSITY** button. The LED for **HIGH** or **LOW** intensities will illuminate when chosen.
- NOTE: Discontinue use immediately if you feel any discomfort or pain.
- 6 、 NOTE: for your benefit, the massage mat is equipped with an auto shut-off feature that will turn the cushion unit off after 15 minutes of continuous use.
  - 7 、 DO NOT use for more than 15 minutes of continuous use.

## IMPORTANT SAFETY INSTRUCTIONS

When using an electrical appliance, basic precautions should always be followed, including the following:

- 1 、 This product is for use on a 12V circuit Make sure that the product is connected to an outlet having the same configuration as the plug.

- 2、 Always unplug the massager from the power source after use, and before cleaning.
- 3、 Do not reach for massager if it has fallen into water. Unplug immediately.
- 4、 An appliance should never be left unattended when plugged in. Unplug from outlet when not in use, before putting on or taking off parts or attachments.
- 5、 Do not use outdoors.
- 6、 Do not carry this appliance by supplied cord as a handle.
- 7、 Keep the cord away from heated surfaces.
- 8、 Close supervision is necessary when this appliance is used by on or near children, invalids or disabled persons.
- 9、 This unit is not a toy. Children should not use it or play with it.
- 10、 Do not operate where aerosol (spray) products are being used or where oxygen is being administered.
- 11、 Do not use near eyes or other highly sensitive areas.
- 12、 To disconnect, push "POWER" key to "OFF" place, make sure all functions stopped, then remove plug from outlet.
- 13、 Use this appliance only for its intended use as described in this manual. Do not use attachments not provided with the unit.

#### HEALTH CAUTION

- If you have any concerns regarding your health, consult your doctor before using this product.
- Individuals with pacemakers should not use this product.
- If you experience pain in a muscle or joint for a prolonged period of time. Discontinue use and consult your doctor. Persistent pain could be a symptom of a more serious condition.

#### MAINTENANCE INSTRUCTIONS

##### TO STORE:

Place unit in its box or safe, dry, cool place. Avoid contact with sharp edges or pointed objects which might cut or puncture the fabric. Do not wrap power cord around the unit. Do not hang the unit by power cord.

##### TO CLEAN:

- Ensure the unit is unplugged from the power source, and allow the unit to cool down before cleaning.
- Do not use any liquid to clean. Clean fabric cover by wiping with a damp sponge, using a mild detergent or suds. Pat with clean, dry cloth.
- Do not use any abrasive cleaners, brushes, gasoline, kerosene, glass furniture polish, paint thinner or water hotter than 120° F to clean the unit

## Warnings

- Sit down in the chair gently. To avoid tipping over, do not throw yourself into the chair. Move the chair into the reclining position slowly, making sure that no children or pets are in close proximity. Do not allow children to play on or around the chair, particularly when it is in an open position.
- Close the recliner completely before getting out of it.
- Never sit on the footrest when it is open, even if it is a child.
- To eliminate the risk of tipping over, do not sit on the arms or footrest of the chair.
- This chair is designed to be used by 1 adult at a time.
- Maximum weight capacity is 350LBS, Do not allow any person who over 350LBS to sit on the recliner.
- Please forbid people with the following ailments from using this sofa: Those people with severe symptoms of heart disease, high blood pressure, cerebral thrombosis and others who are sensitive to heat or completely insensitive to heat, those with brittle bones or have issues with waist support pregnant women, children and others where it has been determined they are not suitable to use this product under the guidance of doctors.
- To fully recline the sofa, ensure the sofa well, you need to put the sofa at least 19 inches away from the wall or any other obstacle.
- Product cannot touch water, fire, etc. Product can also not come in contact with sharp objects (knives, nails, etc.)

## Maintenance Manual Instructions

- To avoid dropping, you should carry the sofa carefully.
- If you find dirt and or stains on the chair, spray the sofa with a sofa specific cleaner then use a sponge or cloth to wipe the dirt away. Do not use water, soapy water or cleaner with waxed wooden areas. Take care to wipe the sofa carefully and gently.
- Do not put the sofa in an area with direct sunlight and do not put the sofa directly in front of an air conditioner, this will fade the upholstery and make it brittle.



## **How to Disassemble**

Please find a strong tool to prod the small piece of metal grooves, then the backrest will be pulled out. The tool is not included.