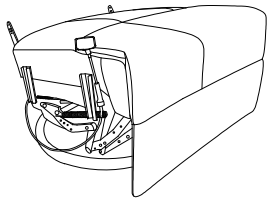
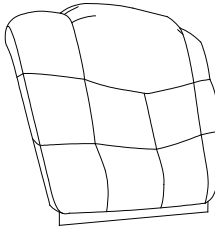
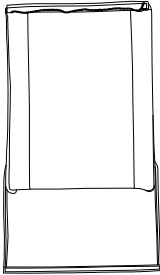
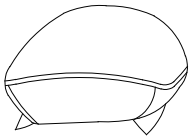
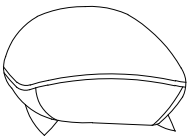
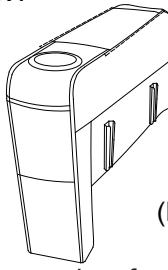
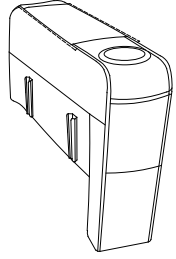
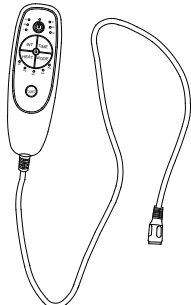
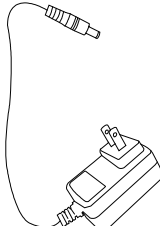


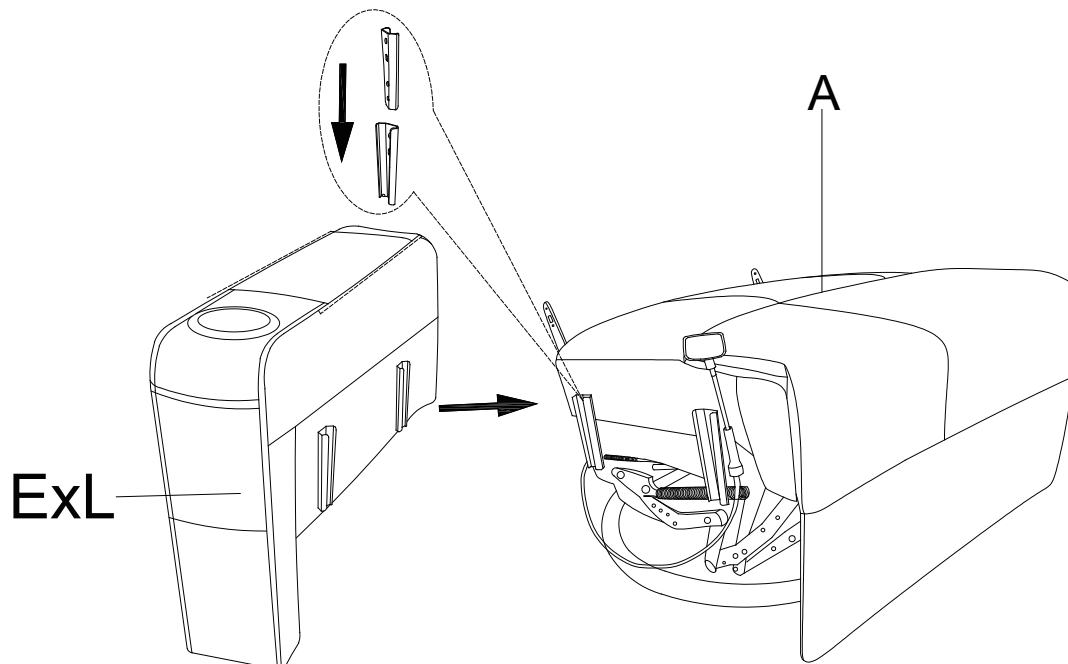
INSTRUCTION MANUAL
MODEL:1230-2GSM

Edition:202308290828S

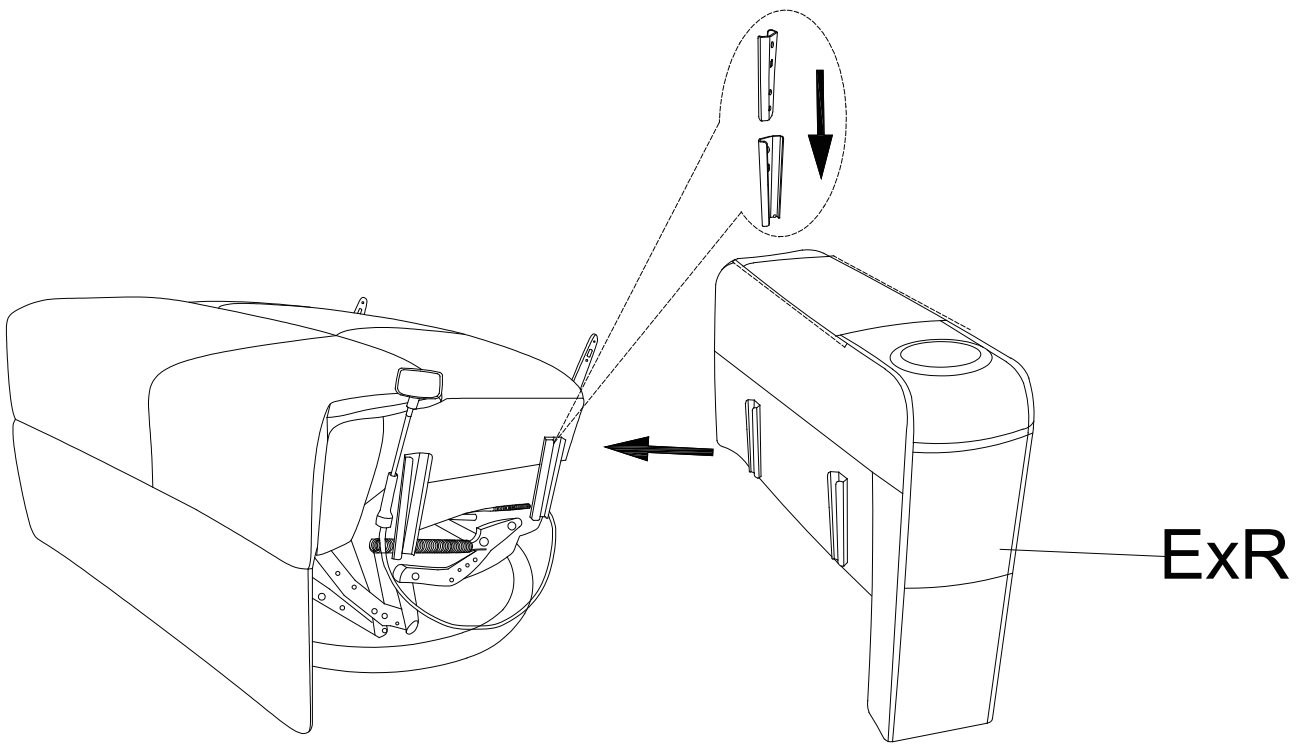
Assembly Instruction

Ax1  Seat	Bx1  Back	Cx1  Backrest	
DxLx1  Handrail bag	DxRx1  Handrail bag	ExLx1  (L) iron frame cover	ExRx1  (R) iron frame cover
Fx1  Massager remote control board	Gx1  Massager power supply		

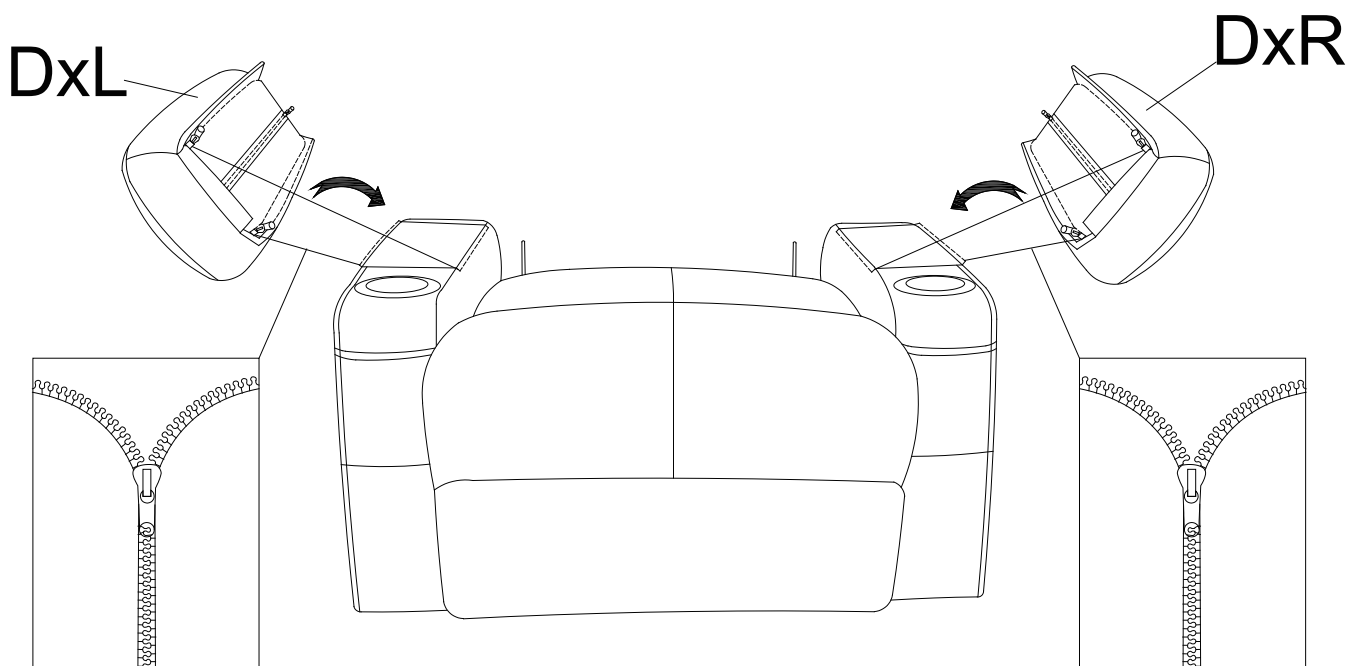
Step 1: Insert the arms into the seat in a way that they fit properly .
You will hear a click when they are securely engaged.



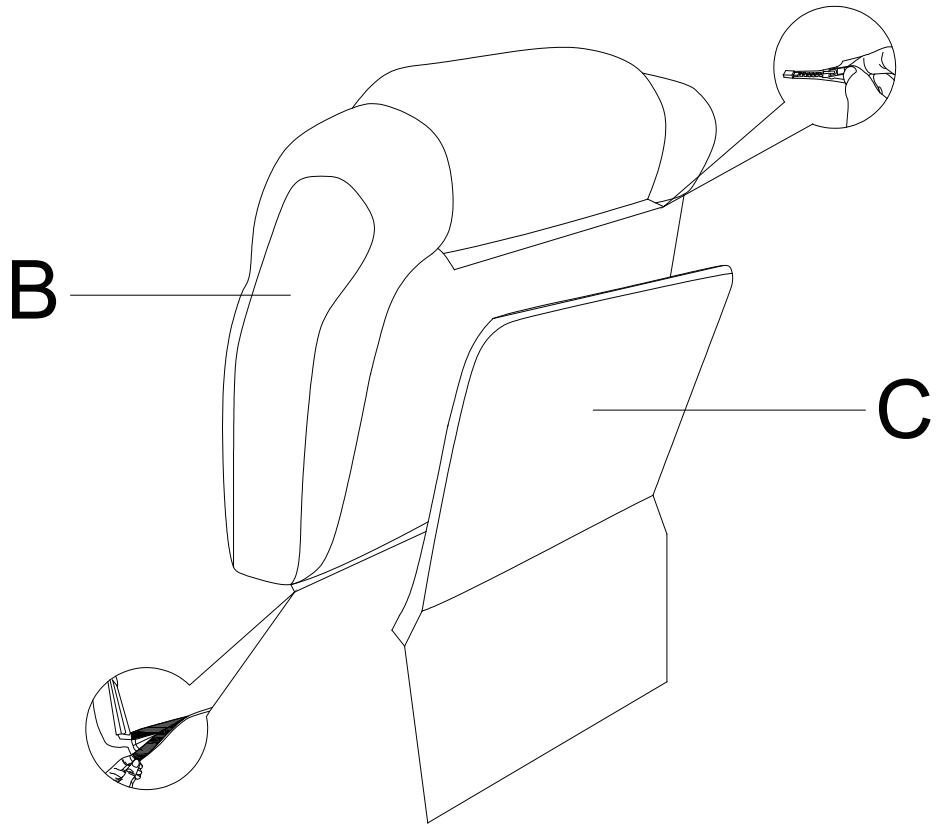
Step 2: Repeat Step 1.



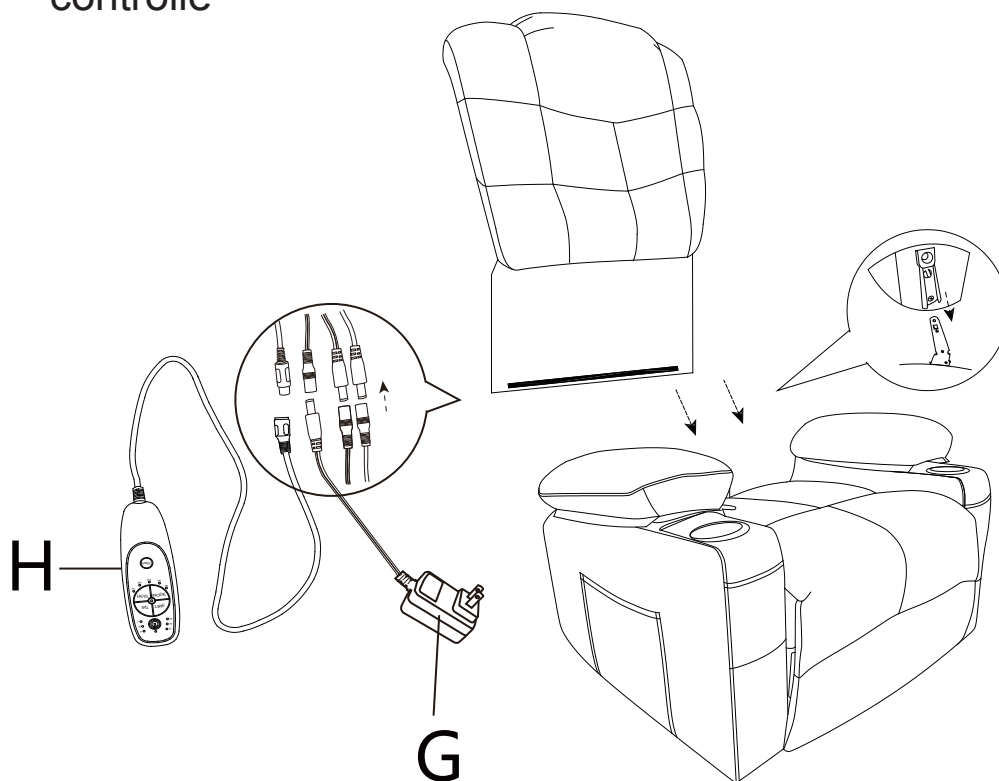
Step 3: Please zip up both sides of the arm cushion.



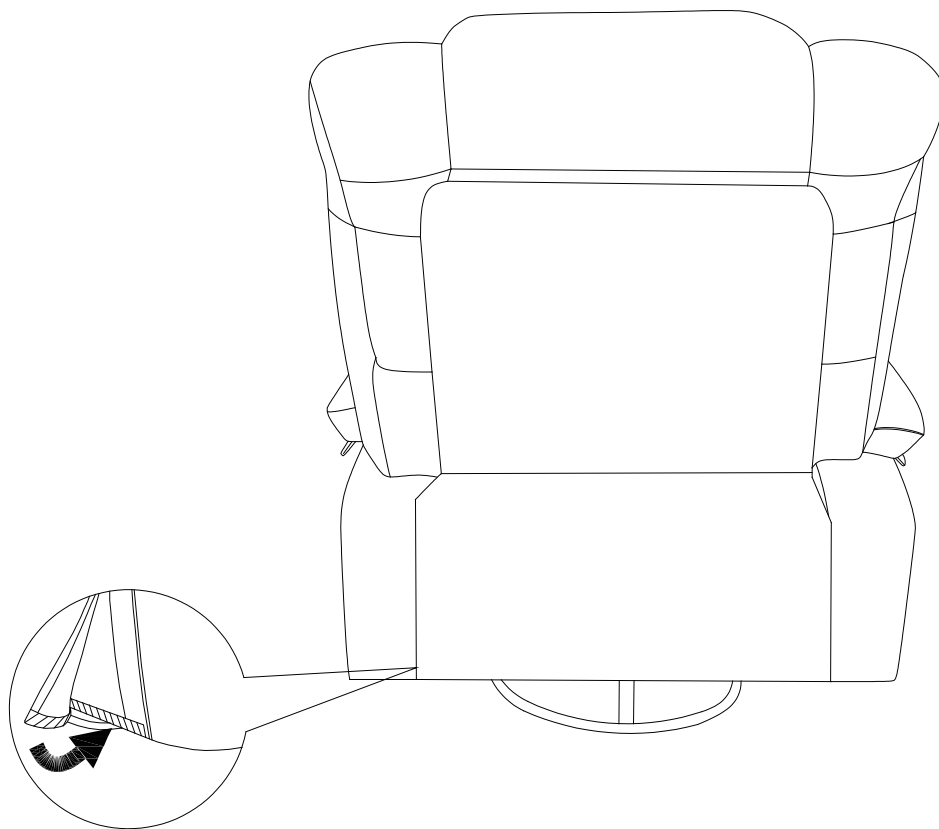
Step 4: Zip up the backpack to the back frame ,then connect the backpack and back frame with velcro.



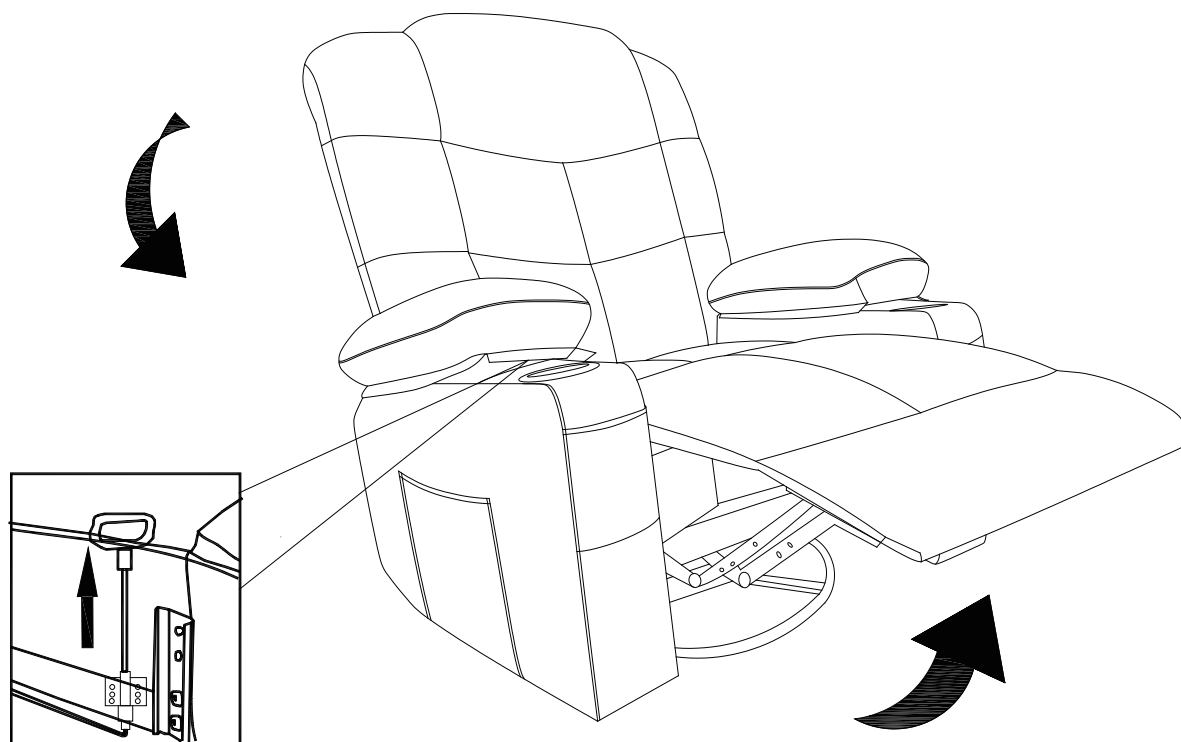
Step 5: Plug the back pad into the seat frame , then connect the massager lines: white with white , red with red , black with the power lines , connect the massage line with the hand controlle



Step 6: Stick Velcro under the back frame

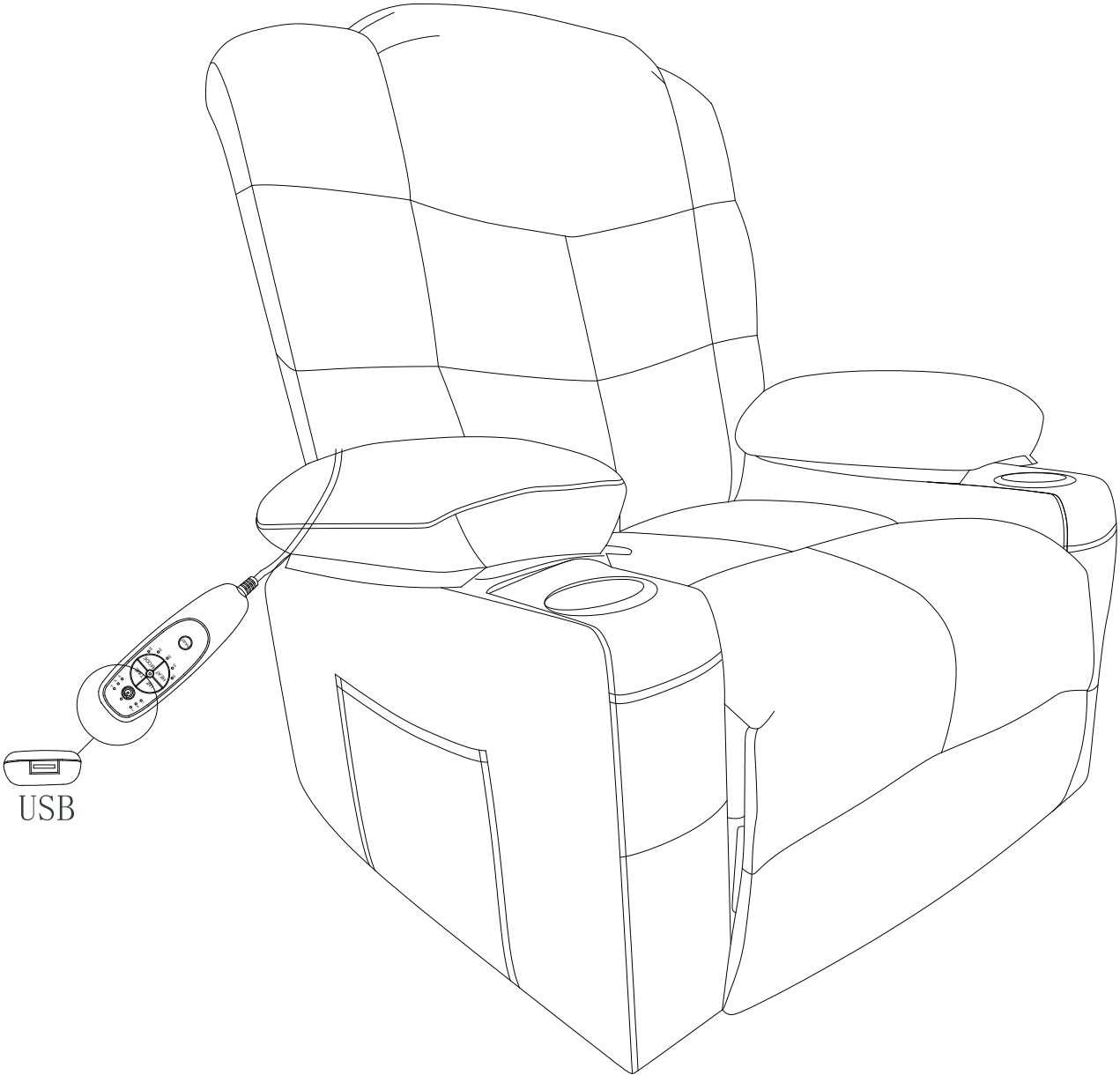


Step 7: Recline the chair



Step 8

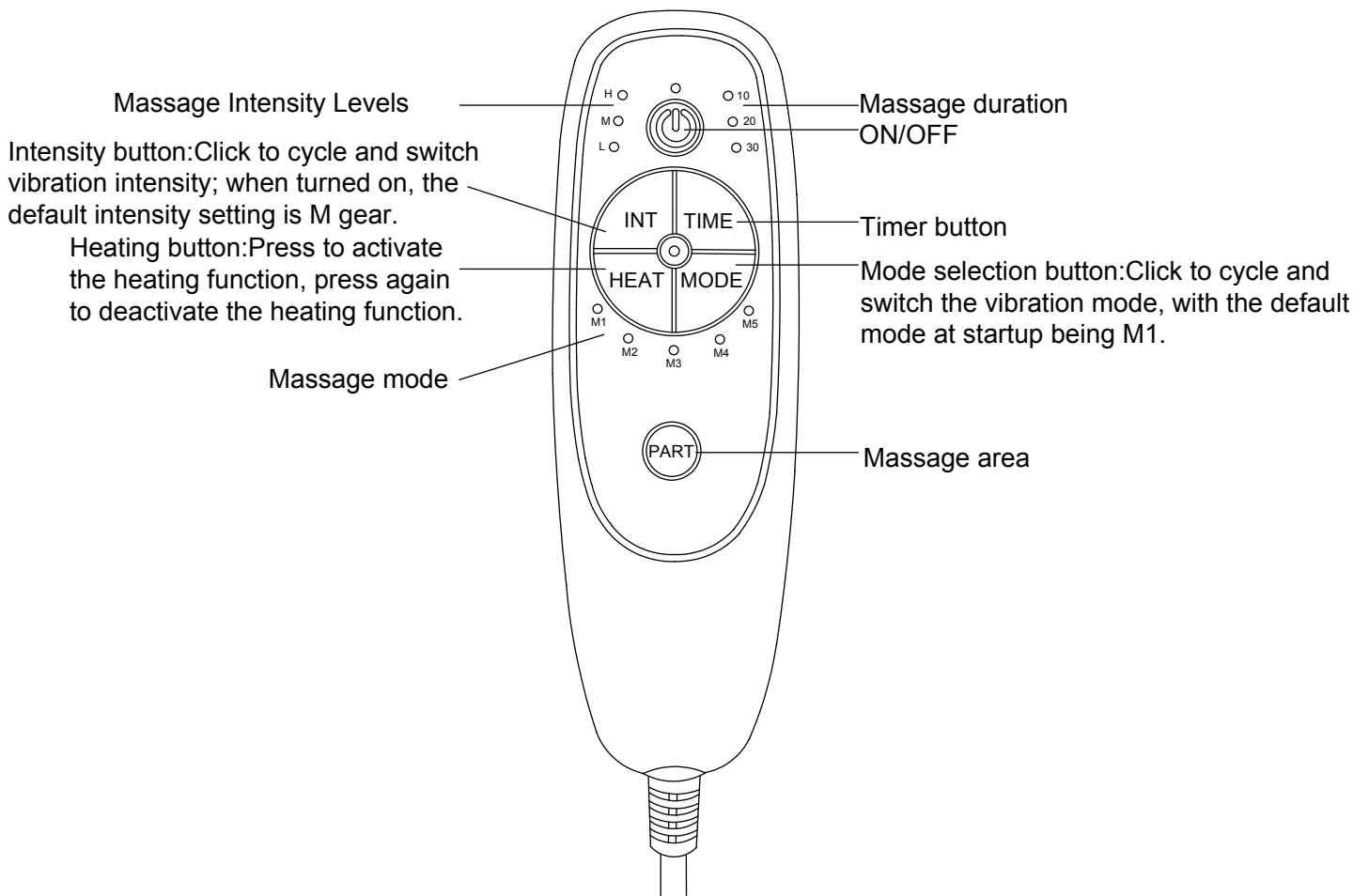
Done!



MASSAGE CHAIR

READ ALL INSTRUCTIONS
BEFORE USING THE ITEM

REMOTE CONTROL Function of remote



I 、 Specifications of power adapter

The power is on in the standby state. The user can activate the function via the hand controller.

Input:AC100-240V,50Hz/60HZ;Output:DC12V1A.

II 、 Product features

- 1、 8 points massage
- 2、 One-way switch for independent heating plate operation
- 3、 Three-segment timing, with a default shutdown time of 10 minutes.
- 4、 Three levels of vibration intensity
- 5、 5 vibration modes

III、 Function details

- 1、 Switch on and off
- 2、 TIME: Cycling through massage durations (10/20/30 min). Default startup is 10 minutes.
- 3、 MODE: Tap the five vibration modes to switch (M1/M2/M3/M4/M5). The default startup mode is M4.
- 4、 INT: Switch intensity by vibration strength (H/M/L). Default startup is M (medium).
- 5、 HEAT: Click to toggle heating.
- 6、 PART: Vibration positioning key. Default startup is full vibration; tap to switch to single-part vibration.
- 7、 Massage Intensity Levels
- 8、 Massage duration
- 9、 Massage mode