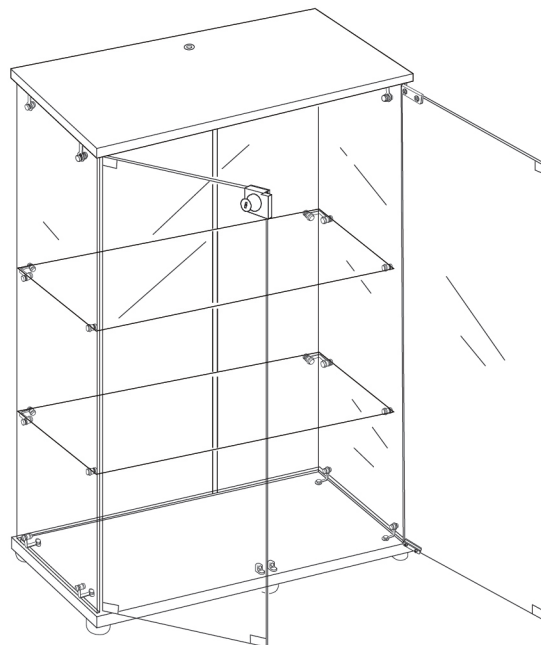


TRANSPARENT CABINET

TEMPERED GLASS
WINE CABINET / DISPLAY CABINET



IMPORTANT:

READ THROUGH CAREFULLY.

KEEP THIS MANUAL FOR FURTHER STUDY.

WARNING

FURNITURE TIPPING-OVER CAUSES SERIOUS OR DEATH INJURIES.

ALWAYS SECURE THIS PRODUCT TO WALL PERMANENTLY.



The only piece of wall secure device included in the delivery is good for wooden and/or other hard walls. For wooden wall, just use the screws, all included plastic screw accessories are for option. For hard walls, please drill holes with hammer, then insert the screws and plastic accessories. Wall secure device included in the delivery is not good for walls with weak holding force, such as gypsum board. To secure this product on this kind of walls, please make sure the screws are securely attached on the keel. Please choose correct secure devices according to the wall type in your house.

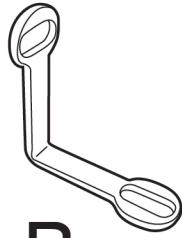
1. Tempered glass may self explode and the possibility is only 0.3%. In case of this accident, please contact us, and we replace the damaged glass. During installation, please wear gloves, long sleeve shirt, pants and socks to avoid possible injury.
2. To avoid possible accident, please keep babies and children away during installation. At the same time, please make sure that the installation is done by two adults.
3. During installation, please use cardboards or carpets as buffer layers to isolate the possibility of collision between the glass corner and hard objects such as the ground. Especially when installing tempered glass, please do not let the corner knock to the ground, so as to avoid self explosion of tempered glass caused by stress change;
4. When the cabinet is installed, please immediately install the anti-tip device to prevent possible serious or death injury. In order to prevent possible tipping over, the cabinet must be permanently secured to wall. Wall fixing device is not limited to the one we included in the delivery. You are free to install similar devices to avoid possible danger and increase safety;
5. Only adults are permitted to operate this cabinet. Please keep babies and children away from this cabinet. Please tell babies and children NOT to operate the cabinet door, NOT to shake the cabinet to avoid the risk of collision of cabinet door or object drop. Again, please install anti-tipping device, keep babies and children away (minimum 2 meters/6.6 feet away). Please also install door lock to avoid possible injury caused by accidental operation by babies and children;
6. The top/bottom plate of this cabinet is made of MFC/PVC covered particleboard, which is not fireproof;
7. For disposal of, please consult the relevant local authorities and/or qualified companies;
8. The product is a partially transparent tempered glass cabinet, it is not fully transparent. After installation, the gap may be different due to the different fastening force;
9. No part of this product can be swallowed, played or used for other purposes;
10. Please refer after installation by adjusting the foot support on the product. The max load on plate glass is 8.00kgs/17.63lbs. Note that the load bearing is only for the product and items stored;
11. Product dimensions may have a tolerance of up to with 10.00mm/0.4 in by different measuring tools or methods.
12. After the cabinet is installed, if the cabinet is moved or used for a long time, please check and tighten all screws to avoid potential safety hazards such as shelf falling and loose cabinet structure caused by loose screws.

ACCESSORY PACKAGE



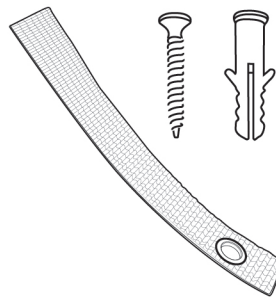
A

Connector A /x4

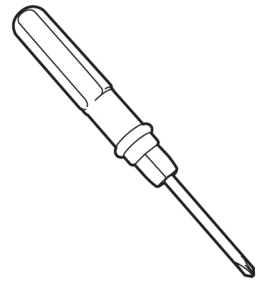


B

Connector B /x8



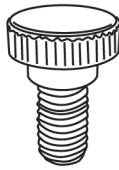
Anti-tipping device /x1



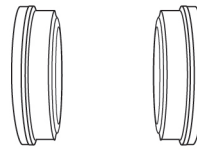
Screwdriver /x1



Nut /x20



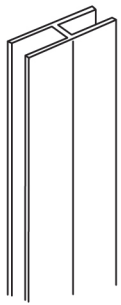
screw /x29



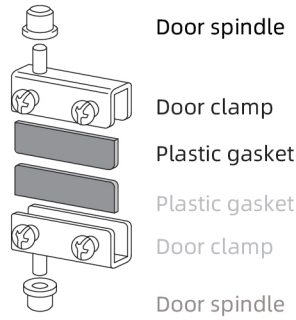
gasket(white) /x20



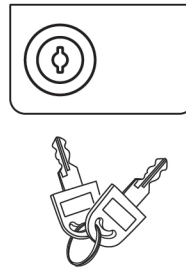
Washer(white) /x20



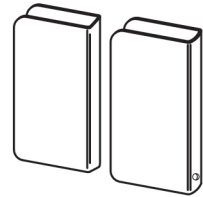
Rubber strip /x1



Door clip set /x2



lock /x1



Horn guard /x1

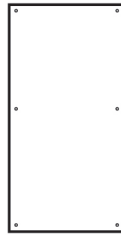
1185*387*4 mm



1

Back glass /x2

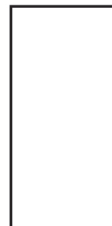
1185*345*4 mm



2

Side glass /x2

1165*387*5 mm



3

Door glass /x2

777*315*5 mm



4

Shelf glass /x2

805X365X25mm



5

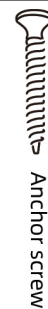
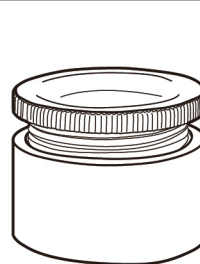
Top panel /x1

805X365X25mm



6

bottom panel /x1



Anchor /x6

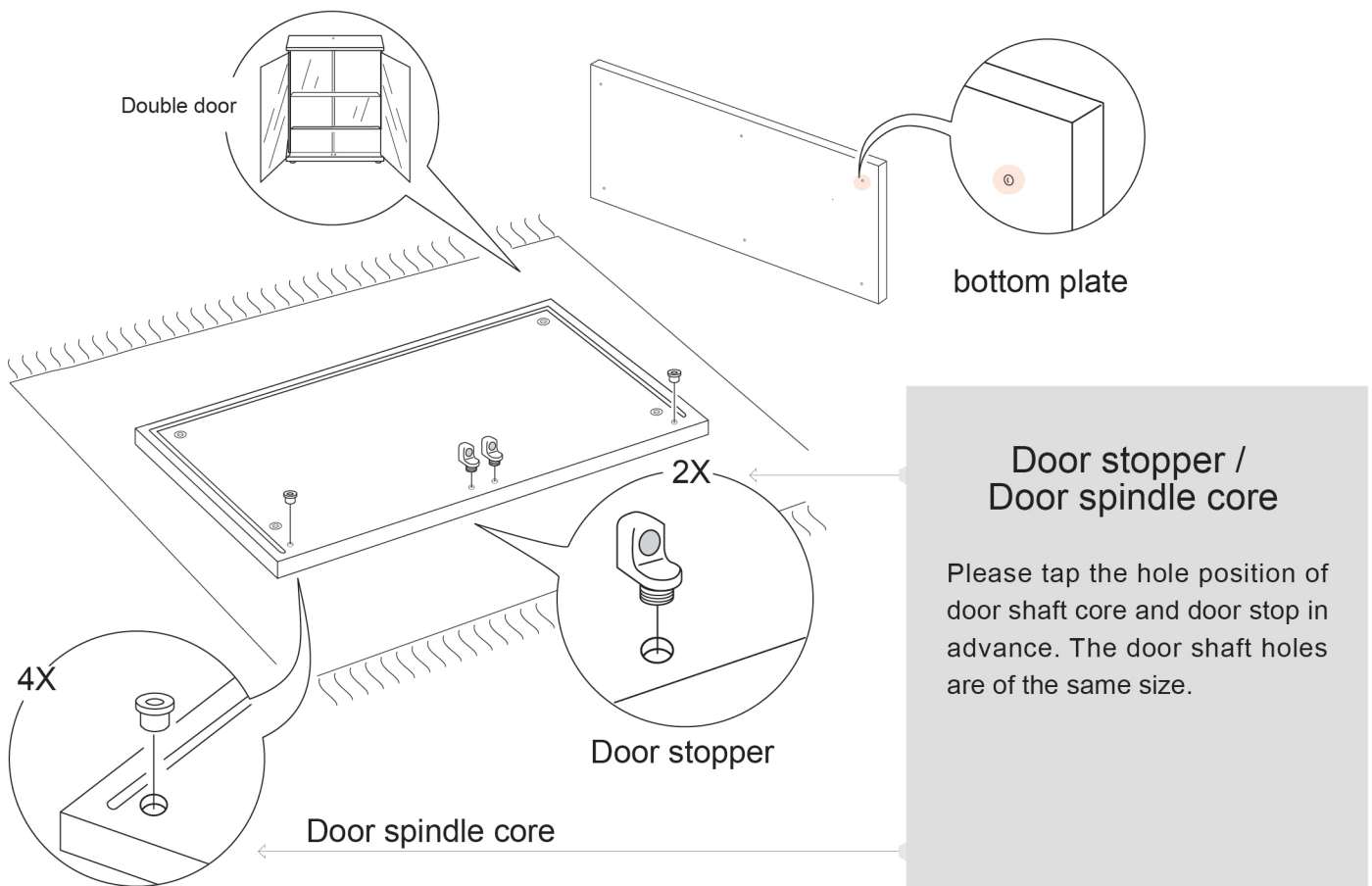


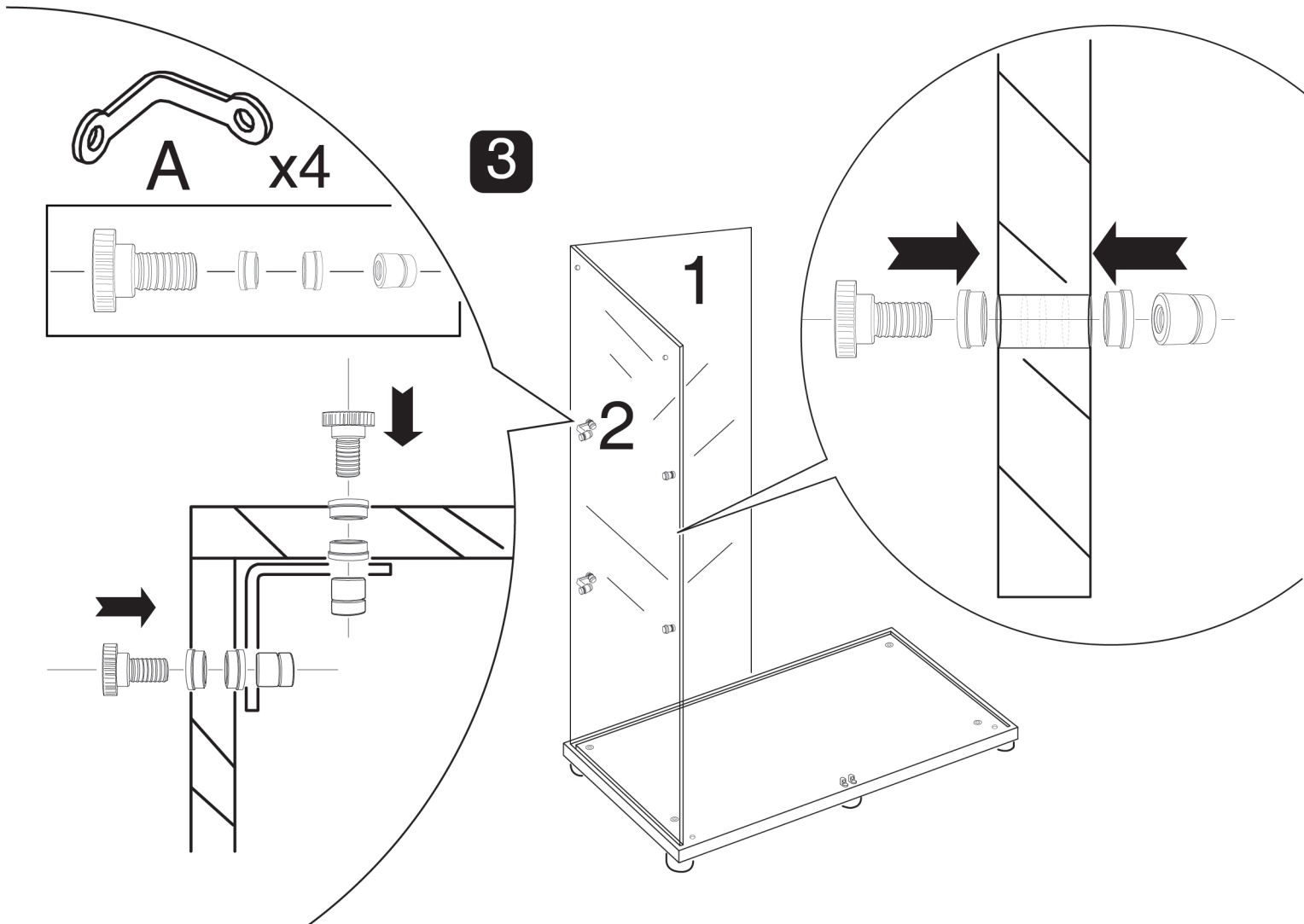
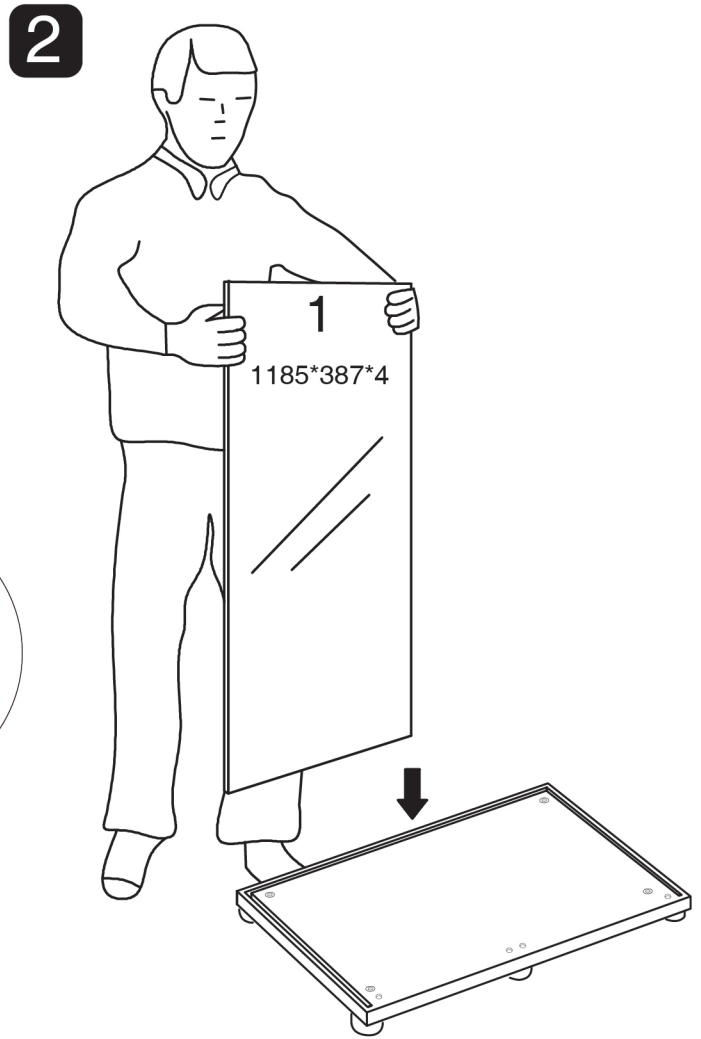
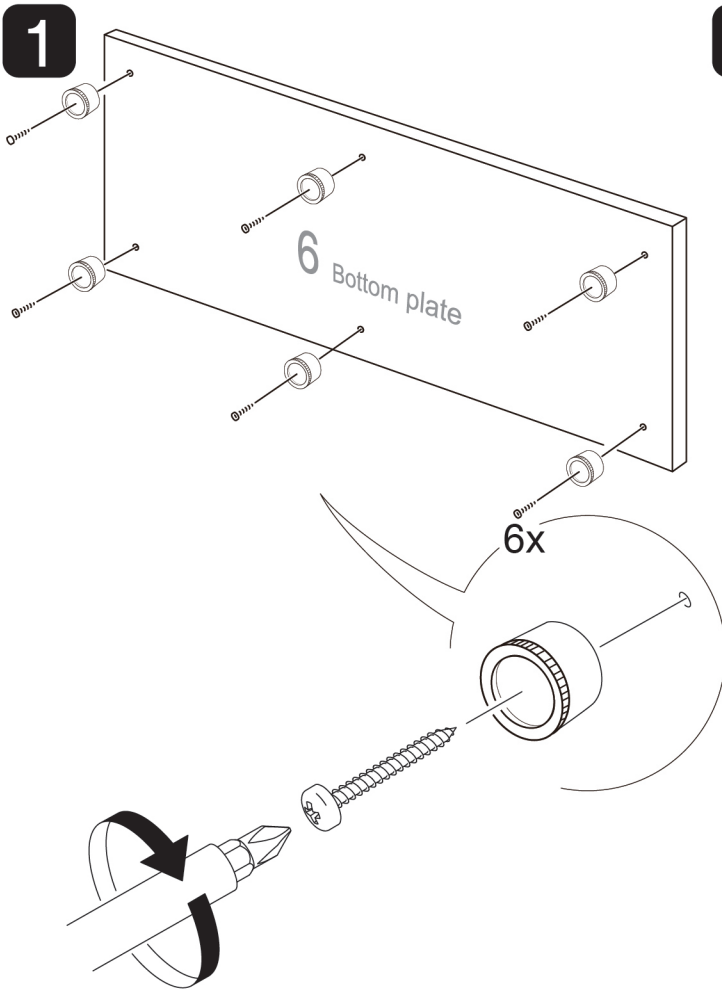
Door stopper /x2

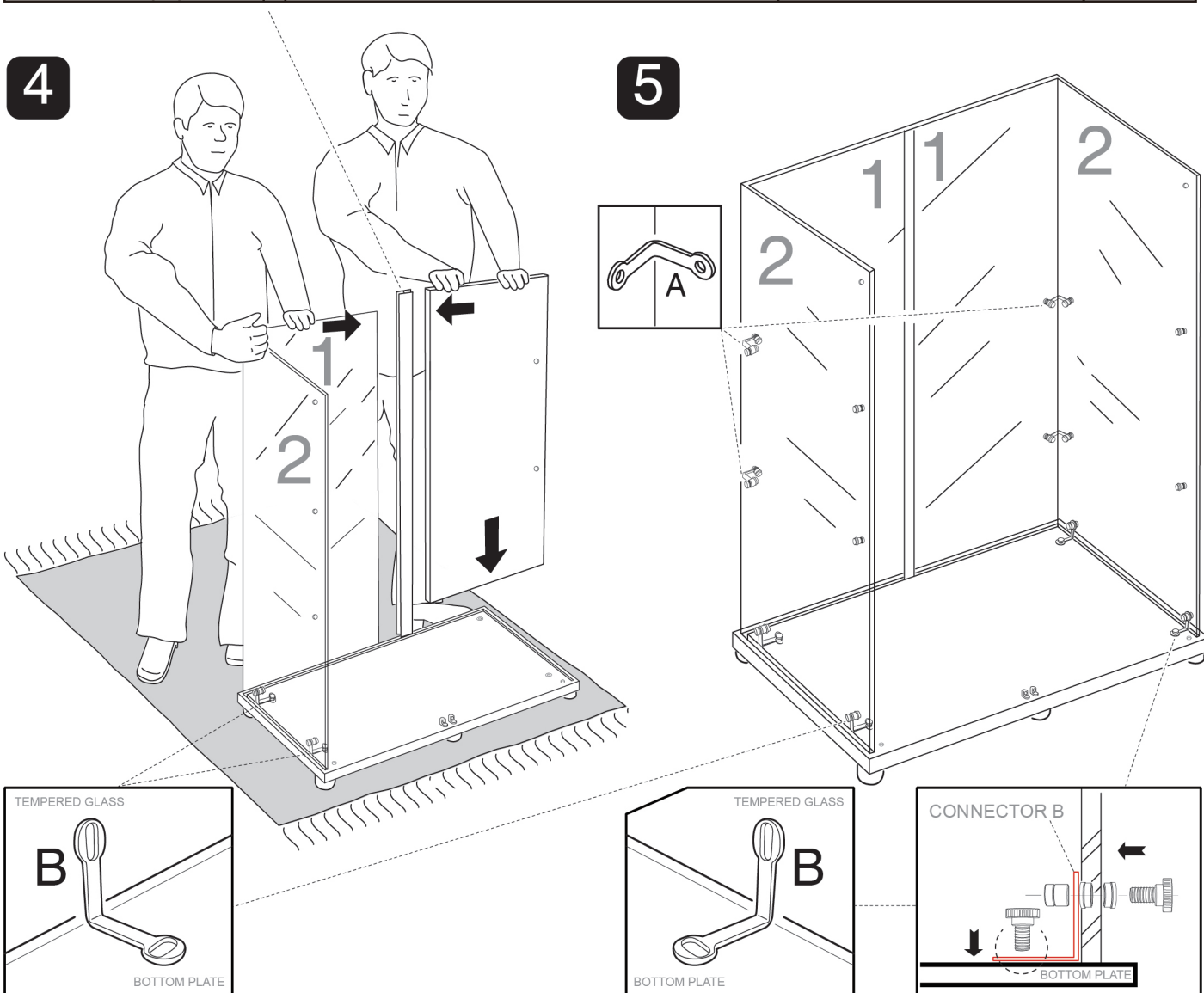
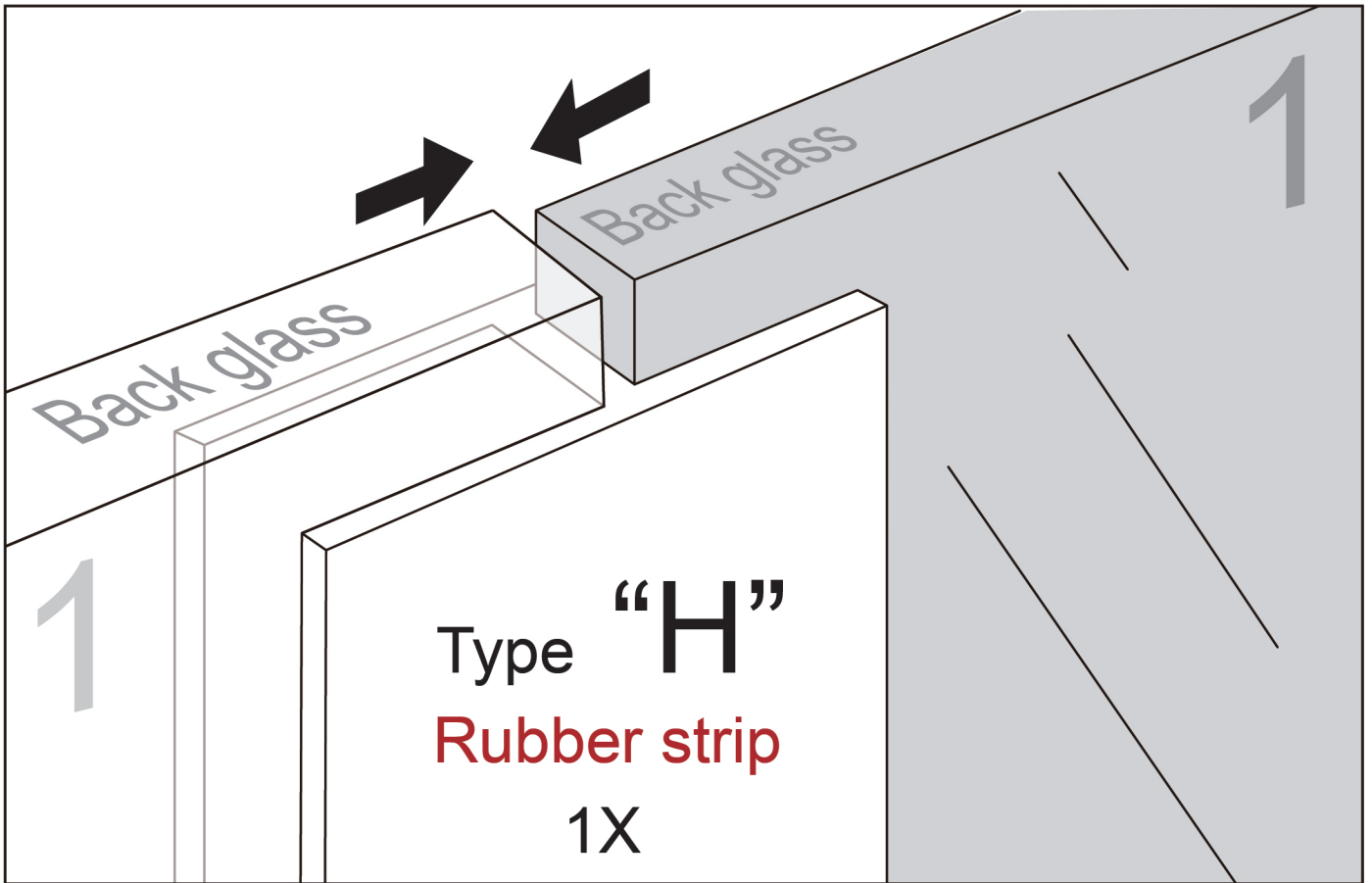
PRODUCT COMPONENT LIST

NO	ASSEMBLY	SIZE	NUMBER	TEXTURE OF MATERIAL
1	Back glass	1185*387mm(δ4mm)	2	Tempered glass
2	Side glass	1185*345mm(δ4mm)	2	
3	Door glass	1165*387mm(δ5mm)	2	
4	Shelf glass	777*315mm(δ5mm)	2	
5	Top plate	805*365mm(δ25mm)	1	MFC/PVC edge banding
6	bottom plate	805*365mm(δ25mm)	1	MFC/PVC edge banding
7	Rubber strip		1	Polyvinyl chloride / Type "H"
8	Accessory Package	Various specifications	X	Various materials
9				

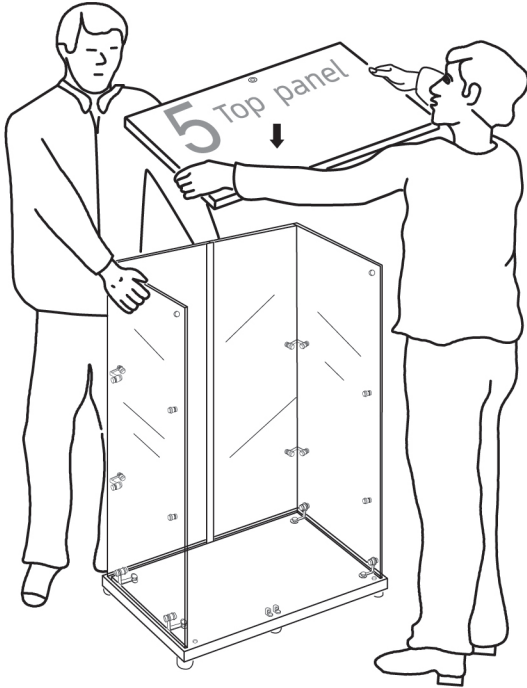
! Product dimensions may have an error with 10mm due to the usage of different measuring tools or methods.



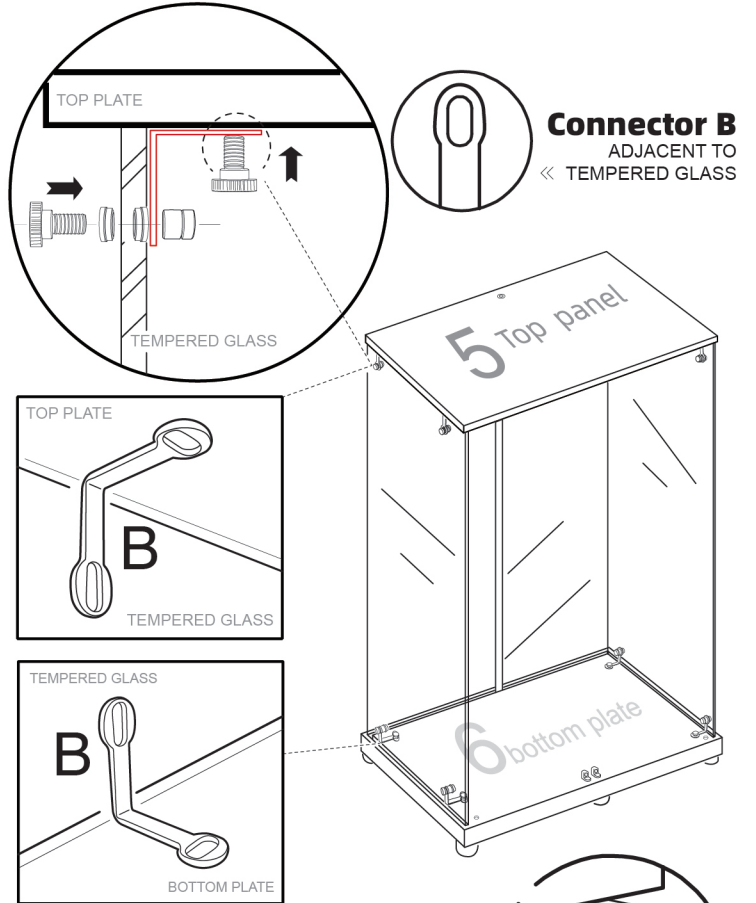




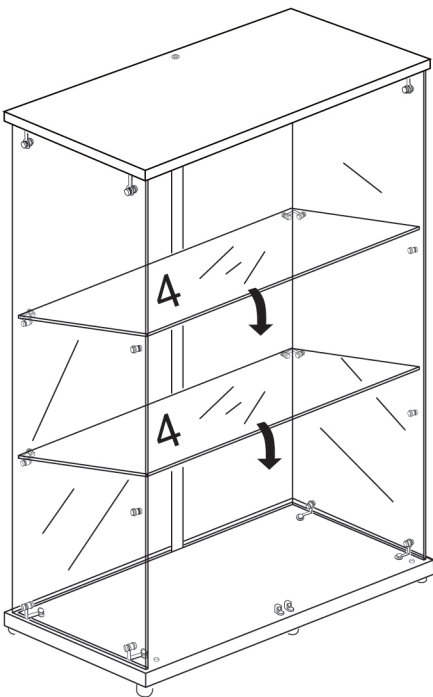
6



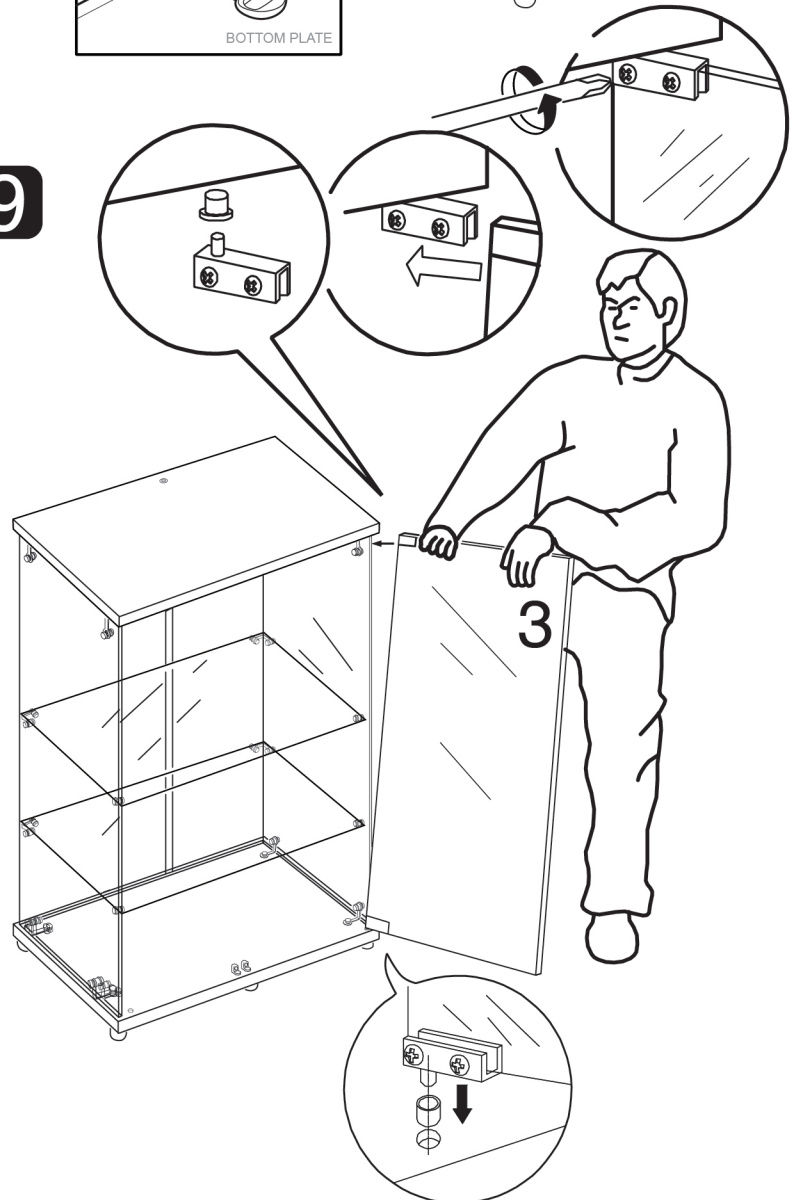
7



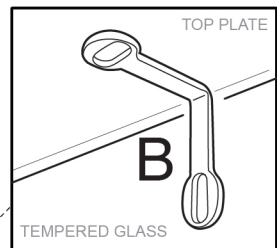
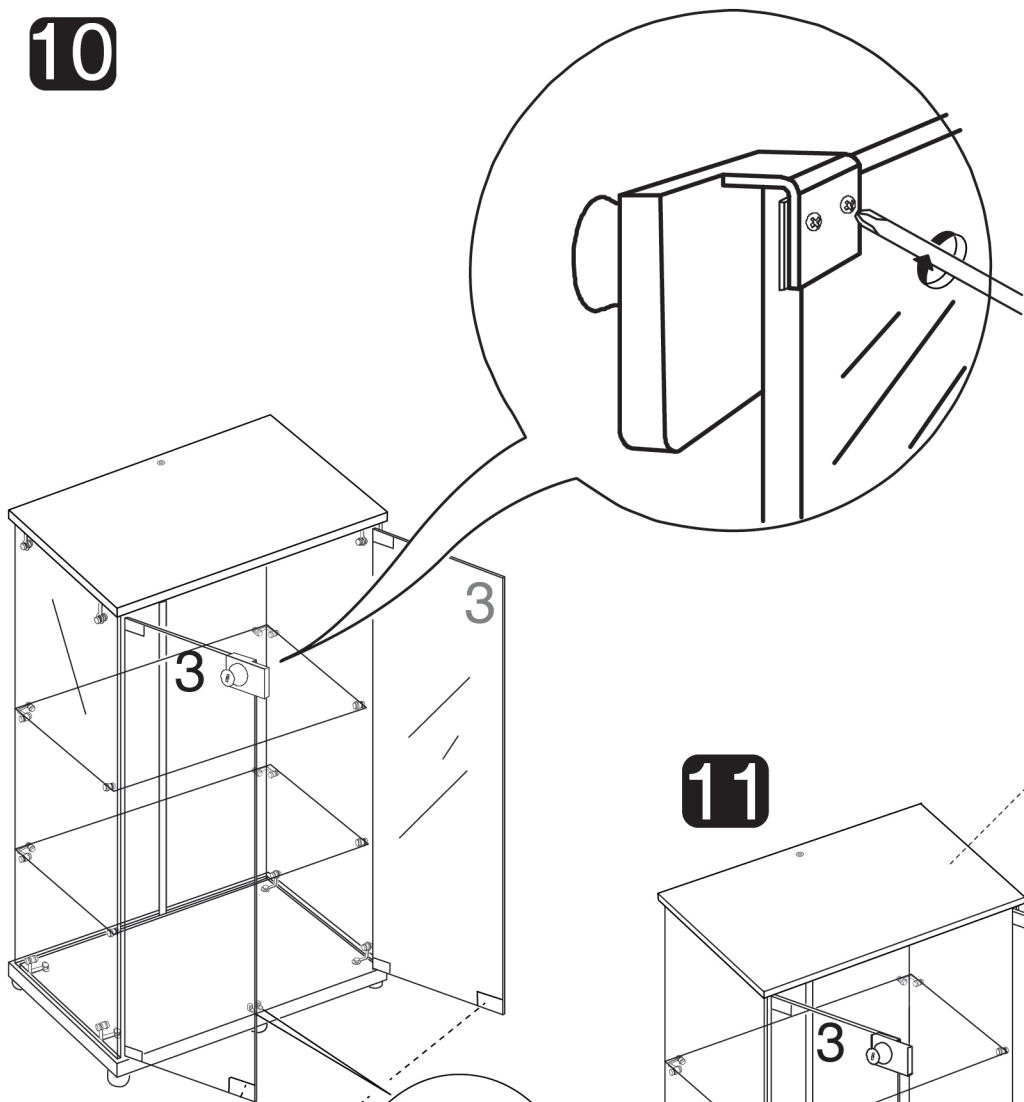
8



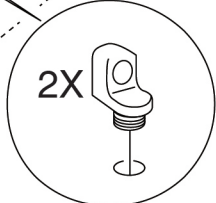
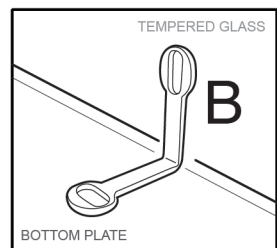
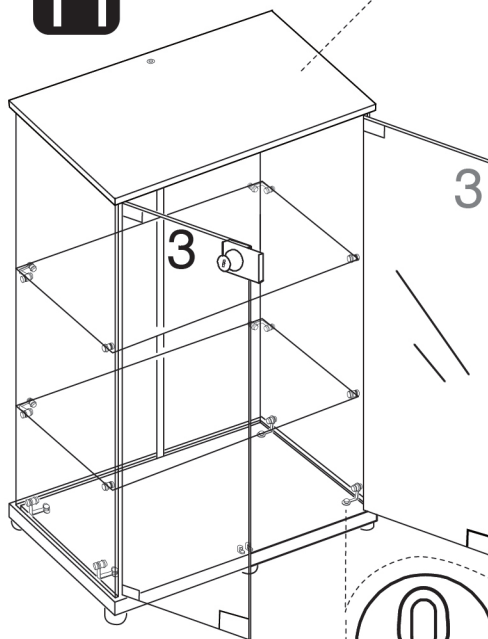
9



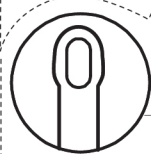
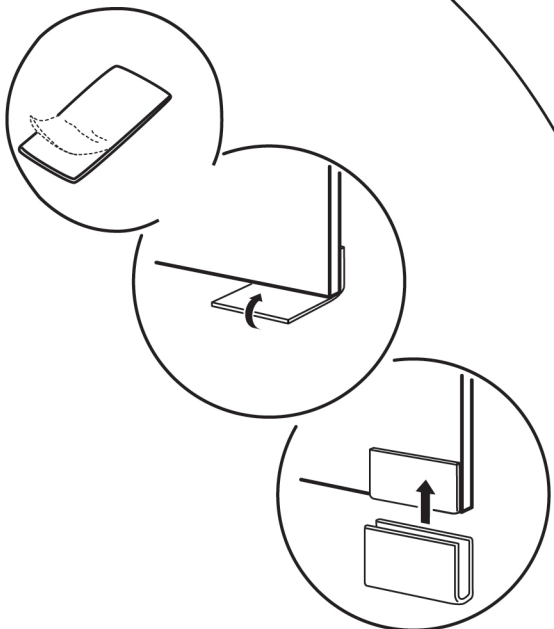
10



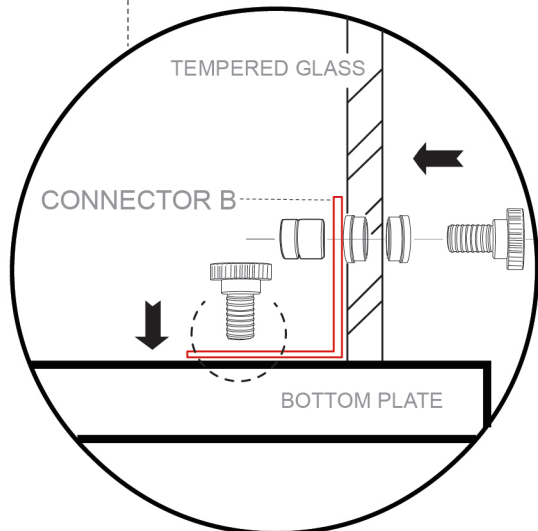
11



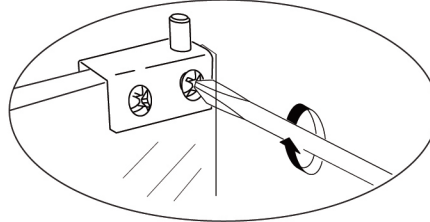
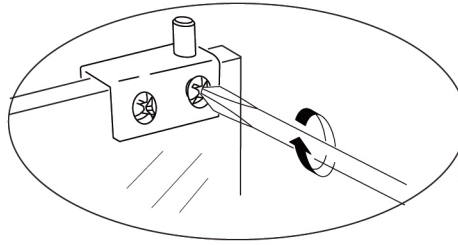
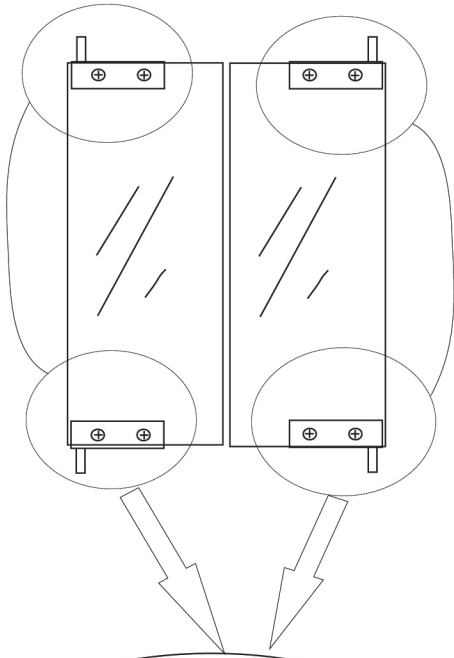
1x



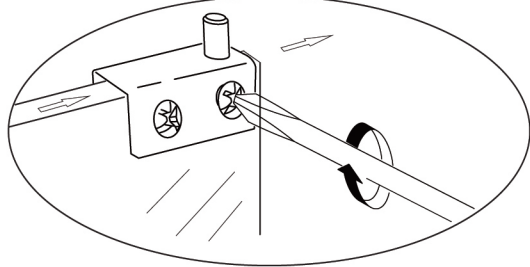
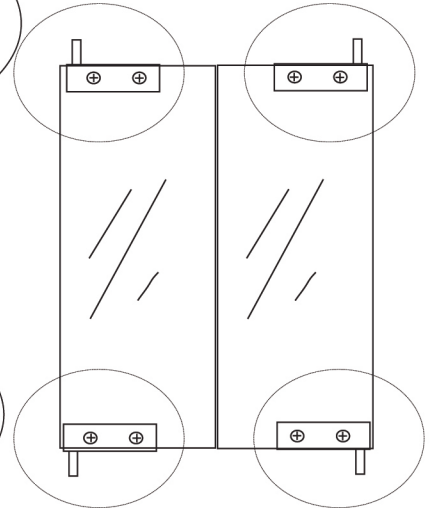
Connector B
 ADJACENT TO
 TEMPERED GLASS



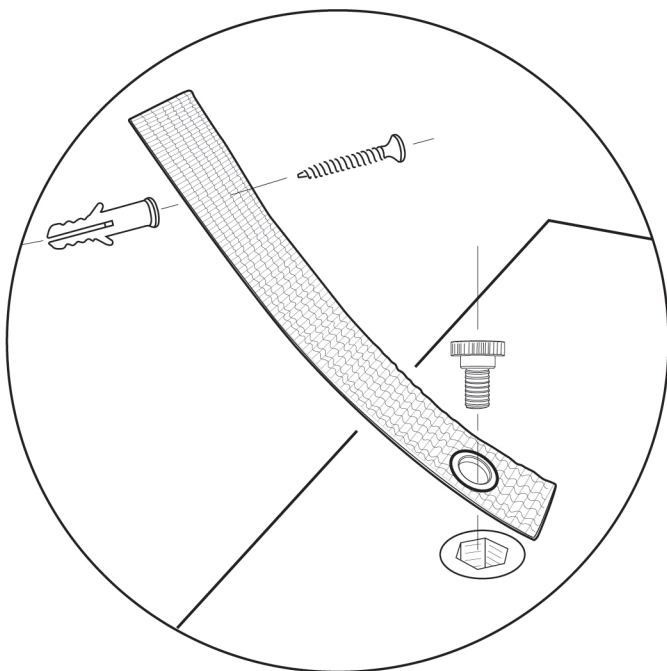
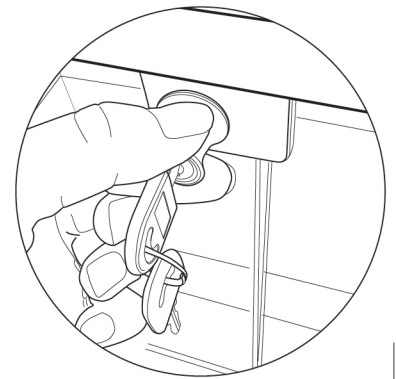
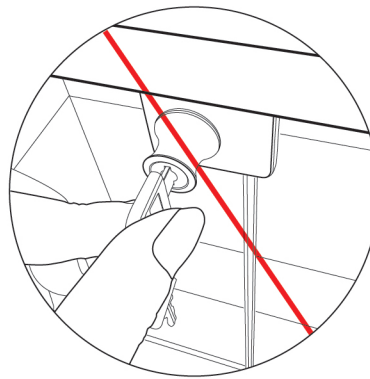
Not good



Good



OPEN OR CLOSE THE DOOR



ANTI-TIPPING DEVICE

