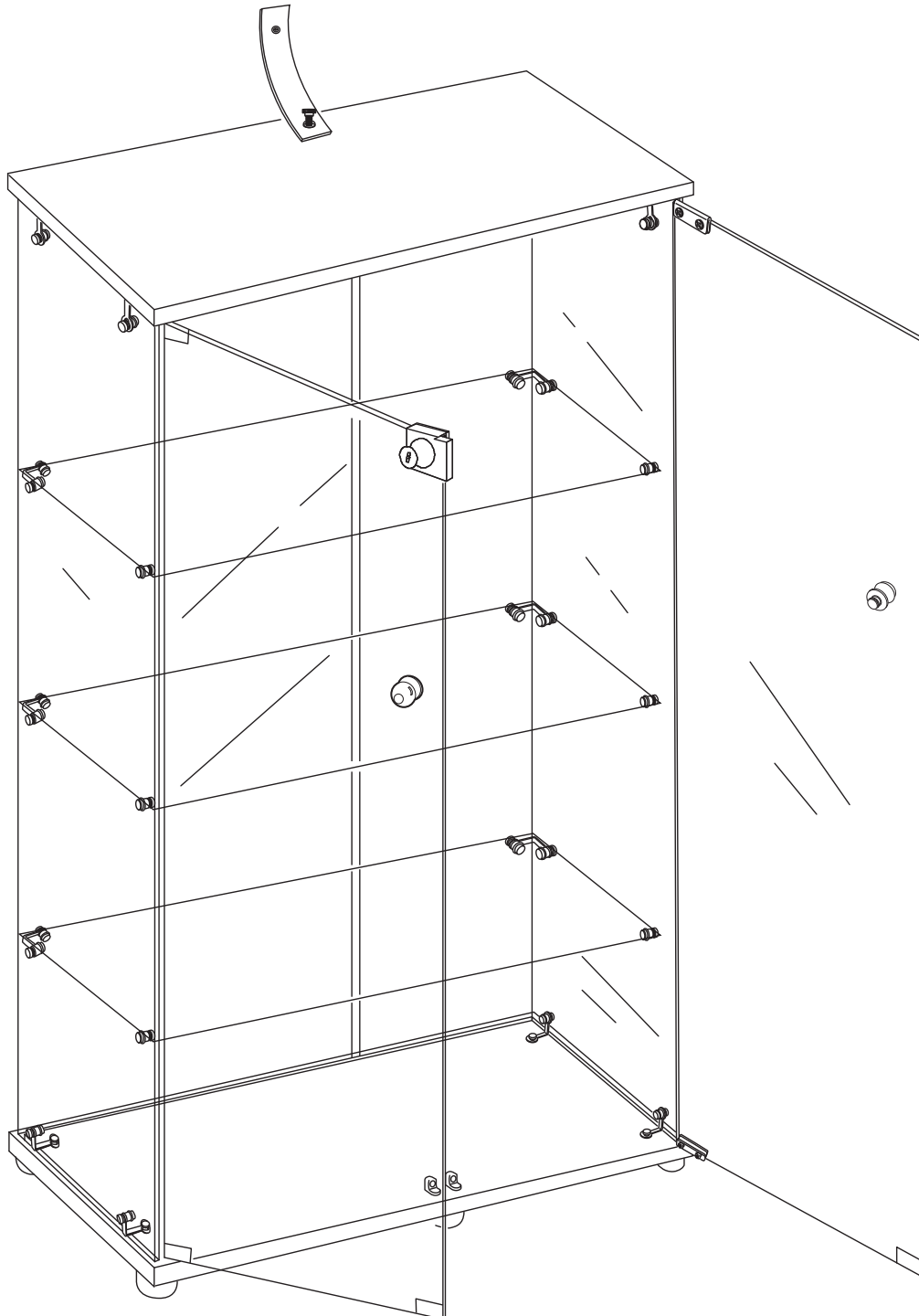


# DOUBLE DOOR " TRANSPARENT " CABINET TEMPERED GLASS

• WINE CABINET / DISPLAY CABINET •



# ENGLISH

## GOOD TO KNOW ABOUT TEMPERED GLASS

IMPORTANT :

HANDLE WITH CARE! A DAMAGED EDGE OR SCRATCHED SURFACE CAN IN EXCEPTIONAL CASES CAUSE THE GLASS TO CRACK SUDDENLY. HOWEVER, NEVER INTO SHARP FRAGMENTS, ONLY INTO SMALL PIECES. AVOID COLLISIONS FROM THE SIDE – THIS IS THE MOST FRAGILE PART OF THE GLASS.

## WARNING

**FURNITURE TIPPING-OVER COULD RESULT IN INJURY OR DEATH TO THE INSTALLER.**

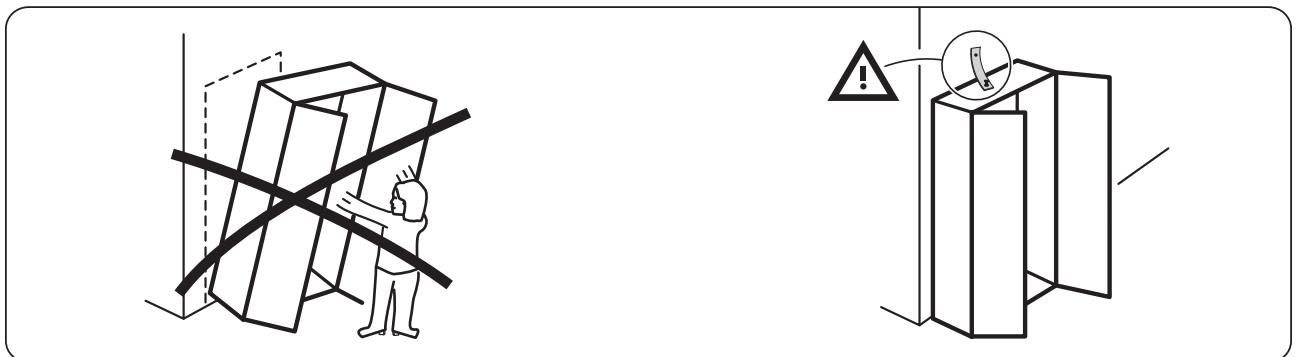
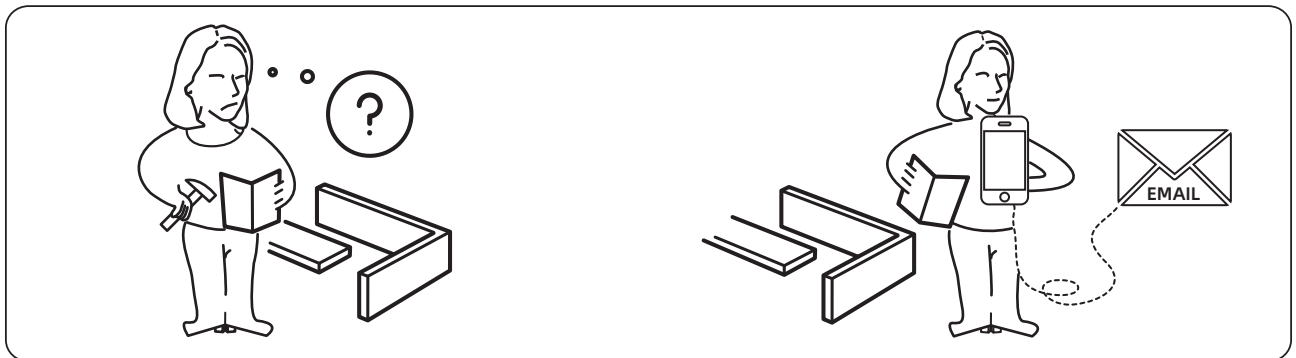
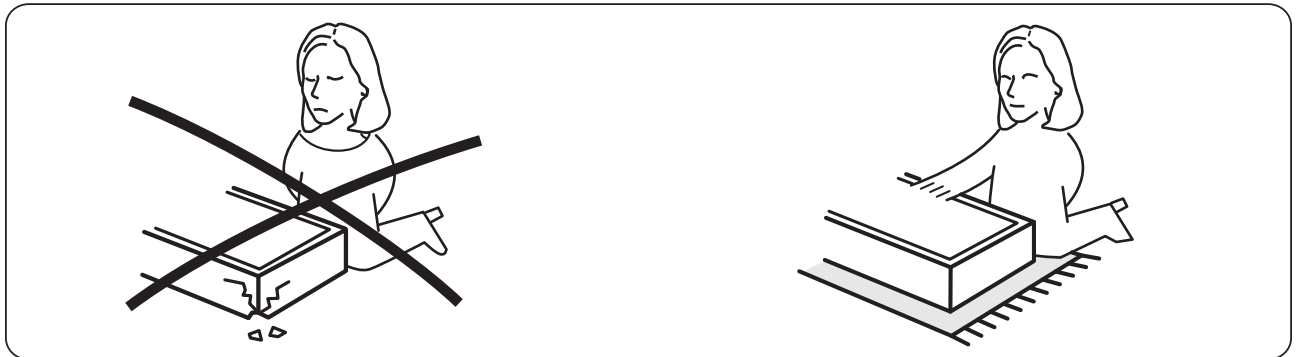
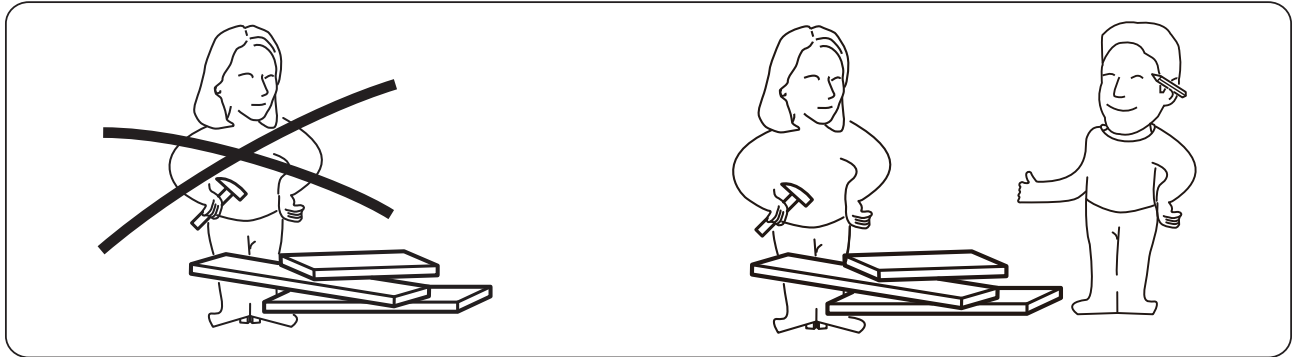
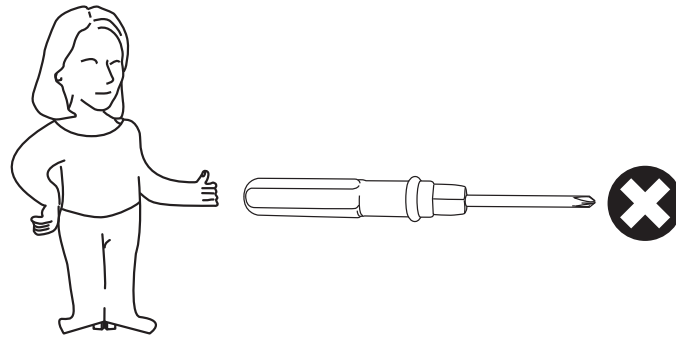
**ALWAYS SECURE THIS PRODUCT PERMANENTLY TO THE WALL.**



**The only wall mount included in the package is suitable for wooden walls or other solid walls.**

**For wooden walls, please only use the screws, the included plastic screw accessory is only an option. For hard walls, please drill holes with a hammer and then insert the screws and plastic accessories. The included wall mount is not suitable for walls with weak holding force, such as plasterboard. To attach this product to the plasterboard, please make sure the screws are securely fastened to the keel. Please choose the proper safety devices according to the type of wall in your house.**

1. Tempered glass has a 0.3% risk of self-explosion. In case of such an accident, please contact us and we will replace the damaged glass. During installation, please wear gloves, long-sleeved shirts, pants and socks to avoid possible injury.
2. To avoid possible accidents, please keep children away during installation. Please make sure that the installation is done by two adults.
3. During installation, use cardboard or carpet as a buffer layer to prevent the glass corner from colliding with hard objects such as the floor. Especially when installing tempered glass, make sure the corners do not hit the floor to prevent the tempered glass from exploding due to force changes.
4. When installing a display case, install the anti-tilt device first to avoid possible serious or fatal injury. To prevent possible tipping over, the display case must be permanently attached to the wall. Wall mounting is not limited to the fixtures we offer. You are free to install similar fixtures to avoid possible hazards.
5. DO NOT operate the cabinet door frequently, and DO NOT shake the cabinet to avoid the risk of colliding with the cabinet door or dropping objects. Again, install an anti-tipping device and keep children away (at least 2 meters/6.6 feet away) from this display case. Please also install a door lock to avoid possible injury from accidental operation by children.
6. The top/bottom panel of this cabinet is made of MFC/PVC-covered particle board, which is not fireproof.
7. For disposal, please contact the relevant local authorities or qualified companies.
8. The product is a partially transparent tempered glass display case, it is not fully transparent. After installation, the distance may be different due to the different fixing forces.
9. No part of this product can be swallowed, played with, or used for other purposes.
10. Please adjust the footrest on the product after installation. The maximum load of the glass plate is 5.00 kg/11.00 lbs. Note that the load capacity is for stored items only.
11. Product dimensions may have a tolerance of 10 mm/0.4 inch due to different measuring tools or methods.
12. After installing the cabinet, check and tighten all screws to avoid potential safety hazards, such as shelves falling and cabinet structures becoming loose due to loose screws.

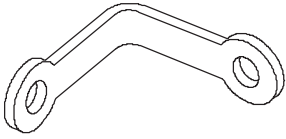
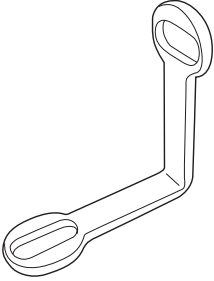
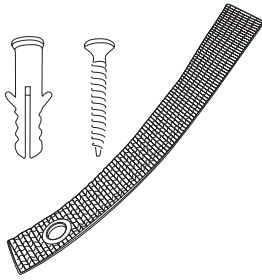
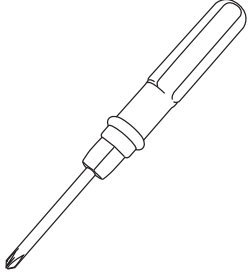
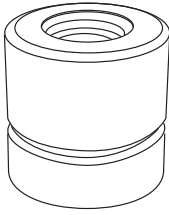
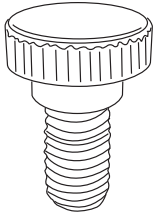
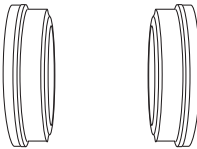
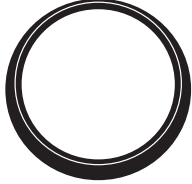
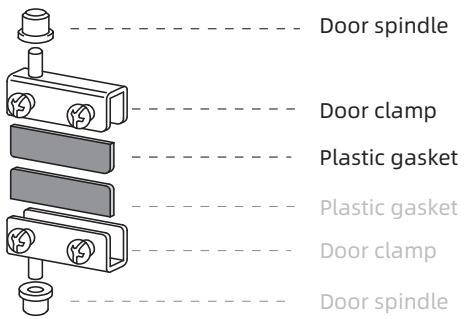
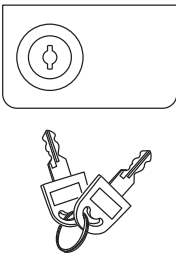
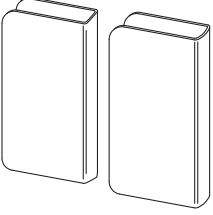

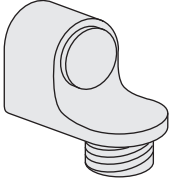
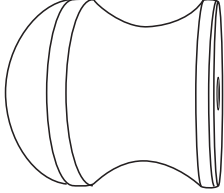
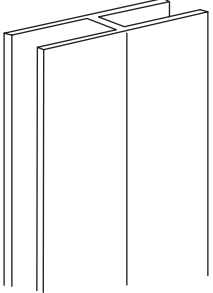


# PRODUCT COMPONENT LIST

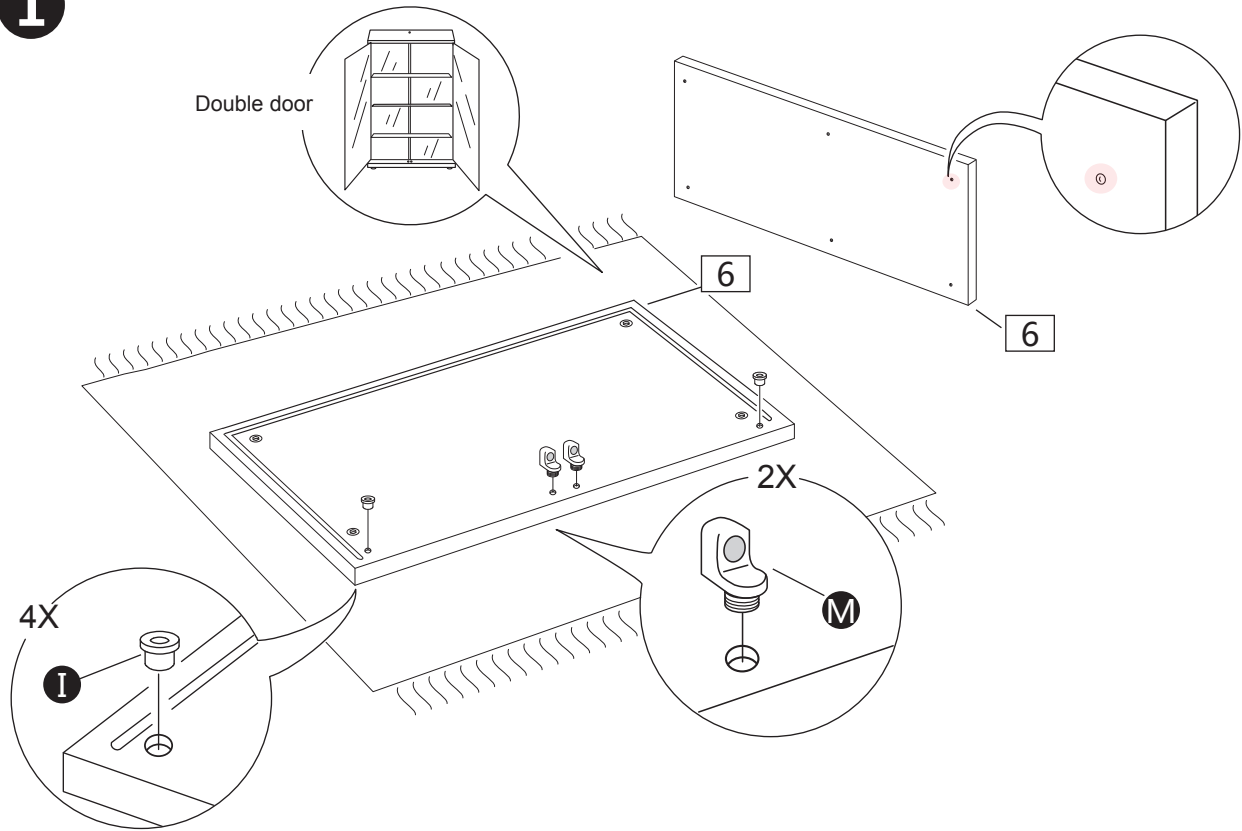
NO	ASSEMBLY	SIZE	NUMBER	TEXTURE OF MATERIAL
1	Back glass	1576*387mm(δ4mm)	2	Tempered glass
2	Side glass	1576*345mm(δ4mm)	2	
3	Door glass	1556*387mm(δ5mm)	2	
4	Shelf glass	775*315mm(δ5mm)	3	
5	Top plate	805*365mm(δ25mm)	1	MFC/PVC edge banding
6	bottom plate	805*365mm(δ25mm)	1	MFC/PVC edge banding
7	Rubber strip		1	Polyvinyl chloride / Type "H"
8	Accessory Package	Various specifications	X	Various materials

Product dimensions may have an error with 10mm due to the usage of different measuring tools or methods.

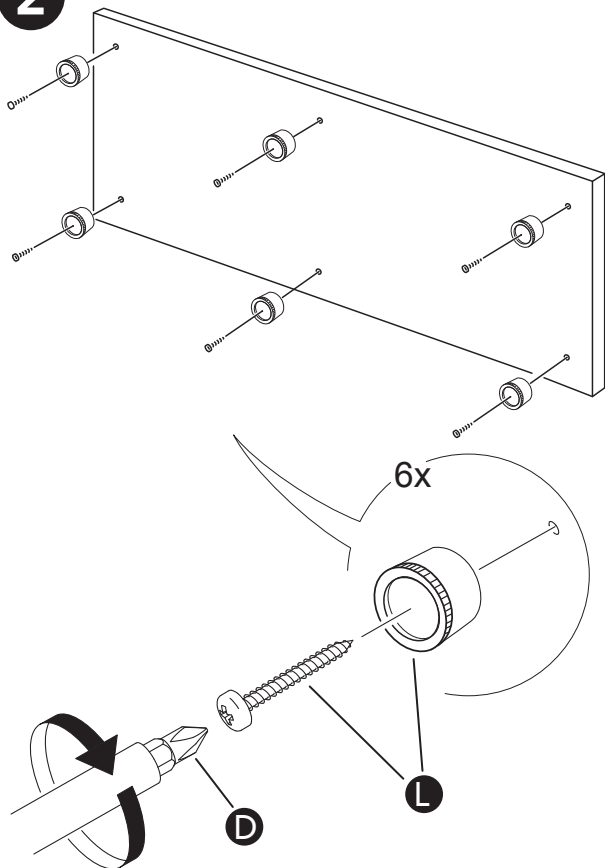
1		2		3		4	
	1576*387*4 mm		1576*345*4 mm		1556*387*5 mm		775*315*5mm
	Back glass / X2		Side glass / X2		Door glass / X2		Shelf glass / X3
5		6		<p><b>GOOD TO KNOW ABOUT TEMPERED GLASS</b></p> <p>HANDLE WITH CARE! A DAMAGED EDGE OR SCRATCHED SURFACE CAN IN EXCEPTIONAL CASES CAUSE THE GLASS TO CRACK SUDDENLY. HOWEVER, NEVER INTO SHARP FRAGMENTS, ONLY INTO SMALL PIECES. AVOID COLLISIONS FROM THE SIDE - THIS IS WHERE THE GLASS IS MOST VULNERABLE.</p>			
	805*365*25mm		805*365*25mm				
	Top panel / X1		bottom panel / X1				

<p><b>A</b></p> 	<p><b>B</b></p> 	<p><b>C</b></p> 	<p><b>D</b></p> 
<p>ConnectorA / x6</p>	<p>ConnectorB / x8</p>	<p>Anti-tipping device / x1</p>	<p>Screwdriver / x1</p>
<p><b>E</b></p> 	<p><b>F</b></p> 	<p><b>G</b></p> 	<p><b>H</b></p> 
<p>Nut / x26</p>	<p>Screw / x37</p>	<p>Gasket(white) / x56</p>	<p>Washer(black) / x26</p>
<p><b>I</b></p>  <p>Door spindle</p> <p>Door clamp</p> <p>Plastic gasket</p> <p>Plastic gasket</p> <p>Door clamp</p> <p>Door spindle</p>		<p><b>J</b></p> 	<p><b>K</b></p> 
<p>Door clip set / x2</p>		<p>lock / x1</p>	<p>Horn guard / x2</p>
<p><b>L</b></p>  <p>Anchor screw</p>	<p><b>M</b></p> 	<p><b>N</b></p> 	<p><b>W</b></p> 
<p>Anchor / x6</p>	<p>Door stopper / x2</p>	<p>Door stopper / x2</p>	<p>Rubber strip / x1</p>

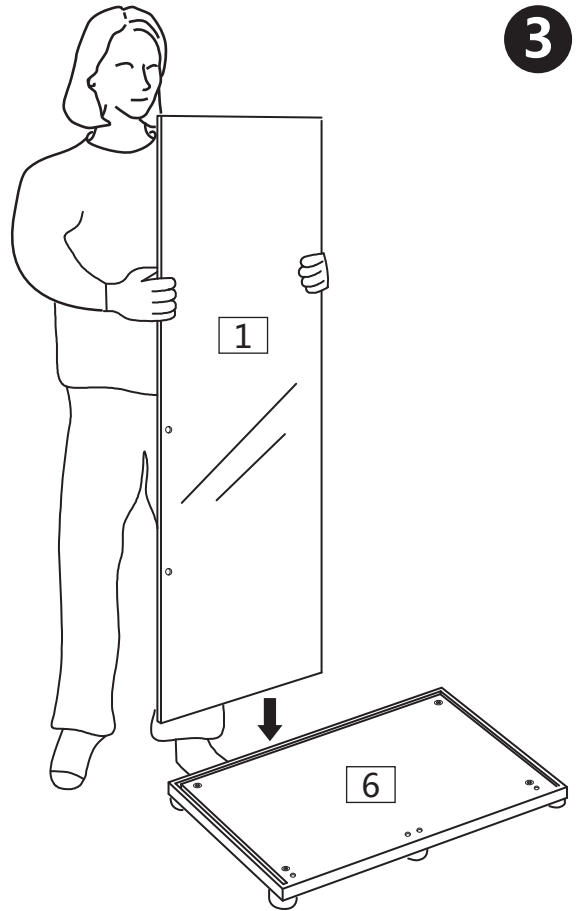
**1**



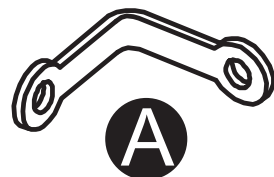
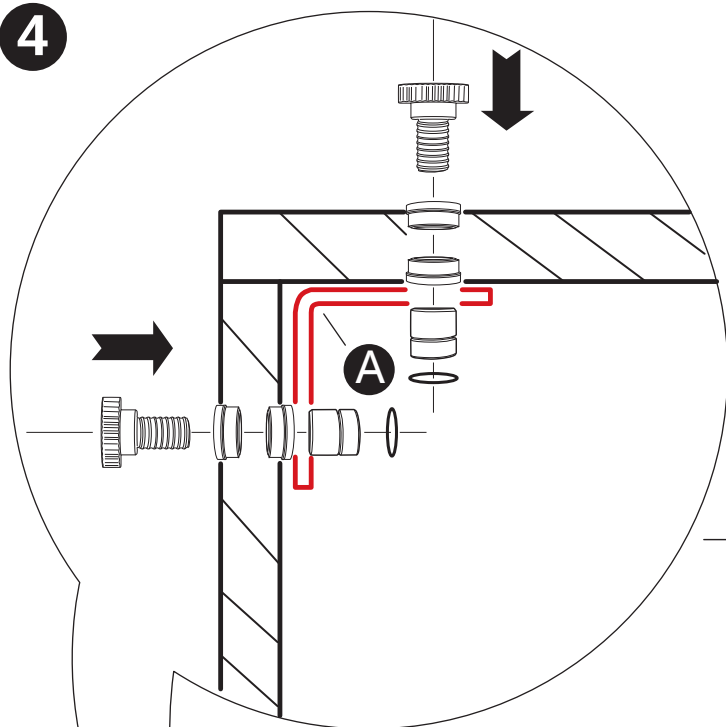
**2**



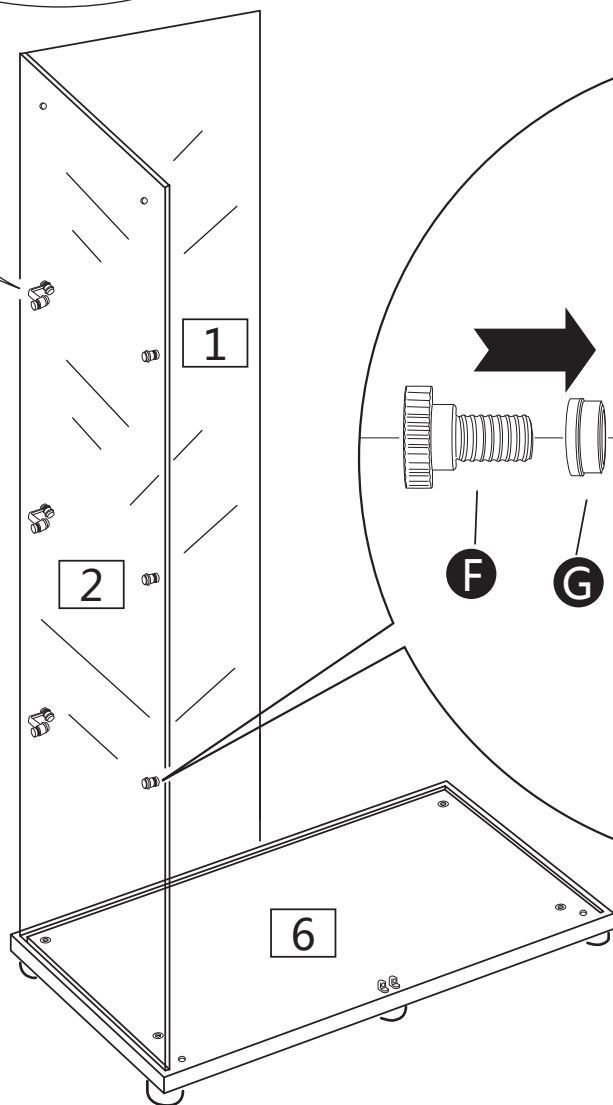
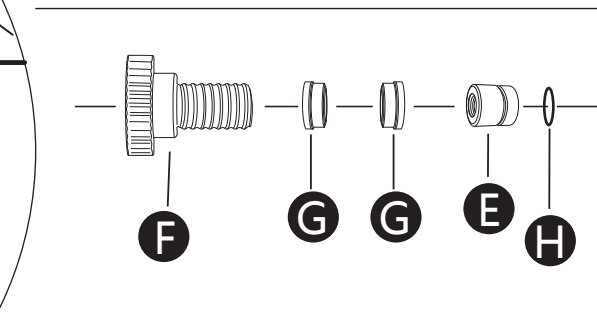
**3**



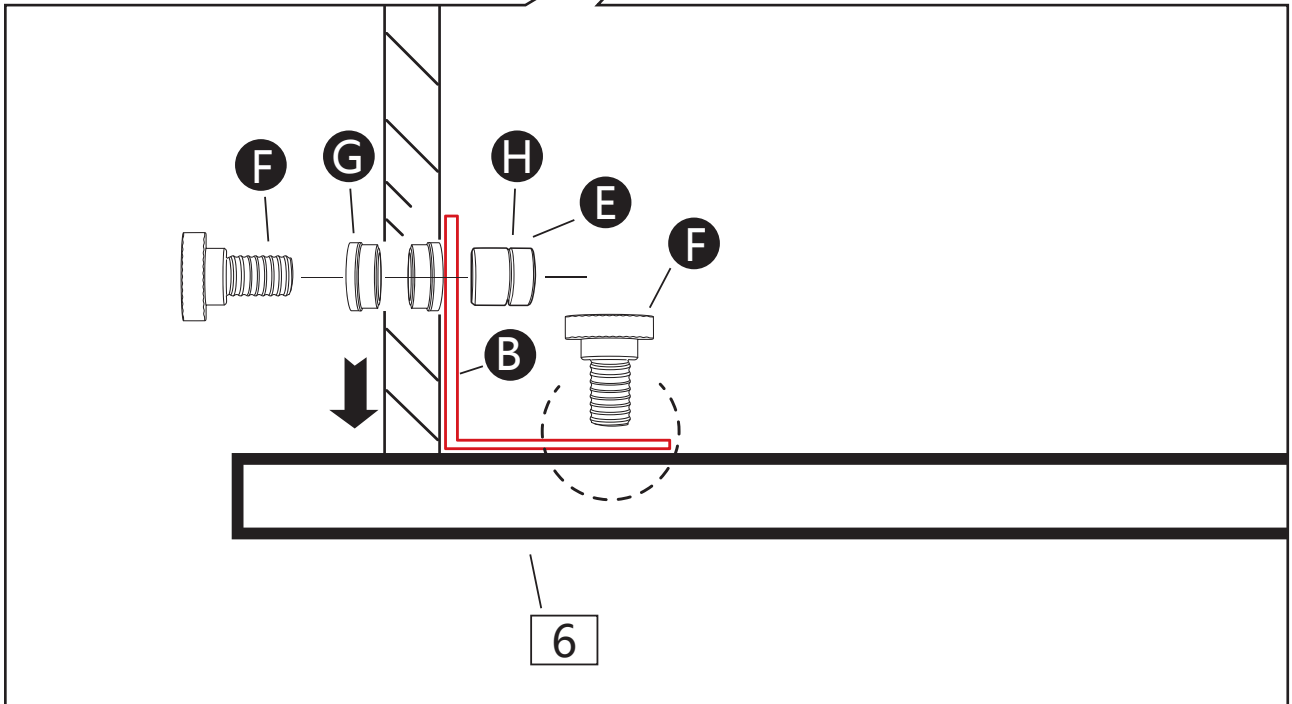
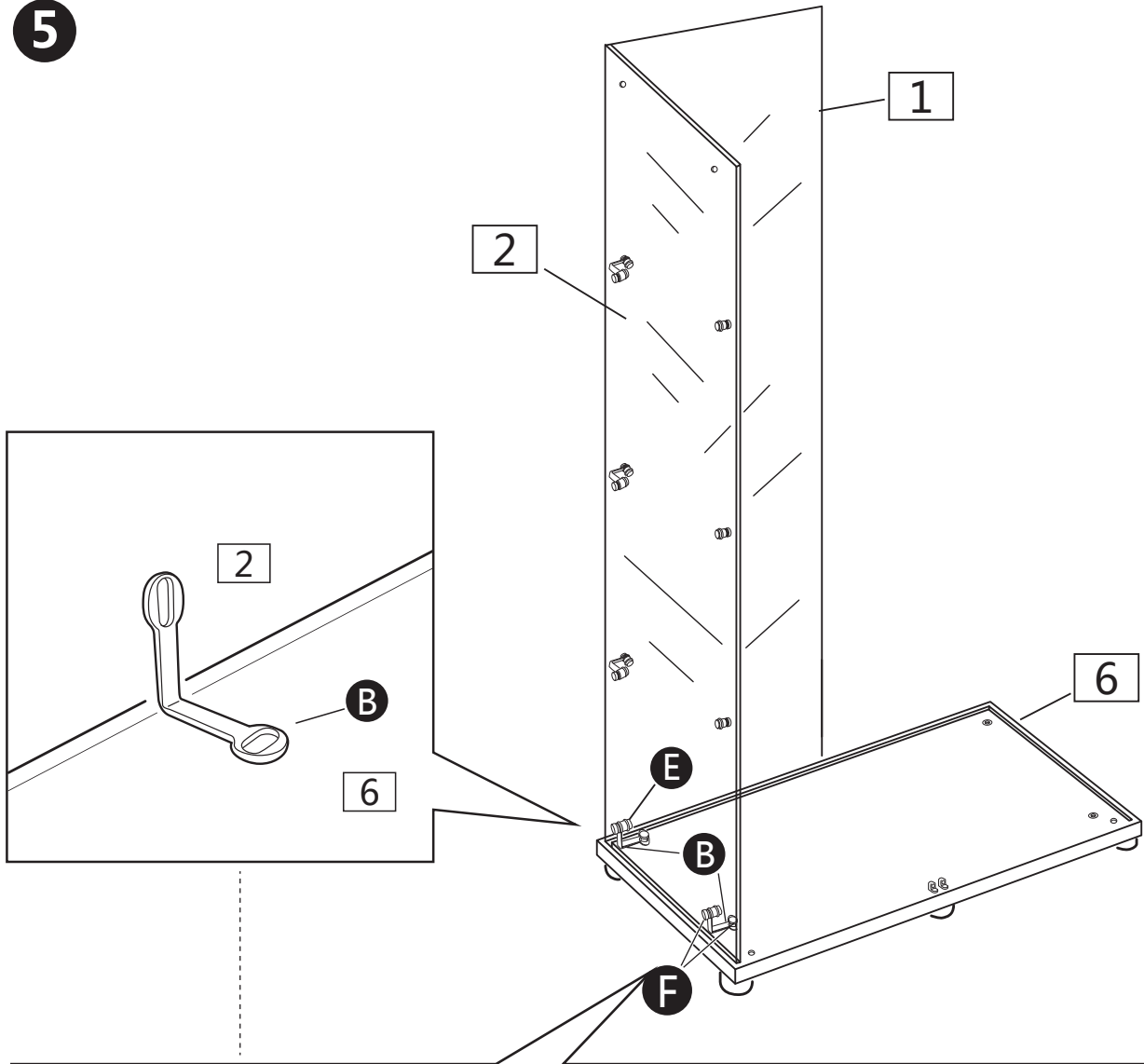
4



x6

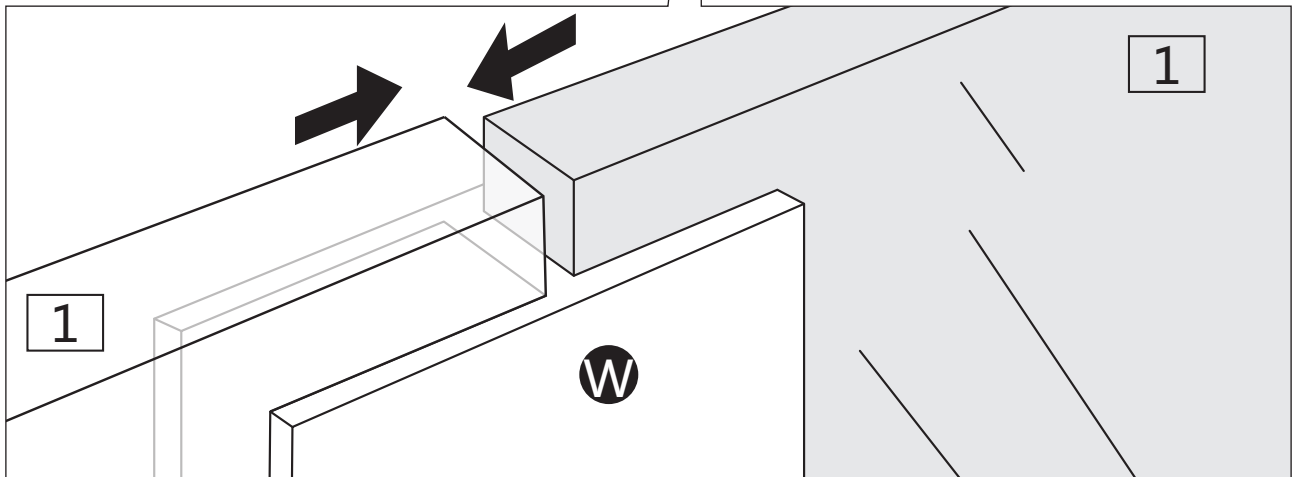
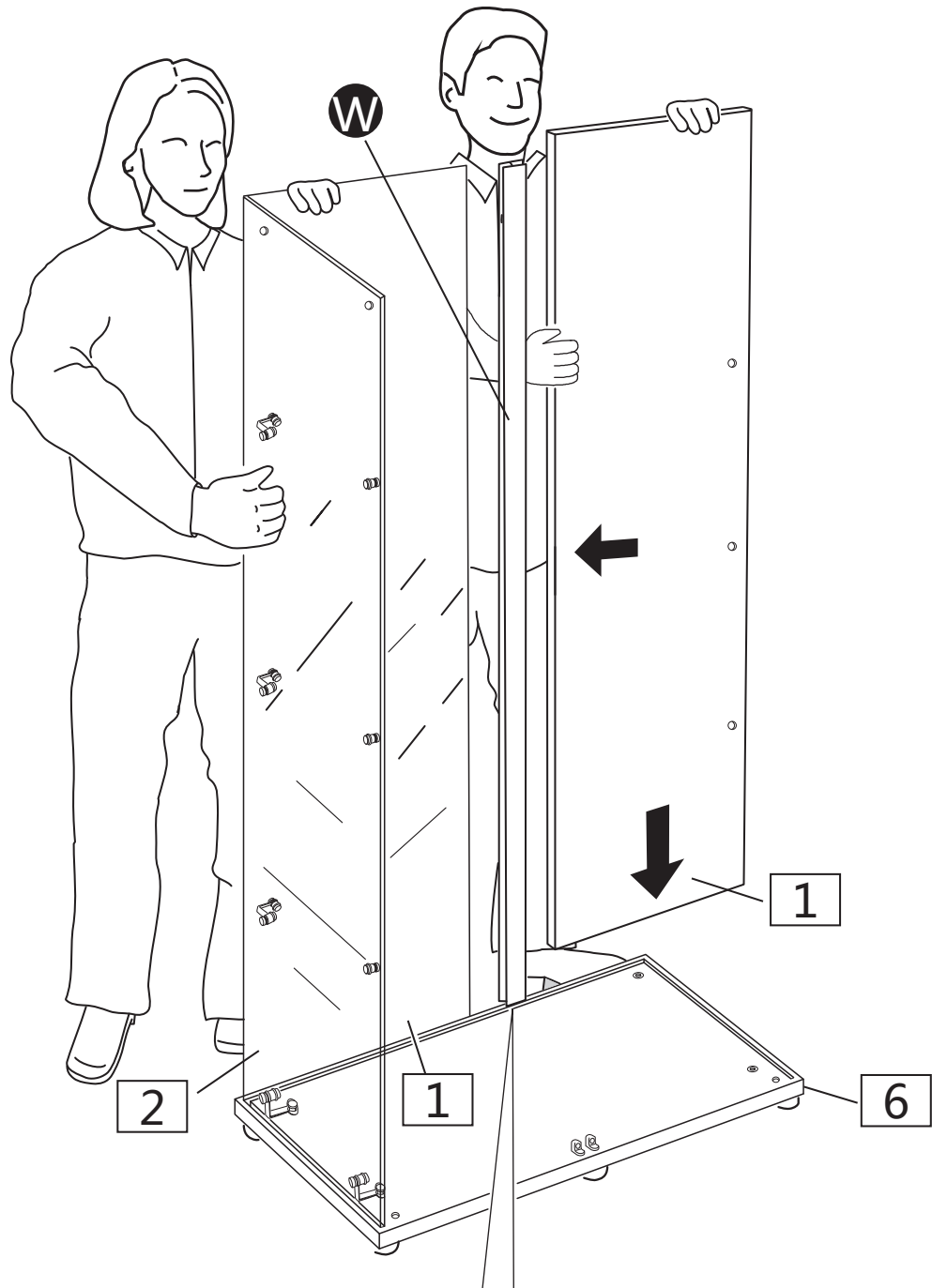


5

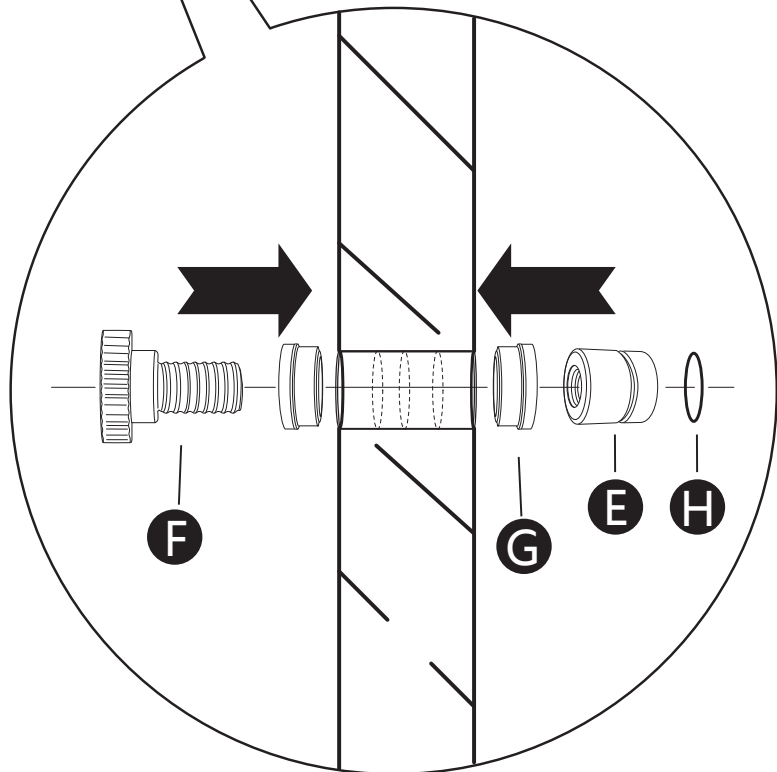
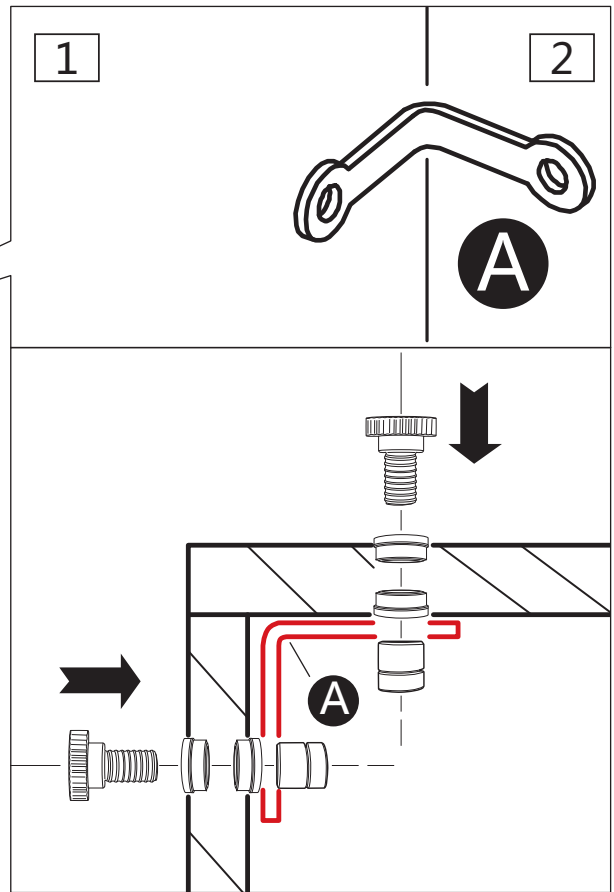
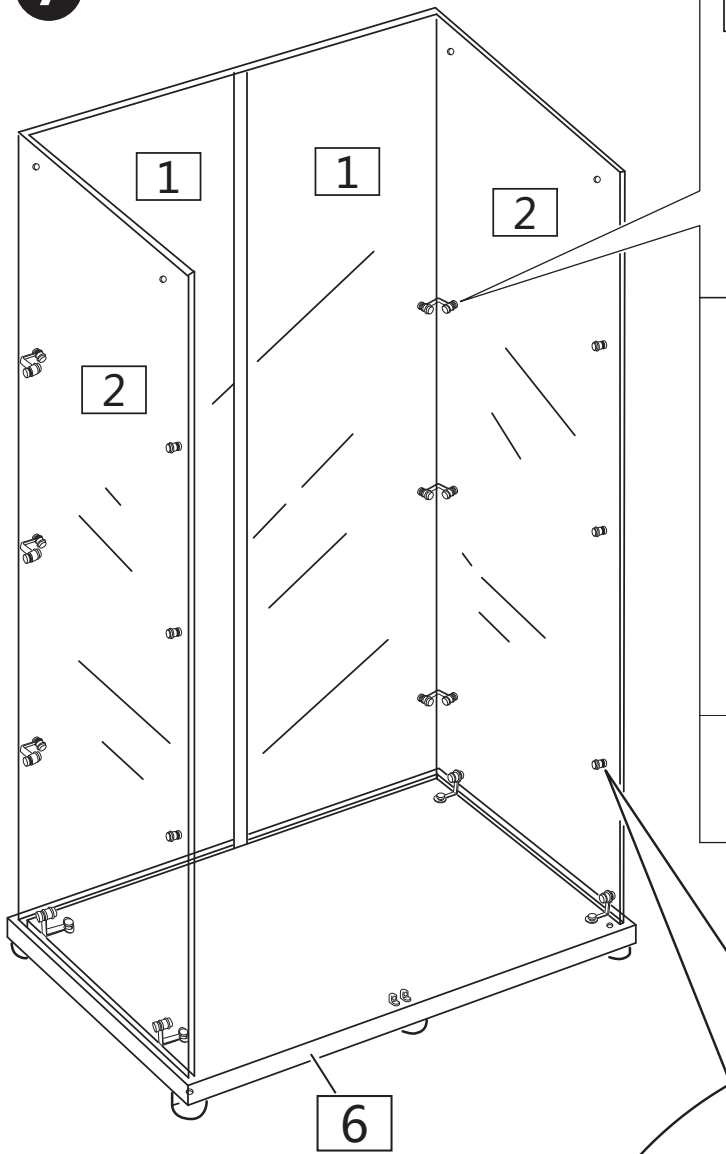


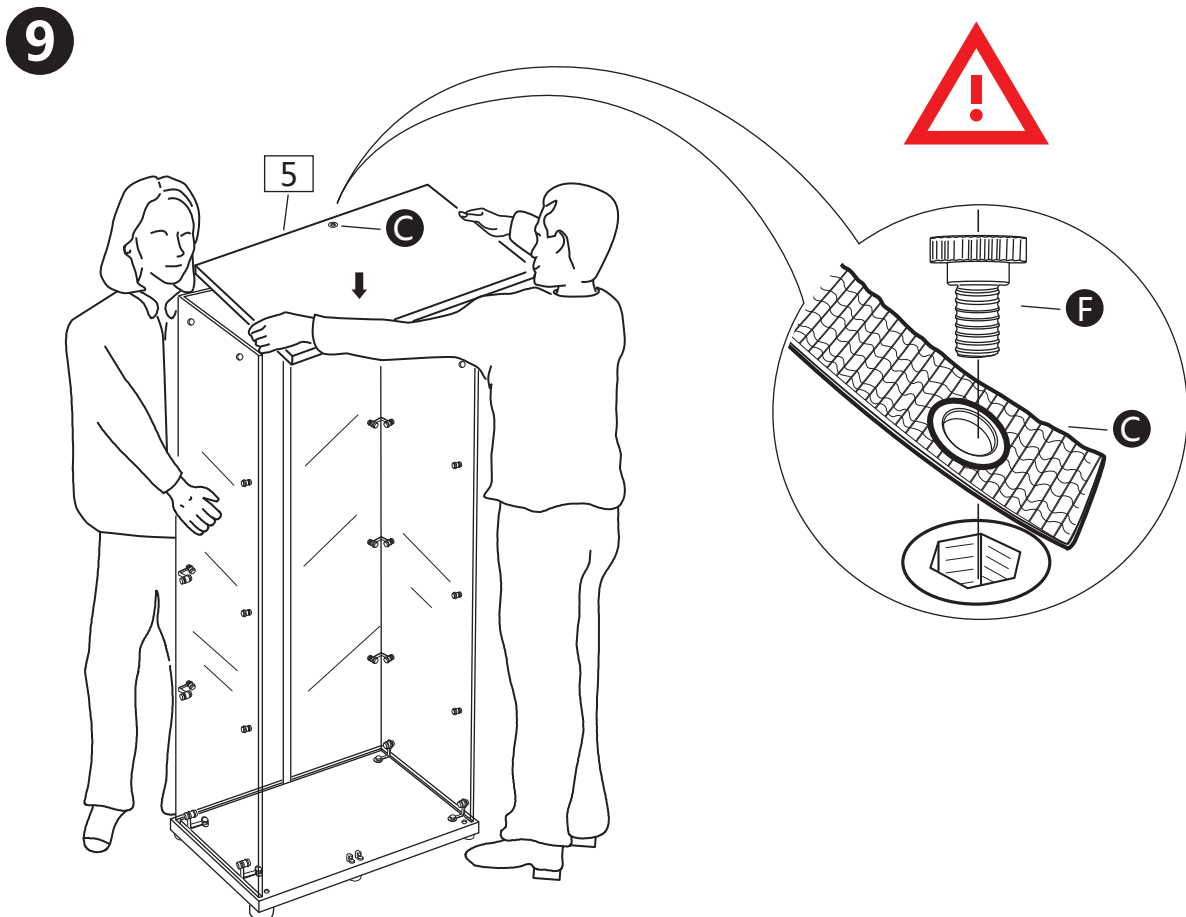
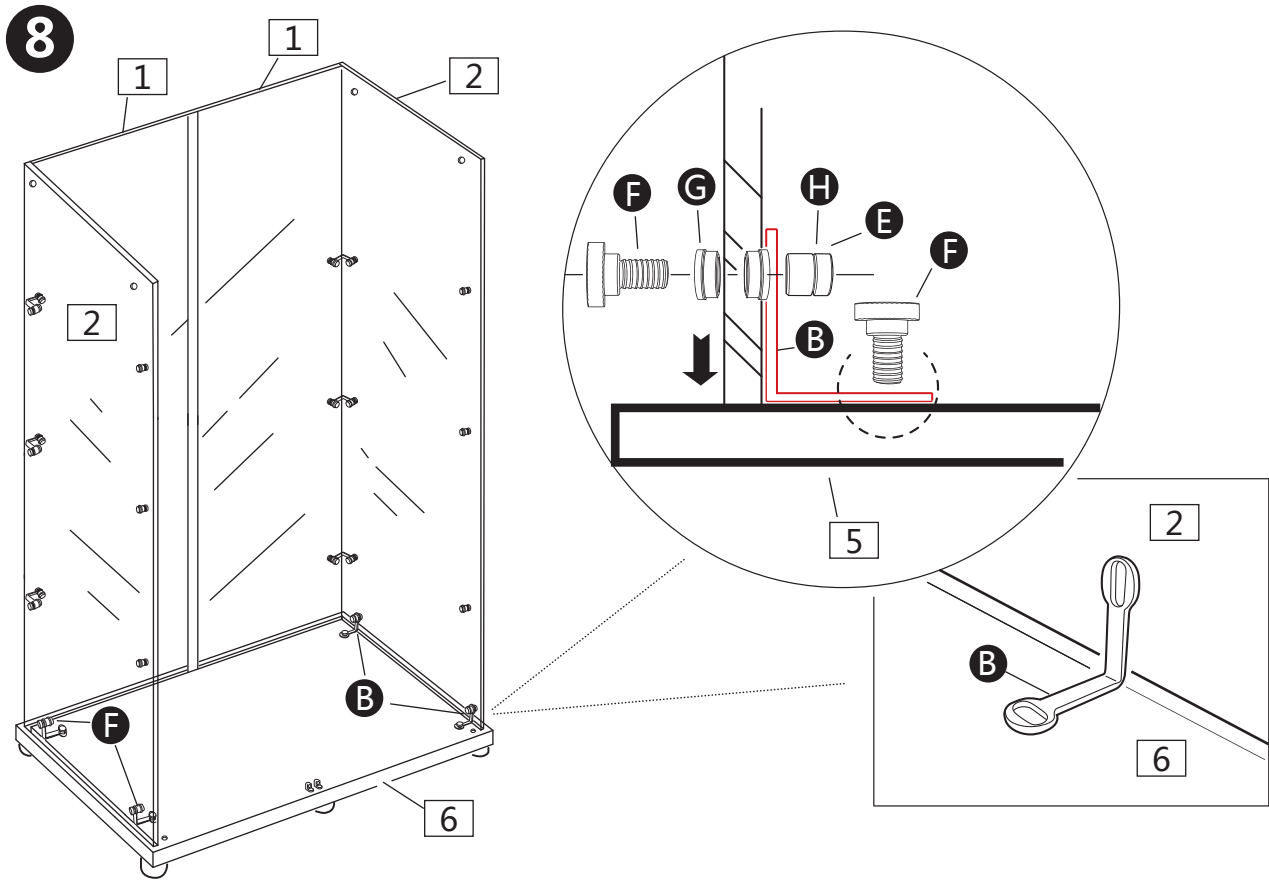


6

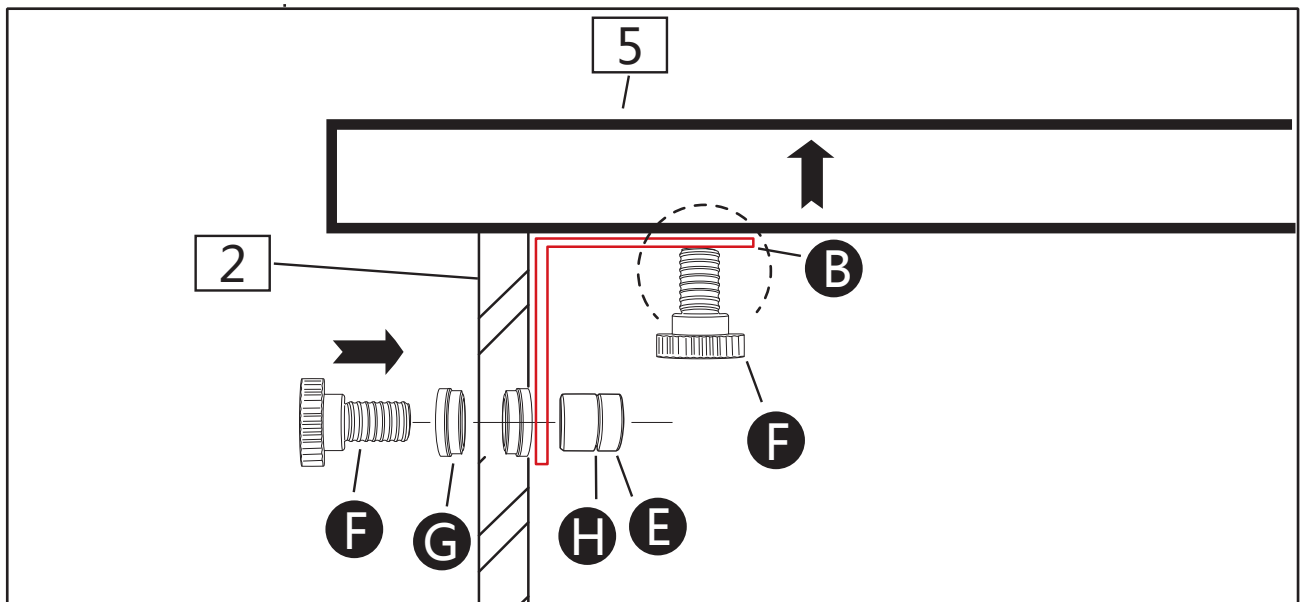
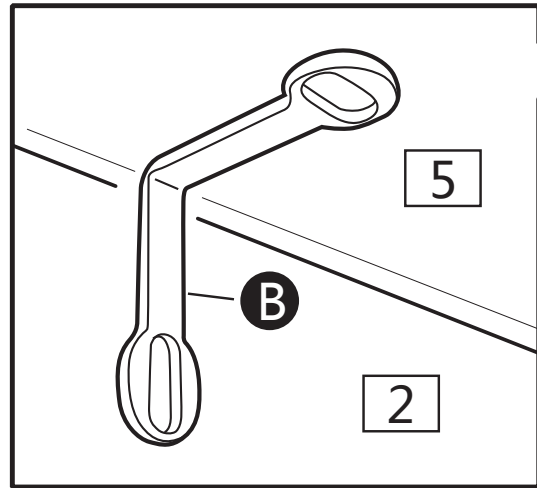
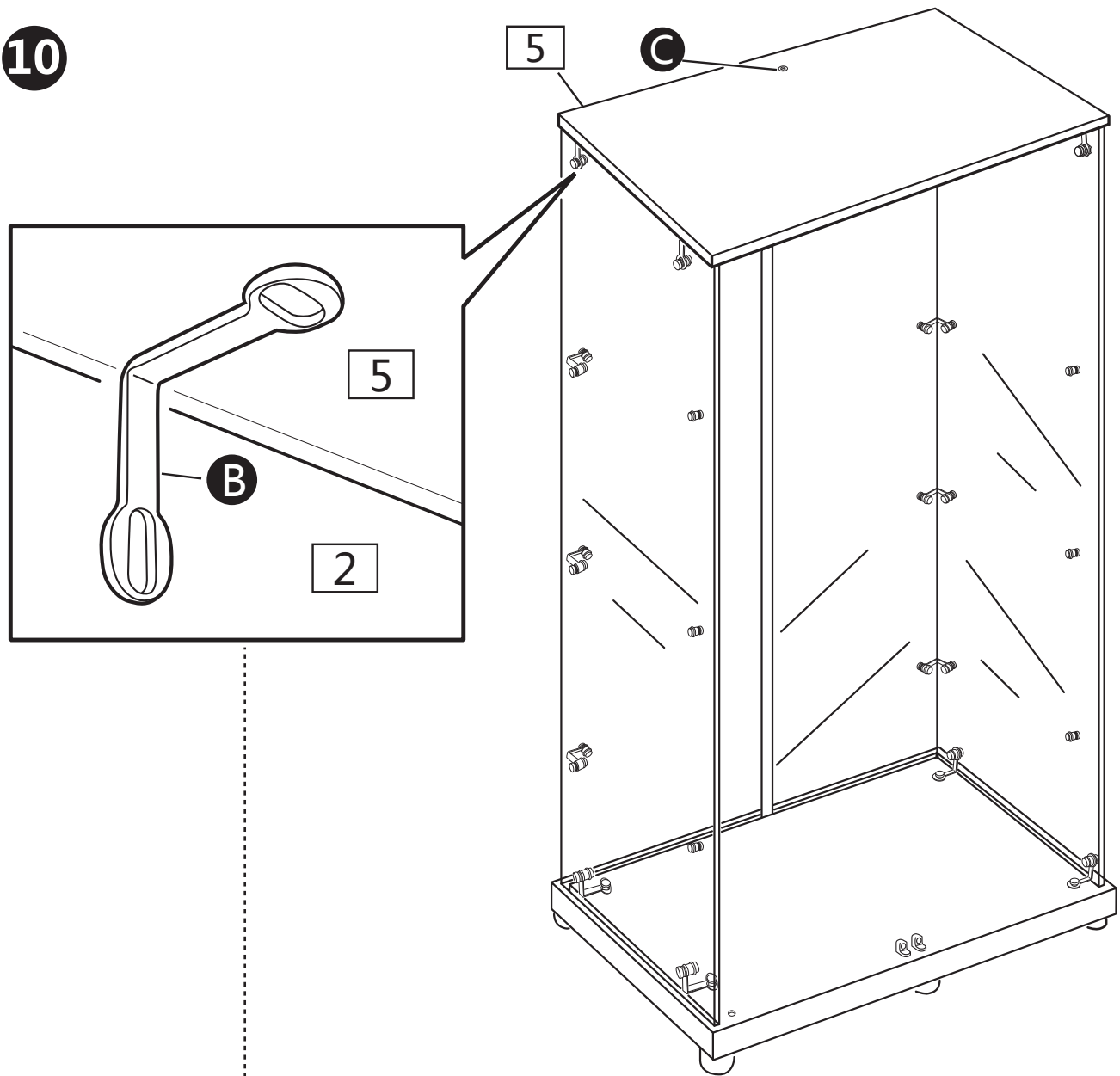


7

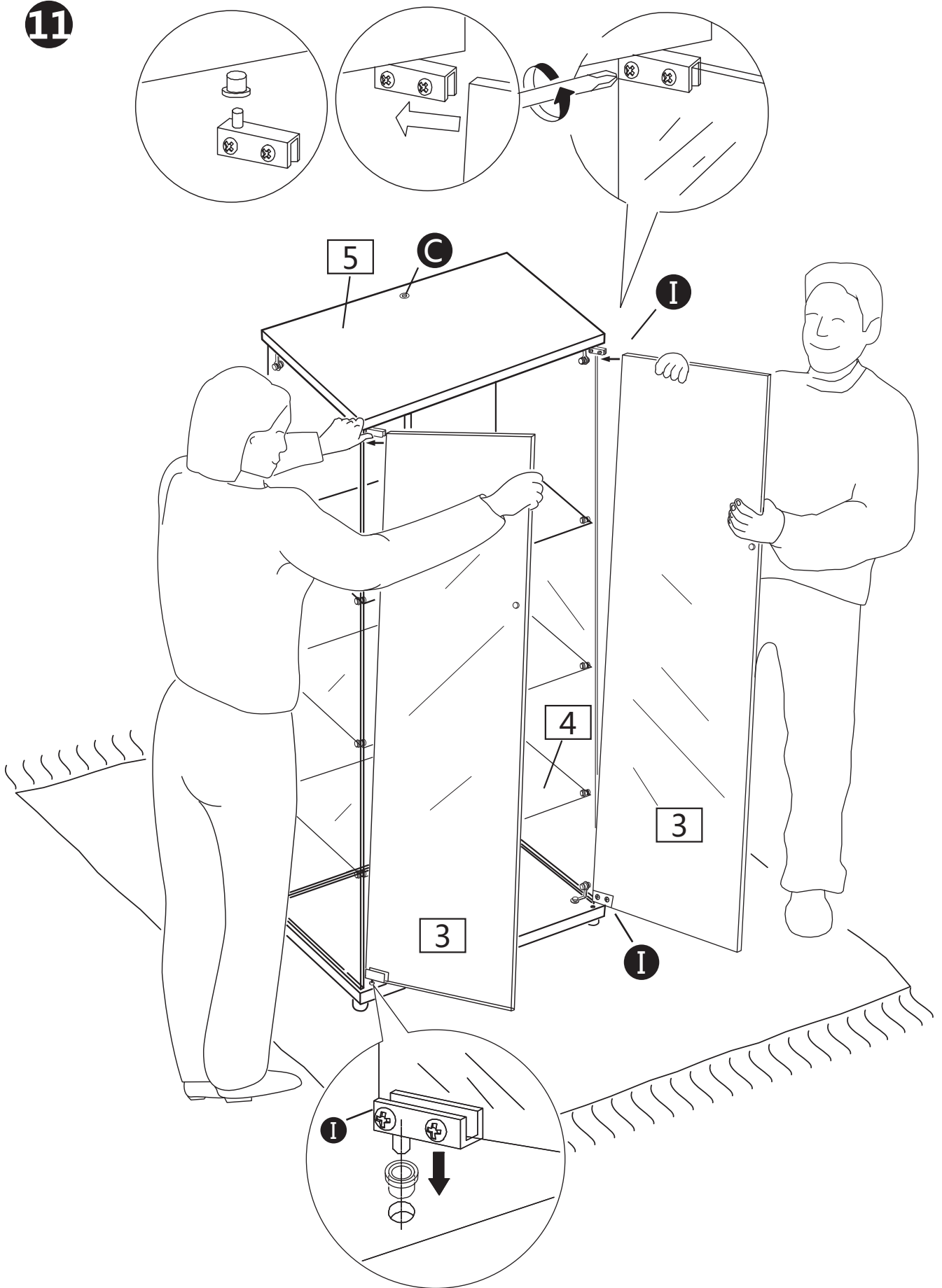




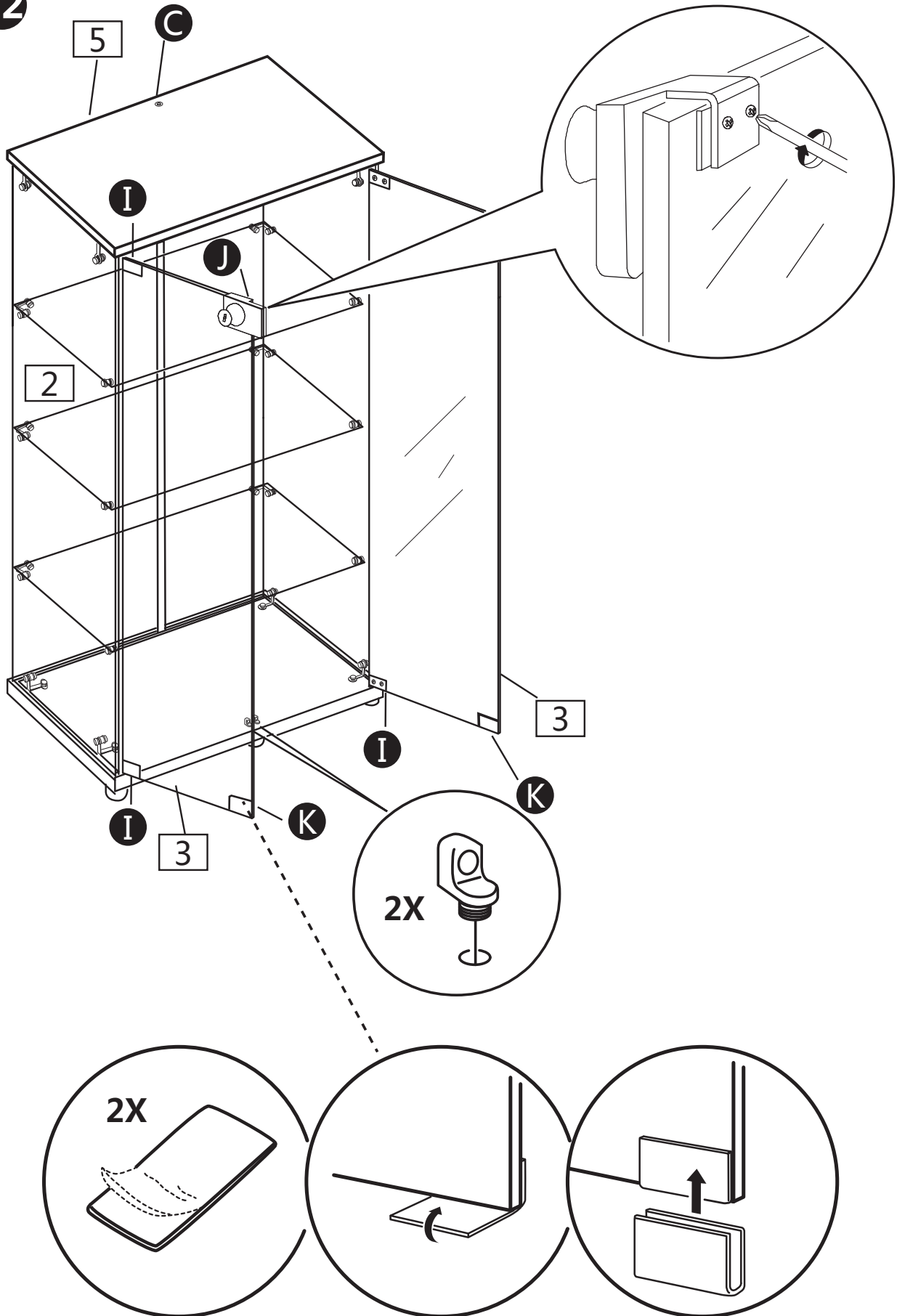
10



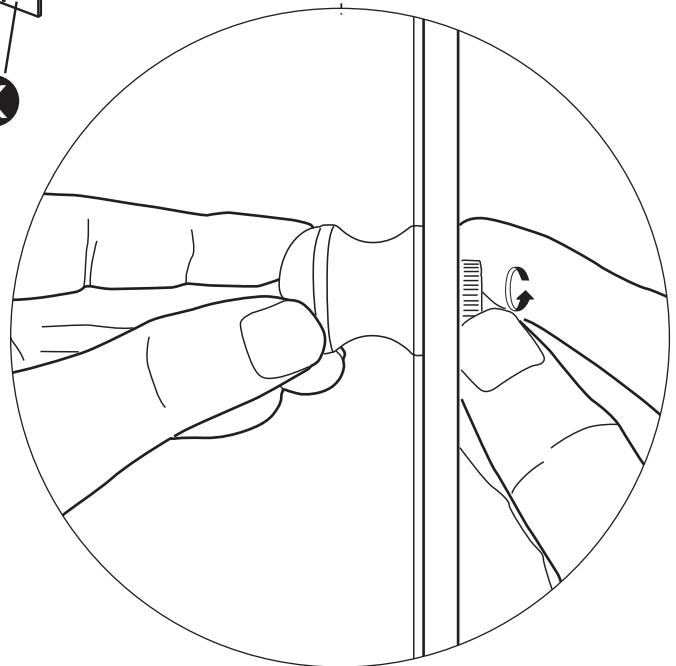
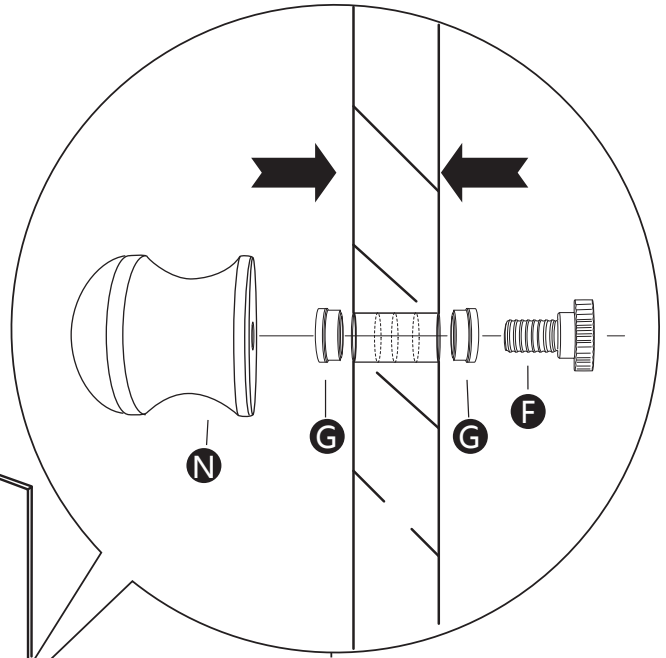
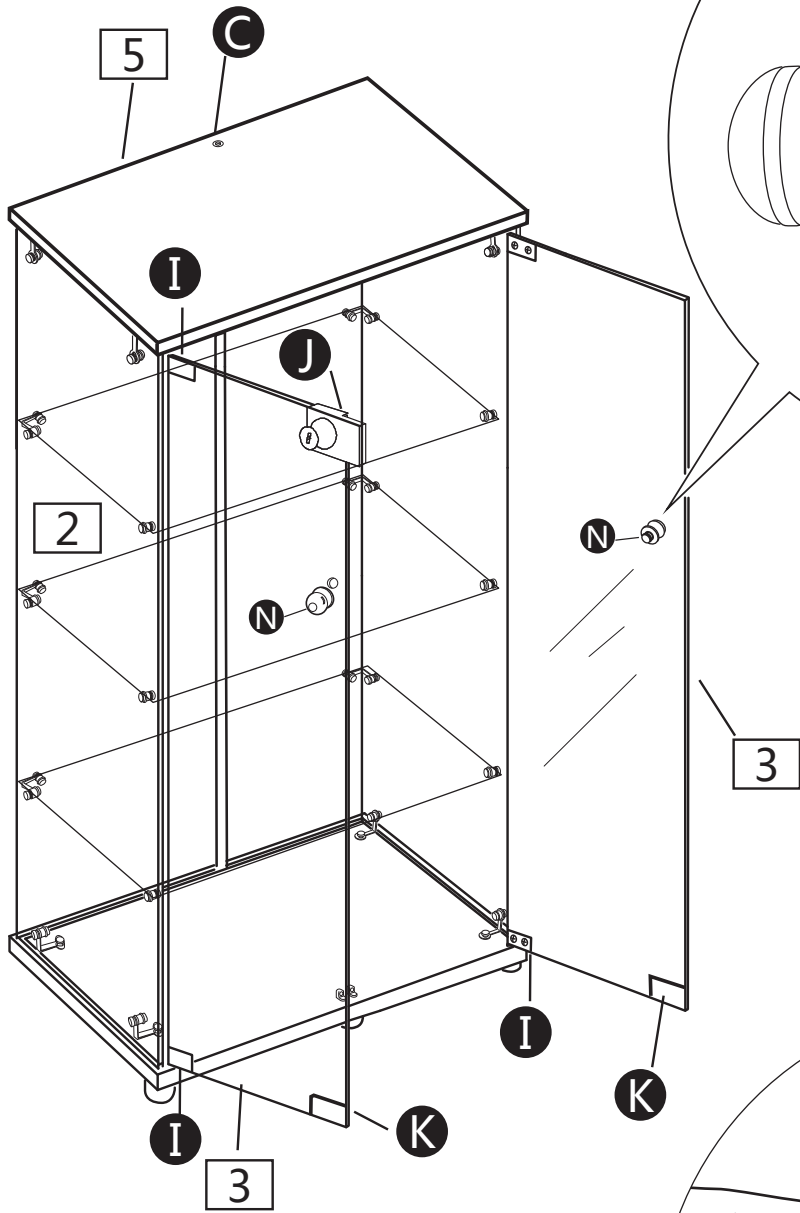
11



12

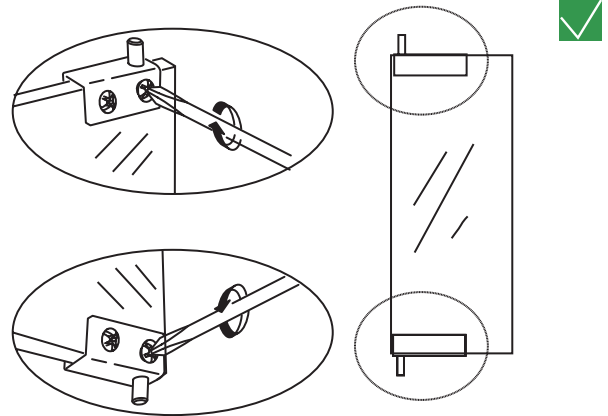
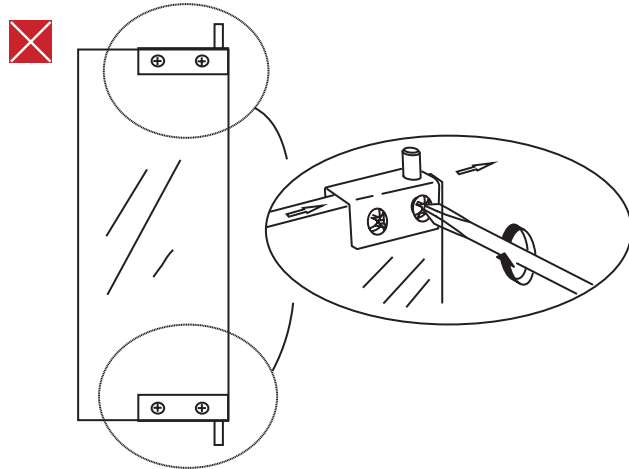


13

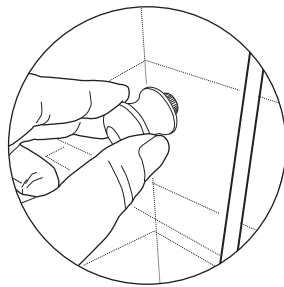
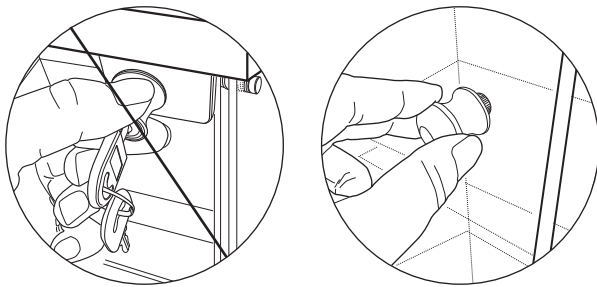


# INSTALLATION TROUBLESHOOTING TIPS

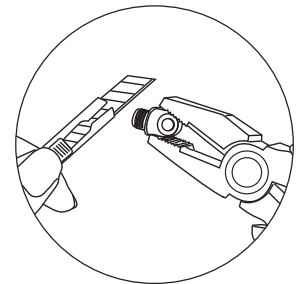
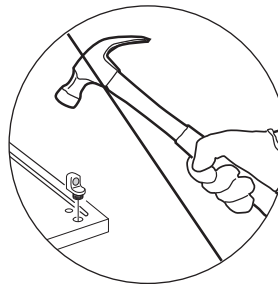
## Door clip adjustment



## Handle indication



## Door stopper installation is difficult



Please protect your hands with tools to avoid scratches

## Anti-tipping device

