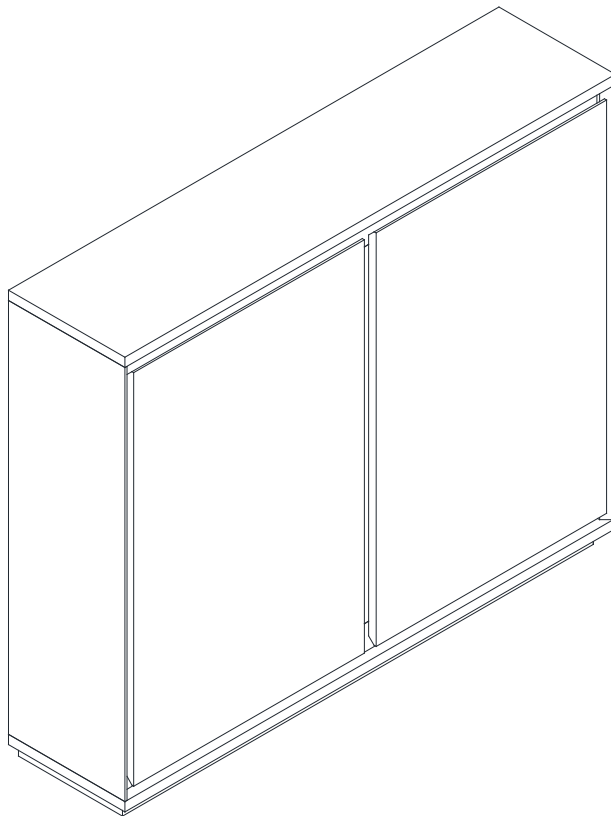


Assembly | Asamblea | Assemblage

PO

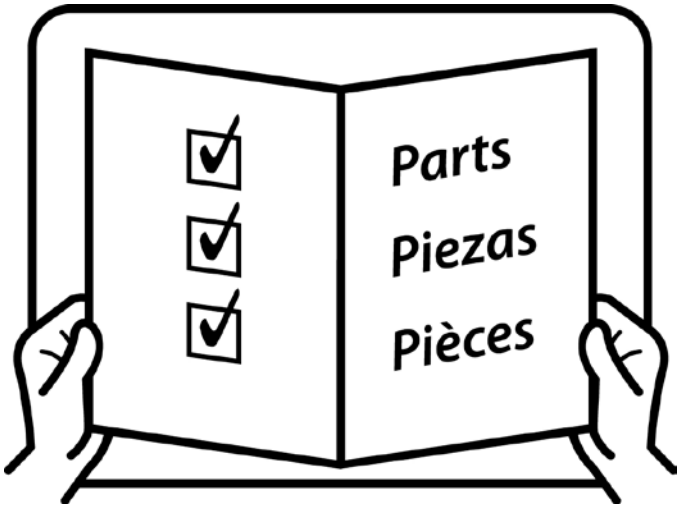
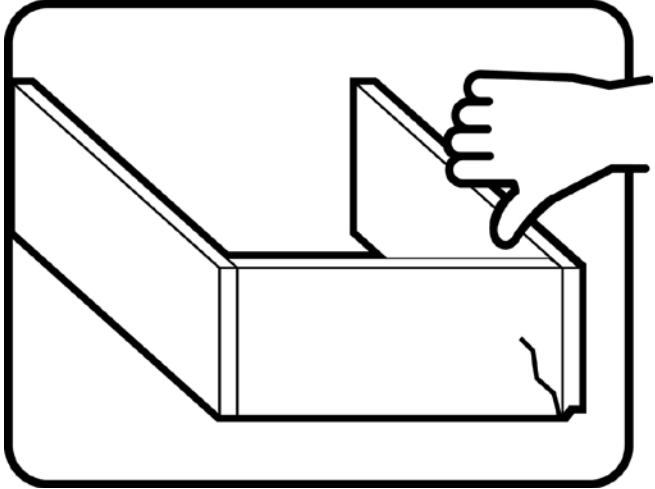
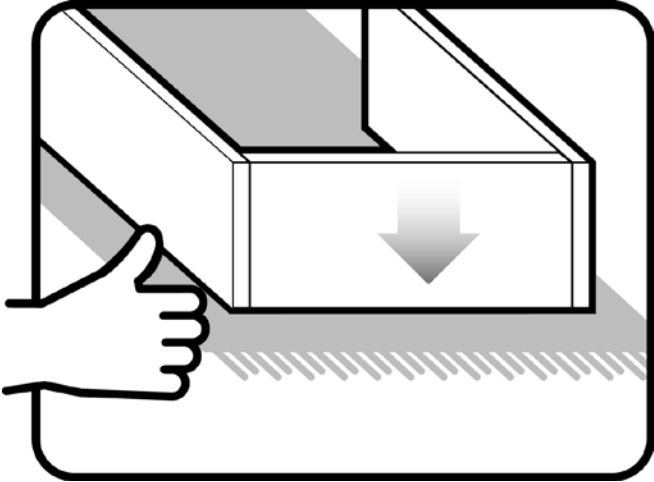
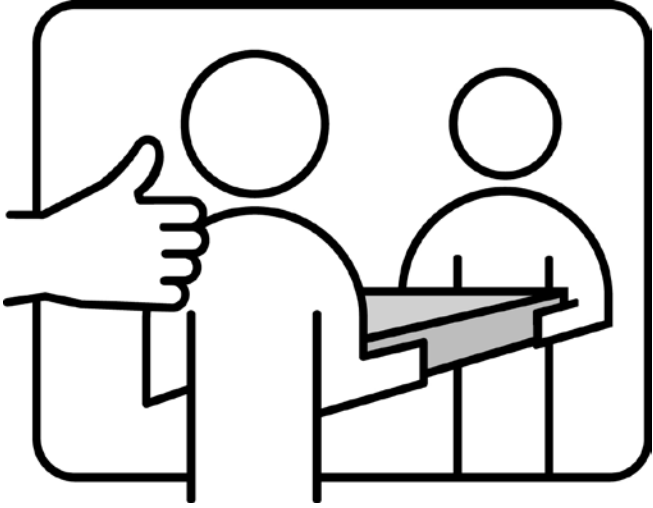
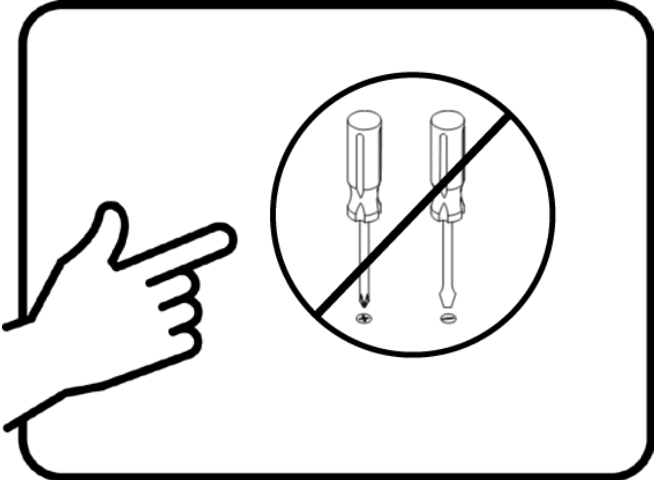


Product number | Número de producto | Numéro de produit

HYSC-001

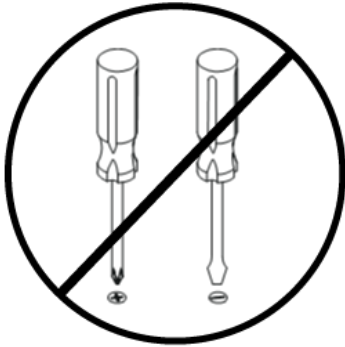
Thank you for your purchase! | ¡Gracias por tu compra! | Merci pour votre achat!

Assembly | Asamblea | Assemblage



Assembly | Asamblea | Assemblage

Techniques | Técnicas | Techniques



Care | Cuidado | Entretien



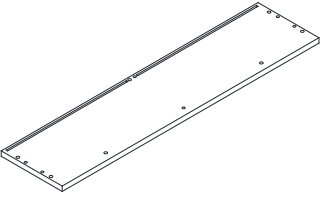
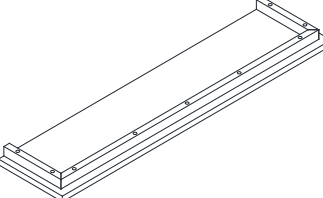
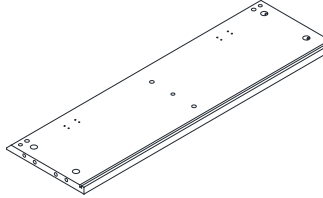
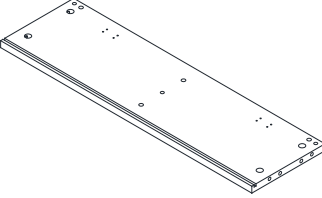
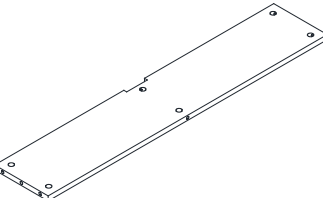
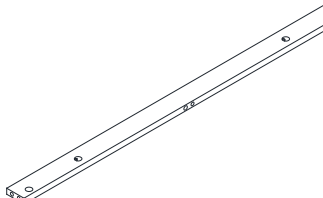
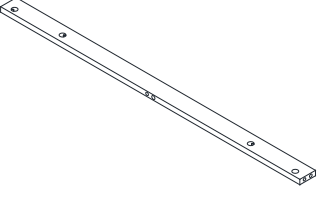
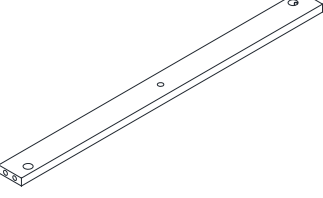
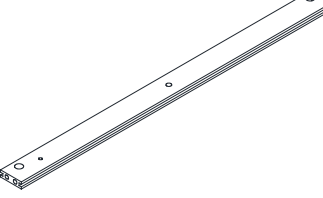
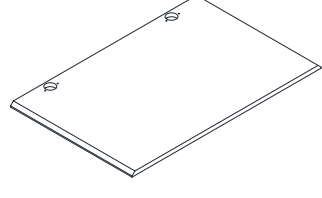
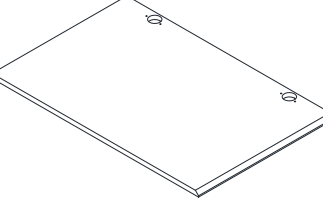
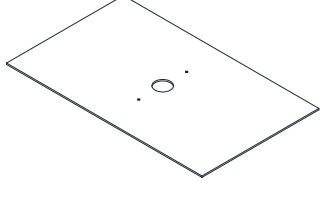
Safety | Seguridad | Sécurité



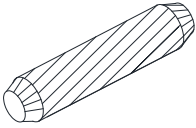
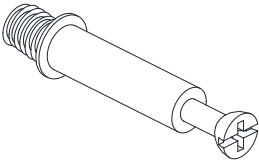
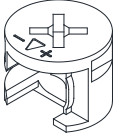
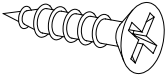
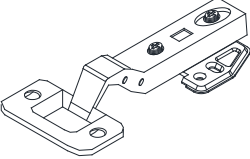

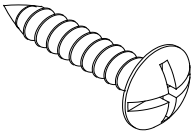
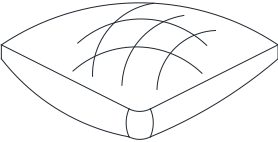
Note! | ¡Nota! | Remarque!



Assembly | Asambla | Assemblage

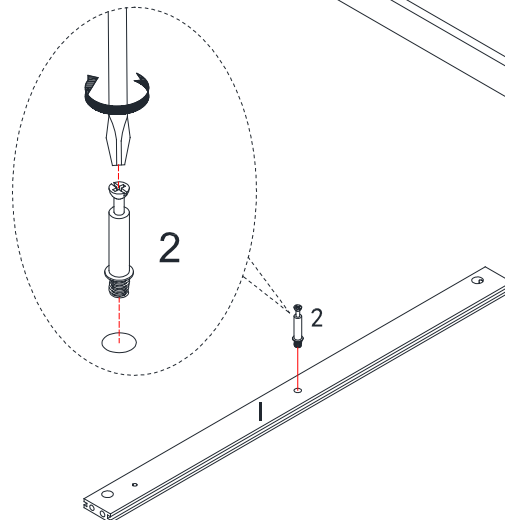
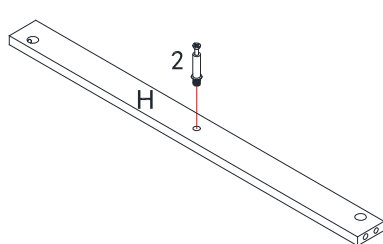
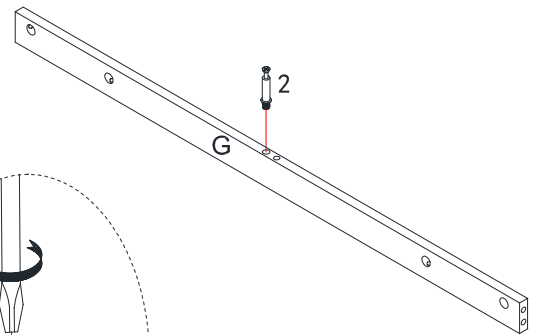
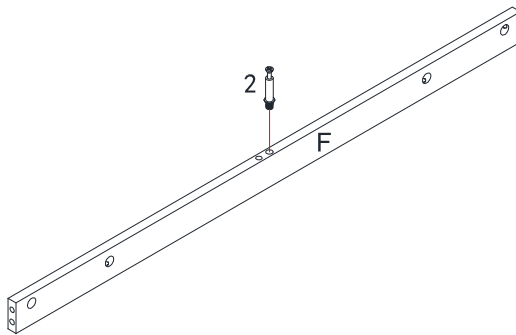
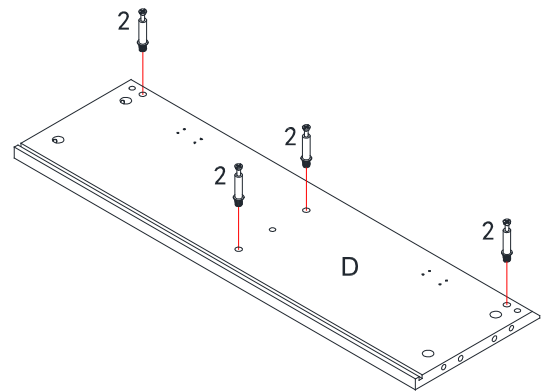
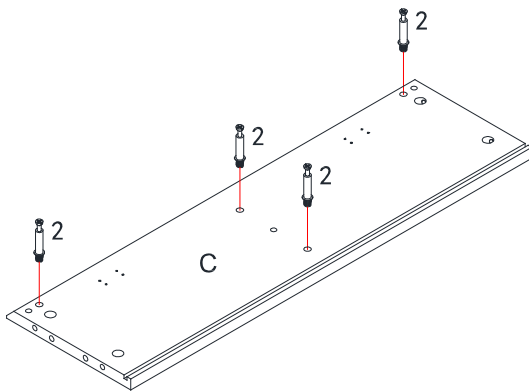
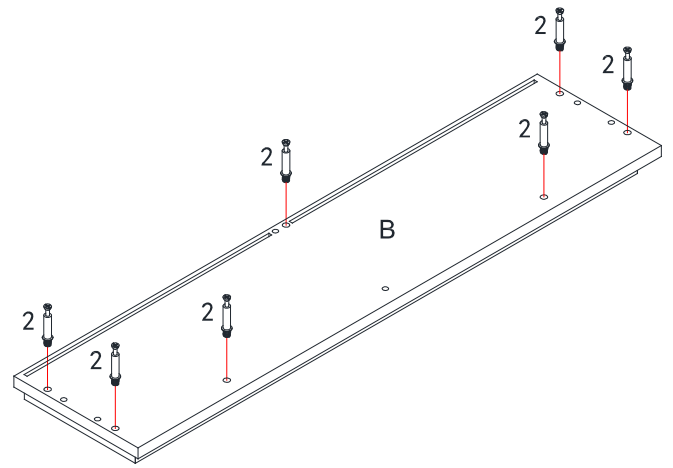
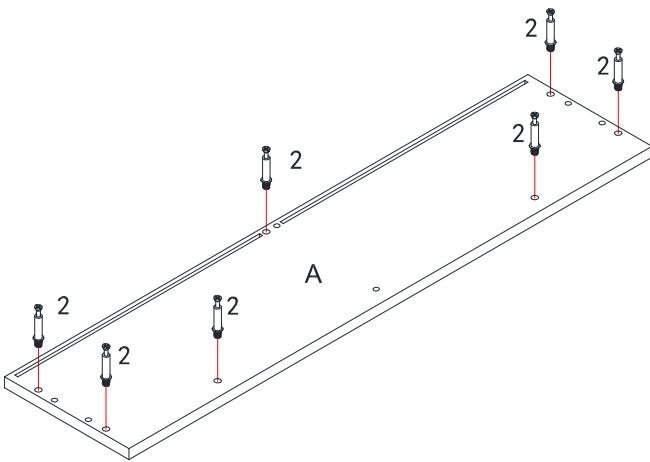
<p>A x1</p>  <p>Top Panel</p>	<p>B x1</p>  <p>Bottom Panel</p>	<p>C x1</p>  <p>Left Side Panel</p>
<p>D x1</p>  <p>Right Side Panel</p>	<p>E x1</p>  <p>Fixed Shelf</p>	<p>F x1</p>  <p>Top Cross Rail</p>
<p>G x1</p>  <p>Bottom Cross Rail</p>	<p>H x1</p>  <p>Front Cross Rail</p>	<p>I x1</p>  <p>Back Cross Rail</p>
<p>J X1</p>  <p>Left Door</p>	<p>K X1</p>  <p>Right Door</p>	<p>L X2</p>  <p>Back Panel</p>

Assembly | Asambla | Assemblage

1  Wood Dowel	x20	2  Cam Bolt	x26	3  Cam Lock	x26
4  Screw Ø6.5*Ø3.5*D13.5mm	x24	5  Hinge	x4	6  Pad	x4
7  Screw φ3*12mm	x4	8  Safety Strap Kit	x1		

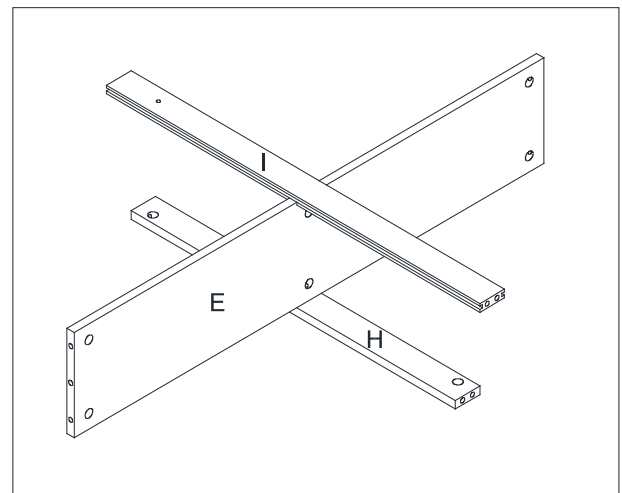
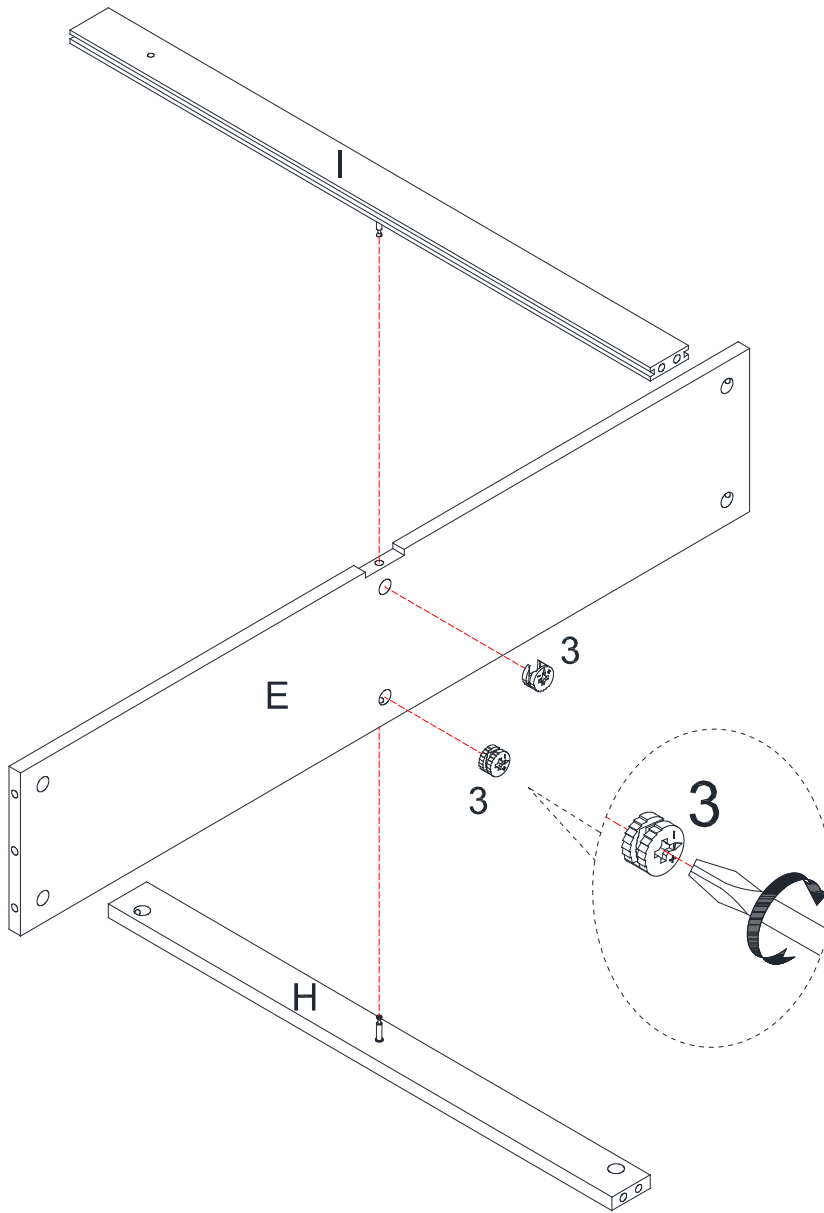
Assembly | Asambla | Assemblage

1



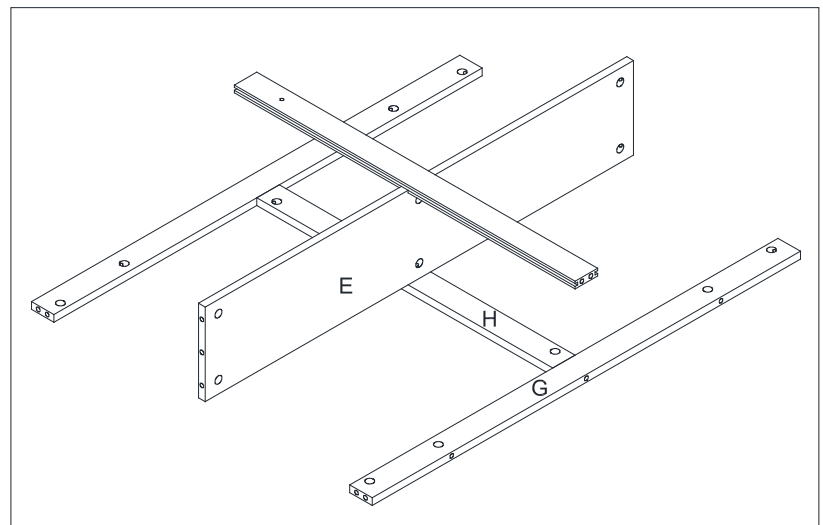
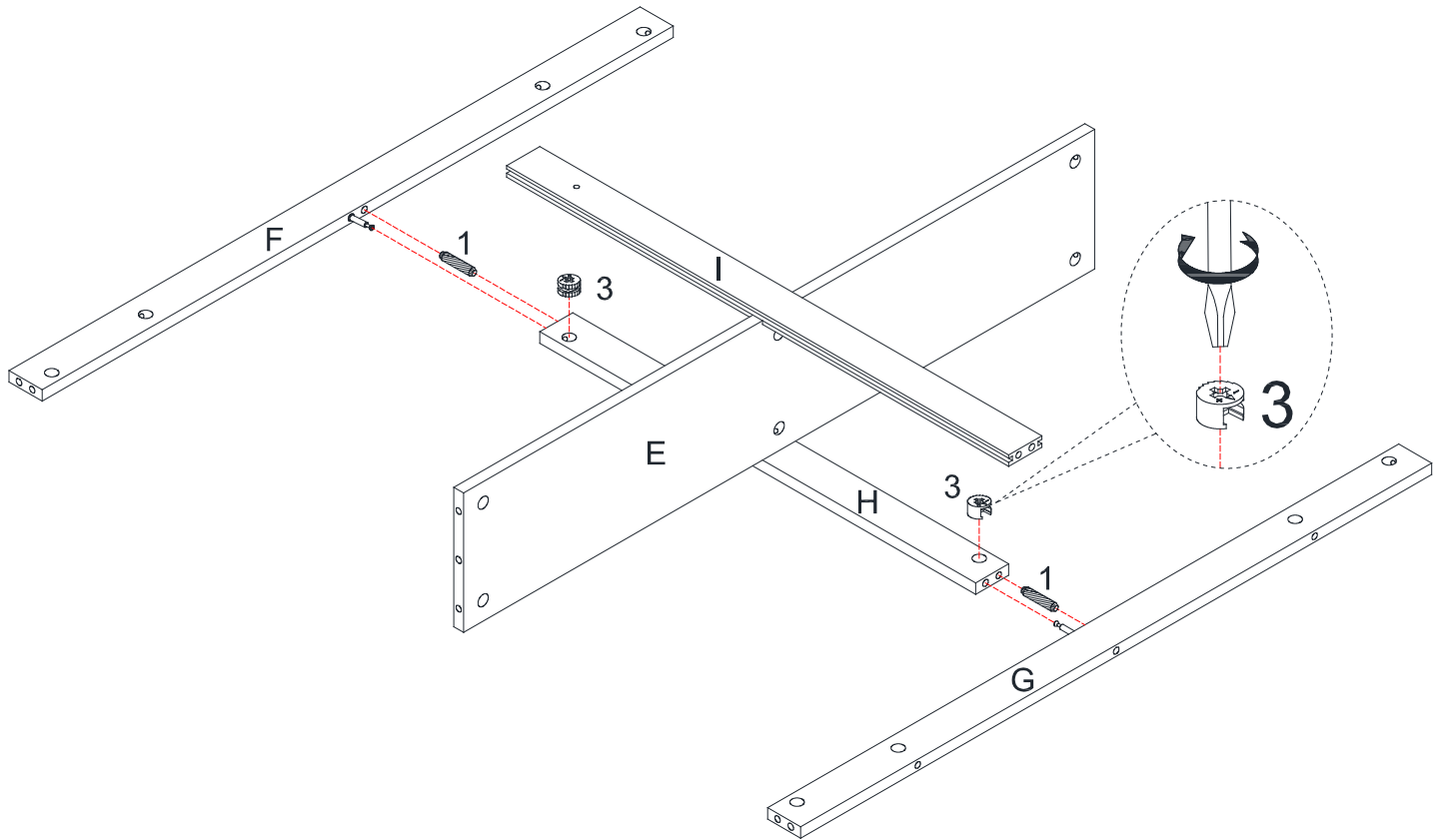
Assembly | Asambla | Assemblage

2



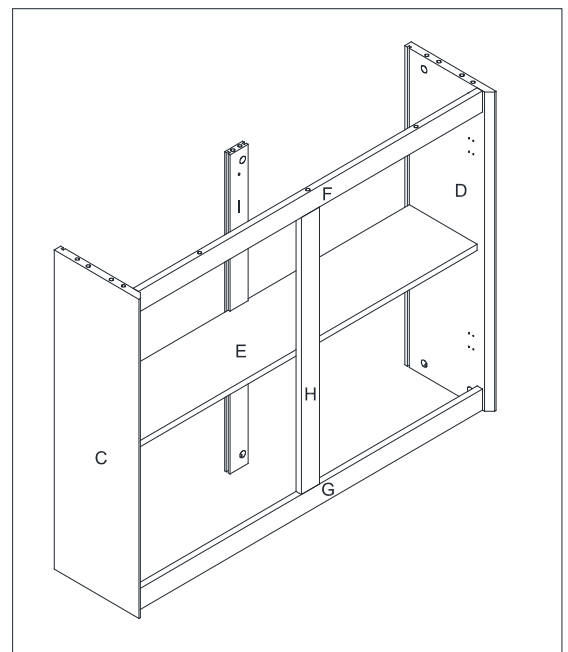
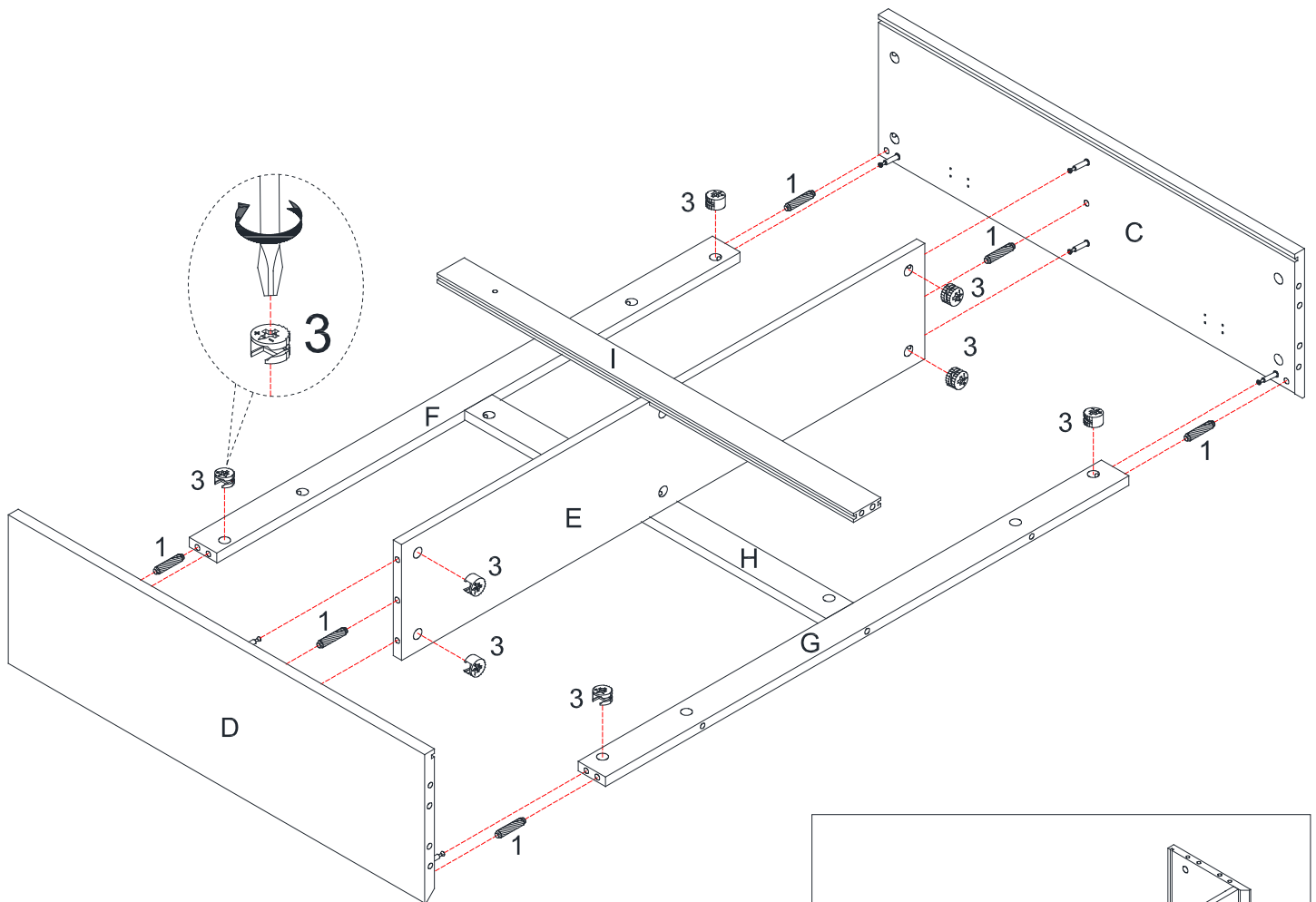
Assembly | Asambla | Assemblage

3



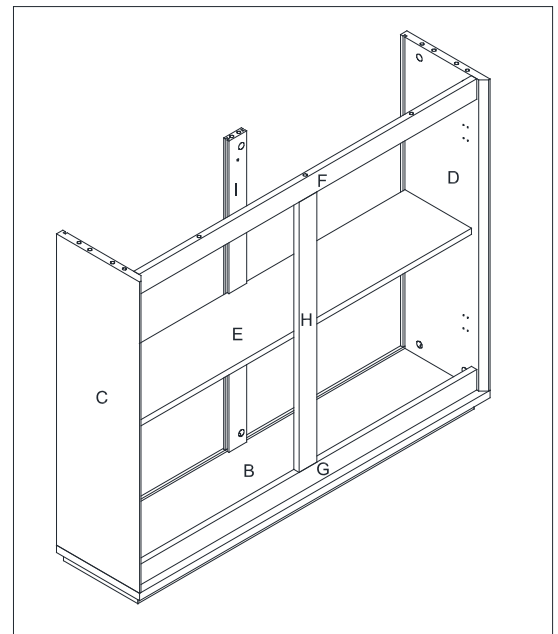
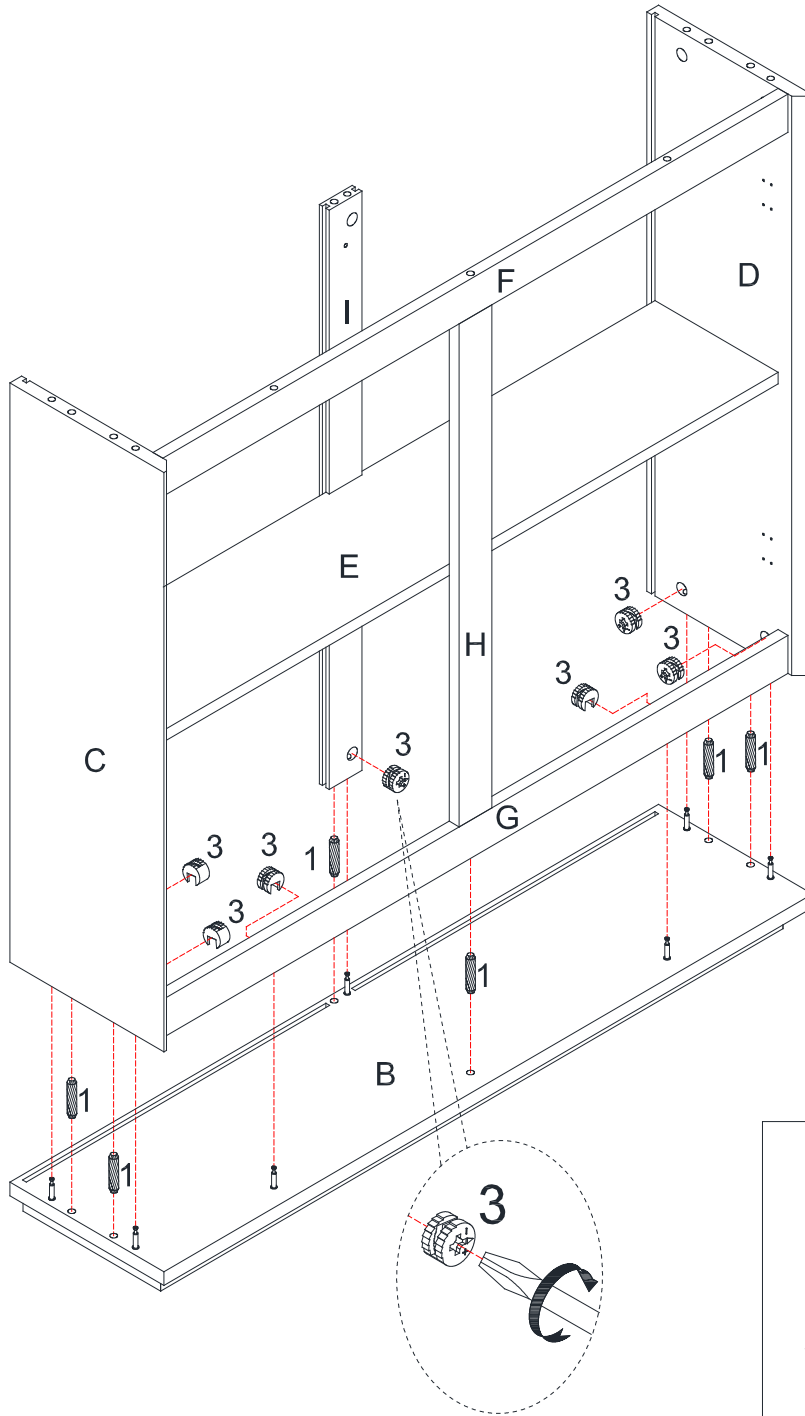
Assembly | Asambla | Assemblage

4



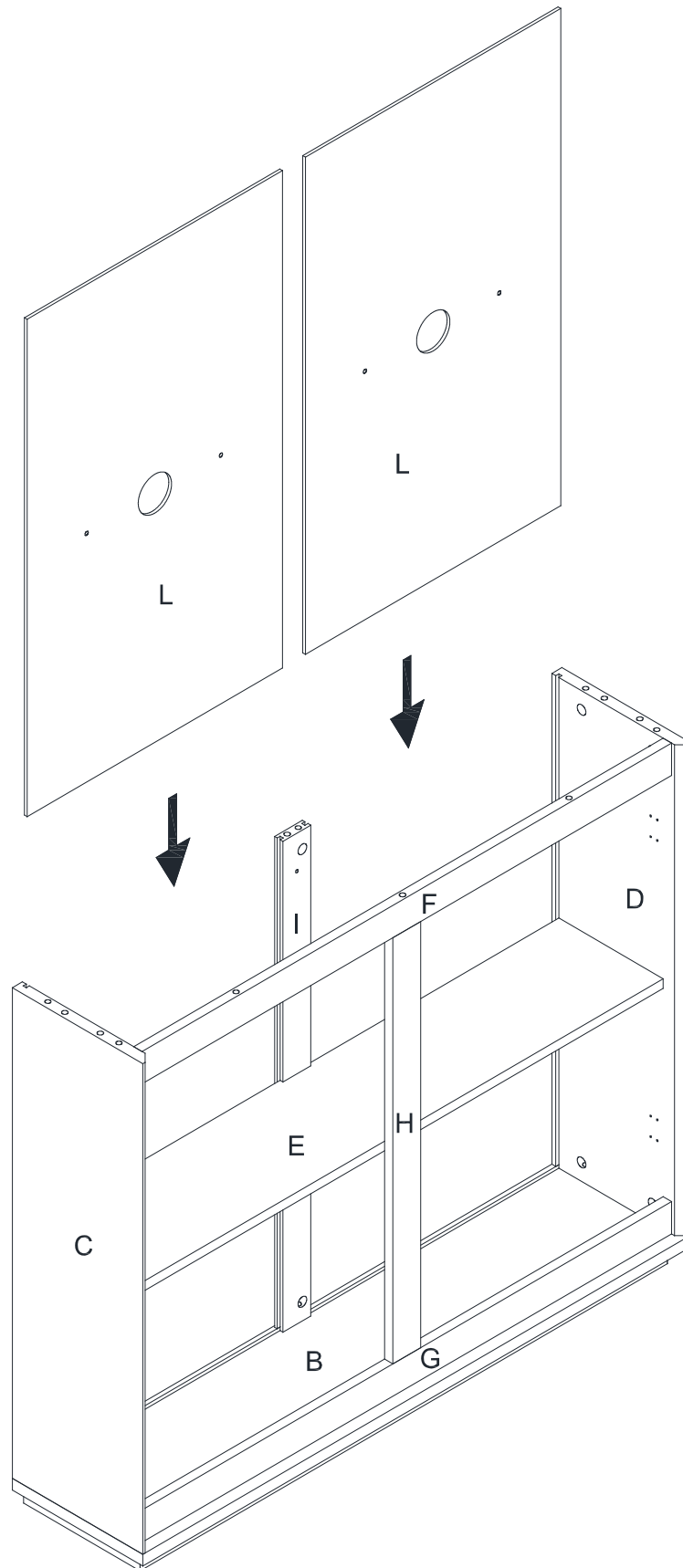
Assembly | Asambla | Assemblage

5



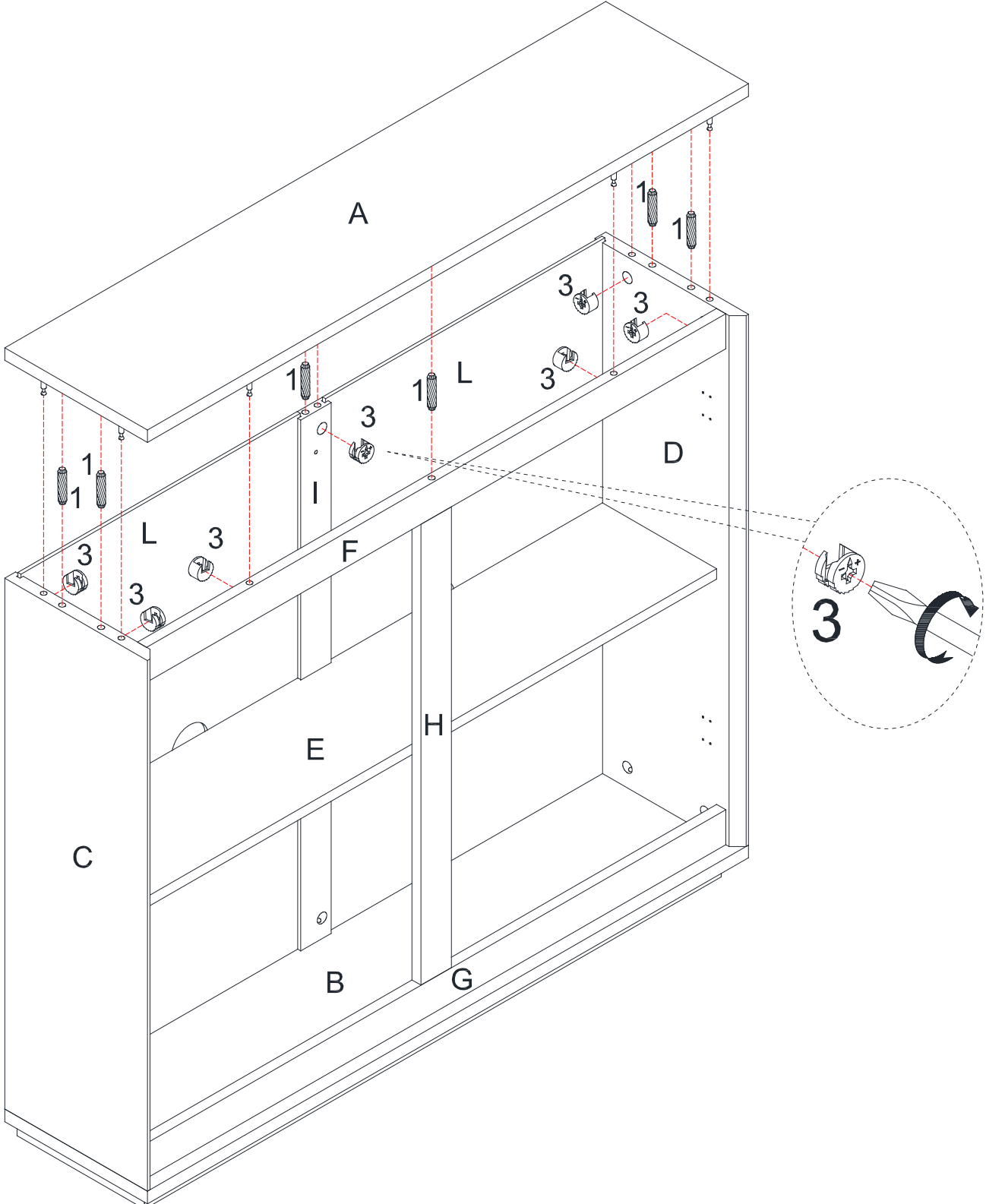
Assembly | Asambla | Assemblage

6



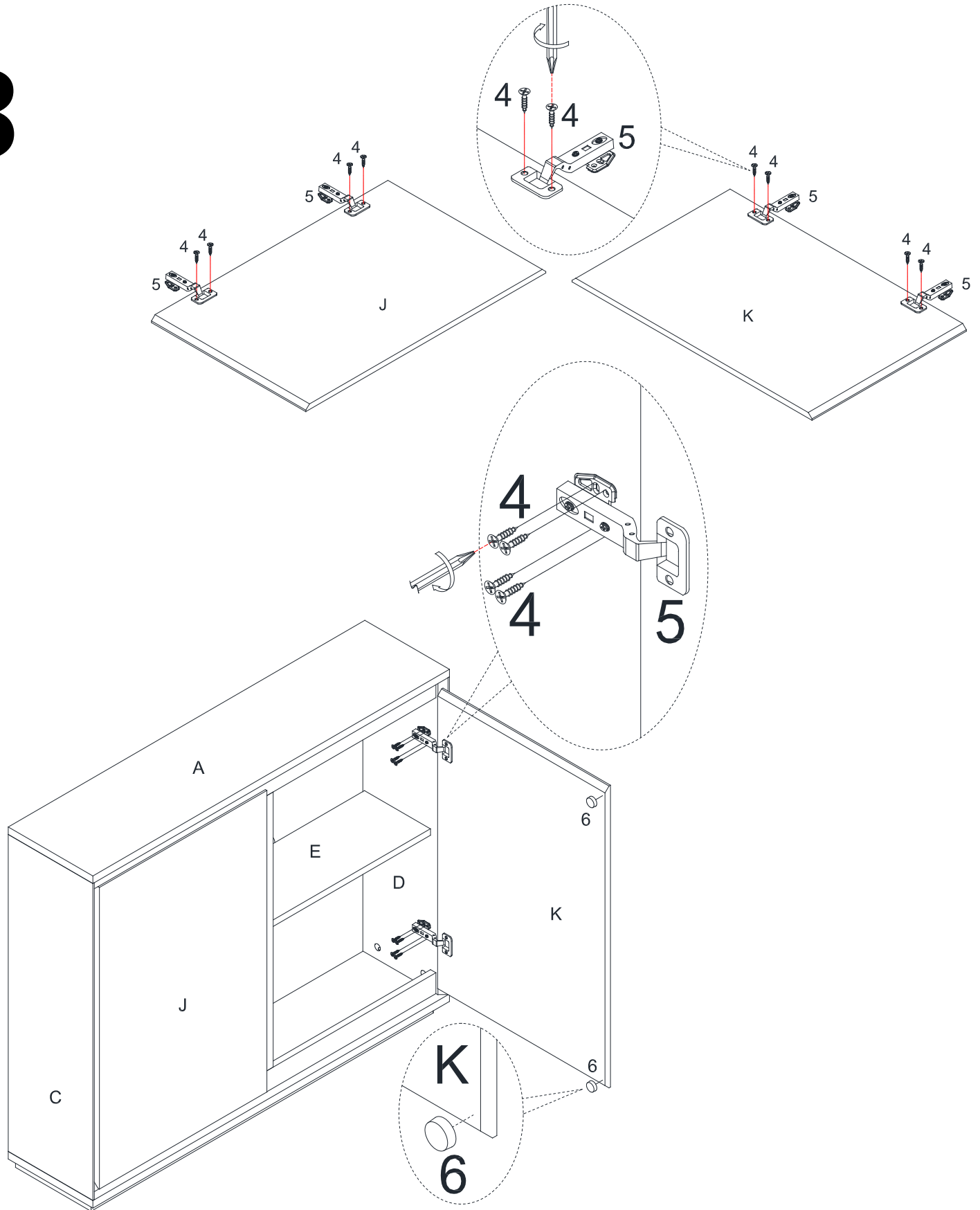
Assembly | Asambla | Assemblage

7



Assembly | Asambla | Assemblage

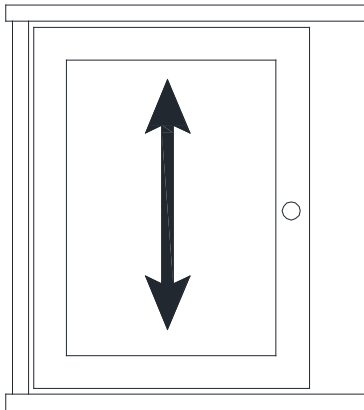
8



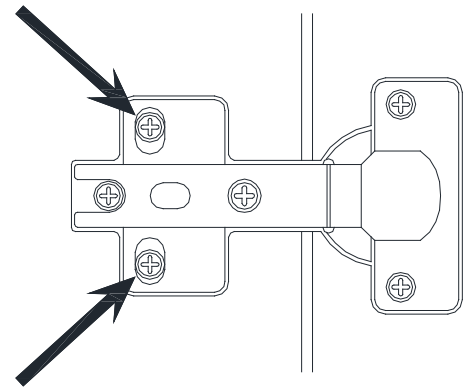
Assembly | Asambla | Assemblage

9

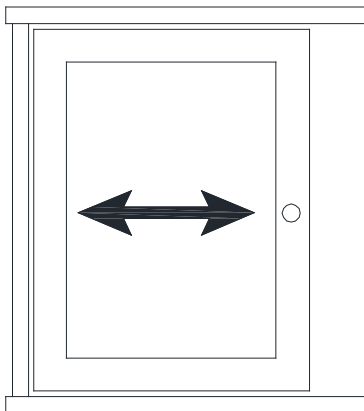
FRONT VIEW



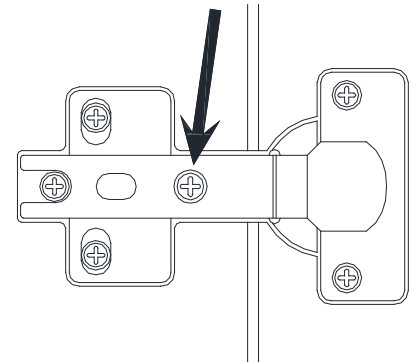
UP AND DOWN
Use screws to adjust the gaps at the top and bottom of door.



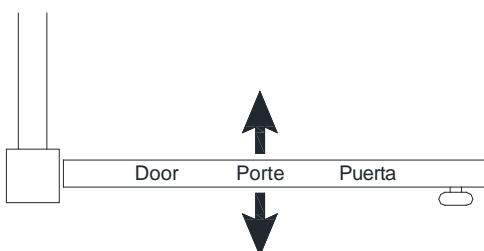
FRONT VIEW



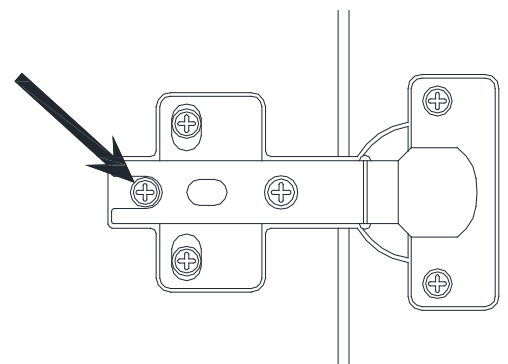
LEFT AND RIGHT
Use screw to adjust the gaps at left and right of the door.



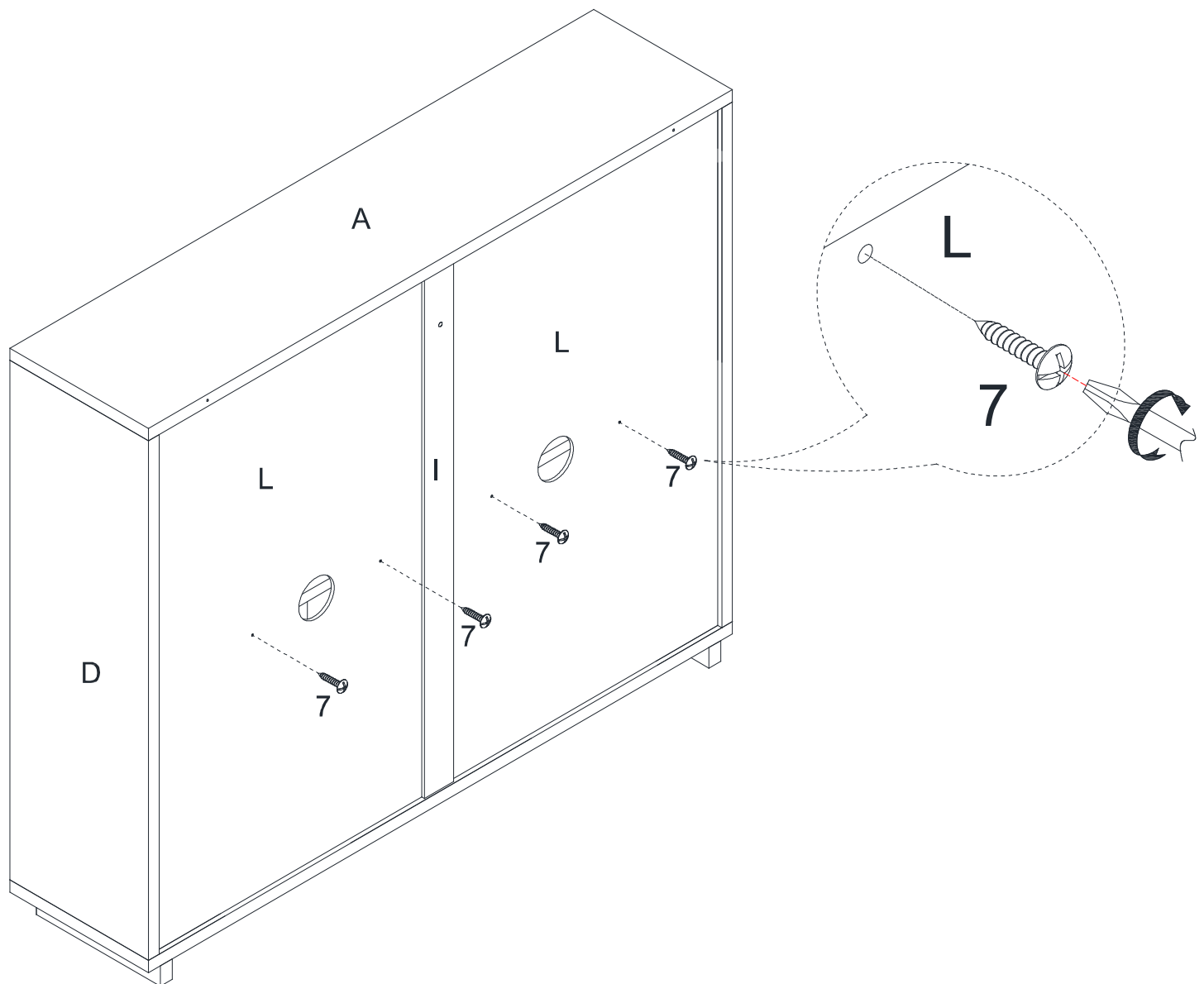
TOP VIEW



IN AND OUT
Use screw to move the door in or out.


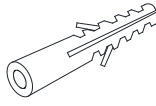

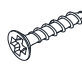
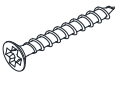
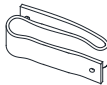



10



Assembly | Asambla | Assemblage

11

#8	A	B	C	D	E	F
						
Safety Strap Kit	Anchor	Washer	Short Screw	Long Screw	Safety Wall Strap	Longer Screw
1 SET	3 PCS	5 PCS	2 PCS	2 PCS	2 PCS	1 PC

