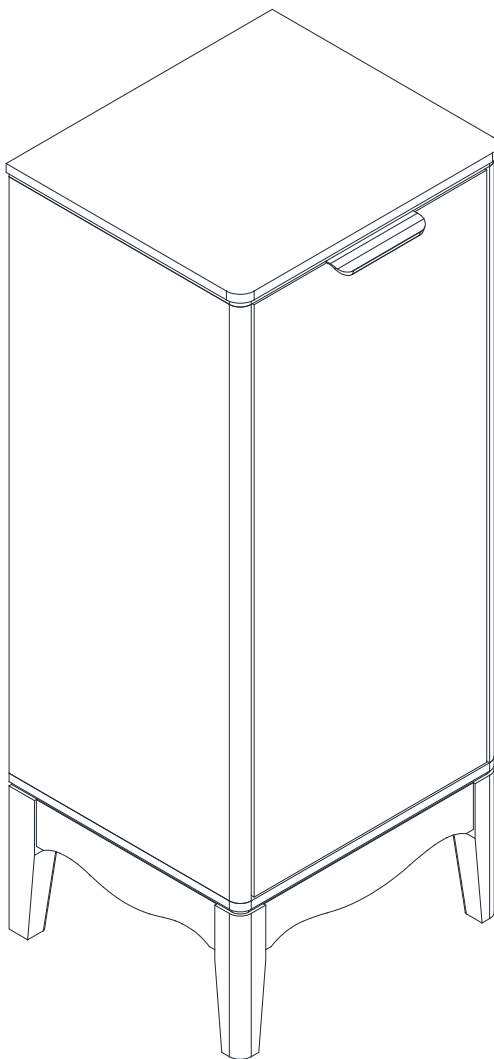


Assembly | Asambla | Assemblage

PO

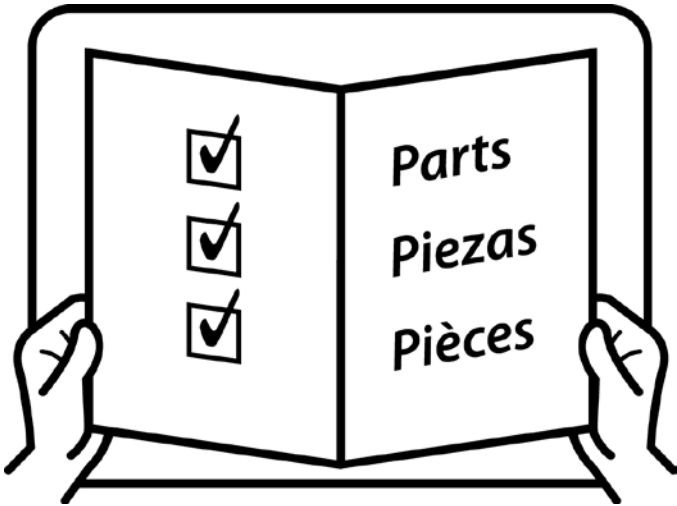
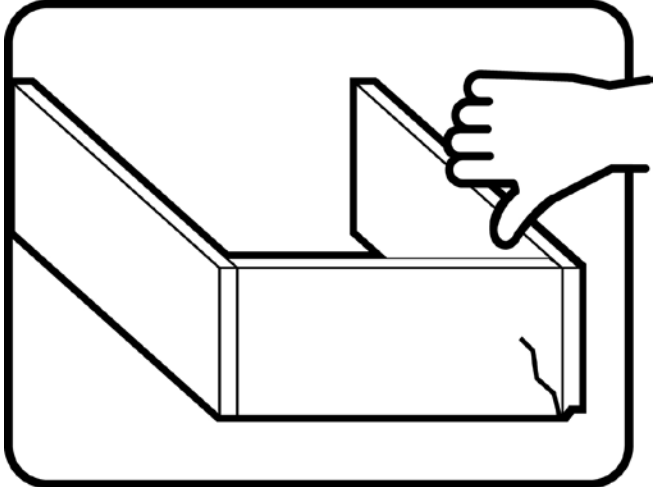
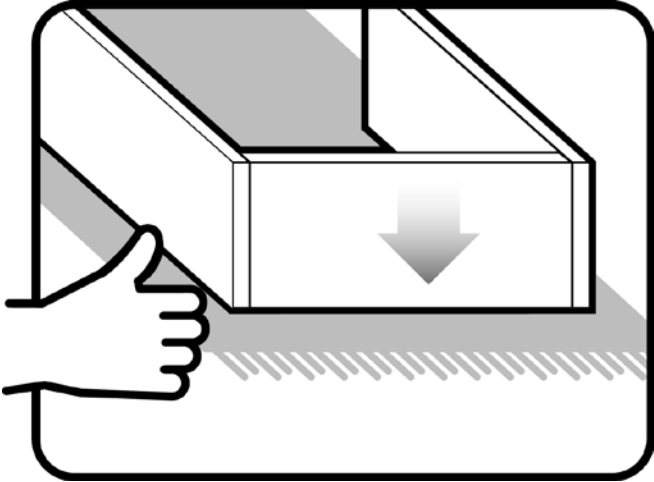
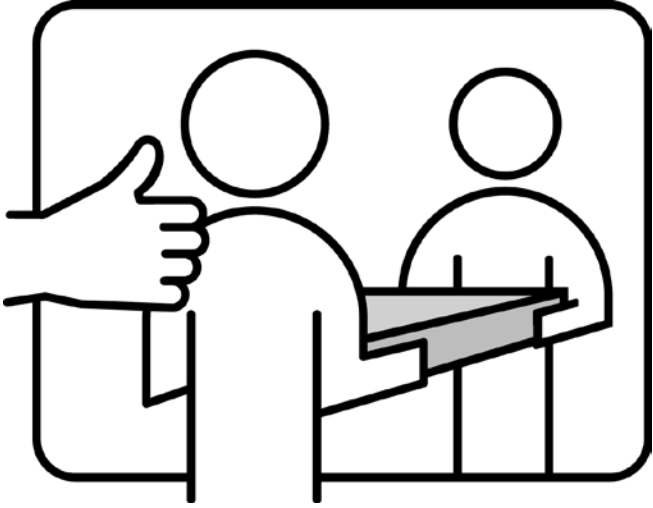
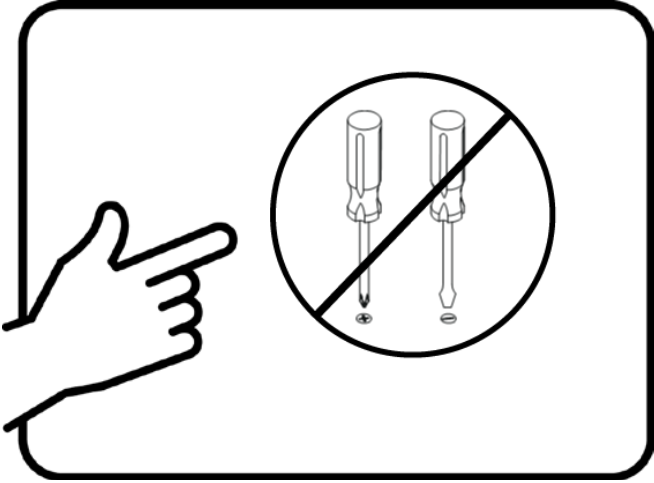


Product number | Número de producto | Numéro de produit

HYBT-FC-001

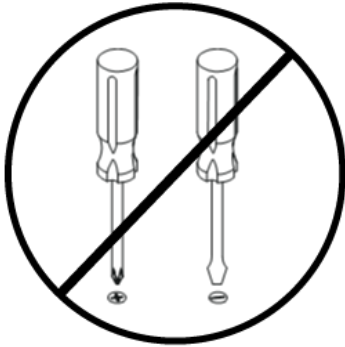
Thank you for your purchase! | ¡Gracias por tu compra! | Merci pour votre achat!

Assembly | Asamblea | Assemblage



Assembly | Asamblea | Assemblage

Techniques | Técnicas | Techniques



Care | Cuidado | Entretien



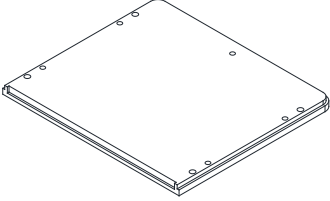
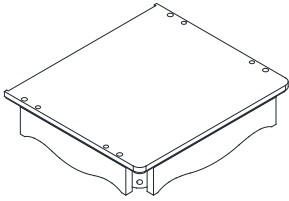
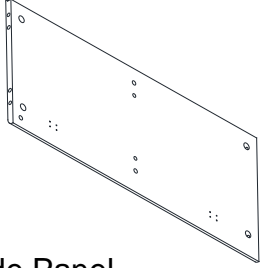
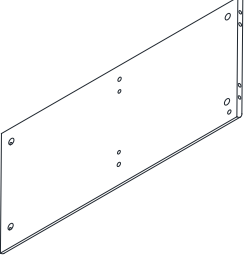
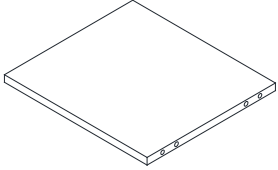
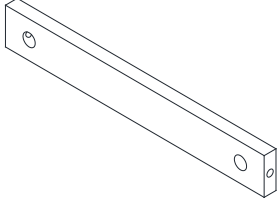
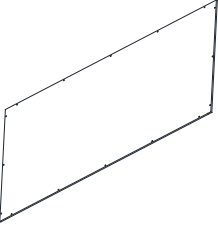


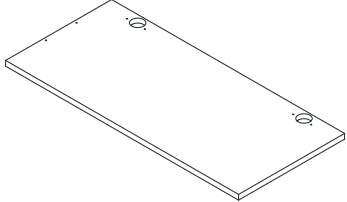
Safety | Seguridad | Sécurité



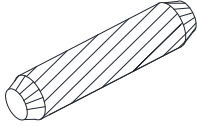
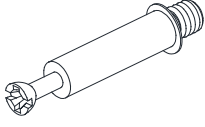
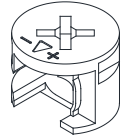
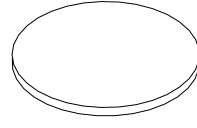
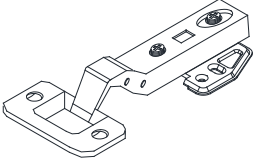
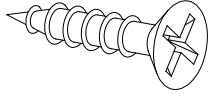
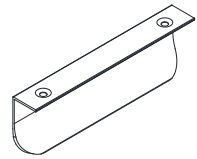
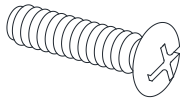
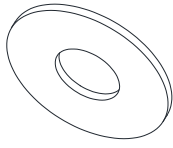
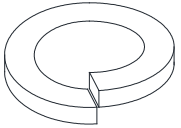
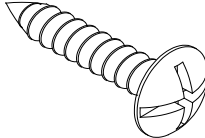
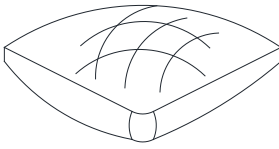
Note! | ¡Nota! | Remarque!



Assembly | Asambla | Assemblage

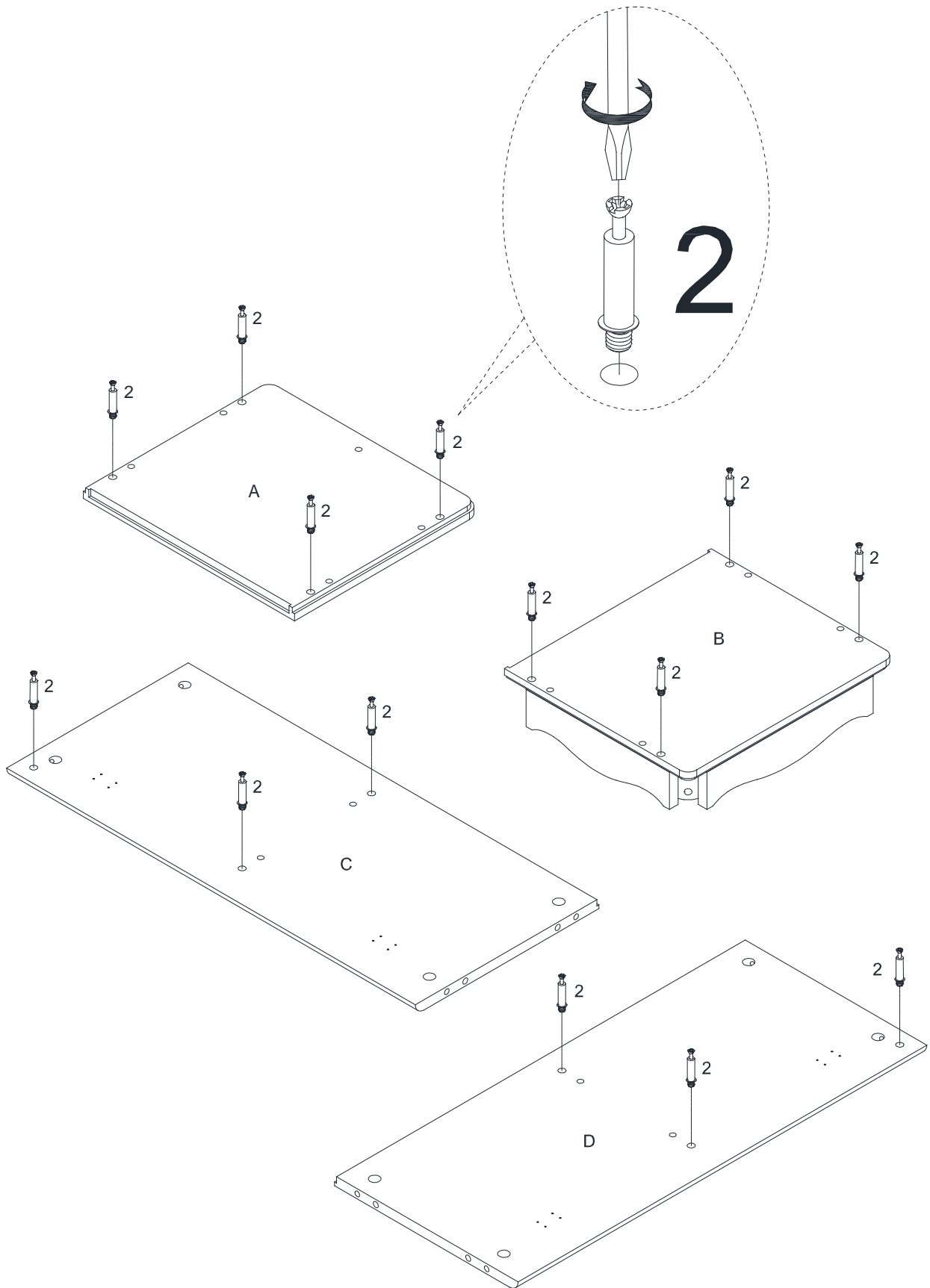
<p>A x1</p>  <p>Top Panel</p>	<p>B x1</p>  <p>Bottom Panel</p>	<p>C x1</p>  <p>Left Side Panel</p>
<p>D x1</p>  <p>Right Side Panel</p>	<p>E x1</p>  <p>Fixed Shelf</p>	<p>F x1</p>  <p>Cross Rail</p>
<p>G x1</p>  <p>Back panel</p>	<p>H x2</p>  <p>Front Leg</p>	<p>I x2</p>  <p>Black Leg</p>
<p>K X1</p>  <p>Door</p>		

Assembly | Asamblea | Assemblage

1	x13	2	x14	3	x14
					
Wood Dowel		Cam Bolt		Cam Lock	
4	x14	5	x2	6	x14
					
Plastic Cover		Hinge		Screw $\phi 3 * 12 \text{mm}$	
7	x1	8	x8	9	x8
					
Handle		Bolt $1/4" * 1-5/8"$		Flat Washer $\phi 1/4" * 16$	
10	x8	11	x15	12	X1
					
Spring Washer $\phi 1/4"$		Screw $\phi 3 * 12 \text{mm}$		Safety Strap Kit	

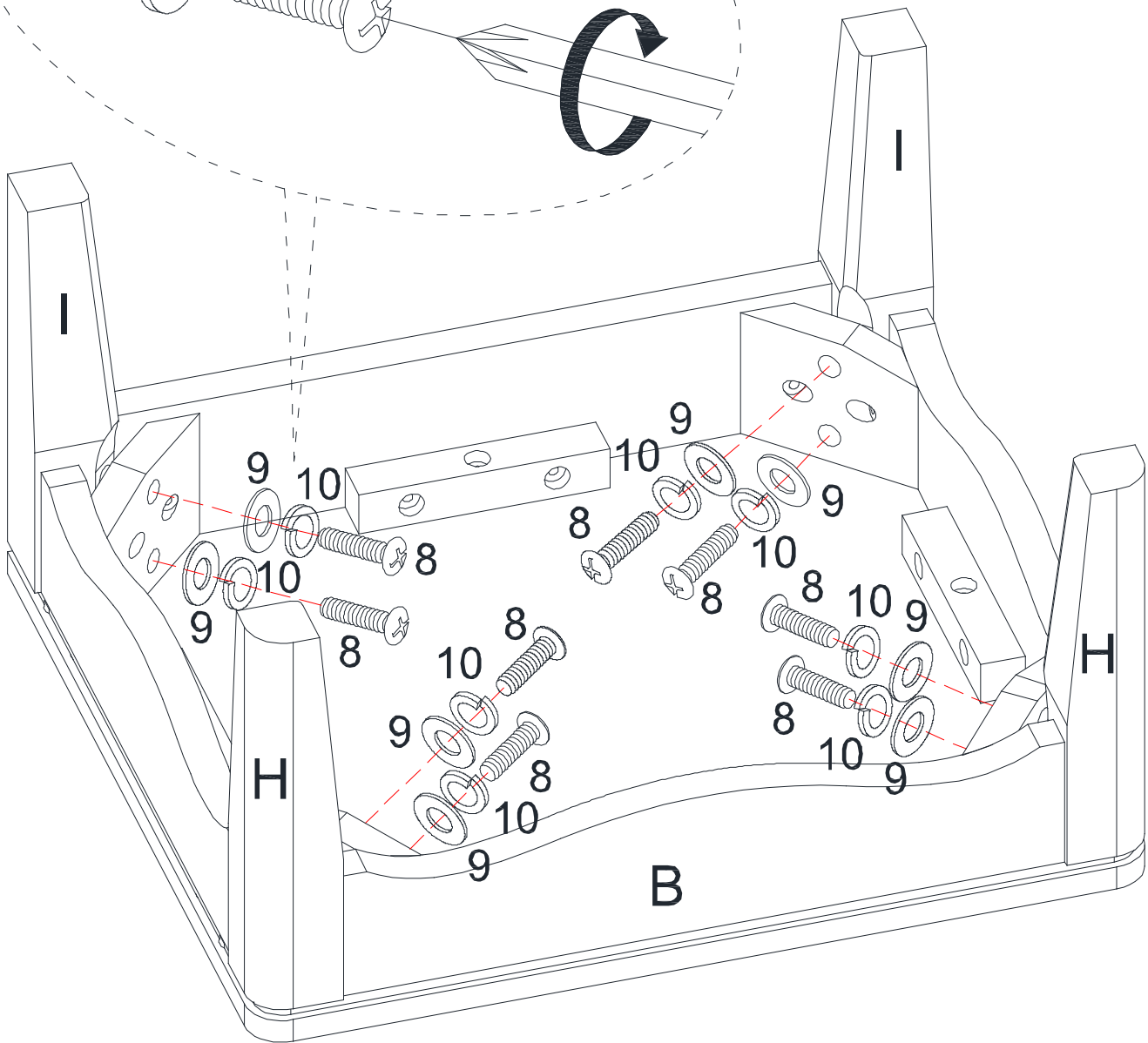
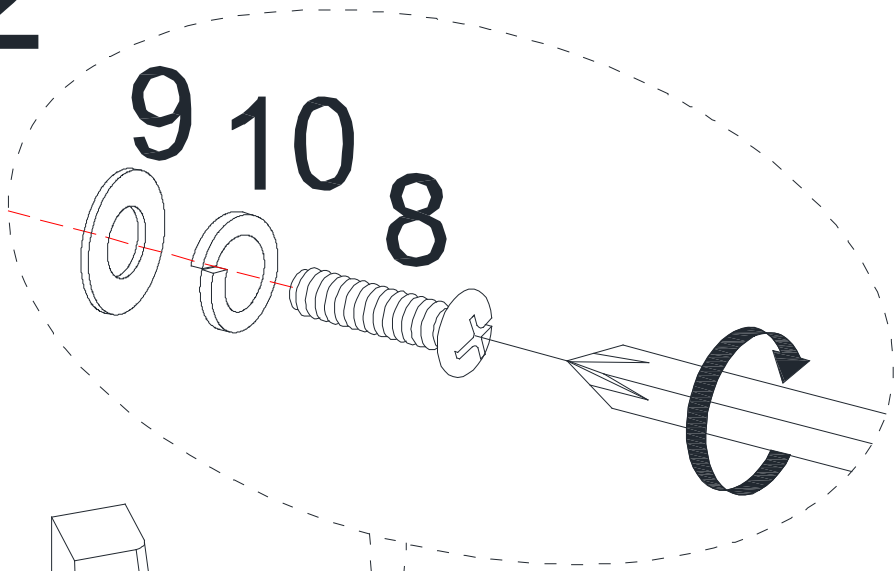
Assembly | Asambla | Assemblage

1



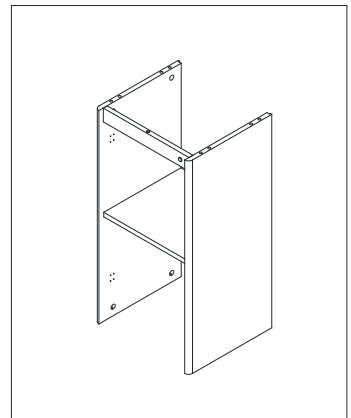
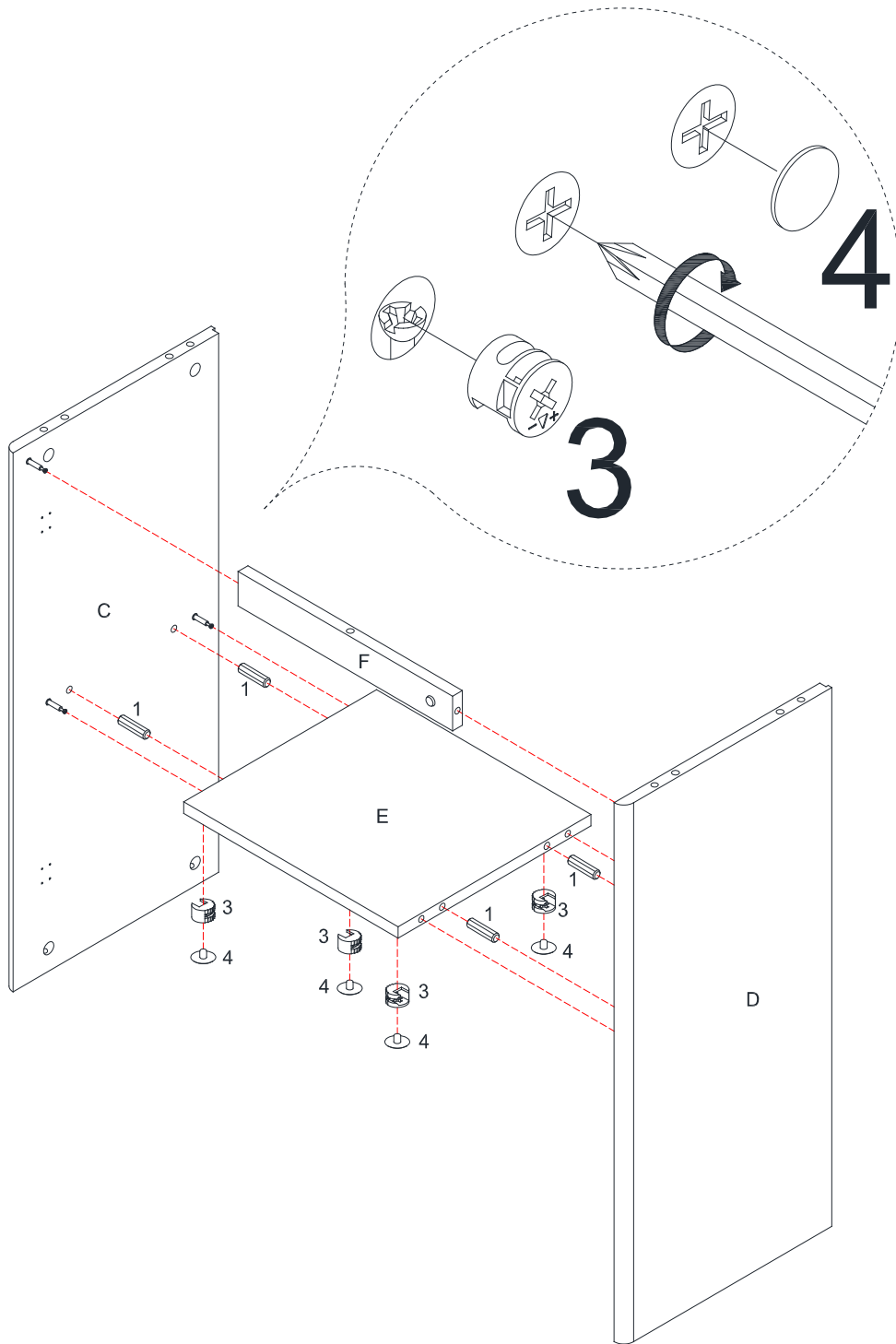
Assembly | Asambla | Assemblage

2



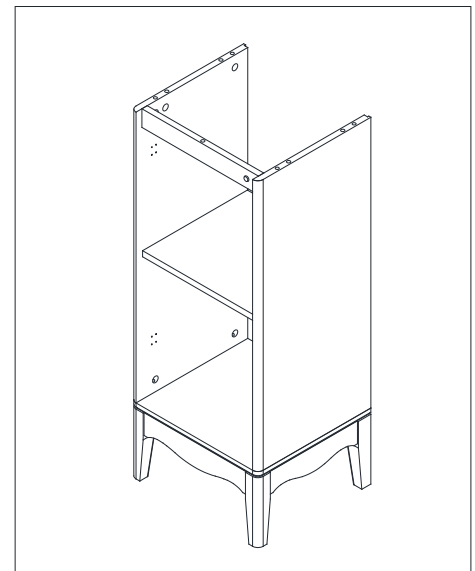
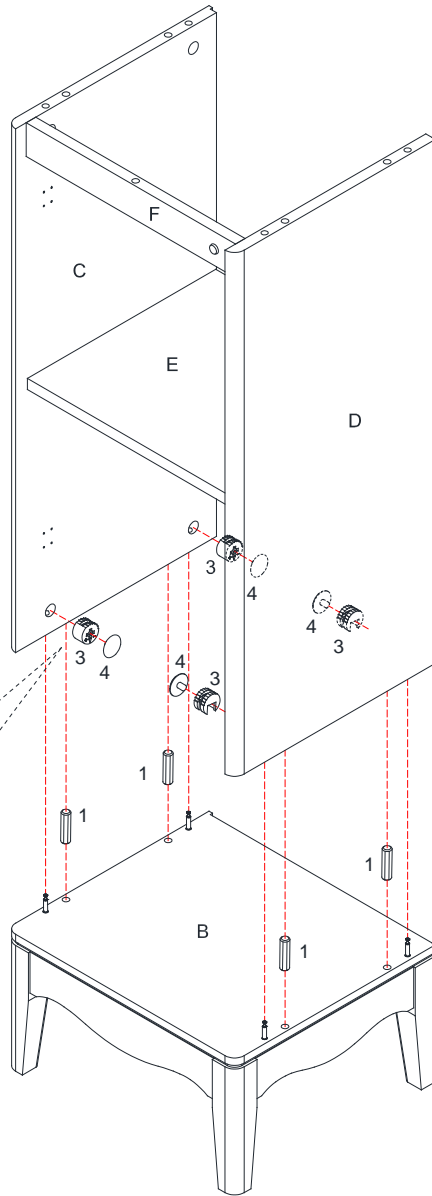
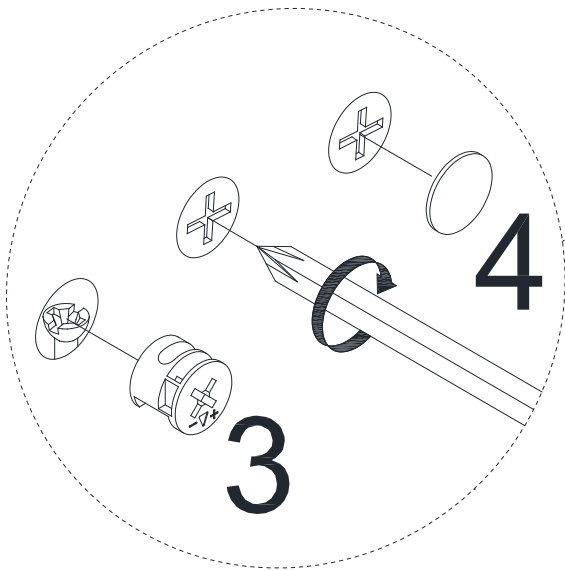
Assembly | Asambla | Assemblage

3



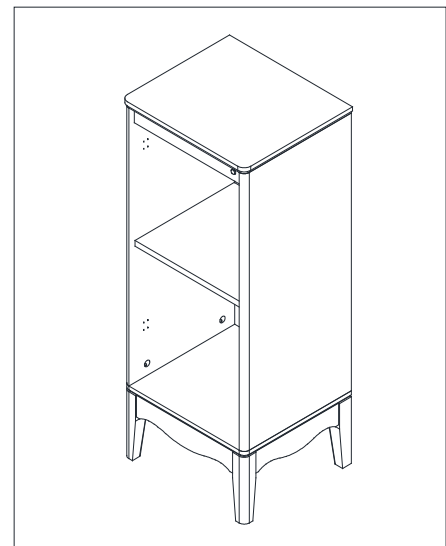
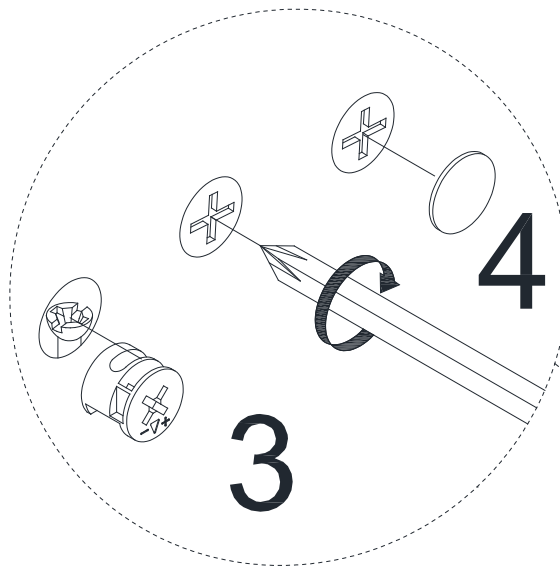
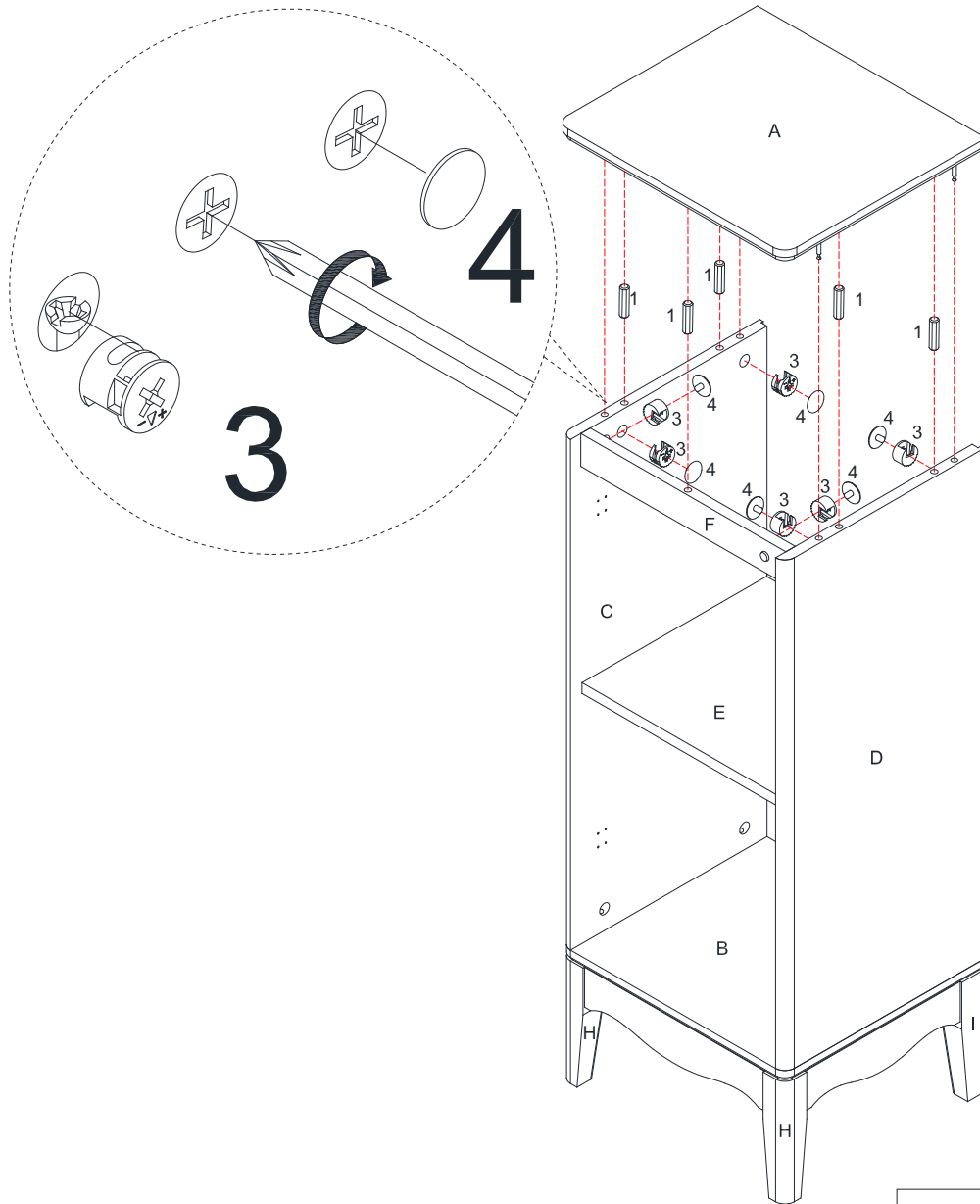
Assembly | Asambla | Assemblage

4



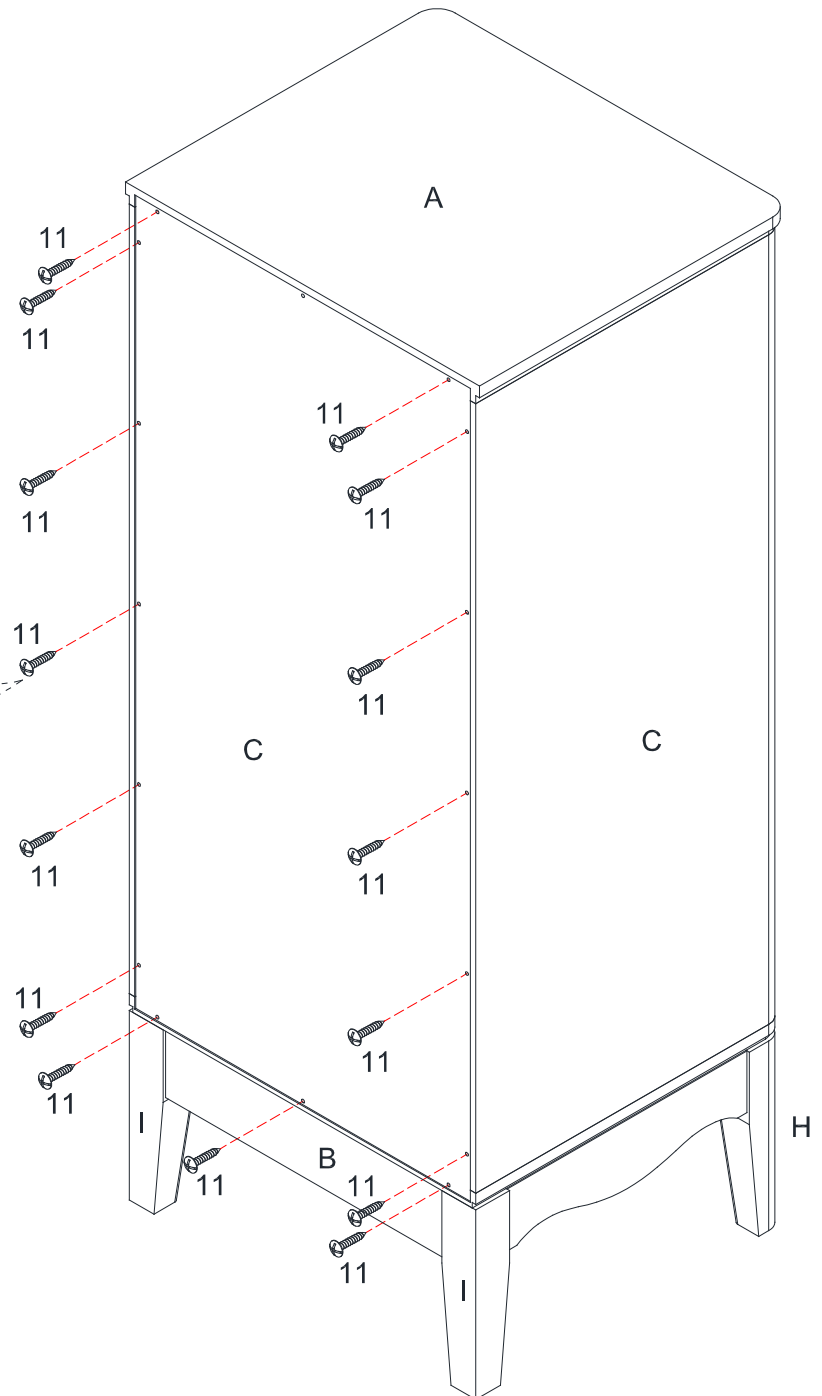
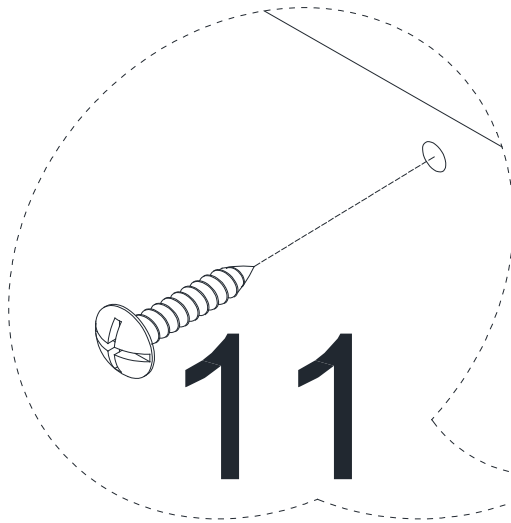
Assembly | Asambla | Assemblage

5



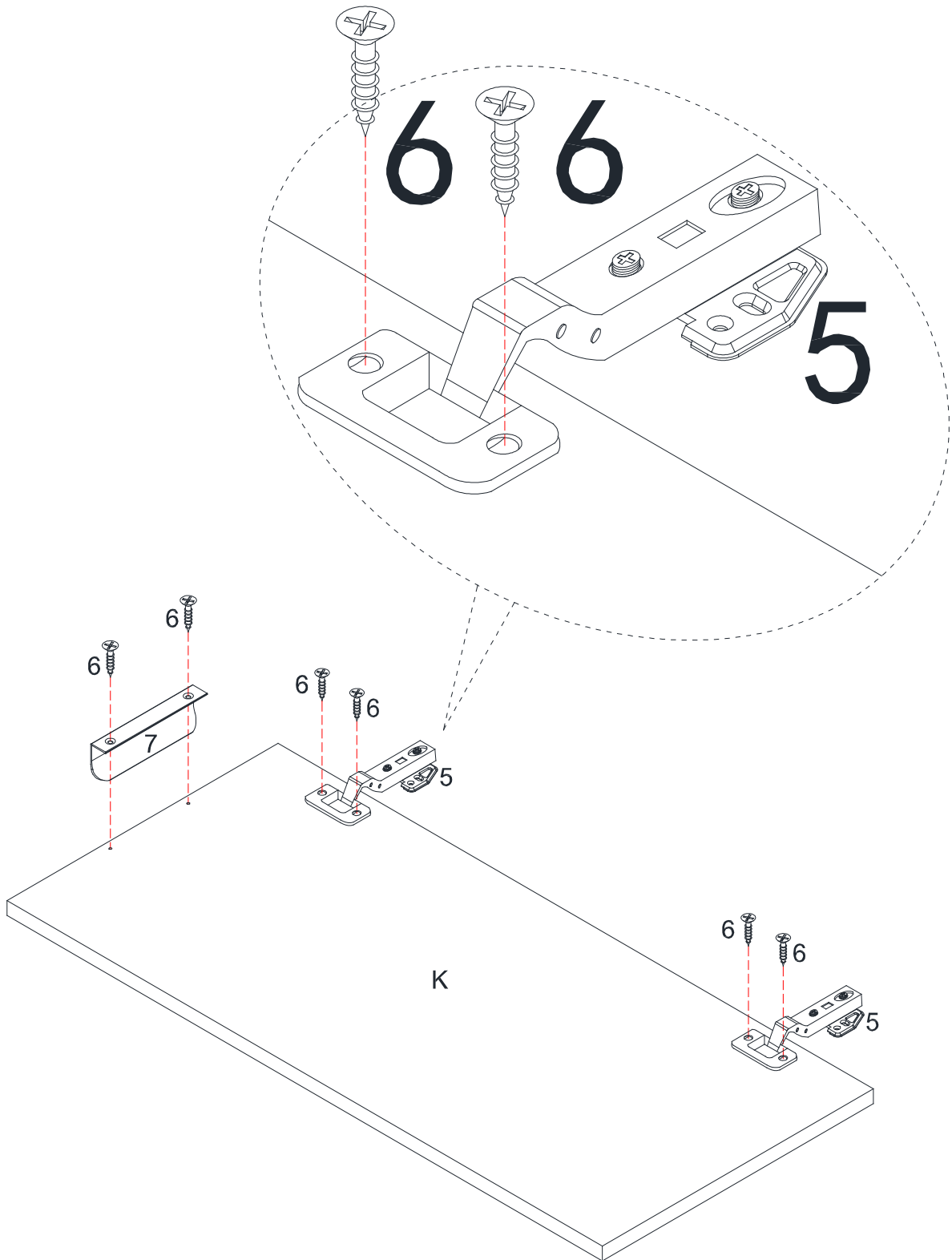
Assembly | Asambla | Assemblage

6



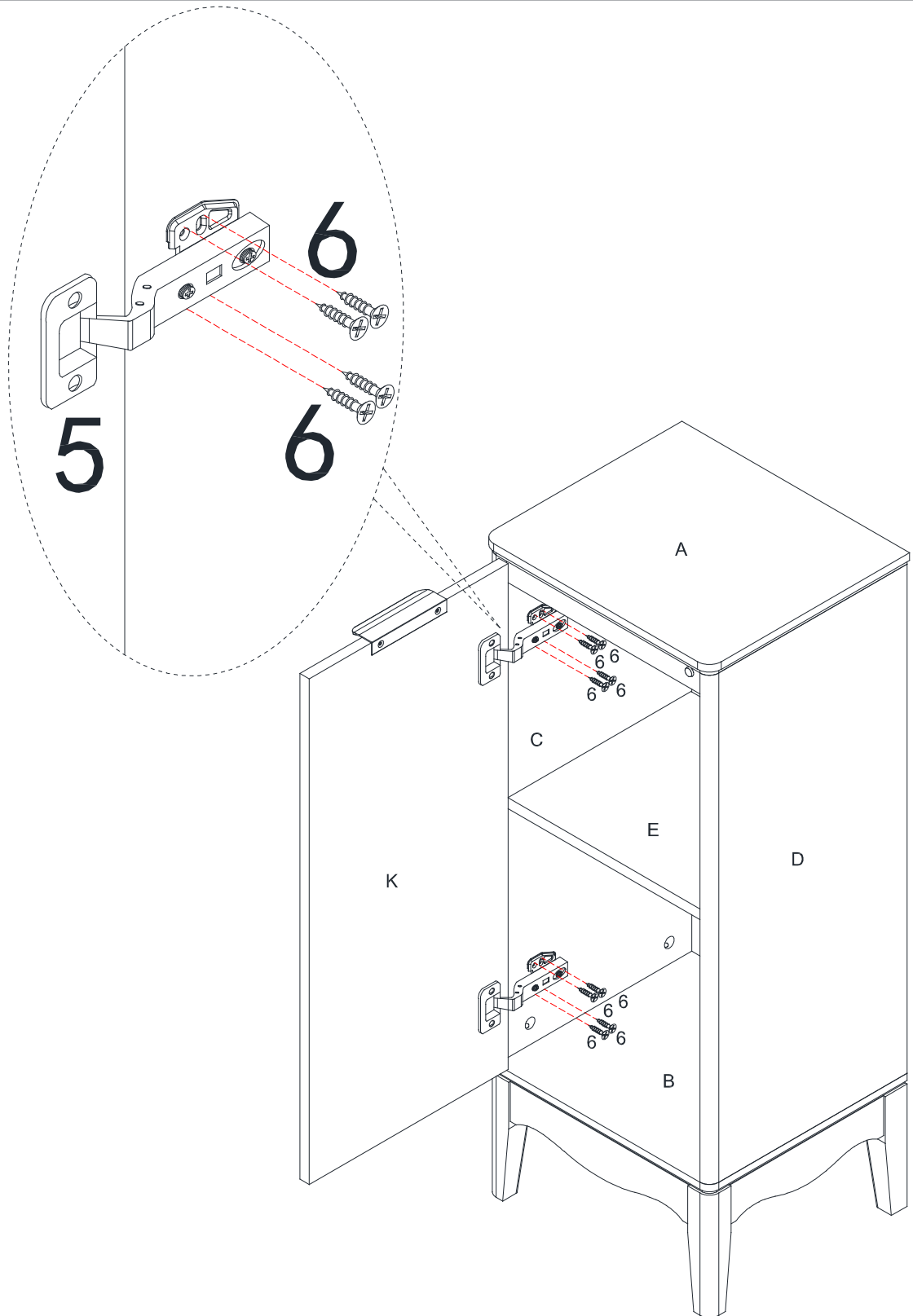
Assembly | Asambla | Assemblage

7



Assembly | Asambla | Assemblage

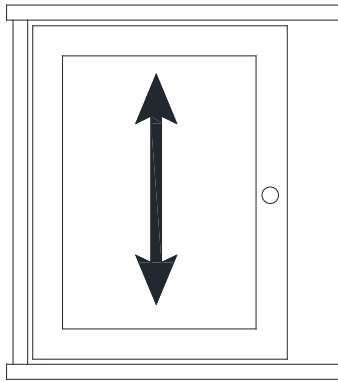
8



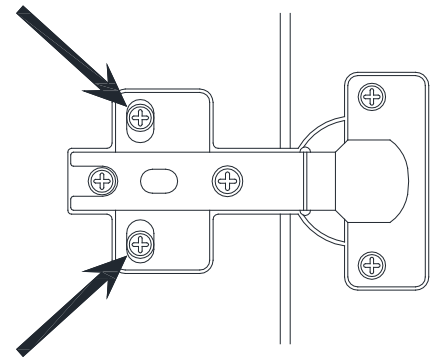
Assembly | Asambla | Assemblage

9

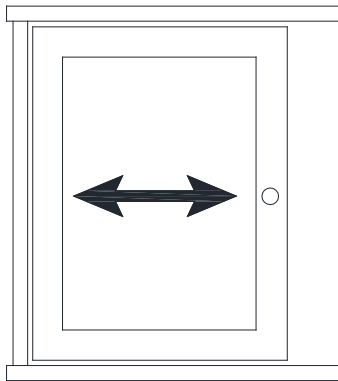
FRONT VIEW



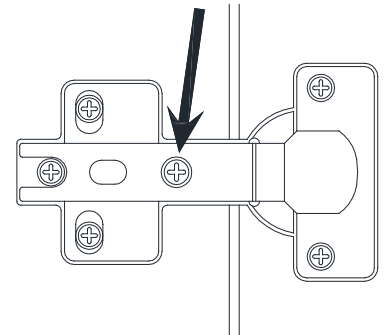
UP AND DOWN
Use screws to adjust the gaps at the top and bottom of door.



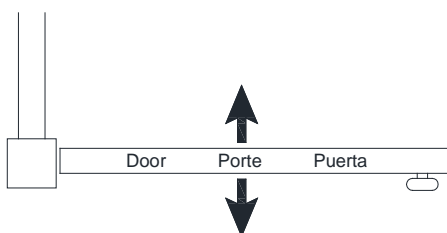
FRONT VIEW



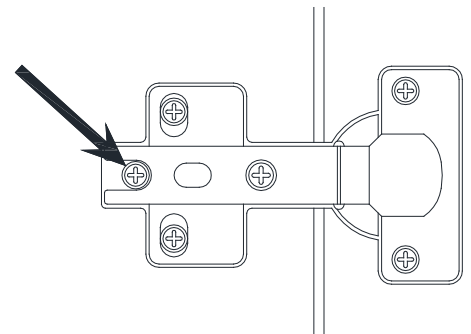
LEFT AND RIGHT
Use screw to adjust the gaps at left and right of the door.



TOP VIEW


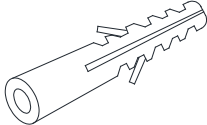

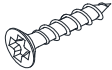
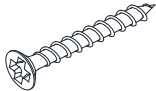
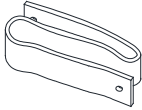


IN AND OUT
Use screw to move the door in or out.



Assembly | Asambla | Assemblage

10

#12	A	B	C	D	E
					
Safety Strap Kit	Anchor	Washer	Short Screw	Long Screw	Safety Wall Strap
1 SET	1 PC	2 PCS	1 PC	1 PC	1 PC

