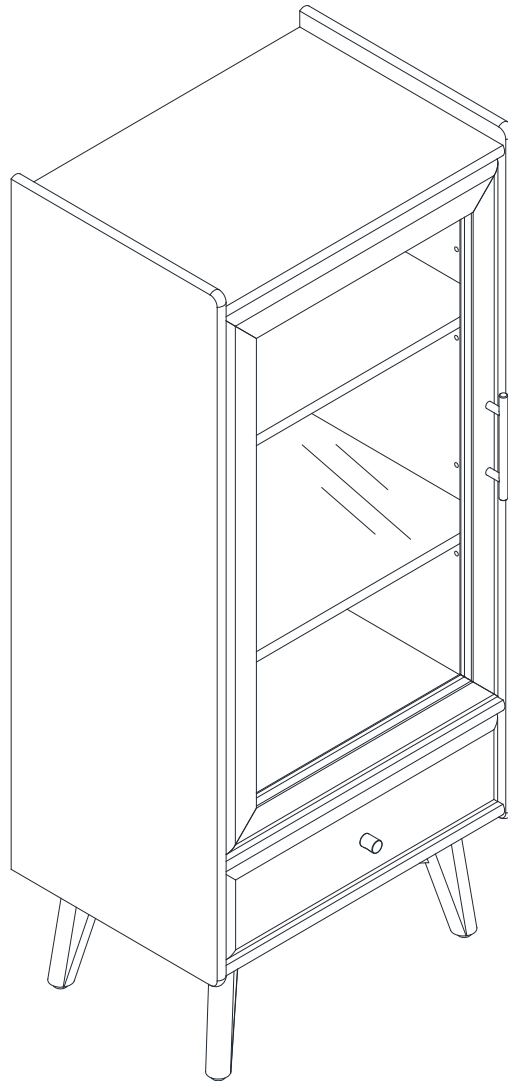


Assembly | Asamblea | Assemblage

PO



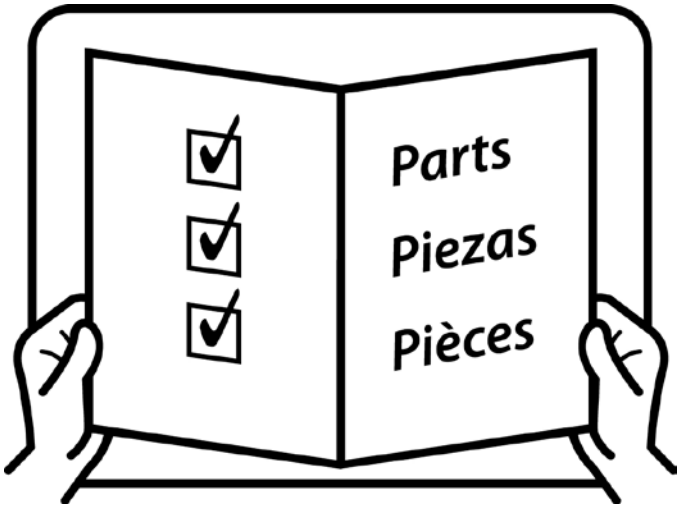
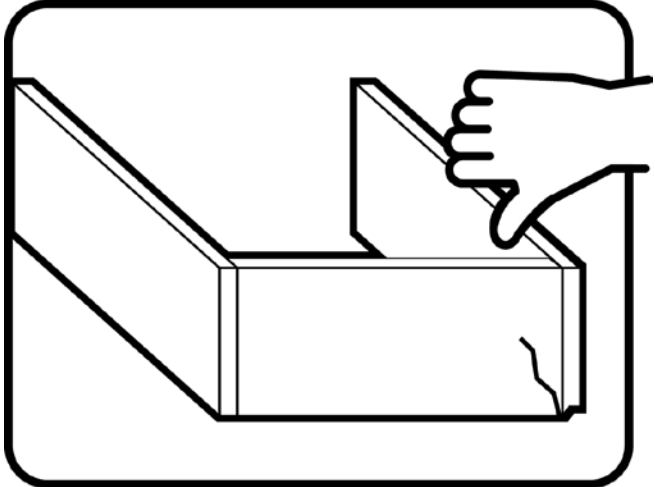
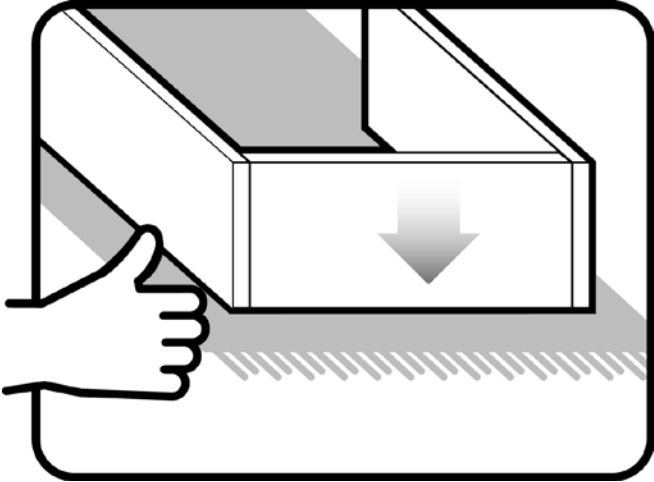
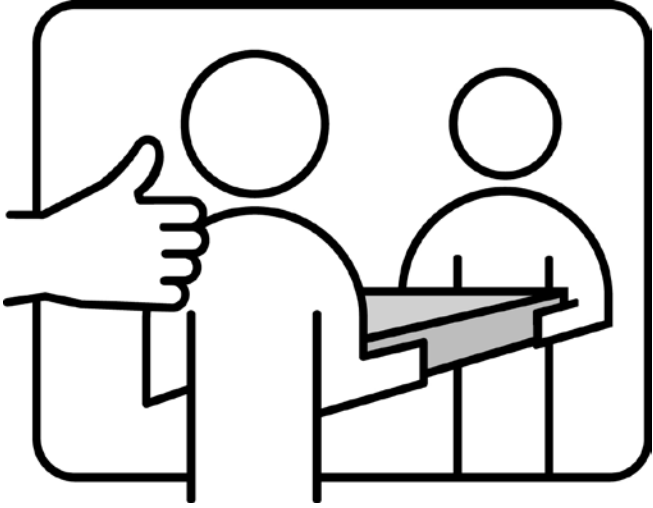
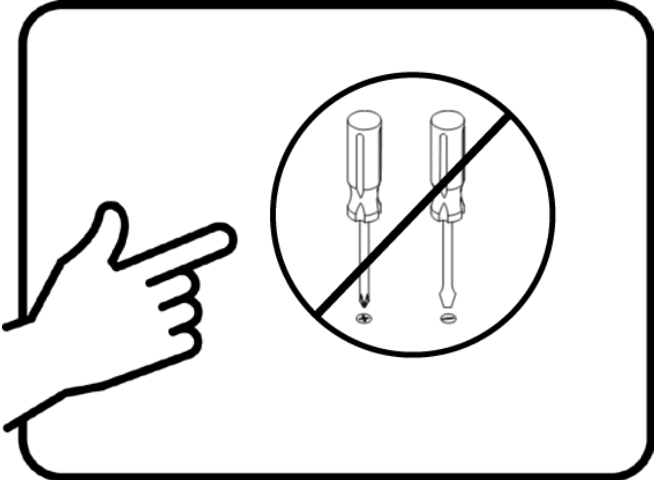
Product number | Número de producto | Numéro de produit

HYBT-FC-002

HYBT-FC-003

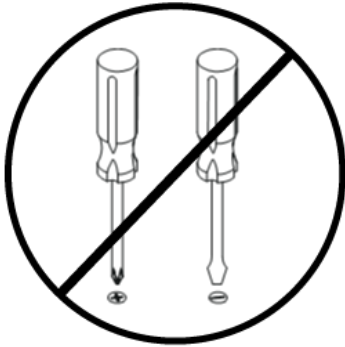
Thank you for your purchase! | ¡Gracias por tu compra! | Merci pour votre achat!

Assembly | Asamblea | Assemblage



Assembly | Asamblea | Assemblage

Techniques | Técnicas | Techniques



Care | Cuidado | Entretien



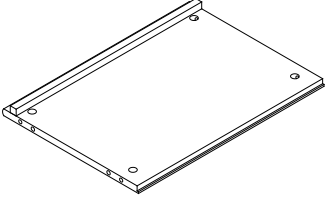
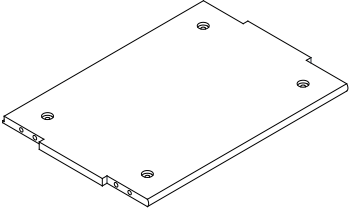
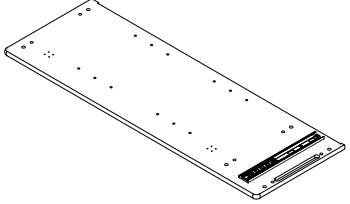
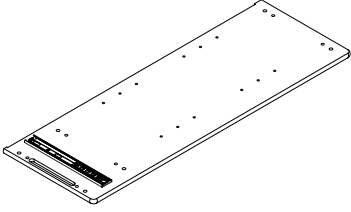
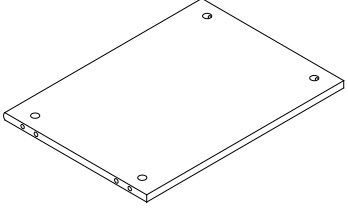
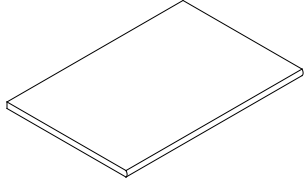
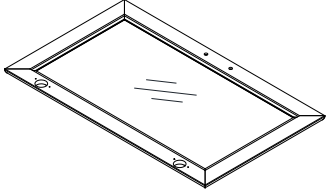
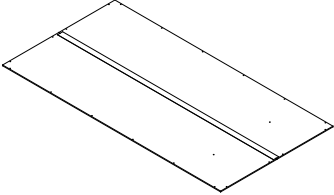
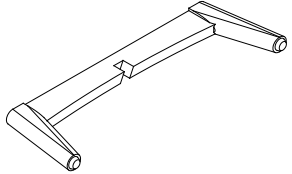
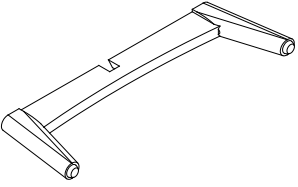
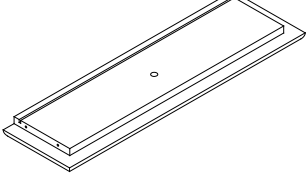
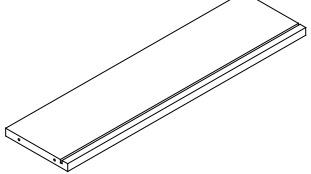
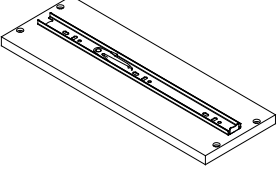
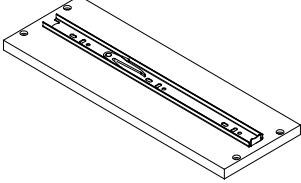
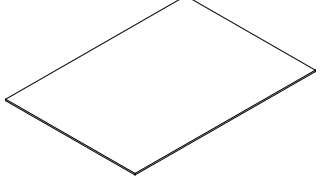
Safety | Seguridad | Sécurité



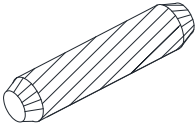
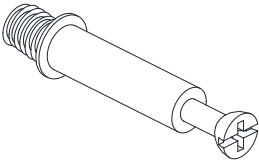
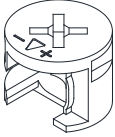
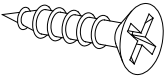
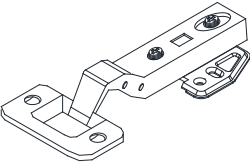
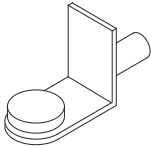
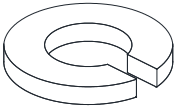
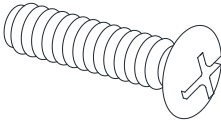
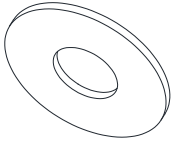
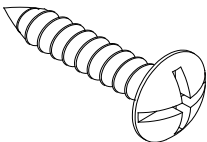
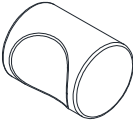
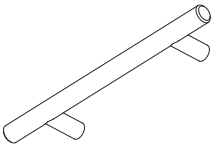
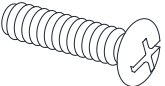
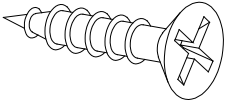
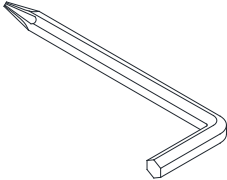
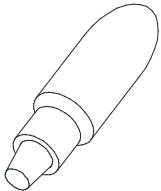
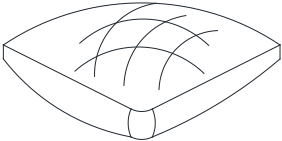
Note! | ¡Nota! | Remarque!



Assembly | Asambla | Assemblage

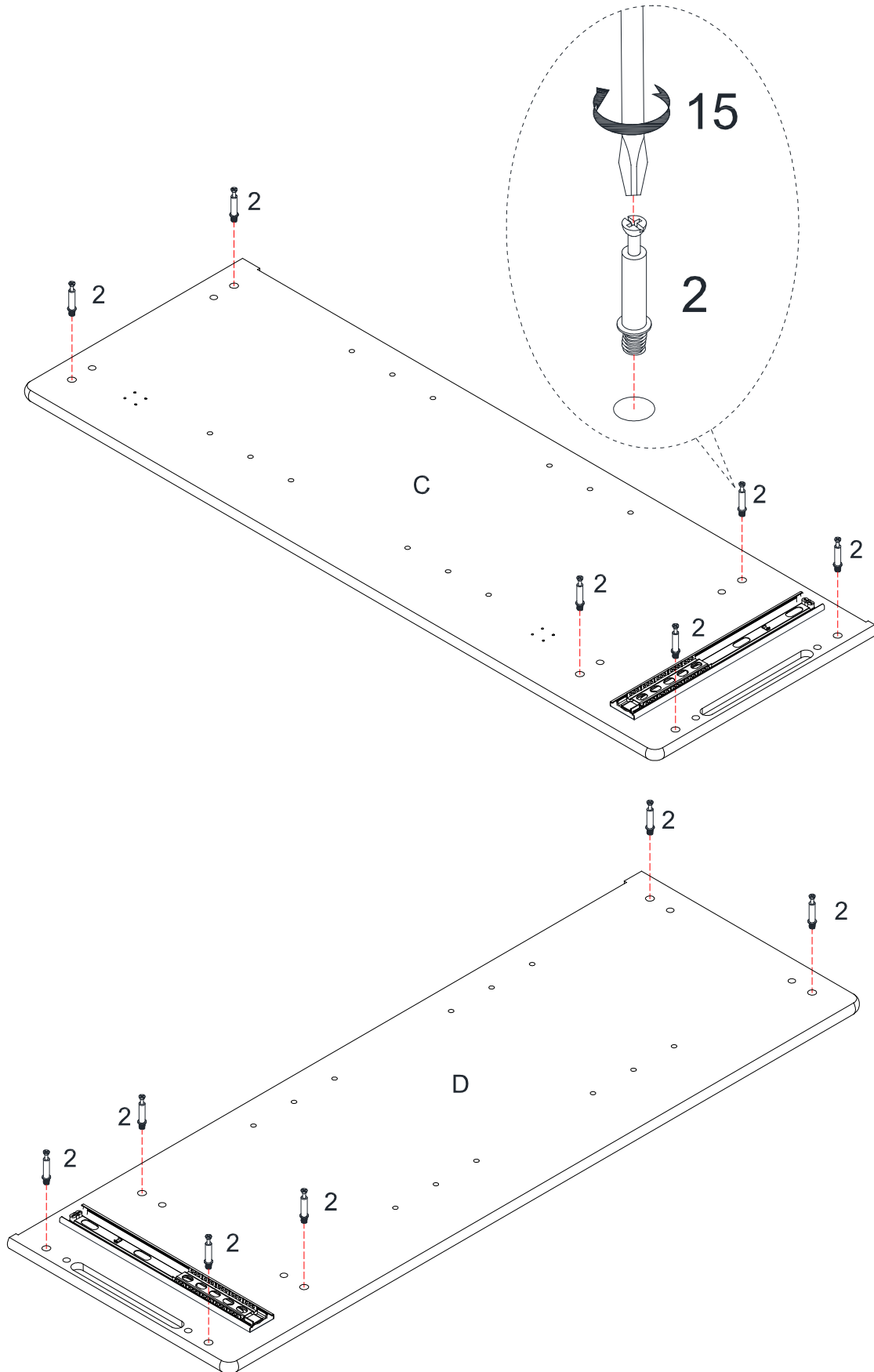
<p>A x1</p>  <p>Top Panel</p>	<p>B x1</p>  <p>Bottom Panel</p>	<p>C x1</p>  <p>Left Side Panel</p>
<p>D x1</p>  <p>Right Side Panel</p>	<p>E x1</p>  <p>Fixed Shelf</p>	<p>F x2</p>  <p>Adjustable Shelf</p>
<p>G x1</p>  <p>Door</p>	<p>H x1</p>  <p>Back Panel</p>	<p>I x1</p>  <p>Front Leg</p>
<p>J x1</p>  <p>Black Leg</p>	<p>K x1</p>  <p>Drawer Front Panel</p>	<p>L x1</p>  <p>Drawer Back Panel</p>
<p>M x1</p>  <p>Drawer Left Panel</p>	<p>N x1</p>  <p>Drawer Right Panel</p>	<p>O x1</p>  <p>Drawer Bottom Panel</p>

Assembly | Asamblea | Assemblage

1	x12	2	x12	3	x12
					
Wood Dowel		Cam Bolt		Cam Lock	
4	x12	5	x2	6	x8
					
Screw $\phi 3 * 12 \text{mm}$		Hinge		Shelf Holder	
7	x4	8	x4	9	x4
					
Spring Washer		Bolt $1/4" * 1"$		Flat Washer $\phi 1/4" * 16$	
10	x21	11	x1	12	X1
					
Screw $\phi 3 * 12 \text{mm}$		Handle		Handle	
13	X3	14	X8	15	X1
					
Bolt $5/32" * 1"$		Screw $\phi 4 * 25 \text{mm}$		Allen Wrench	
16	X1	17	X1		
					
Glue		Safety Strap Kit			

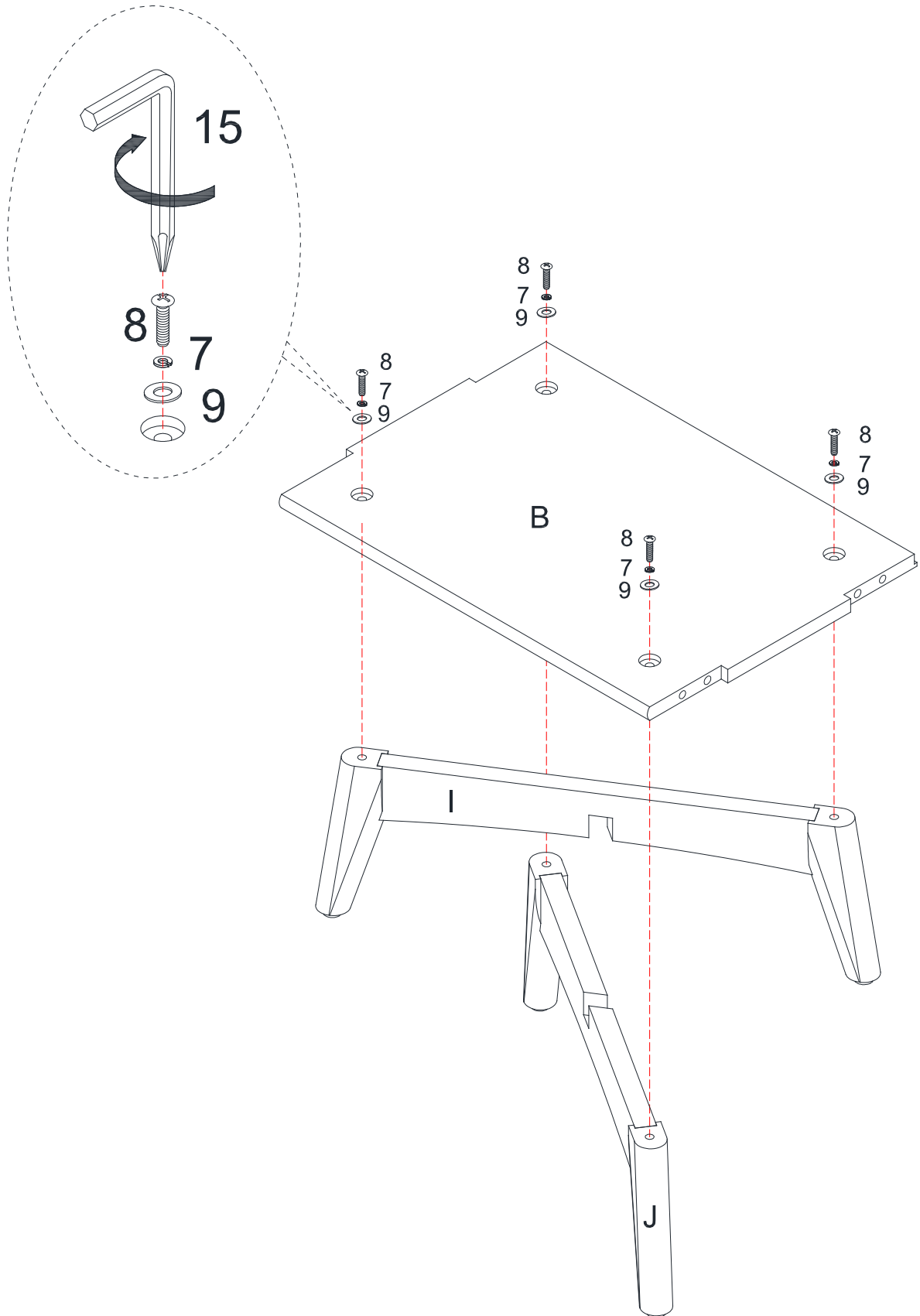
Assembly | Asambla | Assemblage

1



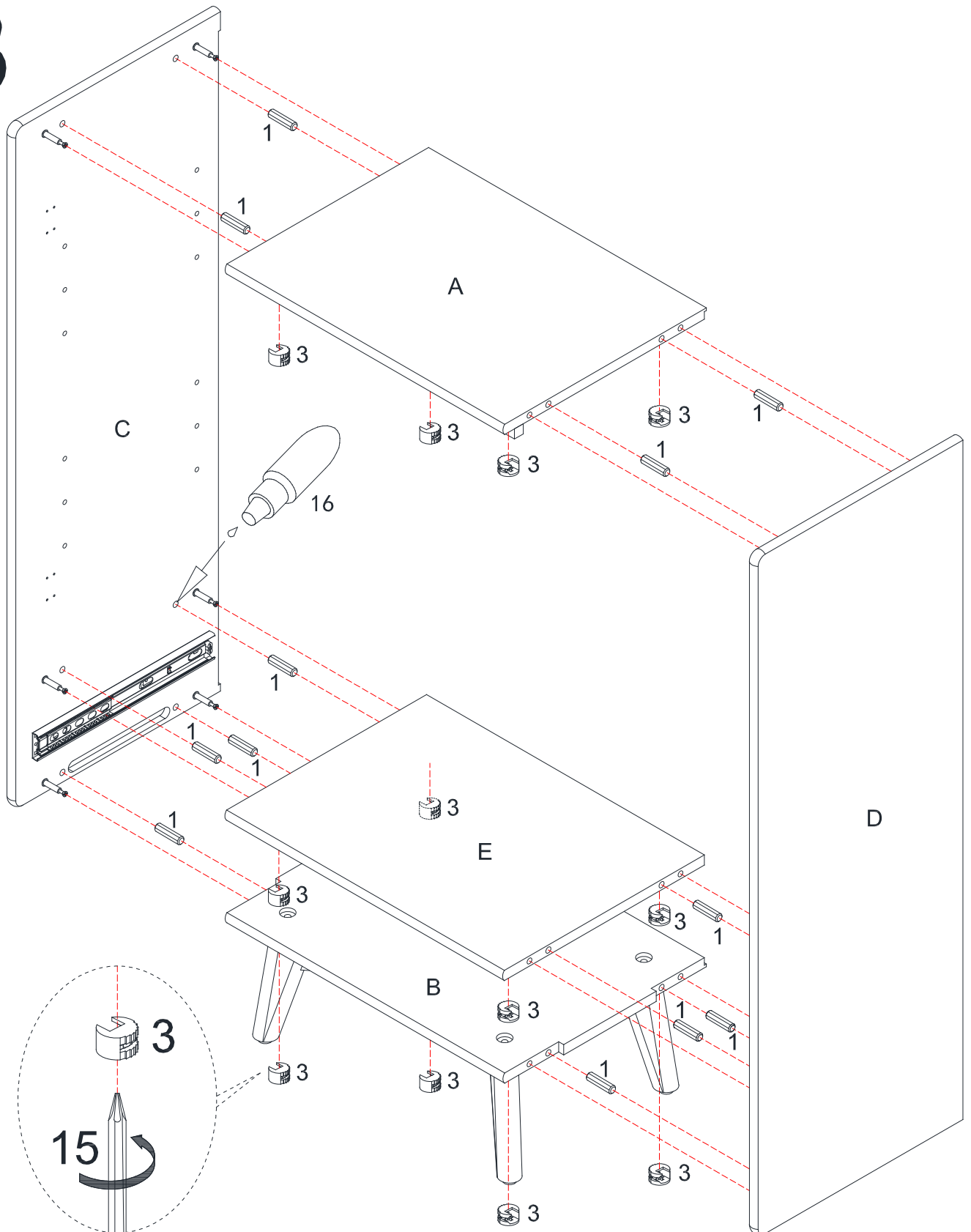
Assembly | Asambla | Assemblage

2



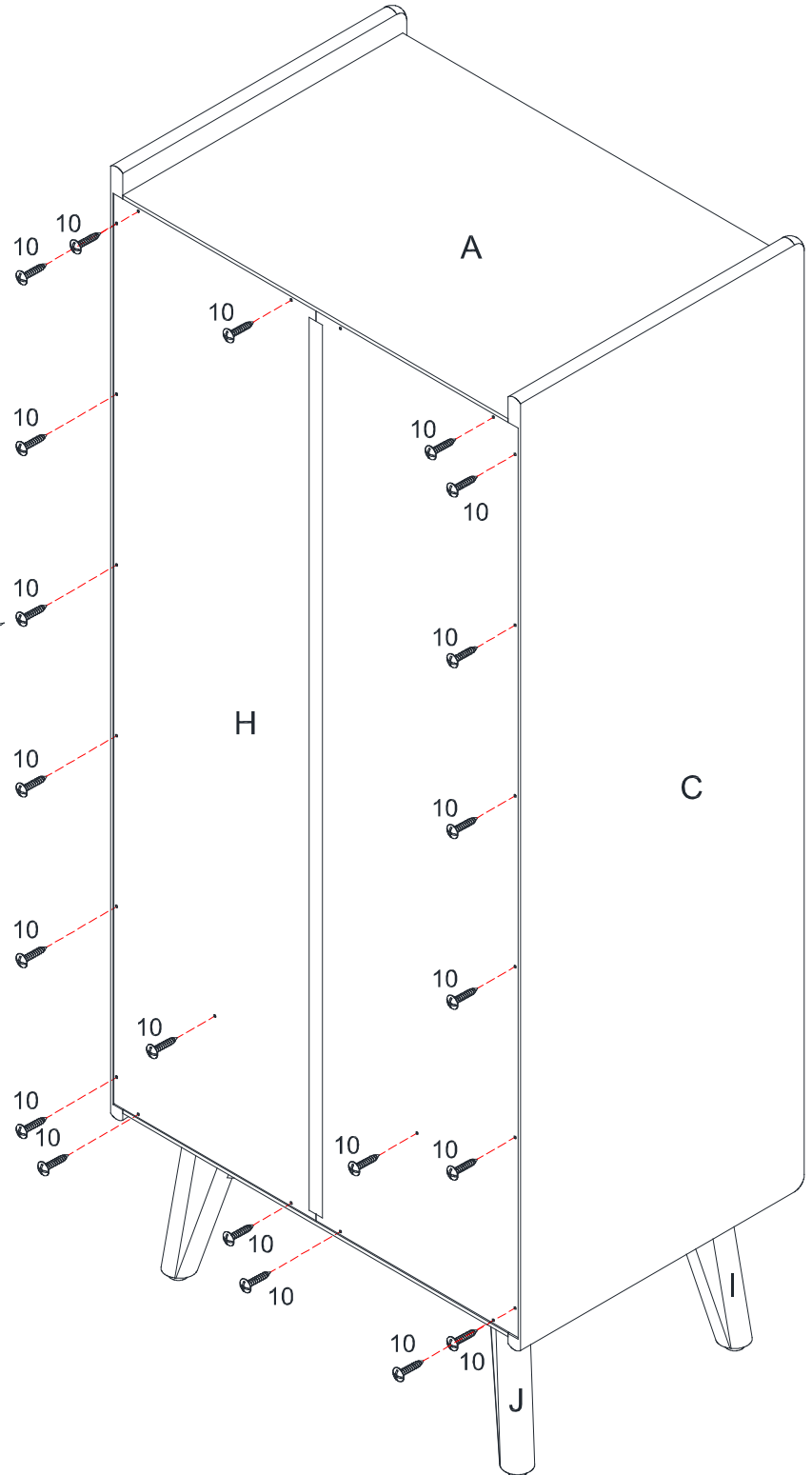
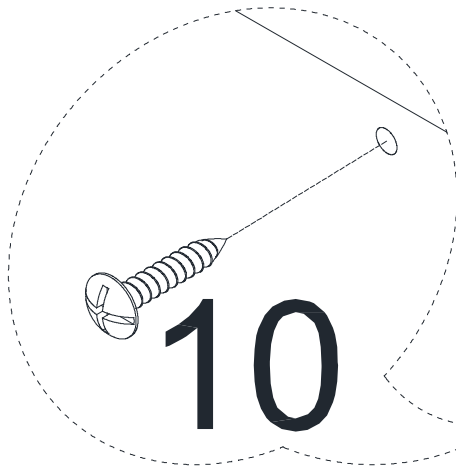
Assembly | Asambla | Assemblage

3



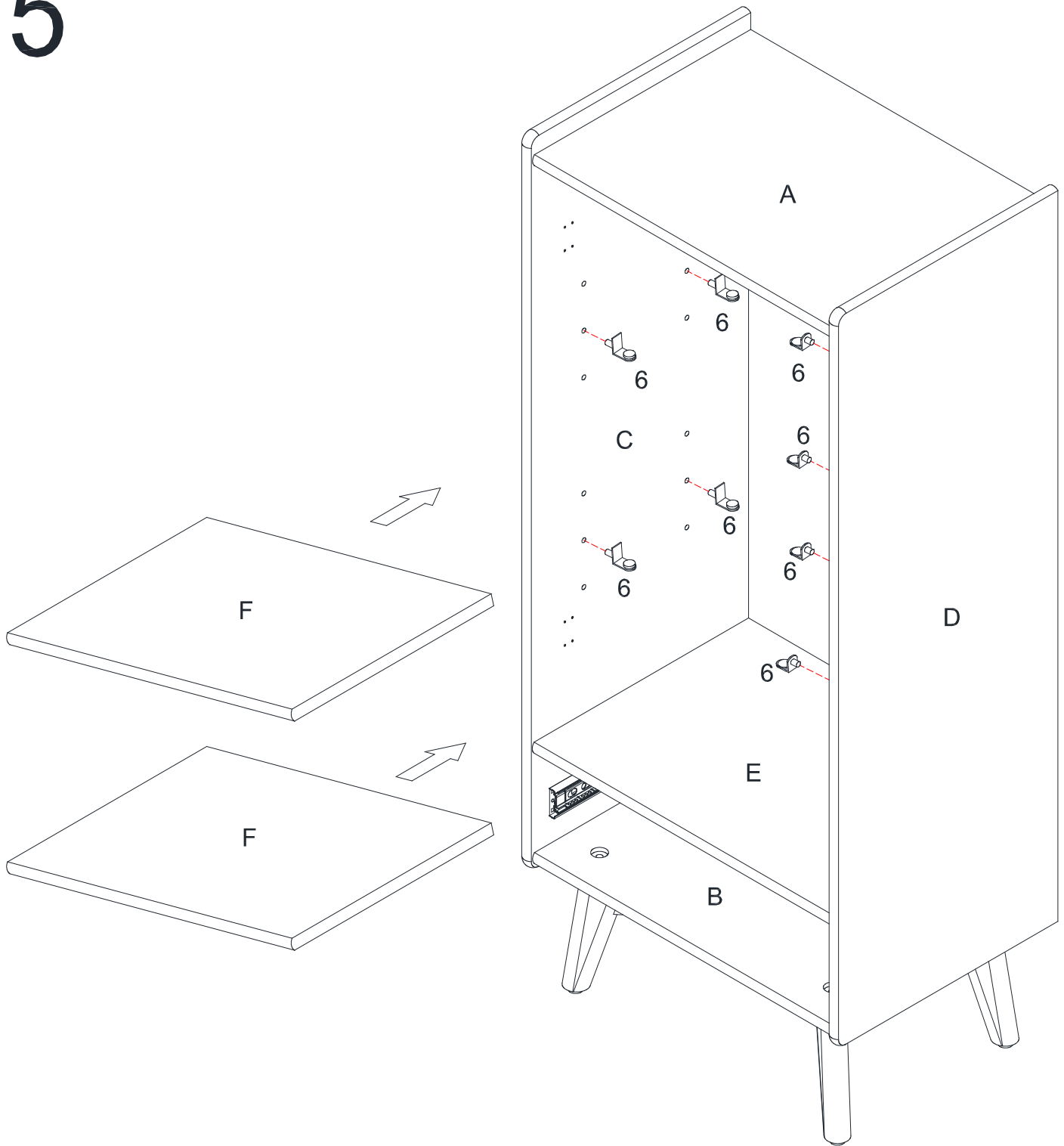
Assembly | Asambla | Assemblage

4



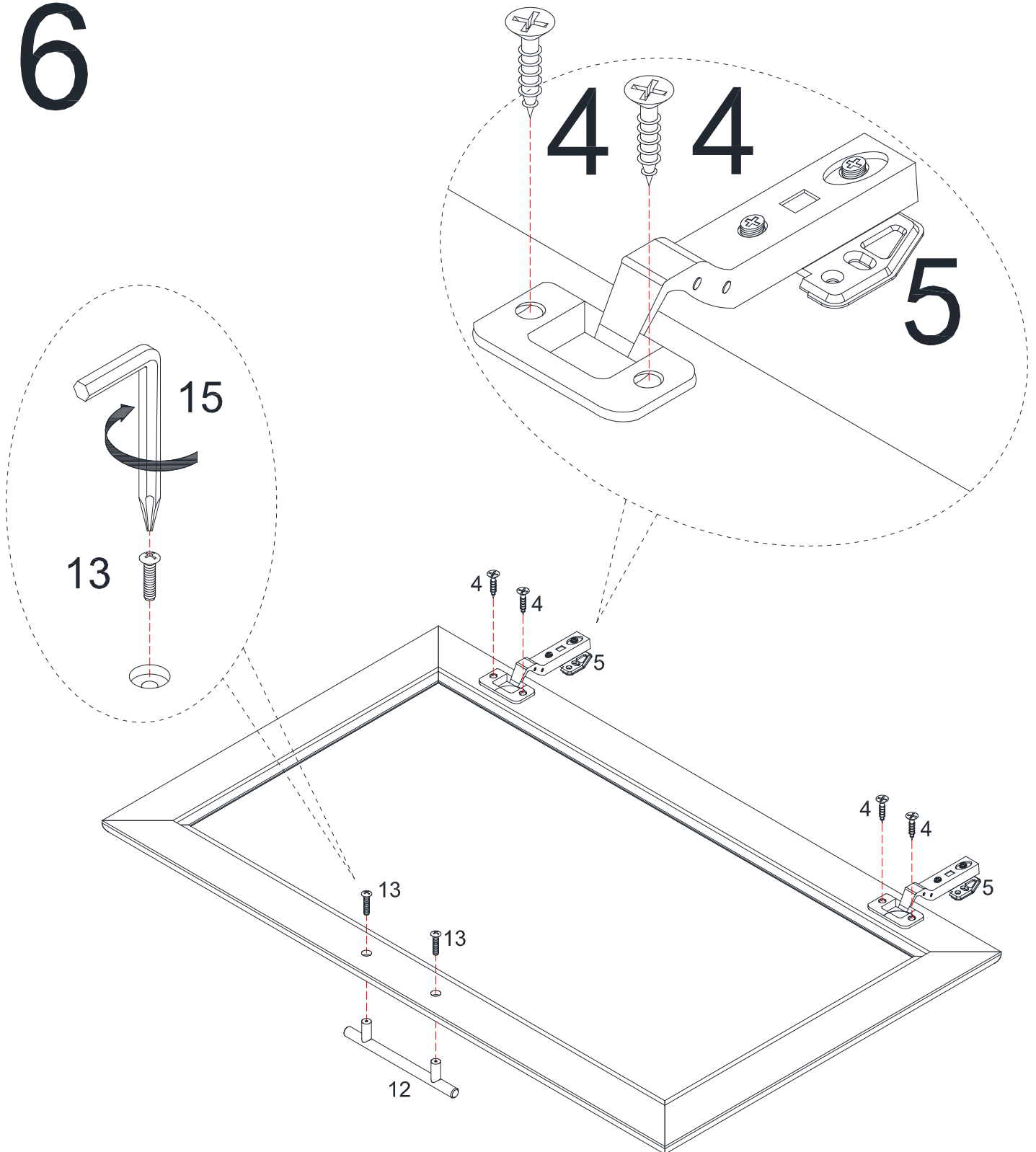
Assembly | Asambla | Assemblage

5



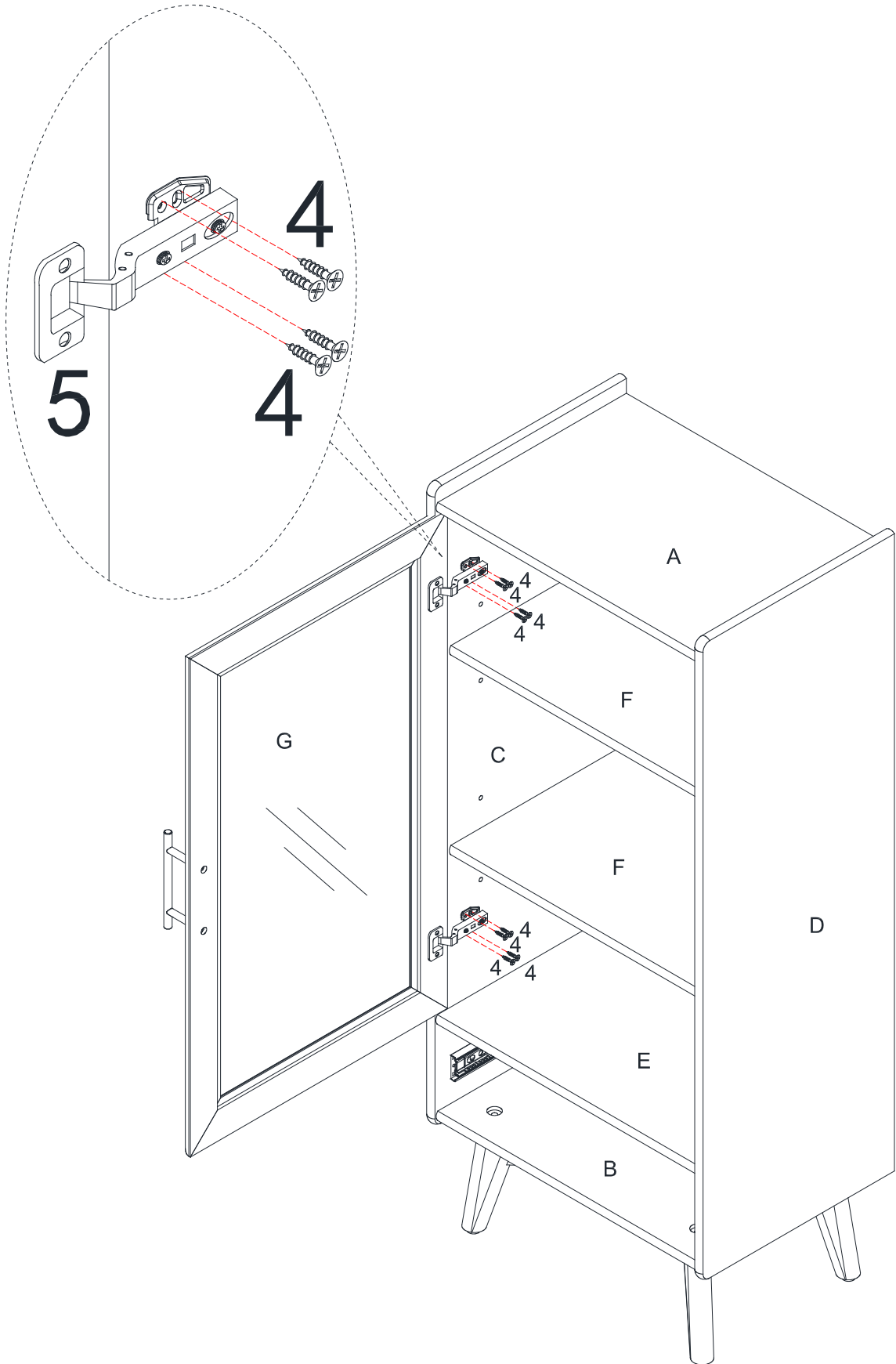
Assembly | Asambla | Assemblage

6



Assembly | Asambla | Assemblage

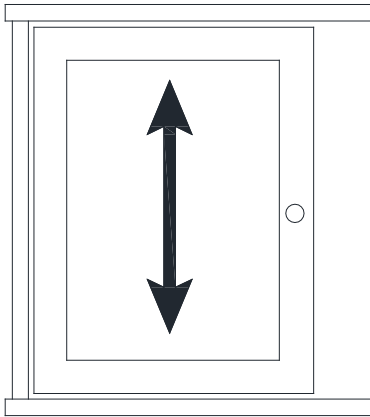
7



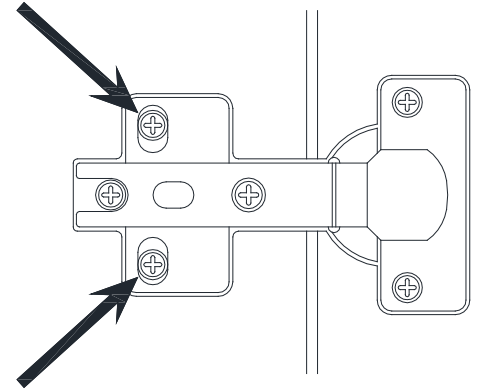
Assembly | Asambla | Assemblage

8

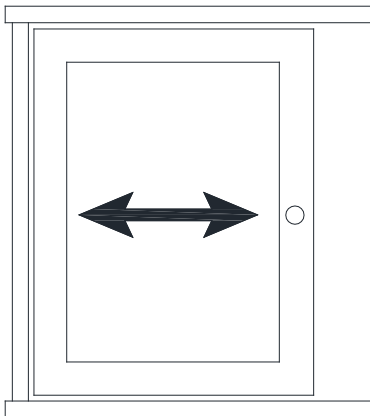
FRONT VIEW



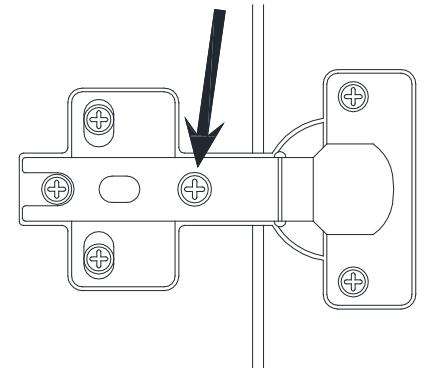
UP AND DOWN
Use screws to adjust the gaps at the top and bottom of door.



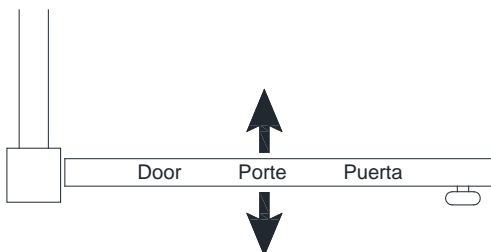
FRONT VIEW



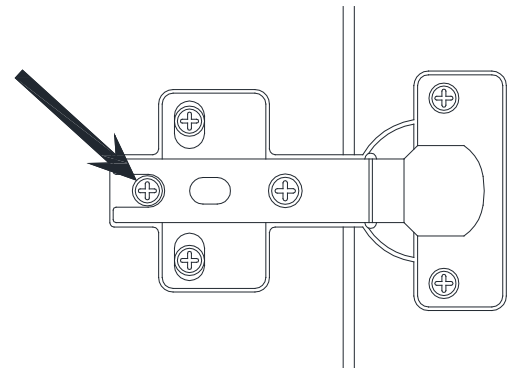
LEFT AND RIGHT
Use screw to adjust the gaps at left and right of the door.



TOP VIEW

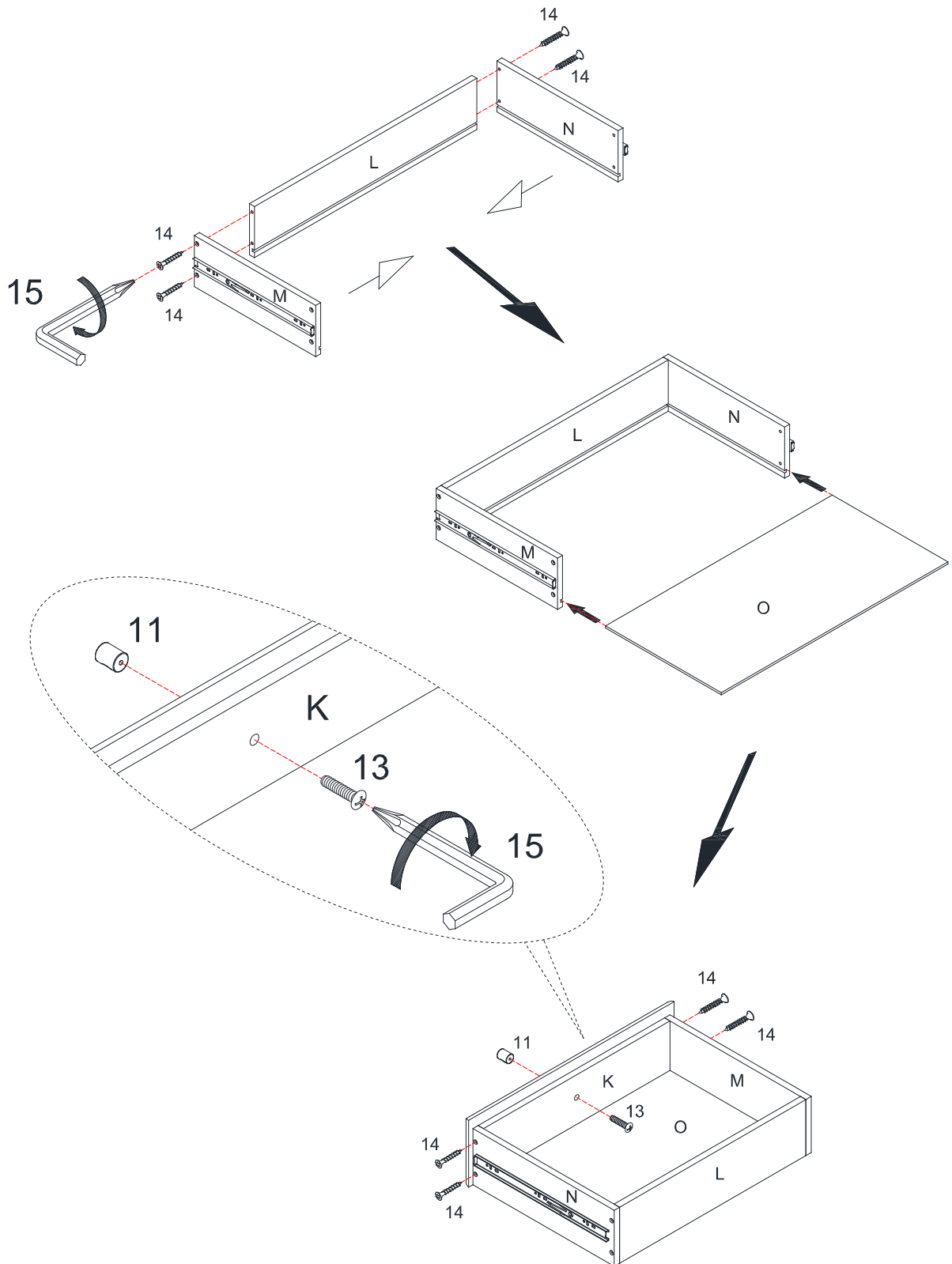


IN AND OUT
Use screw to move the door in or out.



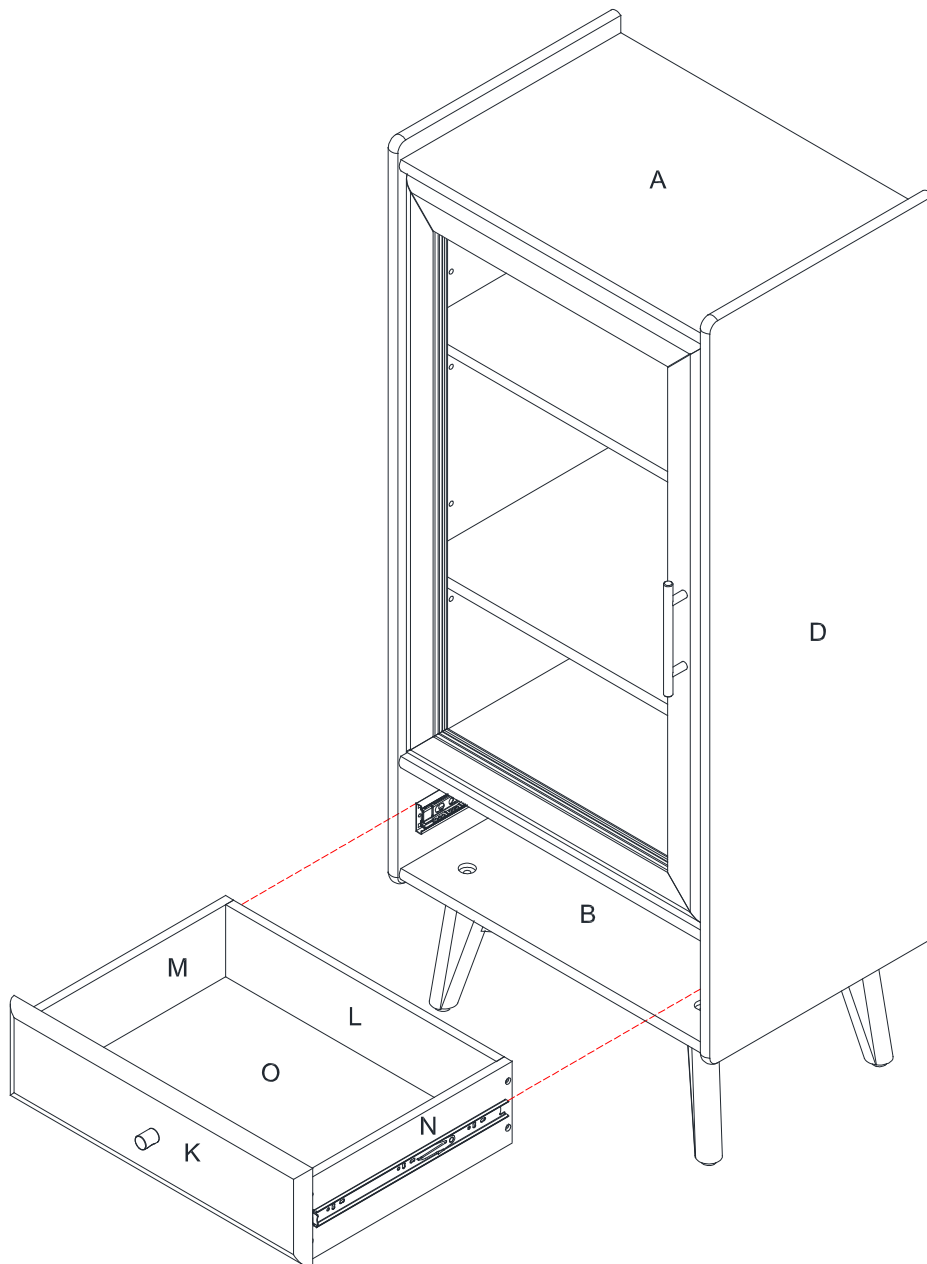
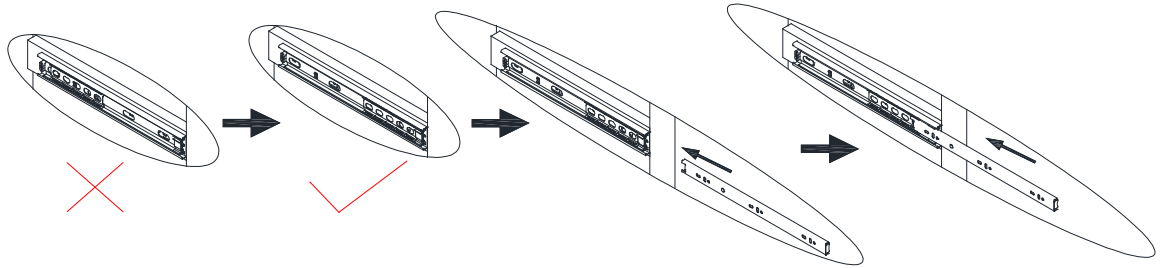
Assembly | Asambla | Assemblage

9




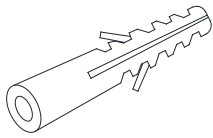

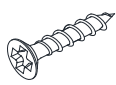
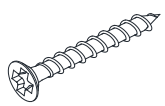
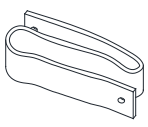
Assembly | Asambllea | Assemblage

10



Assembly | Asambla | Assemblage

11

#17	A	B	C	D	E
					
Safety Strap Kit	Anchor	Washer	Short Screw	Long Screw	Safety Wall Strap
1 SET	1 PC	2 PCS	1 PC	1 PC	1 PC

