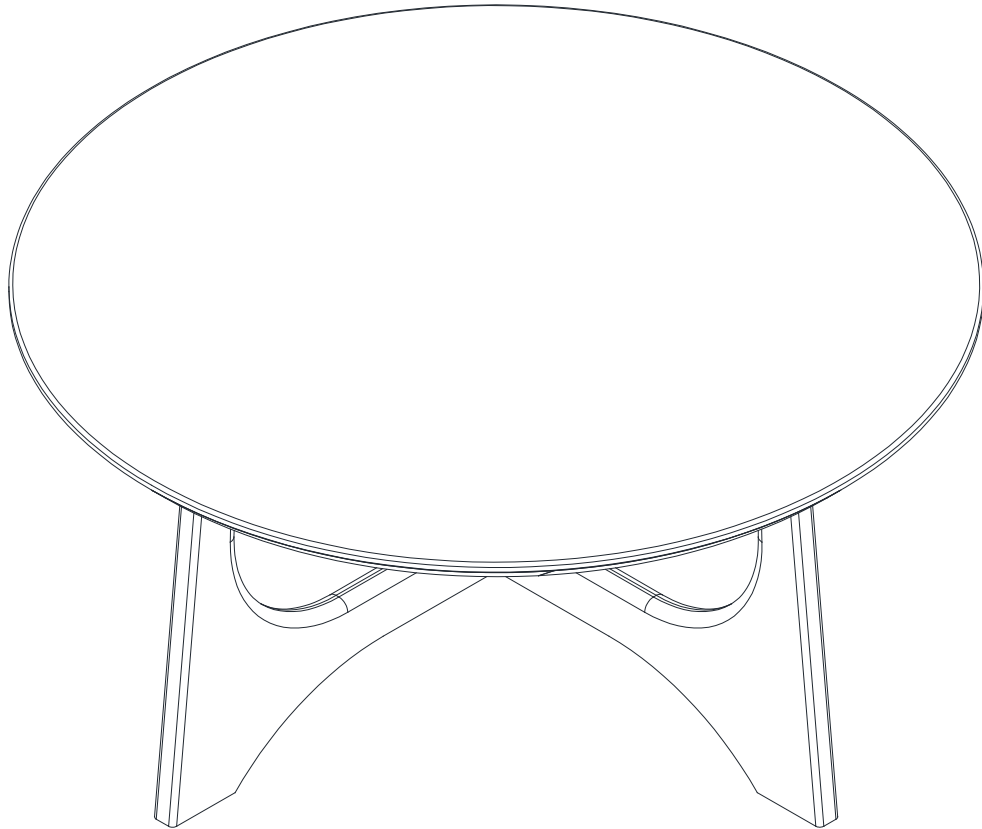


Assembly | Asamblea | Assemblage

PO

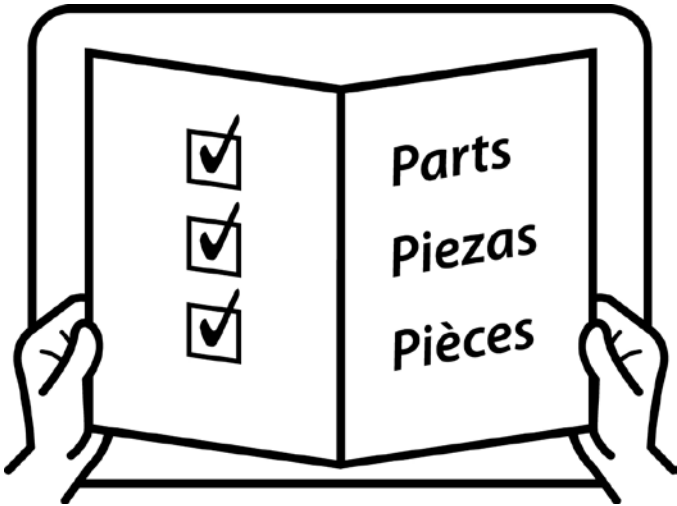
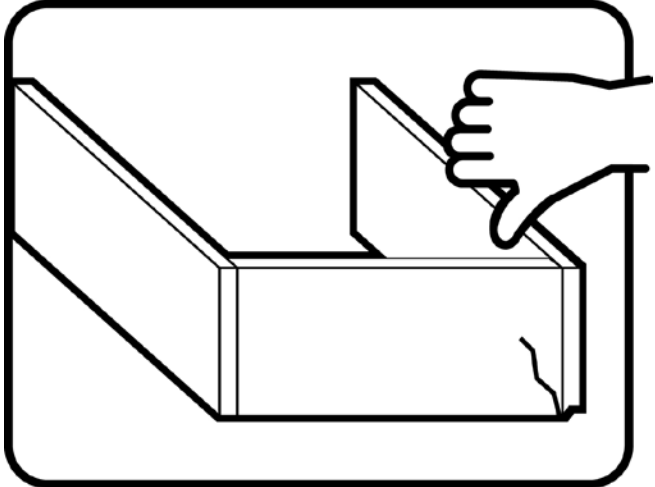
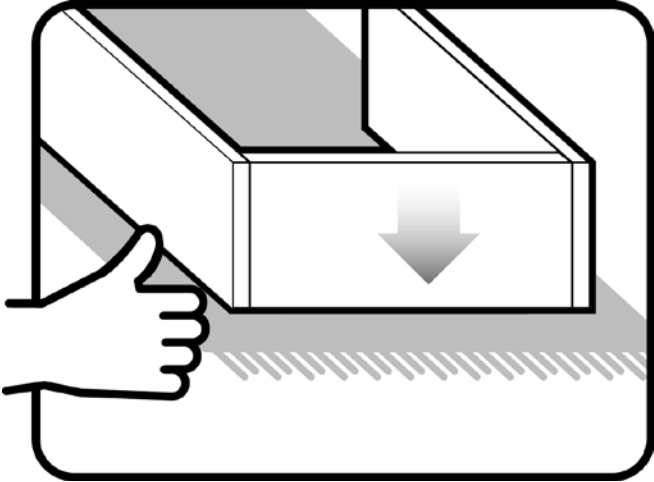
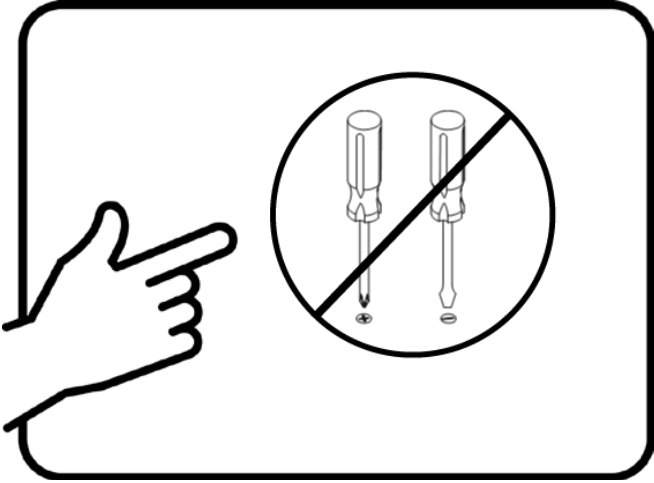


Product number | Número de producto | Numéro de produit

HYCK-003

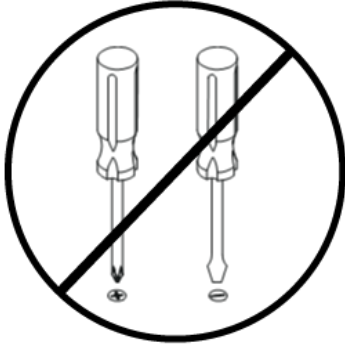
Thank you for your purchase! | ¡Gracias por tu compra! | Merci pour votre achat!

Assembly | Asamblea | Assemblage



Assembly | Asamblea | Assemblage

Techniques | Técnicas | Techniques



Care | Cuidado | Entretien



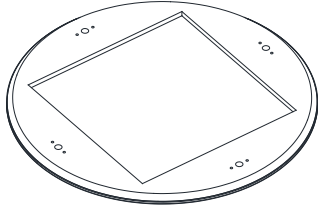
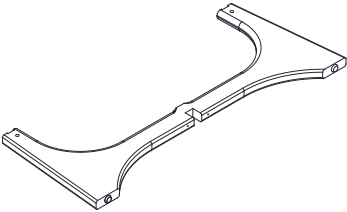
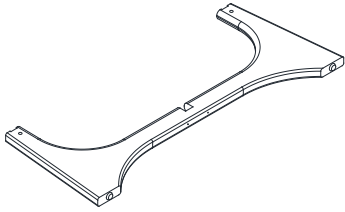
Safety | Seguridad | Sécurité

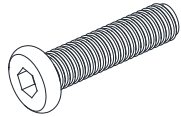
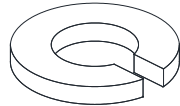
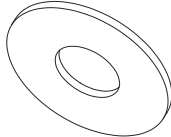
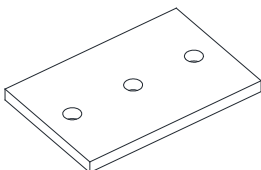
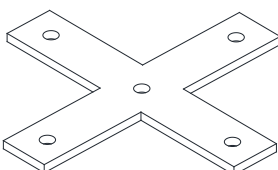
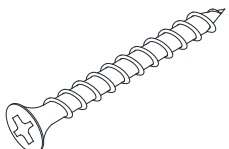
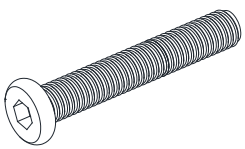
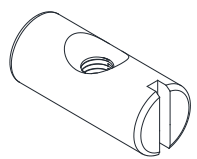
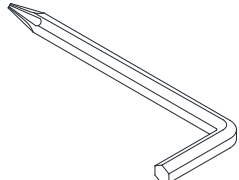


Note! | ¡Nota! | Remarque!



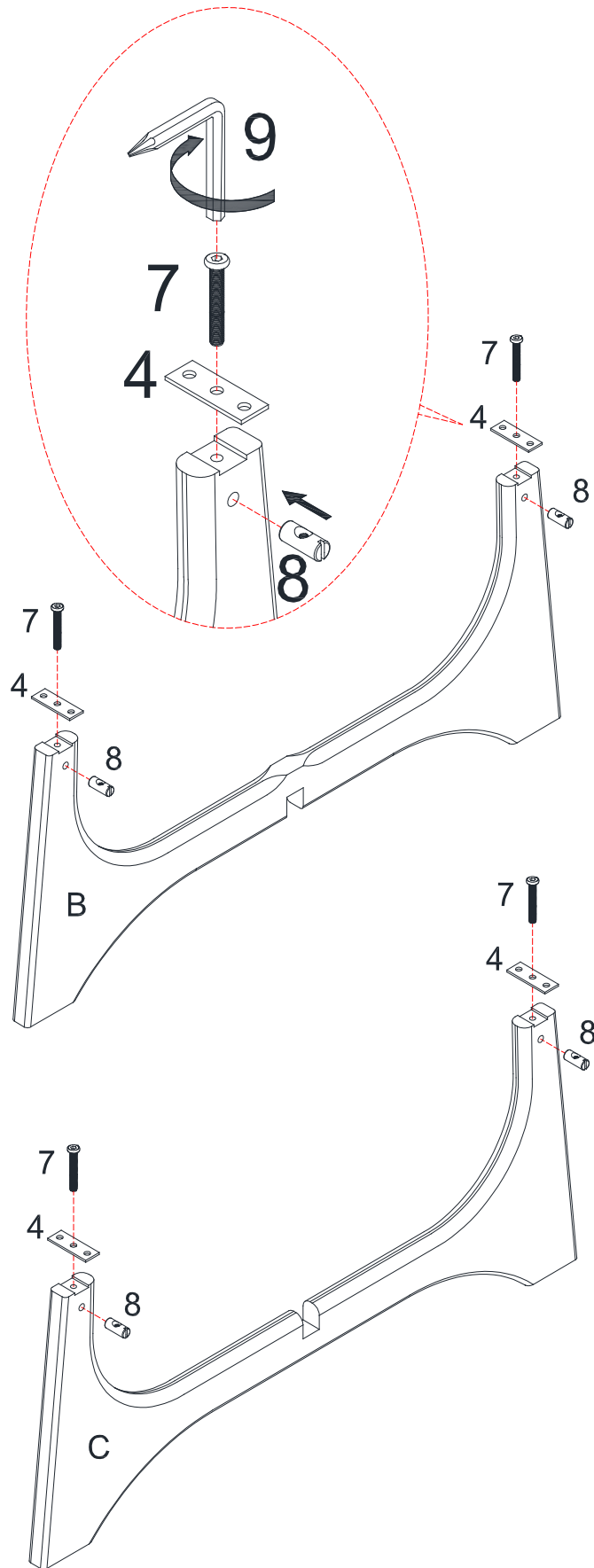
Assembly | Asamblea | Assemblage

<p>A x1</p>  <p>Top Panel</p>	<p>B x1</p>  <p>Front Leg</p>	<p>C x1</p>  <p>Black Leg</p>
---	---	---

<p>1 x8</p>  <p>Bolt 1/4"*3/4"</p>	<p>2 x8</p>  <p>Spring Washer</p>	<p>3 x8</p>  <p>Flat Washer φ1/4"*16</p>
<p>4 x4</p>  <p>Rectang Washer</p>	<p>5 x1</p>  <p>Cross Washer</p>	<p>6 x4</p>  <p>Screw φ4*22mm</p>
<p>7 x4</p>  <p>Bolt M6*40MM</p>	<p>8 x4</p>  <p>Nut</p>	<p>9 x1</p>  <p>Allen Wrench</p>

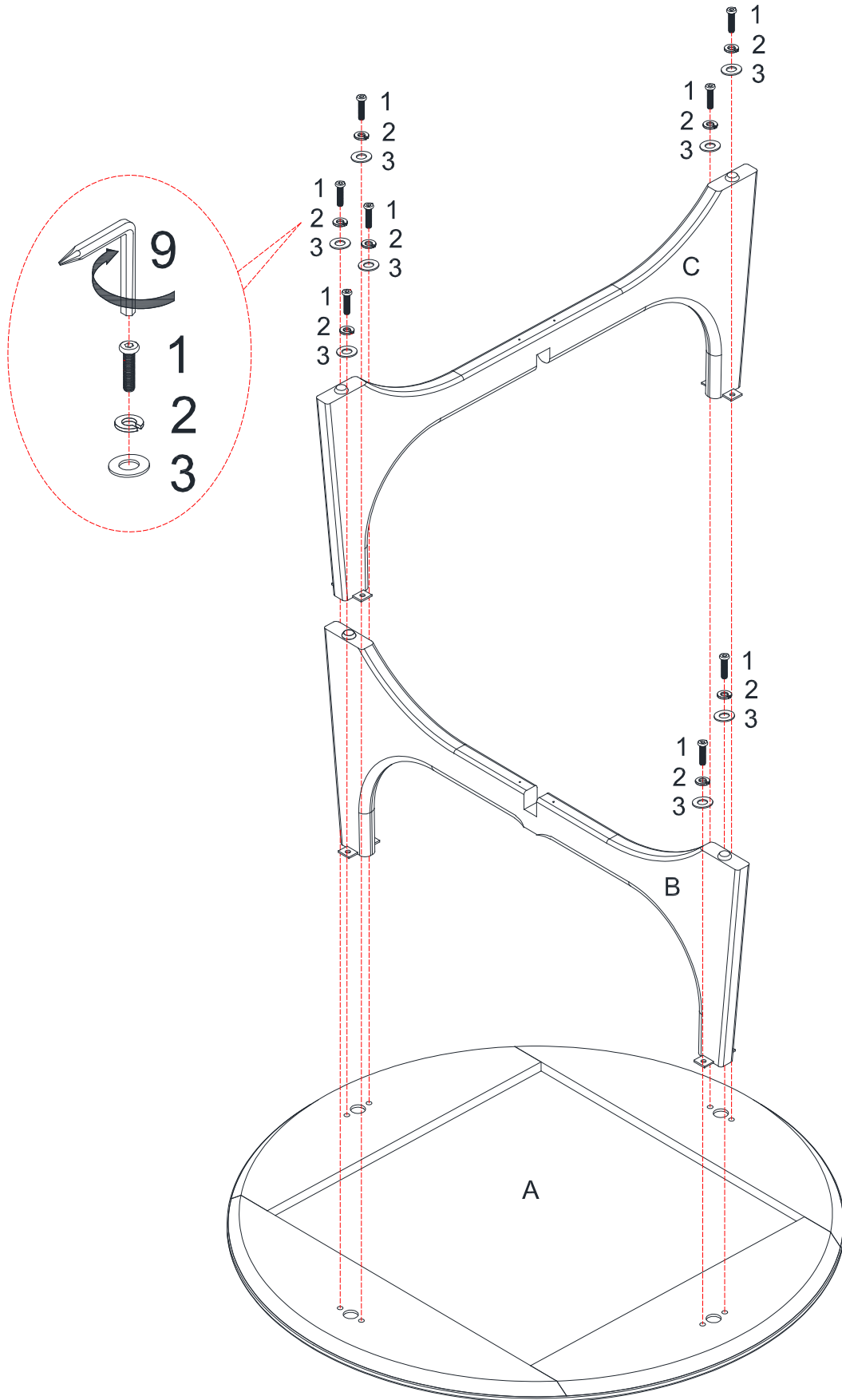
Assembly | Asambla | Assemblage

1



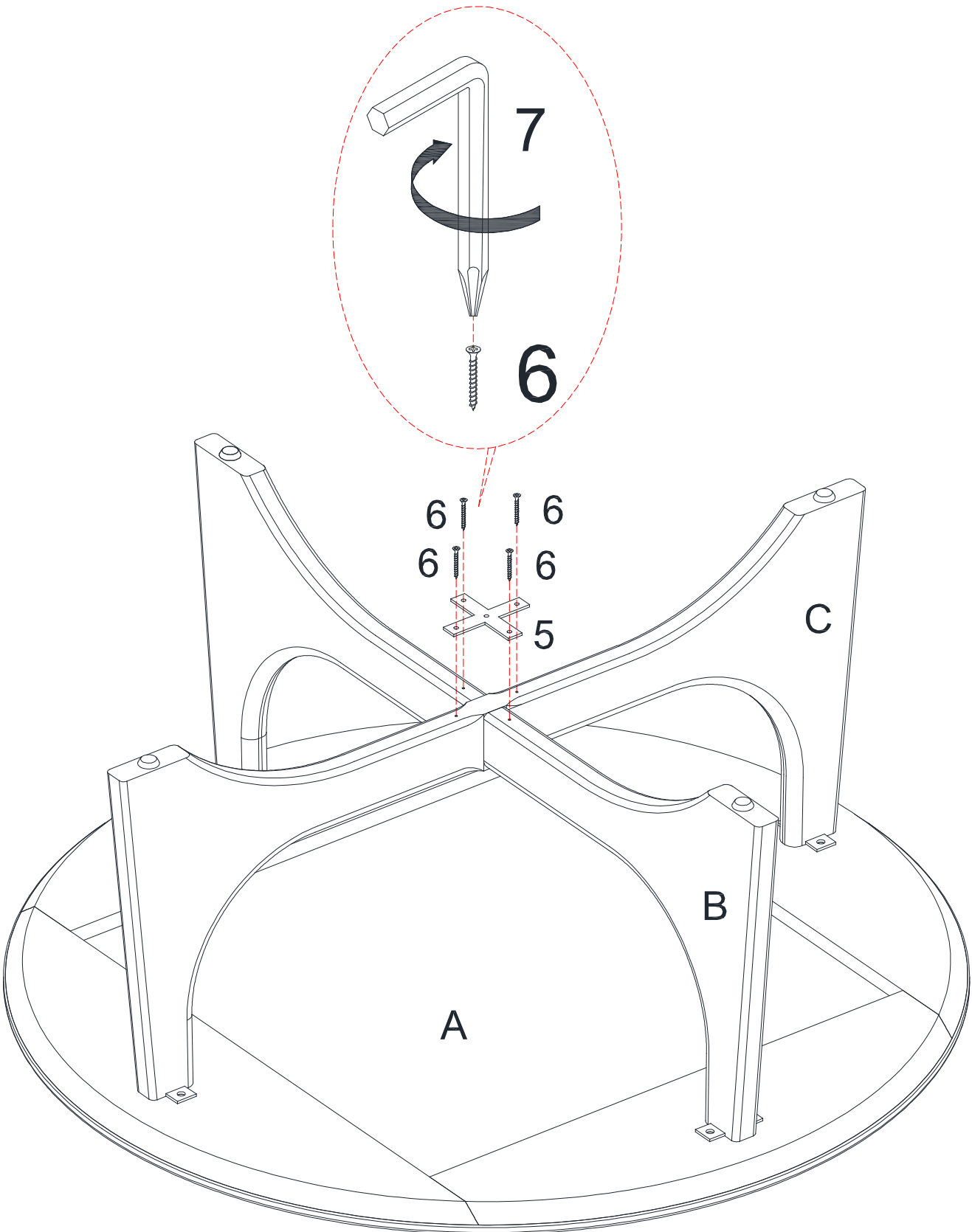
Assembly | Asambla | Assemblage

2



Assembly | Asambla | Assemblage

3



Assembly | Asambla | Assemblage

4

