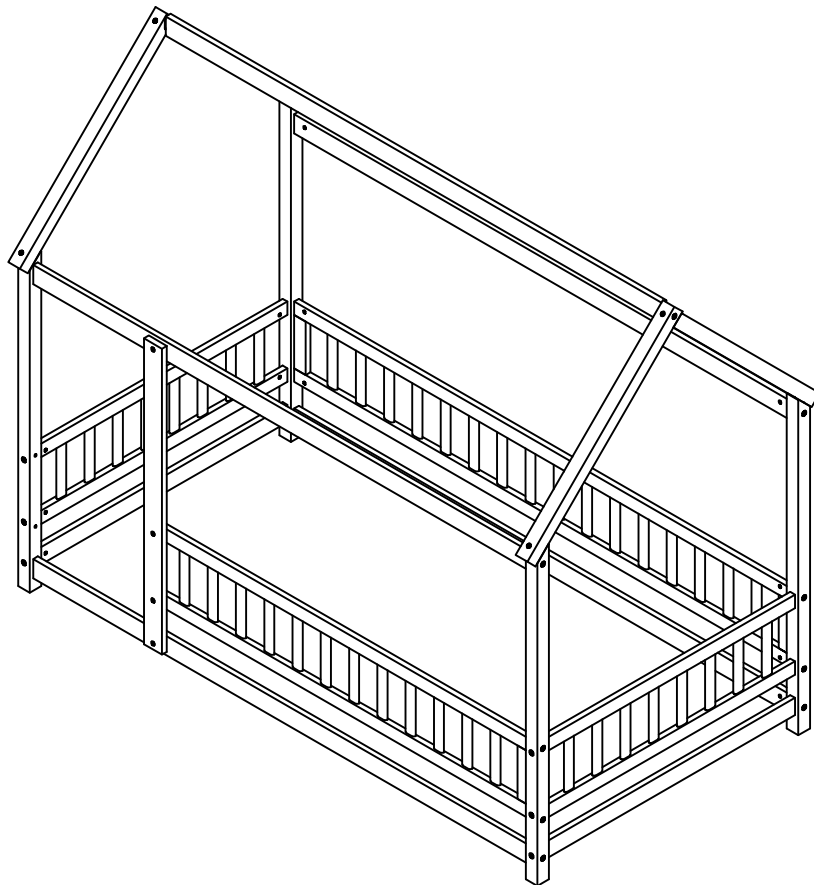


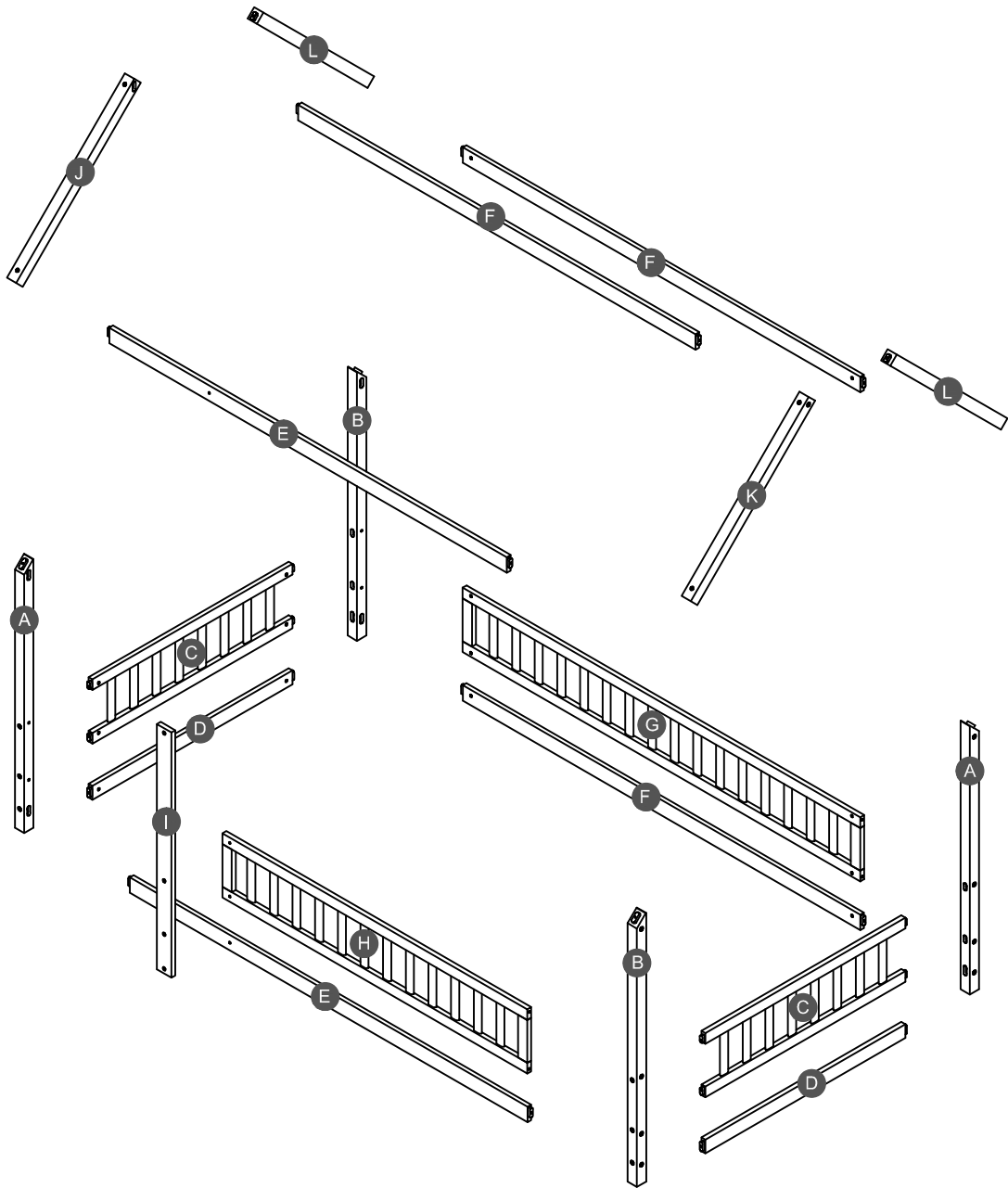
# ASSEMBLY INSTRUCTIONS

## TWIN HOUSE FLOOR BED WITH FENCE

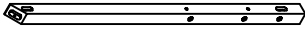
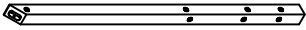
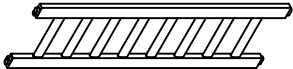
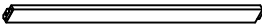



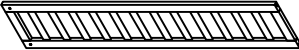
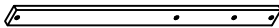
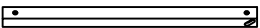
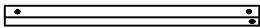
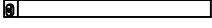


**DN33759**


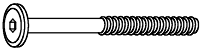




# Detail View



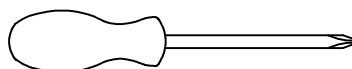
# Part List

<b>A</b>  Leg (Left Front/Right Back) - 2pcs	<b>B</b>  Leg (Left Back/Right Front) - 2pcs	<b>C</b>  Frame HB/FB - 2pcs
<b>D</b>  Lower horizontal bar - 2pcs	<b>E</b>  Horizontal bar (Front) - 2pcs	<b>F</b>  Horizontal bar (Back) - 3pcs
<b>G</b>  Long guard rail (Back) - 1pc	<b>H</b>  Short guard rail (Front) - 1pc	<b>I</b>  Vertical guard rail (Front) - 1pc
<b>J</b>  Upper (Left Front) - 1pc	<b>K</b>  Upper (Right Front) - 1pc	<b>L</b>  Upper (Back) - 2pcs

# Hardware List

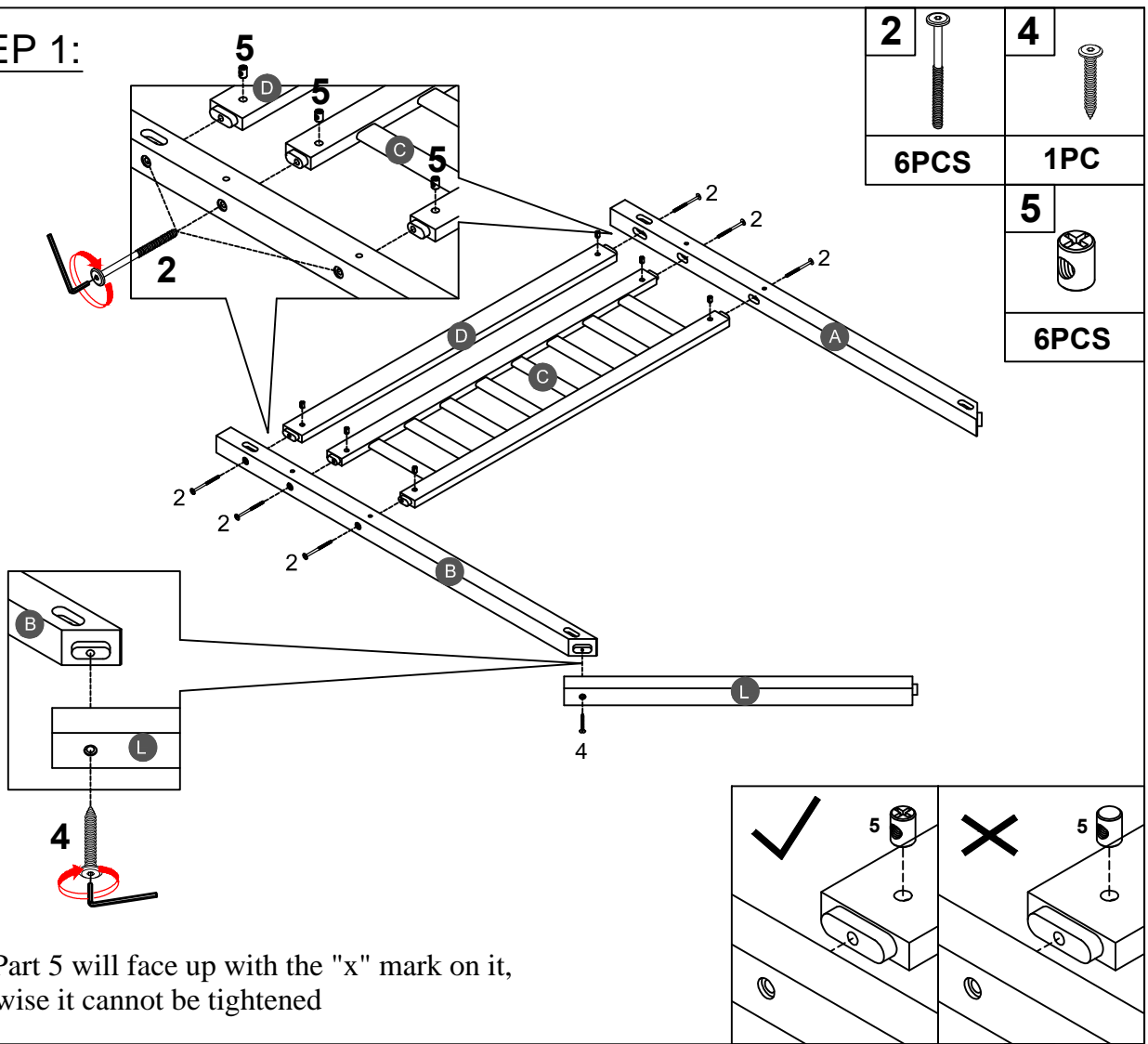
<b>1</b>  (Ø15)1/4"*100mm Hex-Head bolts (16pcs)	<b>2</b>  (Ø15)1/4"*80mm Hex-Head bolts (12pcs)	<b>3</b>  (Ø12)1/4"*35mm Hex-Head bolts (4pcs)
<b>4</b>  (Ø12)1/4"*65mm Wood screw bolts (6pcs)	<b>5</b>  1/4"*15 (9.5mm) Horizontal-Hole bolts (28pcs)	<b>6</b>  (1/4")4.5*58mm Allen key (1pc)

ASSEMBLY TOOLS REQUIRED ( NOT INCLUDED )

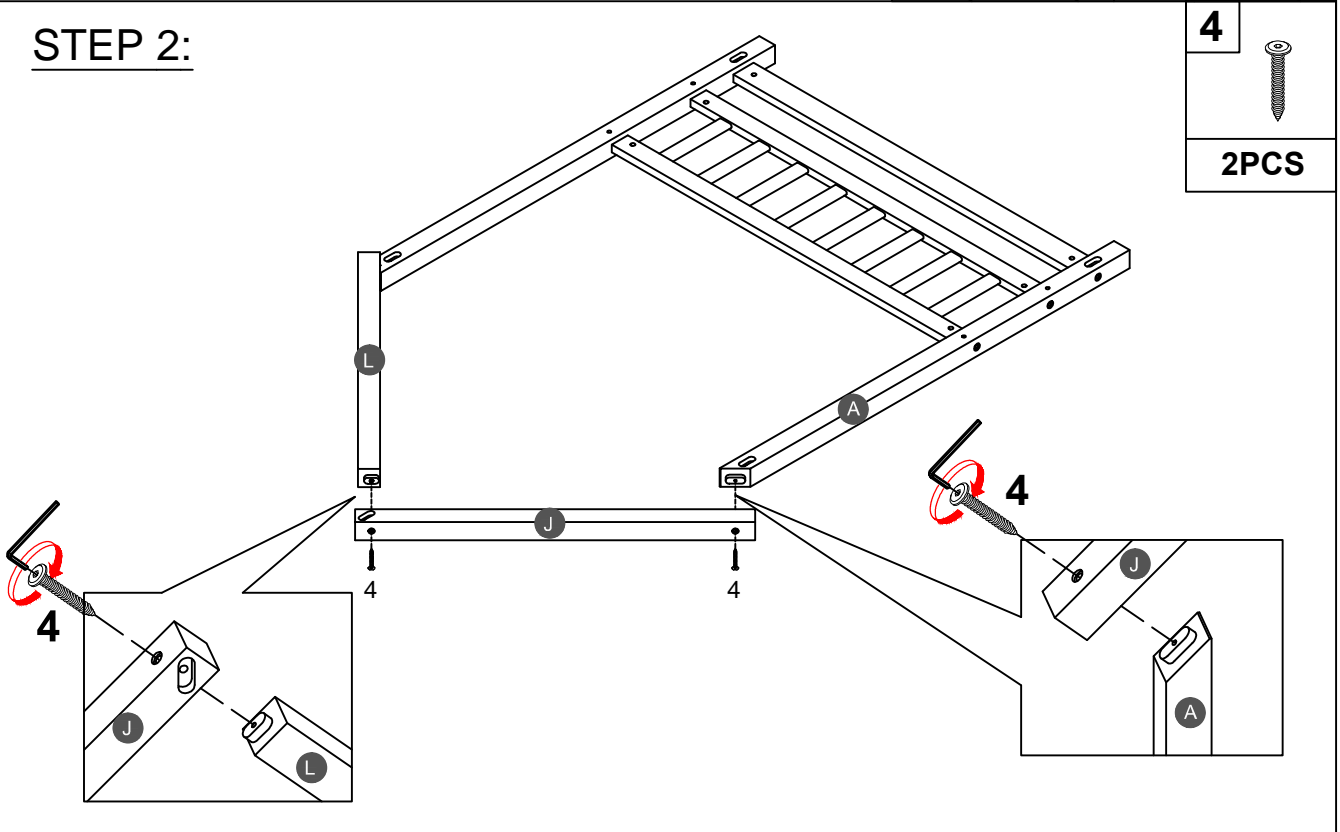


PLEASE BE CAREFUL DO NOT DAMAGE THE HOLE POSITION WHEN YOU USE POWER TOOLS !

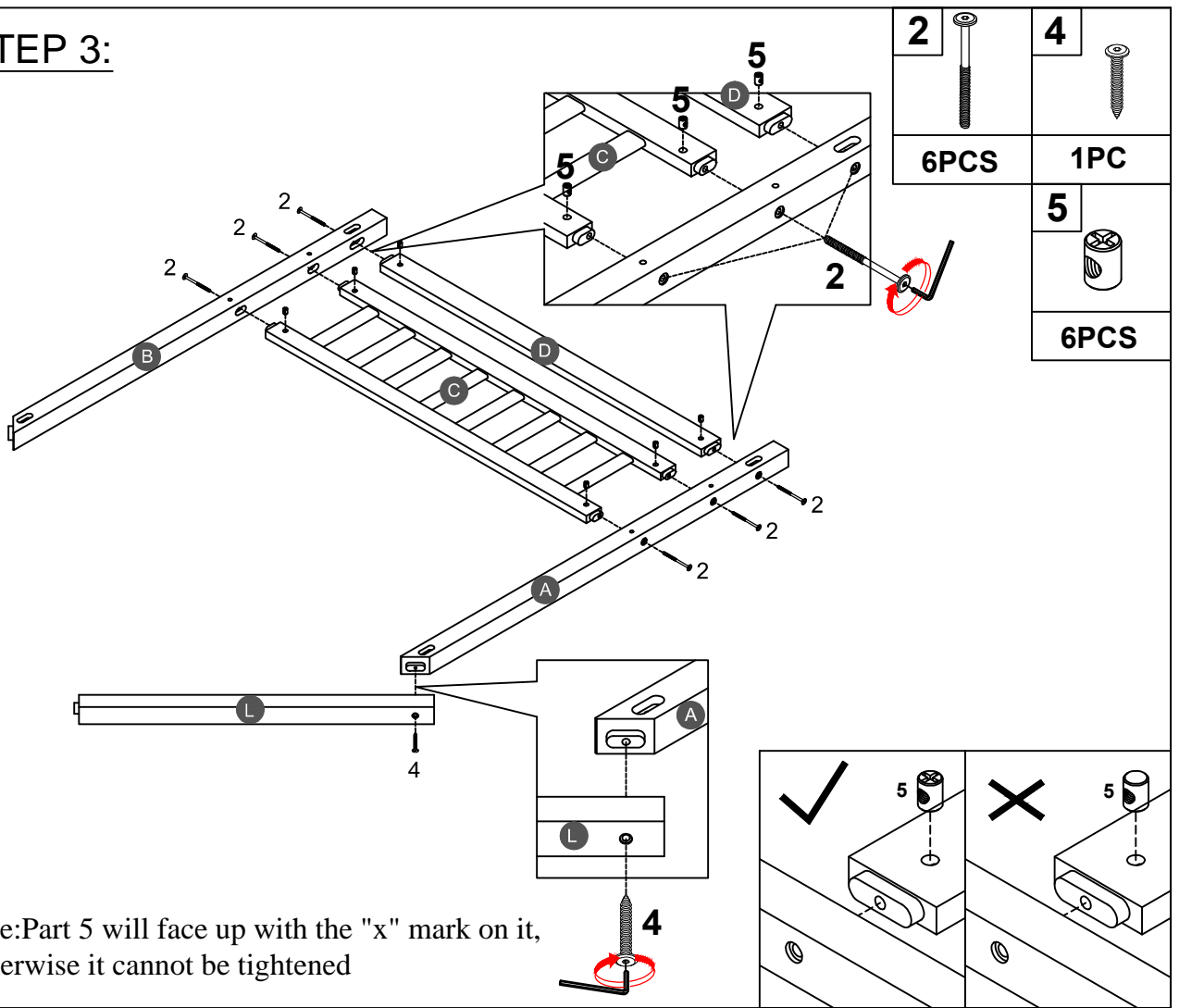
**STEP 1:**



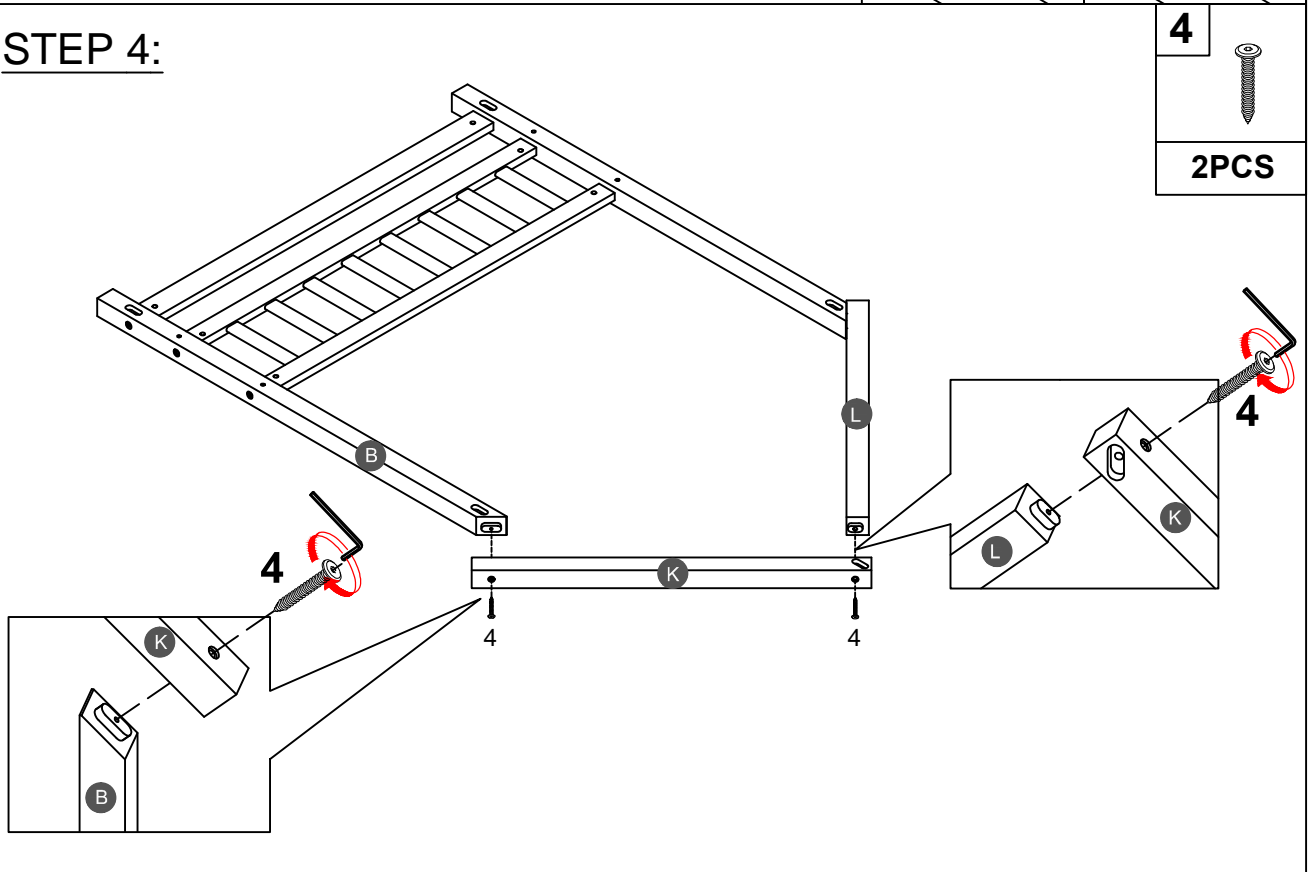
**STEP 2:**



**STEP 3:**

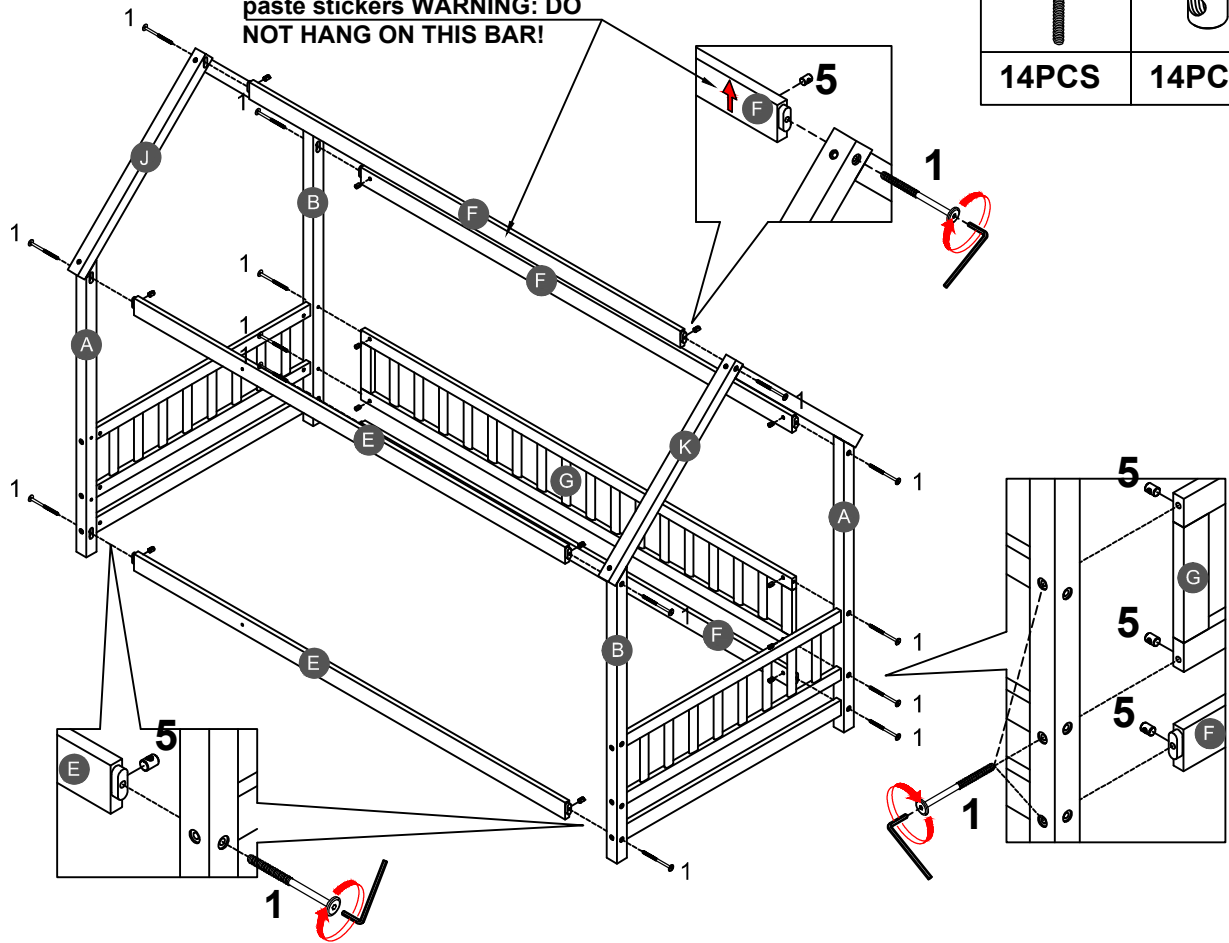




**STEP 4:**



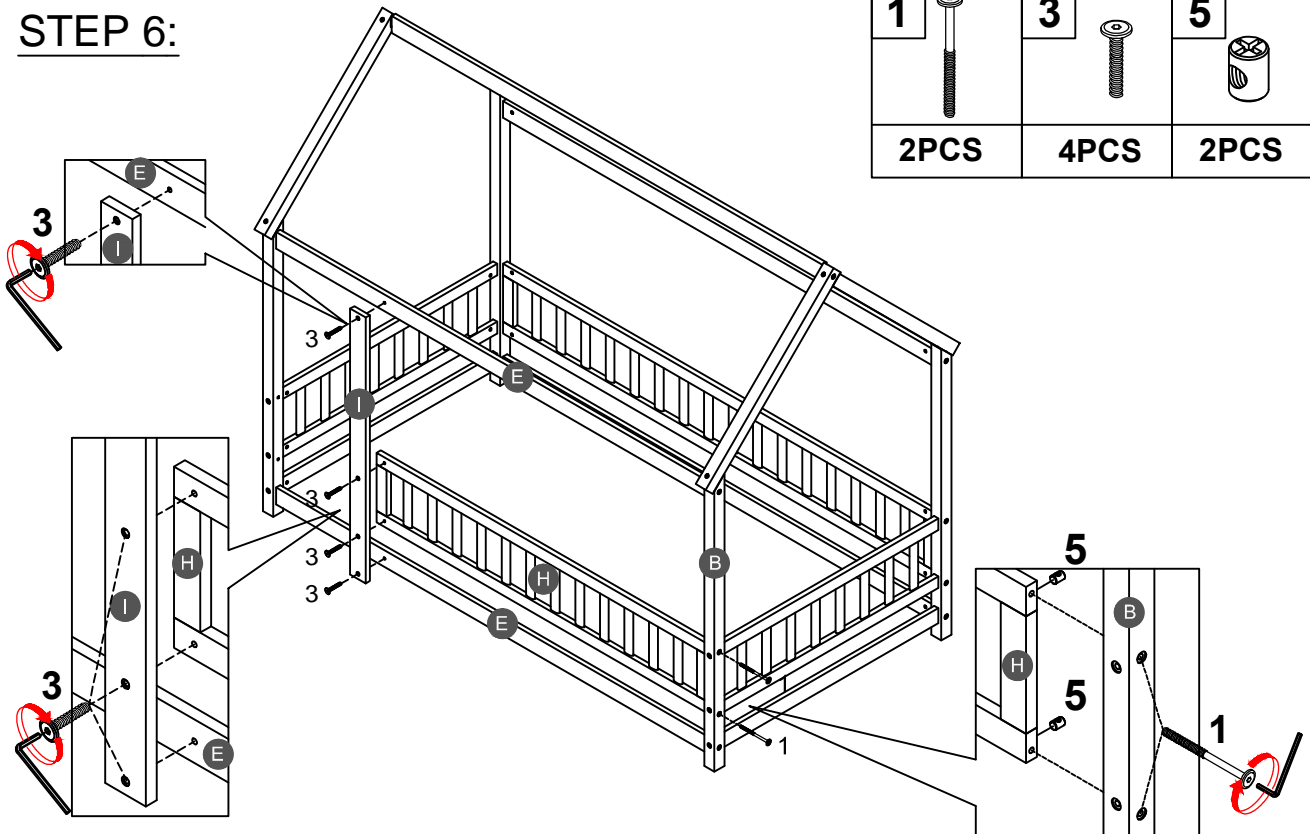
### STEP 5:


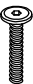

Remark: Upper horizontal  
paste stickers **WARNING: DO  
NOT HANG ON THIS BAR!**



1		5	
14PCS		14PCS	

### STEP 6:



1		3		5	
2PCS		4PCS		2PCS	