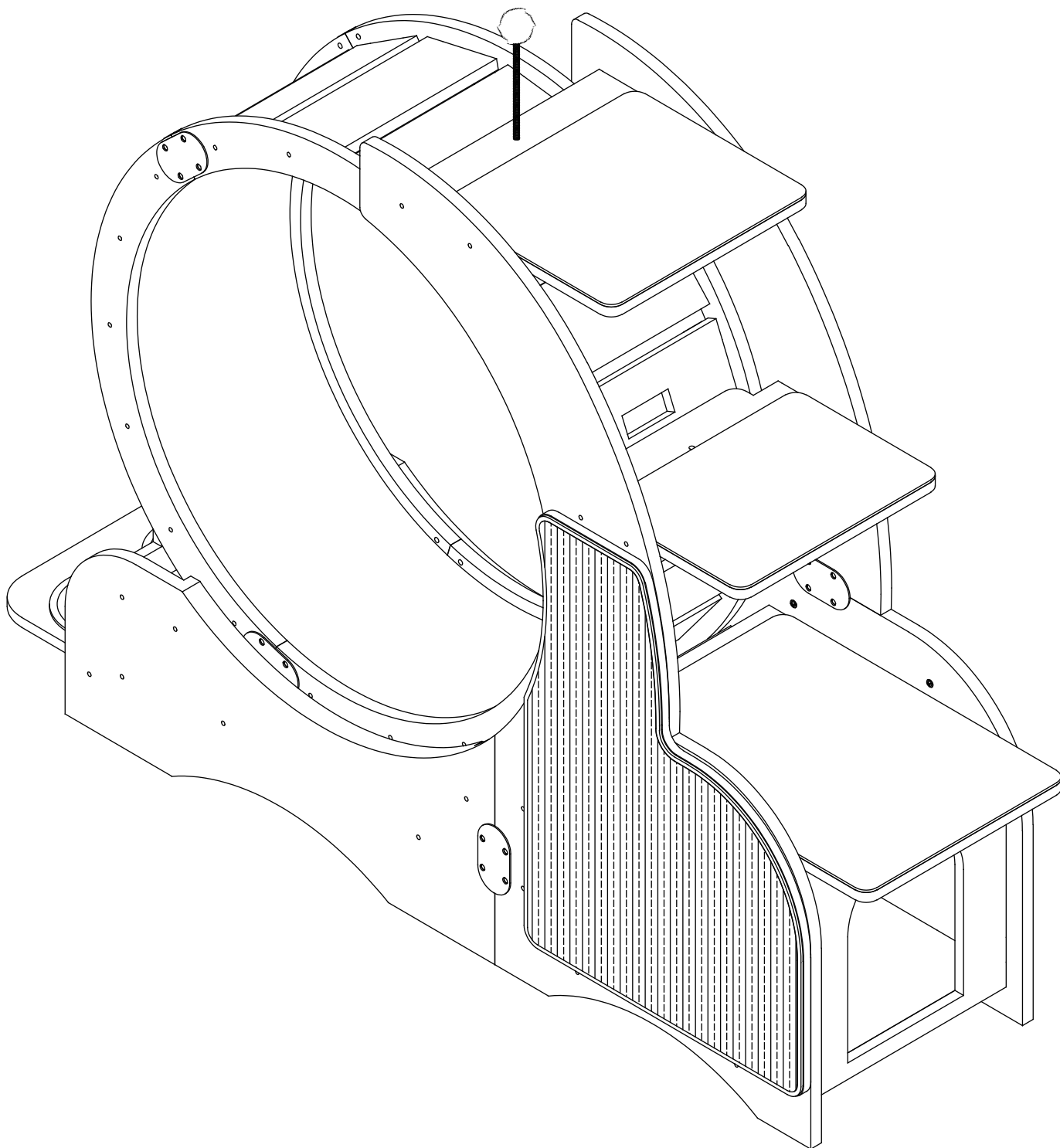
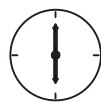


Max
10KG



2PER



30 MIN

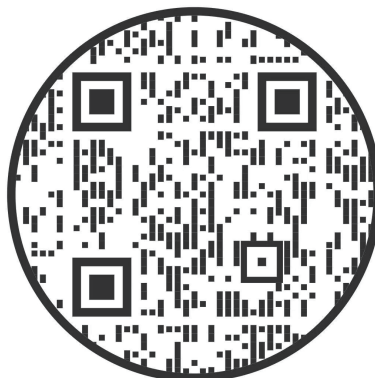
Explanation

1. Please read this instruction carefully before using it.
2. Before the installation, please check the parts list to make sure the package includes all parts.

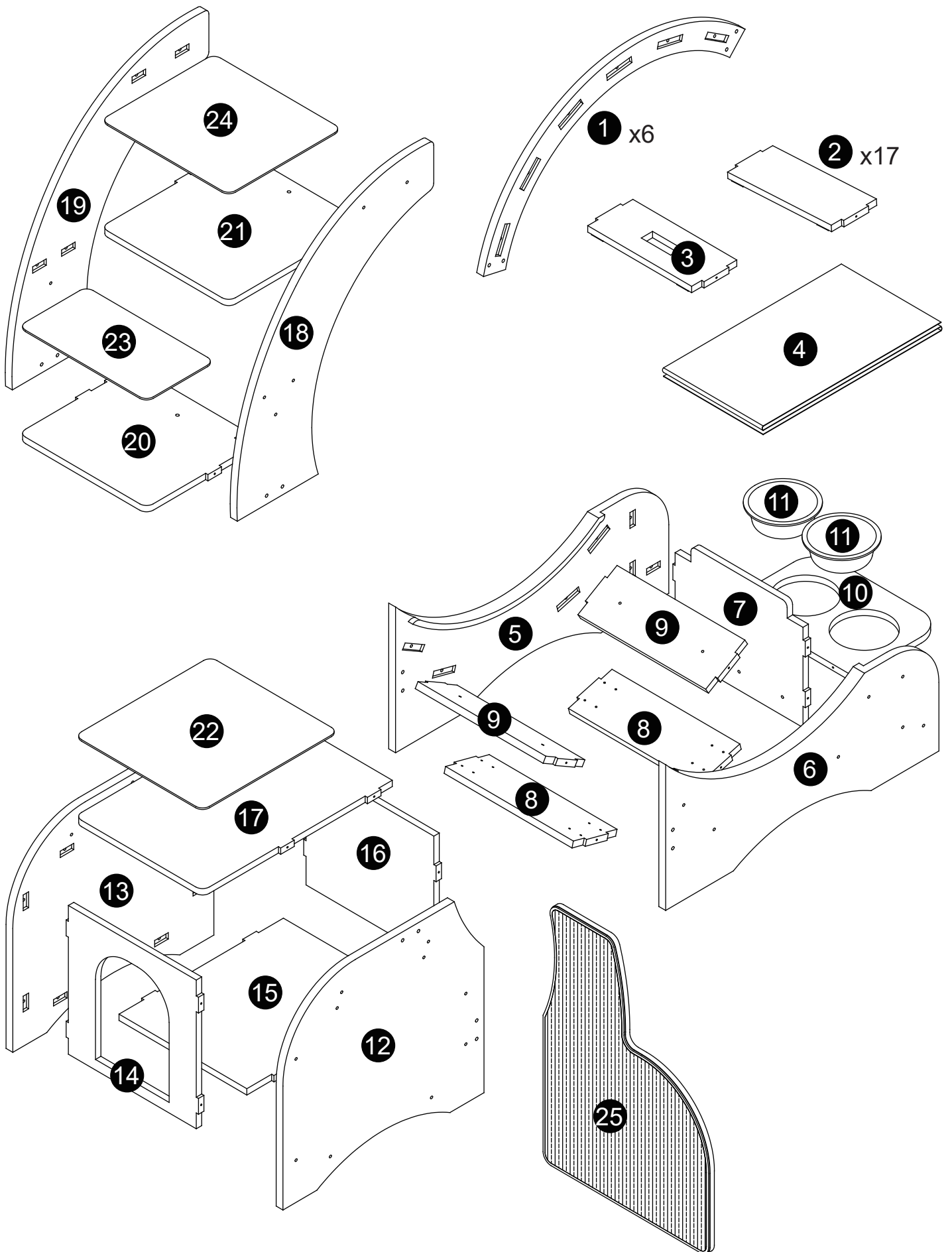
Installation Notes

1. Before tightening the eccentric wheel [B], double check that the installation is OK.
2. When using power tools, when the screw is drilled to the bottom, please stop continuing to drill down, otherwise it will easily cause the panel to burst.

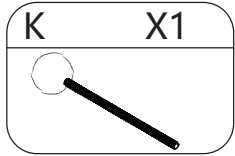
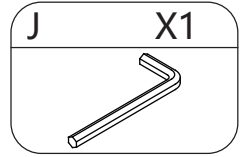
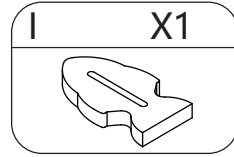
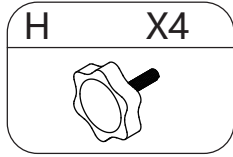
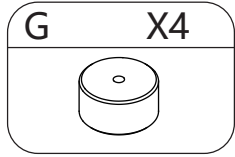
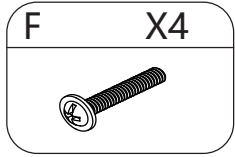
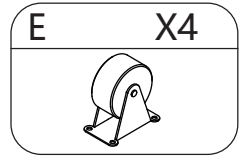
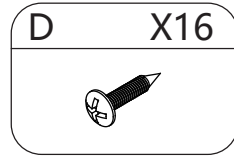
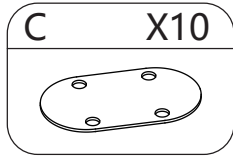
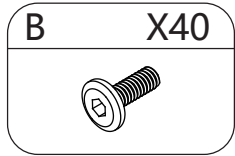
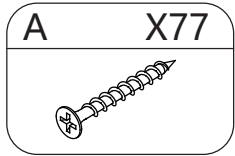
Please scan the QR code for installation help.



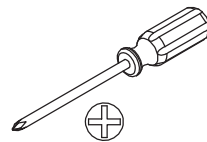
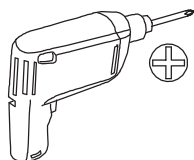
PART LIST



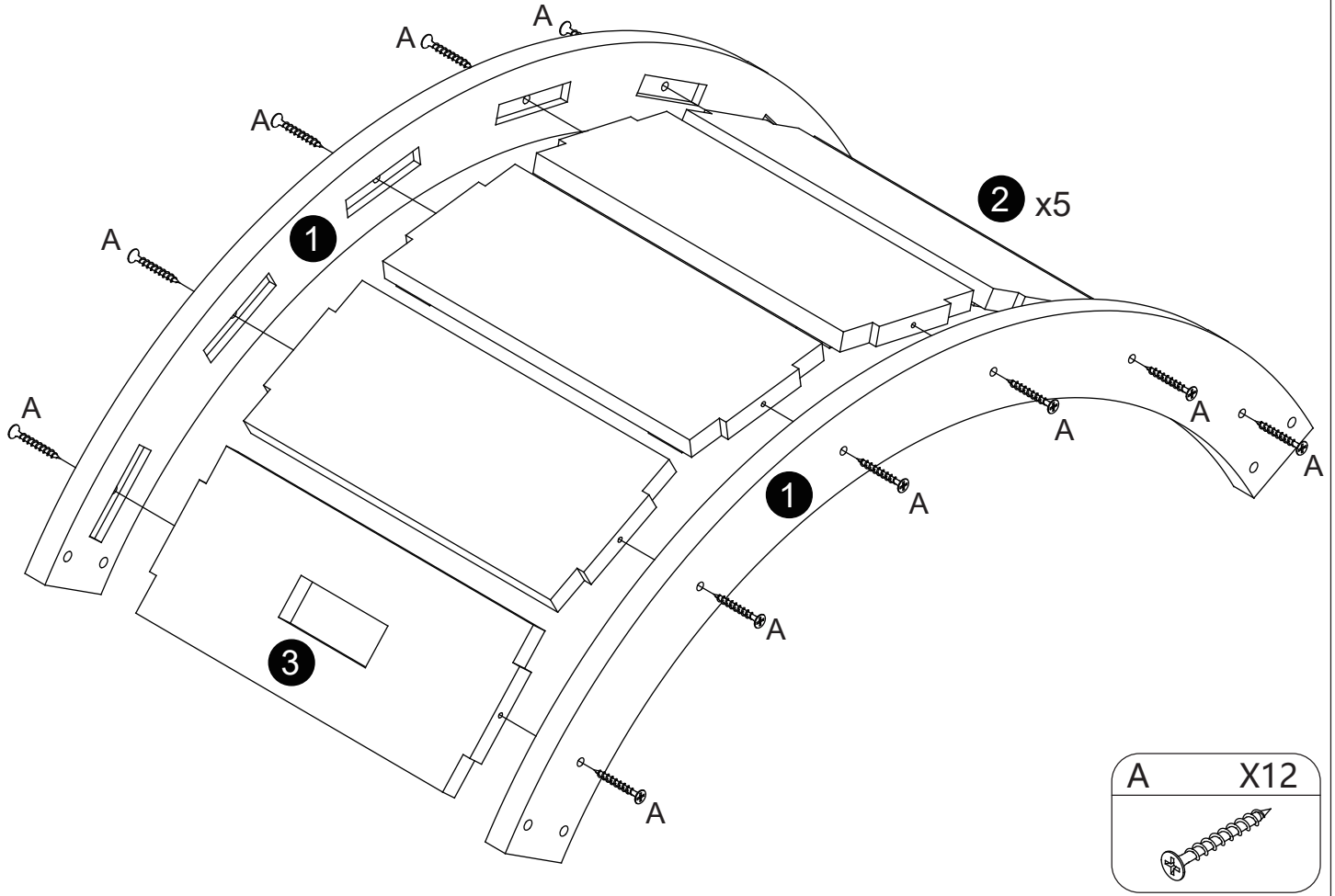
HARDWARE LIST



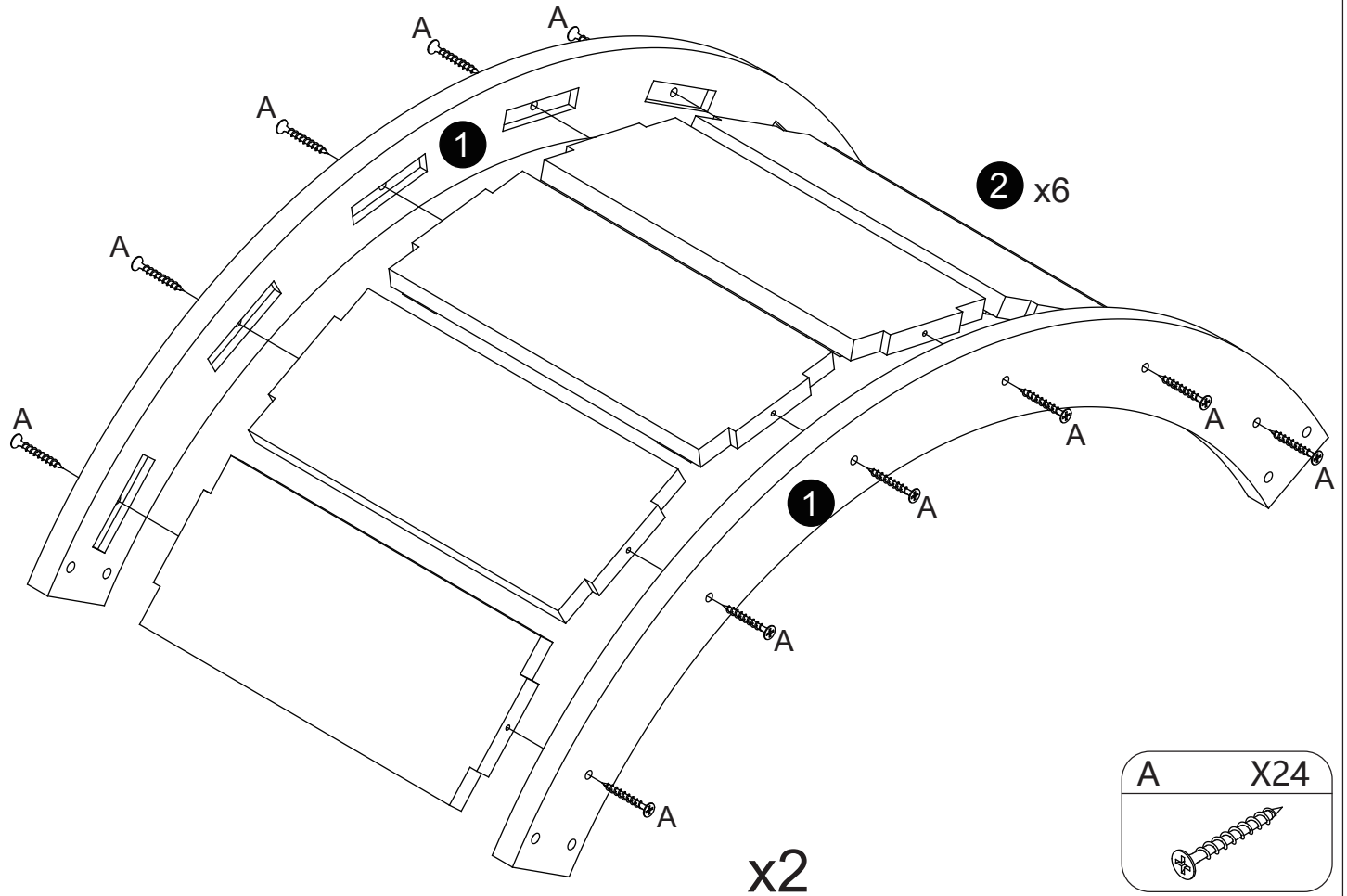
Recommended tools (not included)



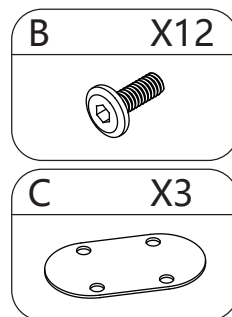
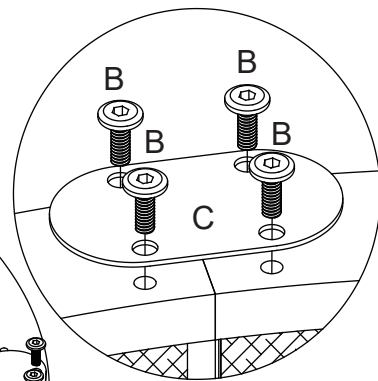
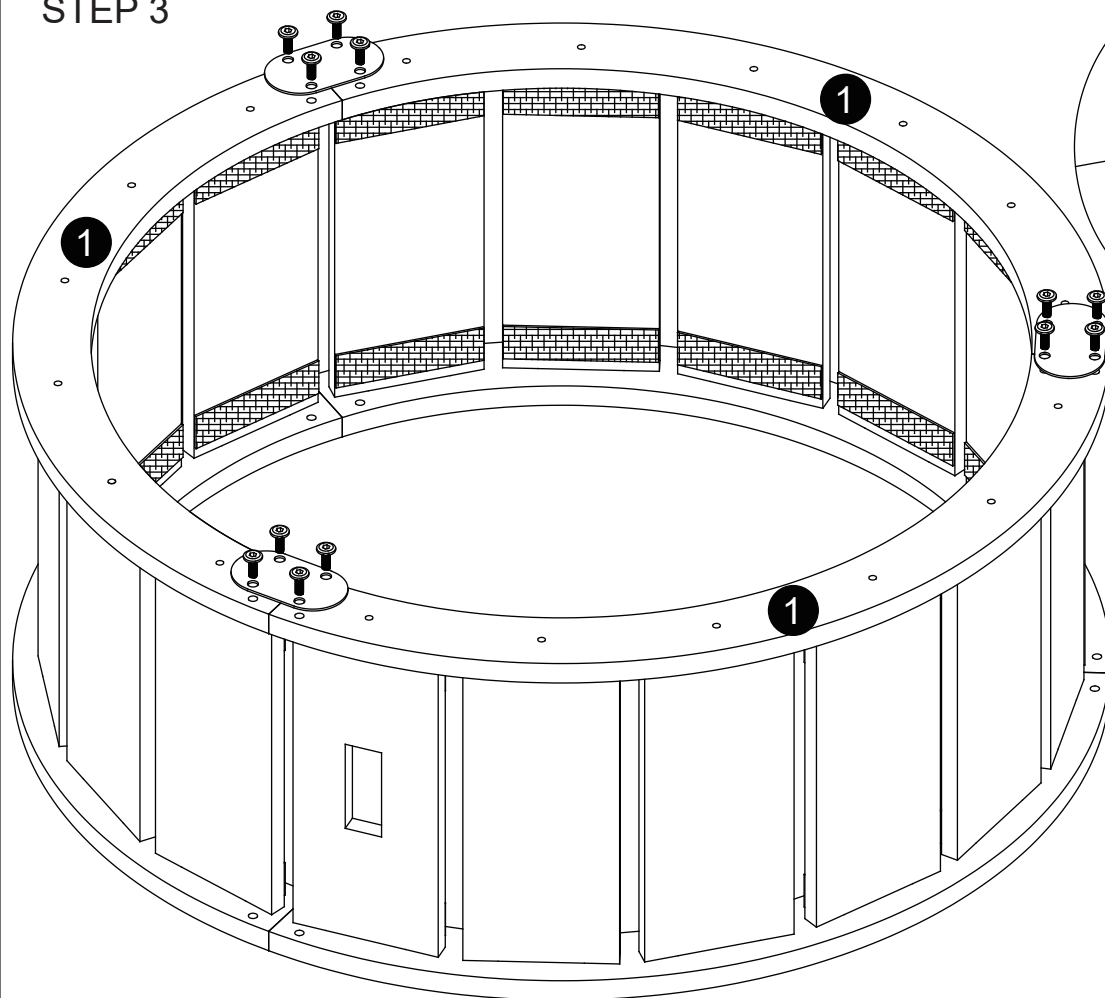
STEP 1



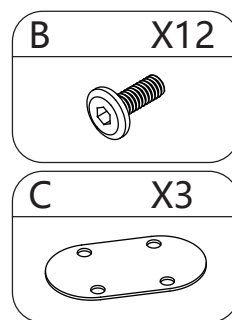
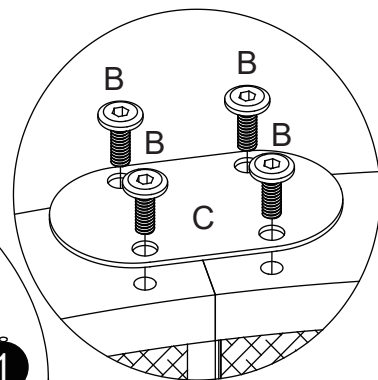
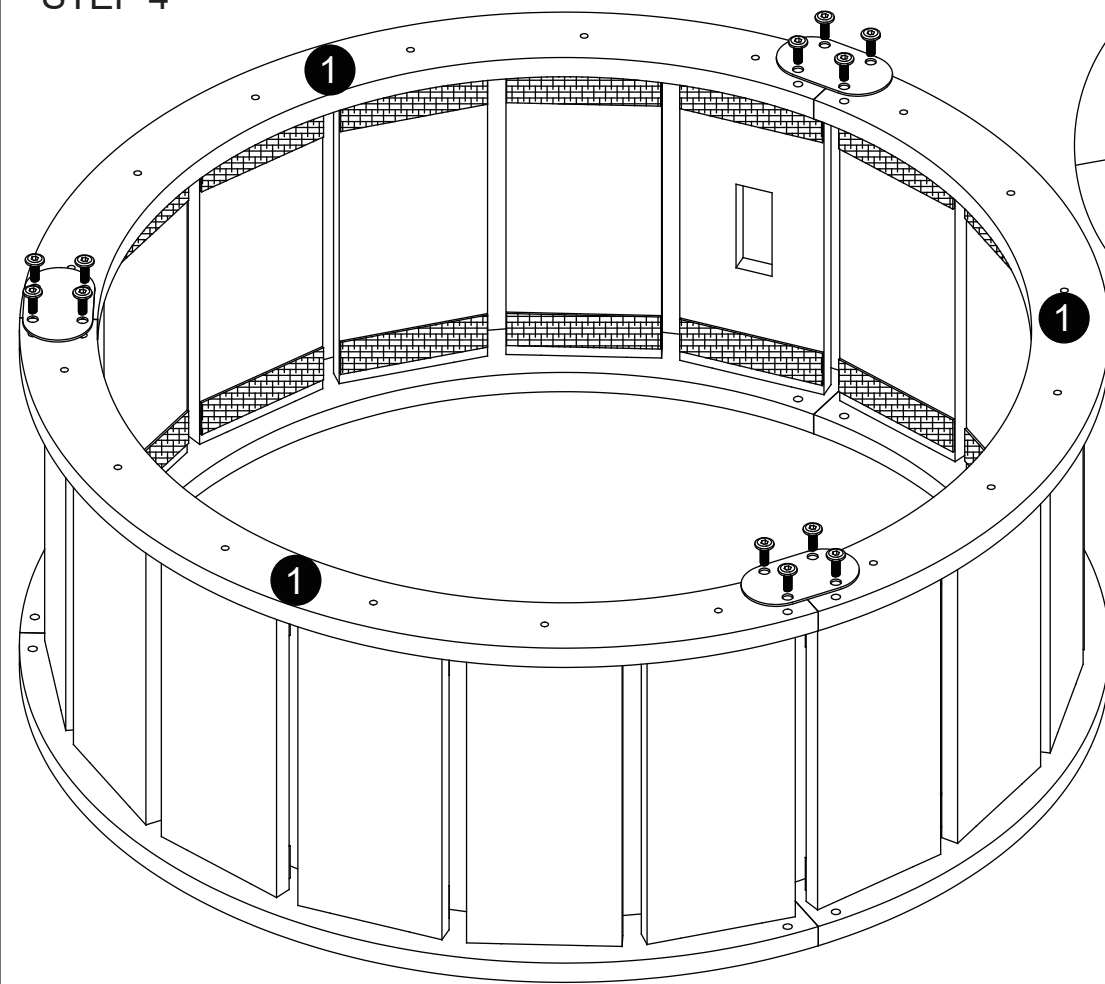
STEP 2



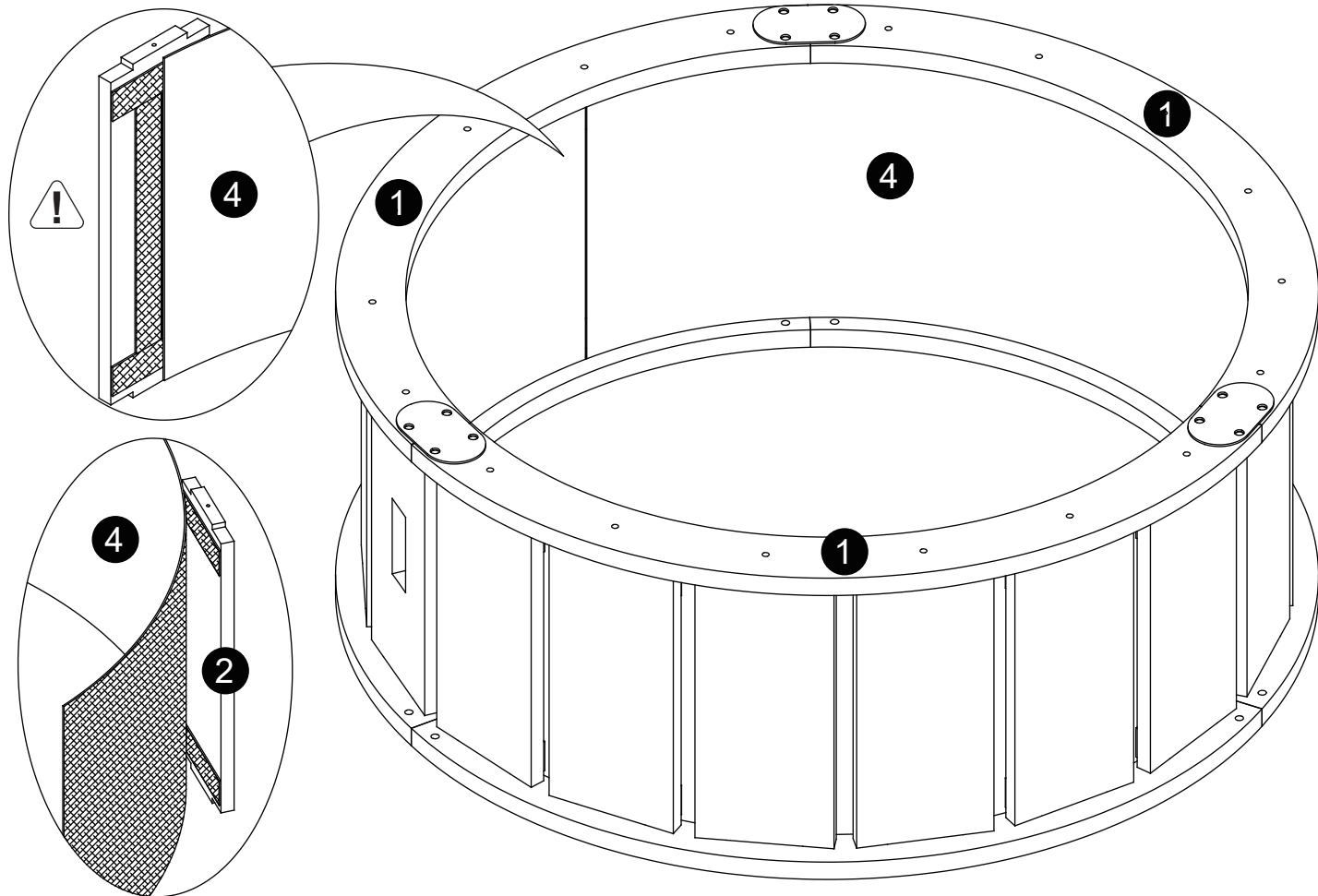
STEP 3



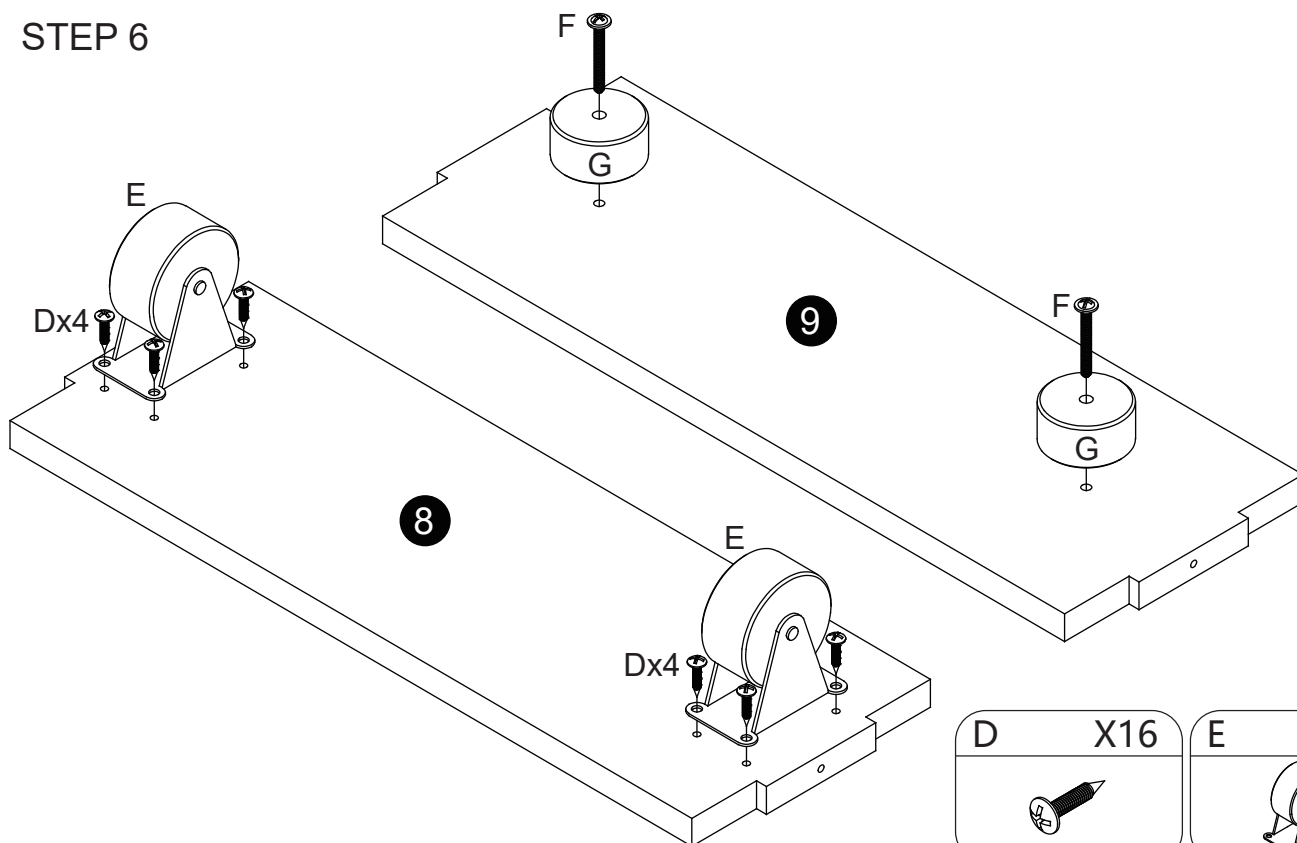
STEP 4







STEP 5



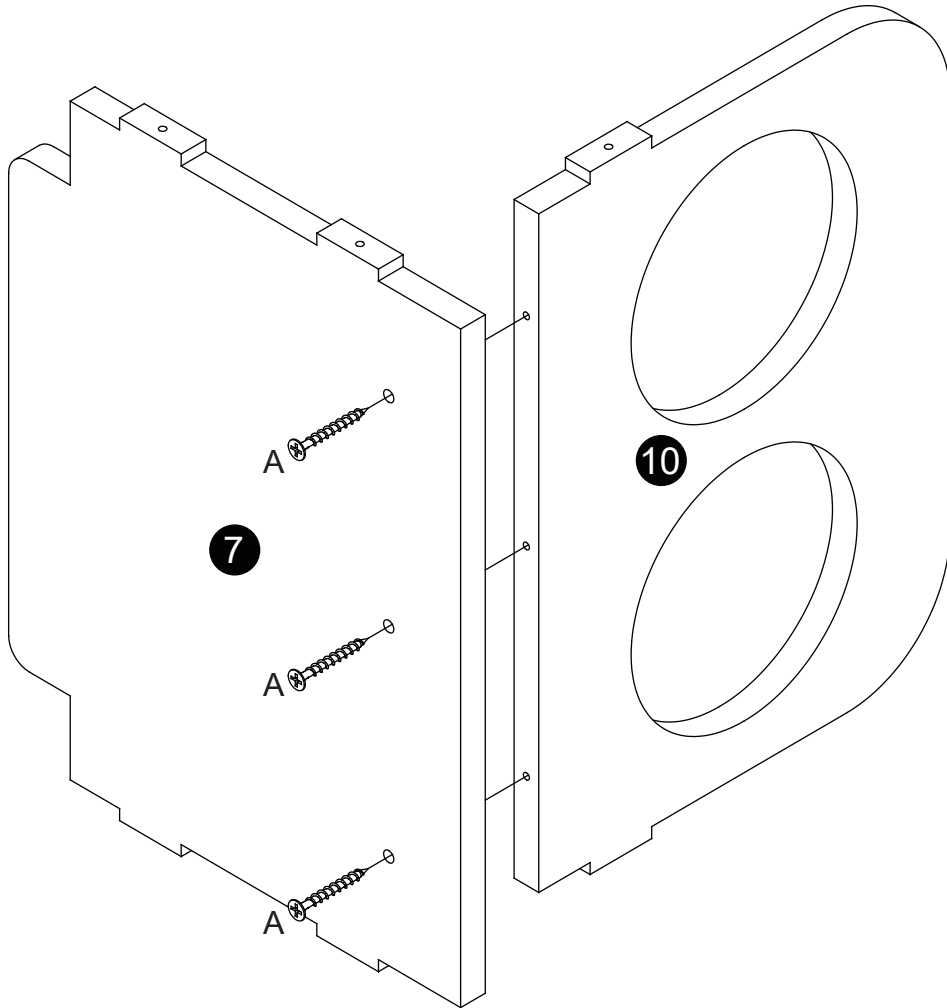
STEP 6

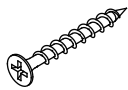


x2

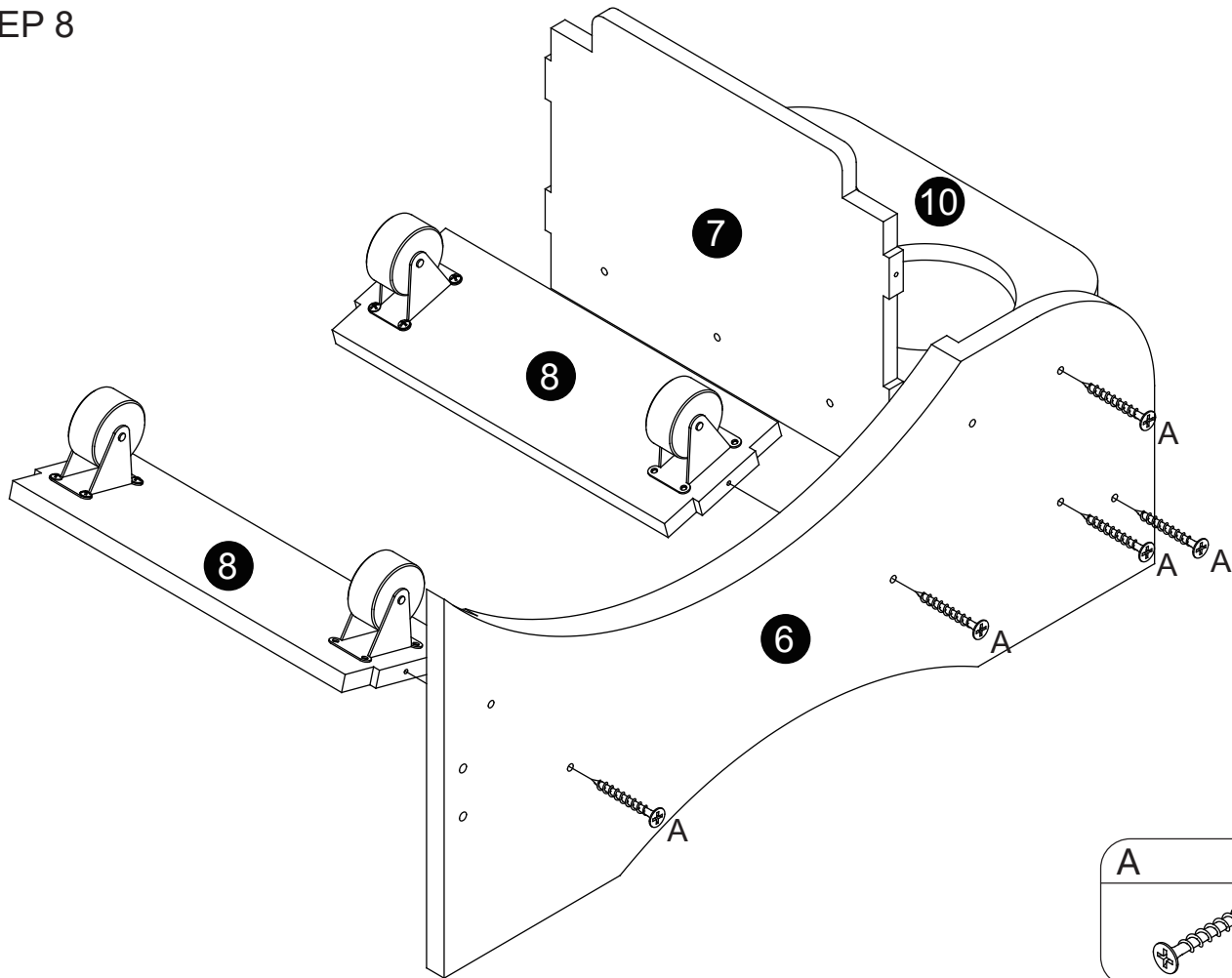
D	X16	E	X4
			
F	X4	G	X4
			

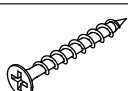
STEP 7



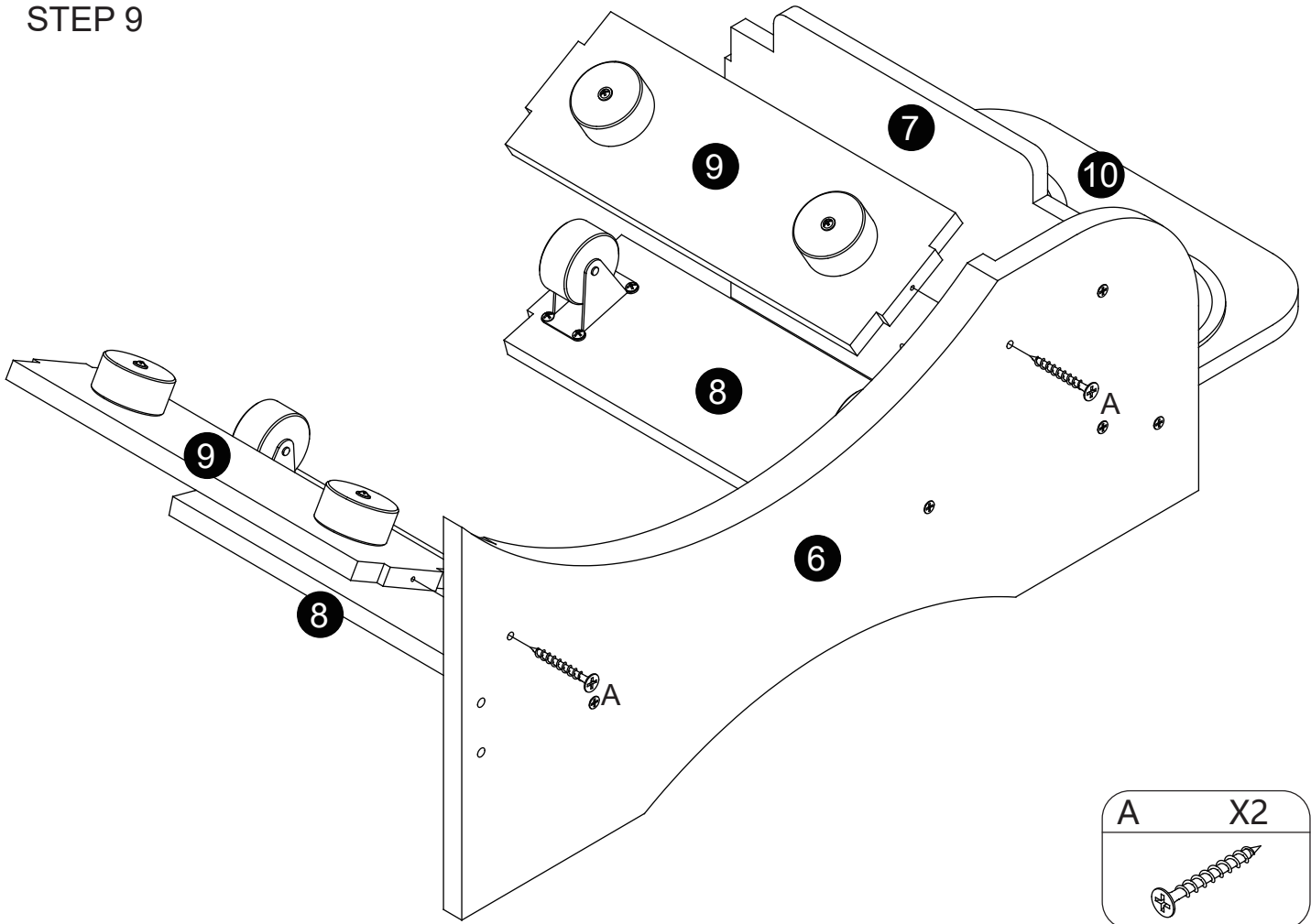
A	X3
	

STEP 8

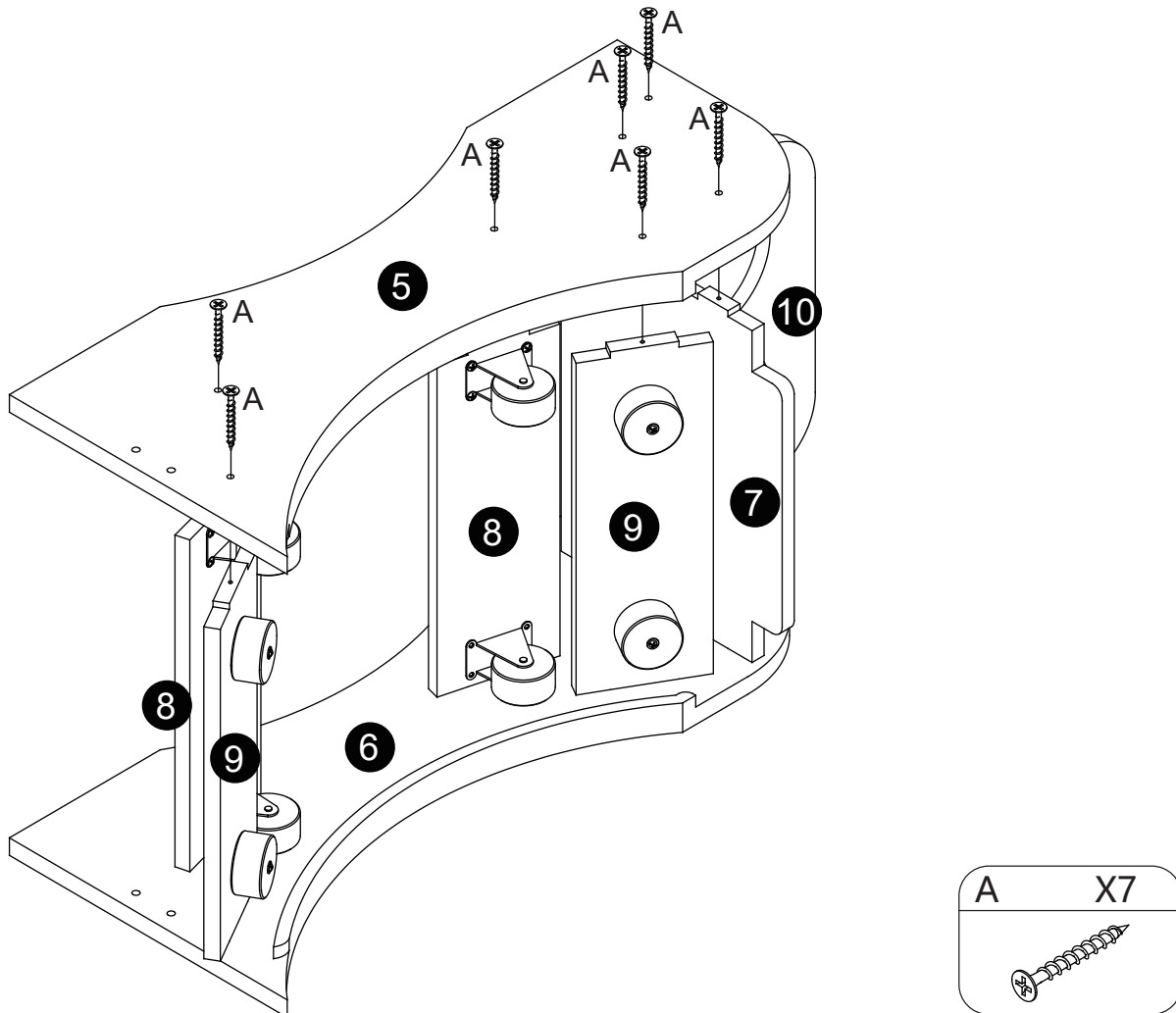


A	X5
	

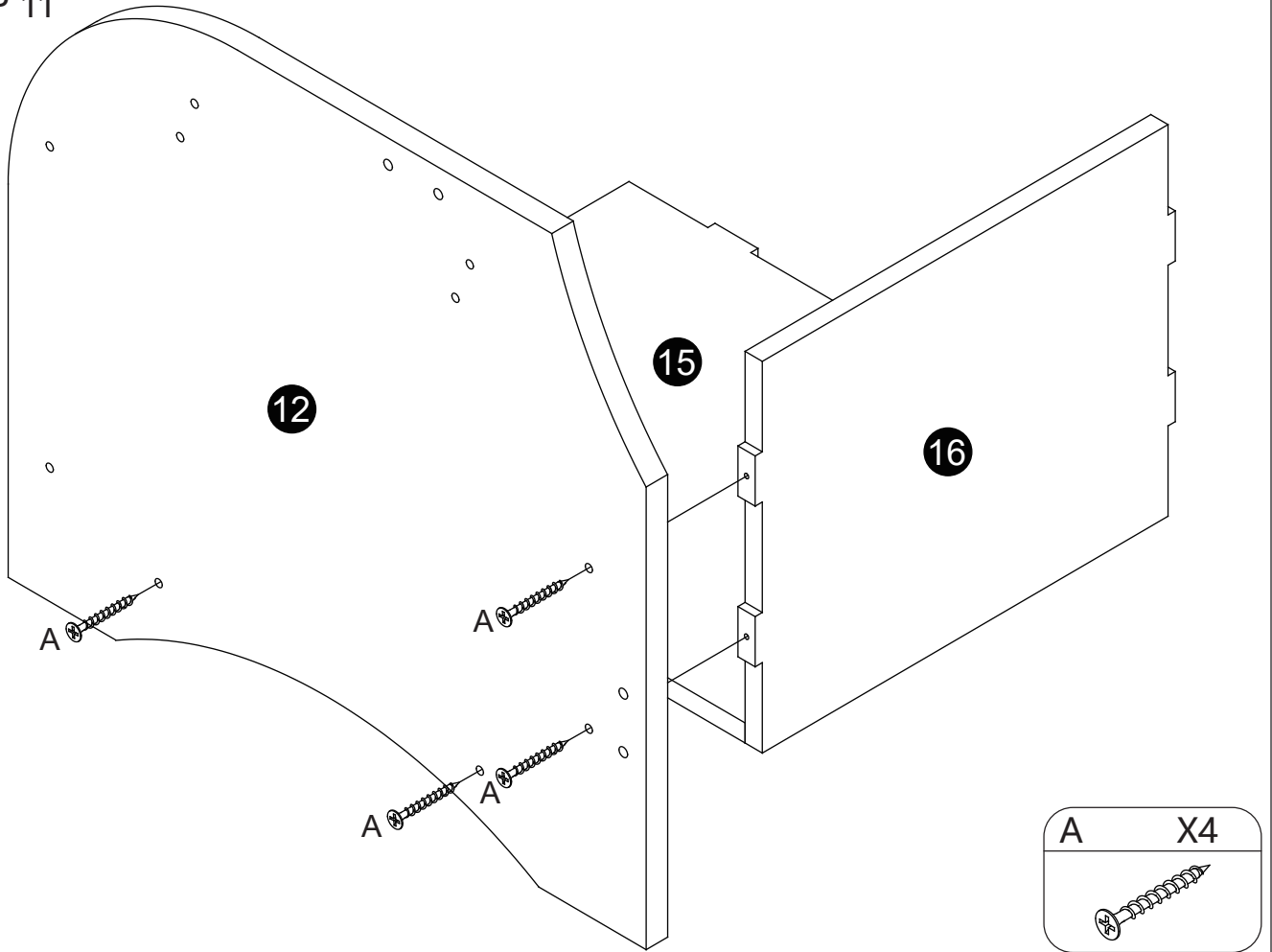
STEP 9



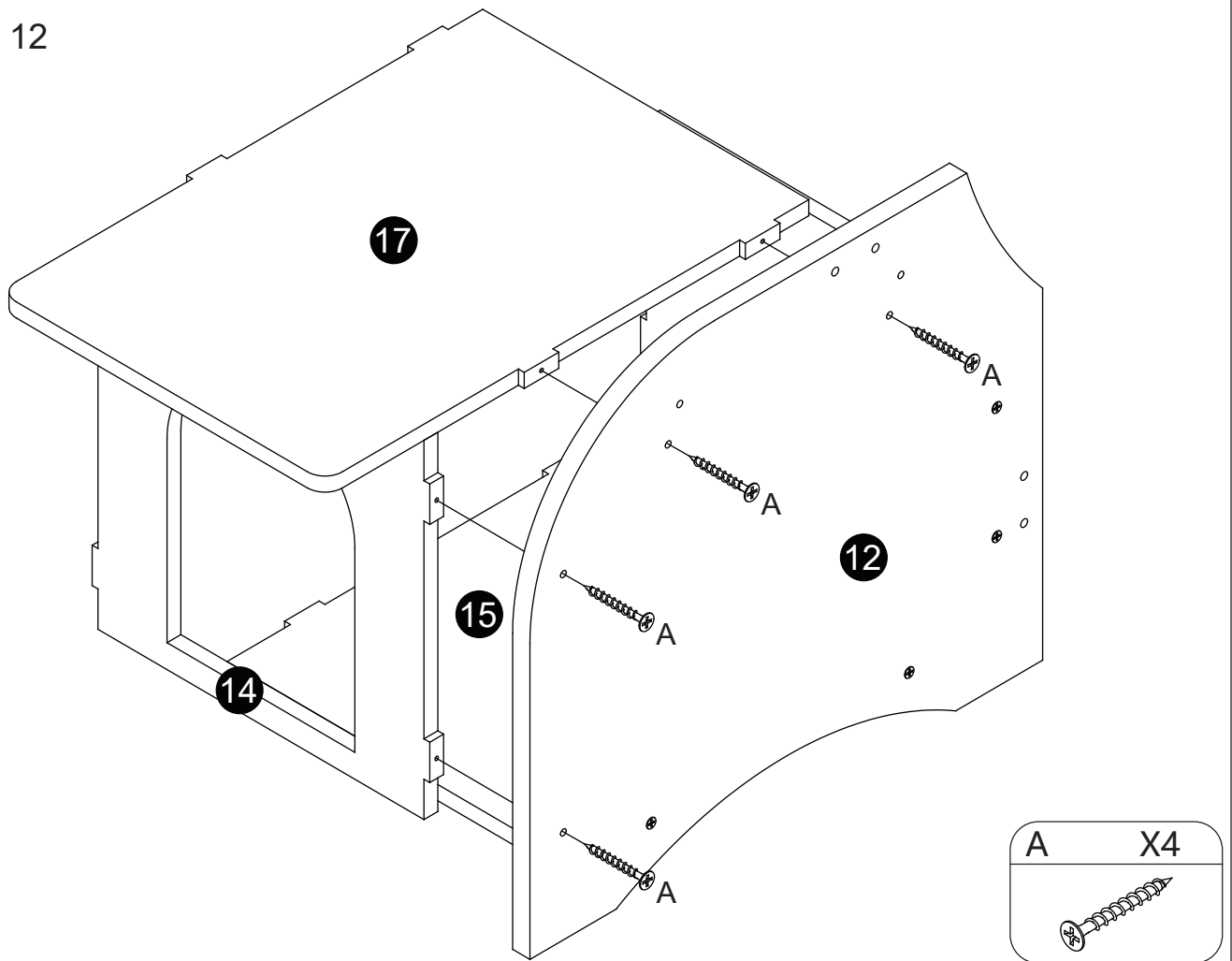
STEP 10



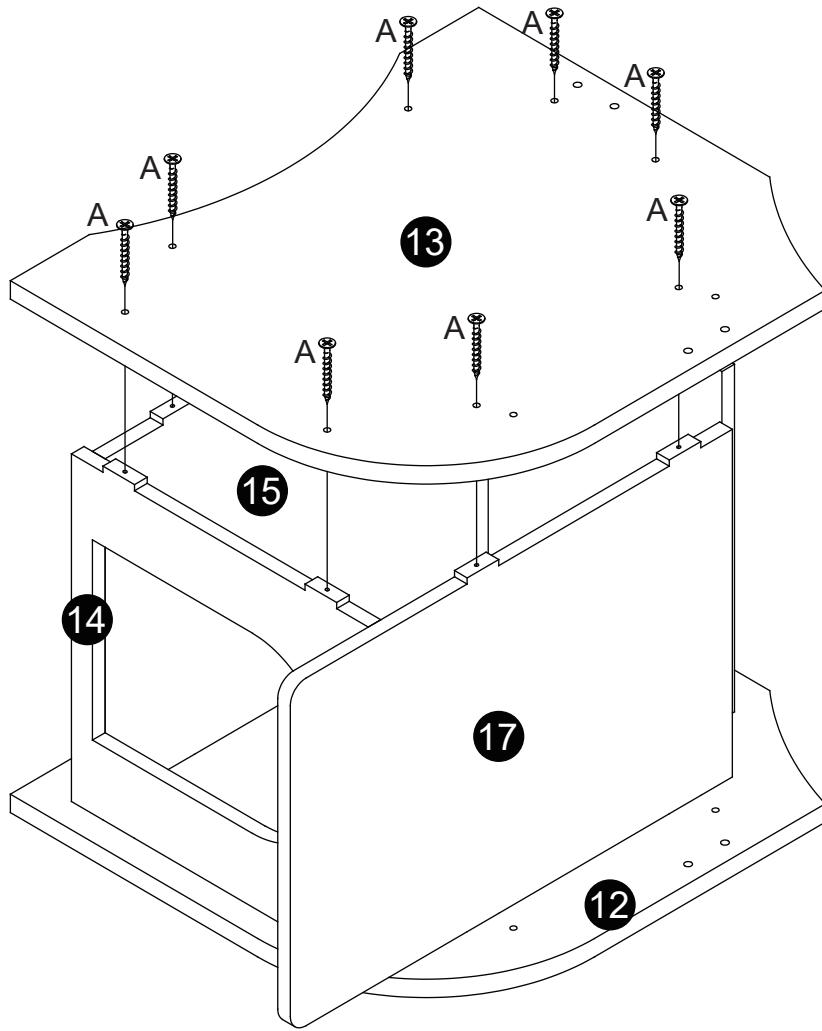
STEP 11

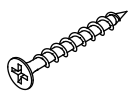


STEP 12

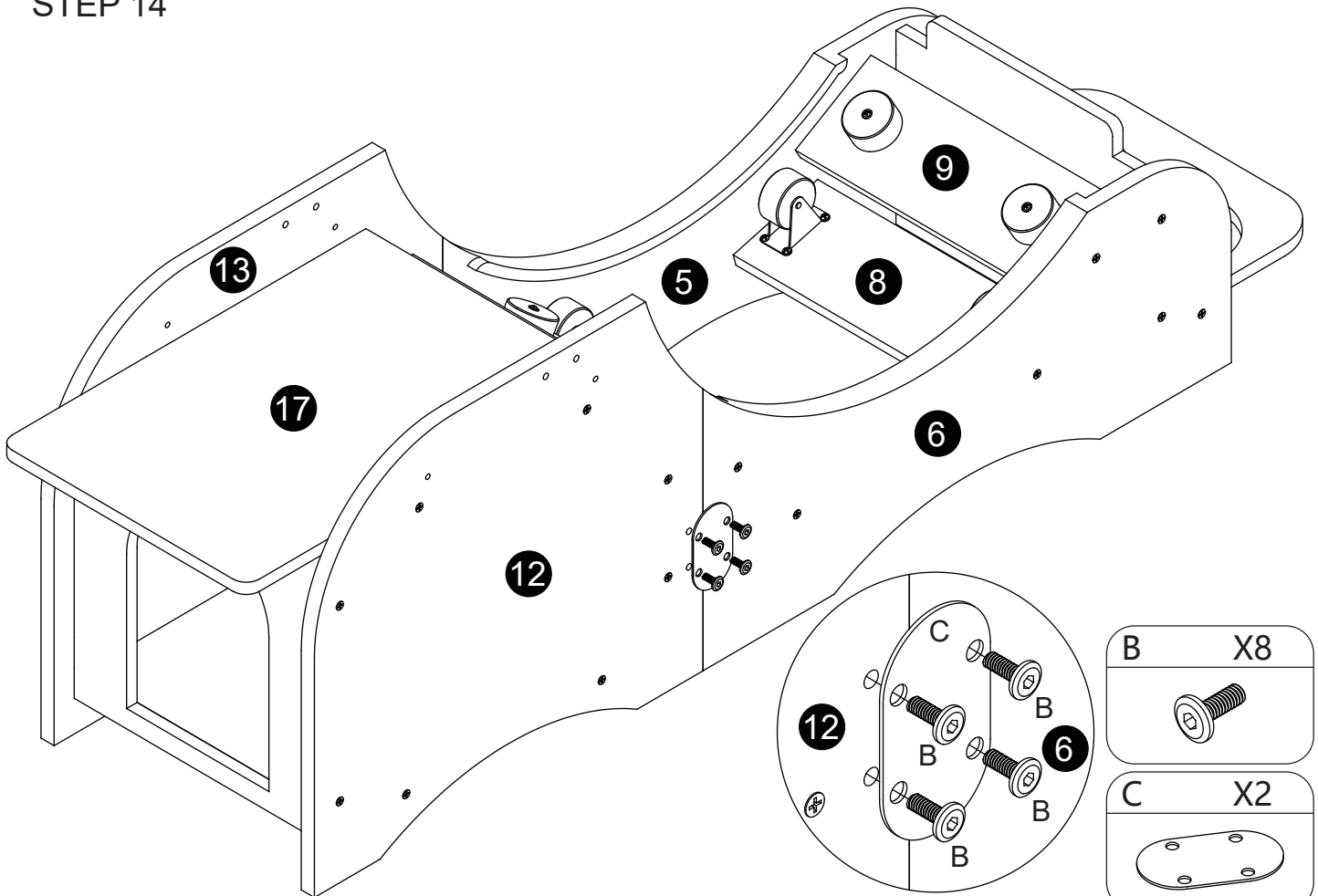



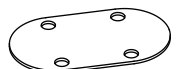
STEP 13



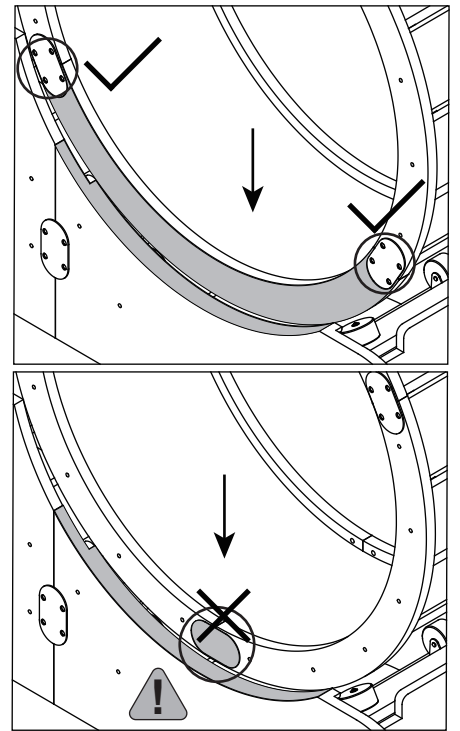
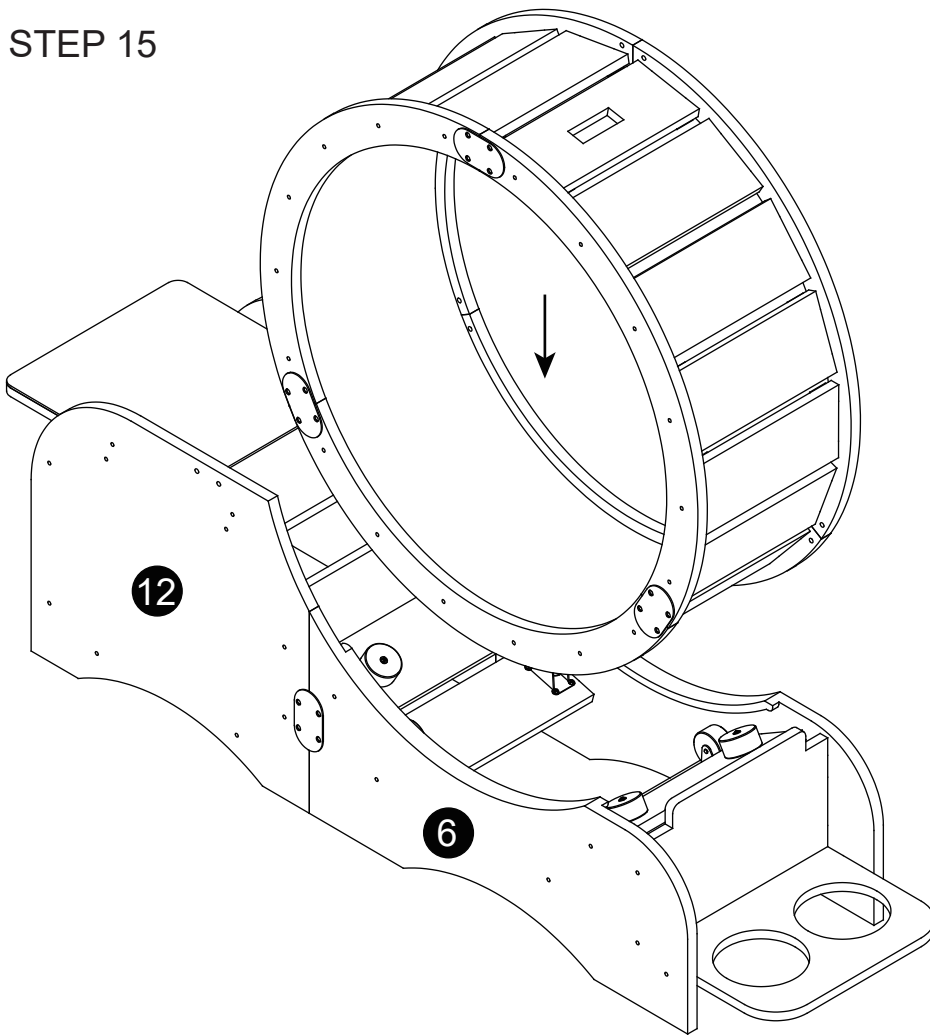
A	X8
	

STEP 14



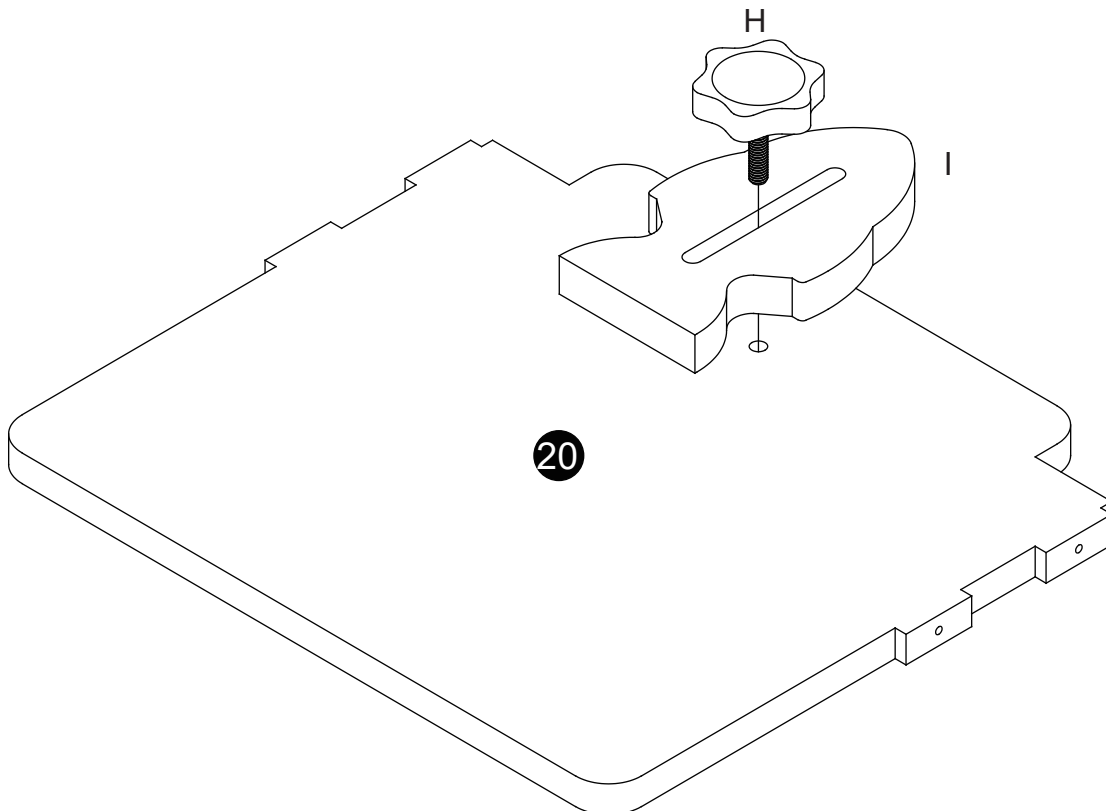
B	X8
	
C	X2
	

STEP 15



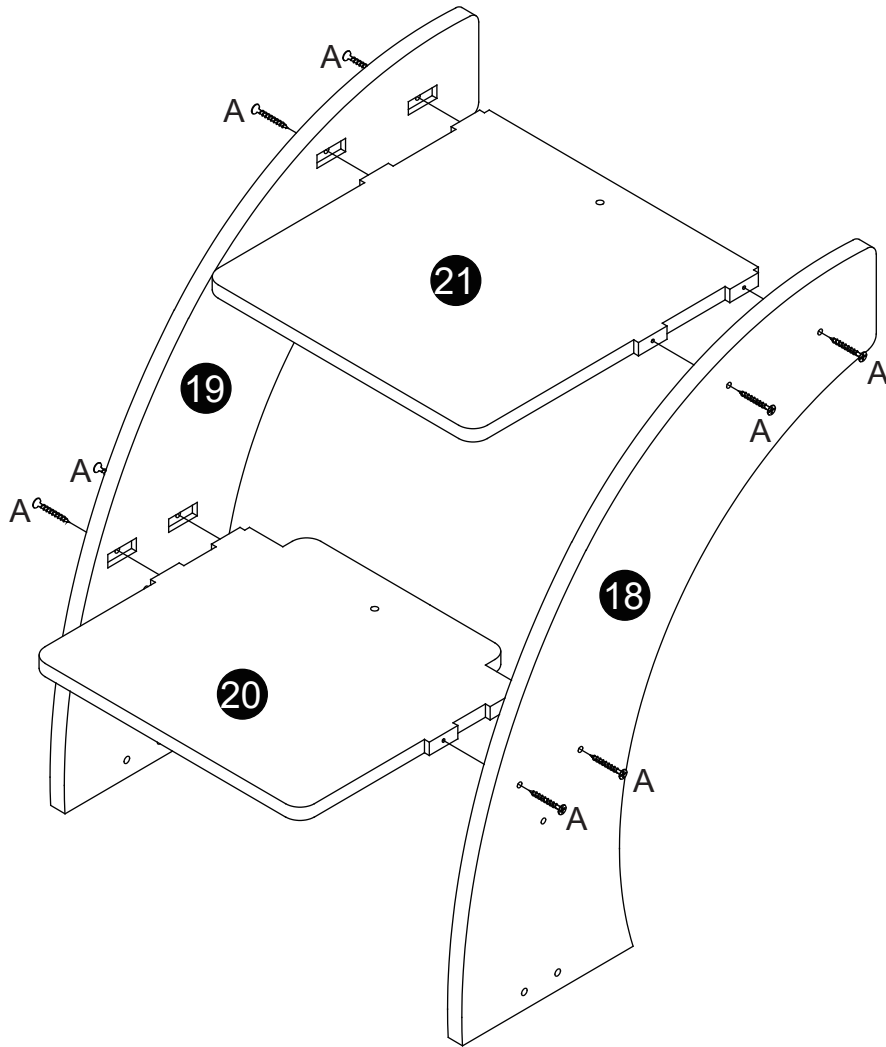
When installing the wheel to the base, the wheel combination hinge plates should avoid the base to prevent damage to the base.

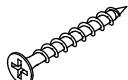
STEP 16



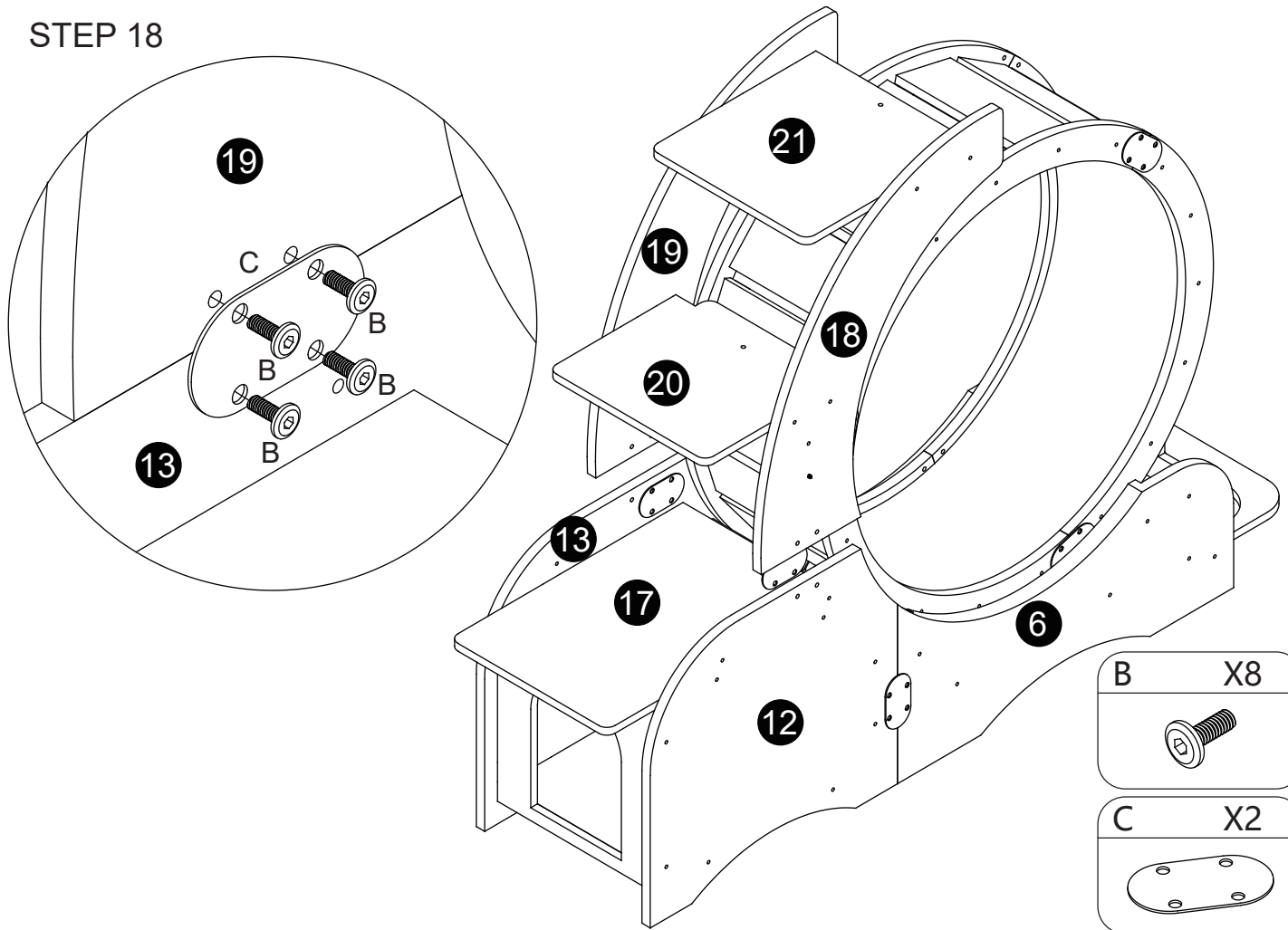
H	X1
I	X1


STEP 17

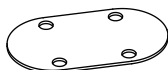


A	X8
	

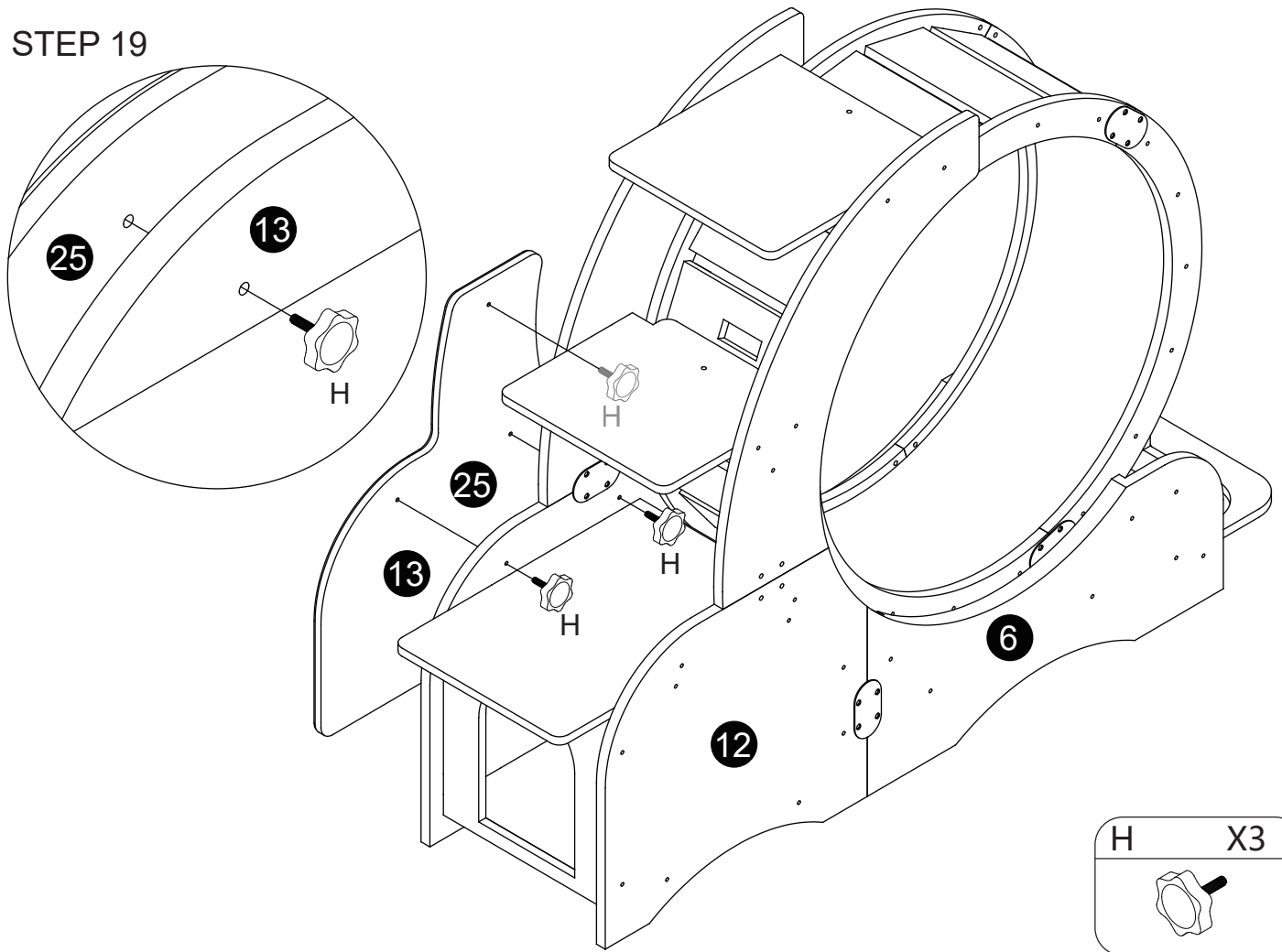
STEP 18



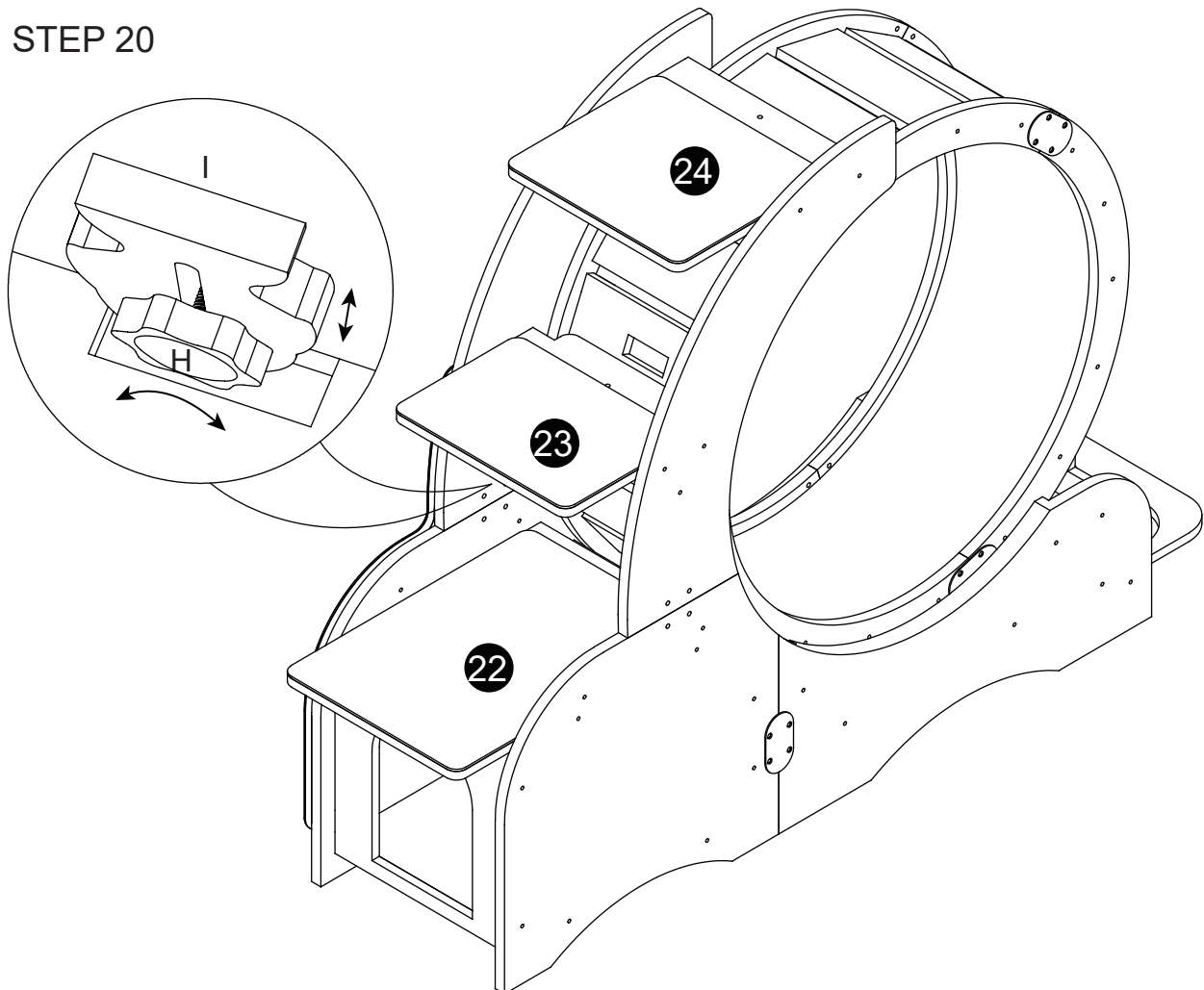
B	X8
	

C	X2
	

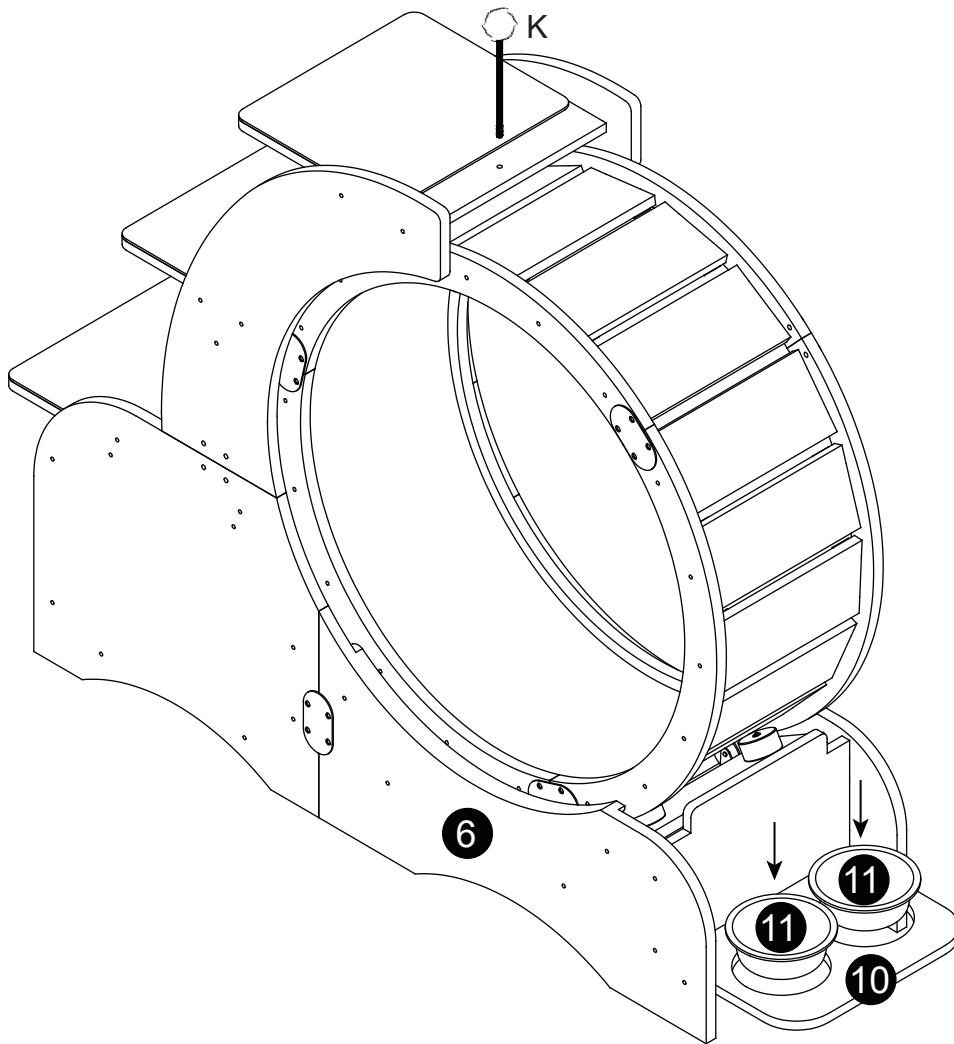
STEP 19



STEP 20



STEP 21



STEP 22

