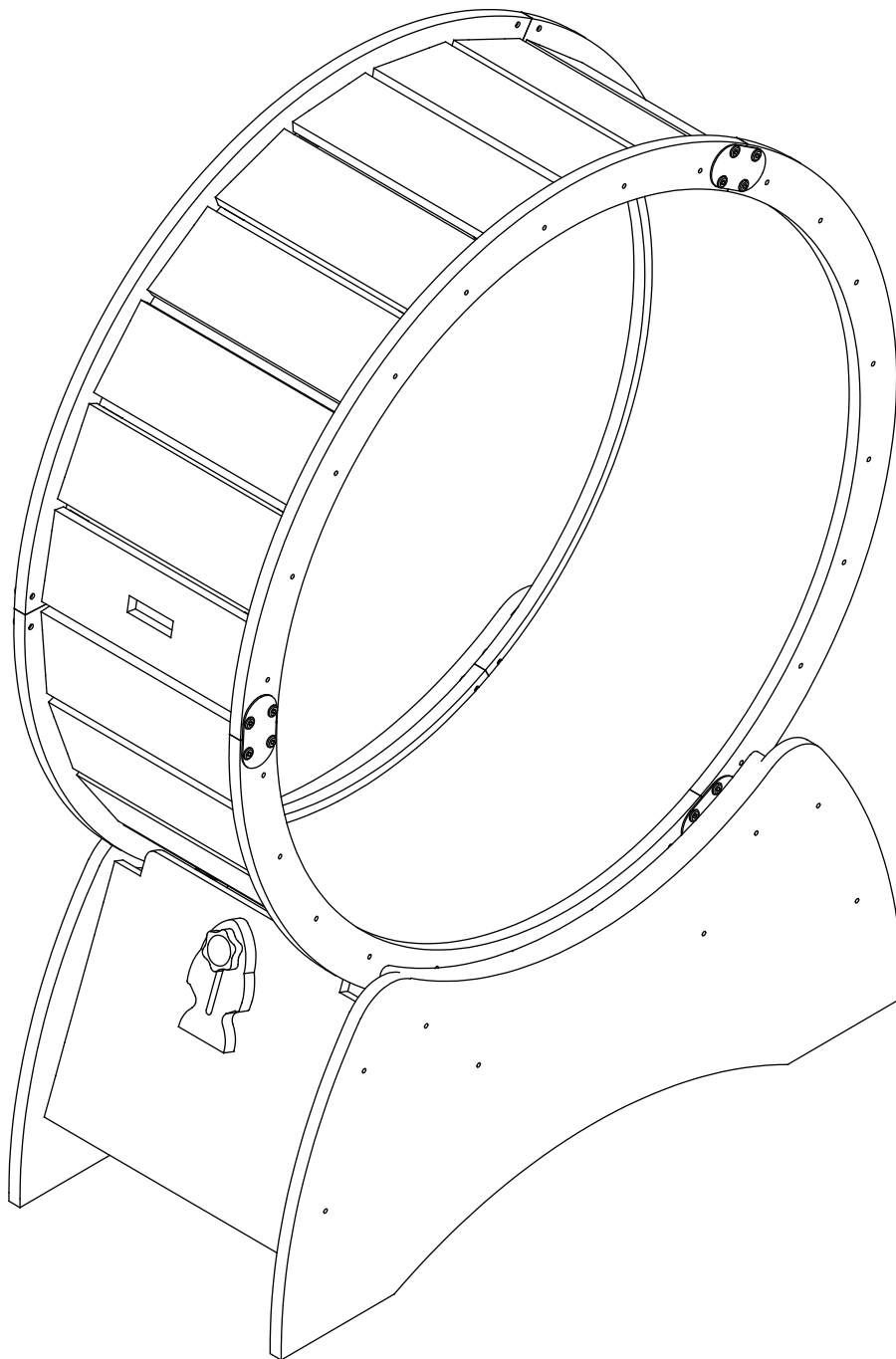
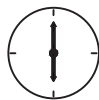


Max
10KG



2PER



30 MIN

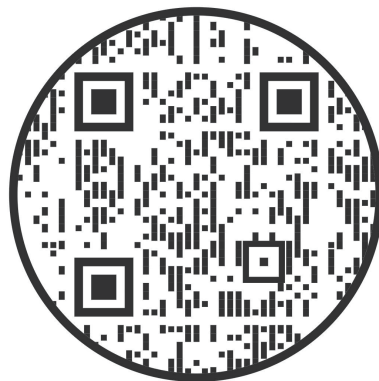
Explanation

1. Please read this instruction carefully before using it.
2. Before the installation, please check the parts list to make sure the package includes all parts.

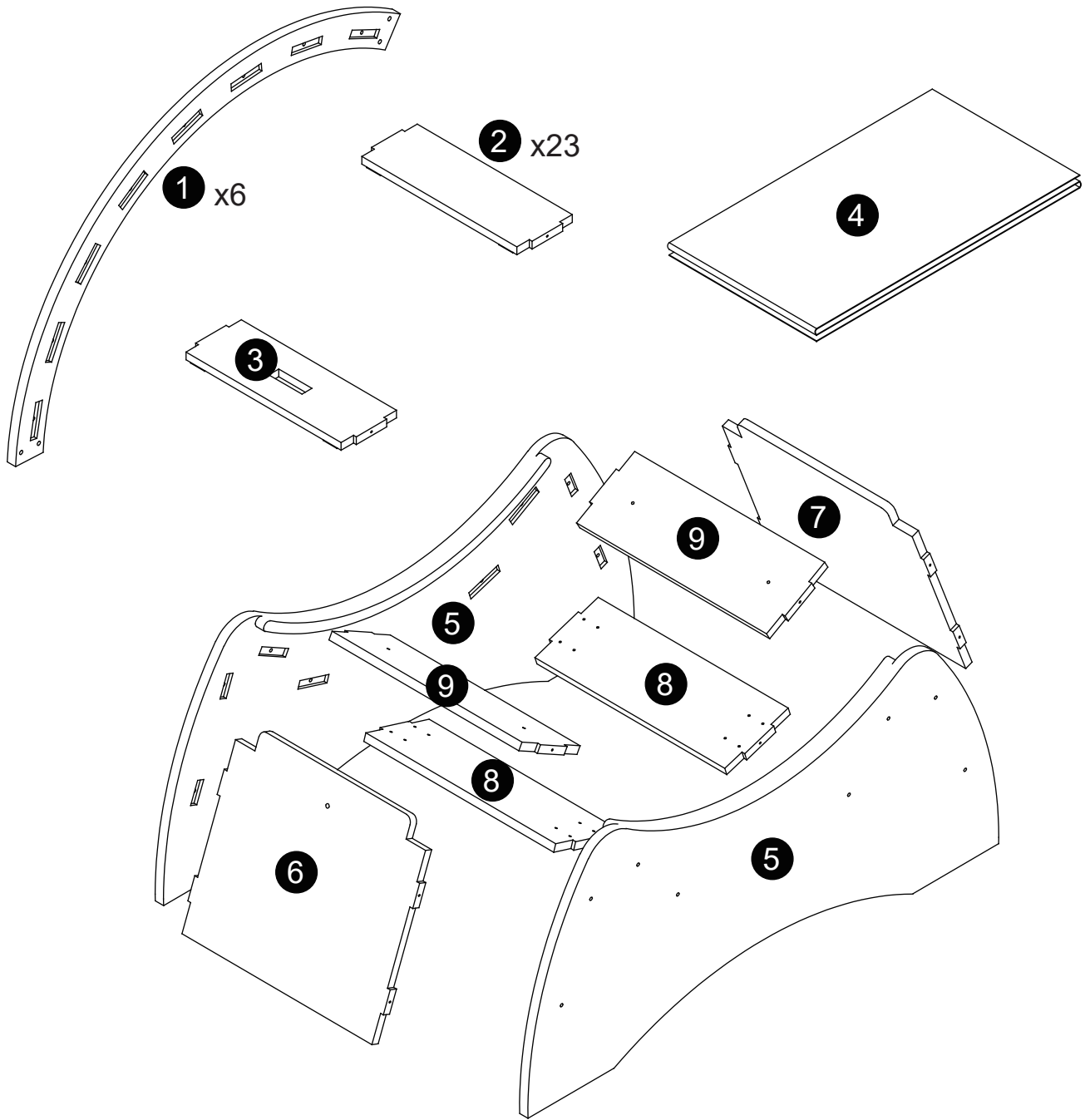
Installation Notes

1. Before tightening the eccentric wheel [B], double check that the installation is OK.
2. When using power tools, when the screw is drilled to the bottom, please stop continuing to drill down, otherwise it will easily cause the panel to burst.

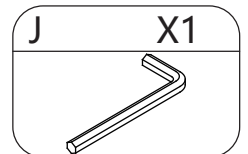
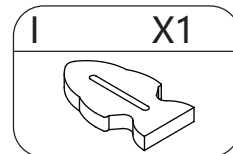
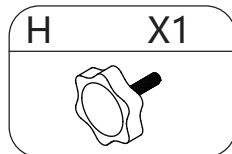
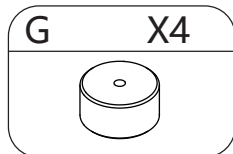
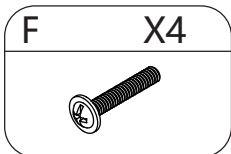
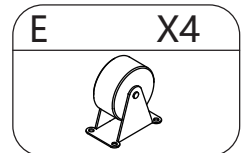
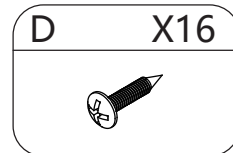
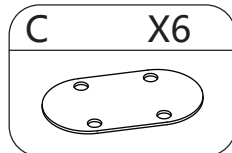
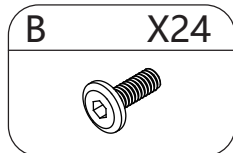
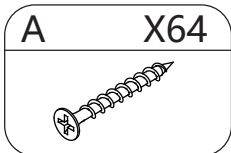
Please scan the QR code for installation help.



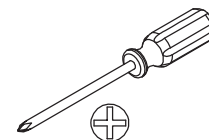
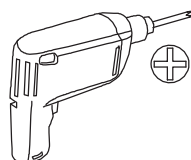
PART LIST



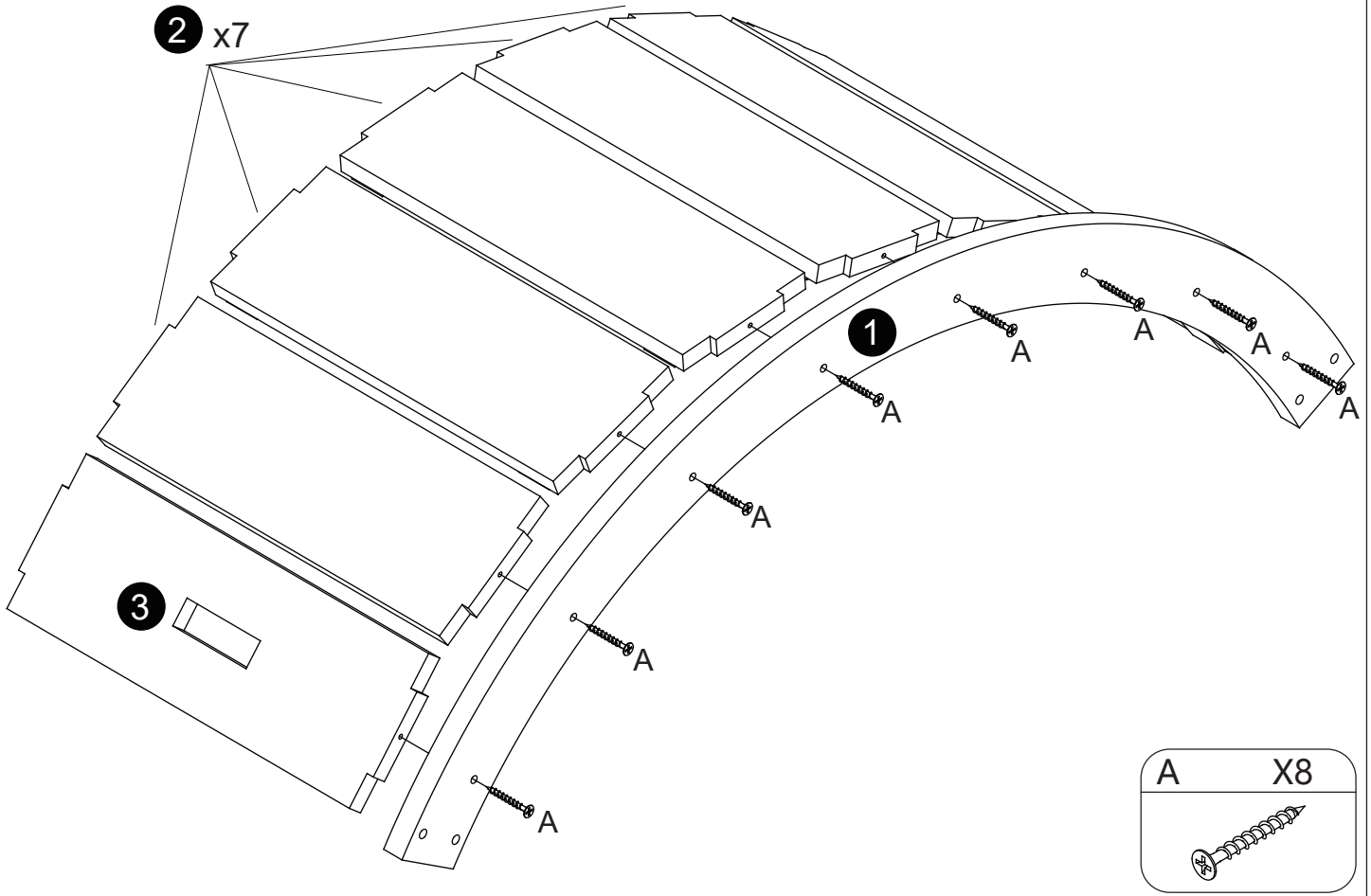
HARDWARE LIST



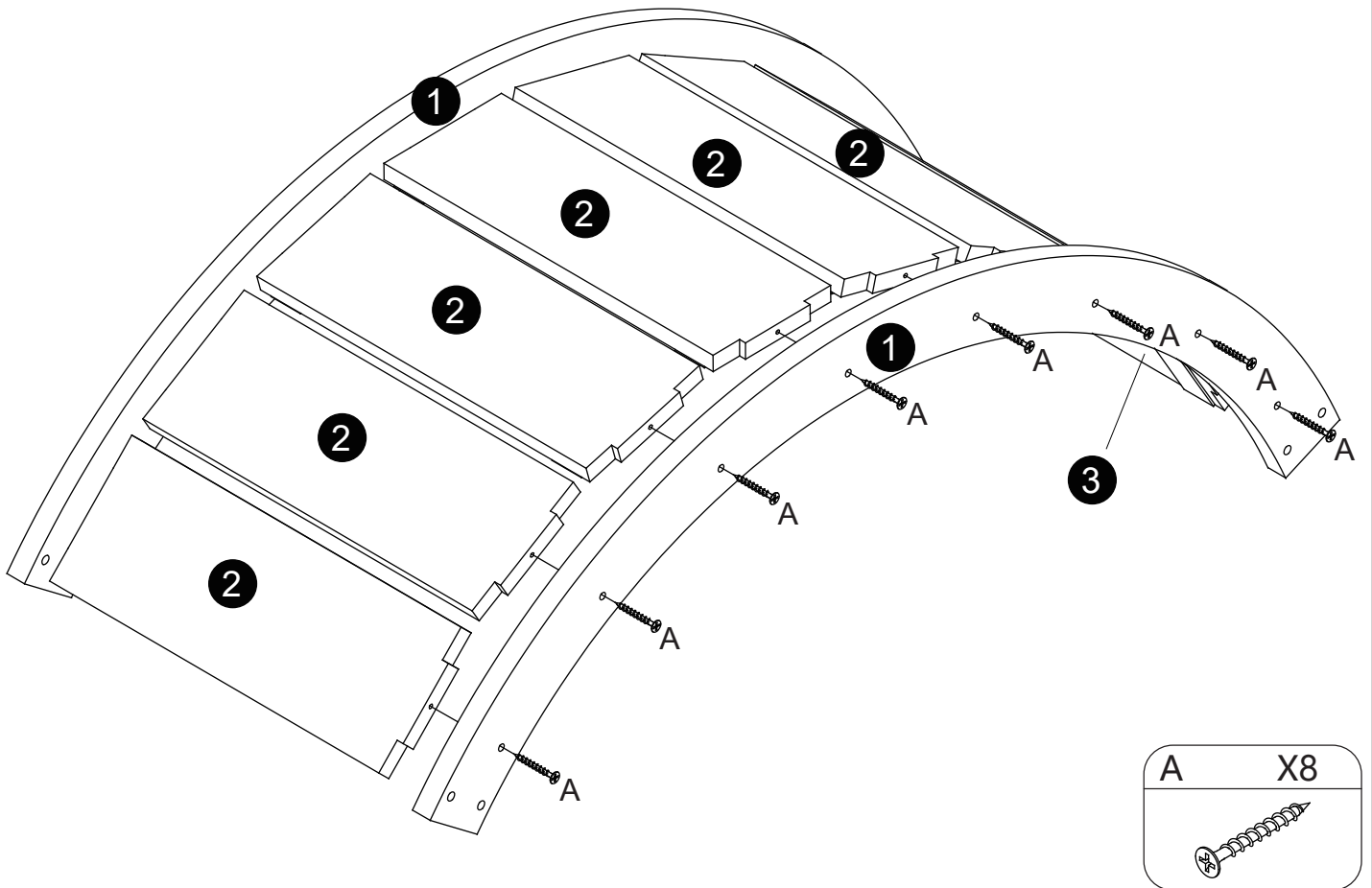
Recommended tools (not included)



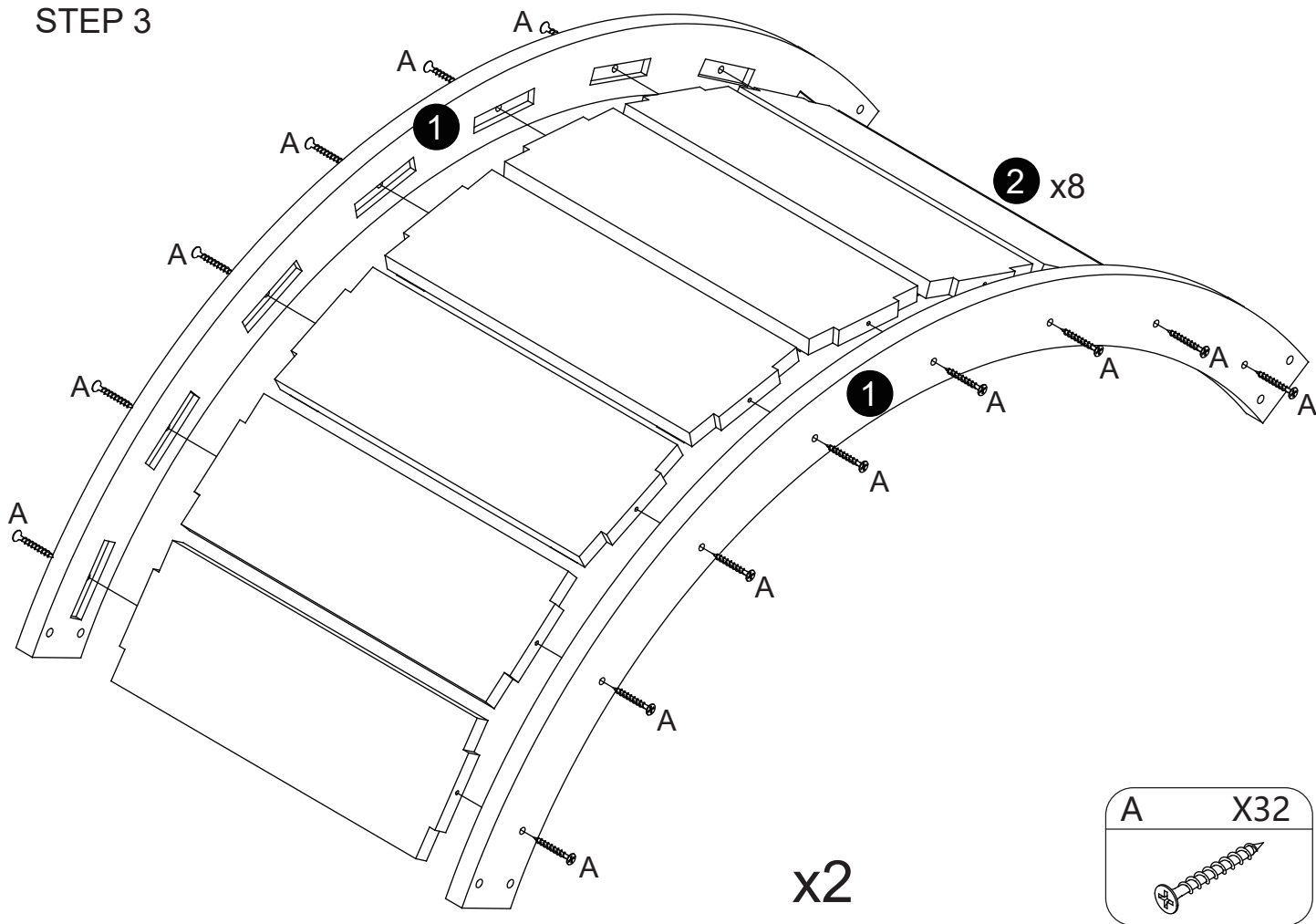
STEP 1



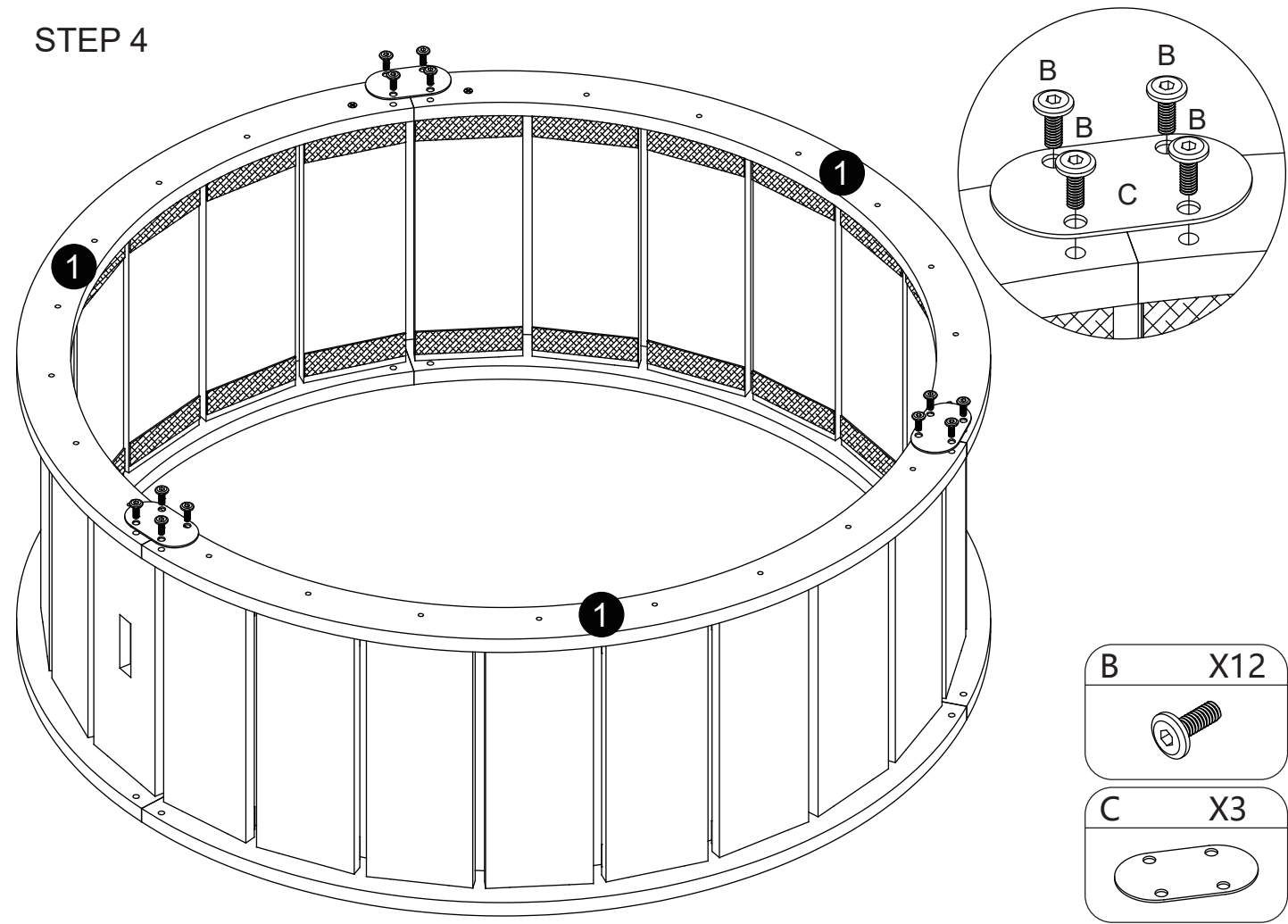
STEP 2



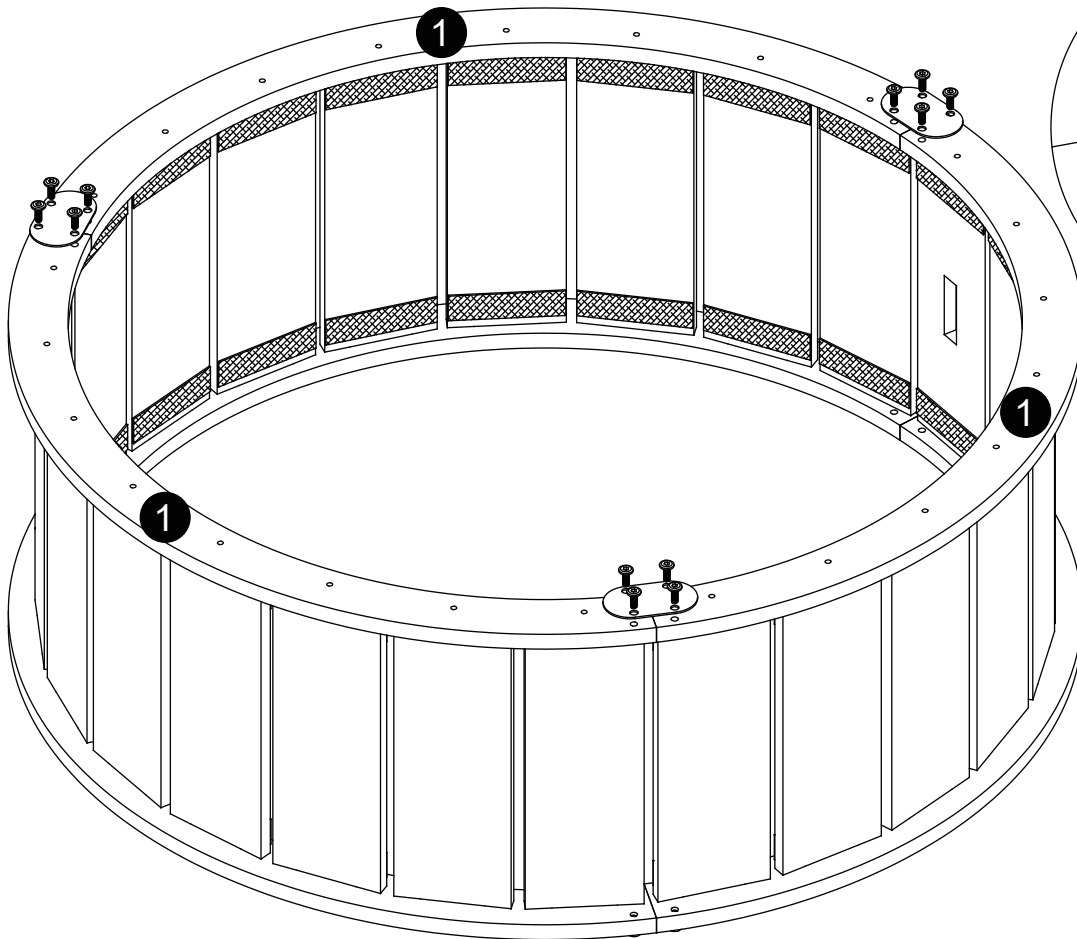
STEP 3


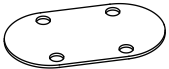


STEP 4

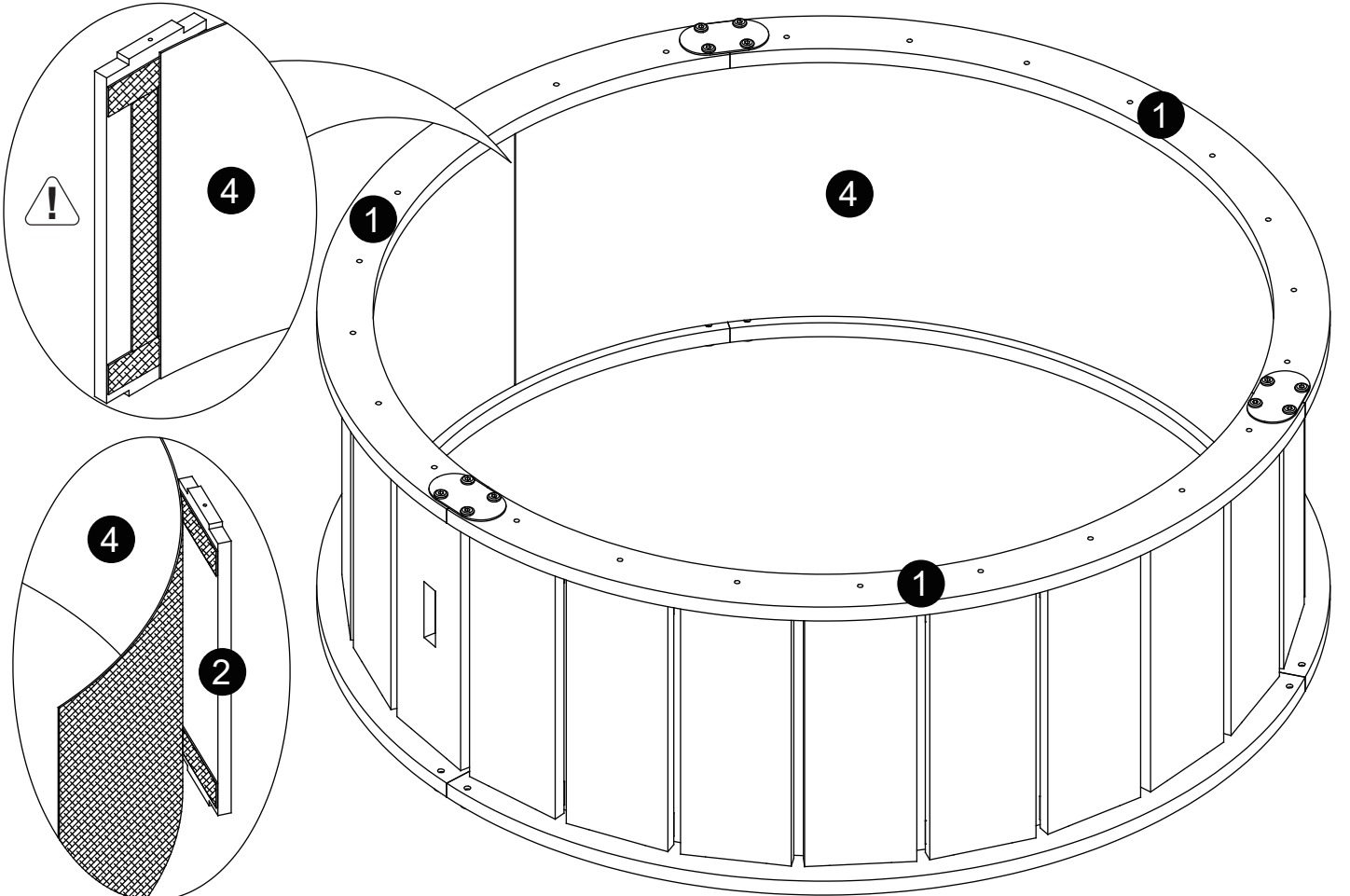


STEP 5

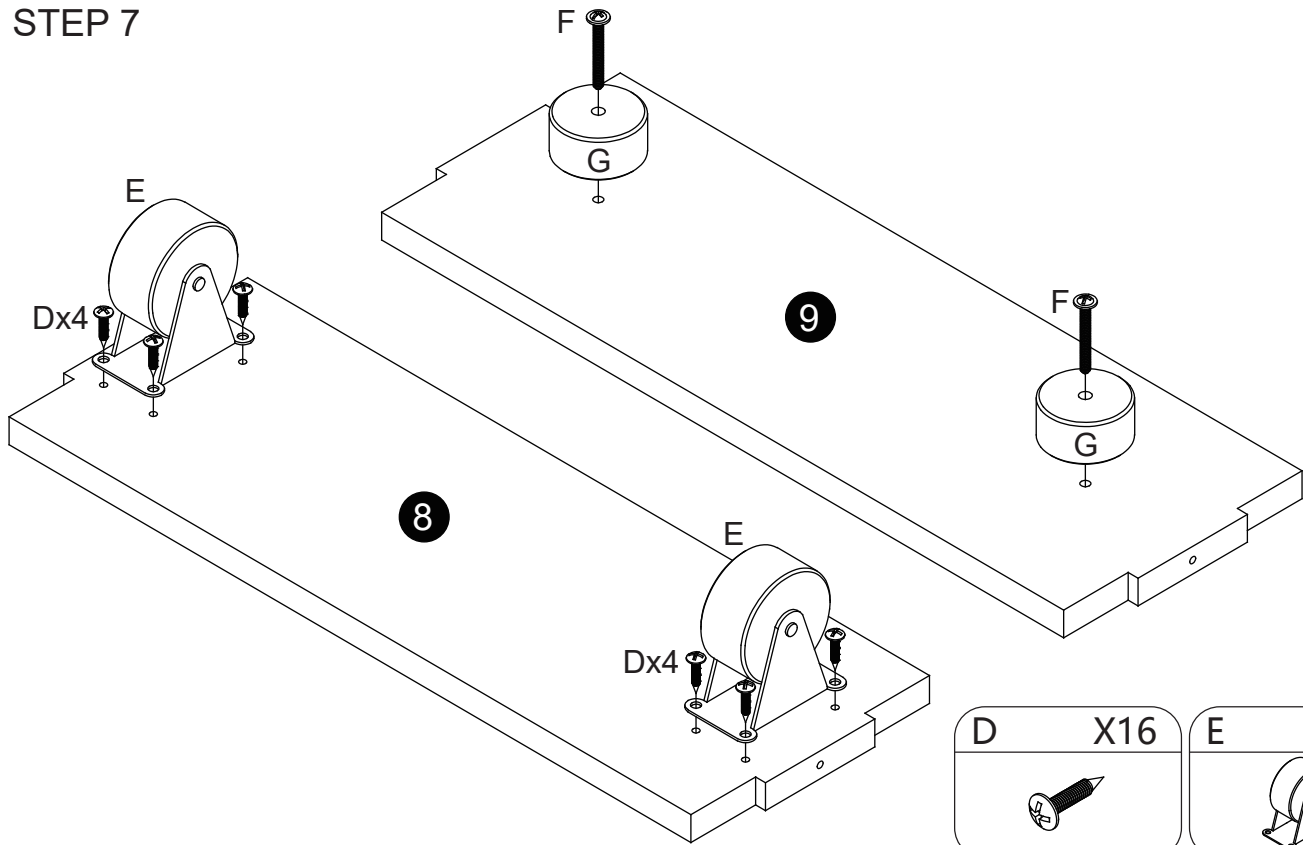


B	X12
	
C	X3
	

STEP 6



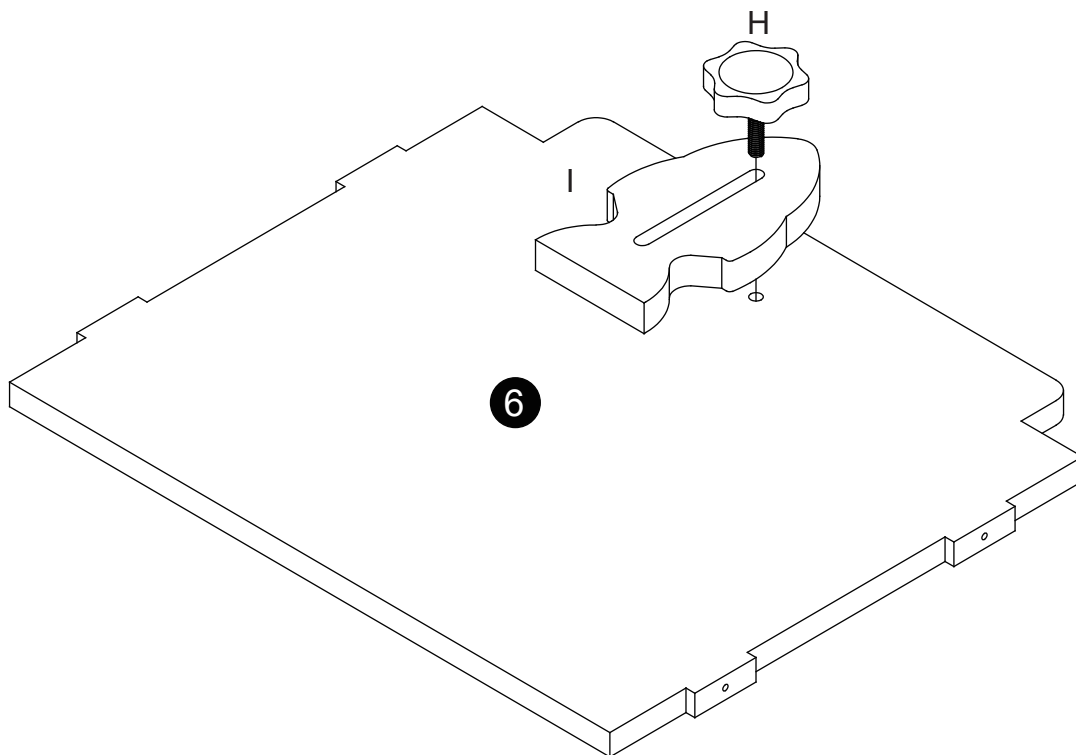
STEP 7



D	X16	E	X4
F	X4	G	X4

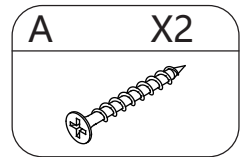
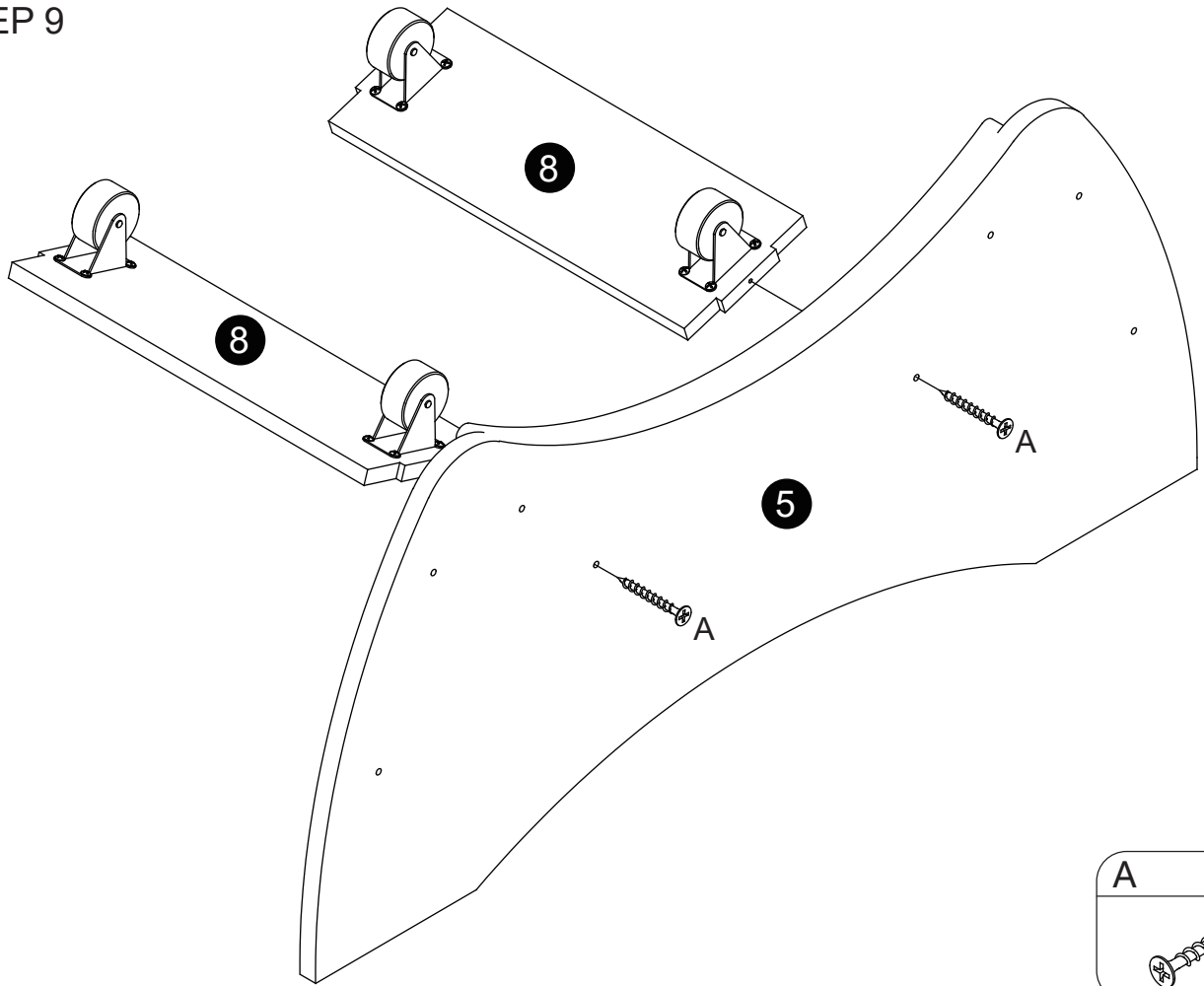
x2

STEP 8

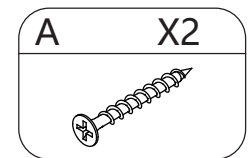
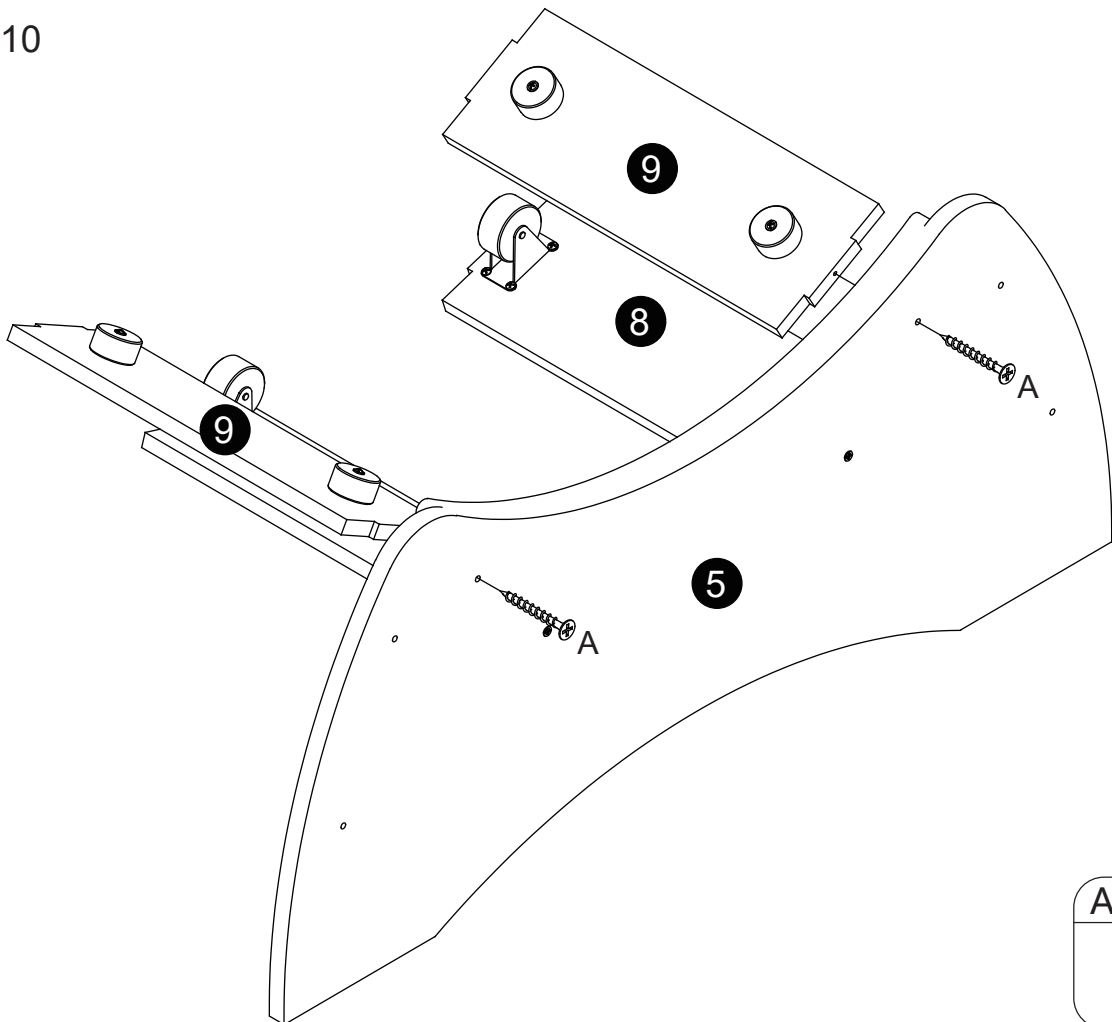


H	X1
I	X1

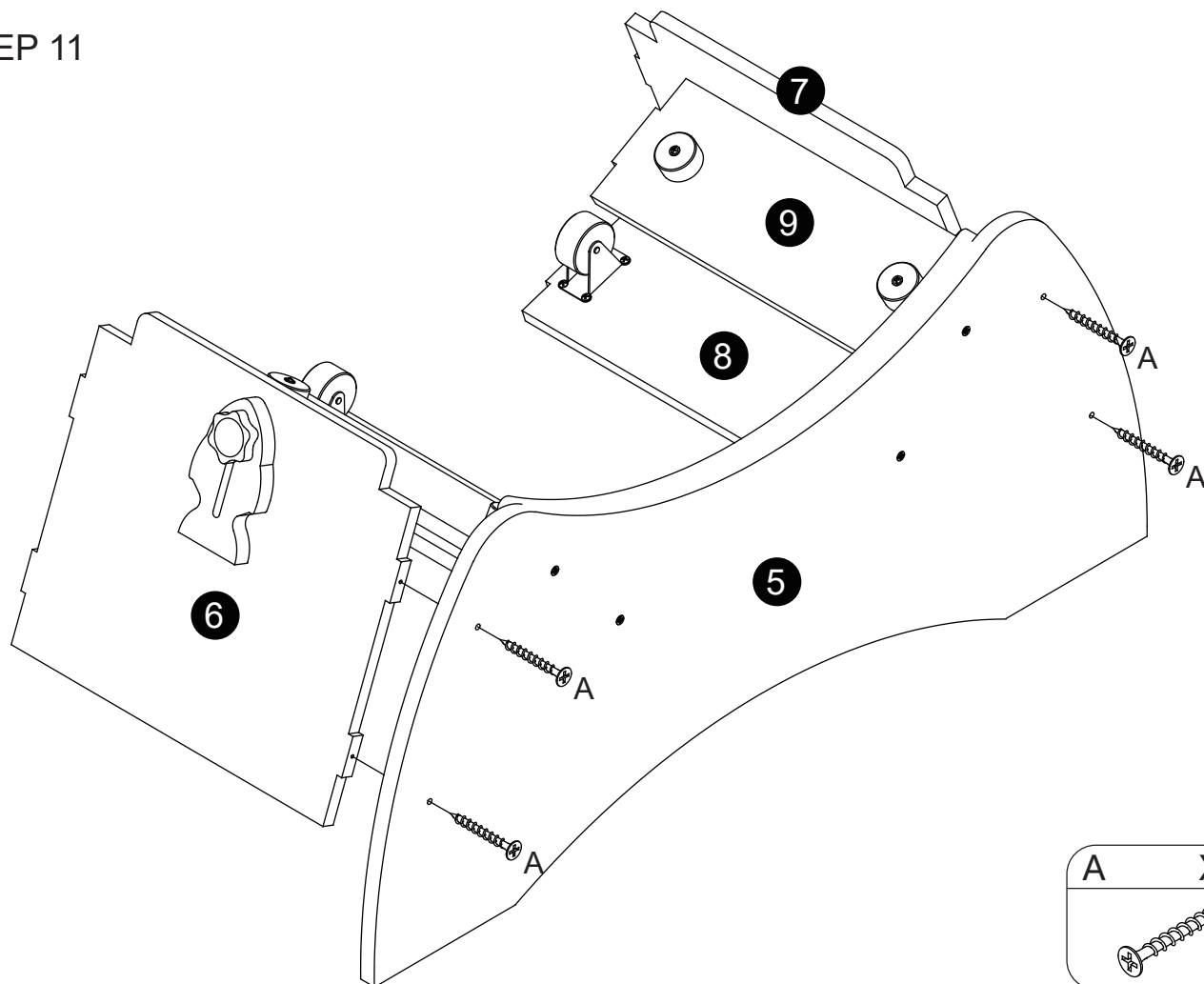
STEP 9



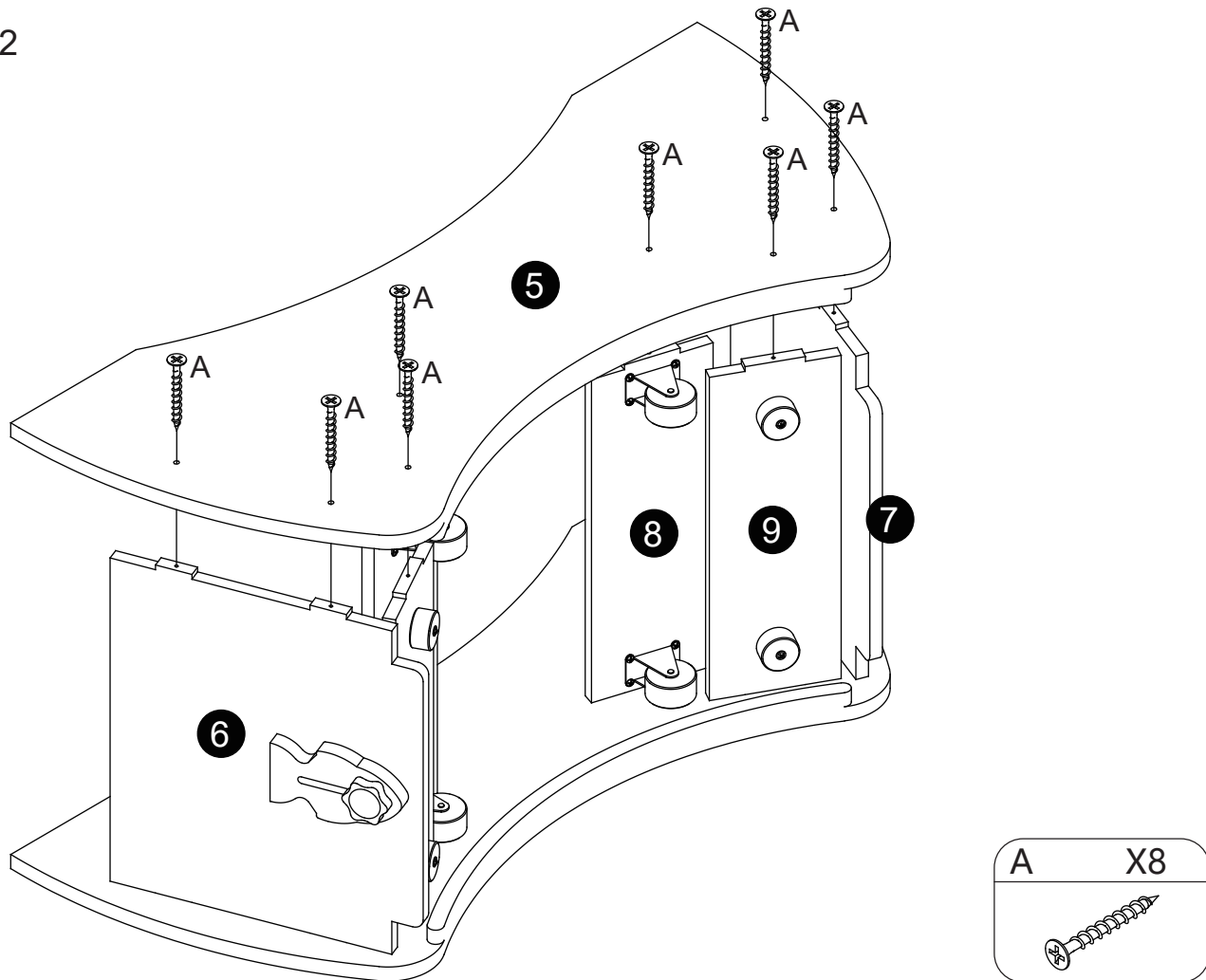
STEP 10



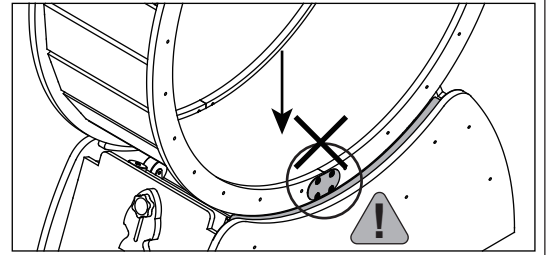
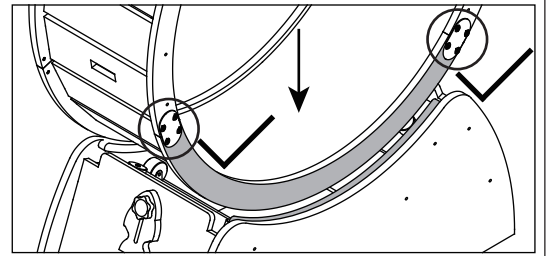
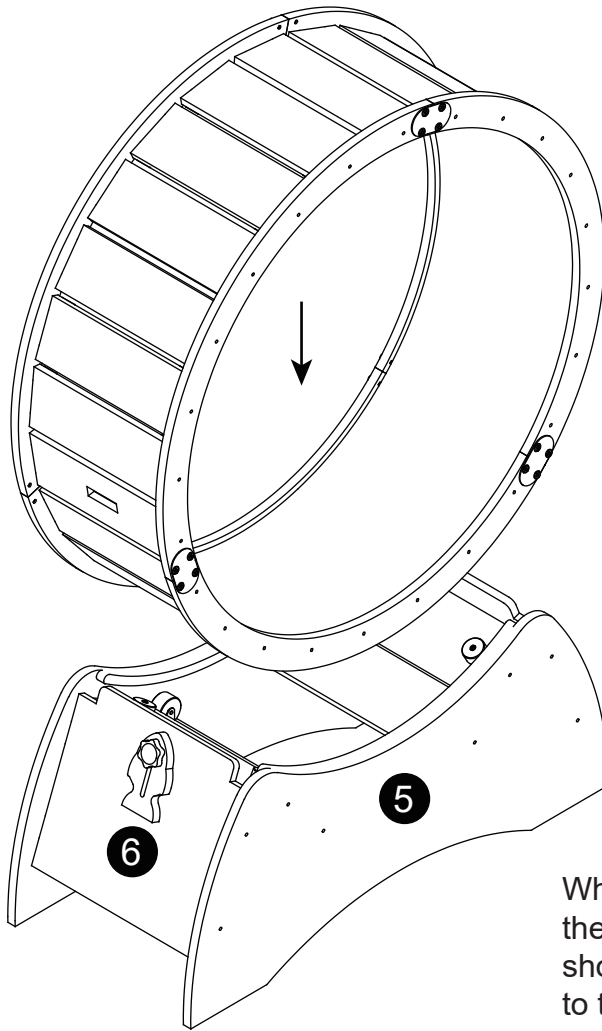
STEP 11



STEP 12



STEP 13



When installing the wheel to the base, the wheel combination hinge plates should avoid the base to prevent damage to the base.

STEP 14

