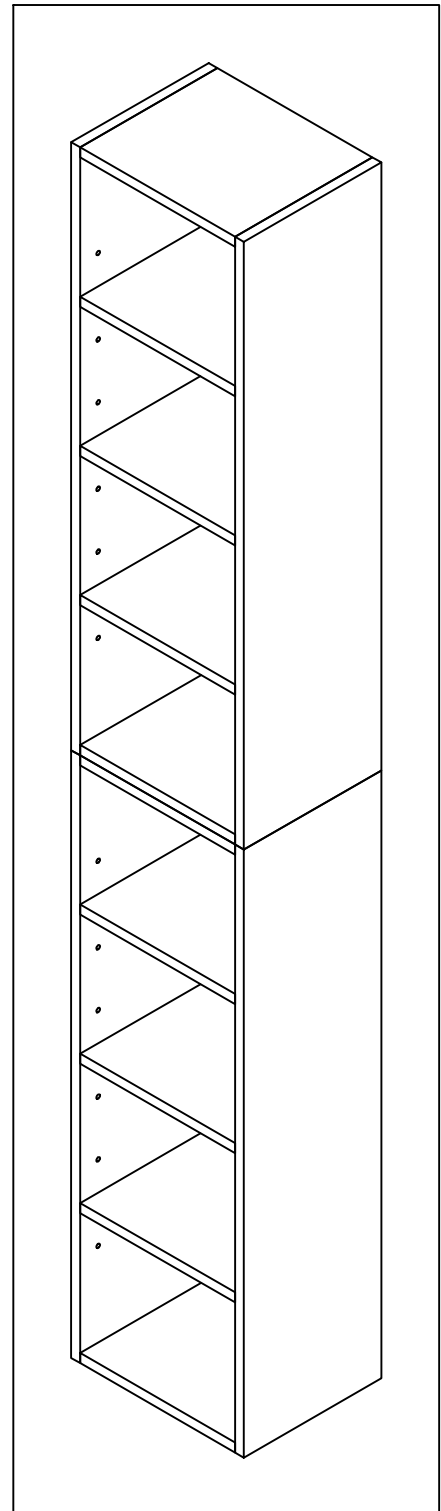
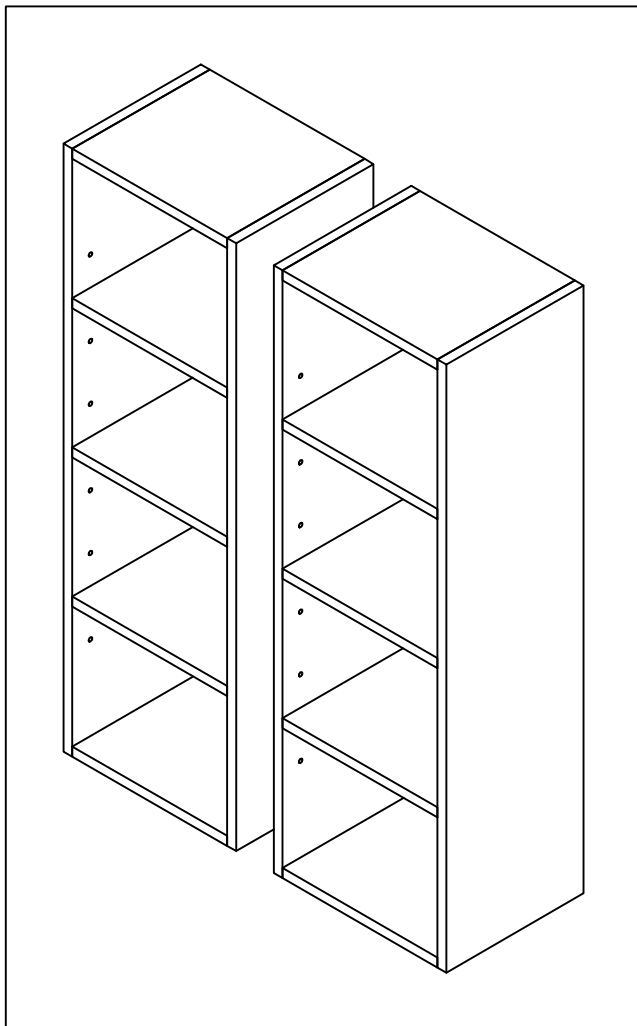


ASSEMBLY INSTRUCTION

Combination 2

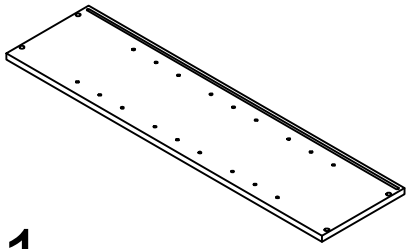


Combination 1

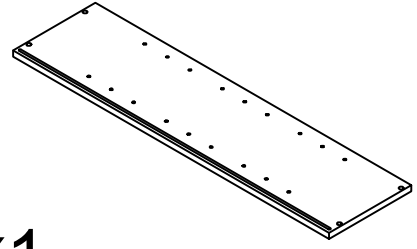


Hardware List

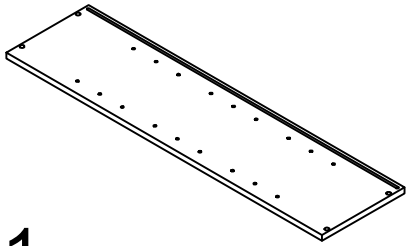
① x1



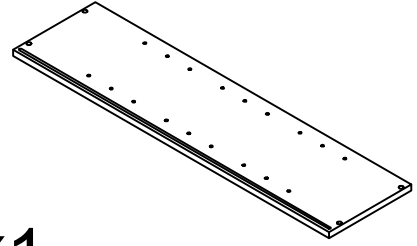
② x1



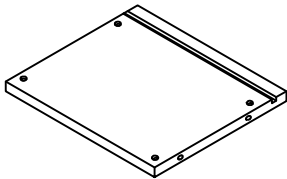
③ x1



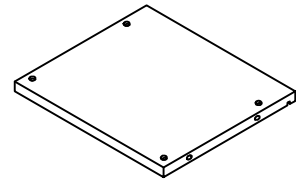
④ x1



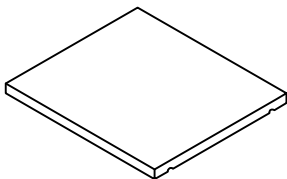
⑤ x2



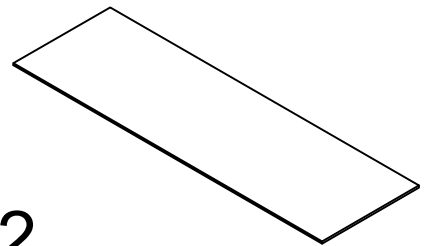
⑥ x2



⑦ x6



⑧ x2



⑨ x16+1



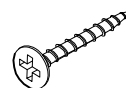
⑩ x16+1



⑪ x24+2



⑫ x4



Hardware List

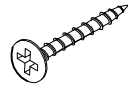
13

X16+1



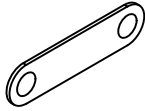
14

X16+1



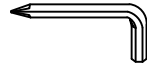
15

X2

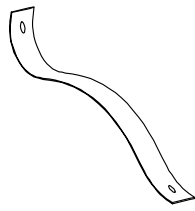


16

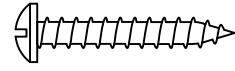
X1



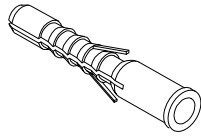
Tip Restraint Kit



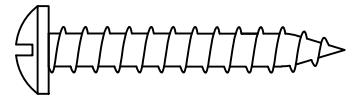
a x2



b x2

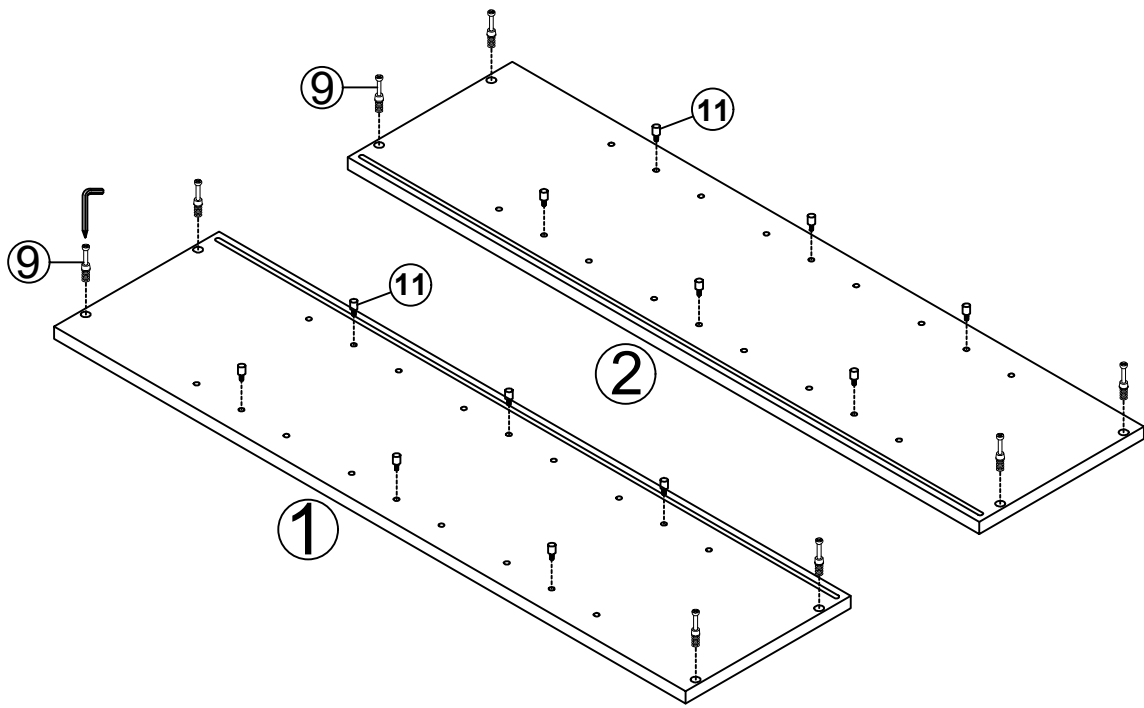


C x2

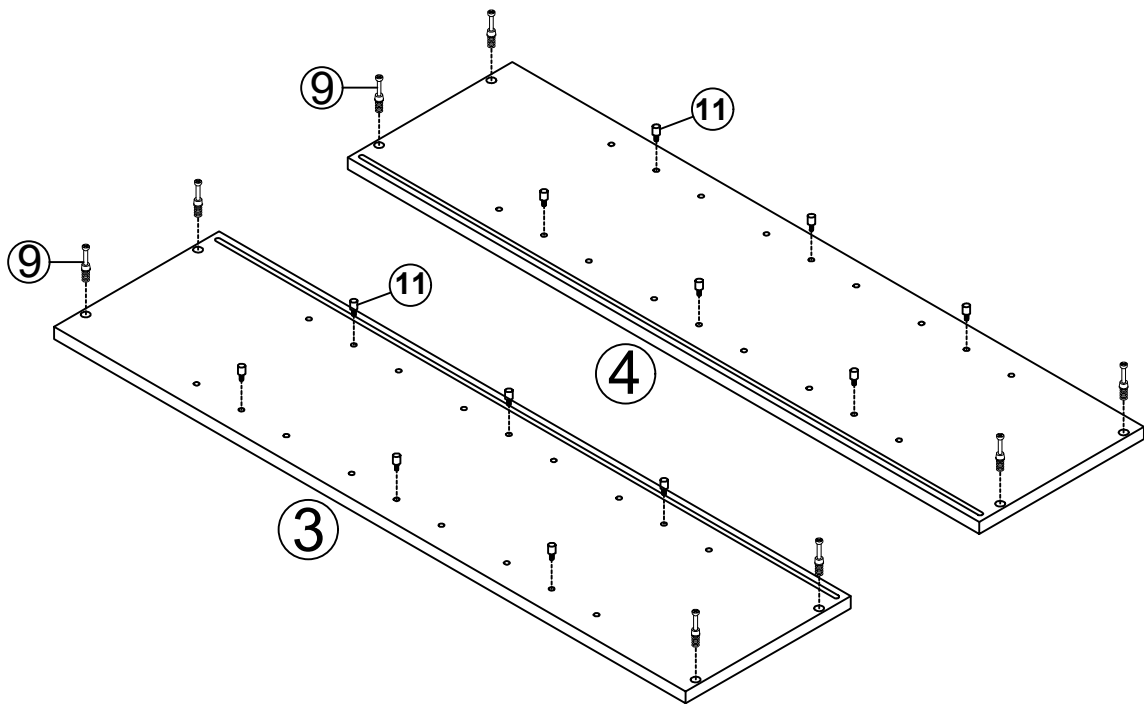


D x2

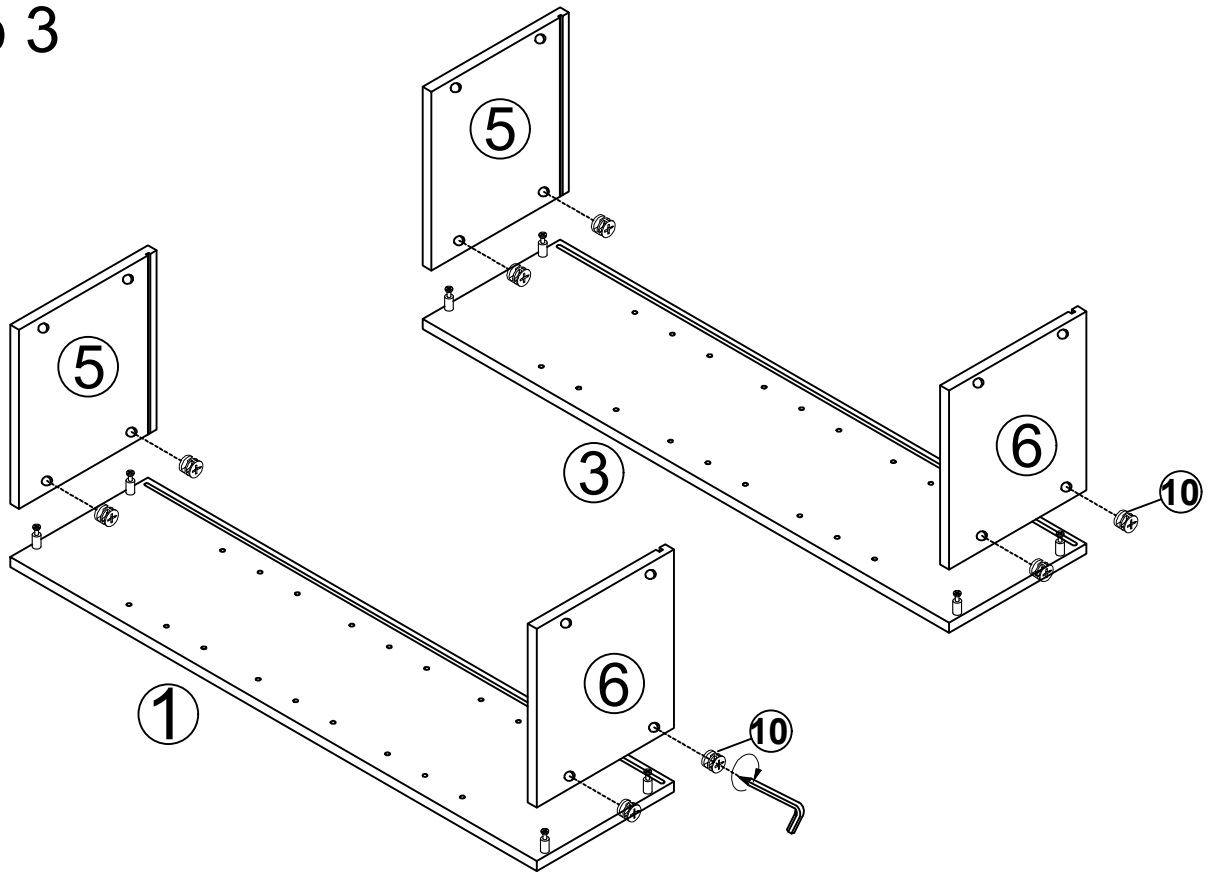
Step 1



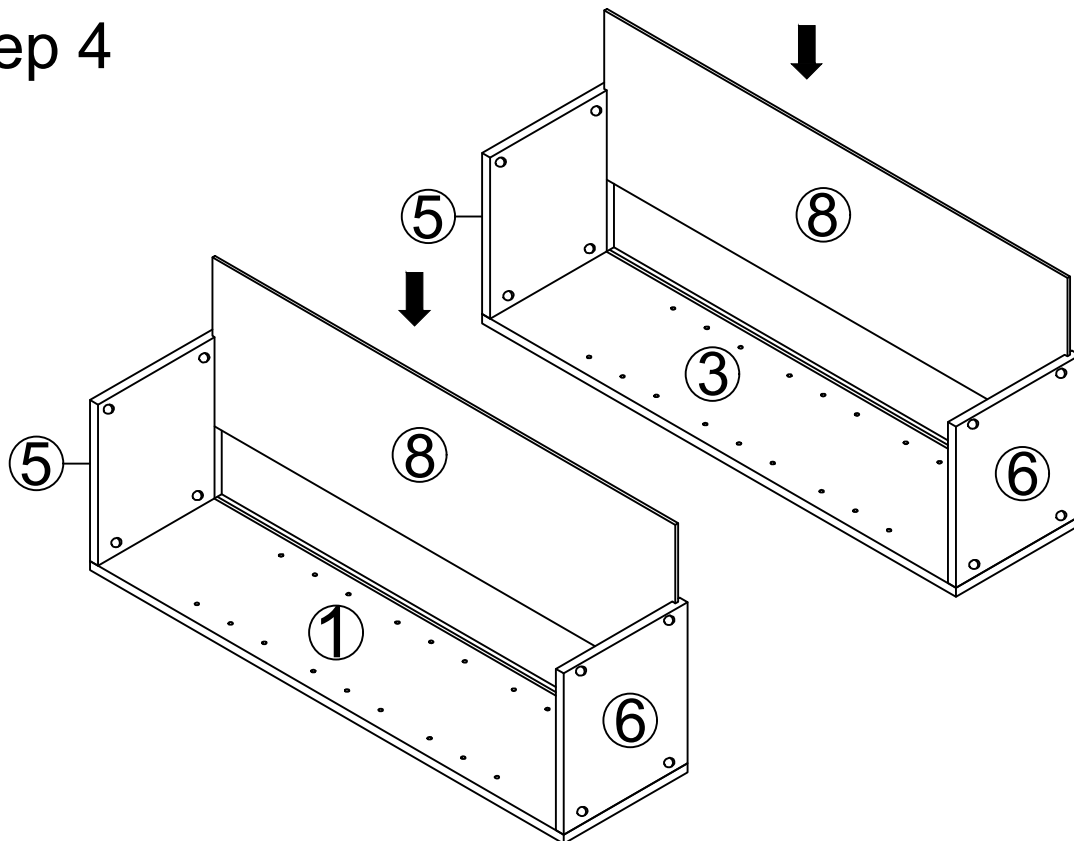
Step 2



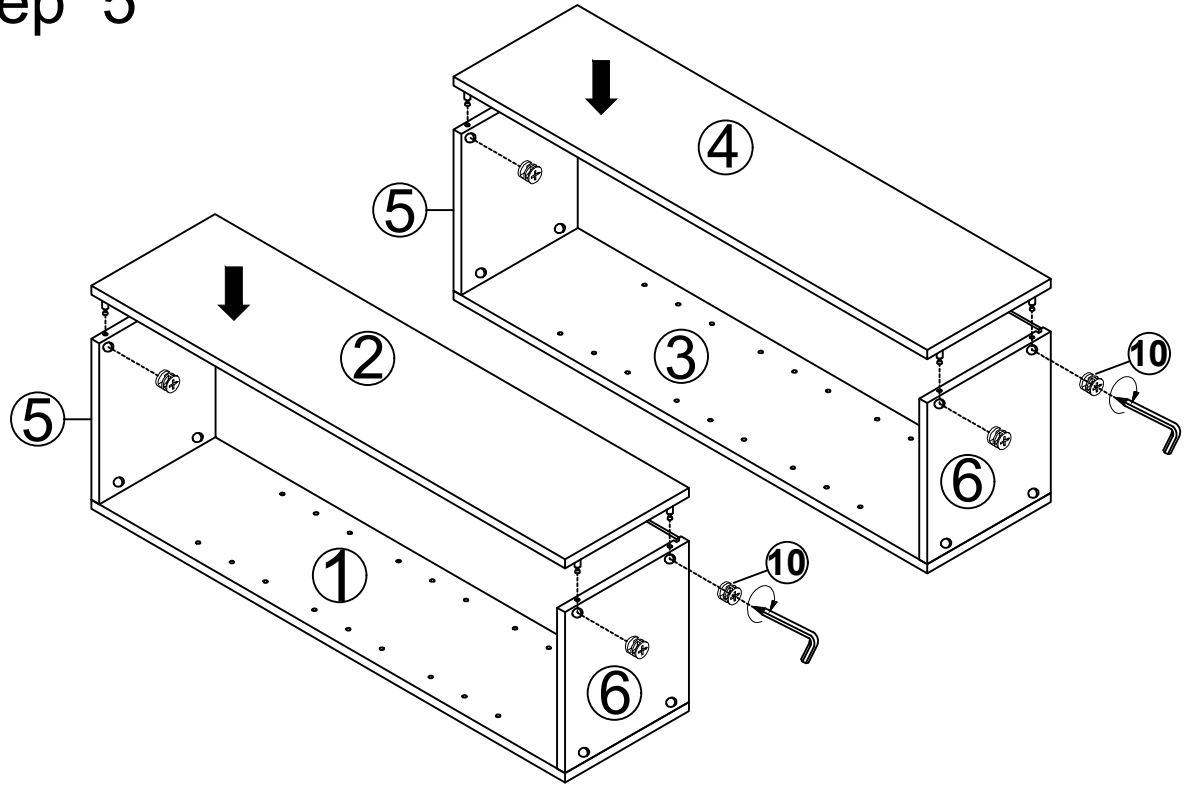
Step 3



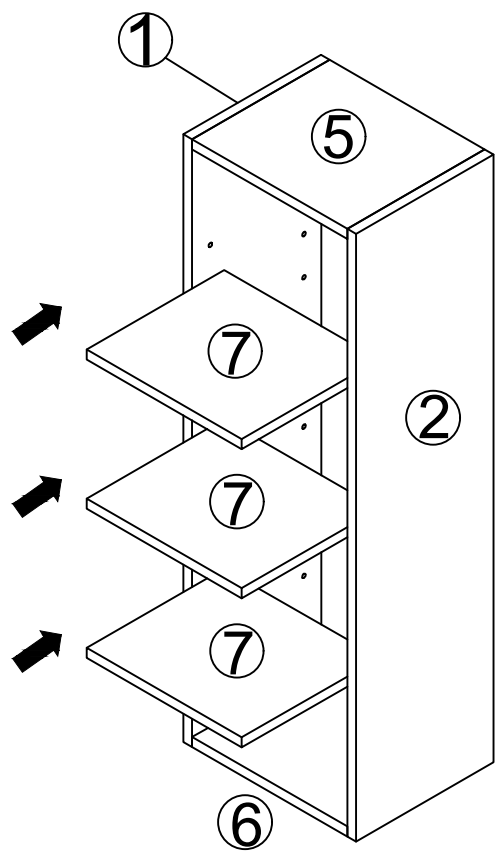
Step 4



Step 5

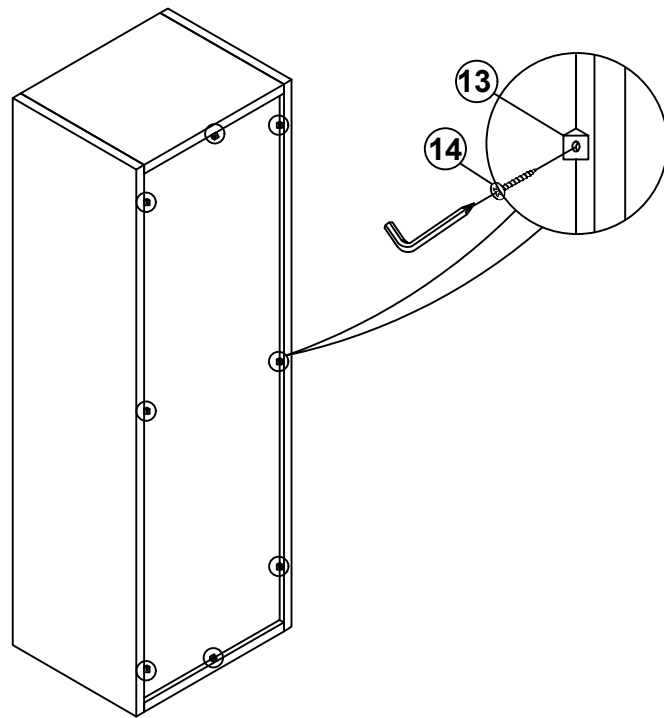


Step 6



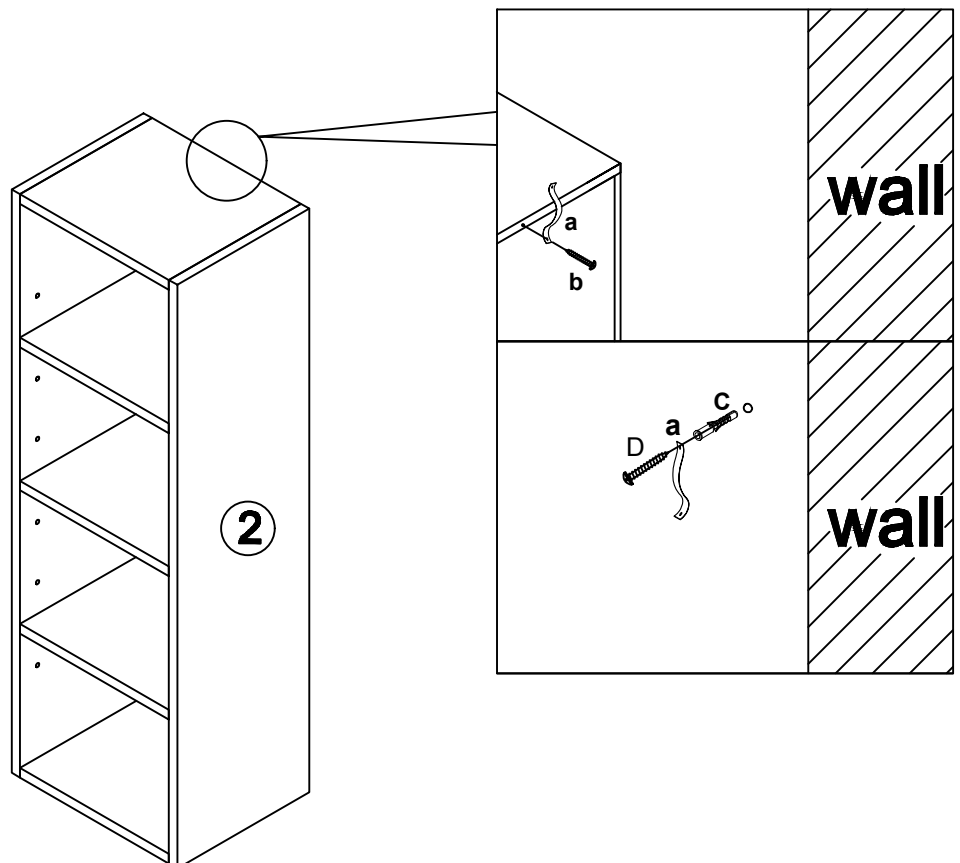
x 2

Step 7

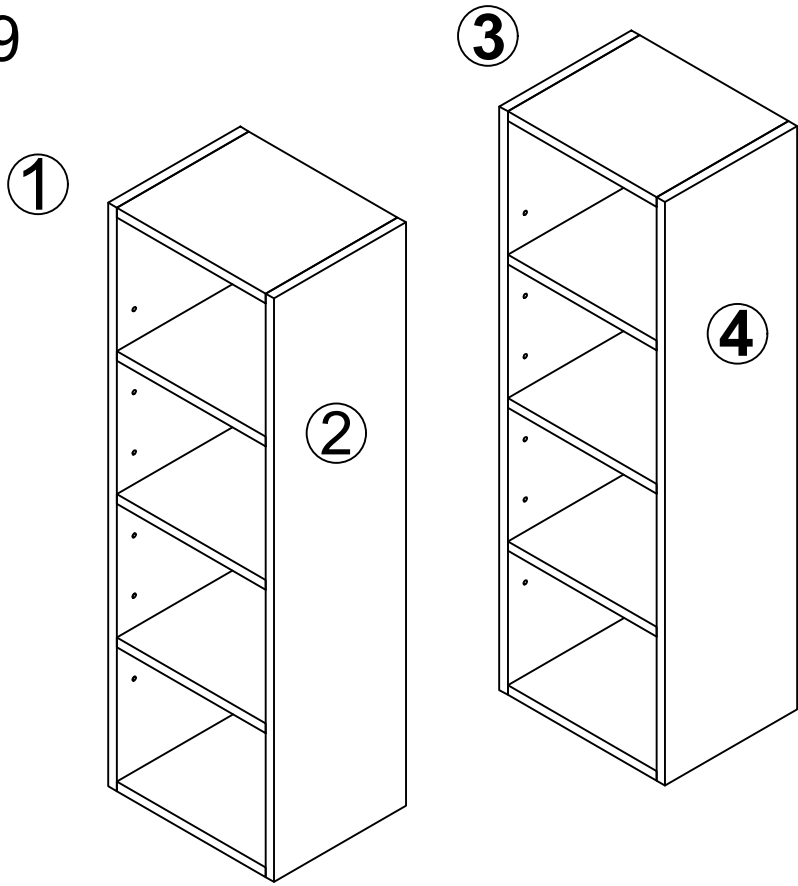


x 2

Step 8

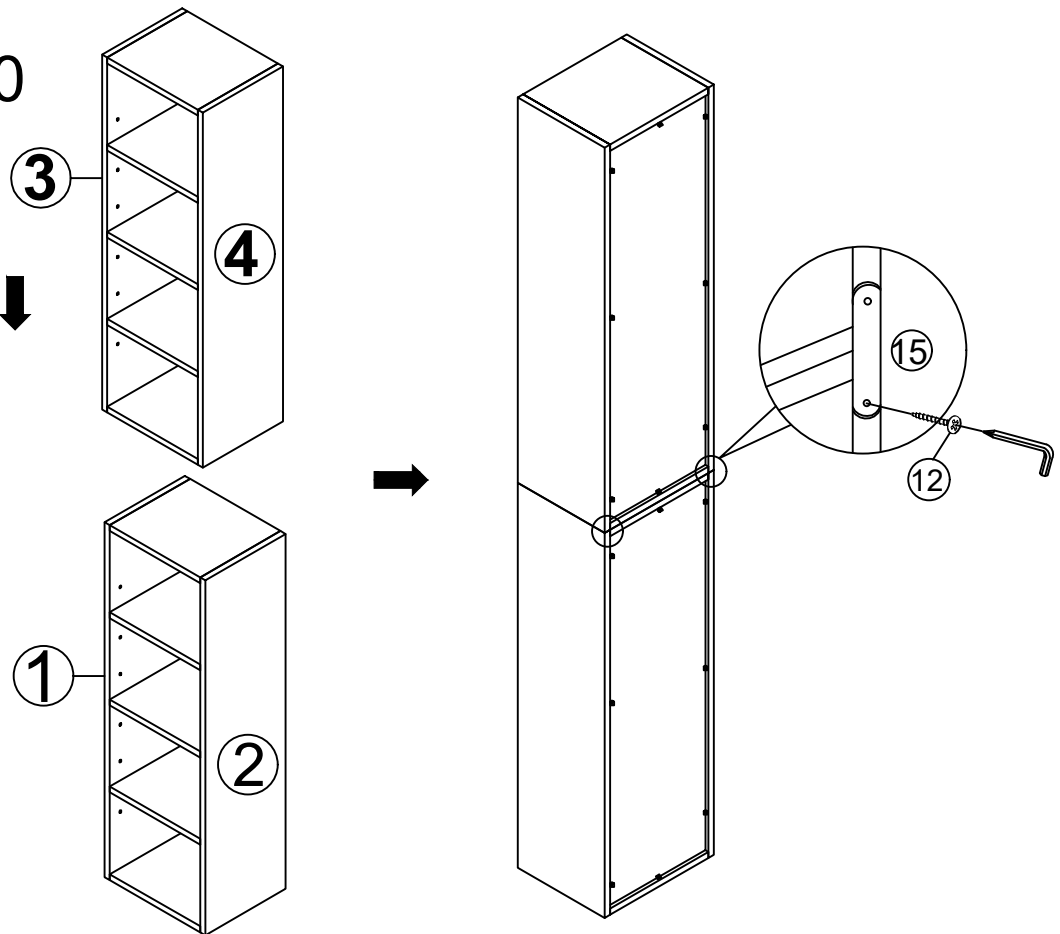


Step 9



x 2

Step 10



Step 11

