

# Assembly Instruction for BAR TABLE SINGLE PACK (TABLE + 3 STOOLS)

CXY2365-01-02-03

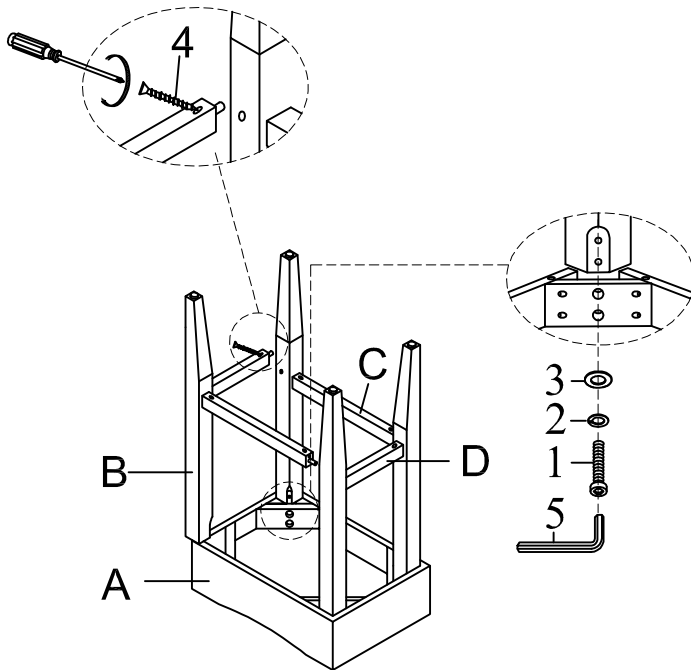
PART LIST		
No.	PART DESC	Q'TY
A	STOOL SEAT FARMER WITH CUSHION	3
B	STOOL LEGS	12
C	STOOL FRONT & BACK STRETCHER	6
D	STOOL LEFT & RIGHT STRETCHER	6
E	COUNTER BAR TABLE TOP	1
F	COUNTER BAR LEFT LEG	1
G	COUNTER BAR RIGHT LEG	1
H	COUNTER BAR CENTERLINE RAIL	1
I	COUNTER BAR L&R BACK RAIL	2

HARDWARE LIST			
NO.	HARDWARE DESC	CODE.	Q'TY
1	ALLEN BOLT (1/4"x 50mm)	3 STOOL	24
2	SPRING WASHER(1/4")		24
3	FLAT WASHER (1/4"x 19mm)		24
4	SCREW (45mm)		24
5	ALLEN KEY(M4)		3
6	ALLEN BOLT (5/16"x38mm)	TABLE	4
7	SPRING WASHER (5/16")		4
8	FLAT WASHER(5/16"x 22mm)		4
9	ALLEN KEY (M5)		1
10	SCREW (45mm)		6

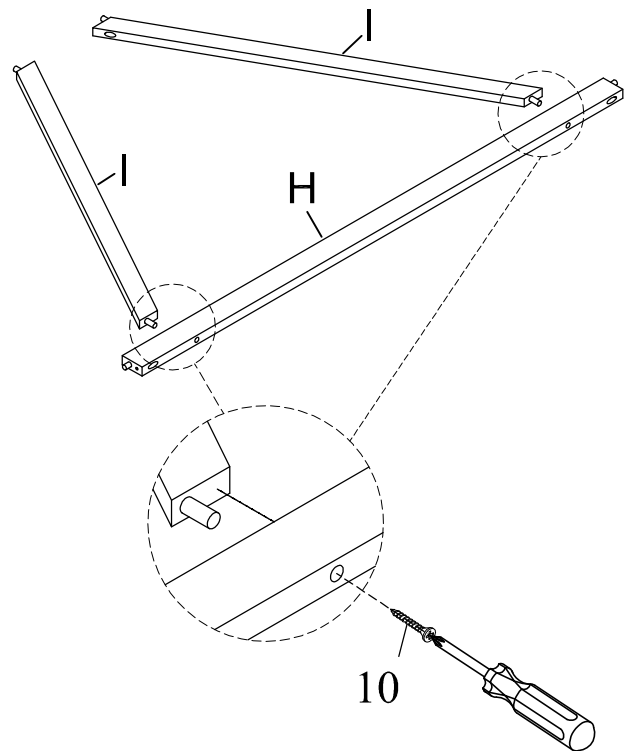
TOOLS REQUIRED (NOT PROVIDED)	
	Phillips Screw Driver

NOTES : Do not fully tighten any bolts until last step.

### STEP : 1

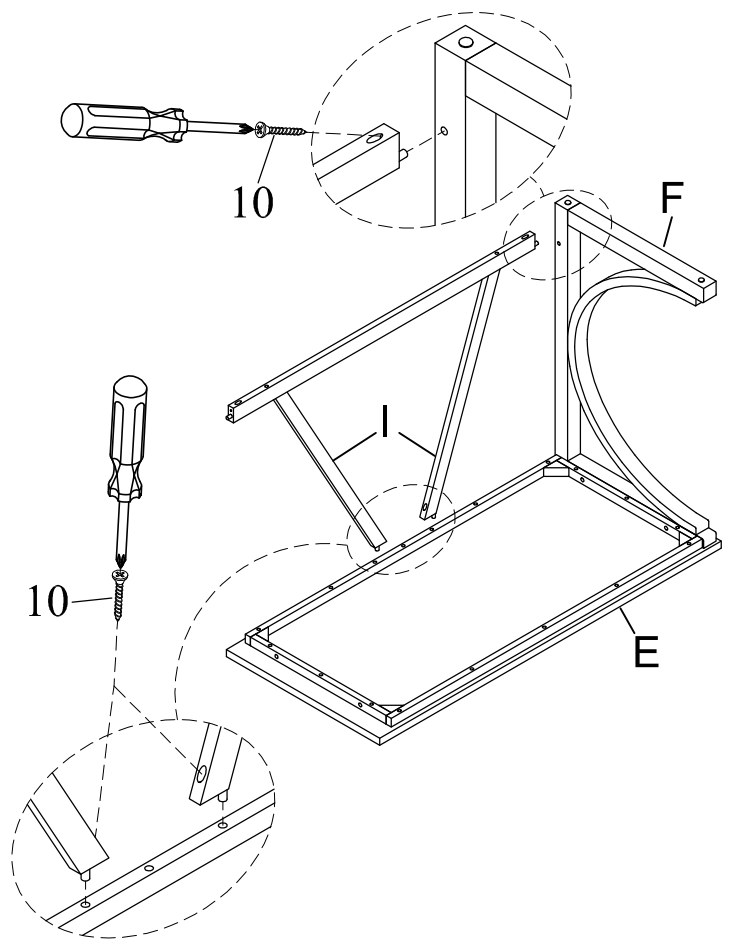
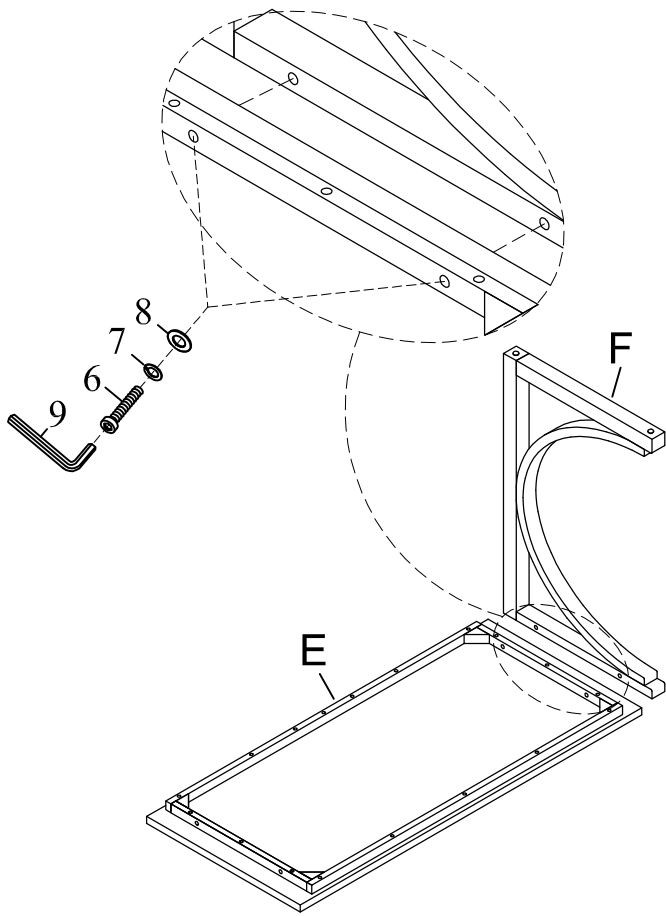


### COMPLETED

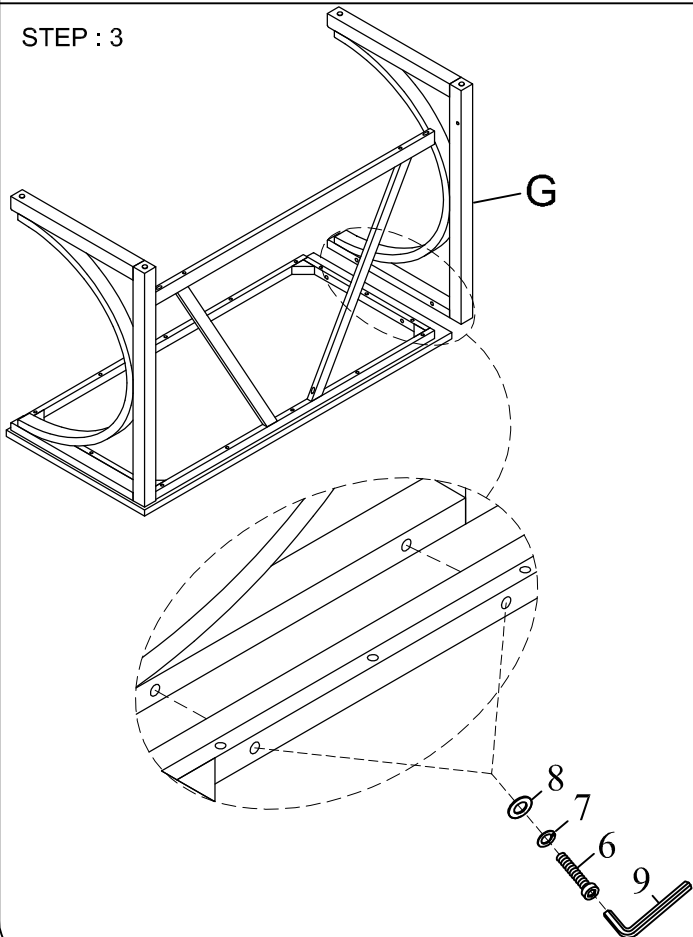


Assembly Instruction for  
BAR TABLE SINGLE PACK (TABLE + 3 STOOLS)

CXY2365-01-02-03



STEP : 3



COMPLETED

