





Assembly Instruction for

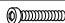






TEA TABLE

CXY2342-01-03

⚠ WARNING: To avoid serious personal injury:

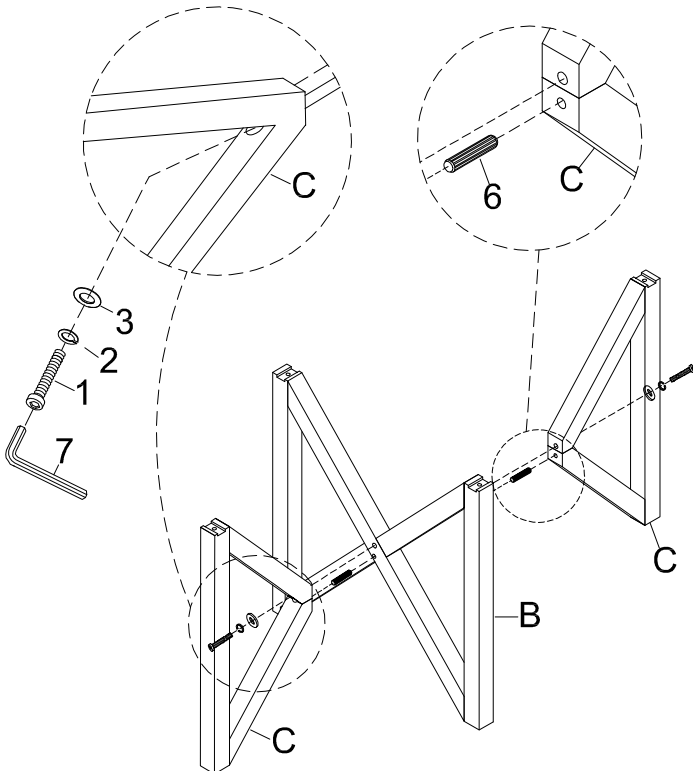
- Carefully and strictly follow assembly instructions. Improper assembly of furniture can result in structural failure, instability of the product, or tip-over.
- Monitor and carefully control the assembly components. These include small parts and hardware that may present a choking hazard to small children. Bob's furniture should be assembled only by responsible adults and children should not be involved in the assembly process.
- Where provided, wall mounting hardware should always be used as prescribed in these instructions to anchor furniture to walls. Proper use of the wall mounting hardware can significantly reduce the potential for furniture tip-over and crushing injuries.

PART LIST			
No.		PART DESC	Q'TY
A		END TABLE ROUND TOP FRAME	2
B		END TABLE CENTER LEG	2
C		END TABLE SIDE LEG	4
D		END TABLE GLASS TOP	2

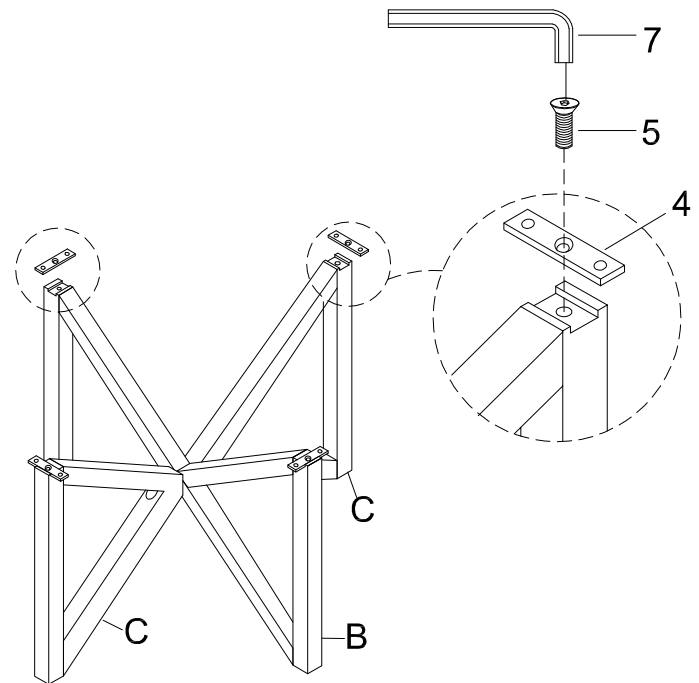
HARDWARE LIST			
NO.		HARDWARE DESC	Q'TY
1		ALLEN BOLT (1/4"-20 x 1-3/4")	4
2		SPRING WASHER(1/4")	4
3		FLAT WASHER (1/4"-20 x 5/8")	4
4		BRACKET (4"x1-3/16" x 1/8")	8
5		ALLEN BOLT (1/4" x 3/4")	24
6		WOOD DOEWELS (Ø8 x1-3/16")	4
7		ALLEN KEY(M4)	1

⚠ Only tighten all bolts when all bolts aligned with bolt inserts.

STEP : 1

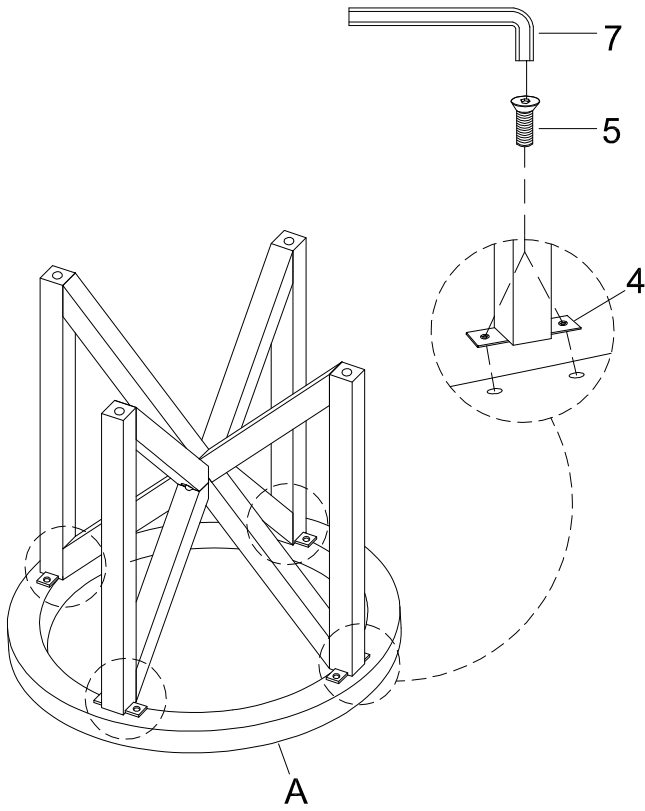


STEP : 2

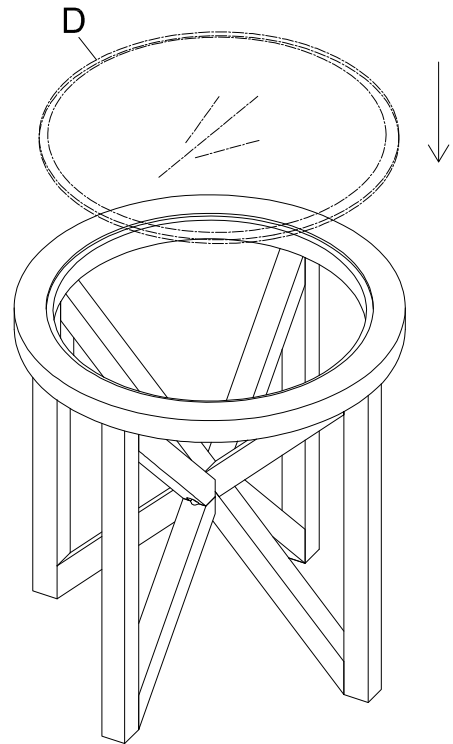


Assembly Instruction for
TEA TABLE
CXY2342-01-03

STEP : 3



STEP : 4



COMPLETED

