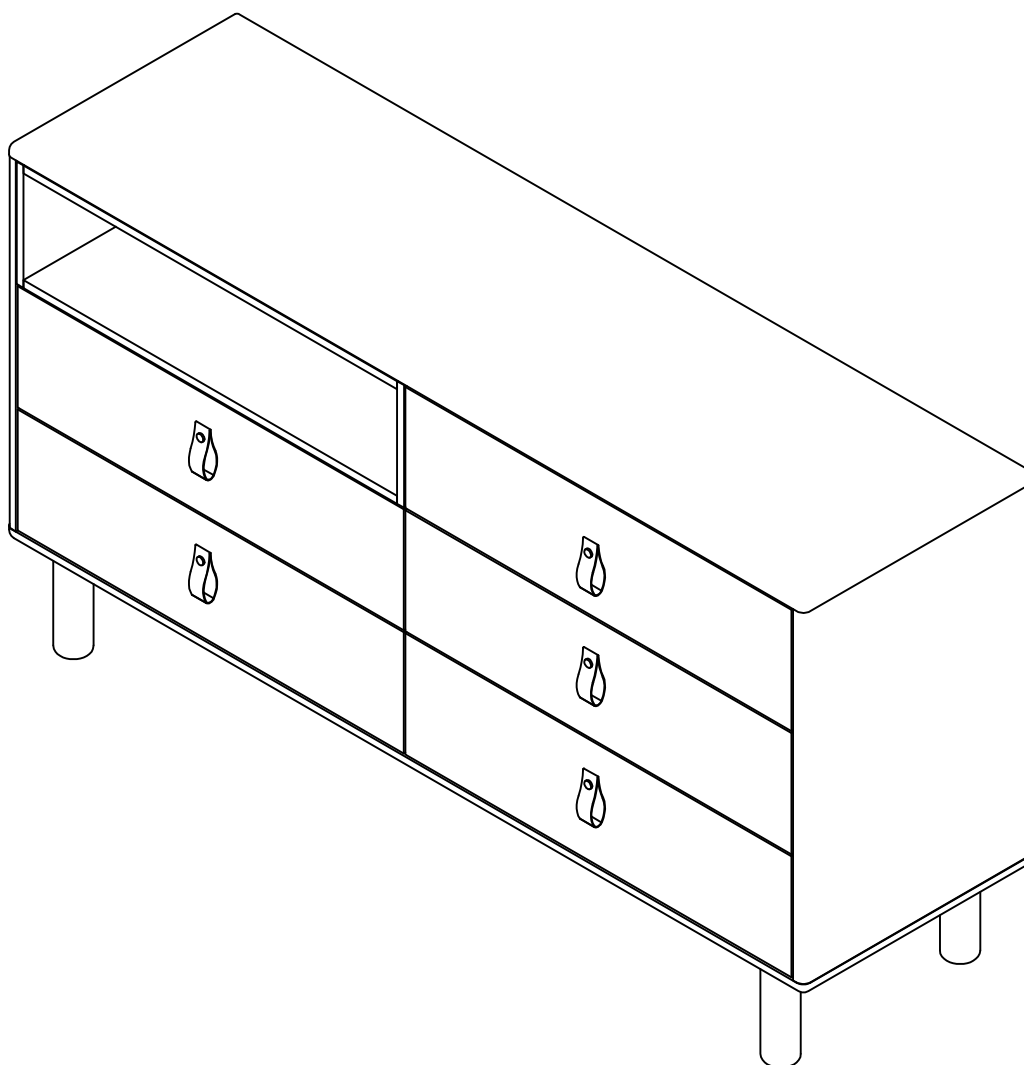
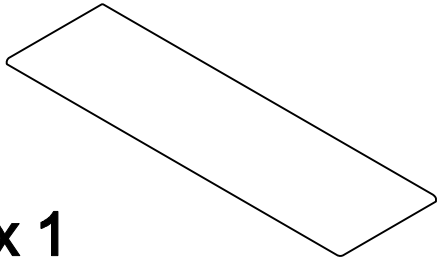


# ASSEMBLY INSTRUCTION

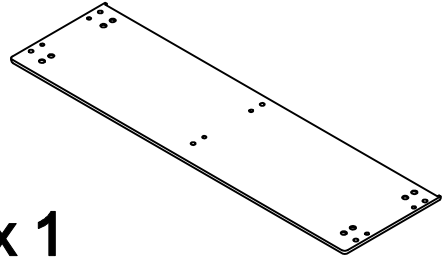


# Hardware List

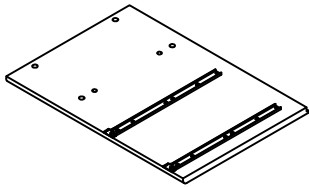
① x 1



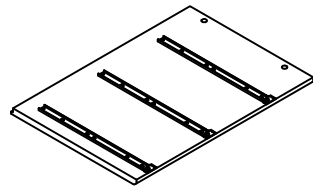
② x 1



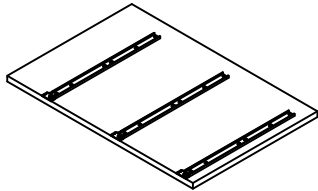
③ x 1



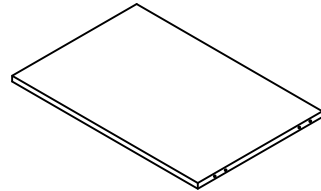
④ x 1



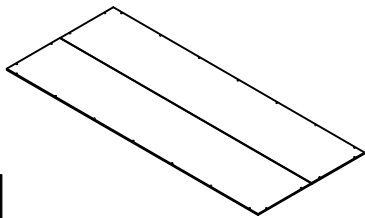
⑤ x 1



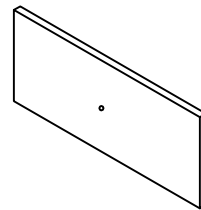
⑥ x 1



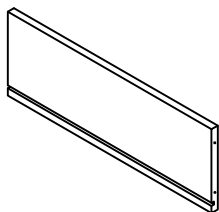
⑦ x 1



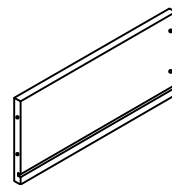
⑧ x 2



⑨ x 2

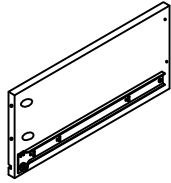


⑩ x 5

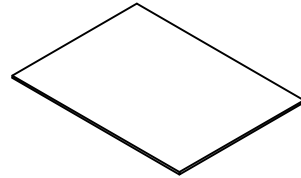


# Hardware List

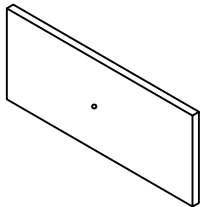
11 x 5



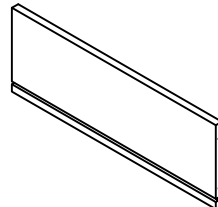
12 x 2



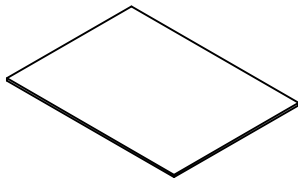
13 x 3



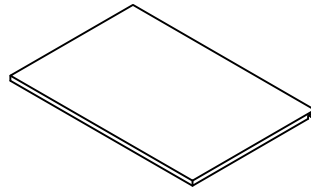
14 x 3



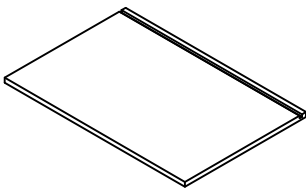
15 x 3



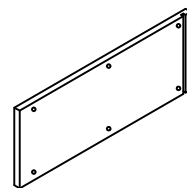
16 x 1



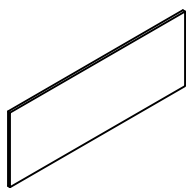
17 x 1



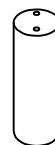
18 x 2



19 x 1



20 x 4



## Hardware List

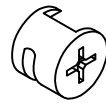
21 x 1



22 x 20



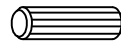
23 x 10



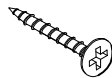
24 x 30



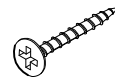
25 x 16



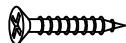
26 x 6



27 x 32



28 x 22



29 x 5



30 x 8



31 x 8



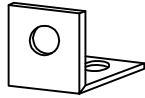
32 x 8



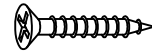
33 x 1



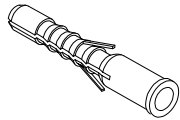
## Tip Restraint Kit



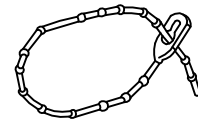
**a x 4**



**b x 8**

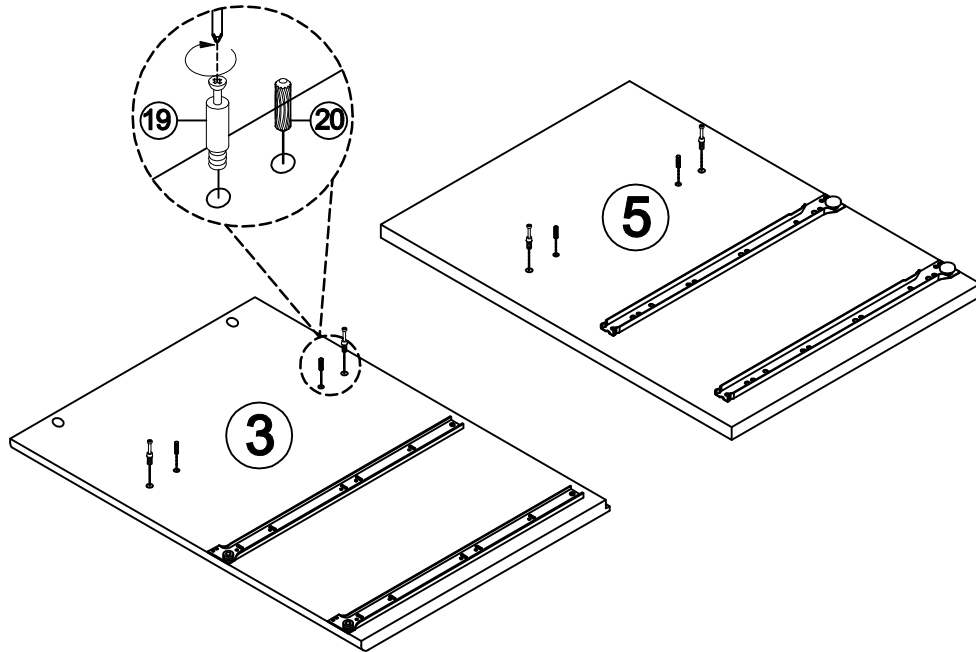


**C x 2**

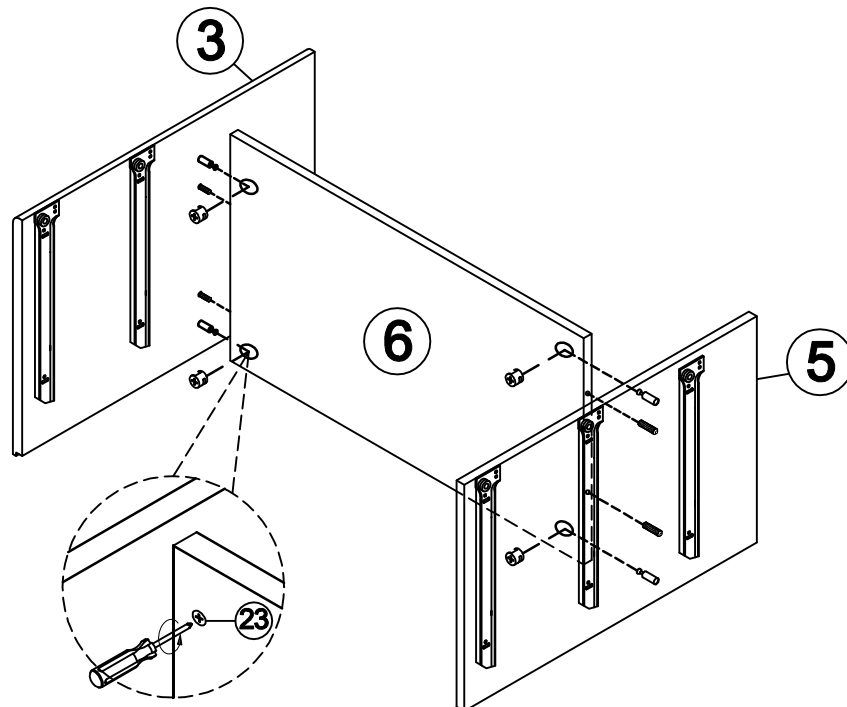


**D x 2**

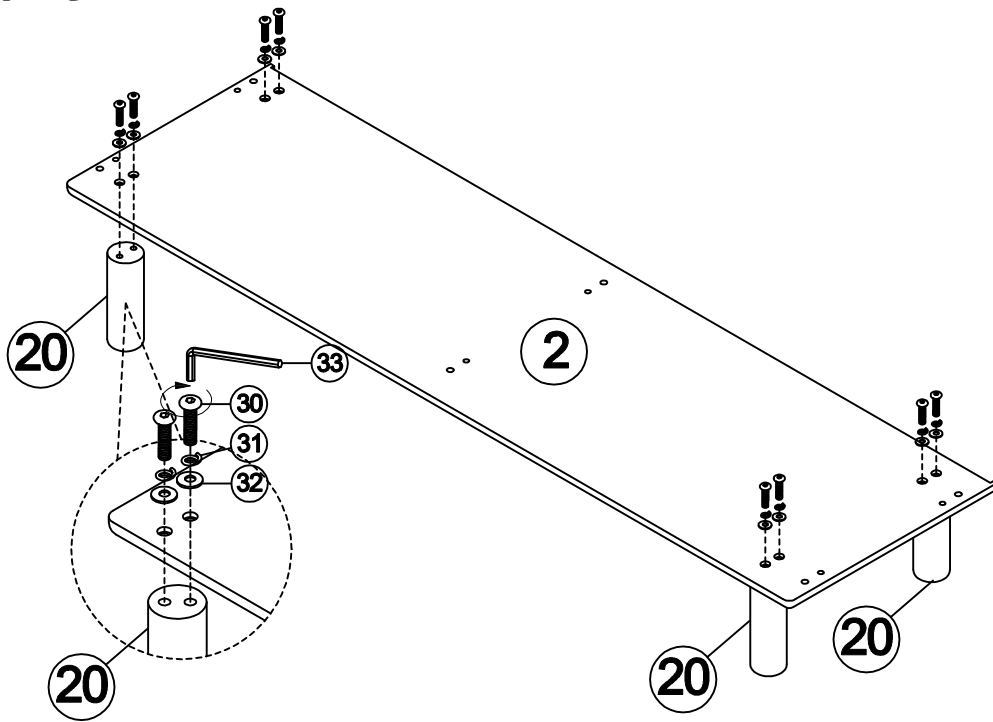
## step 1



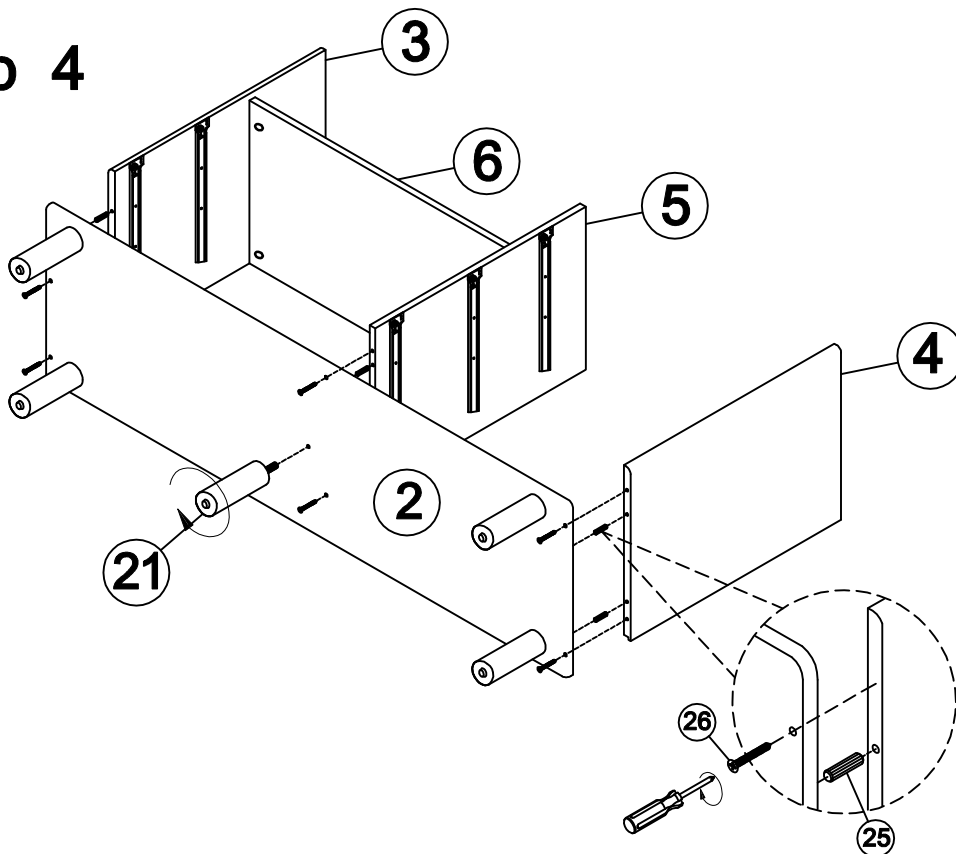
## step 2



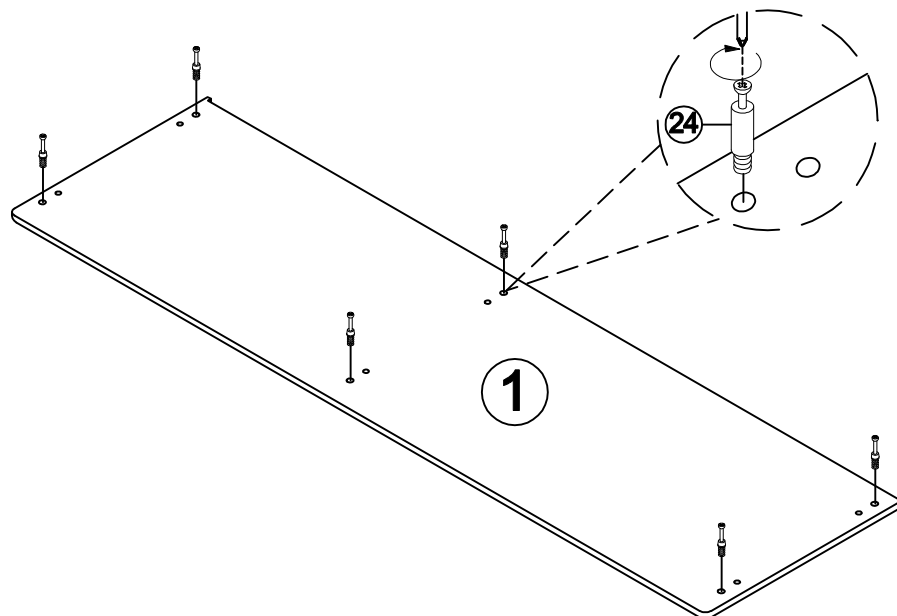
### step 3



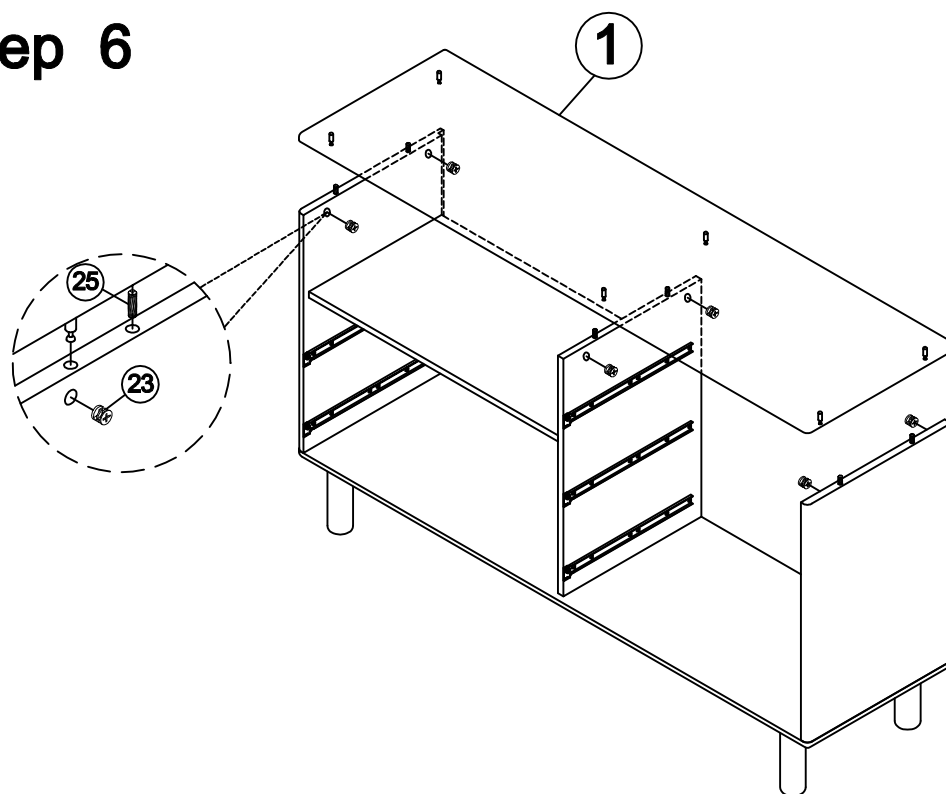
### step 4



## step 5

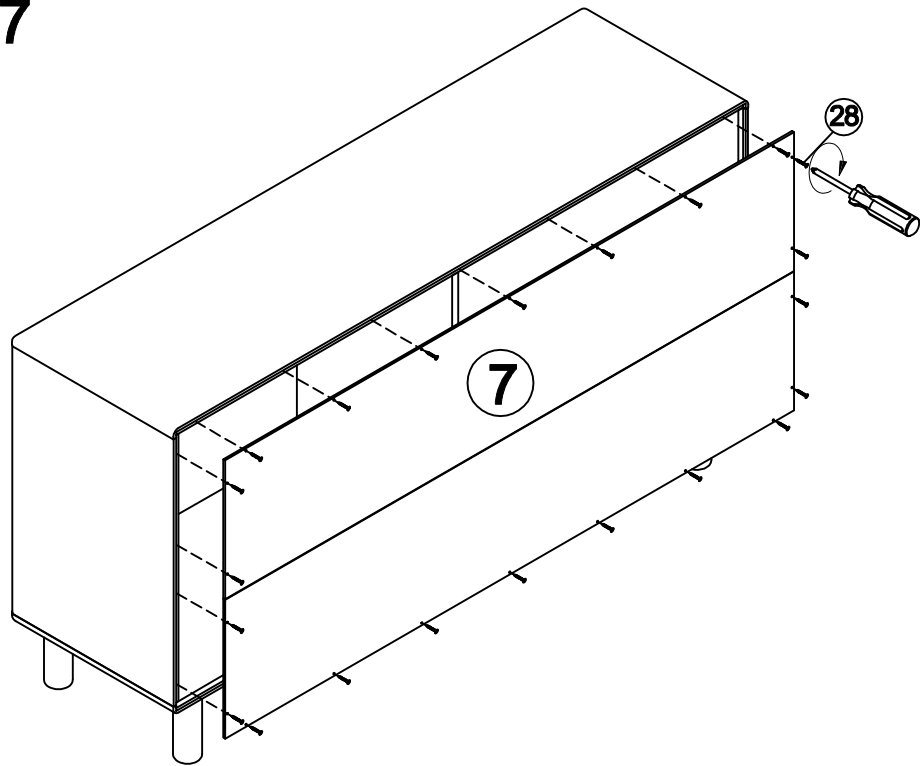


## step 6



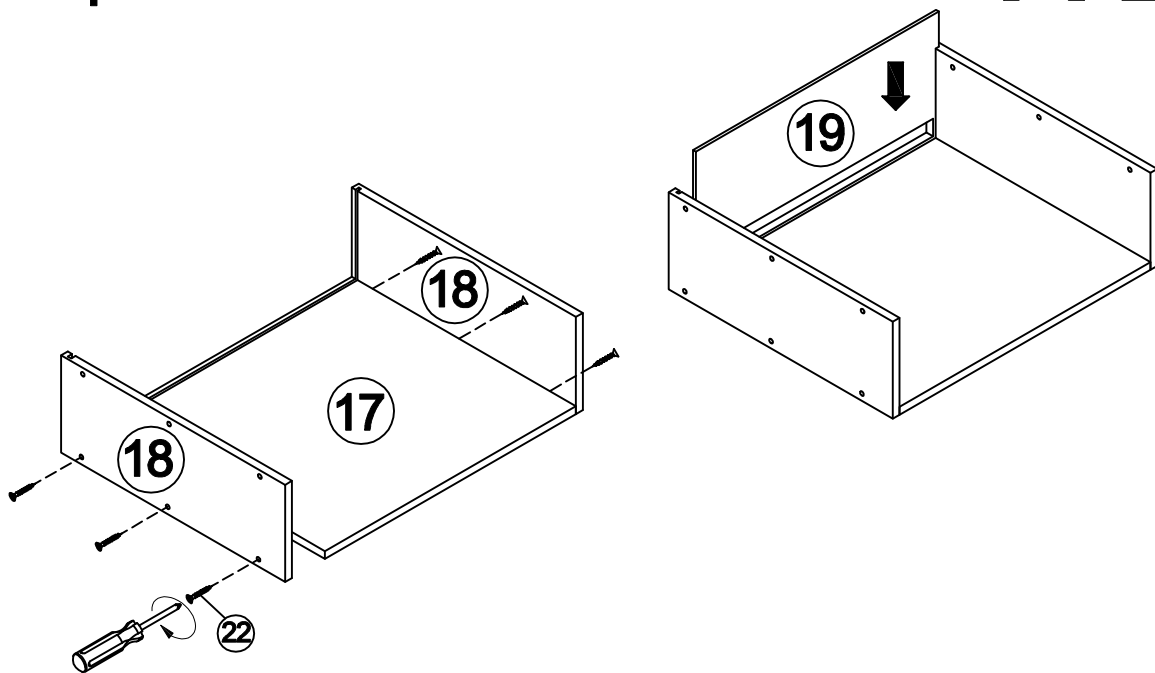


step 7

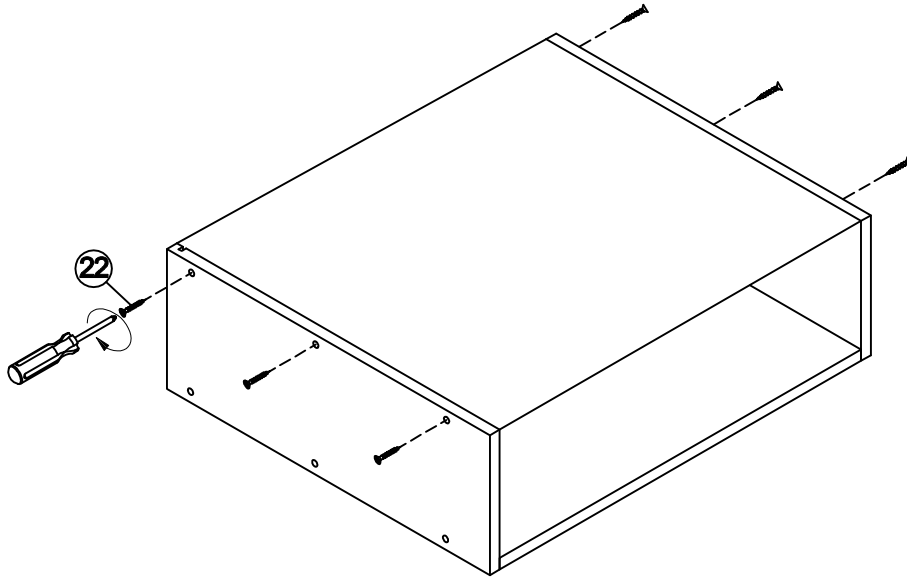


step 8

X 2

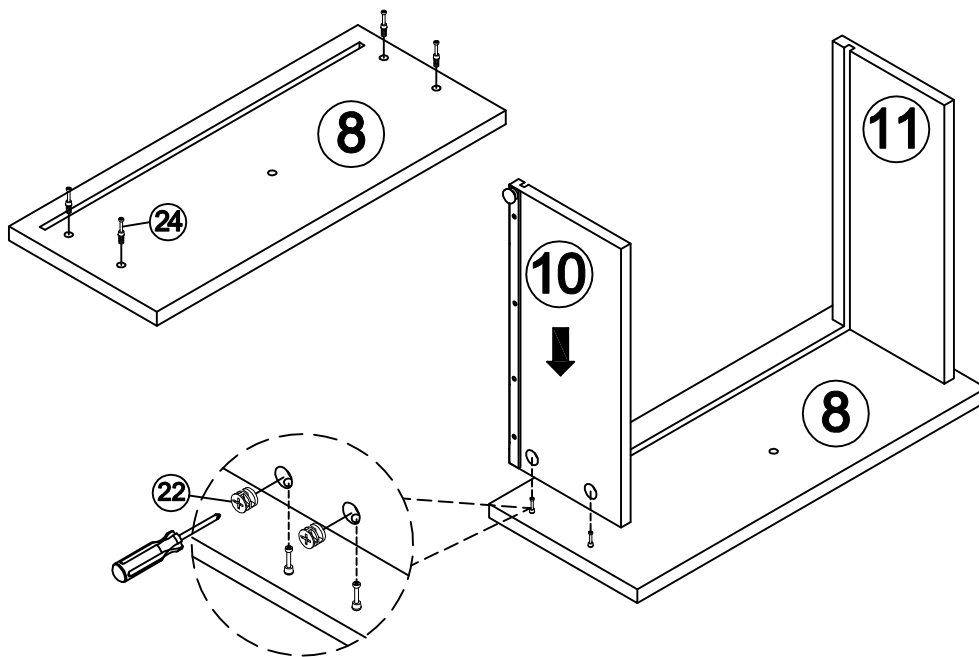


step 9



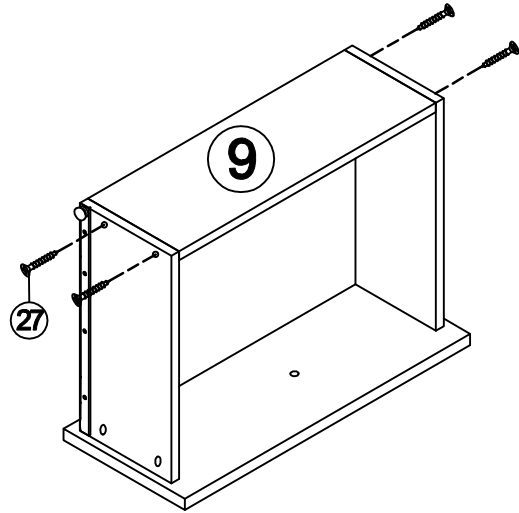
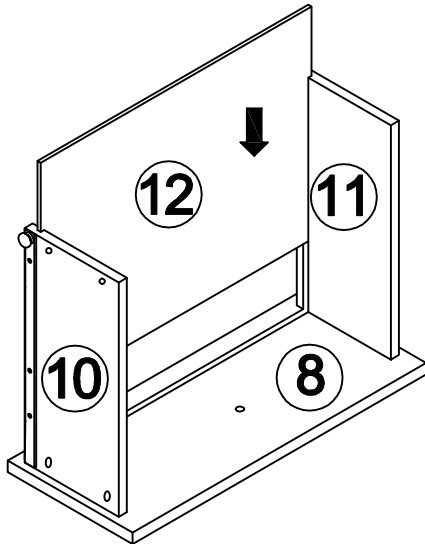
step 10

X 2



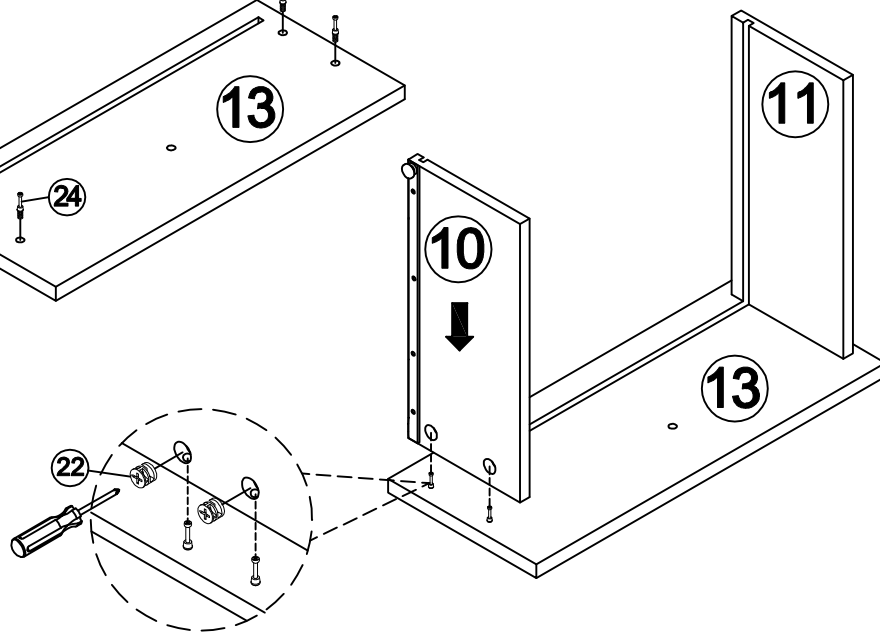
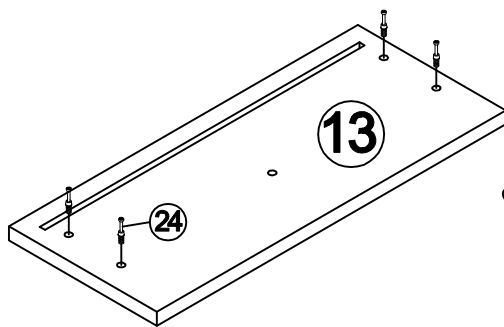
step 11

X 2



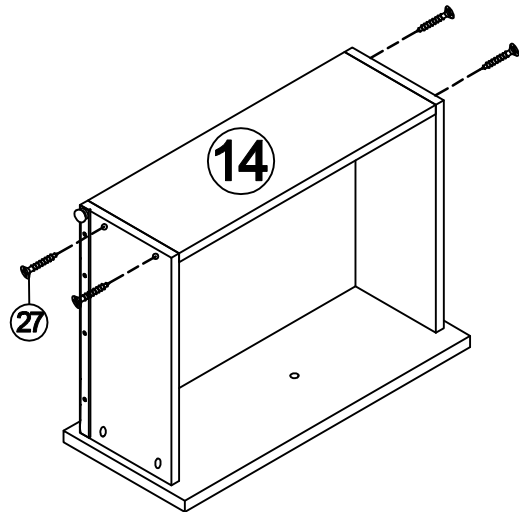
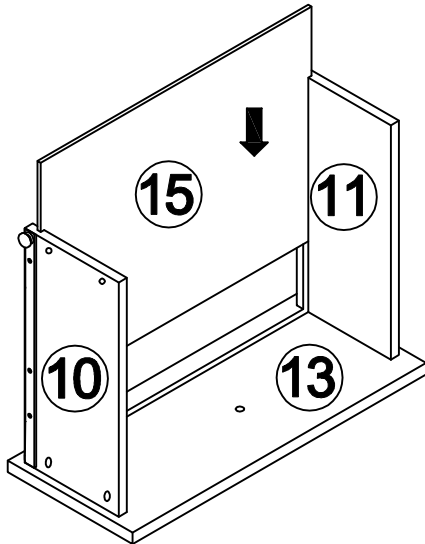
step 12

X 3



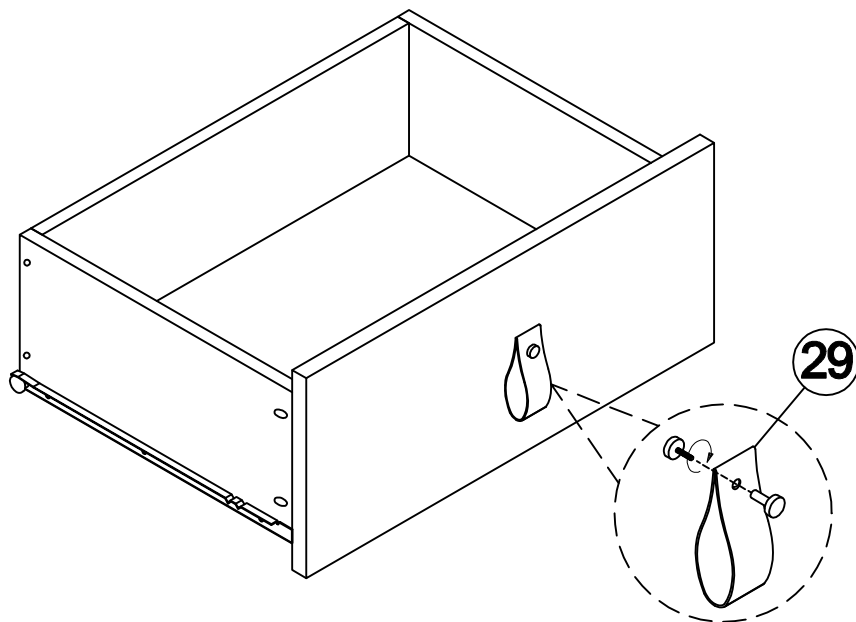
step 13

X 3

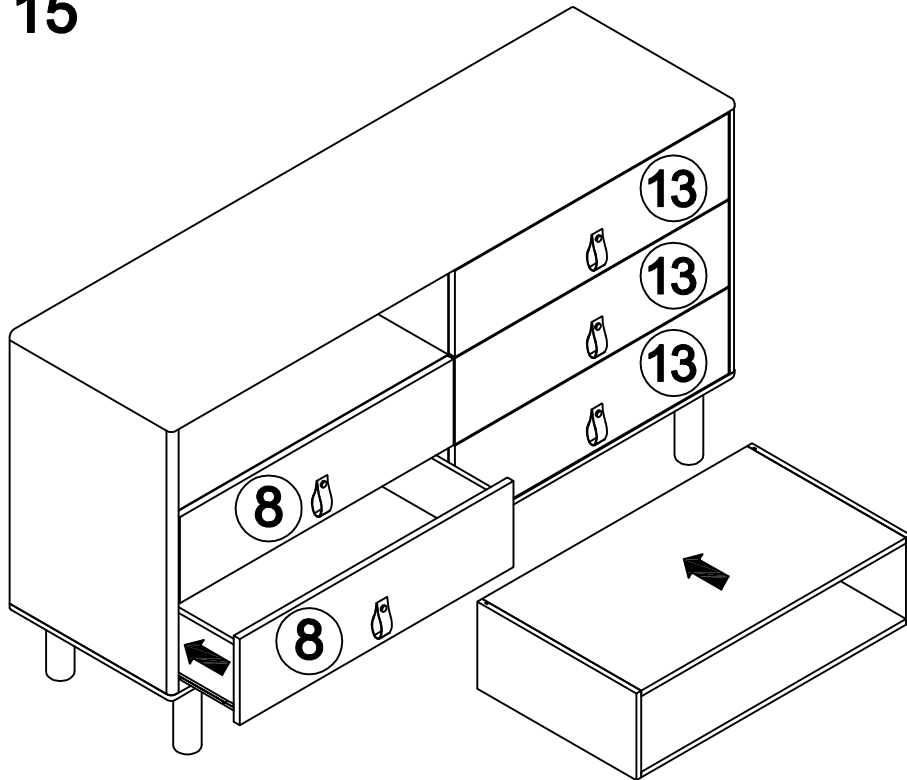


step 14

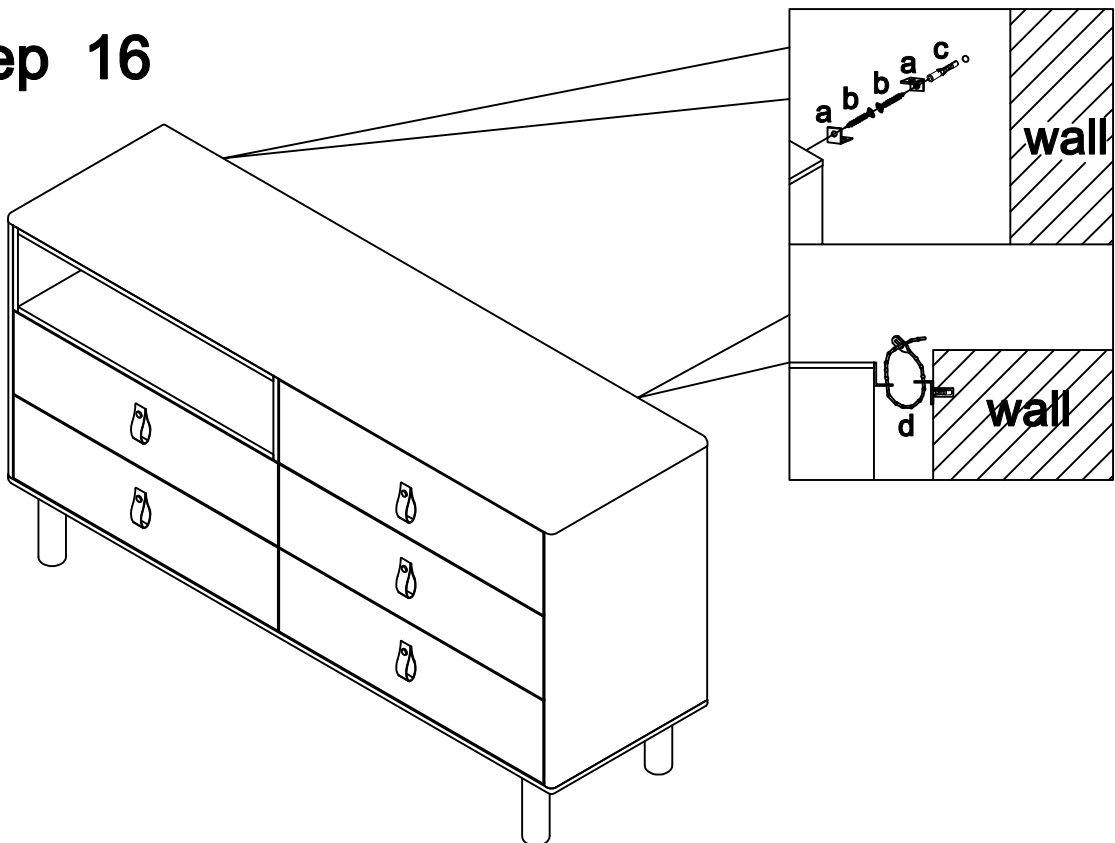
X 5



**step 15**



**step 16**



**step 17**

