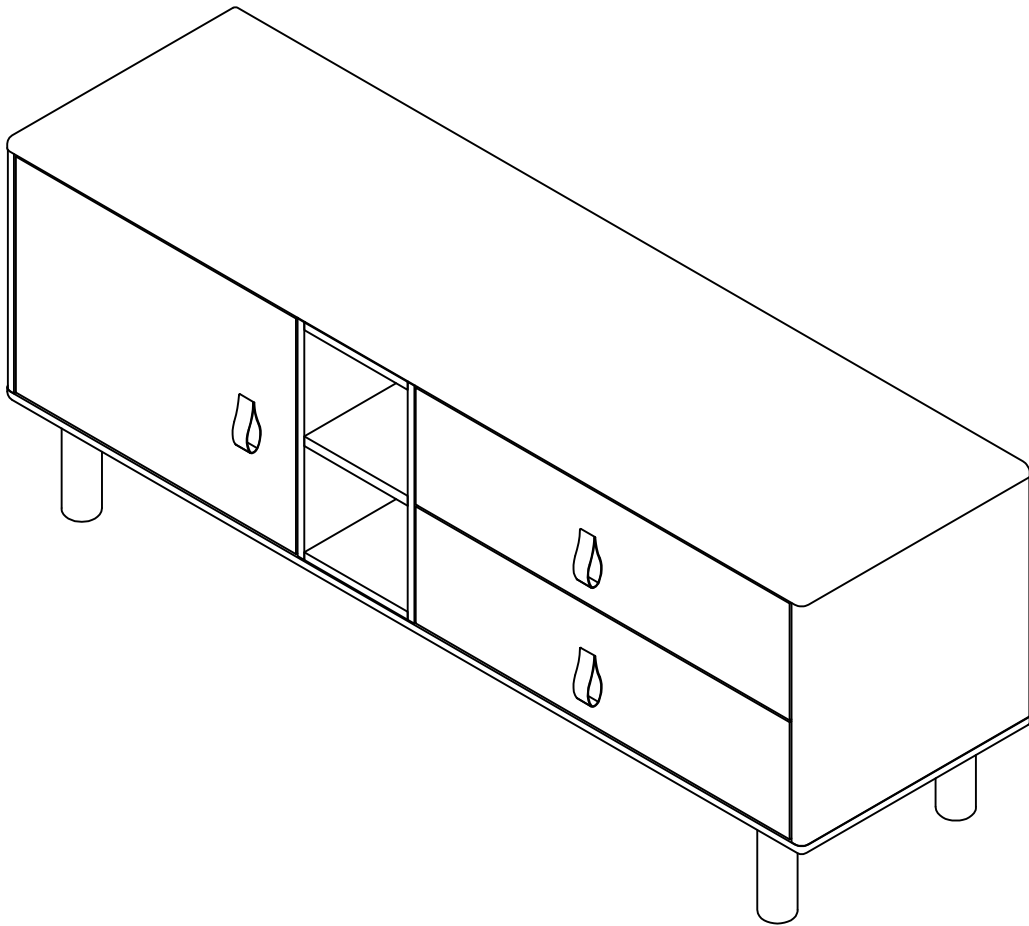
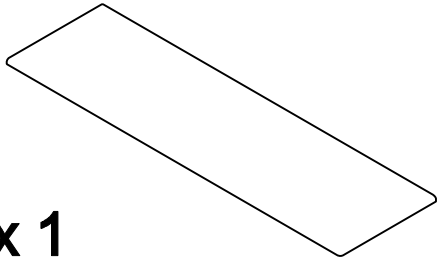


ASSEMBLY INSTRUCTION

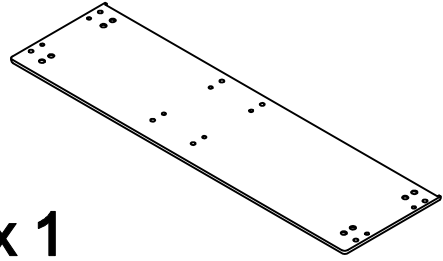


Hardware List

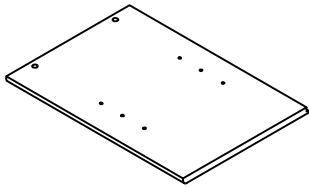
① x 1



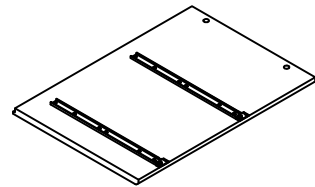
② x 1



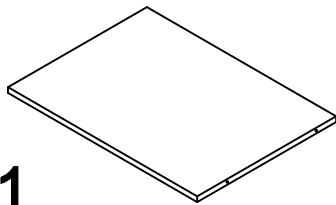
③ x 1



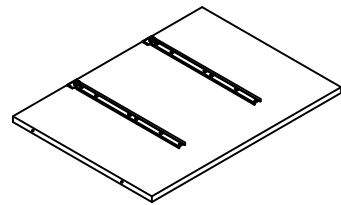
④ x 1



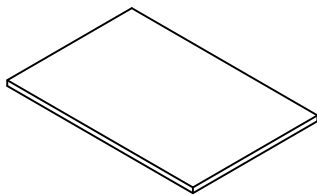
⑤ x 1



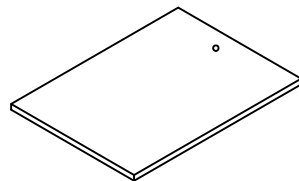
⑥ x 1



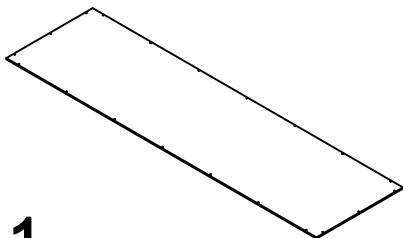
⑦ x 1



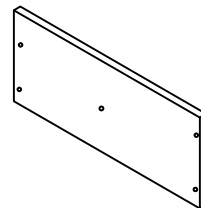
⑧ x 1



⑨ x 1

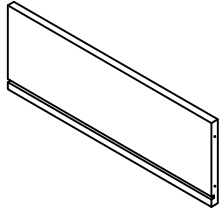


⑩ x 2

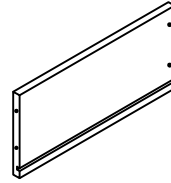


Hardware List

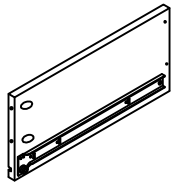
11 x 2



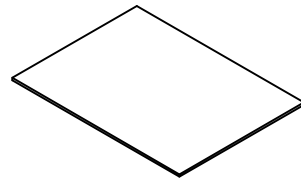
12 x 2



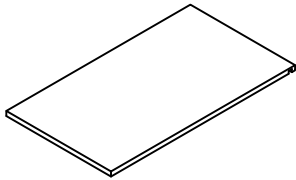
13 x 2



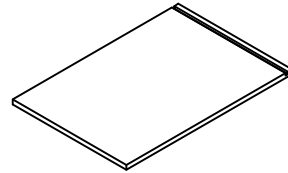
14 x 2



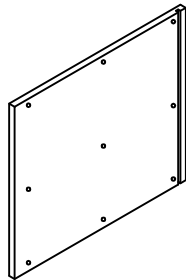
15 x 1



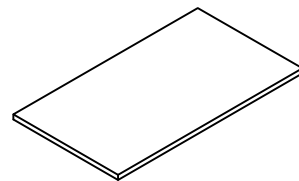
16 x 1



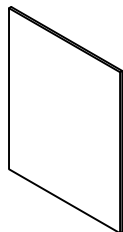
17 x 2



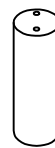
18 x 1



19 x 1



20 x 4



Hardware List

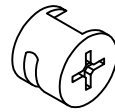
21 x 1



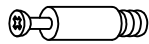
22 x 8



23 x 8



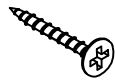
24 x 16



25 x 16



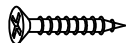
26 x 8



27 x 26



28 x 20



29 x 3



30 x 4



31 x 1



32 x 2



33 x 12



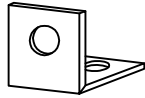
34 x 8



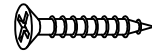
35 x 8



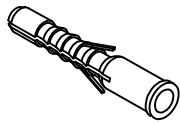
Tip Restraint Kit



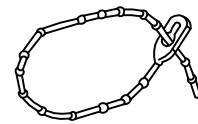
a x 4



b x 4

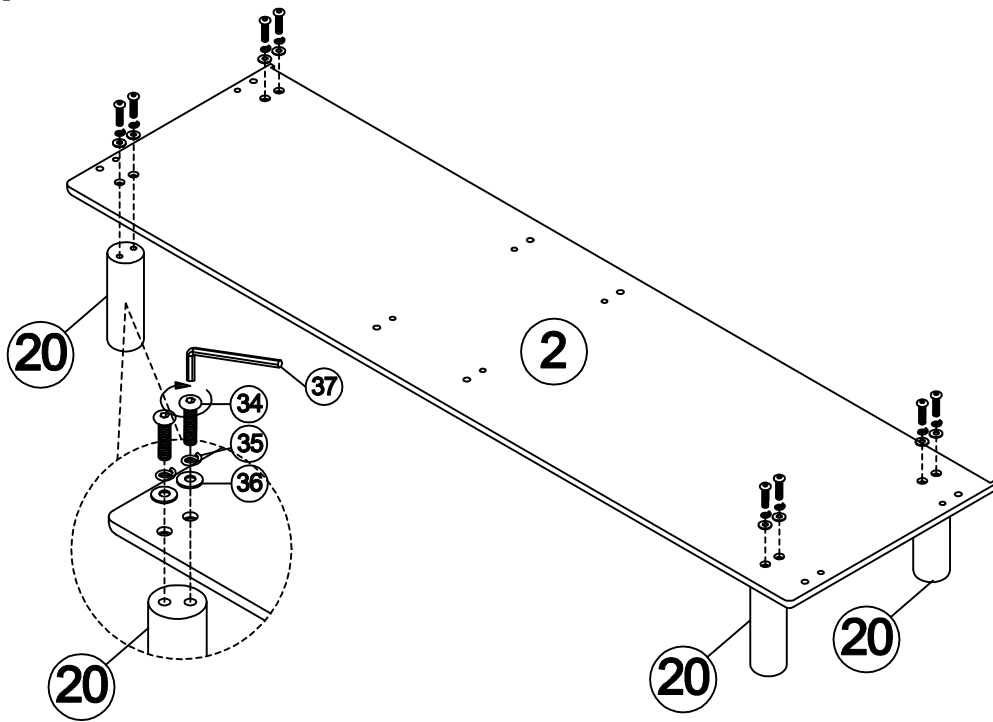


C x 2

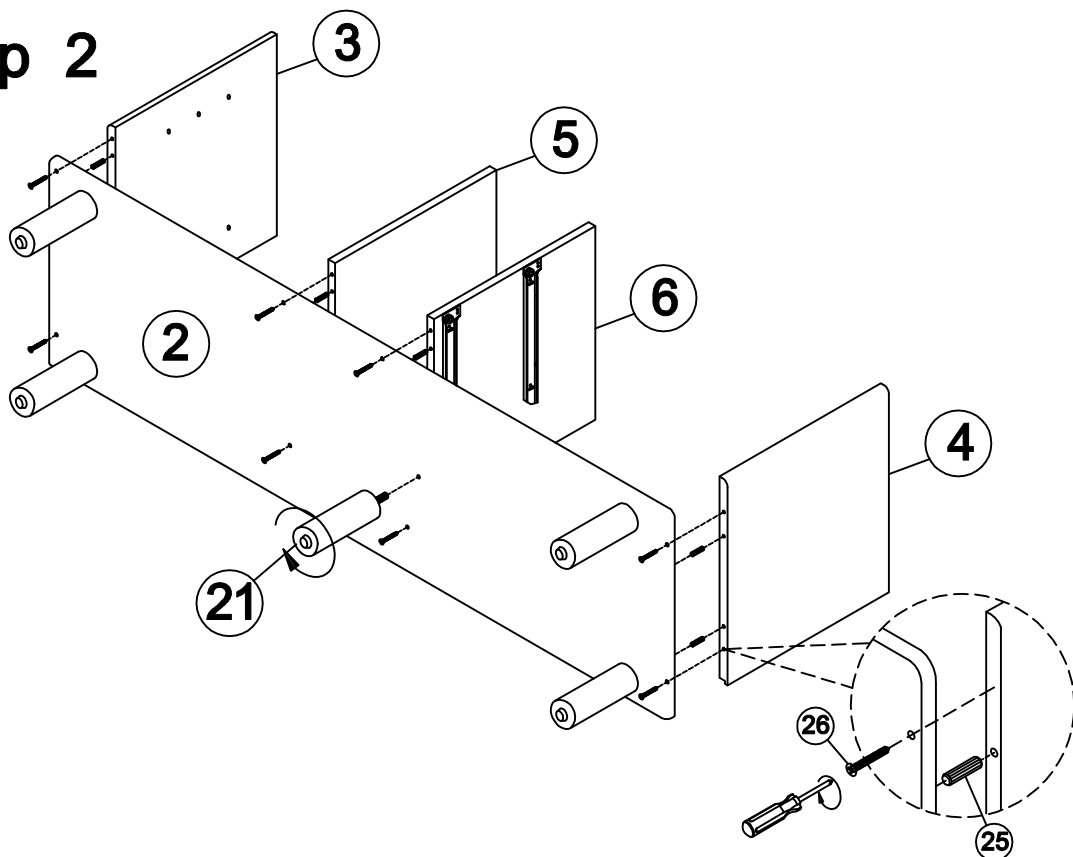


D x 2

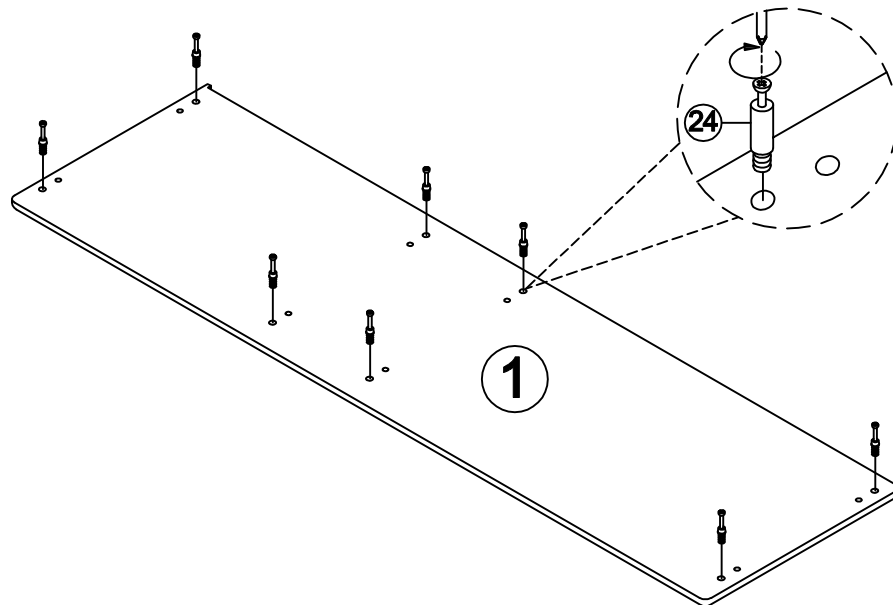
step 1



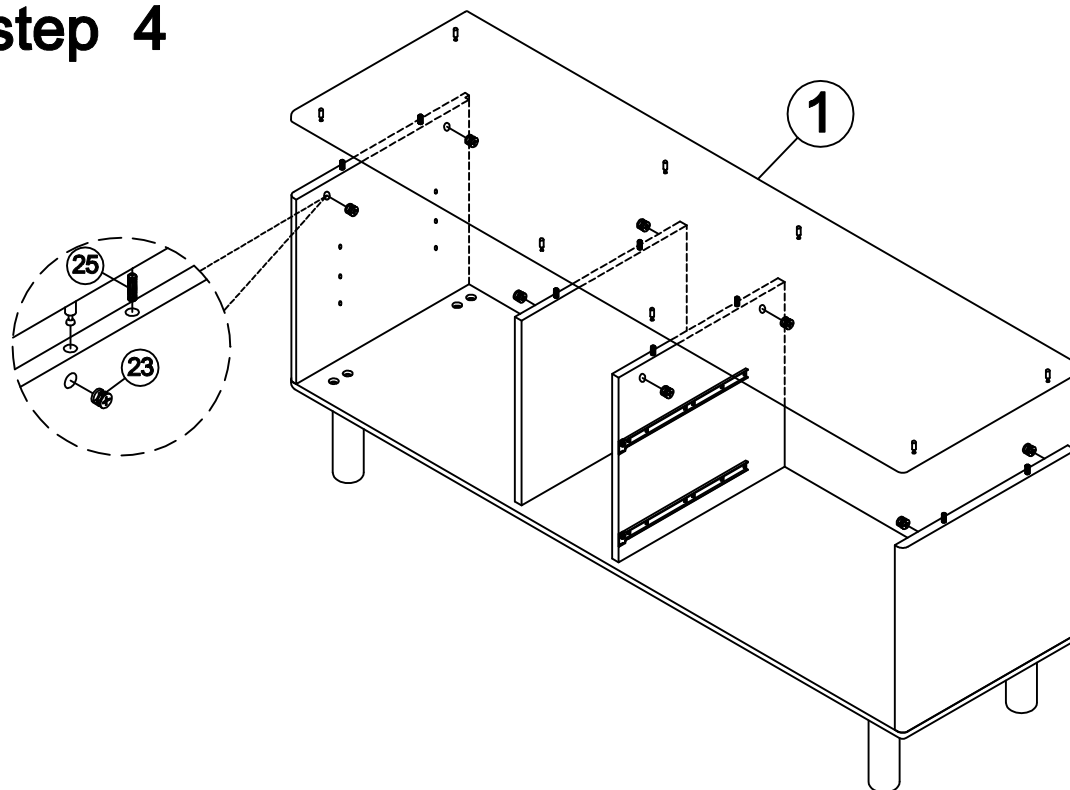
step 2



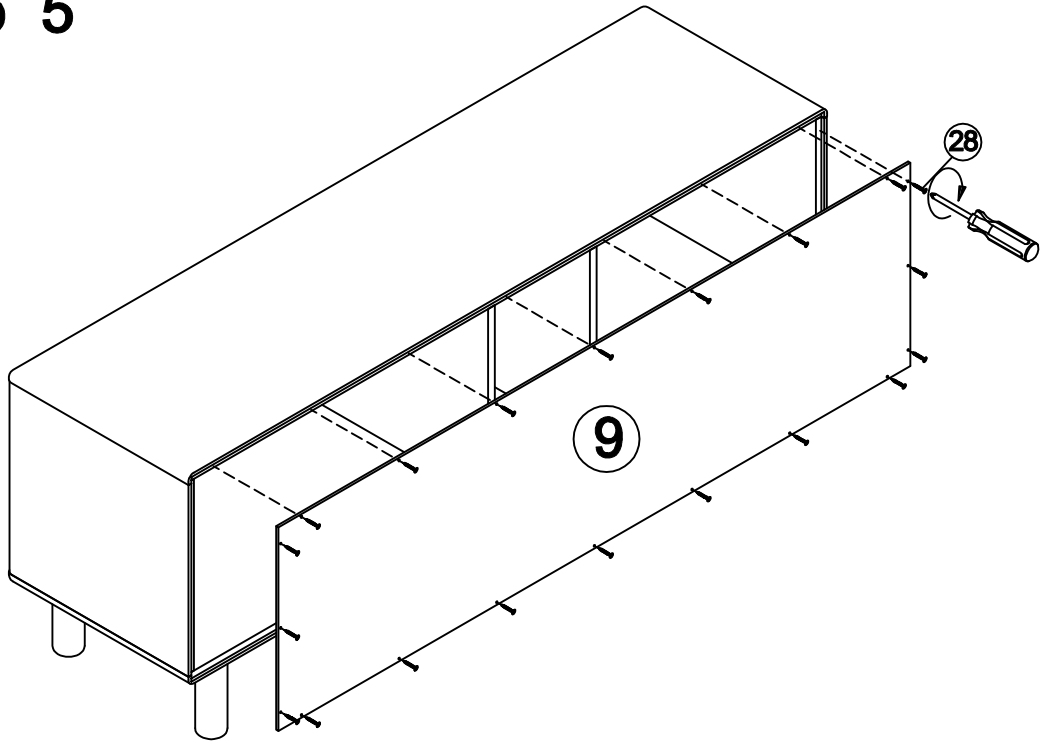
step 3



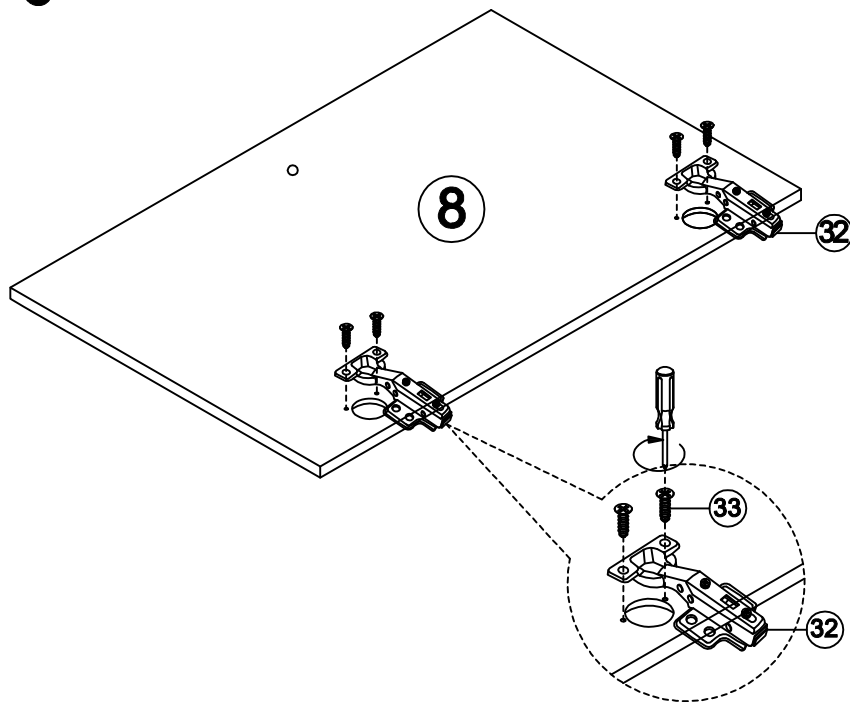
step 4



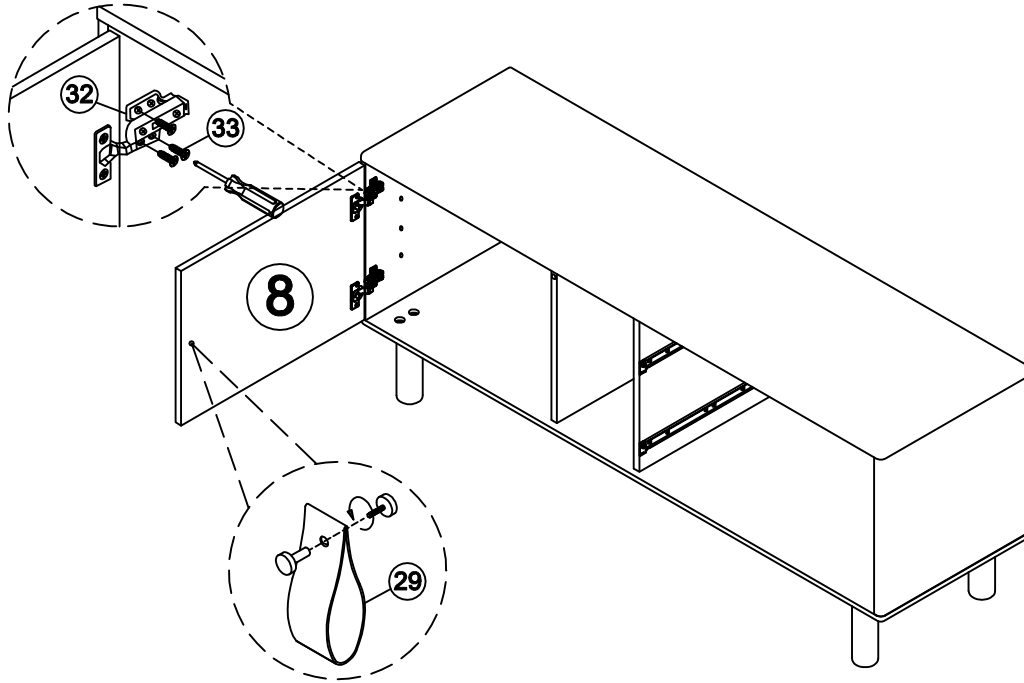
step 5



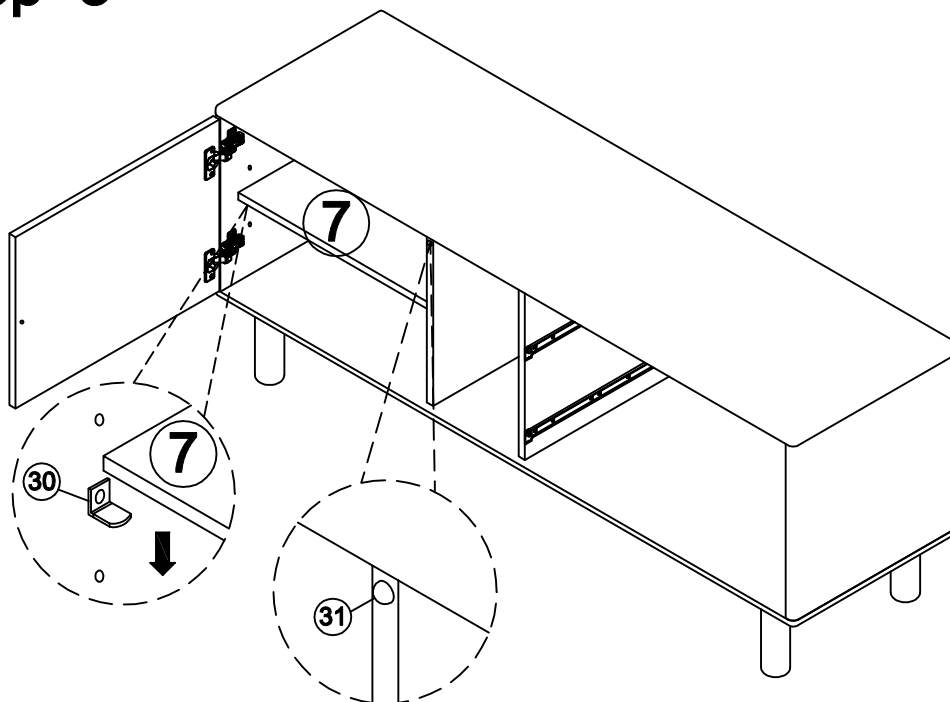
step 6



step 7

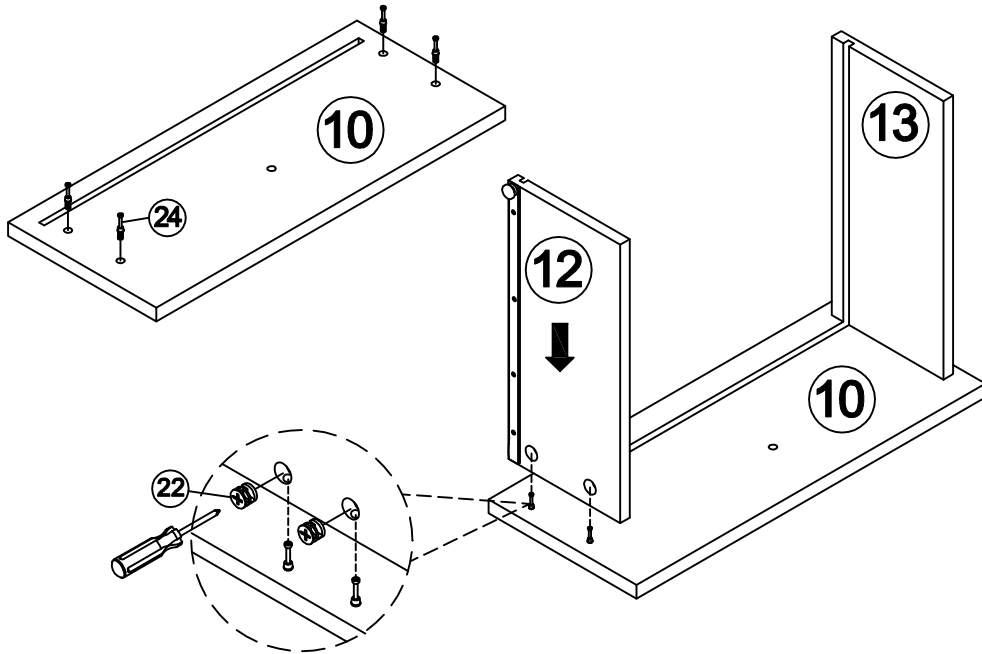


step 8



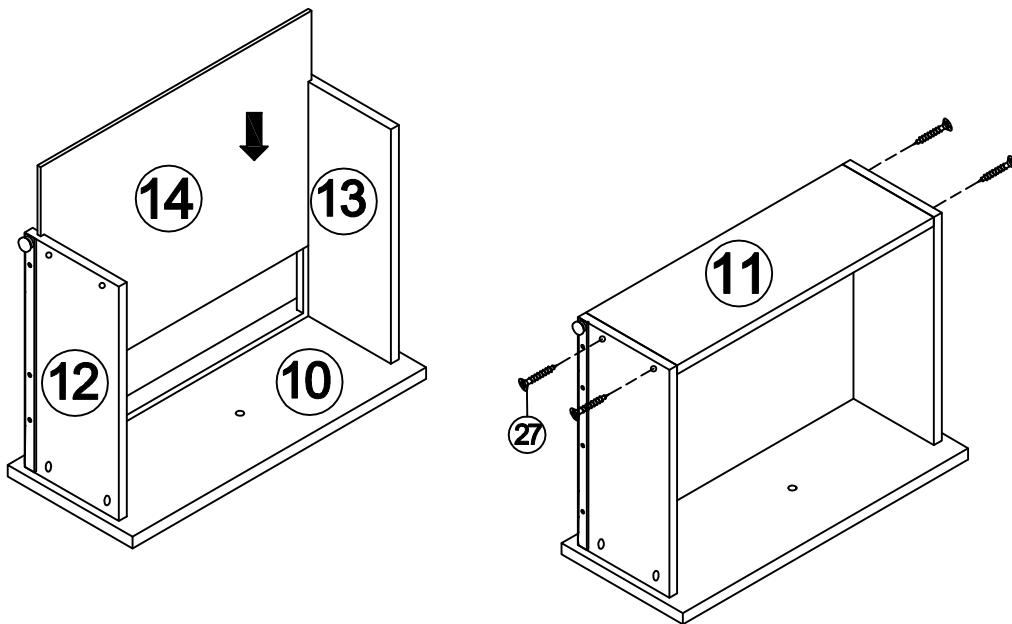
step 11

X 2



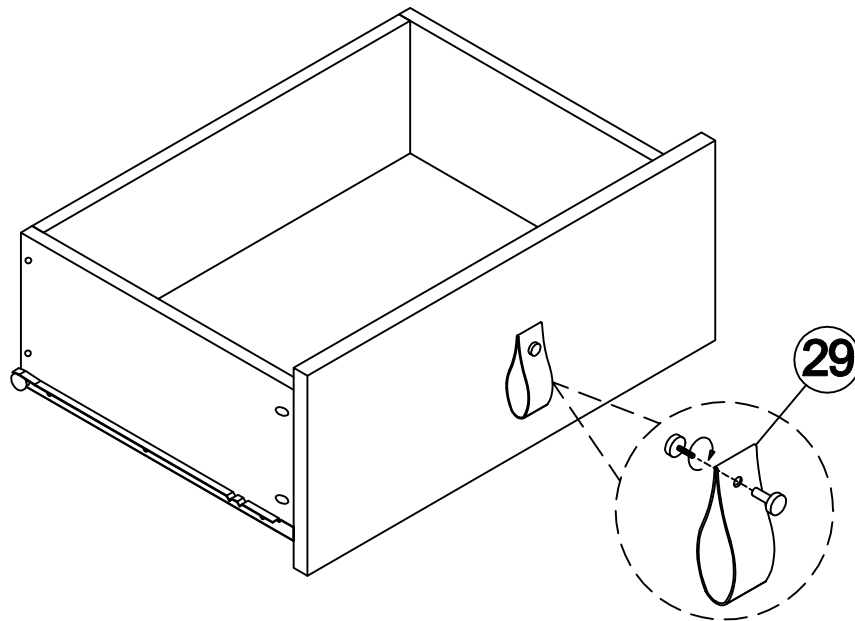
step 12

X 2

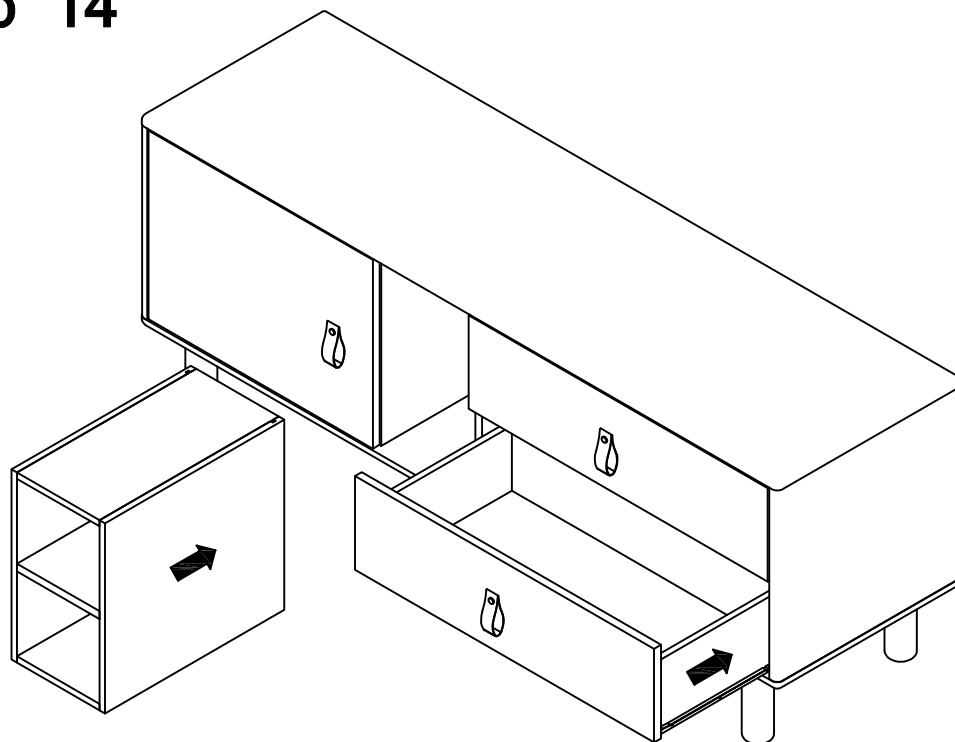


step 13

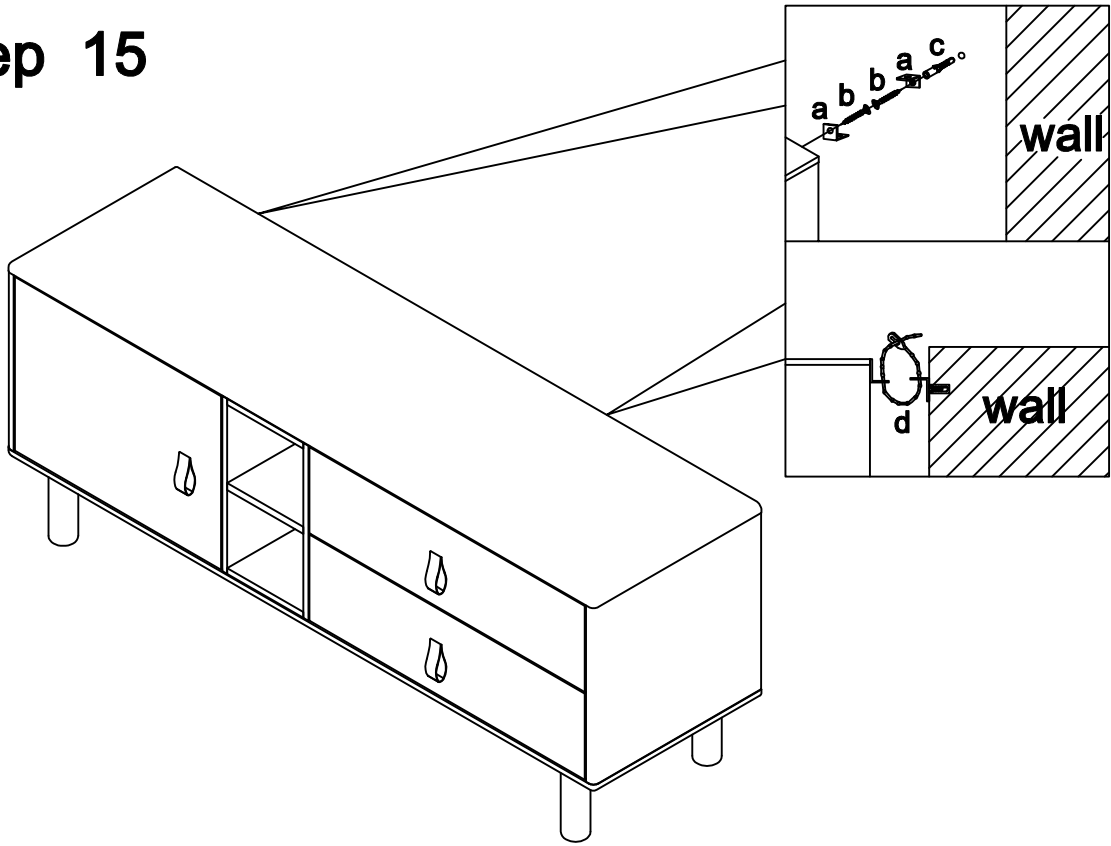
X 2



step 14



step 15



step 16

